



US00D854518S

(12) **United States Design Patent**
Zhang et al.

(10) **Patent No.:** **US D854,518 S**

(45) **Date of Patent:** **** *Jul. 23, 2019**

(54) **REMOTE CONTROL**

(71) Applicant: **Comcast Cable Communications, LLC**, Philadelphia, PA (US)

(72) Inventors: **Zhe Zhang**, New York, NY (US); **Neil Epstein**, Philadelphia, PA (US); **Henry Homza**, Philadelphia, PA (US); **Michael Jou**, Philadelphia, PA (US); **Fraser Stirling**, Mawr, PA (US); **Thomas Loretan**, Philadelphia, PA (US)

(73) Assignee: **Comcast Cable Communications, LLC**, Philadelphia, PA (US)

(*) Notice: This patent is subject to a terminal disclaimer.

(**) Term: **15 Years**

(21) Appl. No.: **29/612,632**

(22) Filed: **Aug. 2, 2017**

(51) **LOC (11) Cl.** **14-03**

(52) **U.S. Cl.**
USPC **D14/218**; D13/168

(58) **Field of Classification Search**
USPC D13/162, 168; D10/49, 104.1, 106.1; D14/140, 216, 217, 218, 358
CPC H03J 1/0025; H03J 9/00; H03J 9/02; H03J 9/04; H03J 9/06; H04B 1/202; G05B 11/01; G05B 19/02; G08C 17/00; G08C 17/02; H01Q 1/007; H04W 52/0206; G06F 3/0116; G02B 27/017; G02B 27/0172

See application file for complete search history.

(56) **References Cited**

U.S. PATENT DOCUMENTS

D406,542 S * 3/1999 Mik D10/104.1
D496,005 S * 9/2004 Wang D13/168

D598,009 S * 8/2009 Painter D14/218
D614,145 S * 4/2010 Arosio D13/168
D673,512 S * 1/2013 Huang D13/168
D700,904 S * 3/2014 Miller D13/168
D701,841 S * 4/2014 Huang D13/168
D702,194 S * 4/2014 Cho D13/162

(Continued)

Primary Examiner — Selina Sikder

(74) *Attorney, Agent, or Firm* — Baker & Hostetler LLP

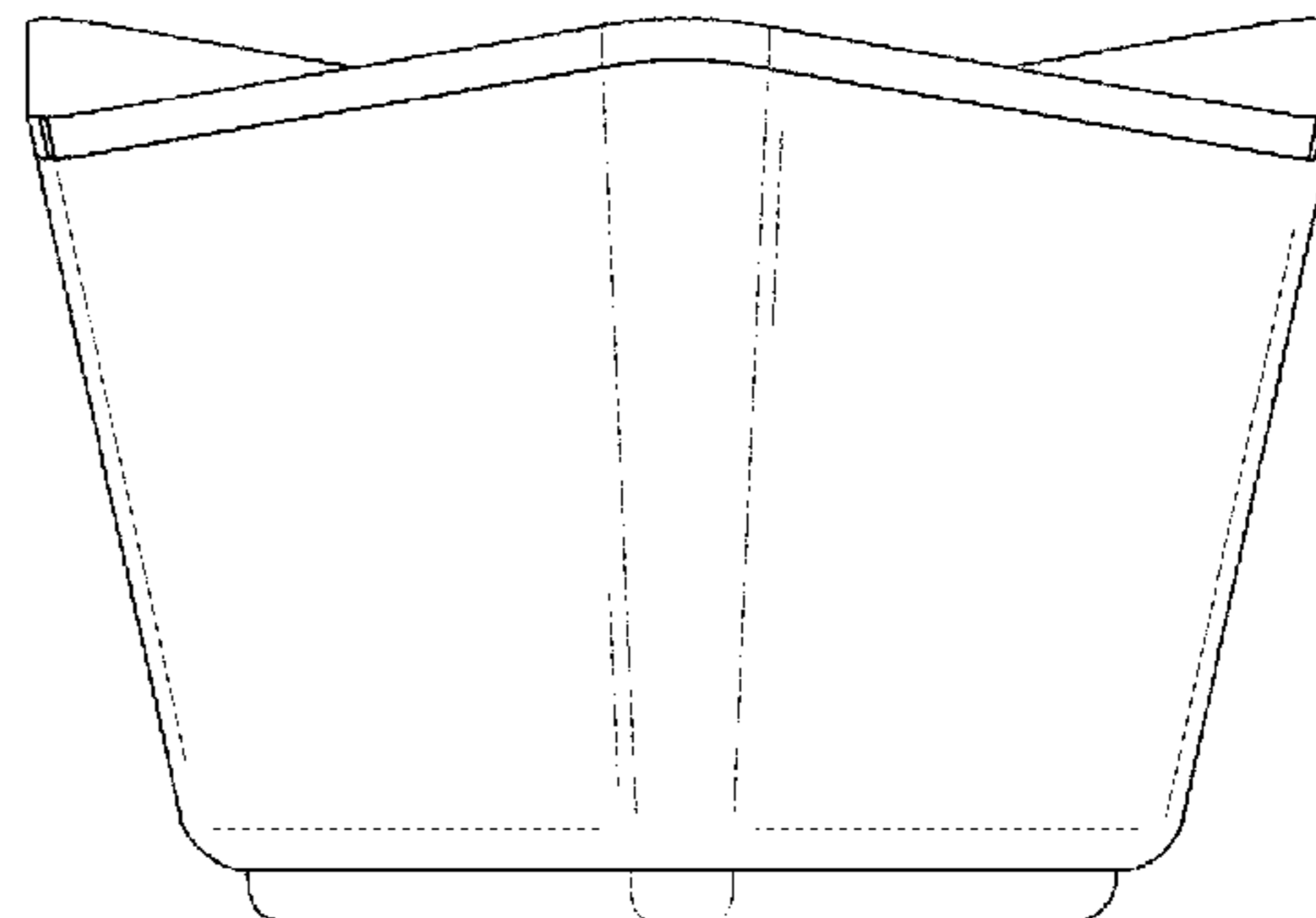
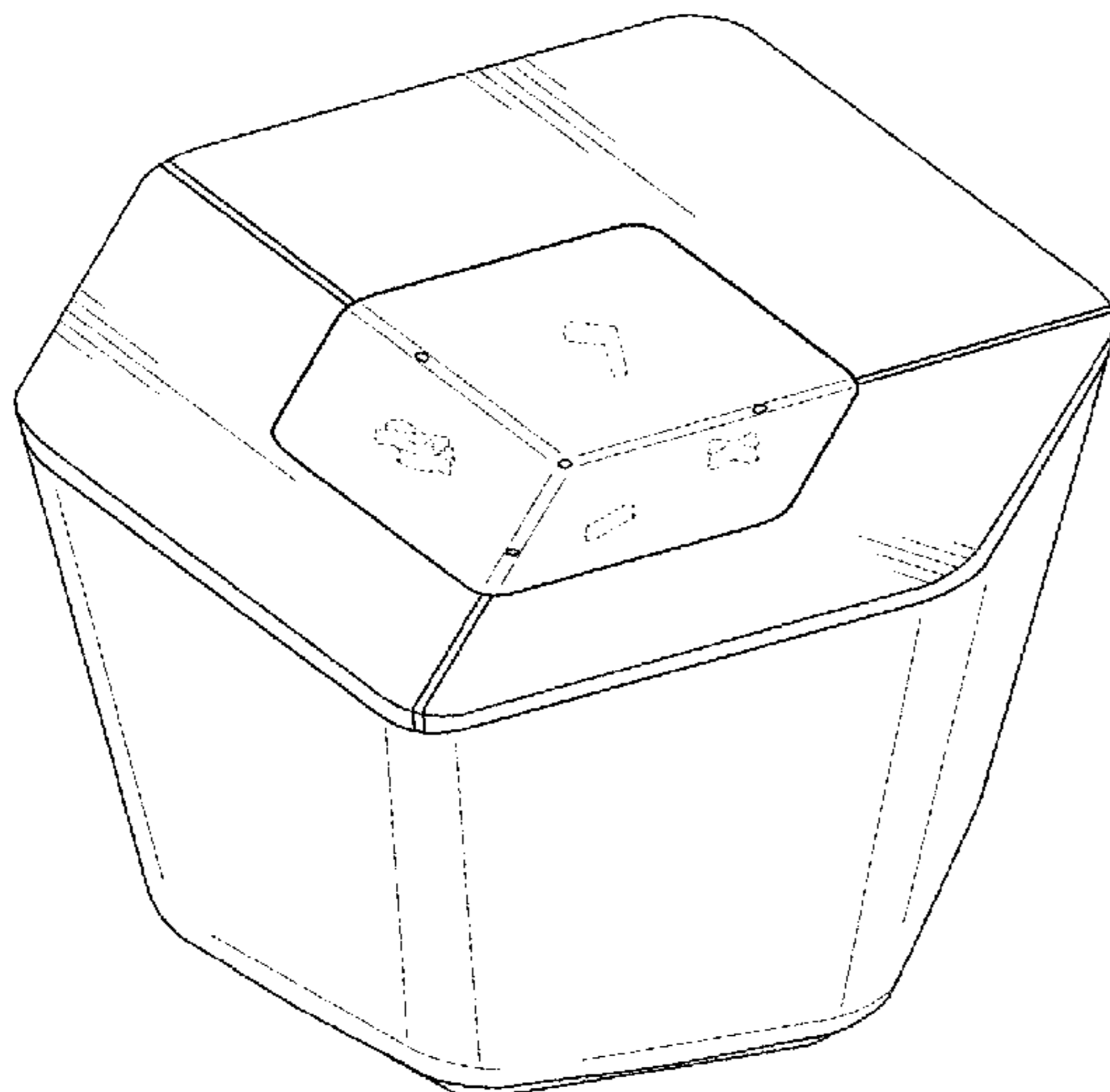
(57) **CLAIM**

The ornamental design for a remote control, as shown and described.

DESCRIPTION

FIG. 1 is a top perspective view of a remote control according to an aspect of the present disclosure; FIG. 2 is a bottom perspective view of the remote control of FIG. 1; FIG. 3 is a bottom perspective view of the remote control of FIG. 2, rotated clockwise relative to the view shown in FIG. 2; FIG. 4 is a bottom perspective view of the remote control of FIG. 2, rotated clockwise relative to the view shown in FIG. 2 and showing a broken line of a power cord; FIG. 5 is a top plan view of the remote control of FIG. 1; FIG. 6 is a bottom plan view of the remote control of FIG. 1; FIG. 7 is a front view of the remote control of FIG. 1; FIG. 8 is a back view of the remote control of FIG. 1; FIG. 9 is a left side view of the remote control of FIG. 1; FIG. 10 is a right side view of the remote control of FIG. 1; FIG. 11 is a top perspective view of a remote control according to another aspect of the present disclosure; and, FIG. 12 is a top plan view of the remote control of FIG. 11. The broken line portion of the remote control is included to show unclaimed subject matter only for the purpose of illustrating environment and forms no part of the claimed design.

1 Claim, 6 Drawing Sheets



(56)

References Cited

U.S. PATENT DOCUMENTS

D729,773	S *	5/2015	Salojarvi	D14/218
D737,250	S *	8/2015	Ingham	D14/218
D746,794	S *	1/2016	Conrad	D13/168
D775,117	S *	12/2016	Choi	D14/218
D778,264	S *	2/2017	Stapelbroek	D14/218
D778,878	S *	2/2017	de Vaal	D14/218
D782,430	S *	3/2017	Tam	D14/125
D796,975	S *	9/2017	Jou	D10/106.6
D800,081	S *	10/2017	Koo	D14/125
D801,273	S *	10/2017	Jou	D13/137.2
D808,389	S *	1/2018	Judge	D14/358
D813,230	S *	3/2018	Koo	D14/358
D816,046	S *	4/2018	Kiong	D13/162
2003/0122698	A1 *	7/2003	Horie	G06F 3/0231 341/176

* cited by examiner

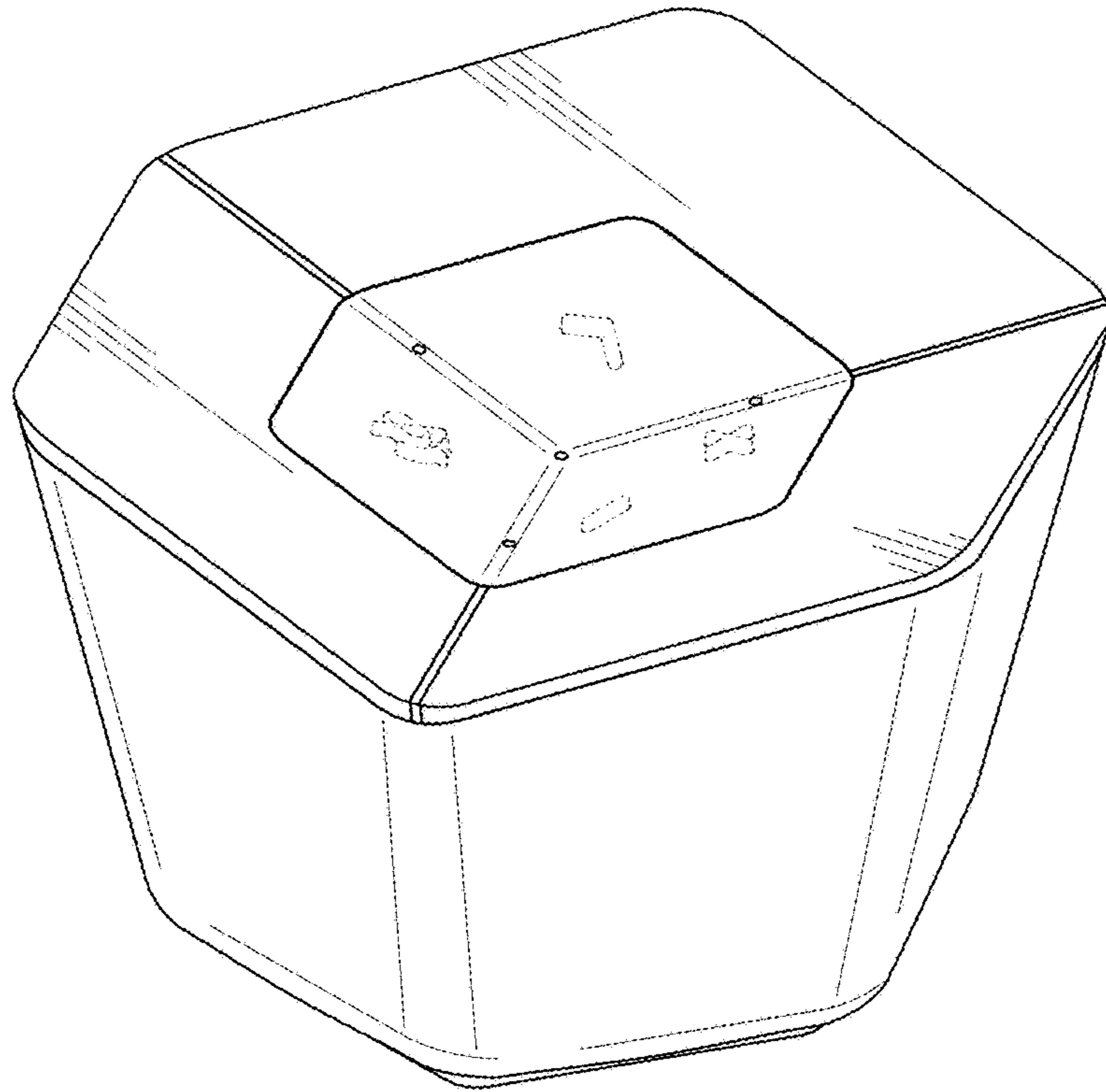


FIG. 1

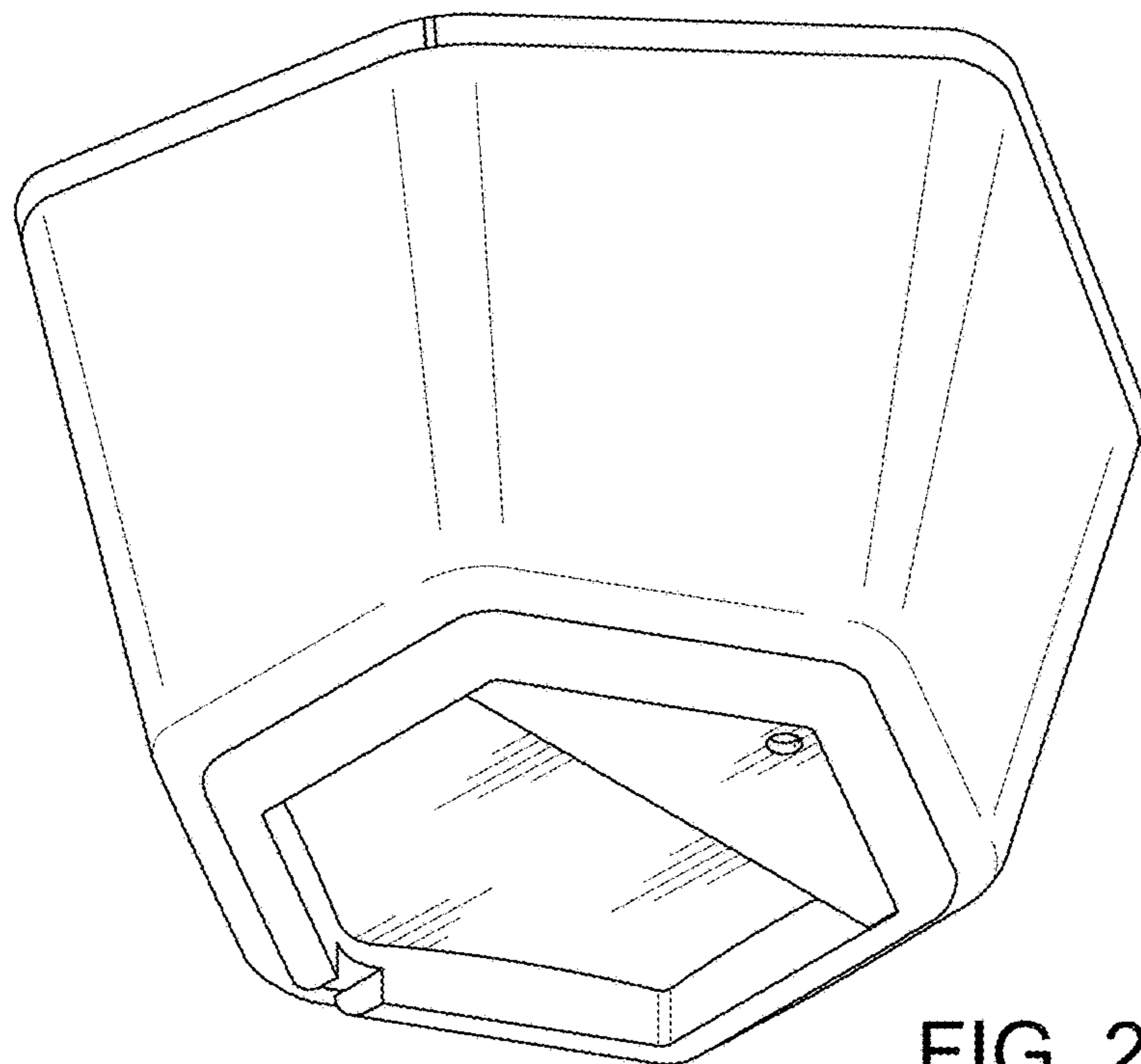


FIG. 2

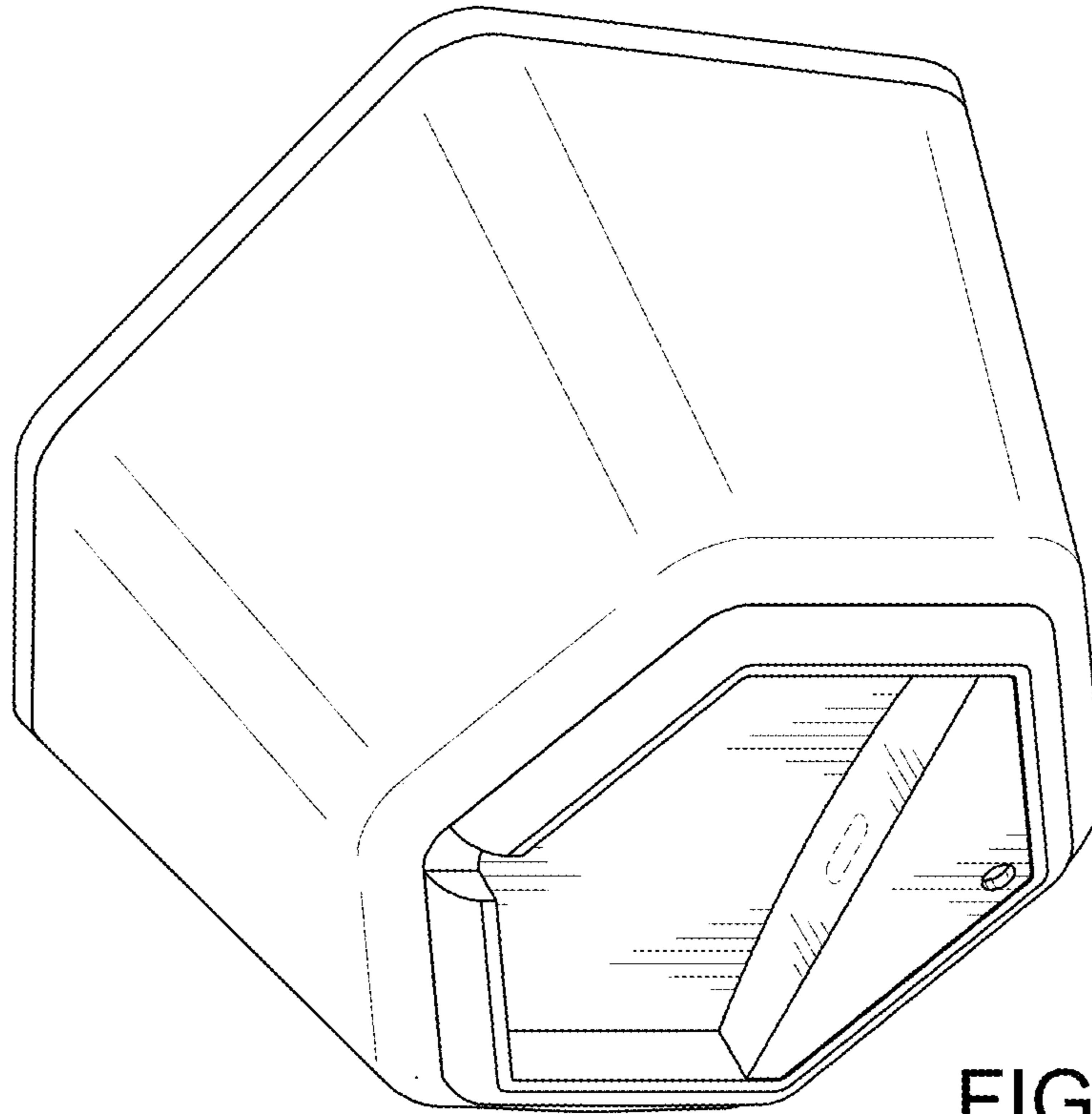


FIG. 3

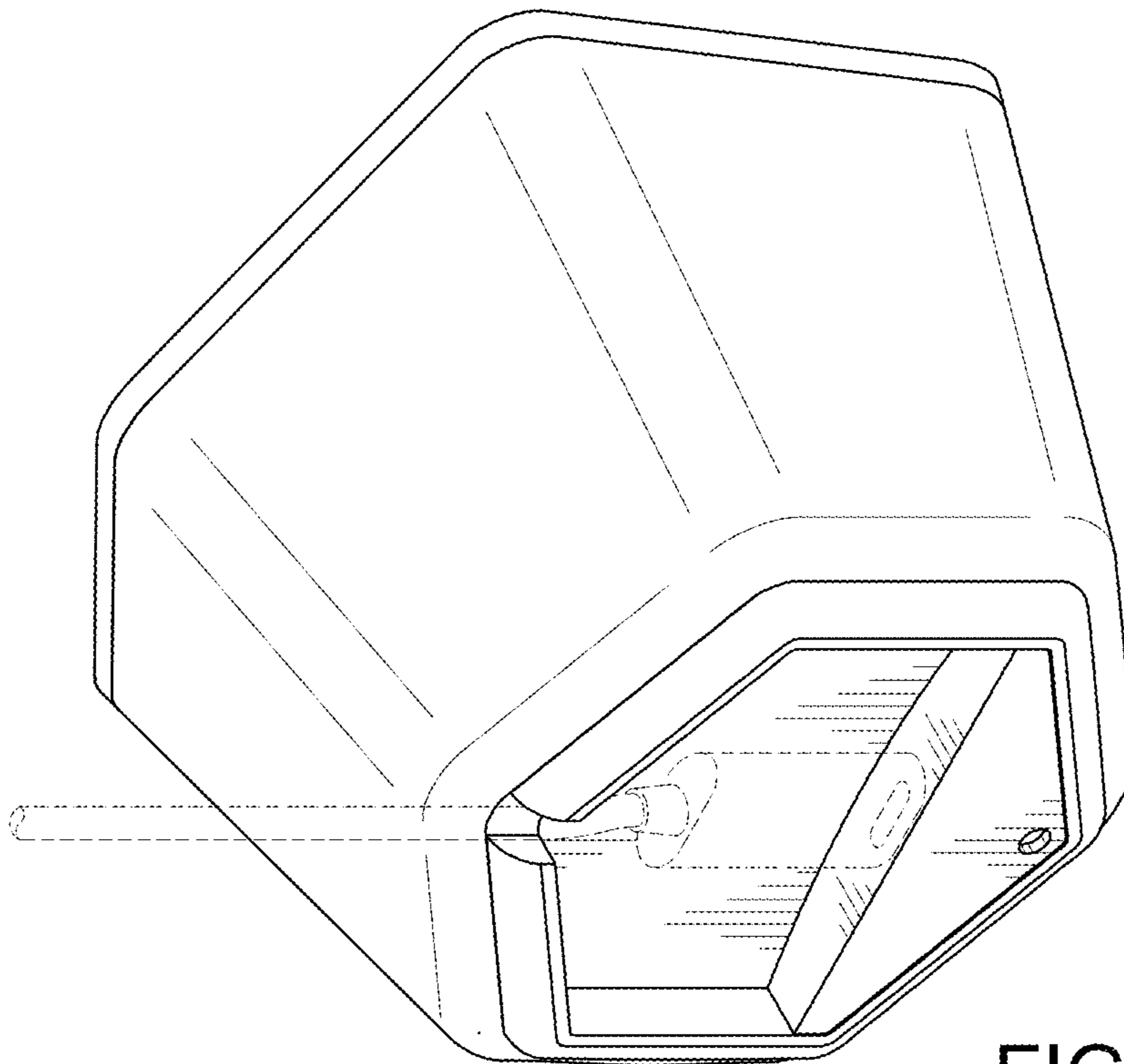


FIG. 4

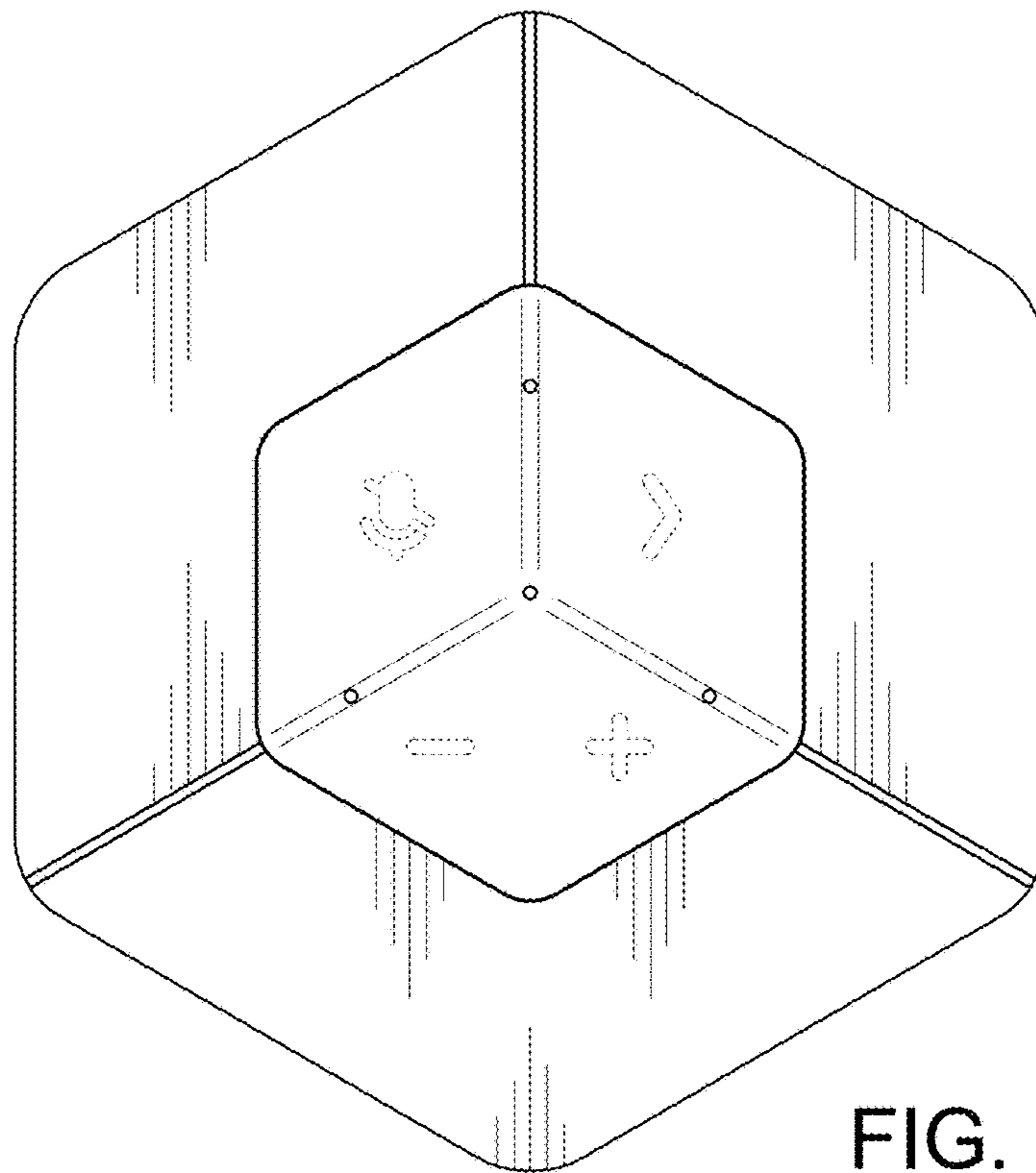


FIG. 5

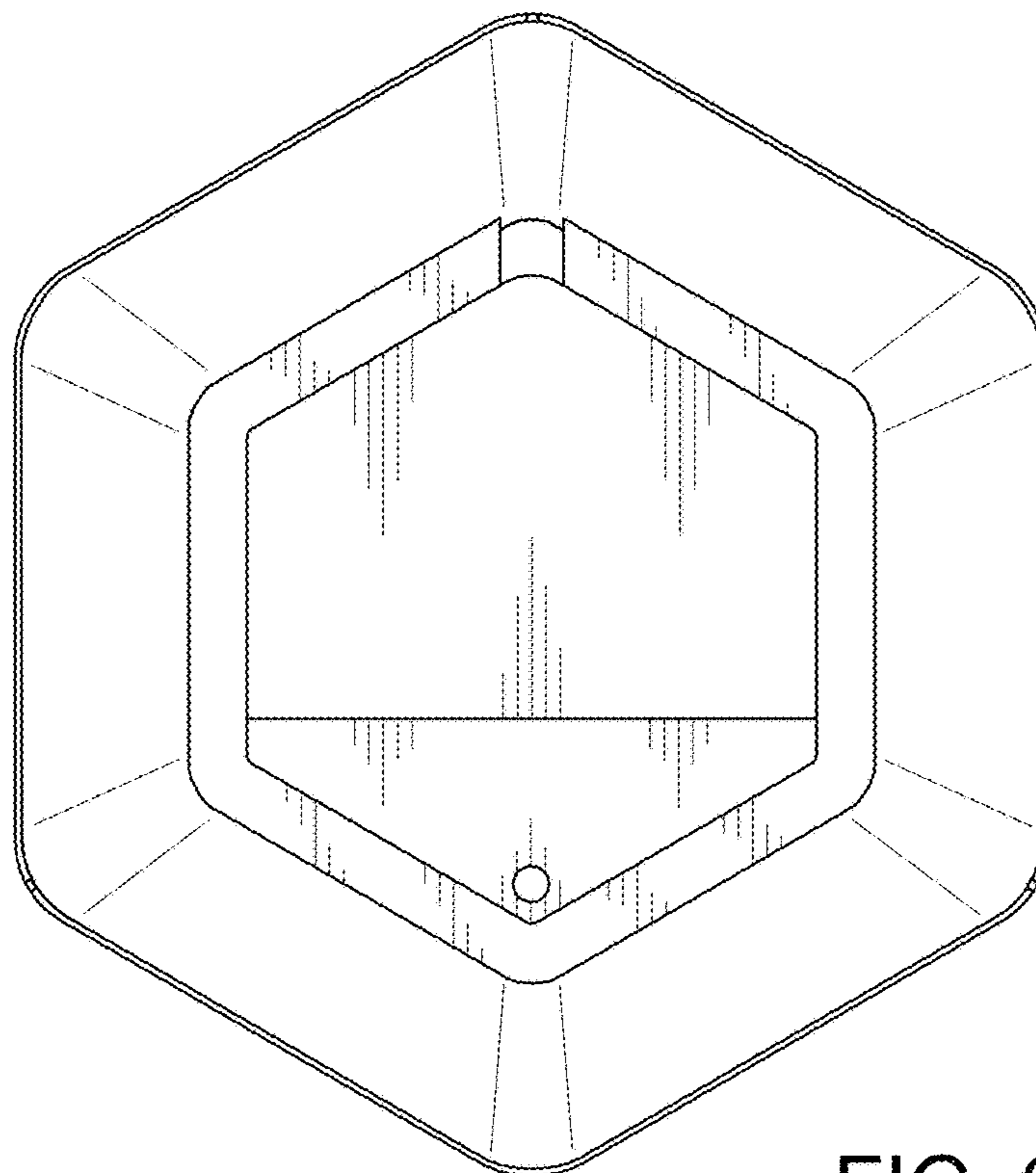


FIG. 6

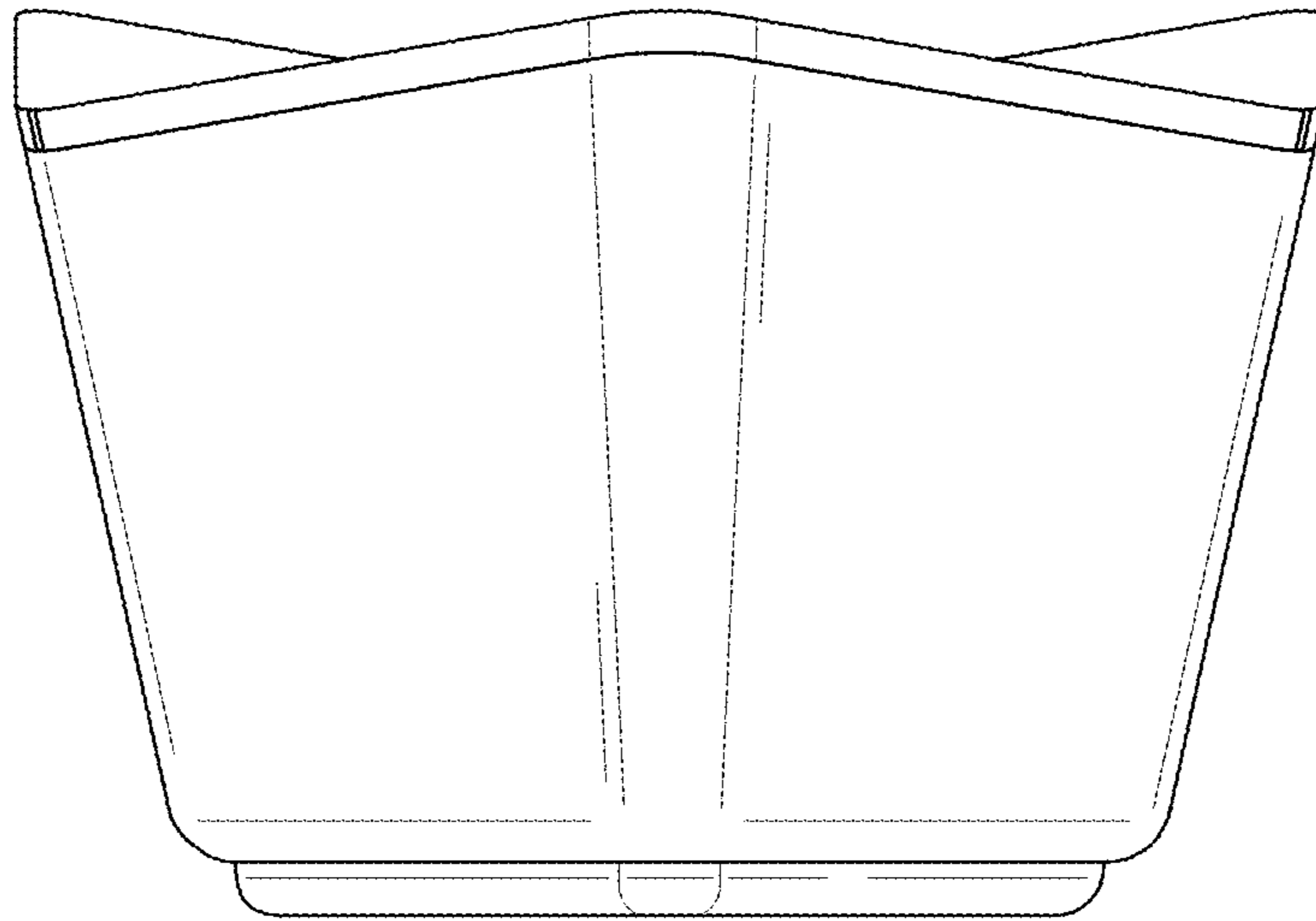


FIG. 7

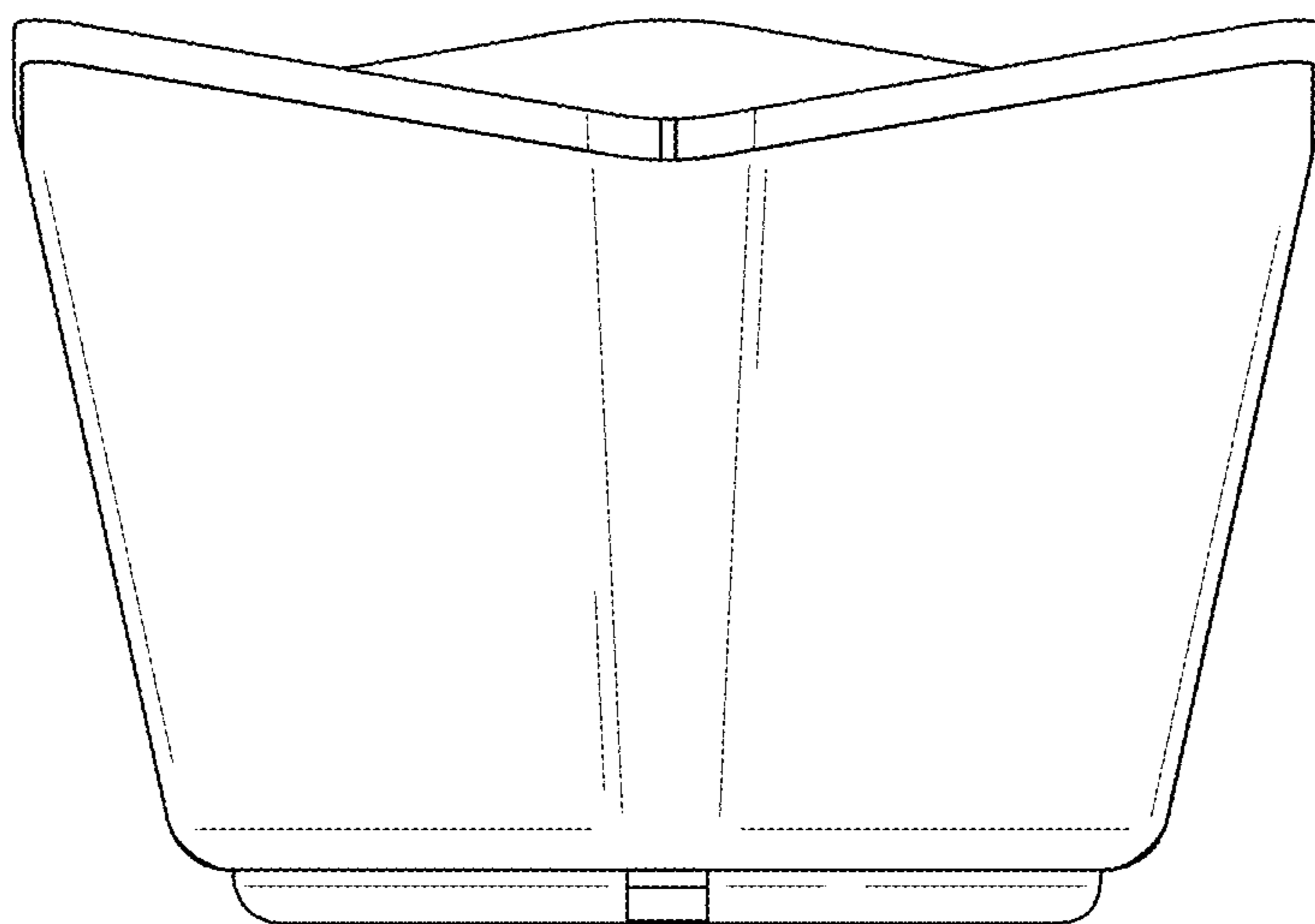


FIG. 8

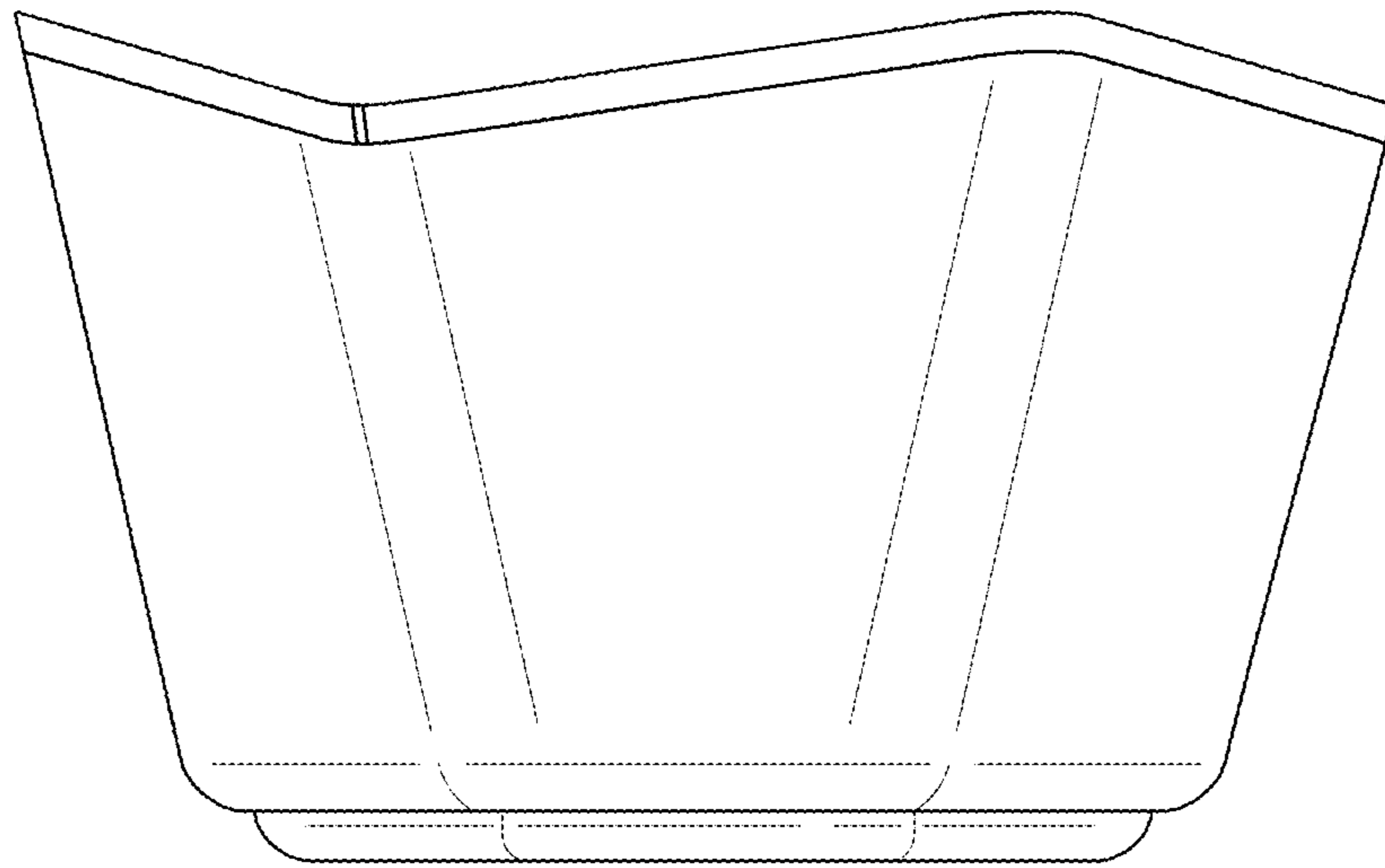


FIG. 9

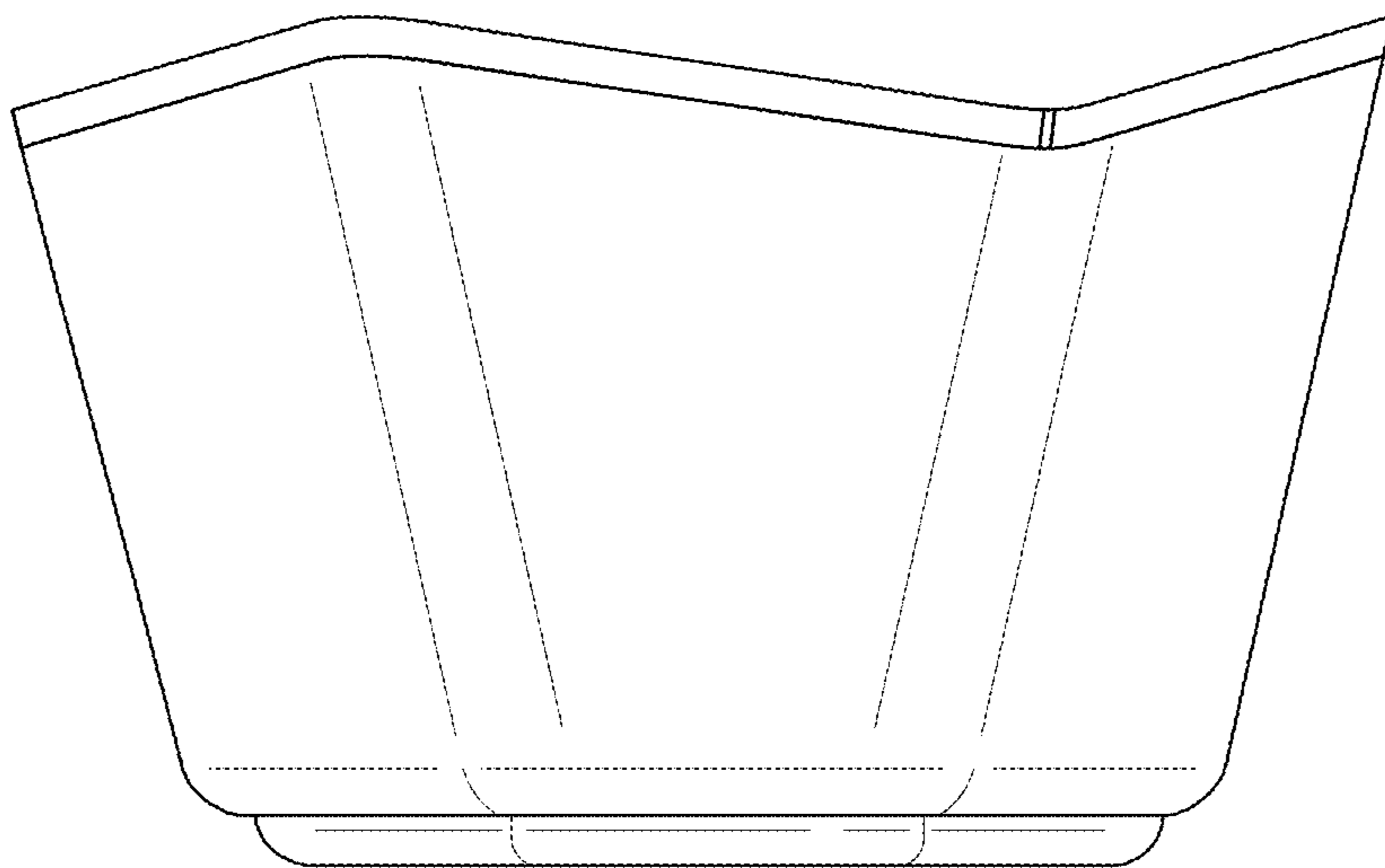


FIG. 10

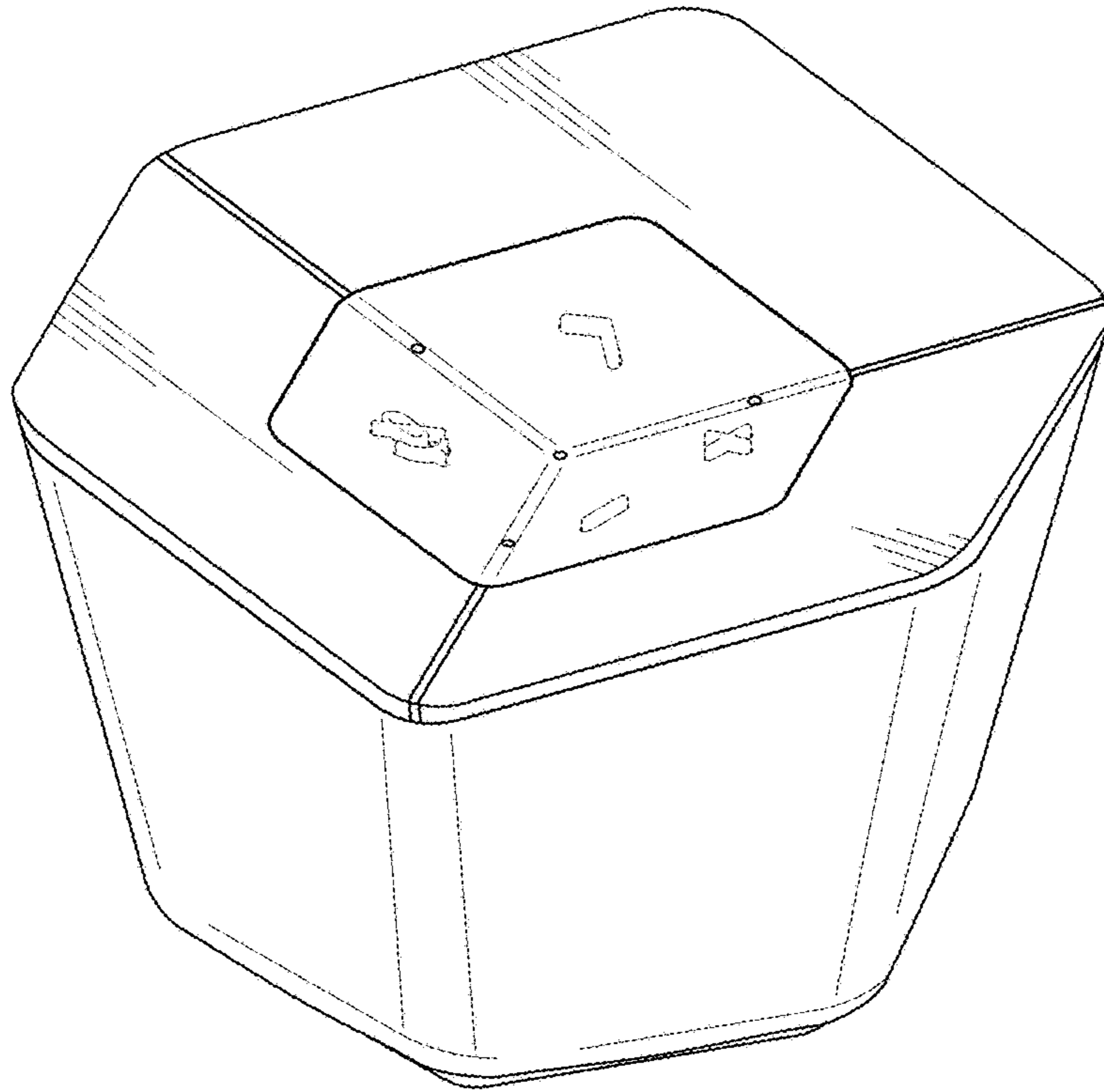


FIG. 11

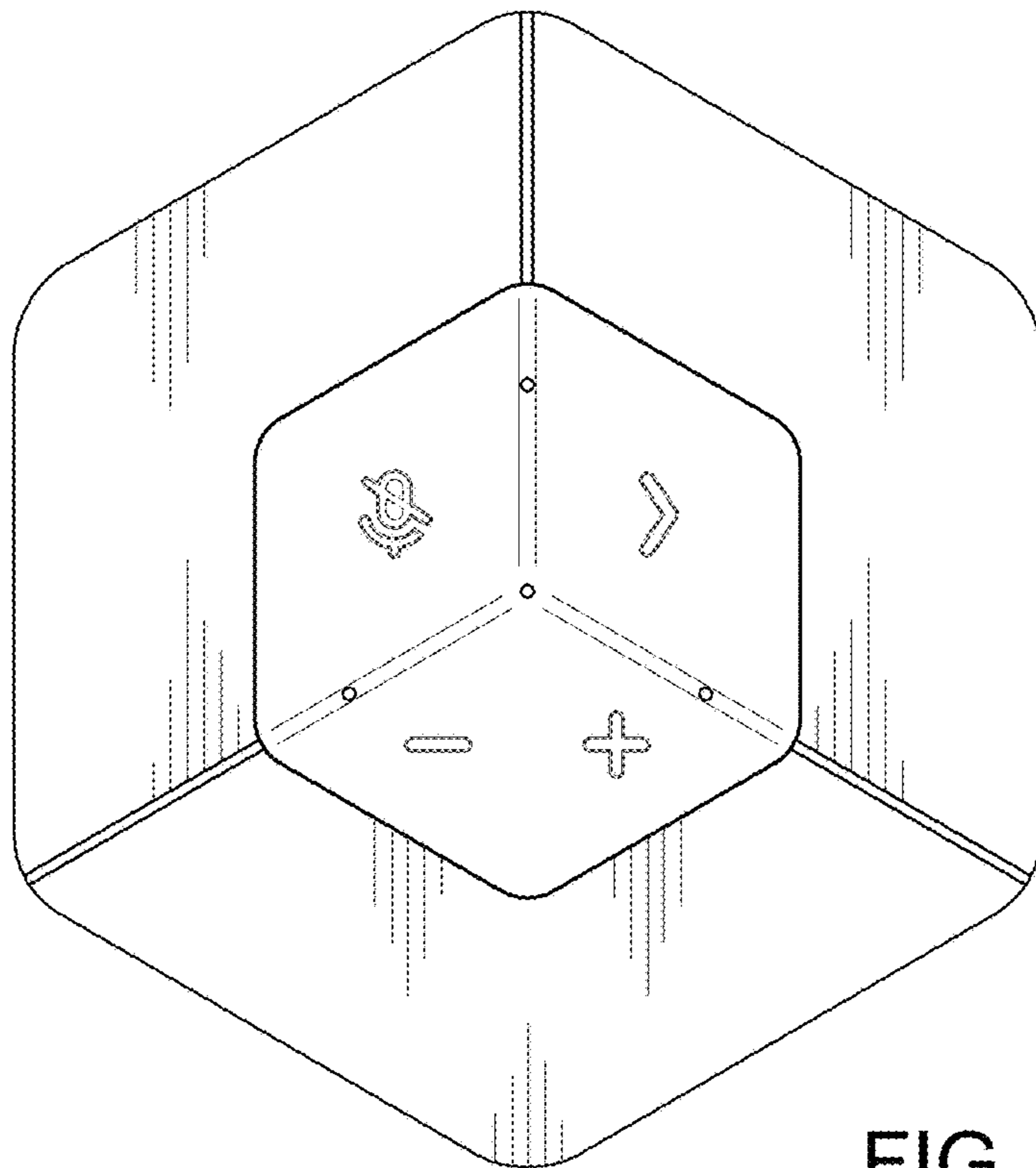


FIG. 12