



US00D854517S

(12) **United States Design Patent** (10) **Patent No.:** **US D854,517 S**
Telle (45) **Date of Patent:** **** *Jul. 23, 2019**

(54) **TWEETER SPEAKER HOUSING**
(71) Applicant: **Jose Luis Telle**, Miami, FL (US)
(72) Inventor: **Jose Luis Telle**, Miami, FL (US)
(*) Notice: This patent is subject to a terminal disclaimer.
(**) Term: **15 Years**

D432,118 S * 10/2000 Honnert D14/216
D442,945 S * 5/2001 Mahgerefteh D14/221
D448,017 S * 9/2001 Hasbrook D14/216
D468,190 S * 1/2003 Kennedy D15/72
D503,704 S * 4/2005 Yao D14/216
D504,416 S * 4/2005 Dayan D14/216
D505,671 S * 5/2005 Dayan D14/216
D517,533 S * 3/2006 Yuasa D14/221
D519,496 S * 4/2006 Amada D14/221
D524,300 S * 7/2006 Amada D14/221
D526,310 S * 8/2006 Pantaleone D14/221
D554,621 S * 11/2007 Yao D14/216

(Continued)

(21) Appl. No.: **29/592,972**
(22) Filed: **Feb. 3, 2017**
(51) **LOC (11) Cl.** **14-01**
(52) **U.S. Cl.**
USPC **D14/216**
(58) **Field of Classification Search**
USPC D14/168, 188, 194, 195, 196, 204, 210,
D14/211, 212, 213, 214, 215, 216, 197,
D14/198
CPC B60R 11/0217; G06F 1/1688; G10K 9/22;
G10K 11/004; H03F 1/327; H04M 1/03;
H04M 1/035; H04N 5/642; H04N
21/4852; H04S 3/00; H04S 7/30; H04R
1/02; H04R 1/06; H04R 1/021; H04R
1/025; H04R 1/026; H04R 1/028; H04R
1/105; H04R 1/323; H04R 1/403; H04R
1/2803; H04R 1/2834; H04R 5/02; H04R
7/20; H04R 9/06; H04R 9/025; H04R
2201/021; H04R 2400/00; H04R 2400/07;
H04R 2499/11; H04R 2499/13; H04R
2499/15
See application file for complete search history.

(56) **References Cited**
U.S. PATENT DOCUMENTS
D188,541 S * 8/1960 Matsuoka D14/216
D250,586 S * 12/1978 Nussdorfer D14/216
D289,041 S * 3/1987 Bittencourt D14/216
D371,367 S * 7/1996 Bittencourt D14/215
D393,641 S * 4/1998 Hai-Fu D14/216

OTHER PUBLICATIONS

YouTube—Pioneer TS-B350PRO, announced Jan. 14, 2015 [online], [site visited Jan. 5, 2017]. Available from internet, URL: <https://www.youtube.com/watch?v=Qhy8l8YCTRI>.*

(Continued)

Primary Examiner — Keli L Hill
Assistant Examiner — Karra S Johnson
(74) *Attorney, Agent, or Firm* — Sanchelima & Associates, P.A.; Jesus Sanchelima; Christian Sanchelima

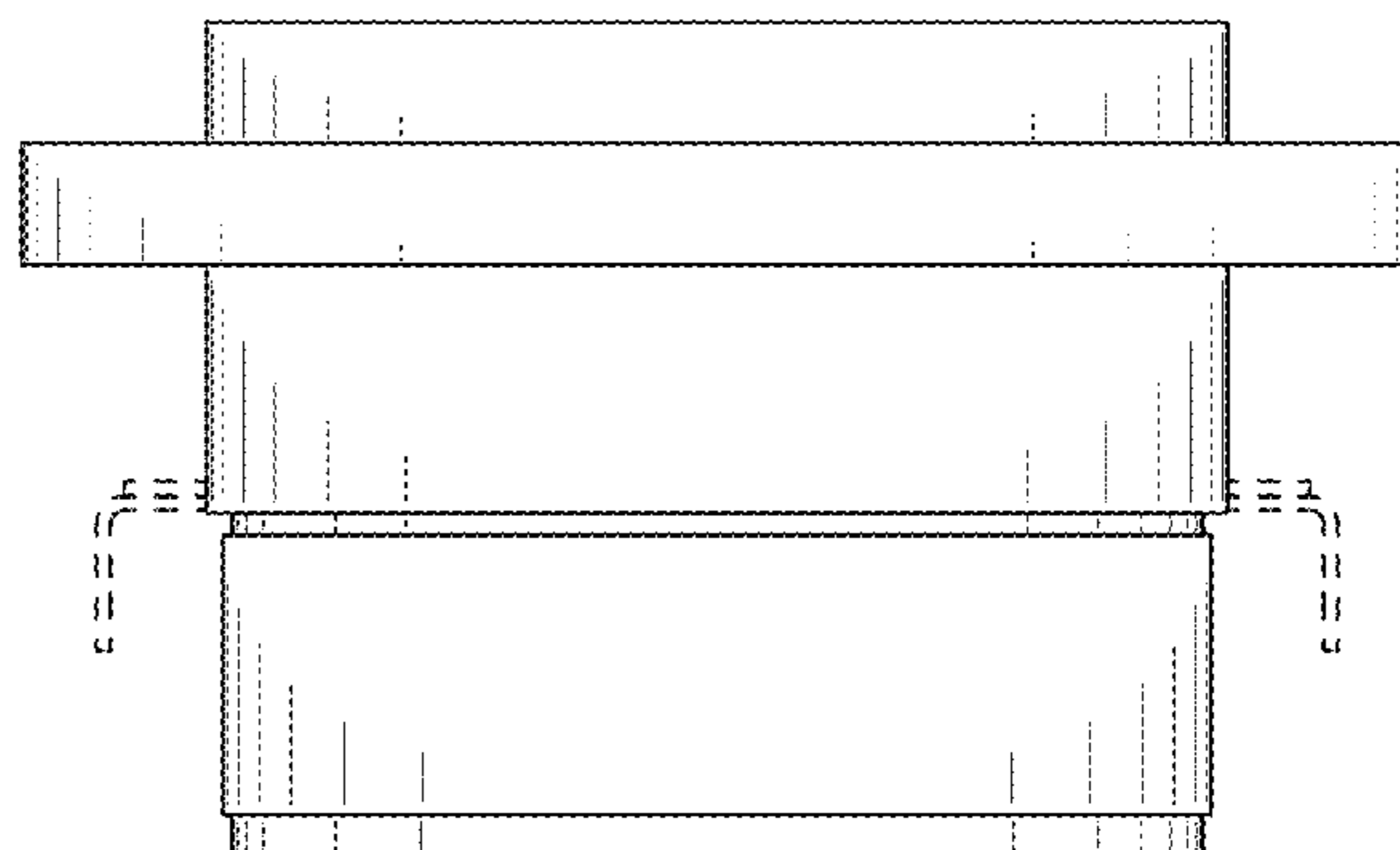
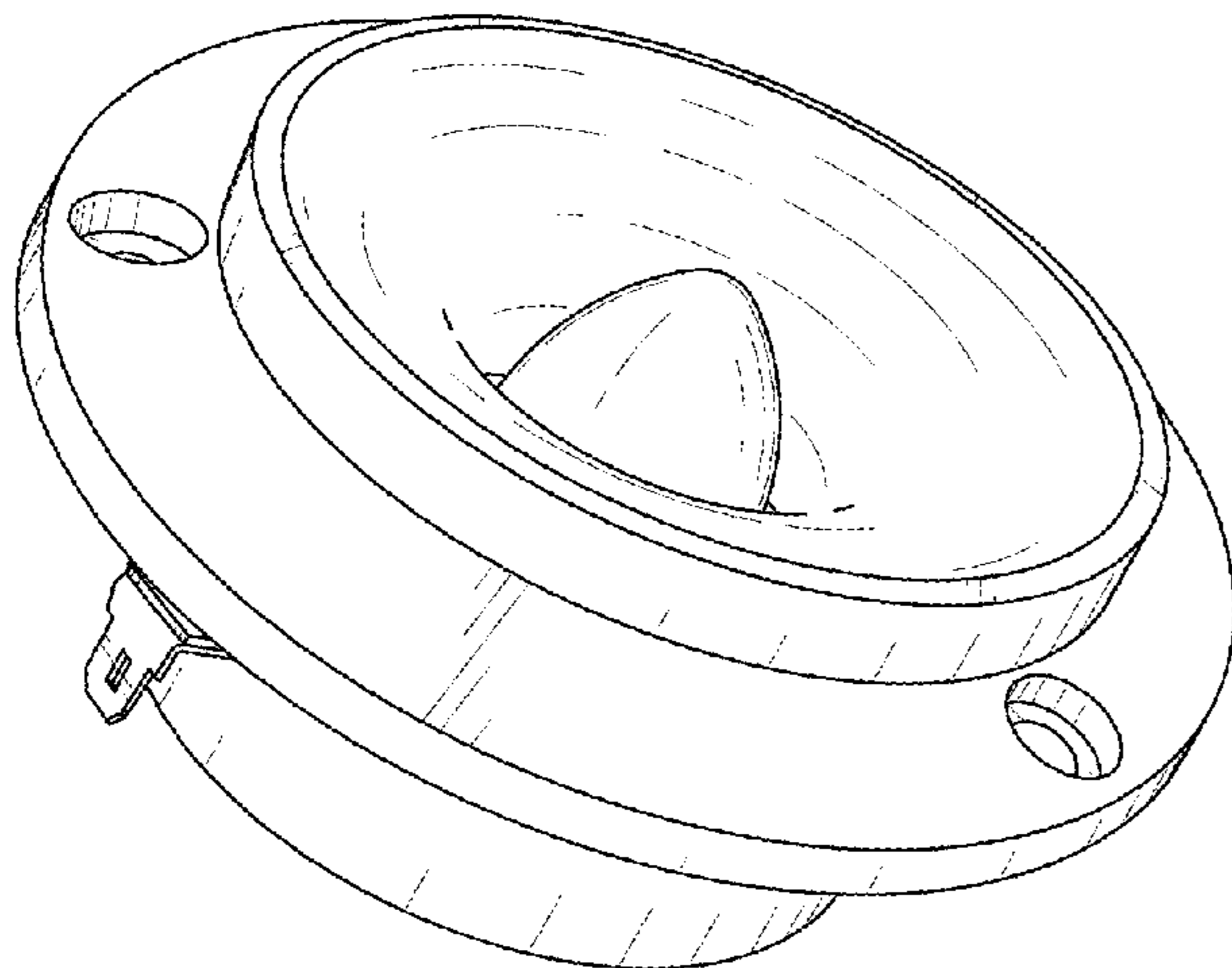
(57) **CLAIM**

The ornamental design for tweeter speaker housing, as shown and described.

DESCRIPTION

FIG. 1 is an isometric view of a tweeter speaker housing showing my new design;
FIG. 2 is a right view thereof;
FIG. 3 is a left thereof;
FIG. 4 is a front thereof;
FIG. 5 is a rear view thereof;
FIG. 6 is a top view thereof; and,
FIG. 7 is a bottom thereof showing my design.
The broken lines shown are included for the purpose of illustrating portions of the tweeter speaker housing that form no part of the claim.

1 Claim, 7 Drawing Sheets



(56)

References Cited

U.S. PATENT DOCUMENTS

9,210,511	B2 *	12/2015	Yi	H04R 7/20
9,532,145	B2 *	12/2016	Niedermann	H04R 9/02
D780,717	S *	3/2017	Diaz	D14/216
9,621,994	B1 *	4/2017	Bongiovi	H04R 9/043
2006/0133639	A1 *	6/2006	Wu	H04R 7/125 381/426
2007/0201718	A1 *	8/2007	Shimoe	H04R 7/18 381/396
2012/0148085	A1 *	6/2012	Omori	H04R 7/14 381/400

OTHER PUBLICATIONS

ebay—B&C DE35 Tweeter, announced Dec. 27, 2017 (date last updated) [online], [site visited Jan. 5, 2017]. Available from internet, URL: <<https://www.ebay.com/itm/302329275752?rmvSB=true>>.*

Parts Express—Pyramid TW44, announced Aug. 21, 2007 (dated via oldest review) [online], [site visited Jan. 5, 2017]. Available from internet, URL: <<https://www.parts-express.com/pyramid-tw44-heavy-duty-titanium-super-tweeter--270-125>>.*

* cited by examiner

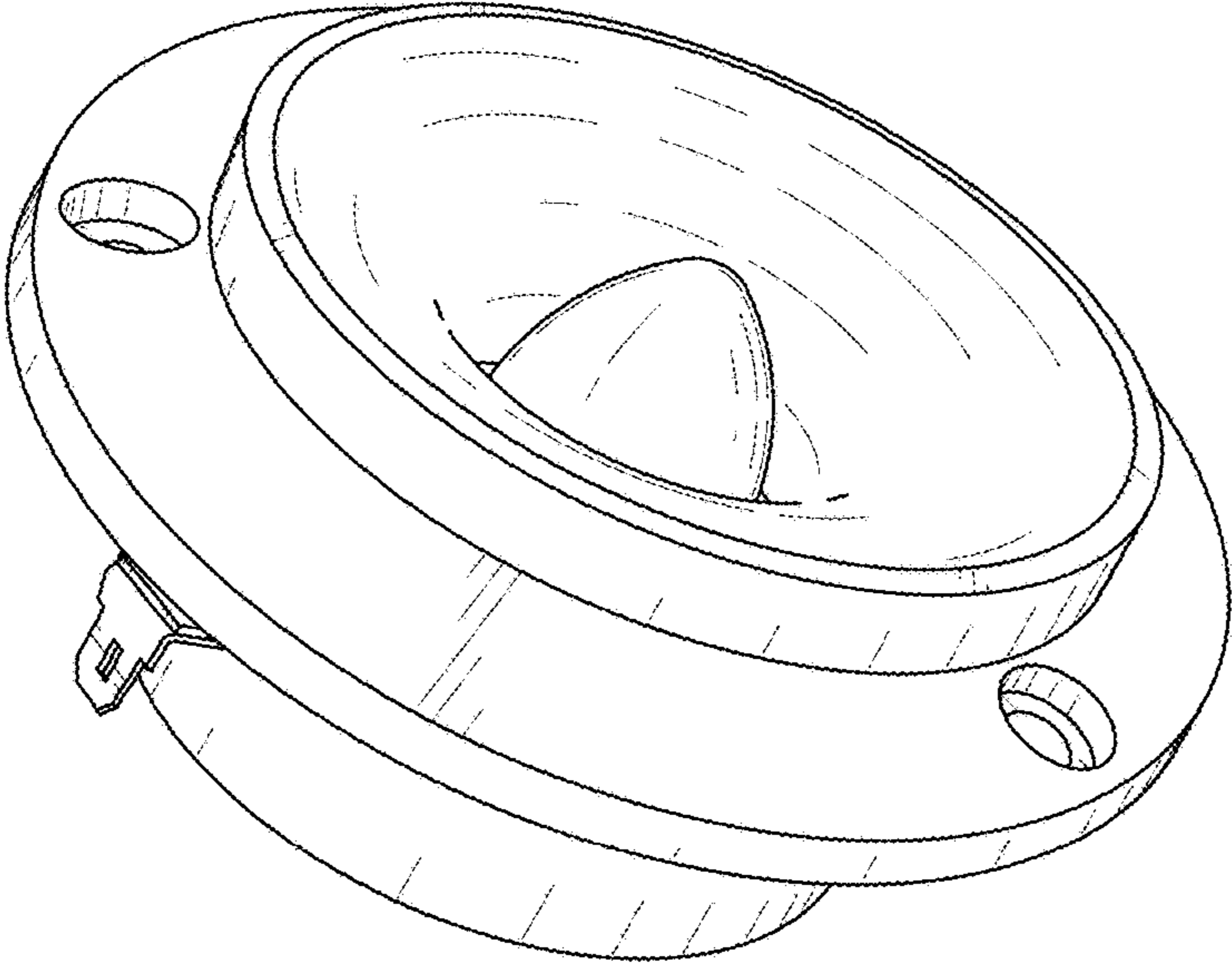


FIG. 1

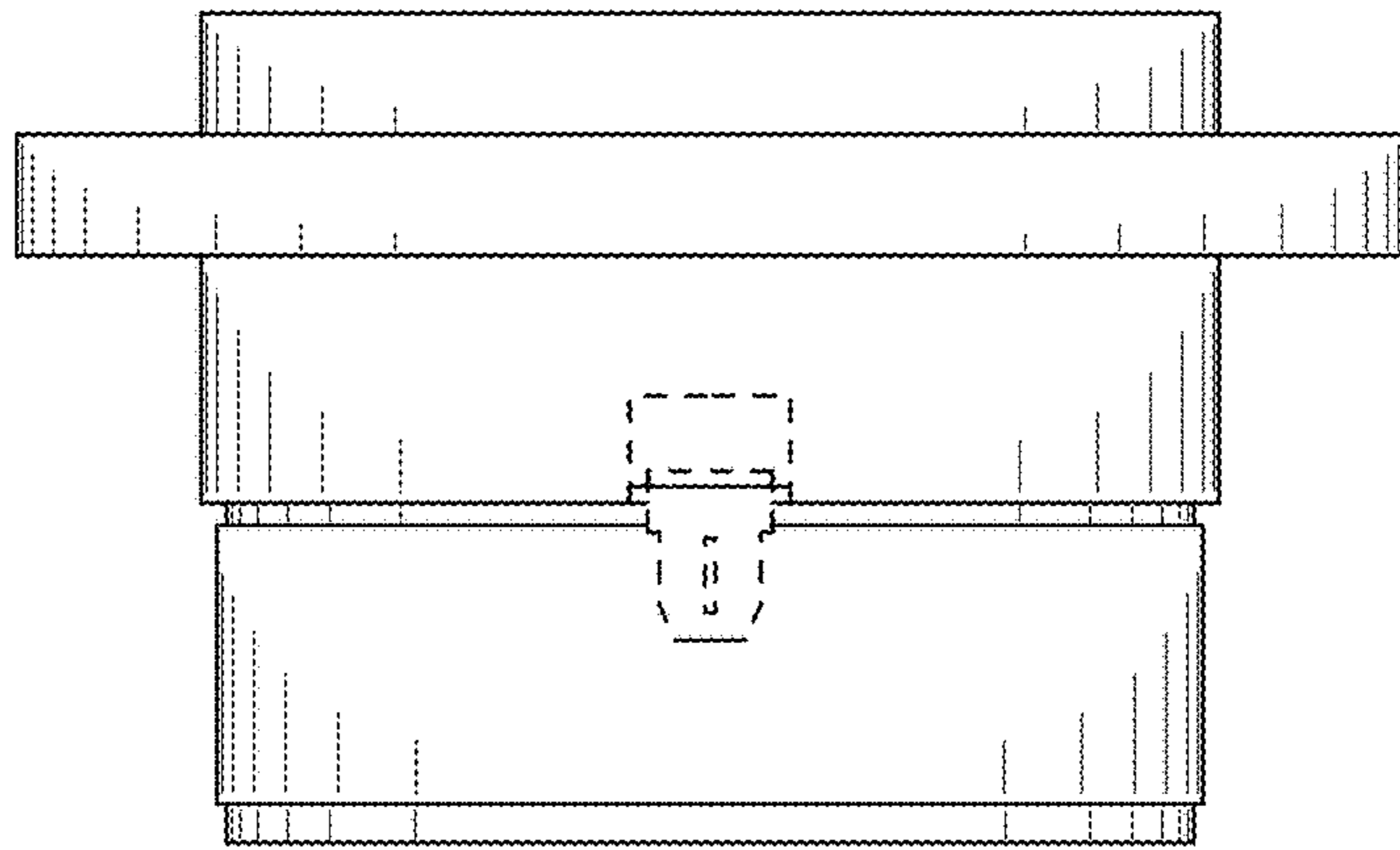


FIG. 2

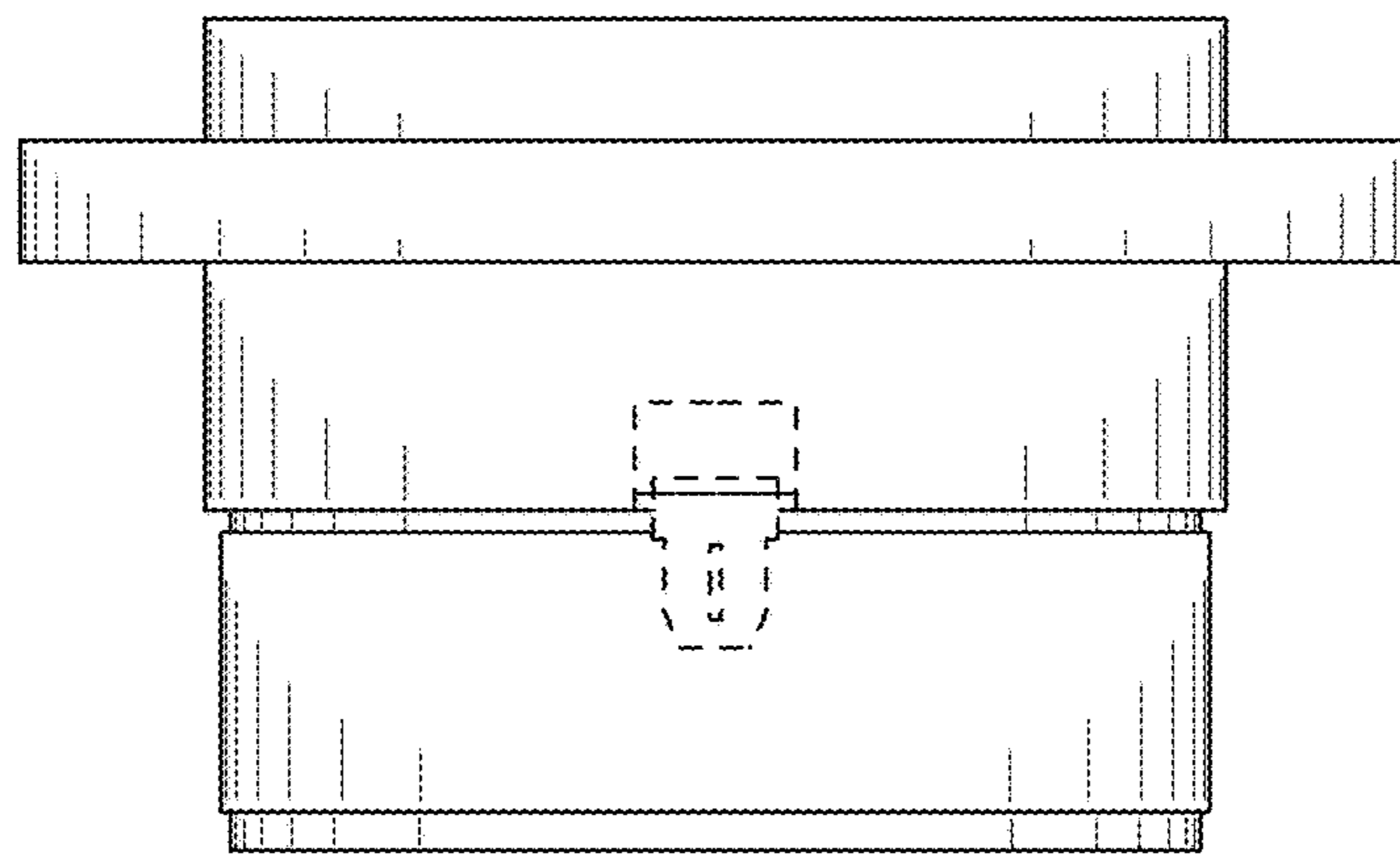


FIG. 3

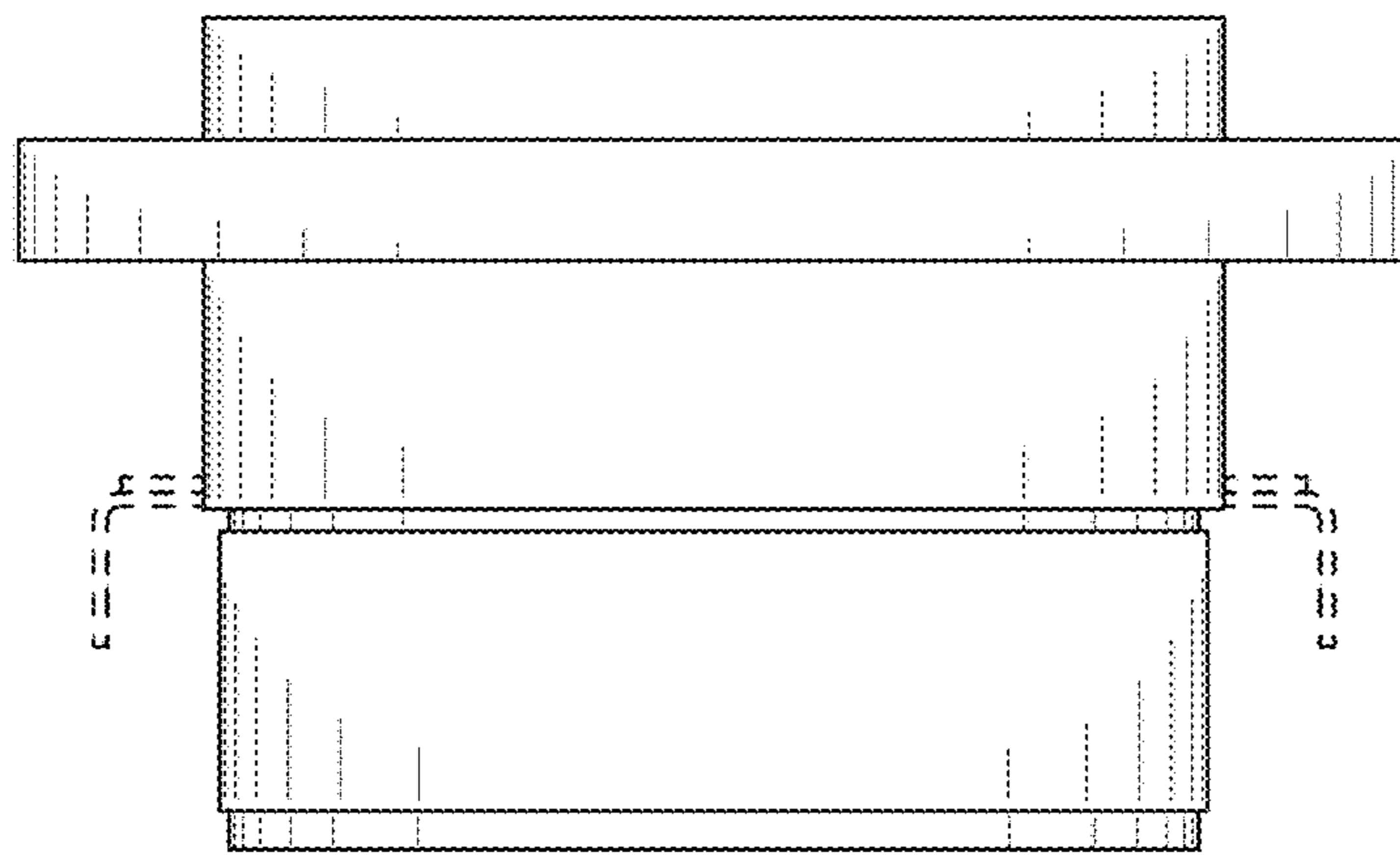


FIG. 4

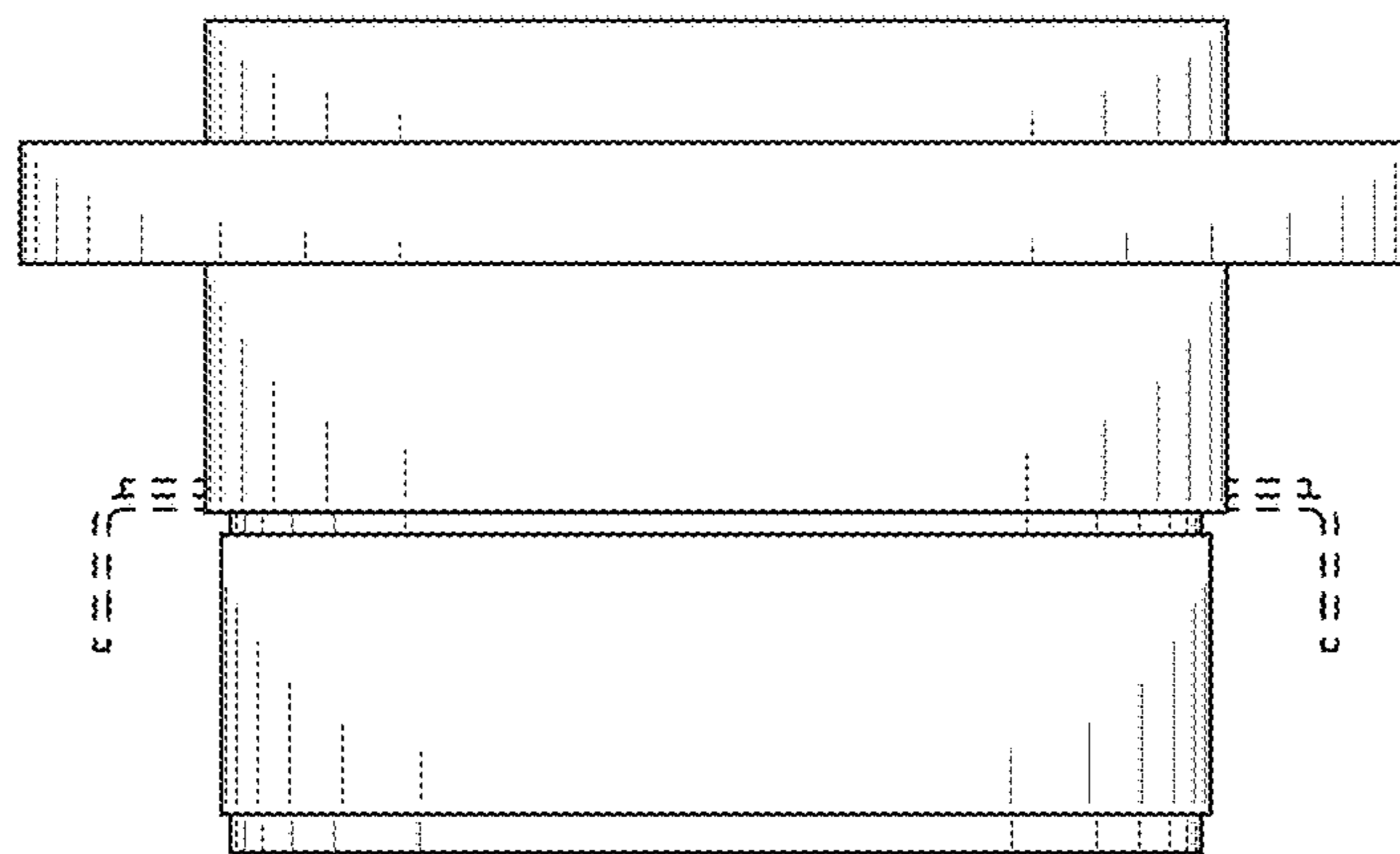


FIG. 5

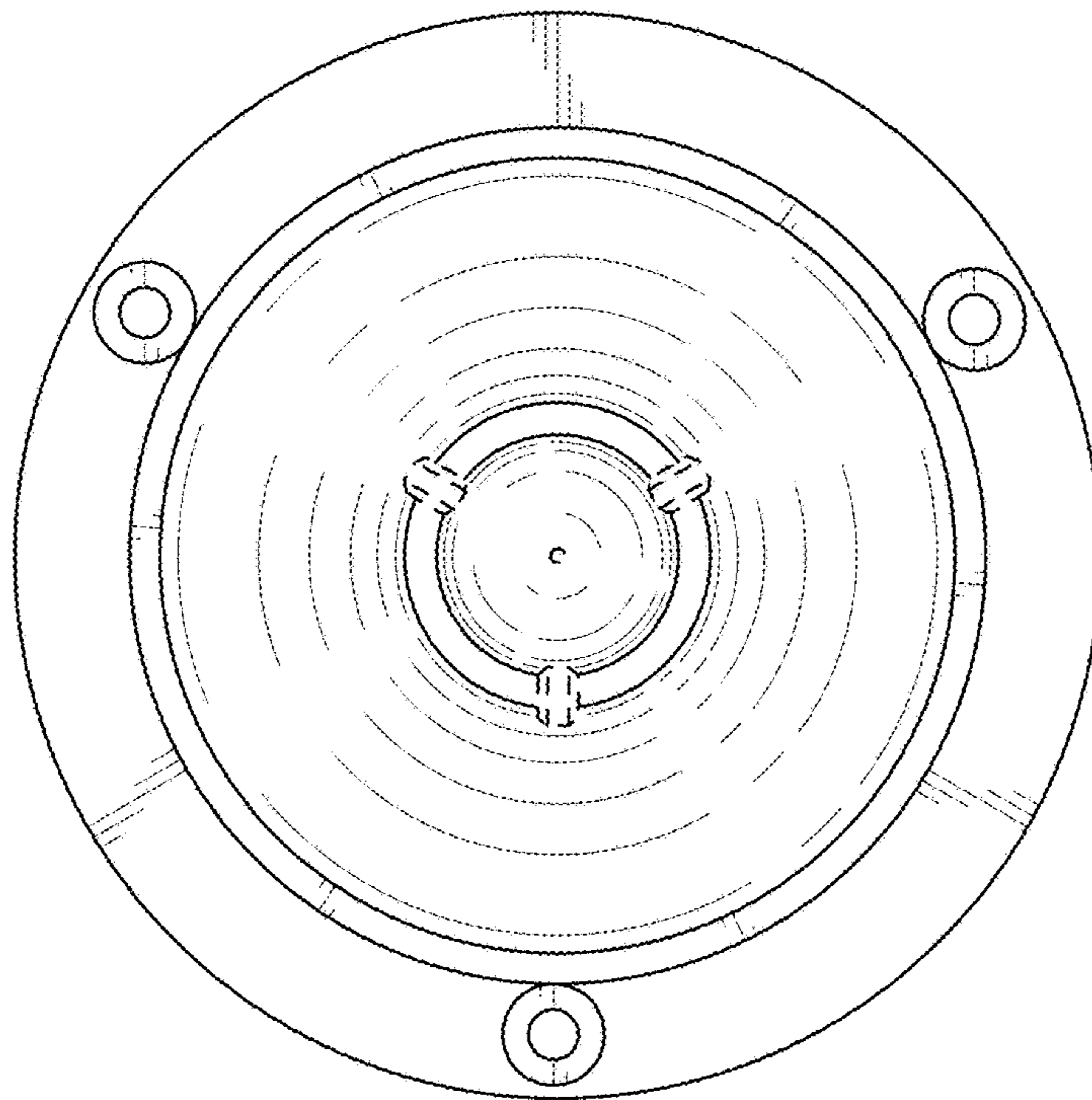


FIG. 6

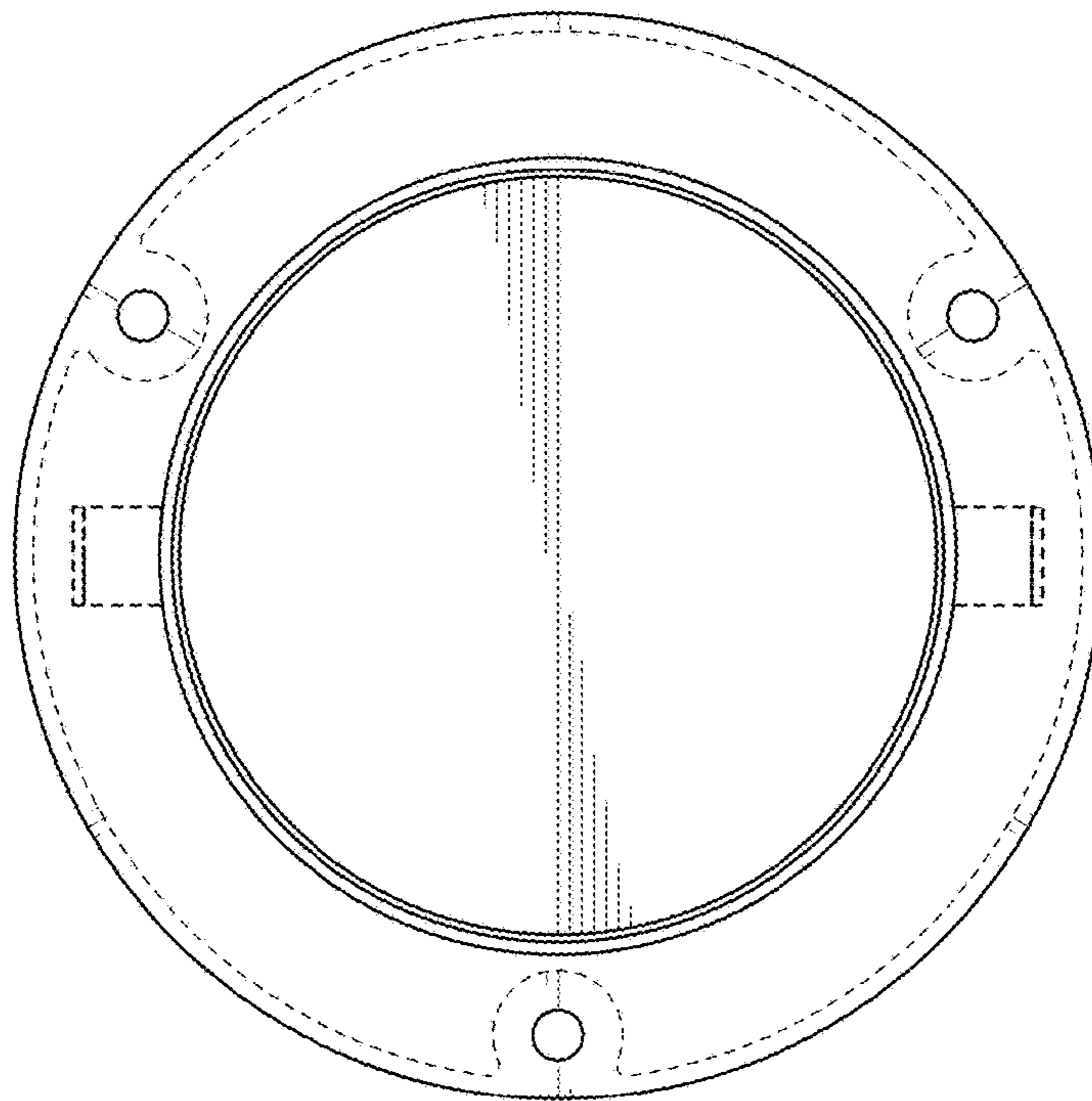


FIG. 7