



US00D854516S

(12) **United States Design Patent** (10) **Patent No.:** **US D854,516 S**
Usuru (45) **Date of Patent:** **** Jul. 23, 2019**

(54) **SPEAKER**
(71) Applicant: **YAMAHA CORPORATION**,
Hamamatsu-shi (JP)
(72) Inventor: **Ametsuto Usuru**, Hamamatsu (JP)
(73) Assignee: **YAMAHA CORPORATION**,
Hamamatsu-shi, Shizuoka (JP)

D523,418 S * 6/2006 Kubota D14/214
D641,340 S * 7/2011 Huh D14/214
D658,159 S * 4/2012 Janky D14/214
D658,160 S * 4/2012 Janky D14/214
D695,270 S * 12/2013 Lam D14/211
D746,263 S * 12/2015 Carbone D14/214
D765,054 S * 8/2016 Bast D14/204

(**) Term: **15 Years**
(21) Appl. No.: **29/629,252**
(22) Filed: **Dec. 12, 2017**

FOREIGN PATENT DOCUMENTS

JP 1577584 S 5/2017

* cited by examiner

Primary Examiner — Keli L Hill

(74) *Attorney, Agent, or Firm* — Sughrue Mion, PLLC

(30) **Foreign Application Priority Data**

Jun. 13, 2017 (JP) 2017-012666
Jun. 13, 2017 (JP) 2017-012669
Jun. 13, 2017 (JP) 2017-012670

(51) **LOC (11) Cl.** **14-03**
(52) **U.S. Cl.**
USPC **D14/214**

(57) **CLAIM**

The ornamental design for a speaker, as shown and described.

(58) **Field of Classification Search**
USPC D14/167, 168, 170–172, 188, 194–196,
D14/204, 209.1, 210–216, 219, 221, 222,
D14/224, 239, 496

DESCRIPTION

CPC B60R 11/0217; G06F 1/1688; G10K 9/22;
G10K 11/004; H03F 1/327; H04M 1/03;
H04M 1/035; H04N 5/642; H04N
21/4852; H04S 3/00; H04S 7/30; H04R
1/02; H04R 1/06; H04R 1/021; H04R
1/025; H04R 1/026; H04R 1/028; H04R
1/105; H04R 1/323; H04R 1/403; H04R
1/2803; H04R 1/2834; H04R 5/02; H04R
7/20; H04R 9/06; H04R 9/025; H04R
2201/021; H04R 2400/00; H04R 2400/07;
H04R 2499/11; H04R 2499/13; H04R
2499/15

FIG. 1 is a perspective view of the front, top and left side of a speaker showing my new design;
FIG. 2 is a front view thereof;
FIG. 3 is a rear view thereof;
FIG. 4 is a left side view thereof;
FIG. 5 is a right side view thereof;
FIG. 6 is a top plan view thereof; and,
FIG. 7 is a bottom view thereof.

The broken line showing of the speaker is included for the purpose of illustrating unclaimed portions of the speaker and forms no part of the claimed design.

The sound bar speaker is shown with symbolic breaks in its length in the FIGS. 1-5 drawing views. It is understood that patentability is based only on those portions of the article that are shown in solid lines, and the appearance of any portion of the article between the break lines forms no part of the claimed design.

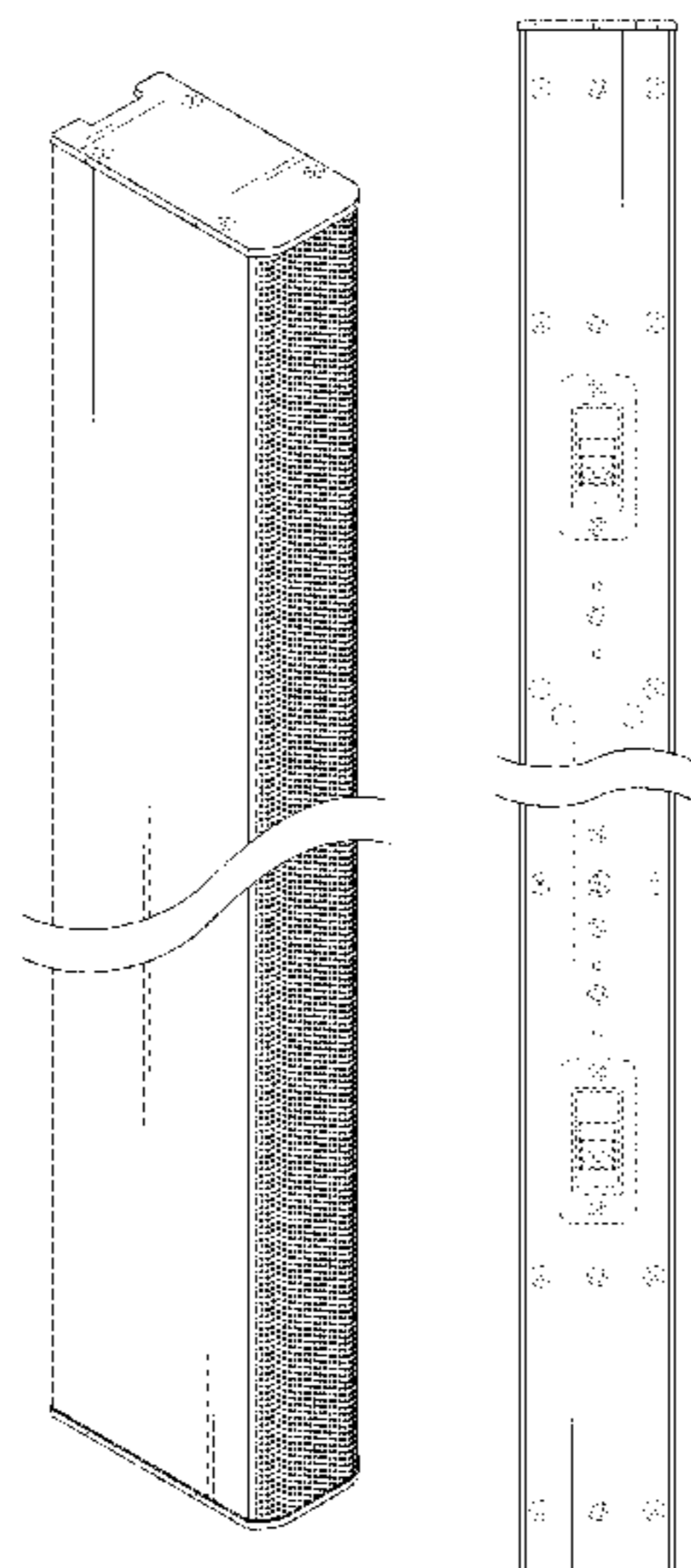
See application file for complete search history.

(56) **References Cited**

U.S. PATENT DOCUMENTS

D249,683 S * 9/1978 Rams D14/211
D516,543 S * 3/2006 Kubota D14/214

1 Claim, 3 Drawing Sheets



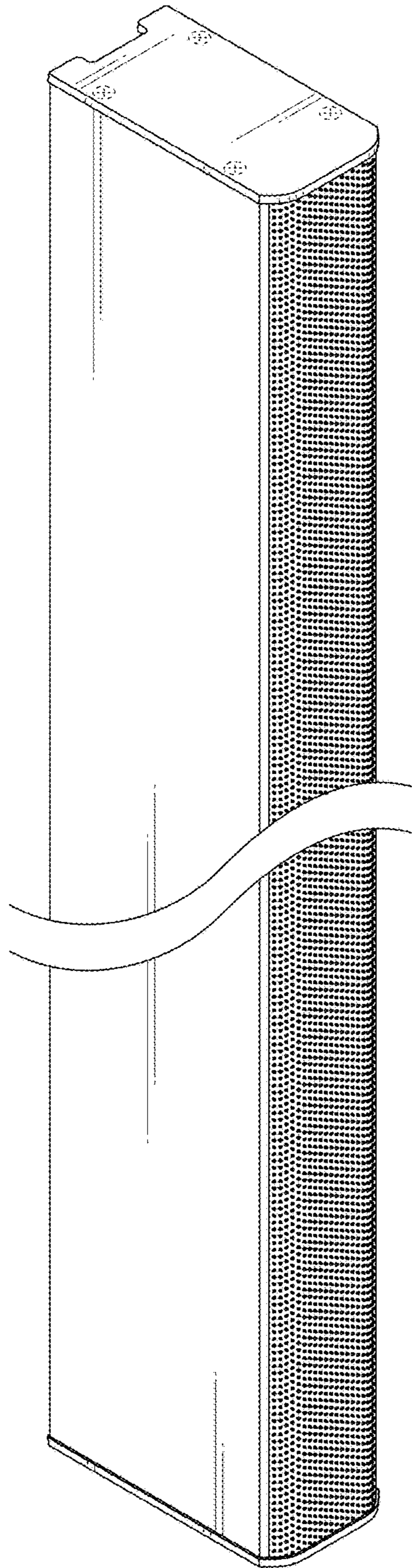


FIG. 1

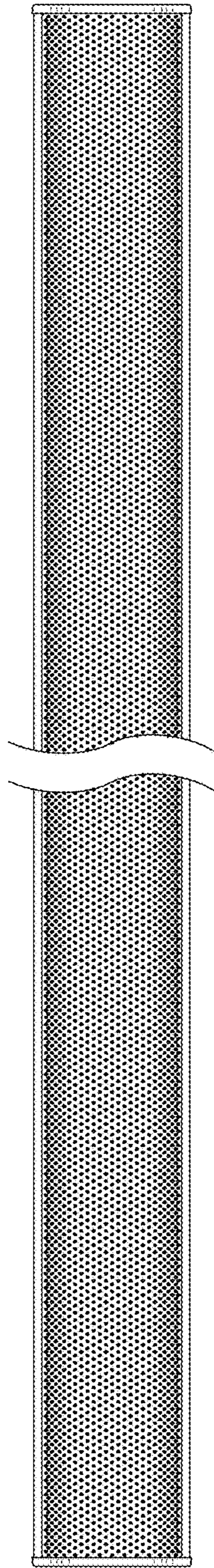


FIG. 2

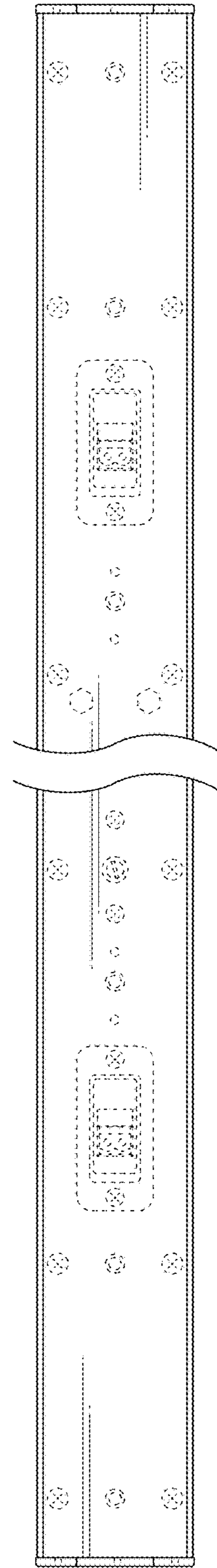


FIG. 3

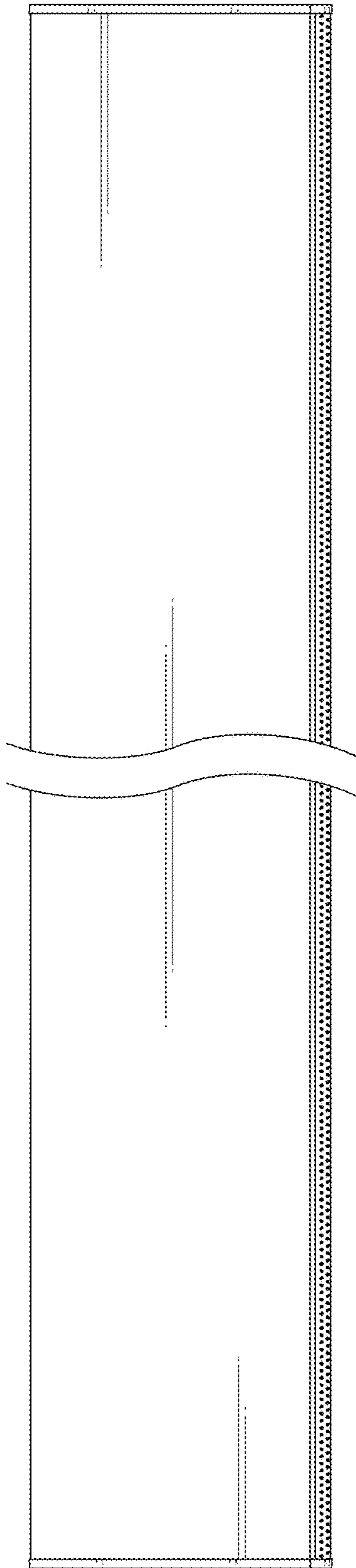


FIG. 4

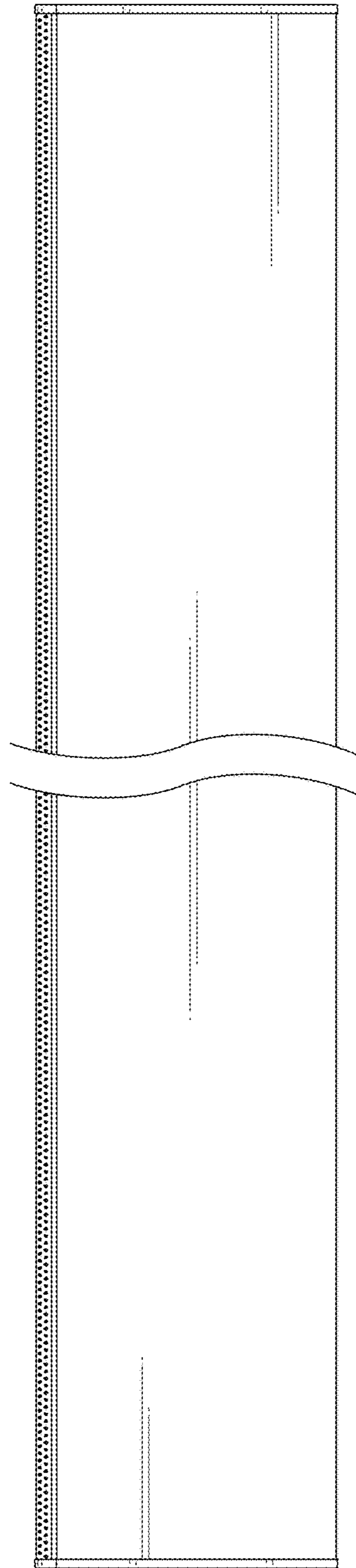


FIG. 5

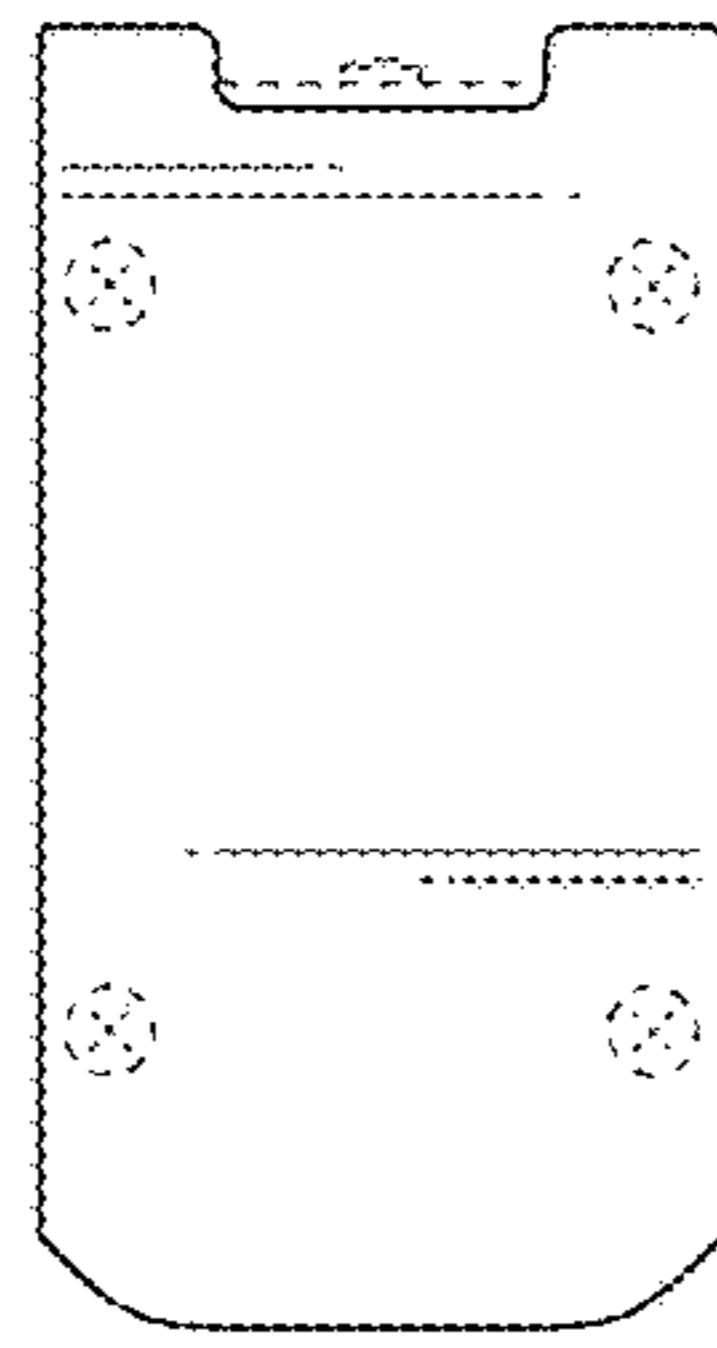


FIG. 6

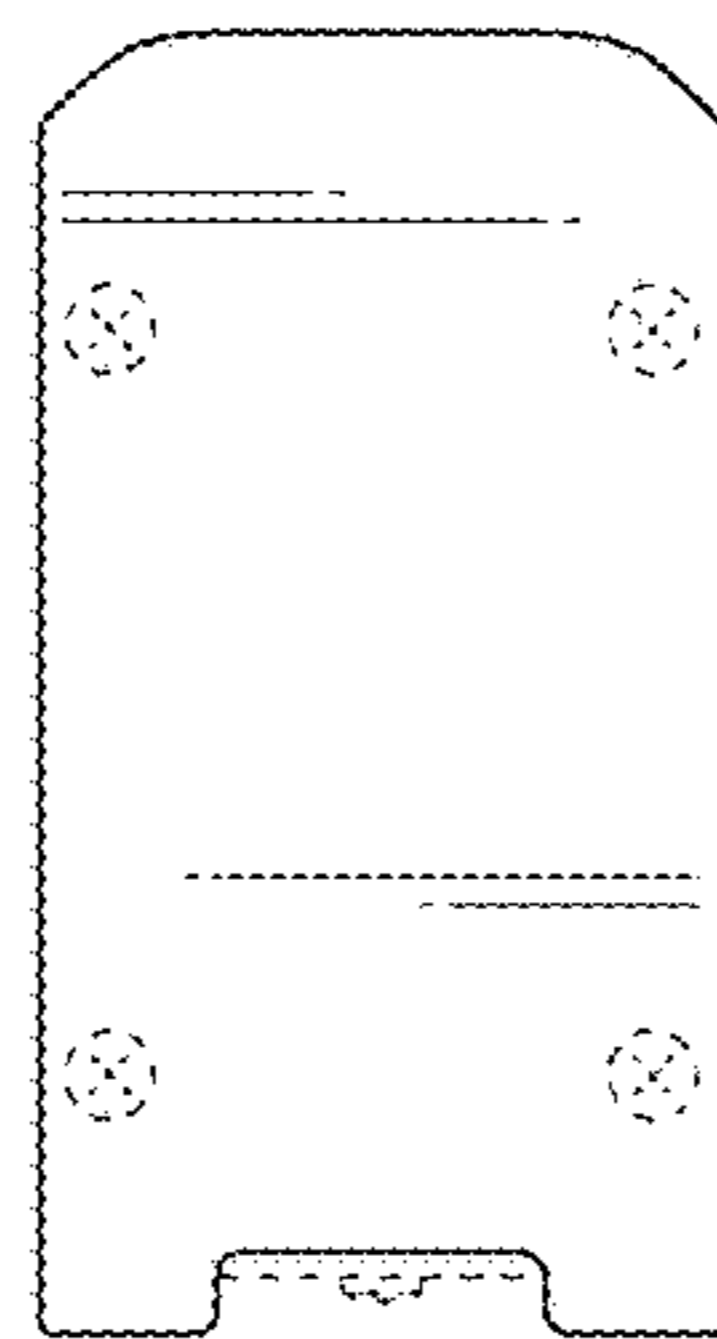


FIG. 7