



US00D854514S

(12) **United States Design Patent**
Hu

(10) **Patent No.:** **US D854,514 S**
(45) **Date of Patent:** **** Jul. 23, 2019**

(54) **HEADPHONE**

(71) Applicant: **SHENZHEN QIANHAI PATUOXUN NETWORK AND TECHNOLOGY CO., LTD**, Shenzhen (CN)

(72) Inventor: **Zaihui Hu**, Shenzhen (CN)

(73) Assignee: **SHENZHEN QIANHAI PATUOXUN NETWORK AND TECHNOLOGY CO., LTD**, Shenzhen (CN)

(**) Term: **15 Years**

(21) Appl. No.: **29/678,771**

(22) Filed: **Jan. 31, 2019**

(51) **LOC (11) Cl.** **14-01**

(52) **U.S. Cl.**
USPC **D14/206**; D14/226

(58) **Field of Classification Search**
USPC D14/205, 206, 188, 192, 226; D29/112;
2/209; 181/129, 130, 135; 379/430, 431;
381/380, 381, 374; 455/90.3, 575.1,
455/569.1

CPC H04R 1/1066; H04R 1/1016; H04R 5/033;
H04R 5/0335; H04R 25/00; A61F 11/14
See application file for complete search history.

(56) **References Cited**

U.S. PATENT DOCUMENTS

- 3,104,398 A * 9/1963 Palmaer A61F 11/14
2/209
- D244,300 S * 5/1977 Besasie D14/205
- D254,616 S * 4/1980 Tabata D14/205
- D298,670 S * 11/1988 Palmaer D14/205
- D307,907 S * 5/1990 Siddoway D14/225
- D317,767 S * 6/1991 Banks D14/205
- 5,068,923 A * 12/1991 Sjoqvist A61F 11/14
181/129
- D411,200 S * 6/1999 Almqvist D14/192
- D413,413 S * 8/1999 Dillon D14/205

- D420,356 S * 2/2000 Suzuki D14/205
- D434,191 S * 11/2000 Emilsson D29/112
- D459,715 S * 7/2002 Tejima D14/188
- 6,449,806 B1 * 9/2002 Engelhard H04M 1/05
2/209
- D497,608 S * 10/2004 Birgersson D14/205
- D509,323 S * 9/2005 Emilsson D29/112
- D548,221 S * 8/2007 Huang D14/205
- D552,077 S * 10/2007 Brunner D14/205
- D576,604 S * 9/2008 Suzuki D14/205
- D589,492 S * 3/2009 Mistry D14/205

(Continued)

FOREIGN PATENT DOCUMENTS

- CN 304619478 5/2018
- EM 004527752-0001 12/2017

Primary Examiner — Paula Allen Greene

(74) *Attorney, Agent, or Firm* — JCIP Global Inc.

(57) **CLAIM**

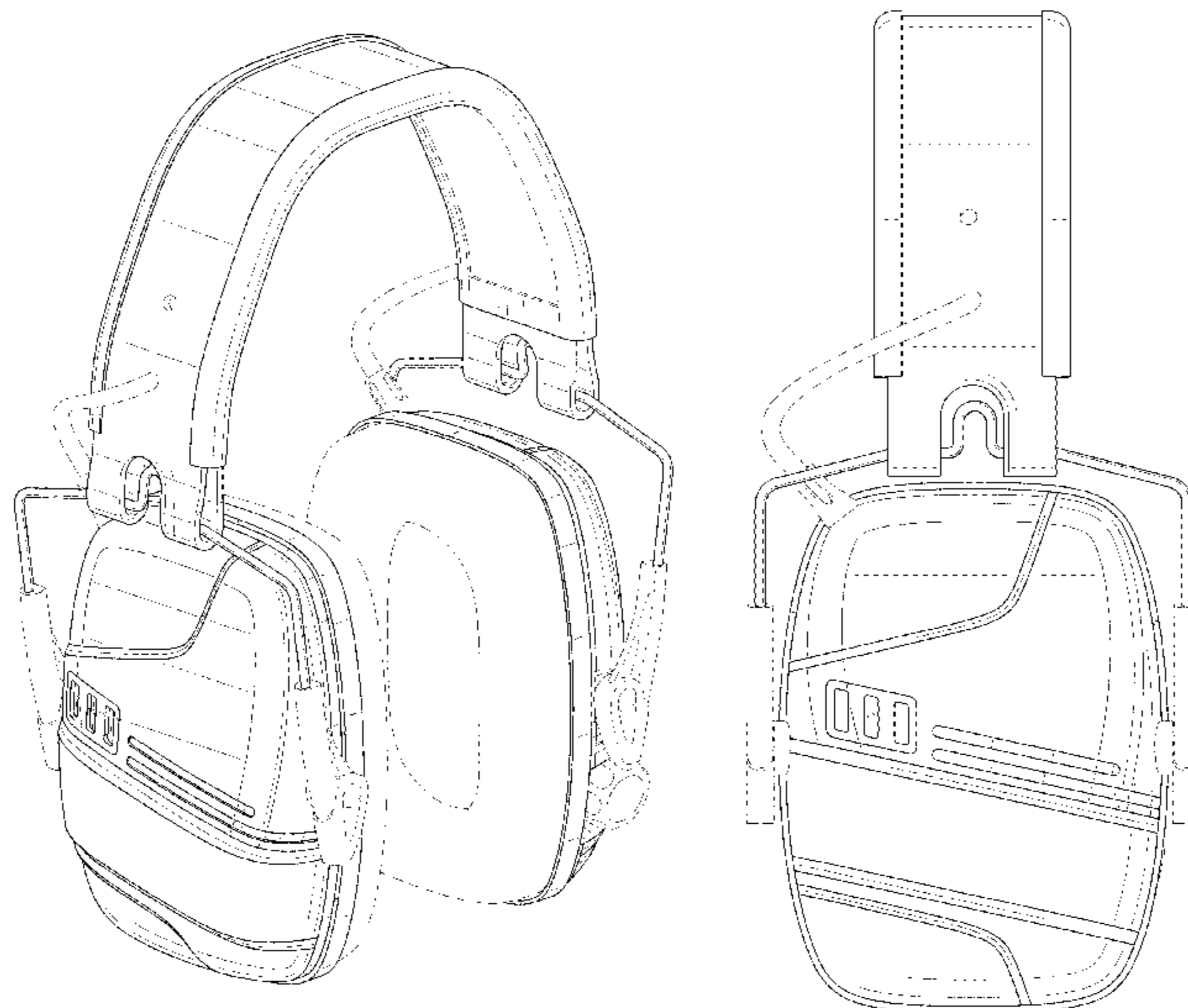
The ornamental design for a headphone, as shown and described.

DESCRIPTION

FIG. 1 is a first perspective view of a headphone showing my new design;
 FIG. 2 is a second perspective view thereof;
 FIG. 3 is a third perspective view thereof;
 FIG. 4 is a front view thereof;
 FIG. 5 is a rear view thereof;
 FIG. 6 is a left side view thereof;
 FIG. 7 is a right side view thereof;
 FIG. 8 is a top view thereof; and,
 FIG. 9 is a bottom view thereof.

The broken lines immediately adjacent the shaded areas represent the bounds of the claimed design while all other broken lines are directed to environment and are for illustrate purposes only; the broken lines form no part of the claimed design.

1 Claim, 9 Drawing Sheets



(56)

References Cited

U.S. PATENT DOCUMENTS

D602,906	S *	10/2009	Groves	D14/205
D613,266	S *	4/2010	Barry	D14/205
D617,769	S *	6/2010	Birger	D14/205
D617,771	S *	6/2010	Groves	D14/205
D633,894	S *	3/2011	Meyer	D14/205
D638,397	S *	5/2011	McManigal	D14/205
D663,900	S *	7/2012	Karlsson	A61F 11/14 D29/112
D672,745	S *	12/2012	Abed	D14/205
D691,111	S *	10/2013	Lee	D14/206
8,621,664	B2 *	1/2014	Peebles	A61F 9/029 2/10
D736,475	S *	8/2015	Fletcher	D29/112
D743,369	S *	11/2015	Mackiewicz	D14/205
D744,171	S *	11/2015	Rose	D29/112
D752,816	S *	3/2016	Fletcher	D29/112
D787,469	S *	5/2017	Djohar	D14/205
D787,470	S *	5/2017	Kelly	D14/205
D790,506	S *	6/2017	Broadley	D14/206
D796,478	S *	9/2017	Minn	D14/205
D820,813	S *	6/2018	Sharp	D14/206
D821,653	S *	6/2018	Pratley	D29/112
D831,000	S *	10/2018	Chong	D14/206
D840,977	S *	2/2019	Pu	D14/206
2005/0238189	A1 *	10/2005	Tsai	H04R 1/1075 381/309
2009/0205110	A1 *	8/2009	Chiang	A61F 11/06 2/209
2010/0046781	A1 *	2/2010	Chen	H04R 1/1091 381/371
2013/0319788	A1 *	12/2013	Franzen	A61F 11/14 181/129
2014/0268508	A1 *	9/2014	Czarnecki	H04R 5/0335 361/679.01

* cited by examiner

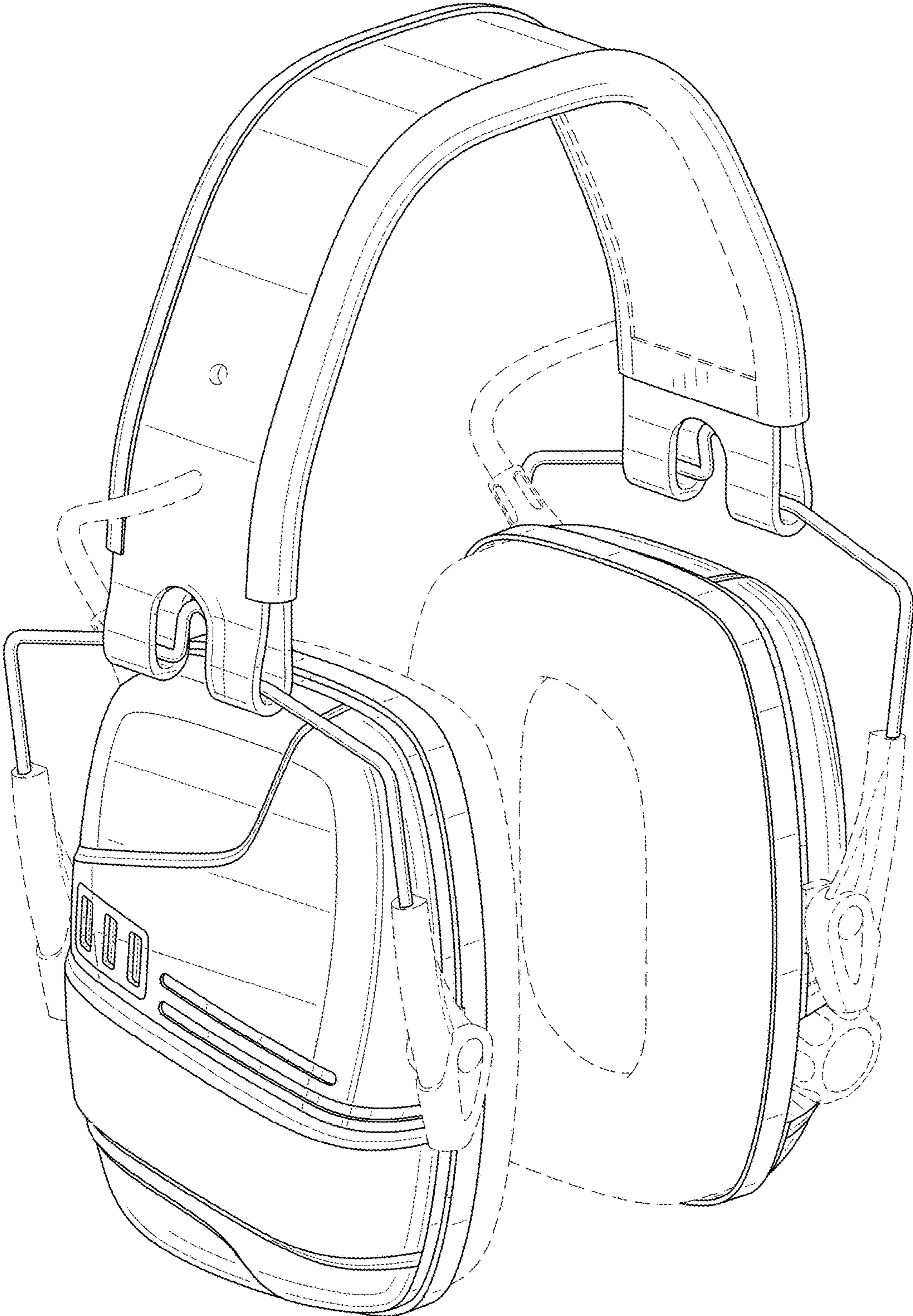


FIG. 1

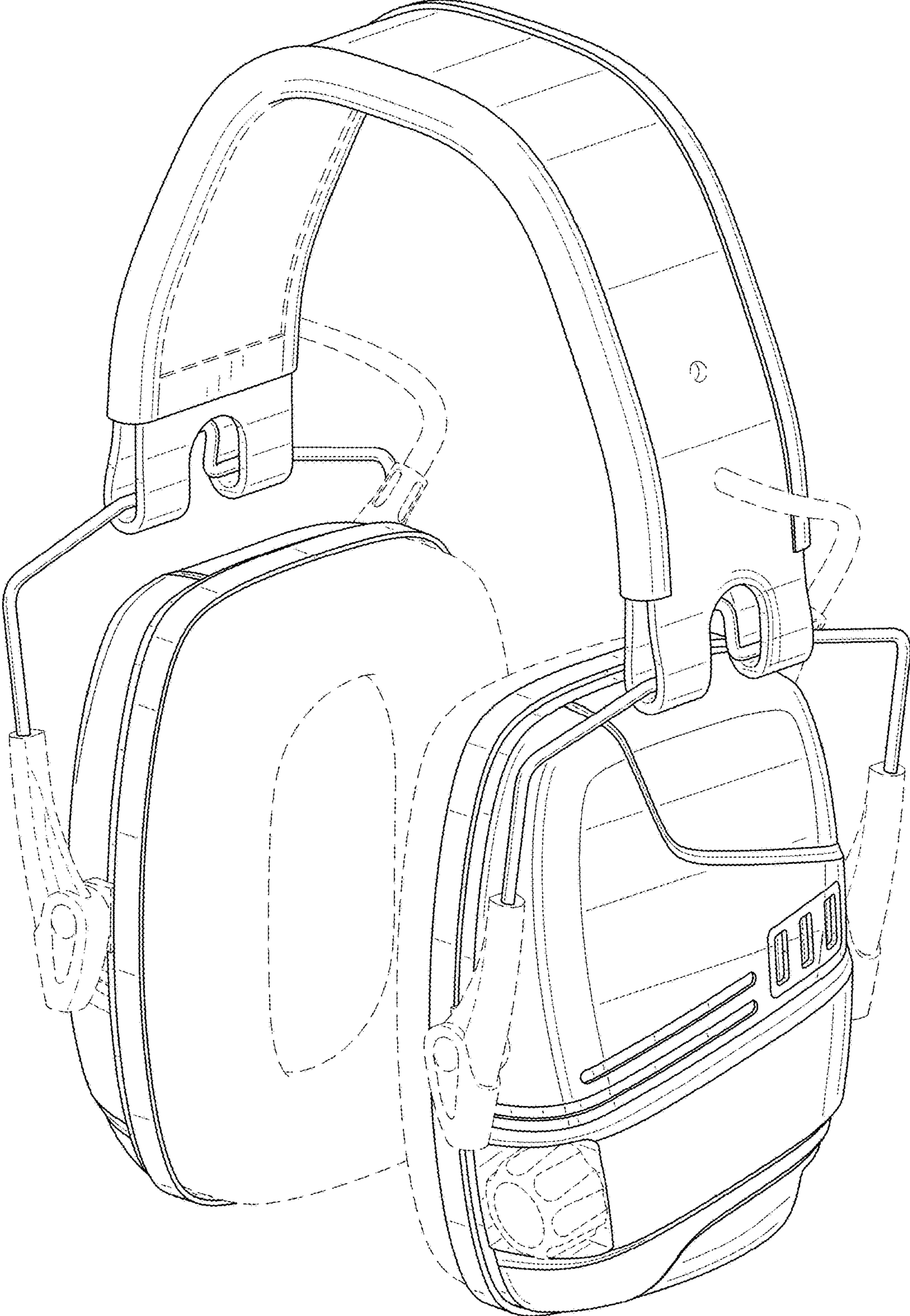


FIG. 2

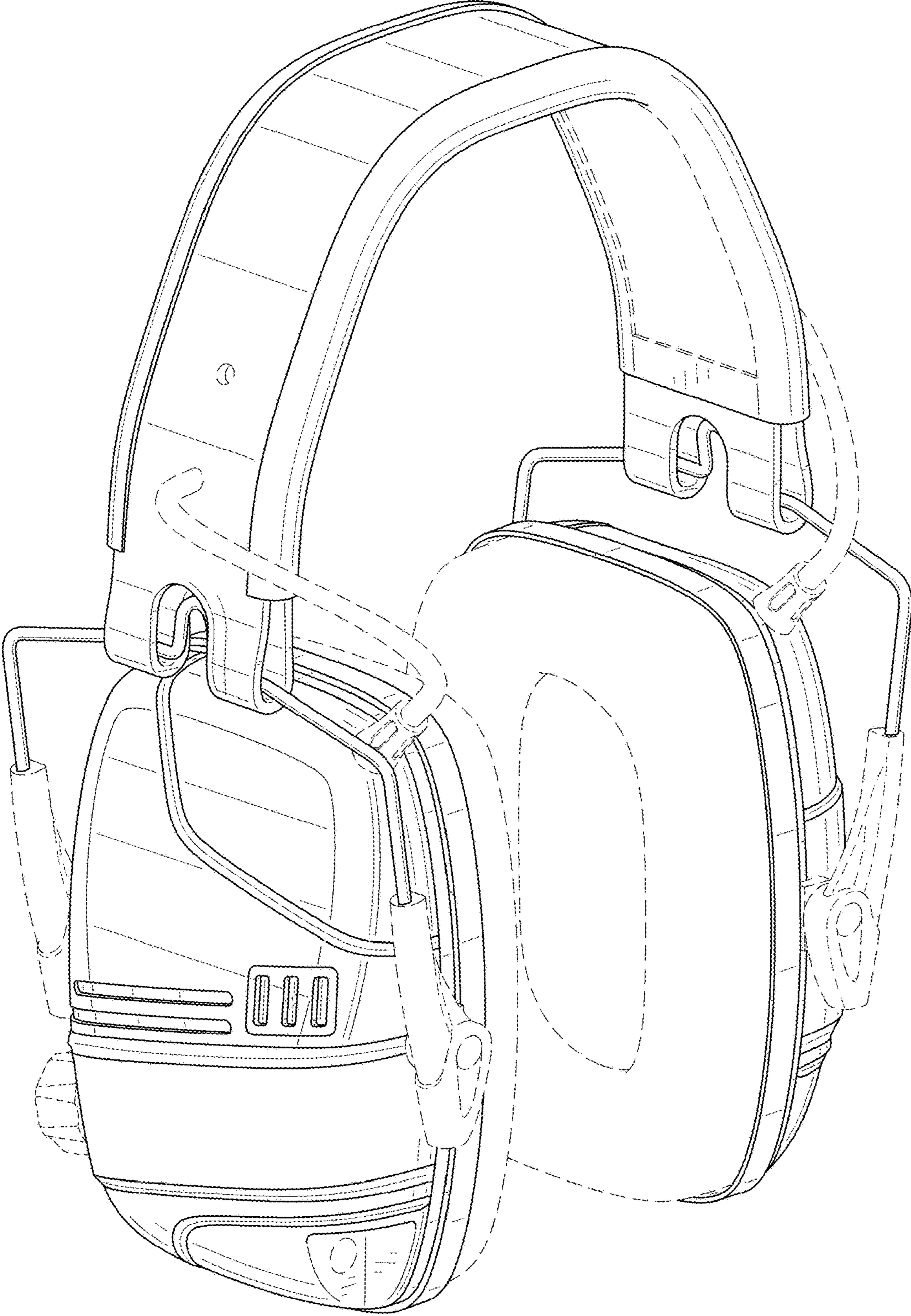


FIG. 3

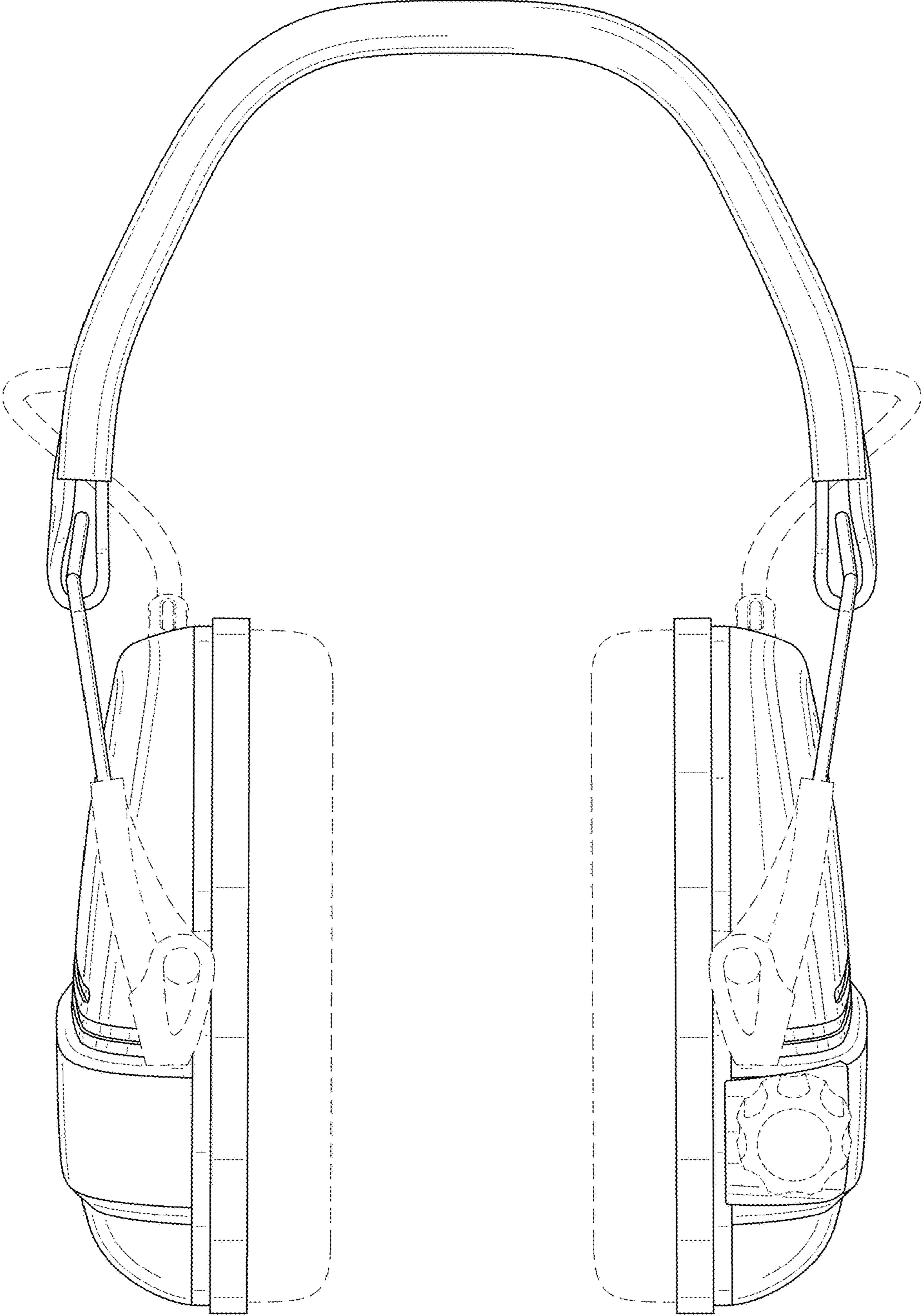


FIG. 4

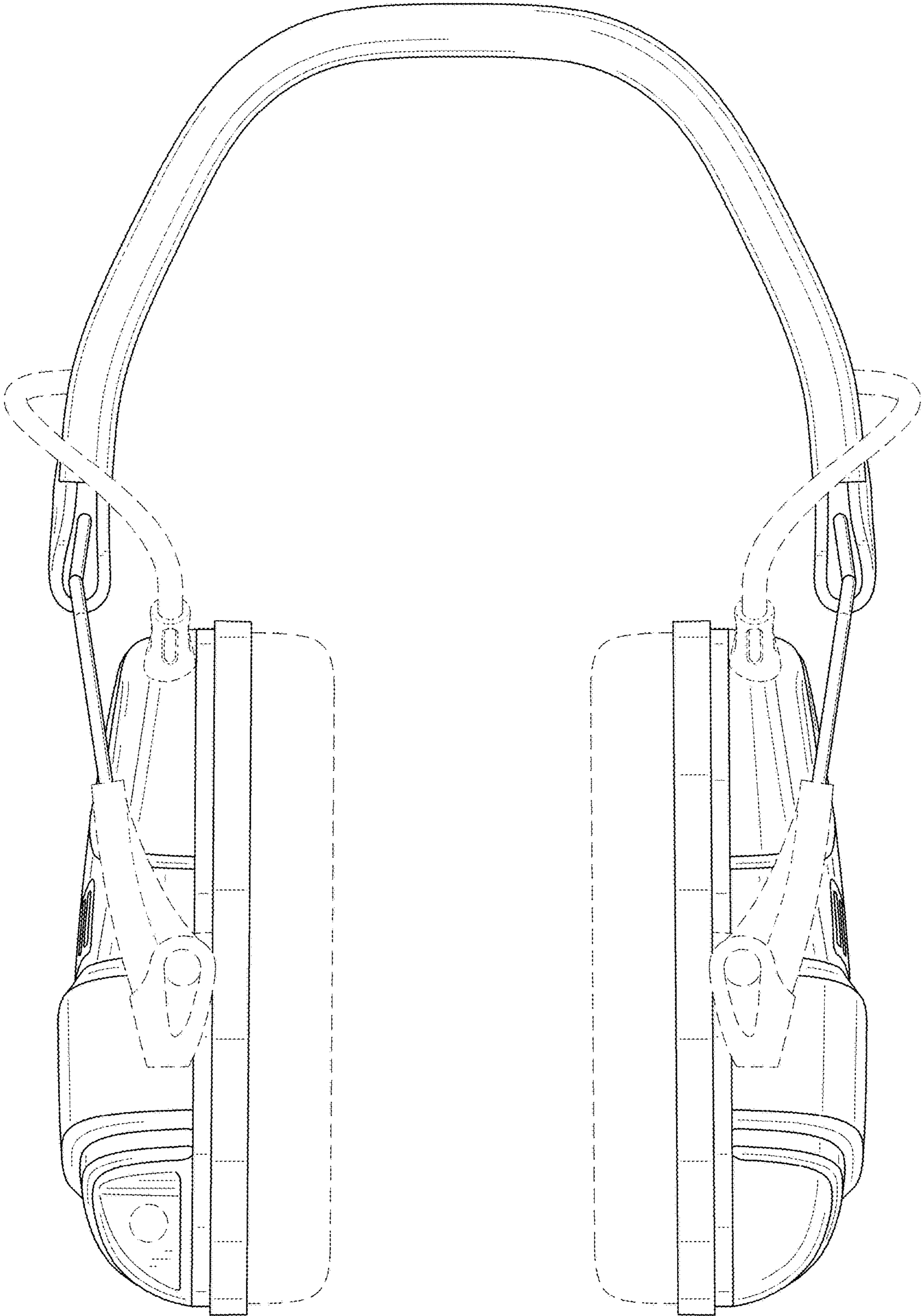


FIG. 5

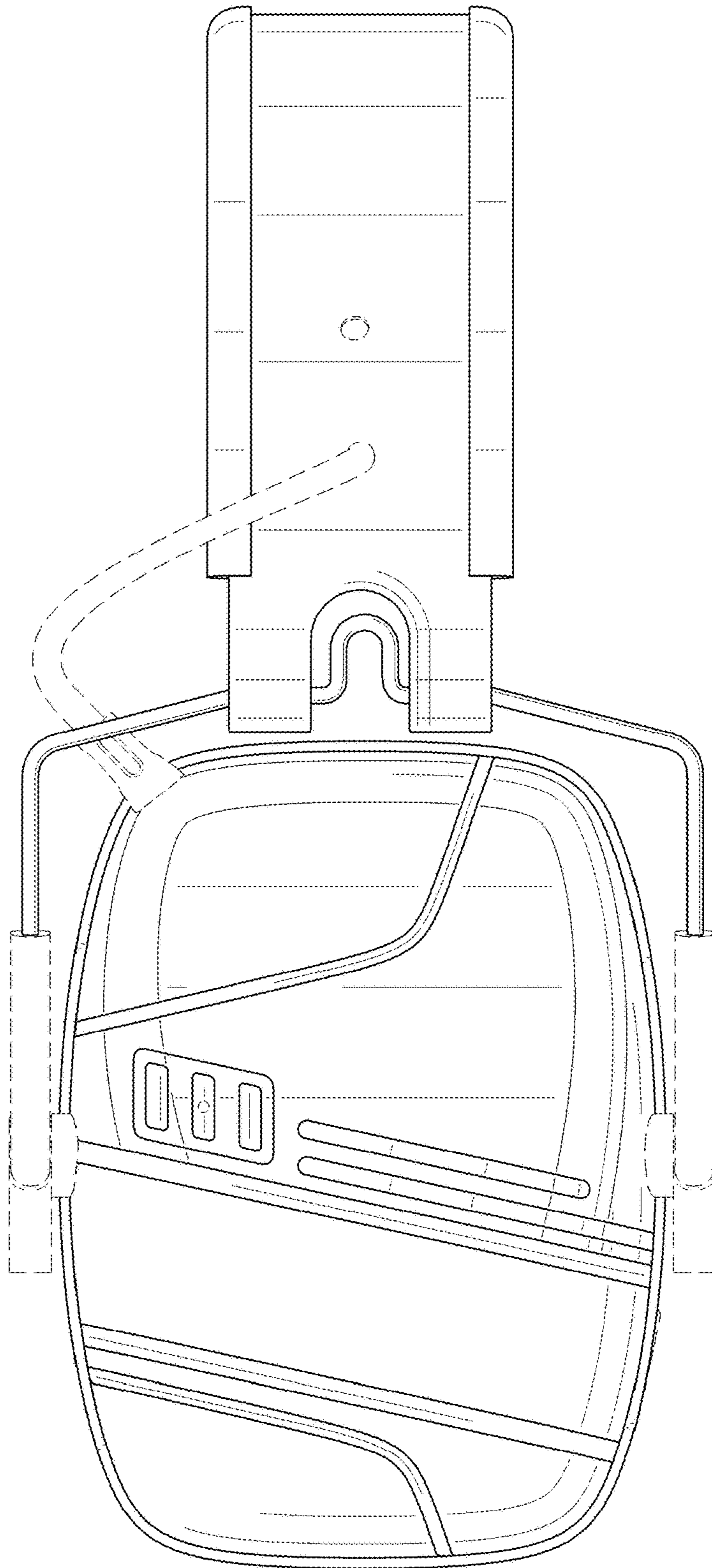


FIG. 6

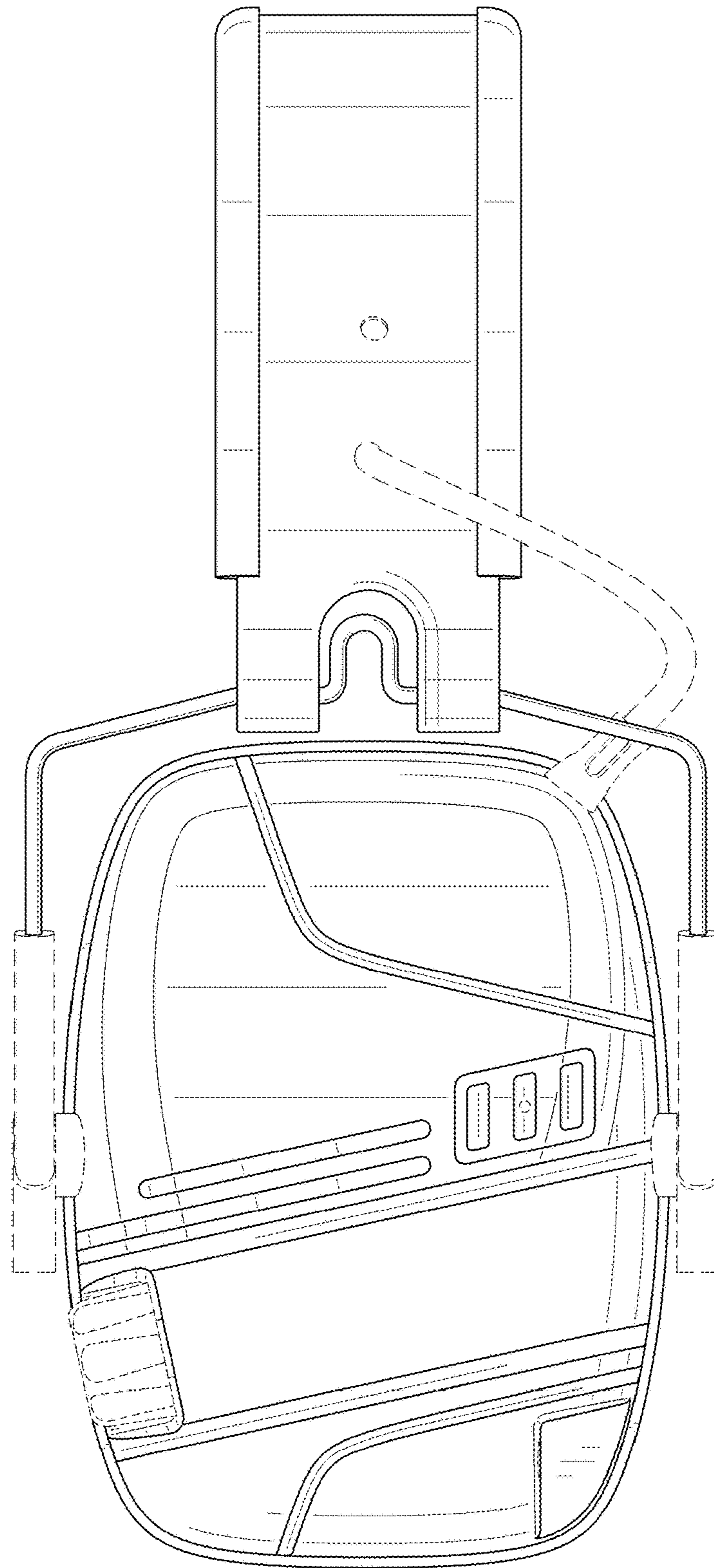


FIG. 7

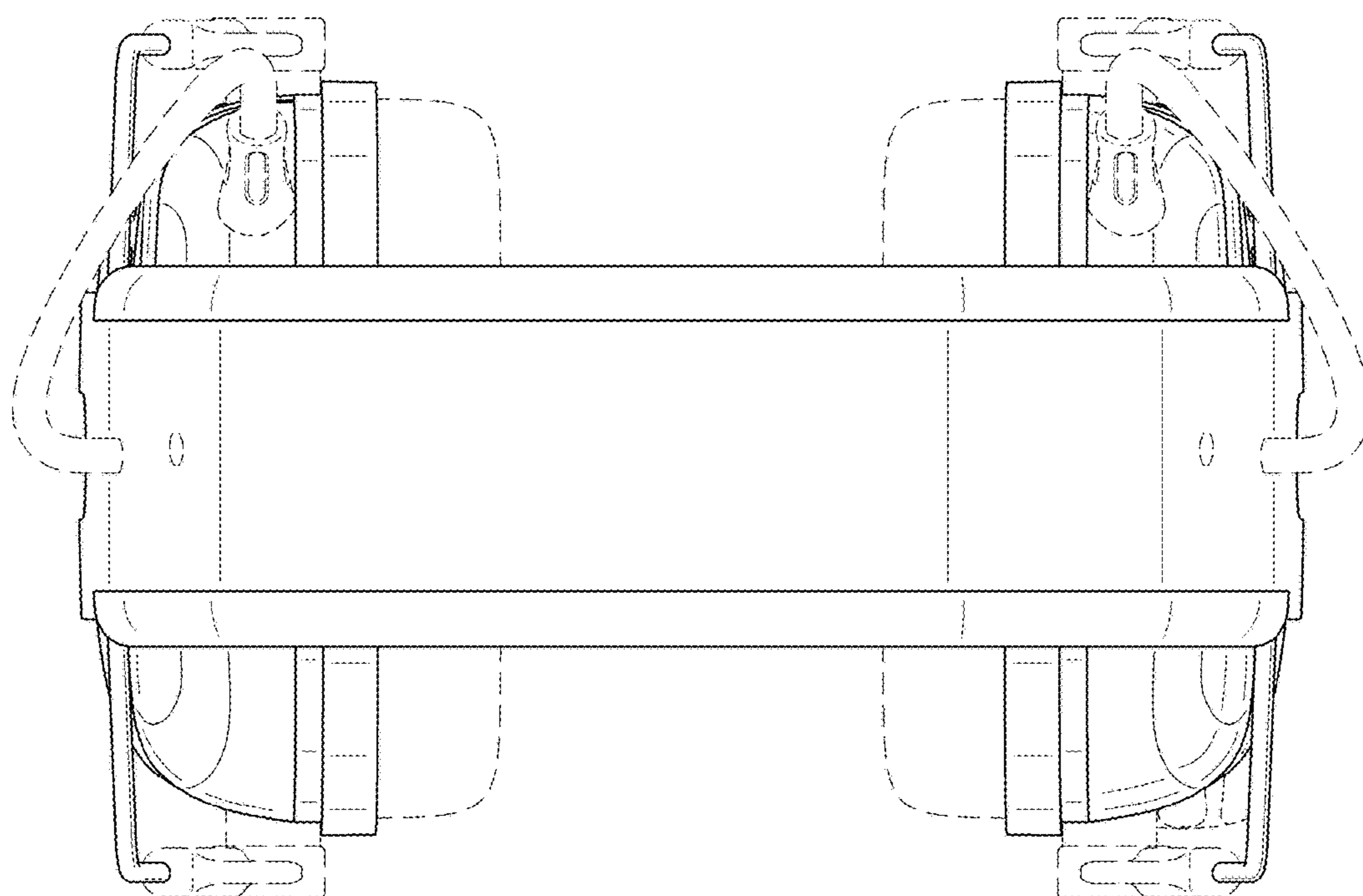


FIG. 8

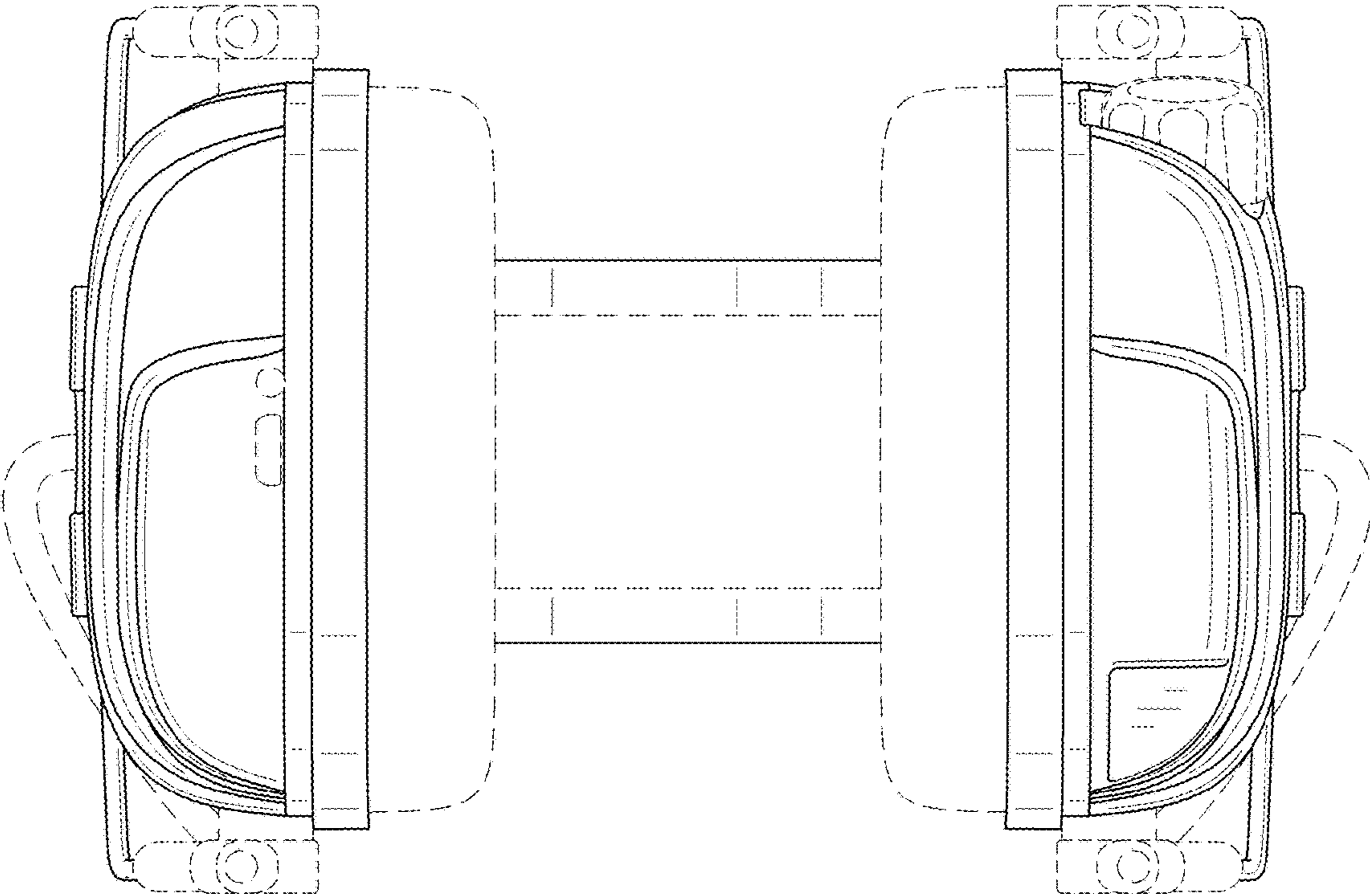


FIG. 9