



US00D854513S

(12) **United States Design Patent**  
**Miyake et al.**

(10) **Patent No.:** **US D854,513 S**  
(45) **Date of Patent:** **\*\* Jul. 23, 2019**

- (54) **HEADPHONE**
- (71) Applicant: **Pioneer DJ CORPORATION**,  
Yokohama-shi, Kanagawa (JP)
- (72) Inventors: **Kazushige Miyake**, Tokyo (JP); **Kota Kato**, Tokyo (JP); **Daisuke Ishigami**,  
Tokyo (JP)
- (73) Assignee: **Pioneer DJ CORPORATION**,  
Yokohama-shi, Kanagawa (JP)
- (\*\*) Term: **15 Years**
- (21) Appl. No.: **29/631,846**
- (22) Filed: **Jan. 3, 2018**
- (30) **Foreign Application Priority Data**

Aug. 28, 2017 (JP) ..... 2017-018385

- (51) **LOC (11) Cl.** ..... **14-01**
- (52) **U.S. Cl.**  
USPC ..... **D14/205; D14/206**
- (58) **Field of Classification Search**  
USPC ..... D14/205, 206, 188, 192; D29/112;  
2/209; 181/129, 130, 135; 379/430, 431;  
381/380, 381, 374, 74; 455/90.3, 575.1,  
455/569.1  
CPC ..... H04R 25/00; H04R 1/10; H04R 1/1066;  
H04R 1/1016; H04R 5/033; H04R 5/0335  
See application file for complete search history.

(56) **References Cited**

**U.S. PATENT DOCUMENTS**

- 1,483,315 A \* 2/1924 Saal ..... H04R 1/1066  
381/374
- 1,648,832 A \* 11/1927 Urban ..... H04R 1/1008  
181/129

- 4,037,064 A \* 7/1977 Yasuda ..... H04R 1/08  
381/26
- D246,519 S \* 11/1977 Kato ..... D14/205
- 4,065,645 A \* 12/1977 Warner ..... H04R 5/0335  
381/371
- D254,183 S \* 2/1980 Doodson ..... D14/205
- D337,115 S \* 7/1993 Yamazaki ..... D14/205
- D345,163 S \* 3/1994 Yamatogi ..... D14/205
- D376,598 S \* 12/1996 Hayashi ..... D14/205
- 5,640,458 A \* 6/1997 Nishiguchi ..... G11C 7/16  
381/2
- 5,708,725 A \* 1/1998 Ito ..... H04R 1/1041  
381/370
- D410,466 S \* 6/1999 Mouri ..... D14/205
- D420,356 S \* 2/2000 Suzuki ..... D14/205
- 6,081,604 A \* 6/2000 Hikichi ..... H04R 1/083  
381/124
- D435,249 S \* 12/2000 Yasutomi ..... D14/205
- D467,580 S \* 12/2002 Mori ..... D14/223
- 6,629,579 B1 \* 10/2003 Hasegawa ..... H04R 1/1066  
181/129
- 6,654,966 B2 \* 12/2003 Rolla ..... H04R 1/1066  
2/209

(Continued)

*Primary Examiner* — Paula Allen Greene

(74) *Attorney, Agent, or Firm* — Drinker Biddle & Reath  
LLP

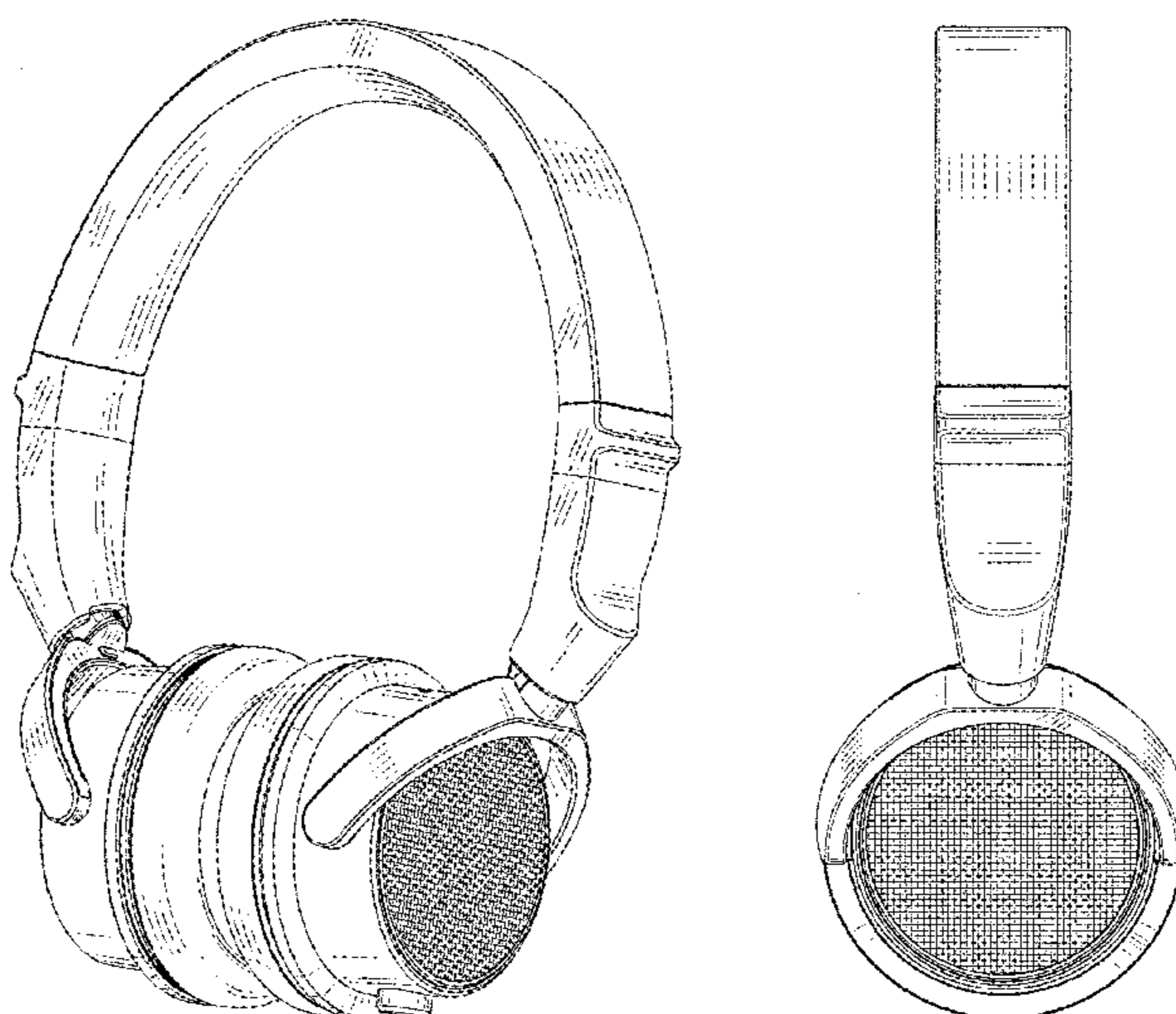
(57) **CLAIM**

We claim the ornamental design for a headphone, as shown  
and described.

**DESCRIPTION**

FIG. 1 is a right-front perspective view showing the design.  
FIG. 2 is an upper-right-rear perspective view thereof.  
FIG. 3 is a front view thereof.  
FIG. 4 is a rear view thereof.  
FIG. 5 is a left-side view thereof.  
FIG. 6 is a right-side view thereof.  
FIG. 7 is a top view thereof; and,  
FIG. 8 is a bottom view thereof.

**1 Claim, 8 Drawing Sheets**



# US D854,513 S

Page 2

(56)

## References Cited

### U.S. PATENT DOCUMENTS

D514,087 S \* 1/2006 Wilson ..... D14/206  
D567,215 S \* 4/2008 Lee ..... D14/205  
7,388,960 B2 \* 6/2008 Kuo ..... H04R 1/1041  
379/430  
D573,581 S \* 7/2008 Gondo ..... D14/205  
D581,394 S \* 11/2008 Lee ..... D14/205  
D585,871 S \* 2/2009 Lee ..... D14/205  
D594,847 S \* 6/2009 Suzuki ..... D14/205  
D603,370 S \* 11/2009 Suzuki ..... D14/205  
D625,705 S \* 10/2010 Ohori ..... D14/205  
D639,775 S \* 6/2011 Horibe ..... D14/205  
D639,776 S \* 6/2011 Arimoto ..... D14/205  
D642,554 S \* 8/2011 Schaal ..... D14/205  
D664,118 S \* 7/2012 Tappeiner ..... D14/205  
8,325,962 B2 \* 12/2012 Ishida ..... H04R 5/0335  
381/370  
D673,521 S \* 1/2013 Yoneyama ..... D14/205  
D675,595 S \* 2/2013 Cho ..... D14/205  
D684,138 S \* 6/2013 Groset ..... D14/205  
8,559,665 B2 \* 10/2013 Schmidt ..... H04R 1/1066  
381/370  
D719,136 S \* 12/2014 Schaal ..... D14/205  
D722,998 S \* 2/2015 Sancho ..... D14/205  
D725,074 S \* 3/2015 Boeckel ..... D14/205  
D727,286 S \* 4/2015 Galler ..... D14/205  
D728,512 S \* 5/2015 Nakagawa ..... D14/205  
D746,790 S \* 1/2016 Strasberg ..... D14/205  
D752,017 S \* 3/2016 Daniel ..... D14/205  
D765,055 S \* 8/2016 Hsieh ..... D14/205  
D778,258 S \* 2/2017 Hsu ..... D14/205  
D812,588 S \* 3/2018 Levine ..... D14/205  
D832,813 S \* 11/2018 Levine ..... D14/205  
D836,084 S \* 12/2018 Xie ..... D14/205  
D838,687 S \* 1/2019 Wu ..... D14/205  
D840,370 S \* 2/2019 Kelly ..... D14/205  
2005/0053255 A1 \* 3/2005 Harris ..... H04R 1/1066  
381/379  
2010/0177907 A1 \* 7/2010 Morisawa ..... H04R 1/1066  
381/74  
2017/0041697 A1 \* 2/2017 Levine ..... H04R 1/1033  
\* cited by examiner

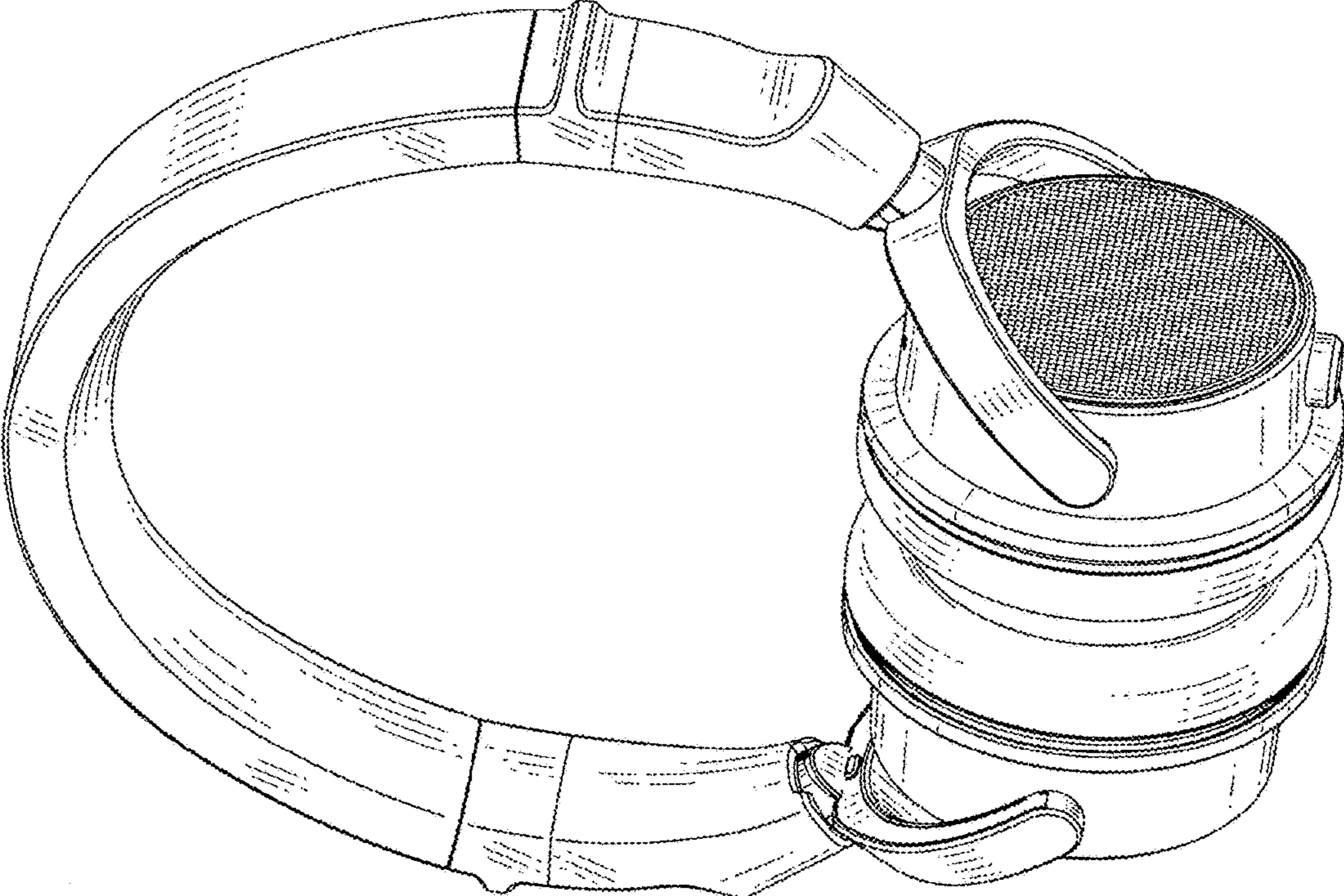


FIG. 1

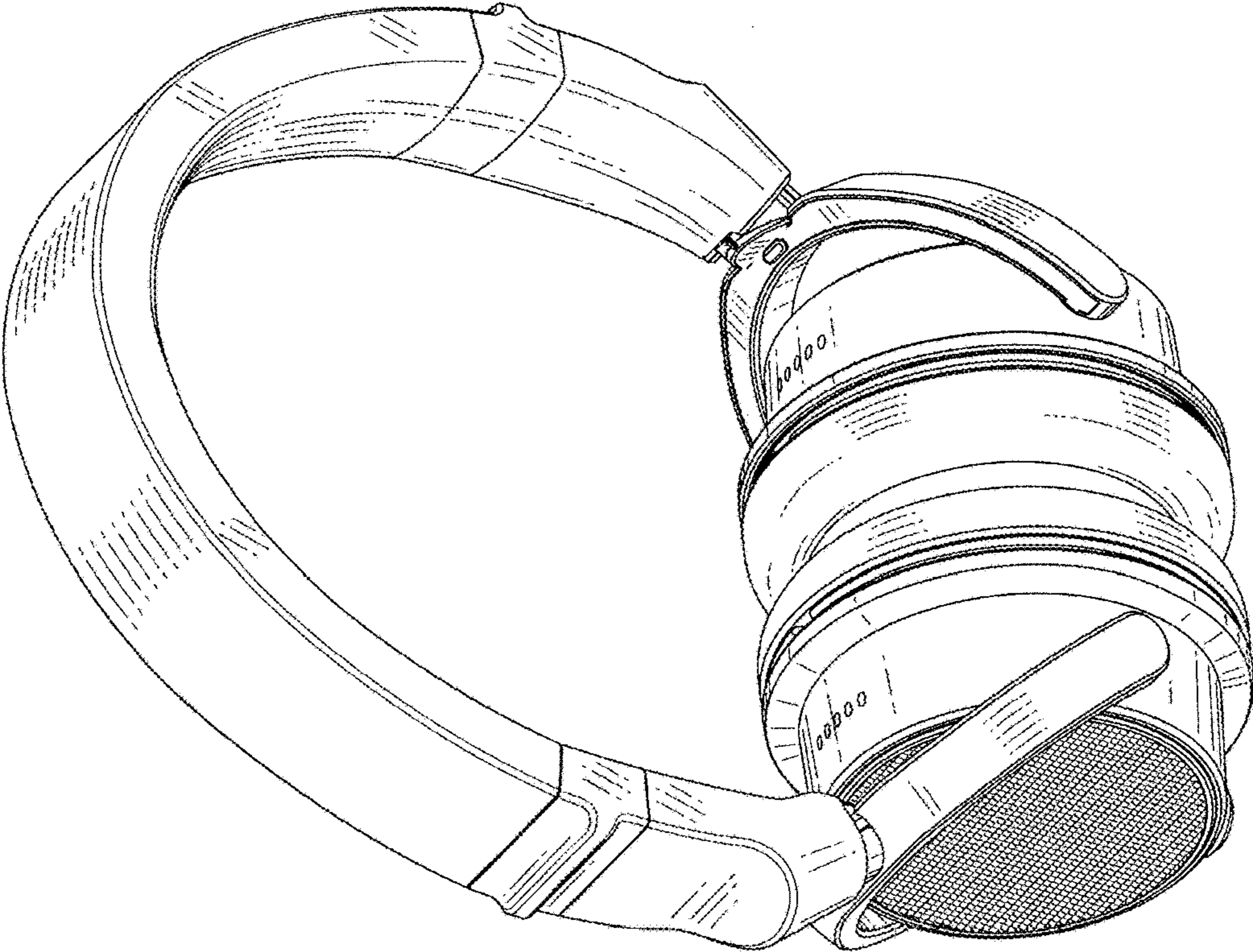


FIG. 2

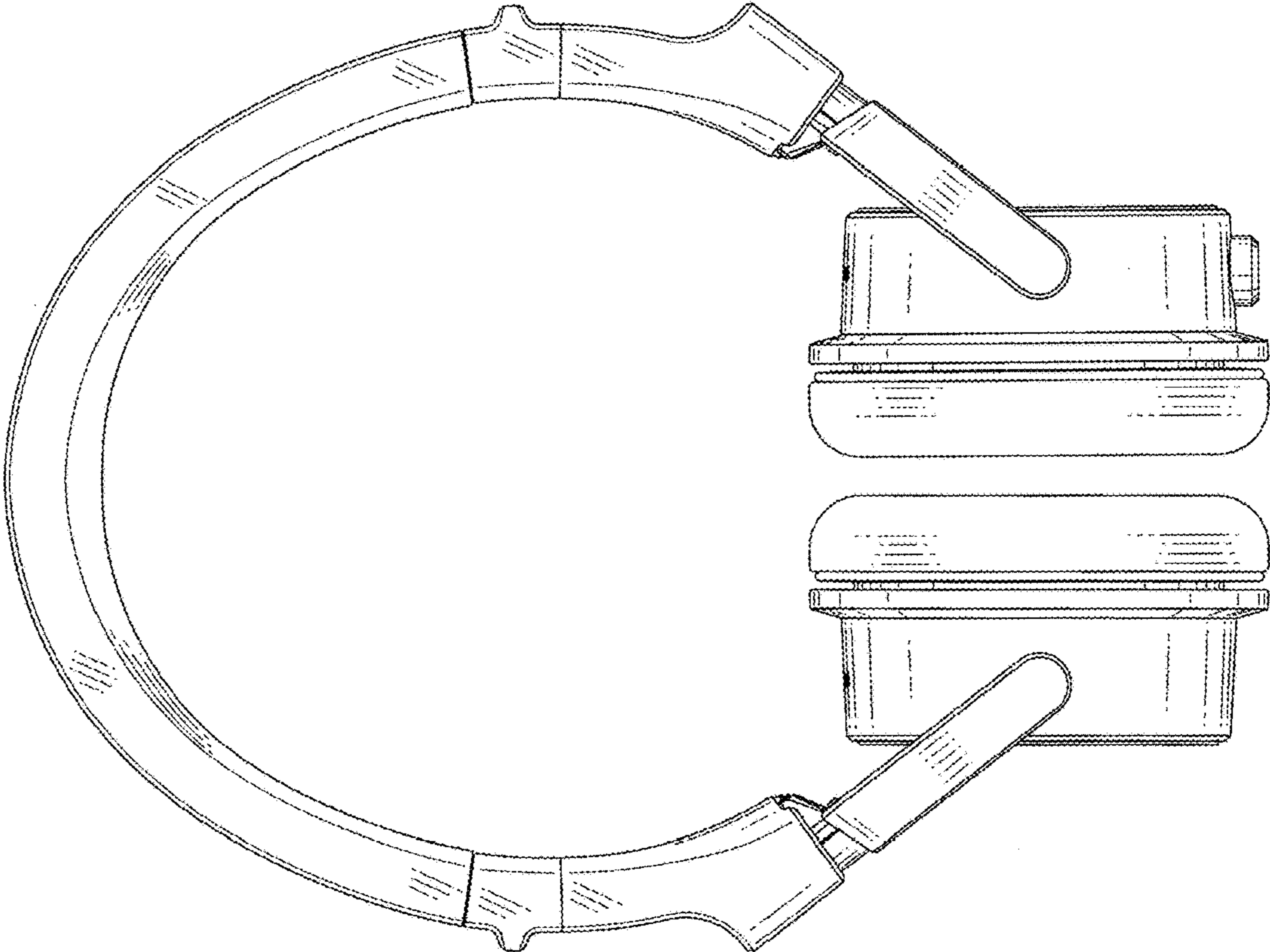


FIG. 3

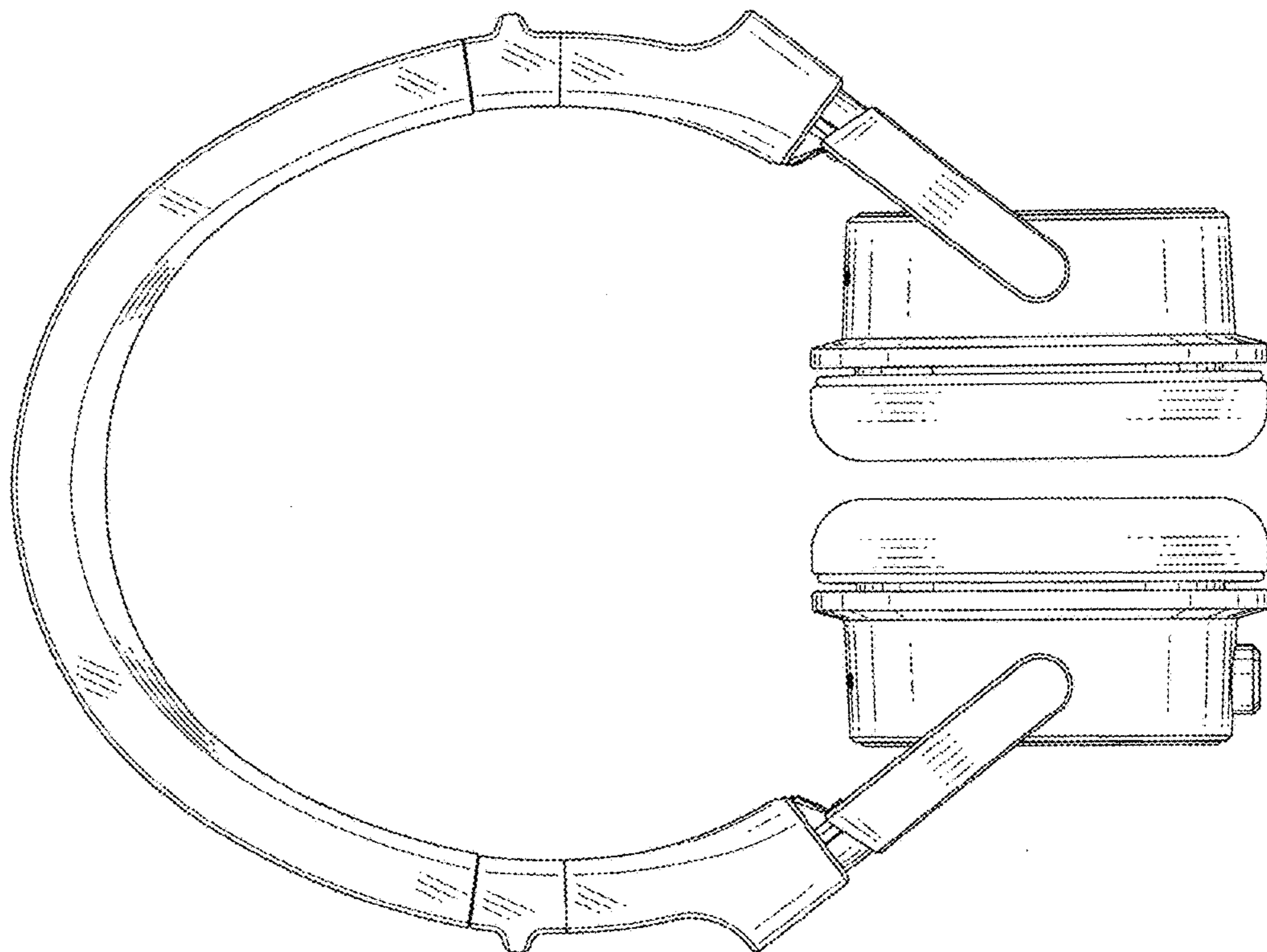


FIG. 4

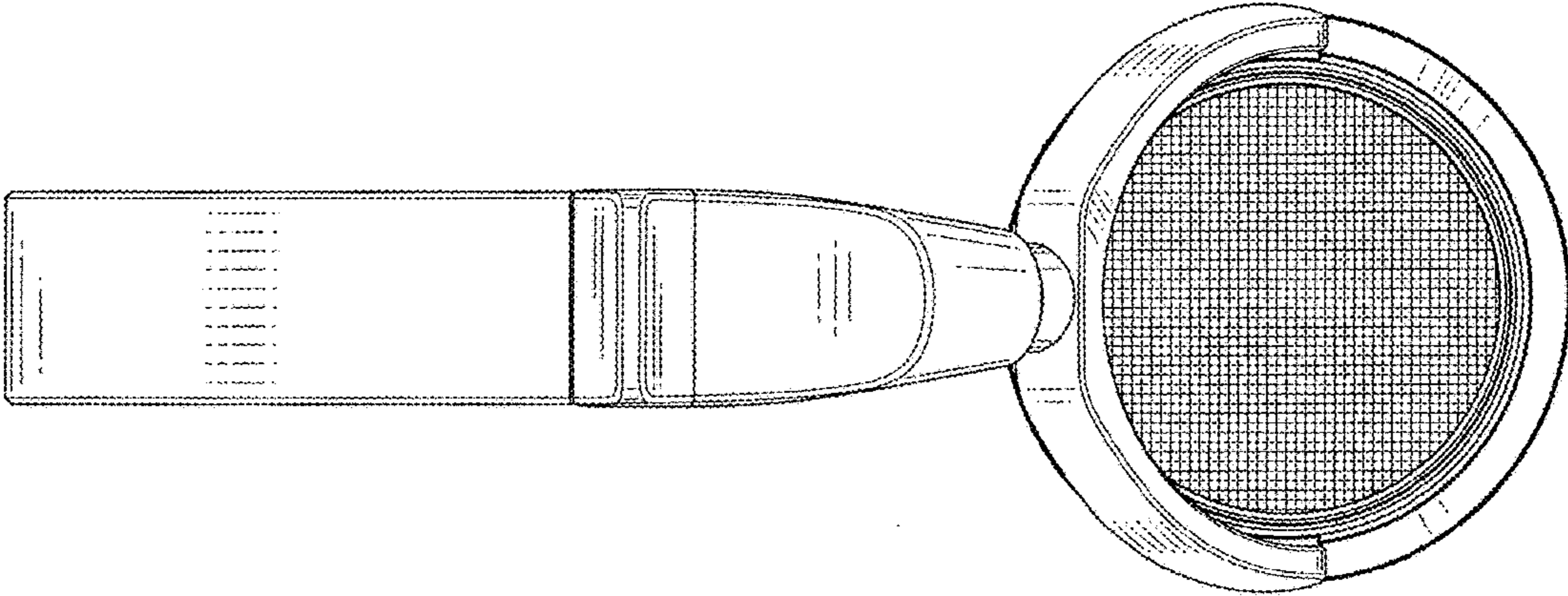


FIG. 5

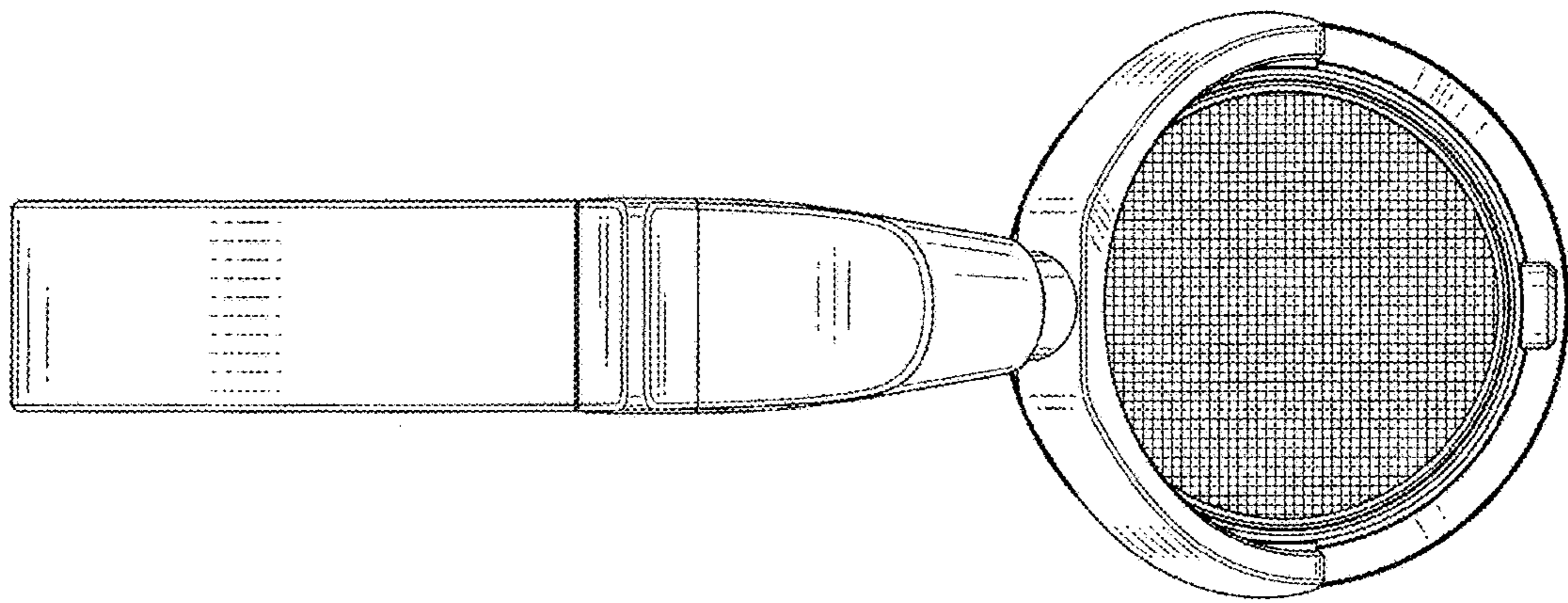


FIG. 6



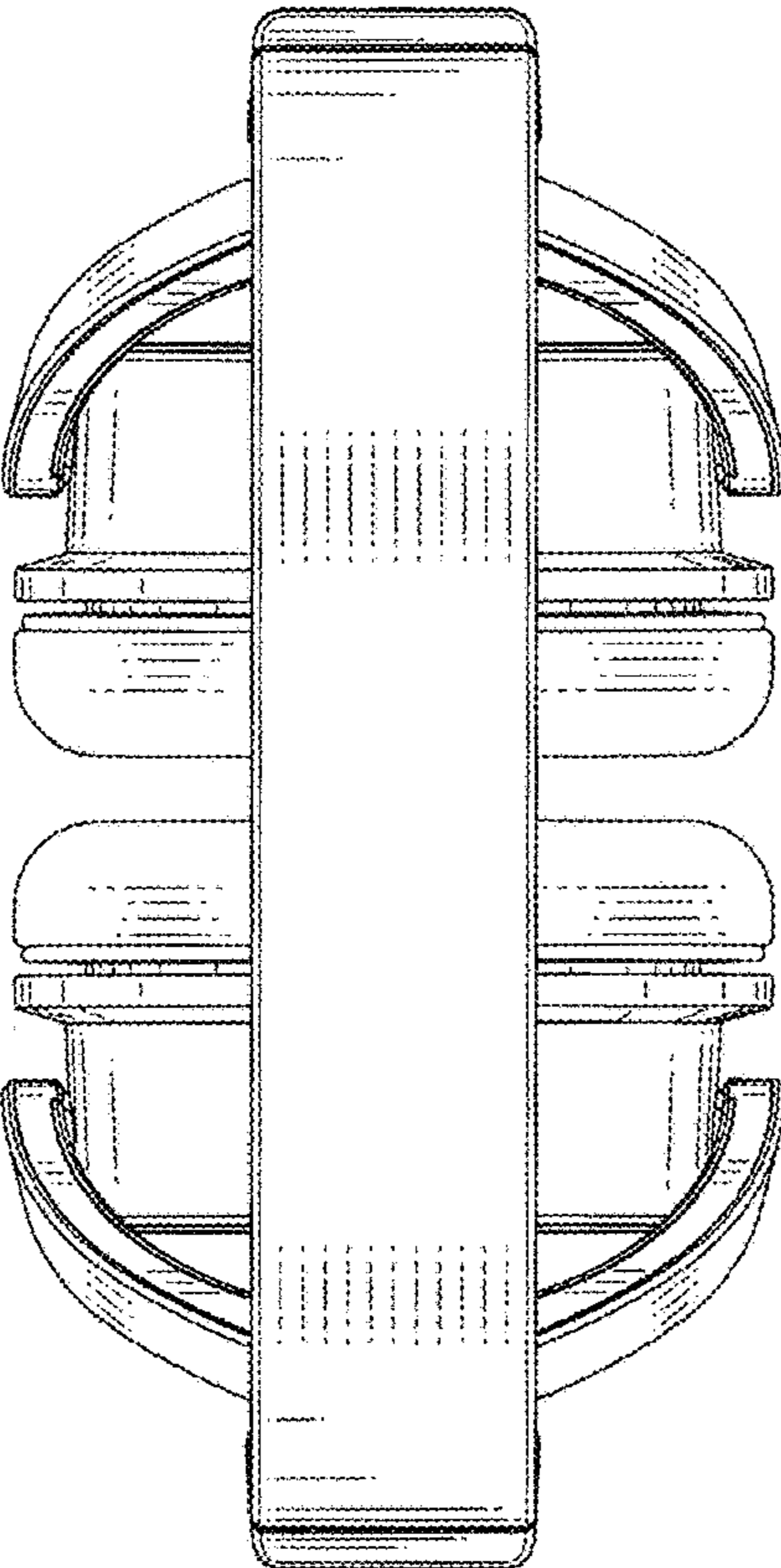


FIG. 7

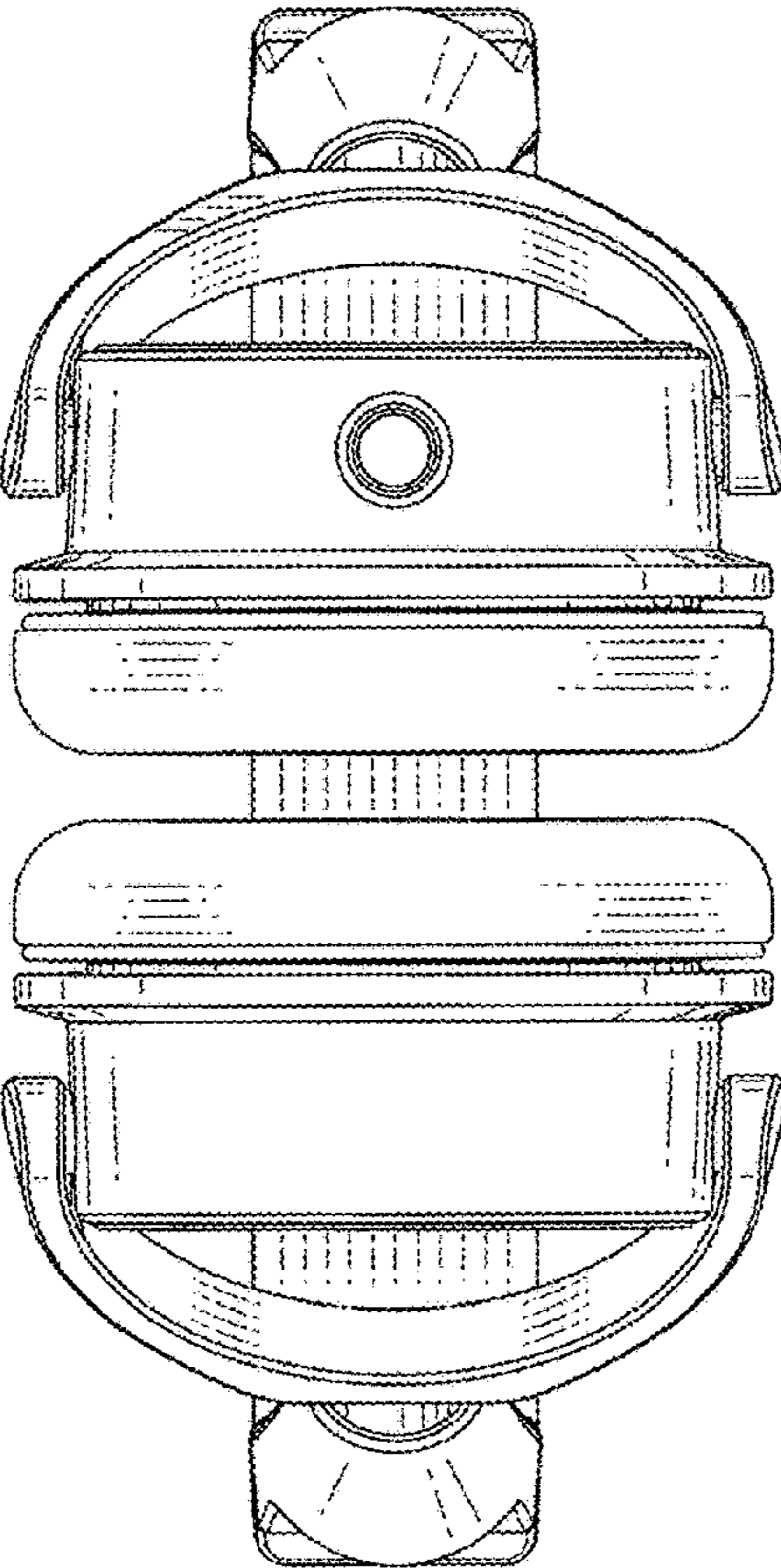


FIG. 8