



US00D854511S

(12) **United States Design Patent** (10) **Patent No.:** **US D854,511 S**
Yashiro et al. (45) **Date of Patent:** **** Jul. 23, 2019**

(54) **HEADPHONE**
(71) Applicant: **Sony Corporation**, Tokyo (JP)
(72) Inventors: **Shogo Yashiro**, Kanagawa (JP); **Mayu Kosaka**, Tokyo (JP)
(73) Assignee: **SONY CORPORATION**, Tokyo (JP)
(**) Term: **15 Years**

5,101,504 A 3/1992 Lenz
D328,074 S * 7/1992 Yamazaki D14/205
D328,461 S * 8/1992 Daido D14/205
5,185,807 A 2/1993 Bergin et al.
D336,646 S 6/1993 Yamazaki et al.
D337,115 S * 7/1993 Yamazaki D14/205
D353,817 S * 12/1994 Wada D14/205
D457,512 S 5/2002 Yoneda

(Continued)

(21) Appl. No.: **29/589,769**
(22) Filed: **Jan. 4, 2017**
Related U.S. Application Data
(63) Continuation-in-part of application No. 29/543,835, filed on Oct. 28, 2015, now abandoned.

FOREIGN PATENT DOCUMENTS

JP D15328456 S 9/2015
Primary Examiner — Paula Allen Greene
(74) *Attorney, Agent, or Firm* — Michael Best and Friedrich LLP

(30) **Foreign Application Priority Data**
Aug. 28, 2015 (CN) 2015 3 0329640
Aug. 19, 2016 (JP) D2016-017682
Aug. 30, 2016 (CN) 2016 3 0445722
Dec. 18, 2016 (CN) 2016 3 0652631

(57) **CLAIM**

The ornamental design for a headphone, as shown and described.

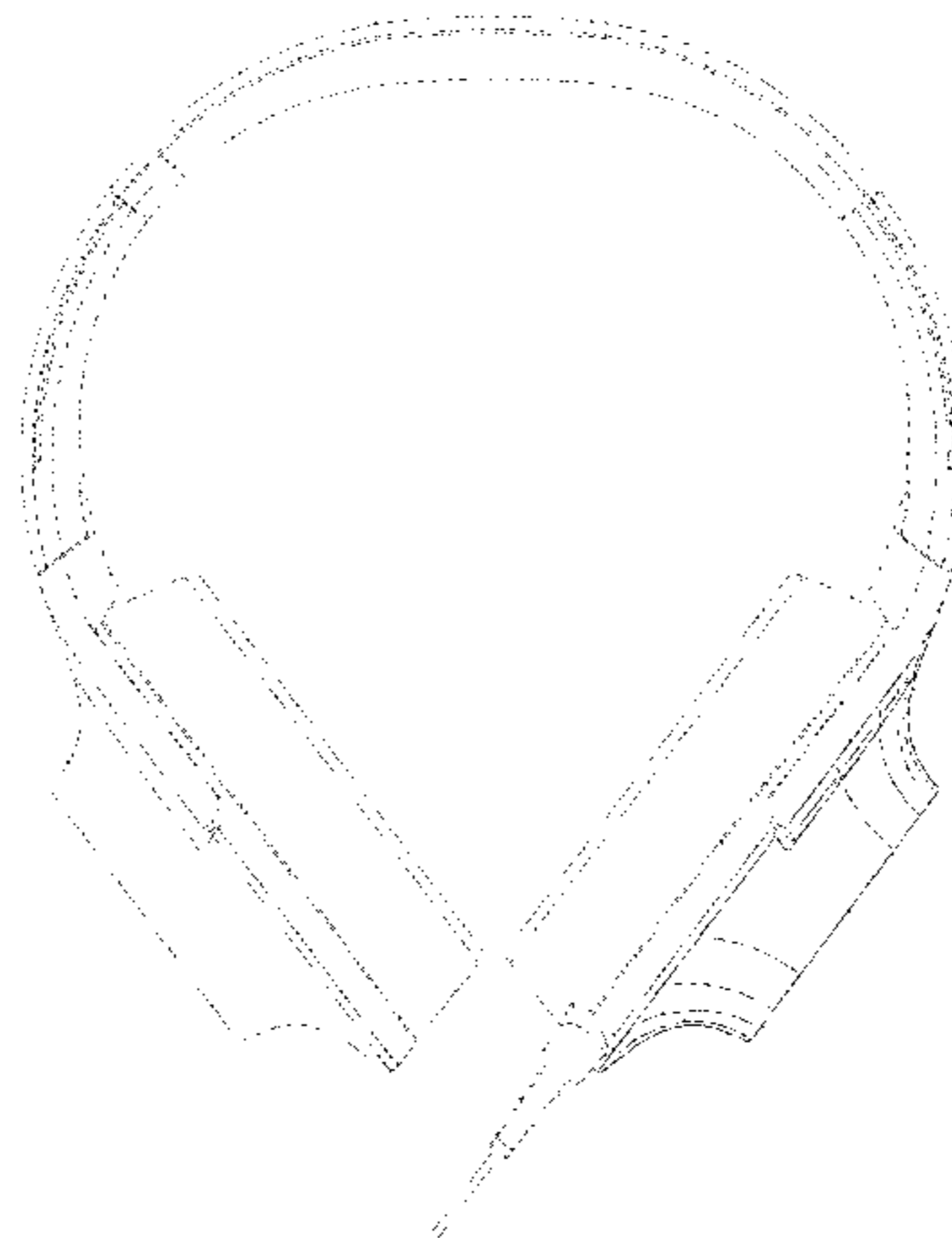
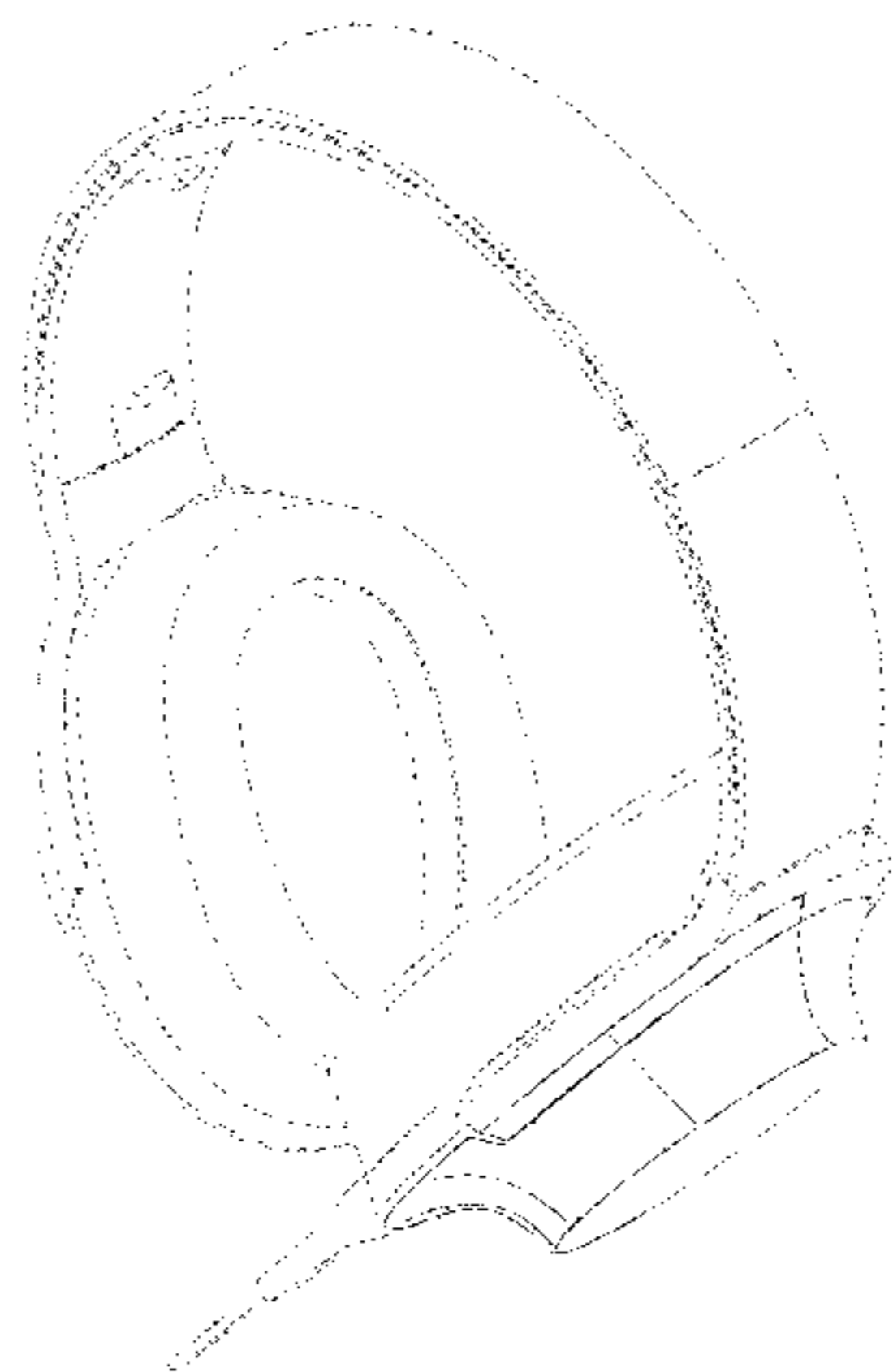
(51) **LOC (11) Cl.** **14-01**
(52) **U.S. Cl.**
USPC **D14/205**
(58) **Field of Classification Search**
USPC D14/205, 223, 224, 188, 192; D29/112;
2/209; 181/129, 130, 135; 379/430, 431;
381/380, 381, 374; 455/90.3, 575.1,
455/569.1
CPC H04R 1/1066; H04R 1/1016; H04R 5/033;
H04R 5/0335; H04R 25/00
See application file for complete search history.

DESCRIPTION

FIG. 1 is a front, top, right perspective view of a first embodiment of a headphone showing my new design; FIG. 2 is a front, bottom, right perspective view thereof; FIG. 3 is a front elevational view thereof; FIG. 4 is a right side elevational view thereof; and FIG. 5 is a bottom plan view thereof. FIG. 6 is rear, bottom, right perspective view of a second embodiment of a headphone showing my new design; FIG. 7 is a front, bottom, right perspective view thereof; FIG. 8 is a front elevational view thereof; FIG. 9 is a right side elevational view thereof; and, FIG. 10 is a bottom plan view thereof. The broken lines showing the headphone portions are unclaimed portions thereof and form no part of the claimed design. The dot-dash broken lines showing boundaries of the claimed design and form no part of the claimed design.

(56) **References Cited**
U.S. PATENT DOCUMENTS
D292,205 S 10/1987 Kikutani
5,018,599 A * 5/1991 Dohi H04R 1/1008
181/129

1 Claim, 10 Drawing Sheets



(56)

References Cited

U.S. PATENT DOCUMENTS

D458,246 S 6/2002 Davies et al.
 D491,163 S 6/2004 Green
 D512,708 S 12/2005 Harris, Jr. et al.
 D532,407 S 11/2006 Motoishi
 D534,155 S * 12/2006 Obata D14/205
 D538,261 S * 3/2007 Taylor D14/205
 D539,788 S 4/2007 Thompson et al.
 D539,789 S 4/2007 Rausch et al.
 D540,303 S 4/2007 Rausch et al.
 D541,255 S * 4/2007 Taylor D14/205
 D541,256 S 4/2007 Rausch et al.
 D549,688 S 8/2007 Suzuki
 D552,077 S 10/2007 Brunner et al.
 D563,382 S * 3/2008 Wikel D14/205
 7,388,960 B2 * 6/2008 Kuo H04R 1/1041
 379/430
 D573,581 S * 7/2008 Gondo D14/205
 7,412,070 B2 * 8/2008 Kleinschmidt H04R 1/1083
 381/370
 D581,394 S * 11/2008 Lee D14/205
 D585,871 S 2/2009 Lee
 D594,847 S * 6/2009 Suzuki D14/205
 D600,674 S * 9/2009 Brennwald D14/205
 D602,008 S * 10/2009 Bentley D14/205
 D602,917 S * 10/2009 Bentley D14/224
 D603,370 S 11/2009 Suzuki
 D603,376 S * 11/2009 Blasko D14/223
 D620,781 S * 8/2010 Weckworth D8/356
 D628,554 S * 12/2010 Tedja D14/205
 7,853,035 B2 * 12/2010 Tsunoda H04R 1/1066
 381/374
 D635,962 S 4/2011 Kelley
 D642,554 S * 8/2011 Schaal D14/205
 D643,530 S * 8/2011 Ramstad D24/133

8,098,872 B2 * 1/2012 Chang H04R 1/1075
 381/370
 D662,080 S * 6/2012 Carr D14/205
 D662,089 S * 6/2012 Gougherty D14/224
 D664,113 S * 7/2012 Katsumata D14/205
 D665,775 S * 8/2012 Katsumata D14/205
 D666,990 S * 9/2012 Komiyama D14/205
 D667,813 S * 9/2012 Hickson A61F 11/008
 D14/205
 D669,450 S * 10/2012 Katsumata D14/205
 D669,888 S * 10/2012 Gougherty D14/223
 D676,021 S * 2/2013 Stevinson D14/205
 D676,022 S * 2/2013 Stevinson D14/205
 D676,416 S * 2/2013 Stevinson D14/205
 D677,243 S * 3/2013 Kitayama D14/205
 D684,145 S * 6/2013 Rath D14/206
 D684,559 S 6/2013 Groset et al.
 D686,593 S * 7/2013 Larsen D14/205
 D699,702 S * 2/2014 Chen D14/205
 D706,241 S 6/2014 Szymanski et al.
 D707,655 S 6/2014 Porter
 D721,052 S * 1/2015 Carr D14/205
 D722,998 S * 2/2015 Sancho D14/205
 D729,194 S 5/2015 Boeckel et al.
 D732,503 S 6/2015 Brunner et al.
 D733,092 S * 6/2015 Gan D14/205
 D734,296 S * 7/2015 Paterson D14/205
 D734,297 S * 7/2015 Sasaki D14/205
 D739,388 S 9/2015 Paterson et al.
 D739,842 S 9/2015 Birger
 D740,256 S 10/2015 Carr
 D761,759 S * 7/2016 He D14/204
 D761,761 S * 7/2016 Ando D14/205
 D764,437 S * 8/2016 Yang D14/206
 D815,614 S * 4/2018 Tzeng D14/205
 2015/0215695 A1 * 7/2015 He H04R 1/1091
 381/74

* cited by examiner

FIG. 1

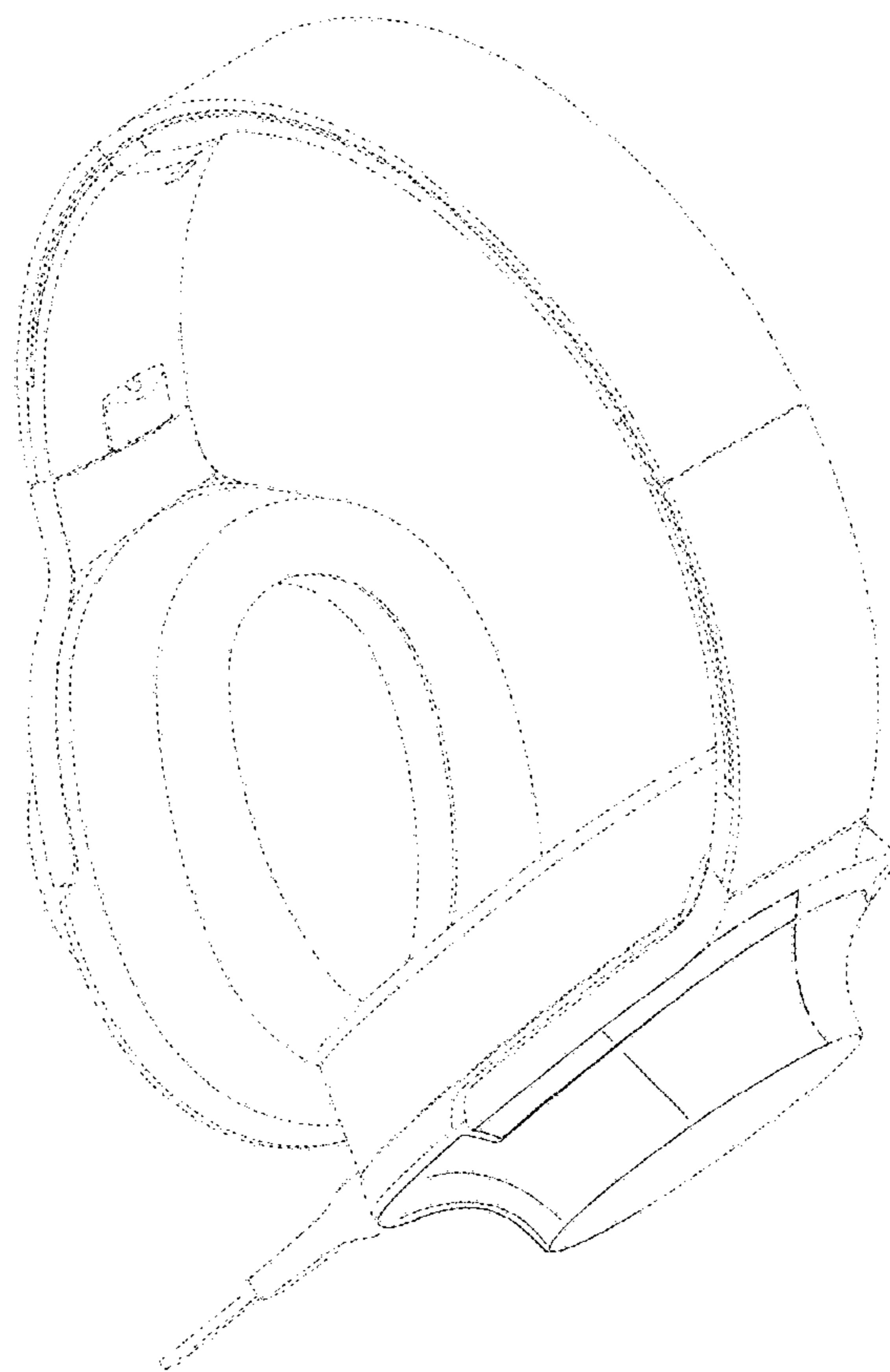


FIG. 2

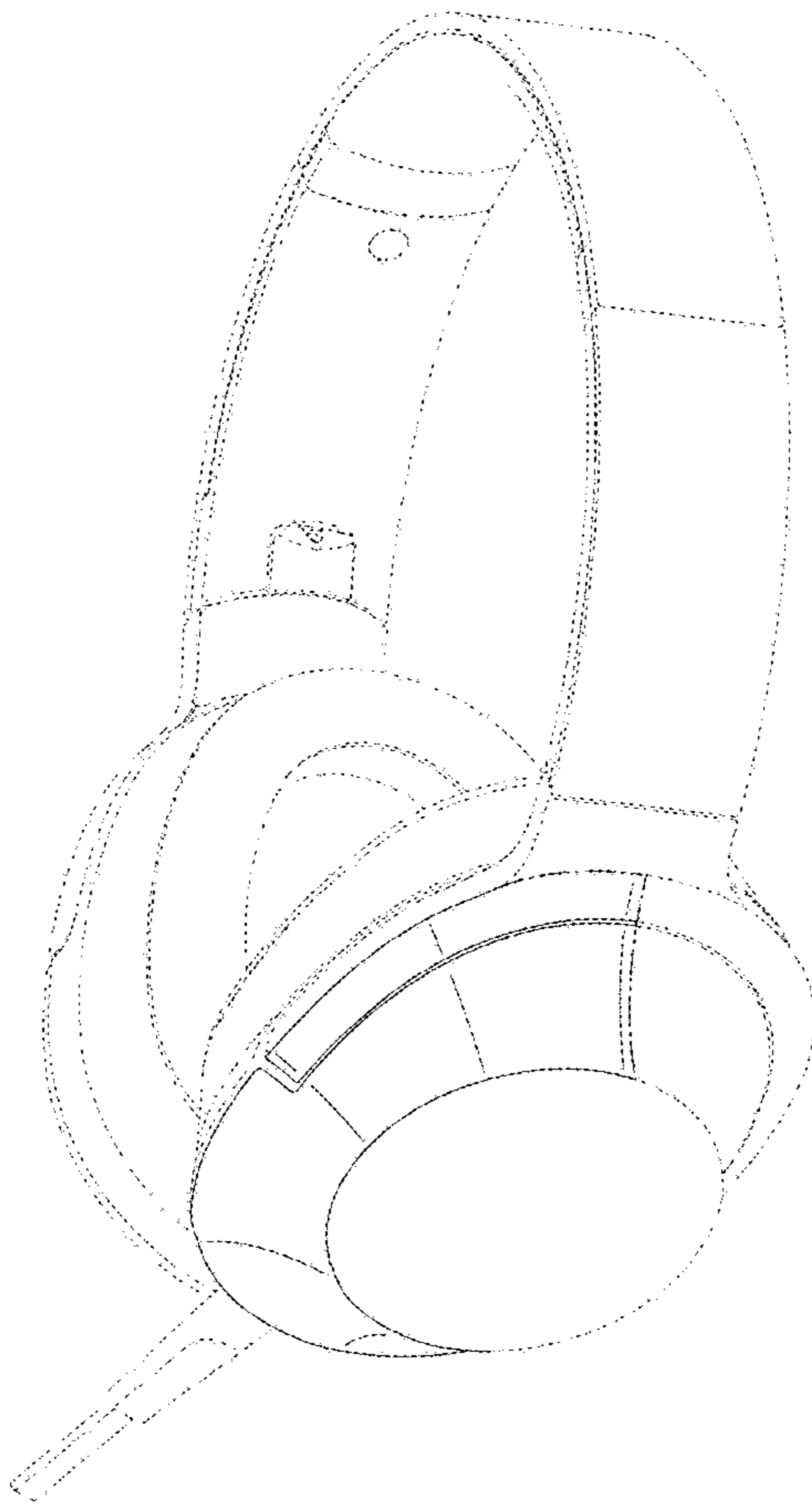


FIG. 3

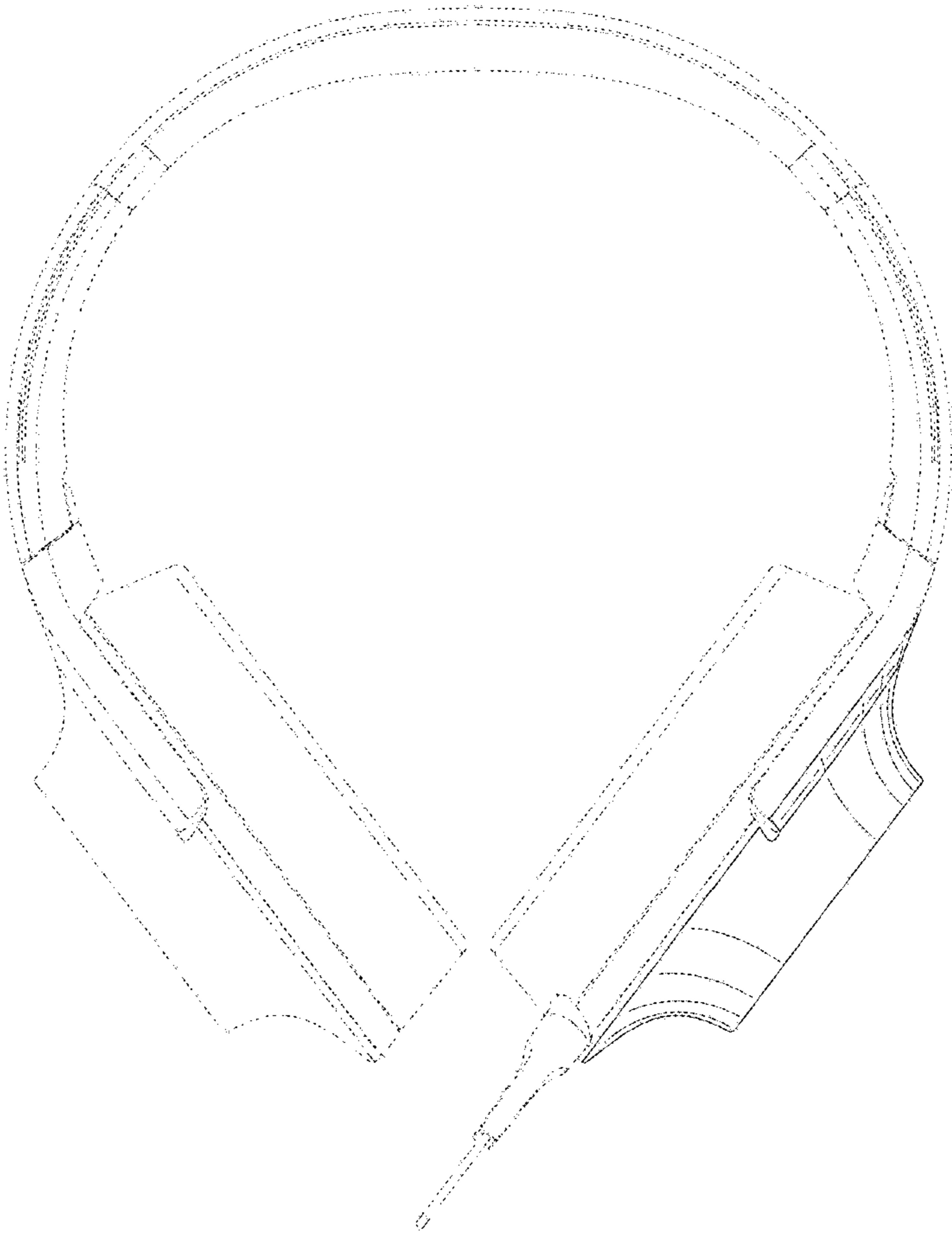


FIG. 4

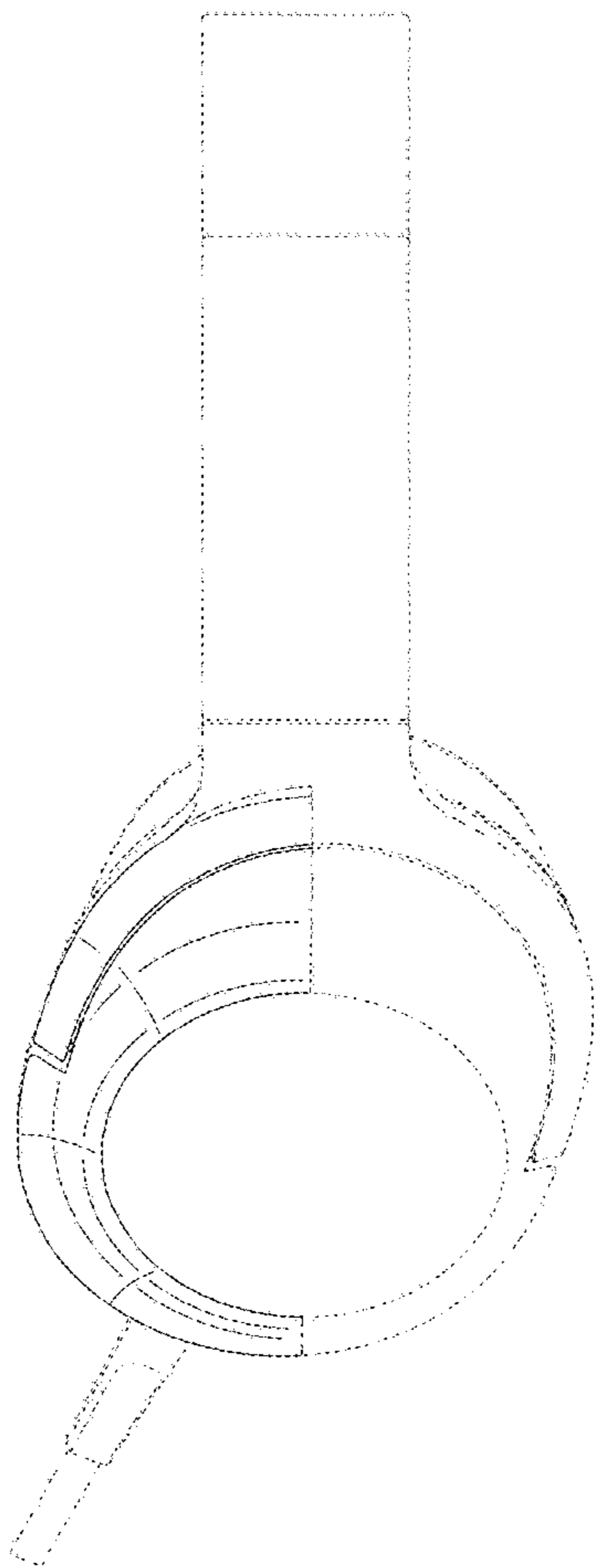


FIG. 5

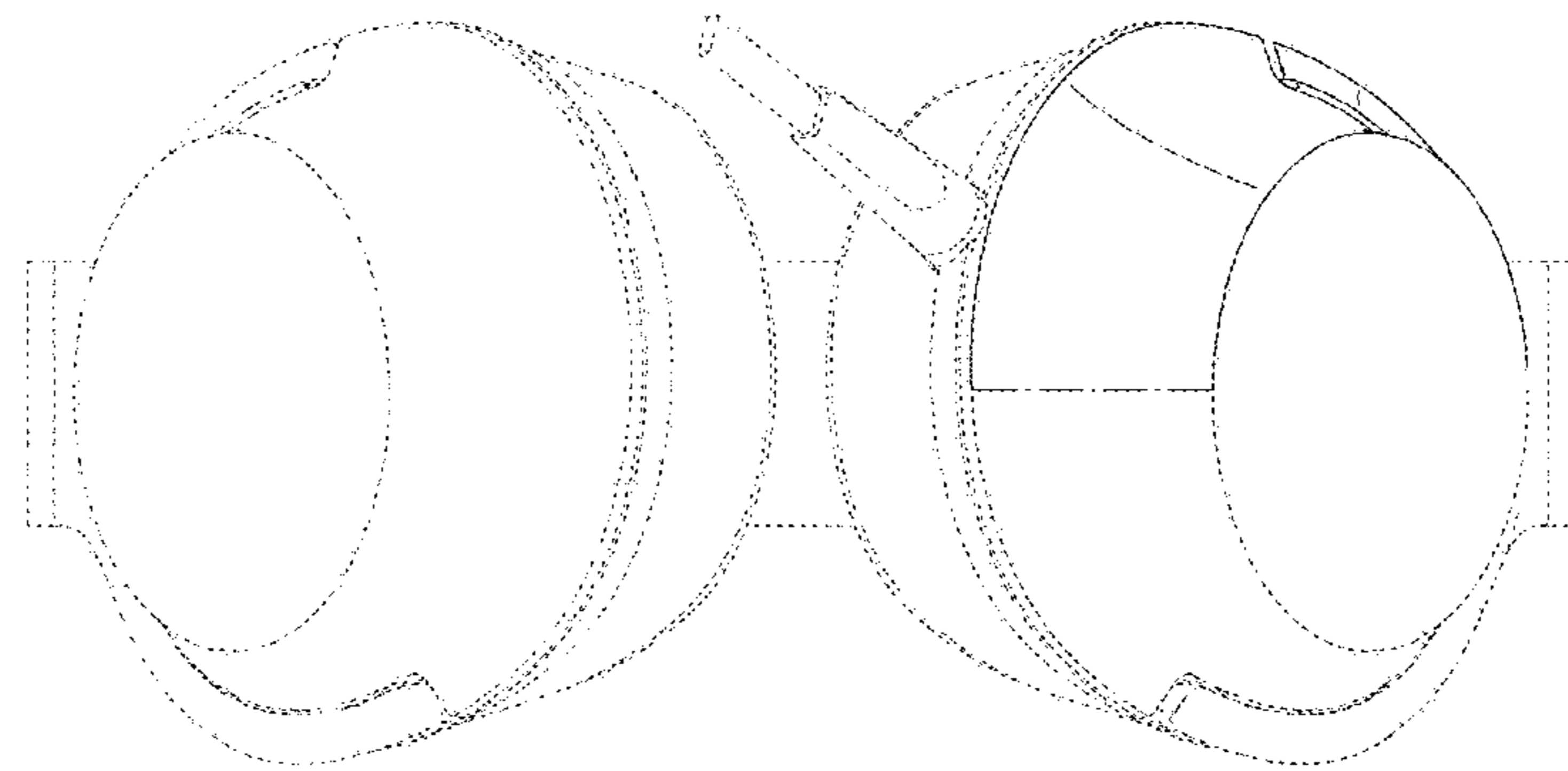


FIG. 6

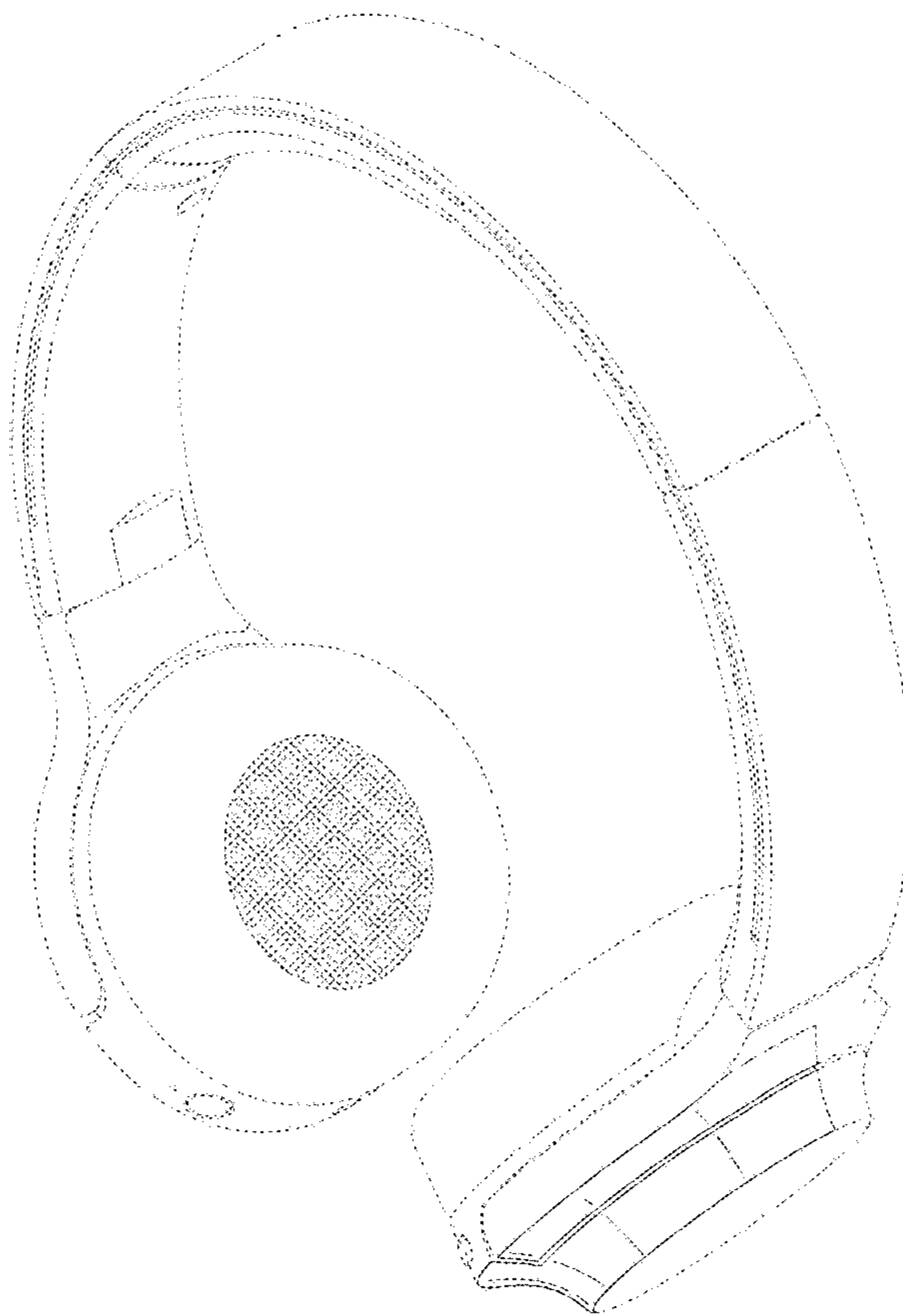


FIG. 7

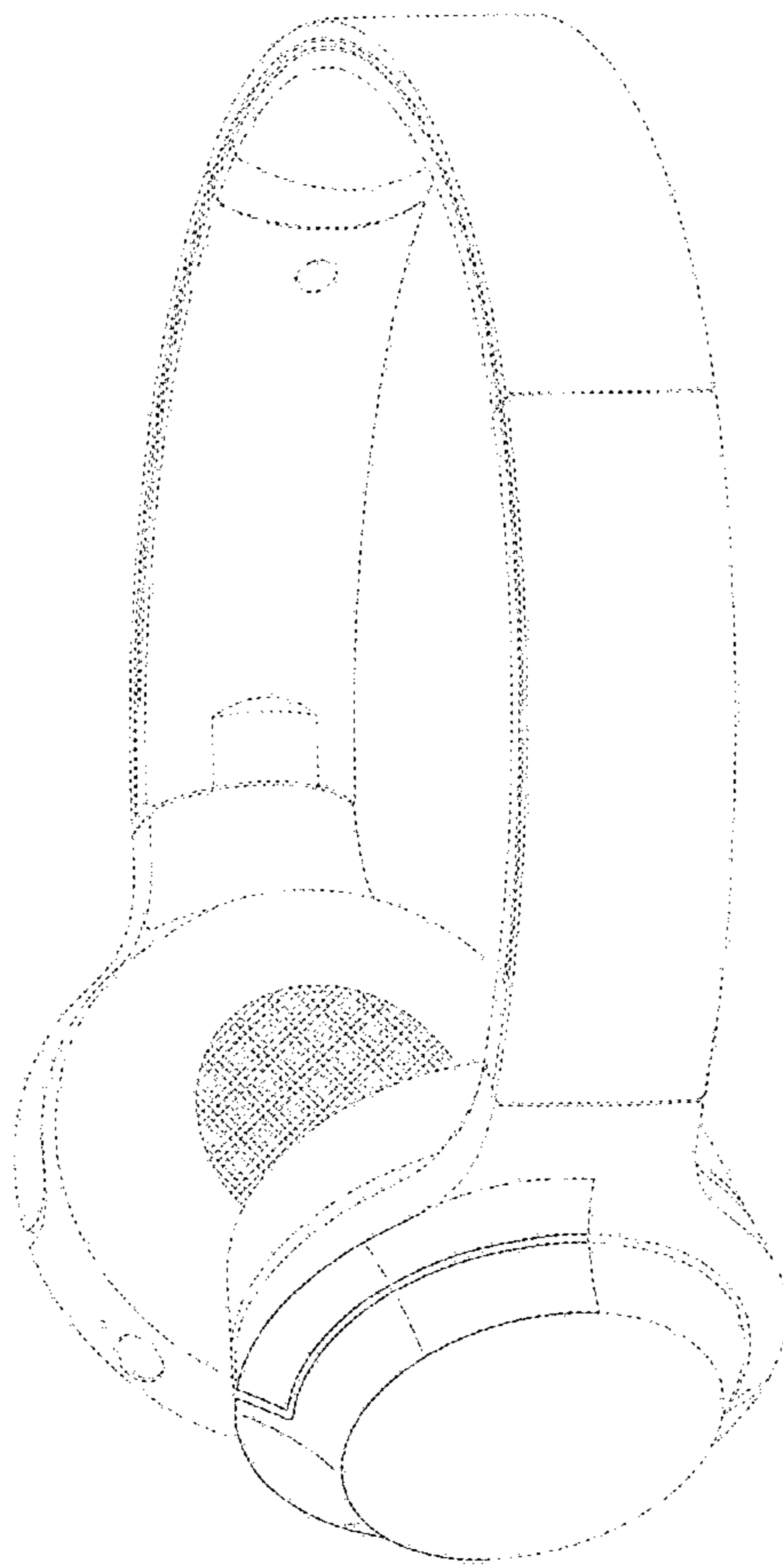


FIG. 8

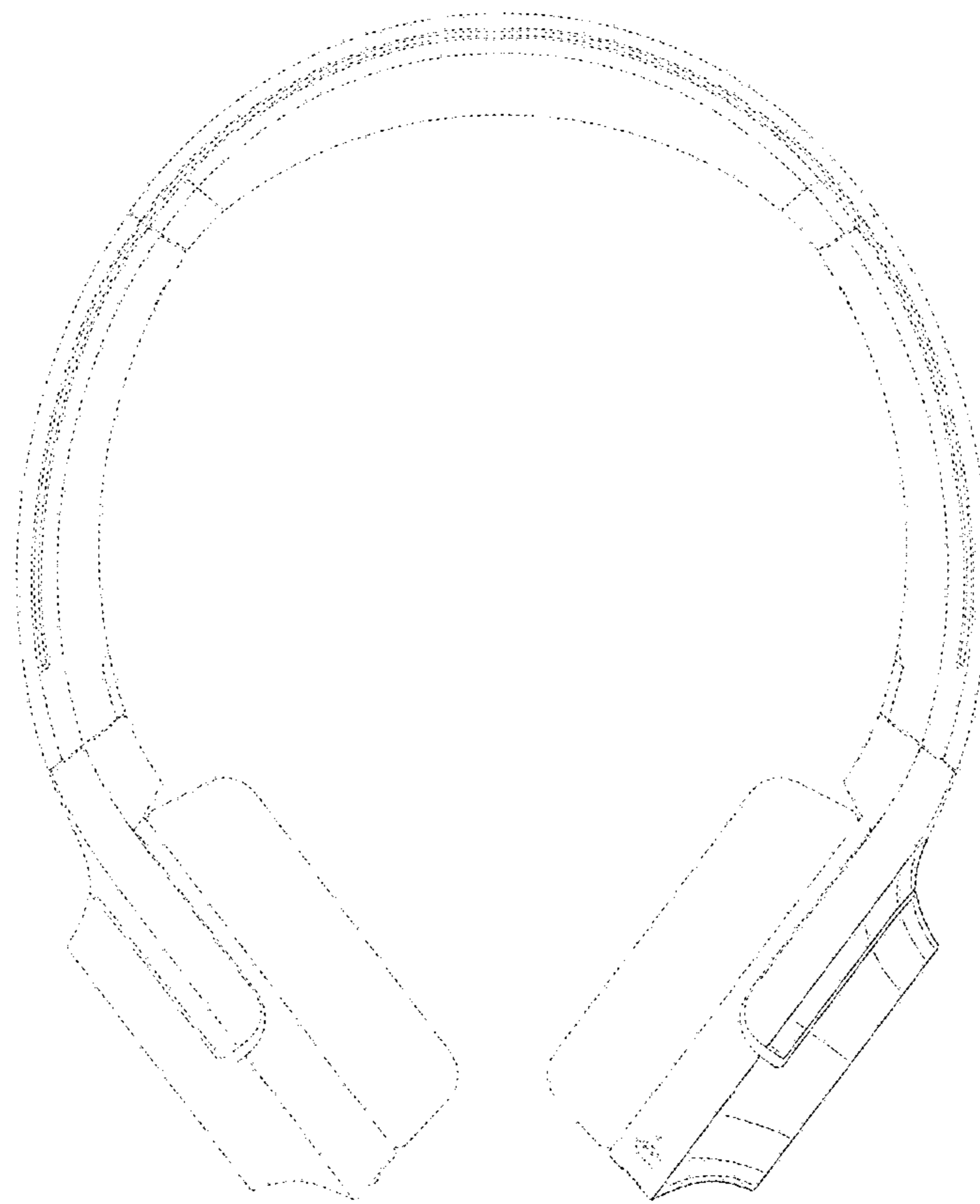


FIG. 9

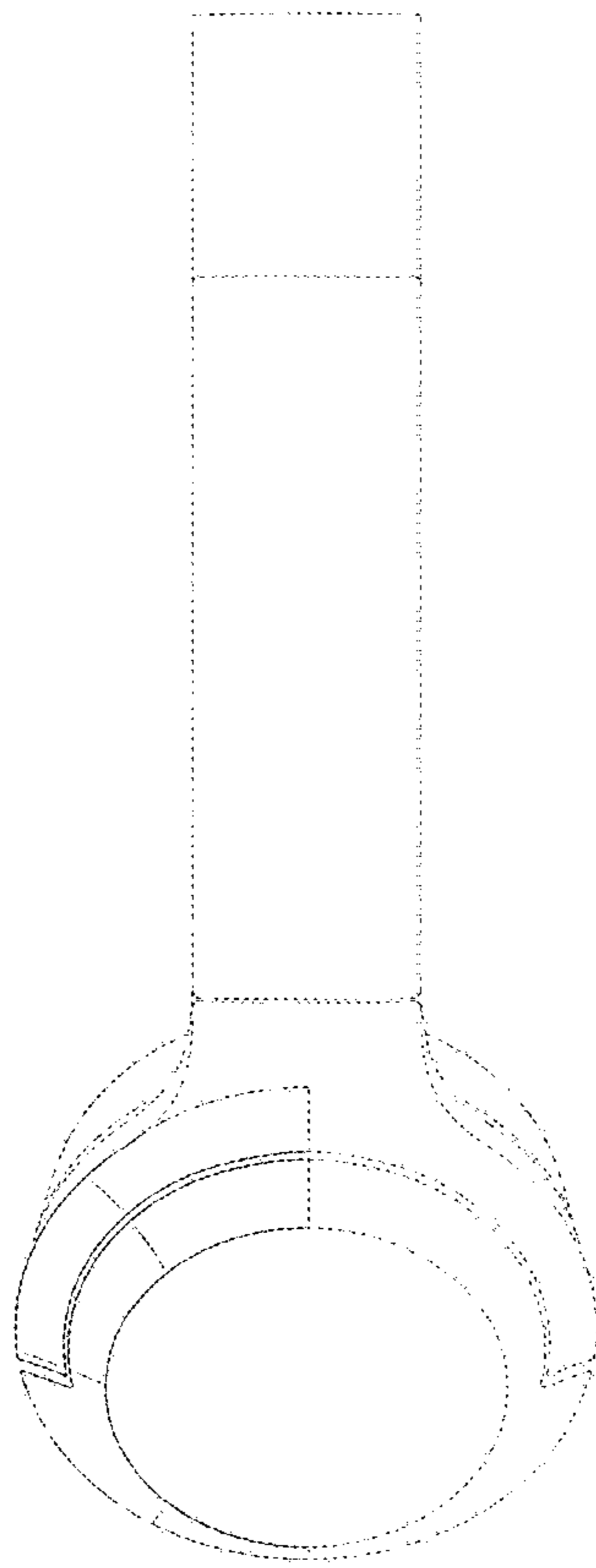


FIG. 10

