



US00D854509S

(12) **United States Design Patent**
Wu

(10) **Patent No.:** **US D854,509 S**
(45) **Date of Patent:** **** Jul. 23, 2019**

(54) **SMART DEVICE**

(71) Applicant: **Bestore Europe Holding GmbH**, Zug (CH)

(72) Inventor: **Wenqiang Wu**, Hubei (CN)

(73) Assignee: **Bestore Europe Holding GmbH**, Zug (CH)

(**) Term: **15 Years**

(21) Appl. No.: **29/611,613**

(22) Filed: **Jul. 24, 2017**

(51) **LOC (11) Cl.** **14-03**

(52) **U.S. Cl.**

USPC **D14/168**; D14/240; D14/204; D14/496; D13/108; D13/137.2; D26/52

(58) **Field of Classification Search**

USPC D14/240, 242, 358, 125, 155, 162, 167, D14/168, 172, 188, 195, 203.1, 203.6, D14/203.8, 204, 209.1, 214, 217, 226, D14/299, 496, 300, 302, 314, 348, 351, D14/356, 357, 140.1, 140.2, 432, 433; D13/103, 107, 108, 123, 152, 158, 162, D13/162.1, 163, 168, 184, 199, 139.1, D13/139.2; D10/104.1, 106.1, 106.6, D10/116.1, 61, 64, 75, 106.9, 46, 85, 68; D26/26, 38, 51, 52

CPC H01R 33/92; H01R 13/05; H01R 13/10; H01R 13/24; H01R 13/6675; H01R 13/62; H01R 25/006; H01R 27/02; H01R 31/02; H02J 7/0044; H02J 7/025; H02J 50/10; H04W 88/08; H04W 88/085; H04W 88/00; H04W 88/005; H04W 88/02; H04W 88/12; H04W 88/14; H04W 88/16; H04W 88/18; H04W 4/00

See application file for complete search history.

(56) **References Cited**

U.S. PATENT DOCUMENTS

D119,322 S * 3/1940 Punke D26/52
D314,055 S * 1/1991 Ross, Jr. D17/24

D324,376 S * 3/1992 Leitermann D14/311
D330,202 S * 10/1992 Adiwono D14/168
D365,333 S * 12/1995 Mihalik D14/308
D460,451 S * 7/2002 Andre D14/356
D461,187 S * 8/2002 Andre D14/356
D504,409 S * 4/2005 Kim D14/203.3
D520,519 S * 5/2006 Chin D14/203.3
D542,264 S * 5/2007 Amid-Hozour D14/168
D544,463 S * 6/2007 Harris D14/168

(Continued)

OTHER PUBLICATIONS

Smart devices. (Design—©Questel) orbit.com.[online PDF] 45 pgs. Print Dates range Sep. 5, 2006 through Jan. 18, 2017 [Retrieved on Nov. 21, 2018] <https://sobjprd.questel.fr/export/QPTUJ214/pdf2/4620e25e-560e-4ccb-a846-dfc3f1a24b49-204539.pdf>.*

Primary Examiner — Susan Bennett Hattan

Assistant Examiner — Marie D. Fast Horse

(74) *Attorney, Agent, or Firm* — Novick, Kim & Lee, PLLC; Allen Xue; Hyun Woo Shin

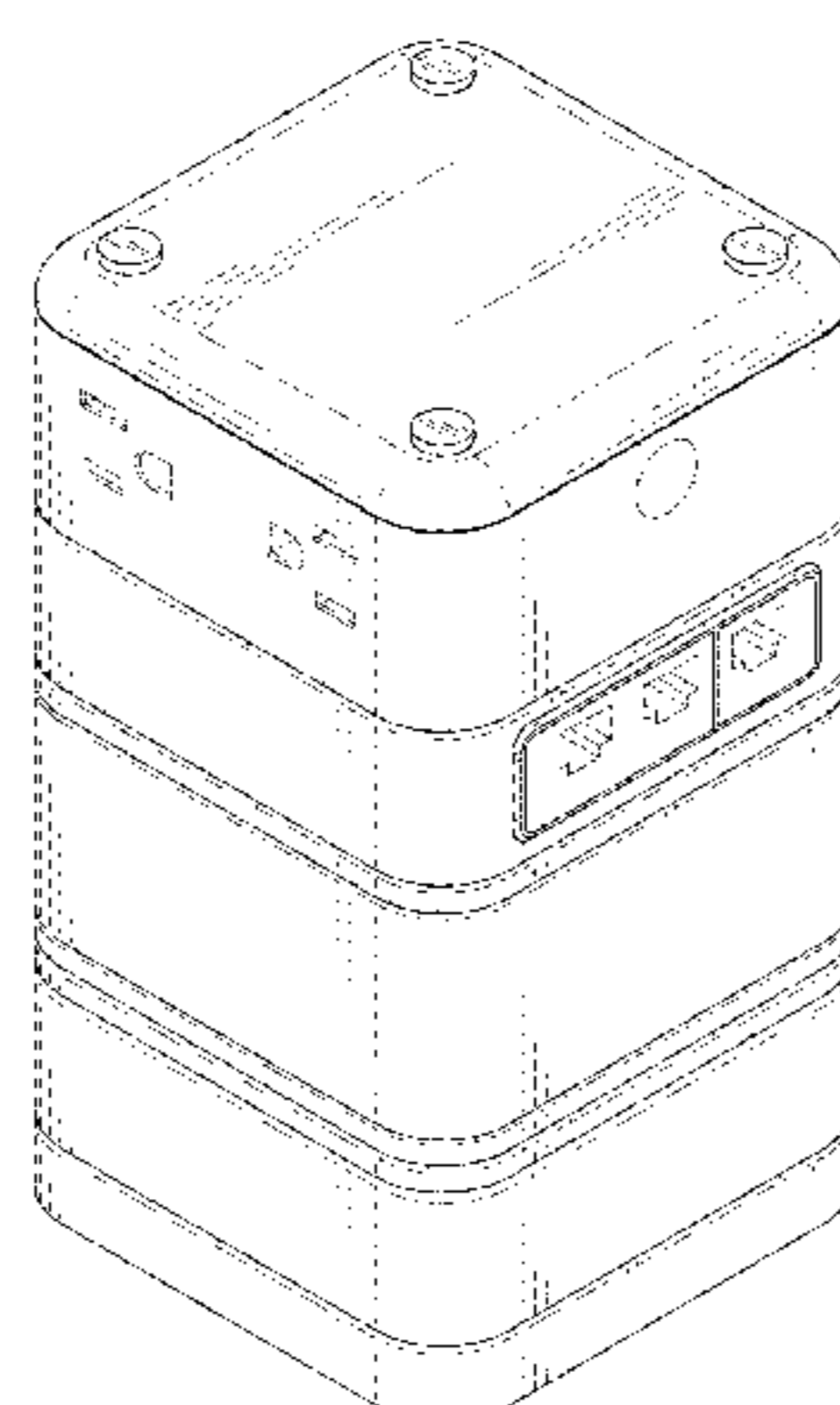
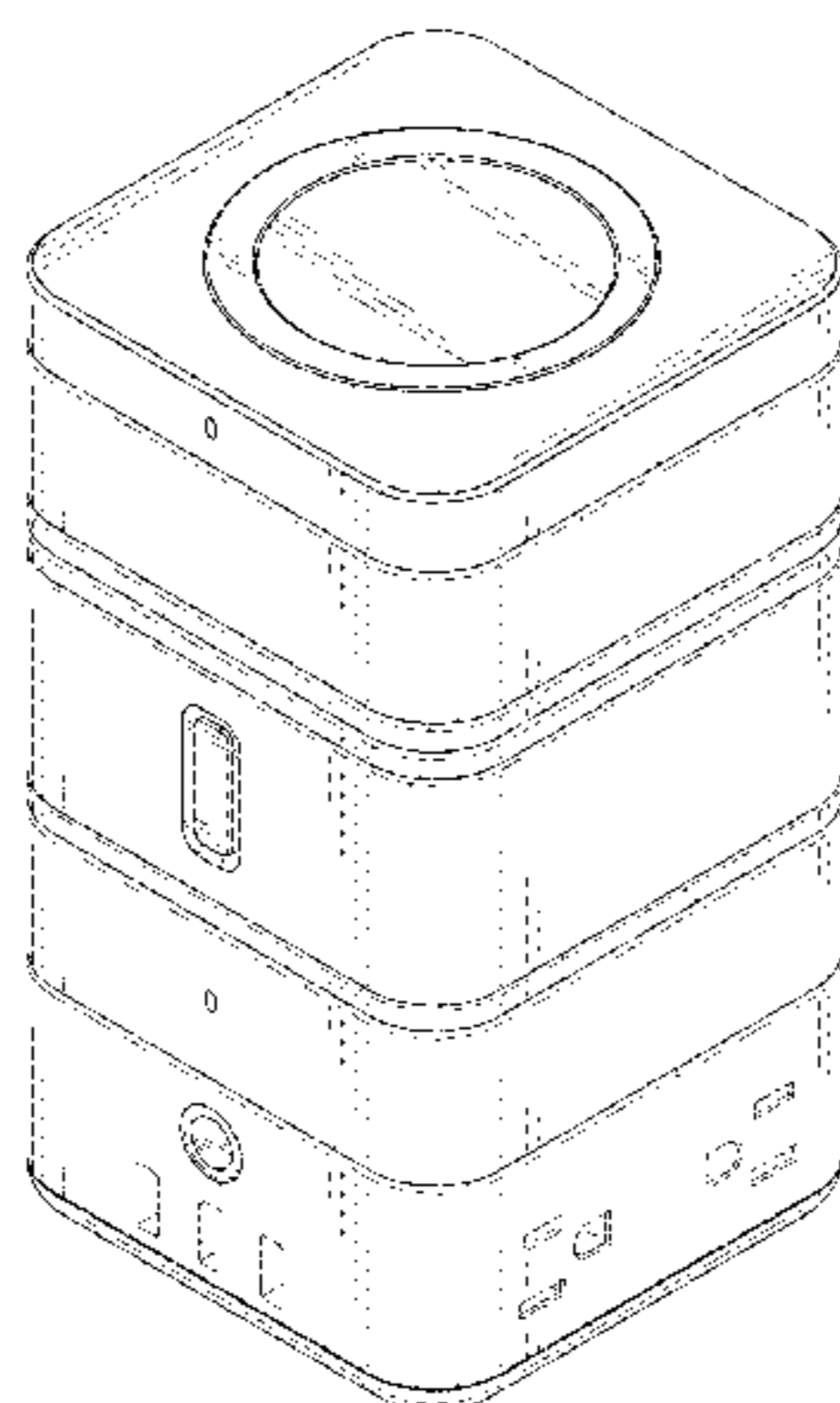
(57) **CLAIM**

I claim the ornamental design for a smart device, as shown and described.

DESCRIPTION

FIG. 1 is a top, front perspective view of a smart device, showing my new design;
FIG. 2 is a bottom, rear perspective view thereof;
FIG. 3 is a front elevational view thereof;
FIG. 4 is a rear elevational view thereof;
FIG. 5 is a left side elevational view thereof, the right side being a mirror image thereof;
FIG. 6 is a top plan view thereof; and,
FIG. 7 is a bottom plan view thereof.
The broken lines in the drawings show portions of the smart device which form no part of the claimed design.

1 Claim, 7 Drawing Sheets



(56)

References Cited

U.S. PATENT DOCUMENTS

D546,347 S * 7/2007 Millora D14/496
 D546,813 S * 7/2007 Lewis D14/168
 D551,652 S * 9/2007 Nakamura D14/168
 D560,217 S * 1/2008 Adachi D14/300
 D563,994 S * 3/2008 Liu D14/496
 D577,743 S * 9/2008 Liu D14/496
 D606,962 S * 12/2009 Wada D14/149
 D639,742 S * 6/2011 Doucet D13/139.8
 D643,020 S * 8/2011 Zhang D14/214
 D668,143 S * 10/2012 Akana D14/496
 D671,495 S * 11/2012 Zanoni D13/139.1
 D675,190 S * 1/2013 Nysten D14/215
 D675,986 S * 2/2013 Zanoni D13/139.1
 D675,987 S * 2/2013 Zanoni D13/139.1
 D676,412 S * 2/2013 Holzer D14/171
 D690,280 S * 9/2013 Schul D14/168
 D702,547 S * 4/2014 Akana D14/496
 D713,405 S * 9/2014 Akana D14/349
 D720,347 S * 12/2014 Lo D14/348
 D726,107 S * 4/2015 Mudge D13/110
 D753,063 S * 4/2016 Gelonese D13/137.2
 D757,710 S * 5/2016 Donachy D14/314
 D765,071 S * 8/2016 Sun D14/314
 D769,941 S * 10/2016 Srivatsan D14/496
 D786,791 S * 5/2017 Jeong D13/108
 D791,123 S * 7/2017 Wieser D14/358
 D794,018 S * 8/2017 Basil D14/356

D799,588 S * 10/2017 Nanno D18/19
 D804,460 S * 12/2017 Li D14/242
 D807,841 S * 1/2018 Lee D14/125
 D811,338 S * 2/2018 Zhu D13/139.1
 D813,208 S * 3/2018 Nie D14/226
 D815,076 S * 4/2018 Shin D14/242
 D815,149 S * 4/2018 Langhammer D14/496
 D815,610 S * 4/2018 Lee D14/125
 D817,922 S * 5/2018 Hong D14/210
 D817,927 S * 5/2018 McManigal D14/214
 D818,448 S * 5/2018 Wang D14/125
 D824,346 S * 7/2018 Kim D14/125
 D824,347 S * 7/2018 Kim D14/125
 D824,385 S * 7/2018 Peiker D14/358
 D825,551 S * 8/2018 Akana D14/314
 D826,163 S * 8/2018 Xu D13/139.8
 D826,205 S * 8/2018 Langhammer D14/203.6
 D826,206 S * 8/2018 Elmieh D14/204
 D826,938 S * 8/2018 Son D14/388
 D832,784 S * 11/2018 Zhao D13/108
 D832,786 S * 11/2018 Zhu D13/139.1
 D833,414 S * 11/2018 Brennan D14/204
 D836,083 S * 12/2018 Elmieh D14/204
 D836,619 S * 12/2018 Yokoyama D14/240
 D837,182 S * 1/2019 Elmieh D14/204
 D838,886 S * 1/2019 Chen D26/52
 2016/0302320 A1 * 10/2016 Kim G06F 1/183
 2018/0092230 A1 * 3/2018 Hsu H04R 1/00
 2018/0205193 A1 * 7/2018 Wu H01R 31/02

* cited by examiner

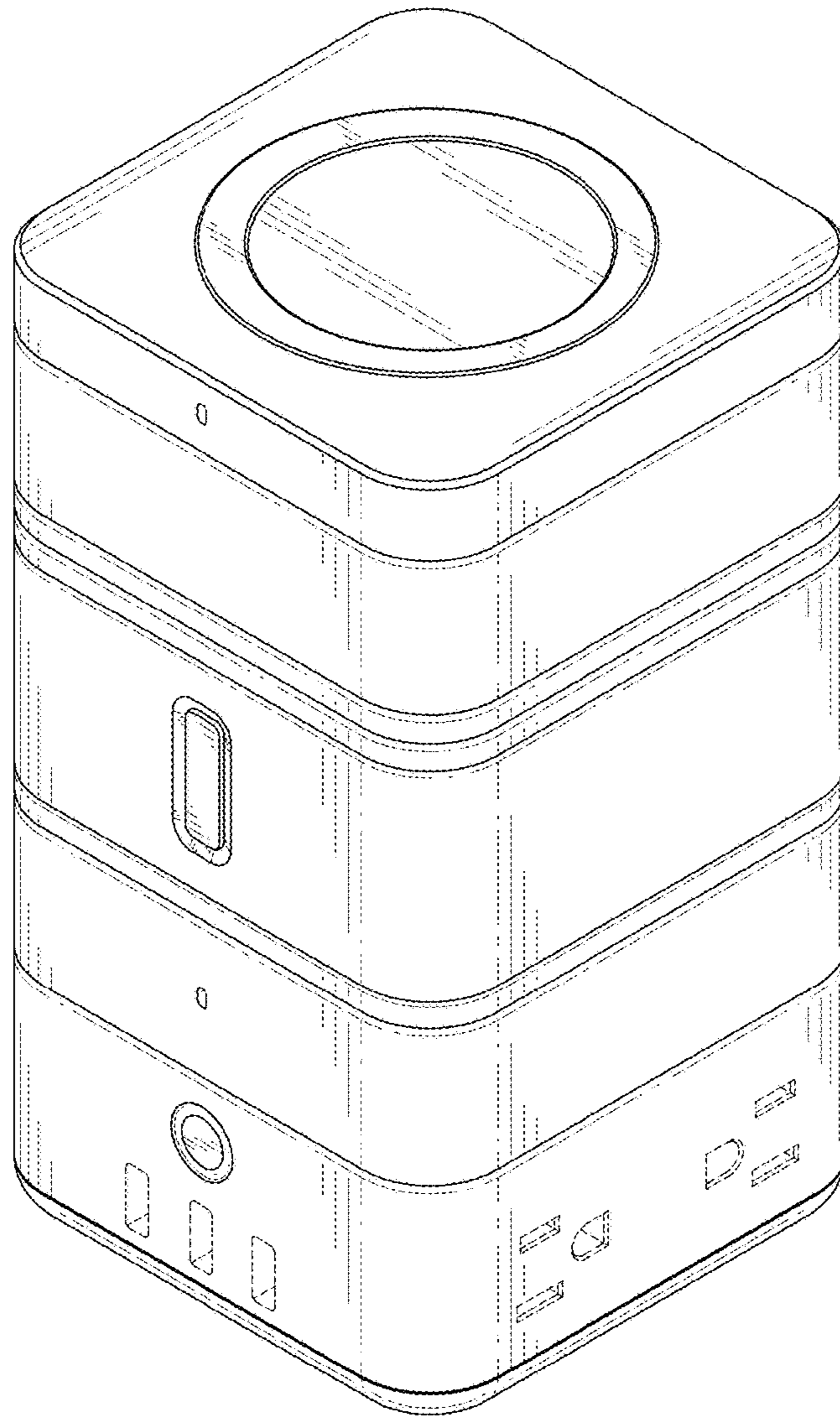


FIG.1

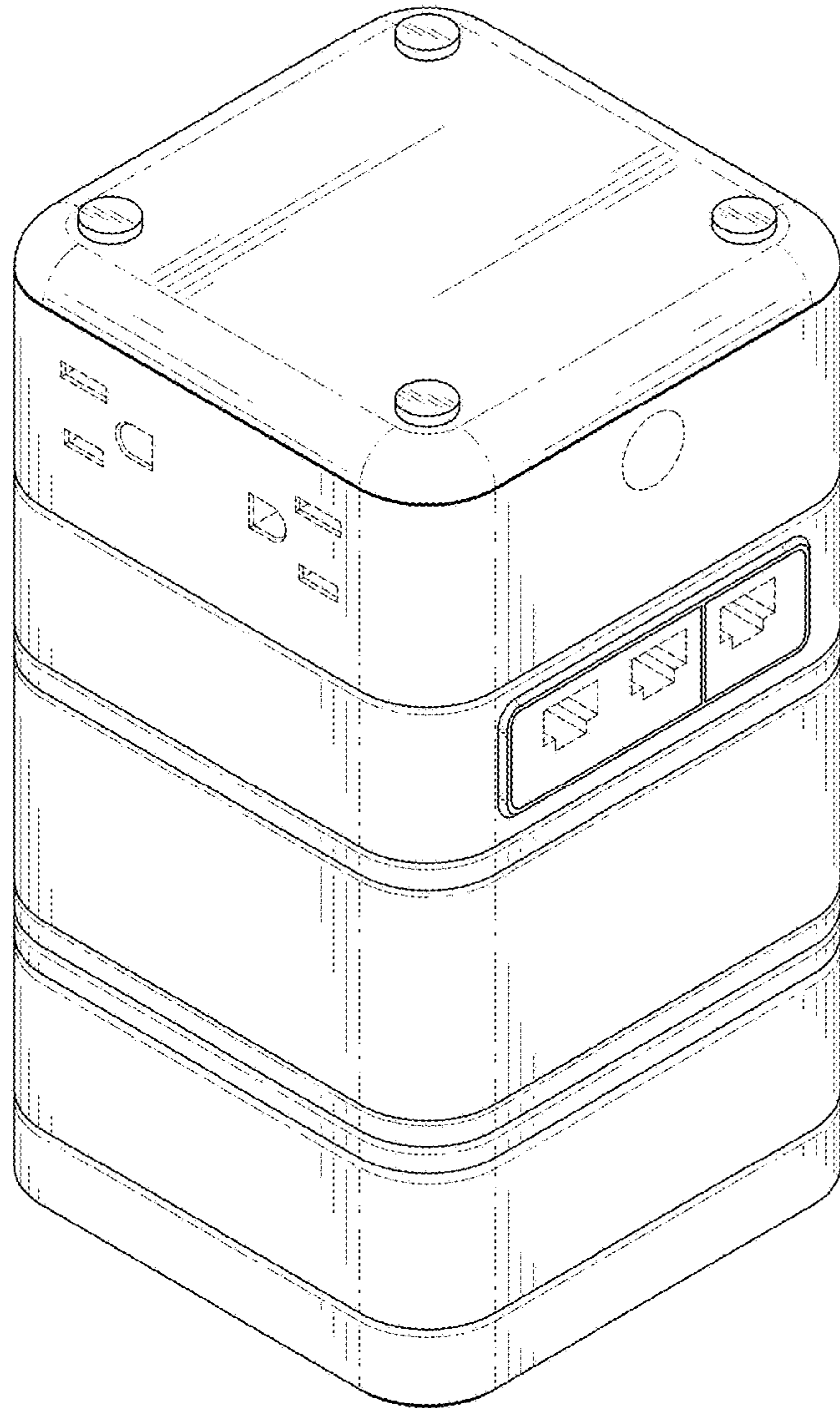


FIG.2

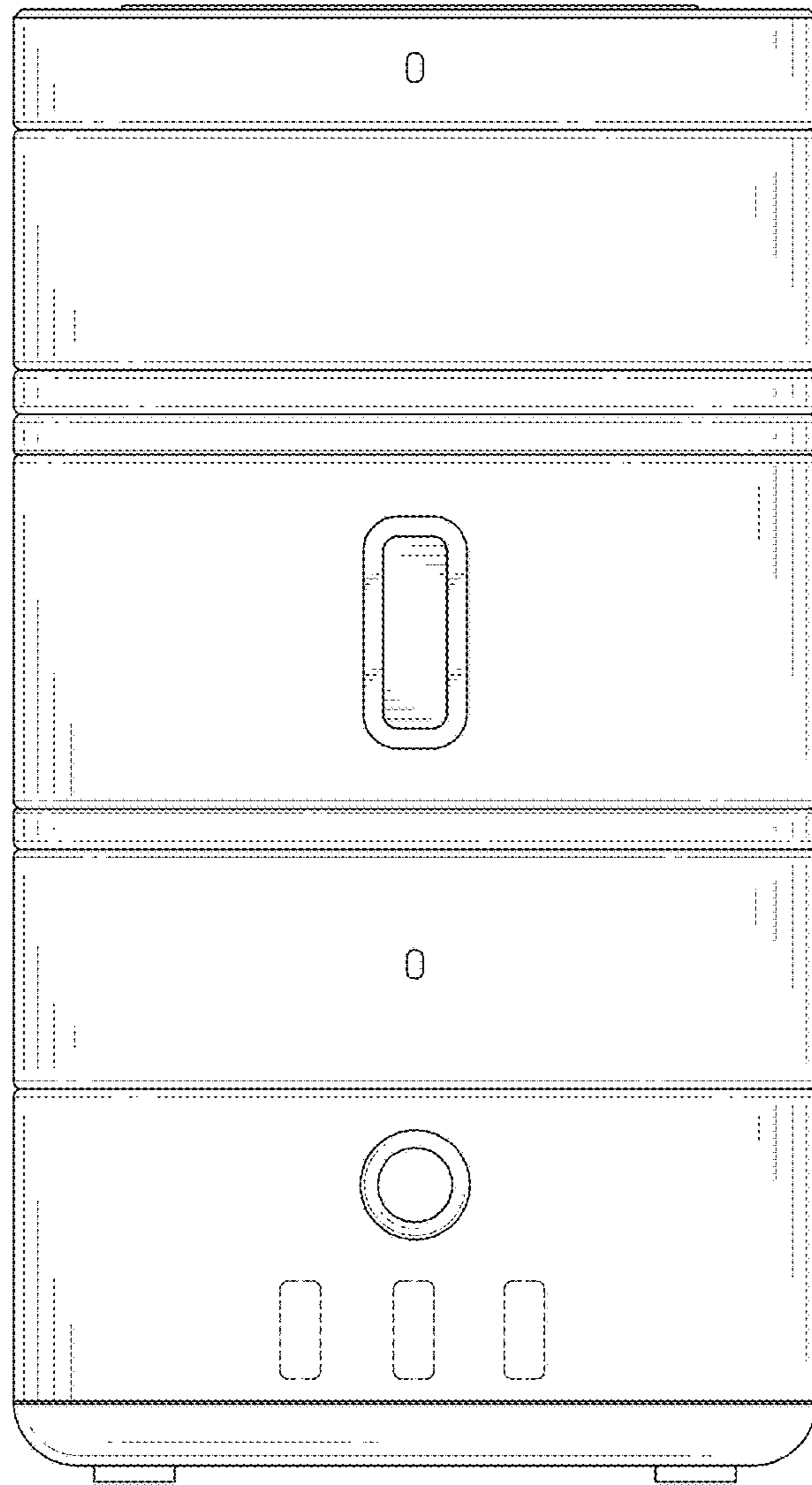


FIG.3

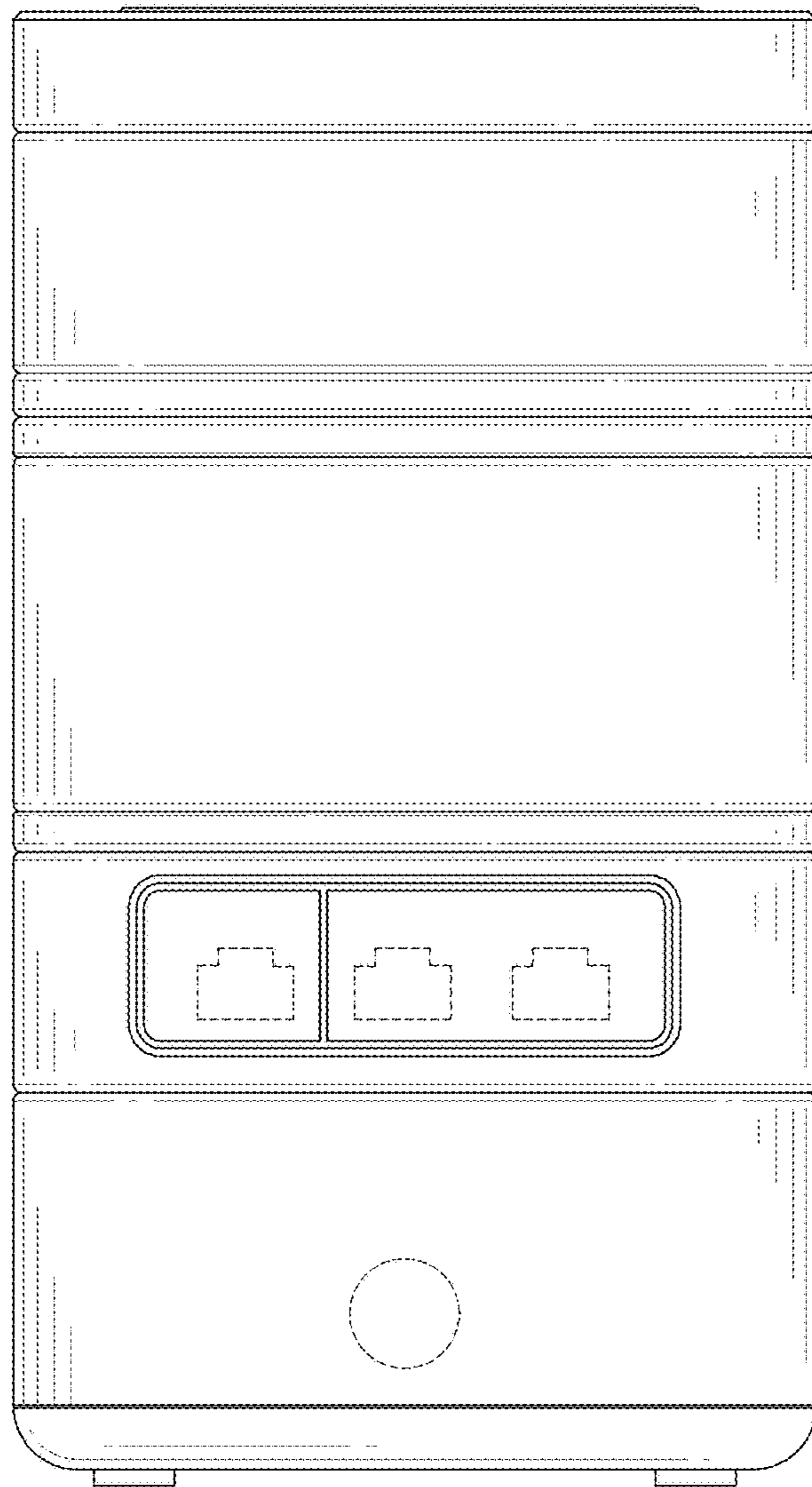


FIG.4

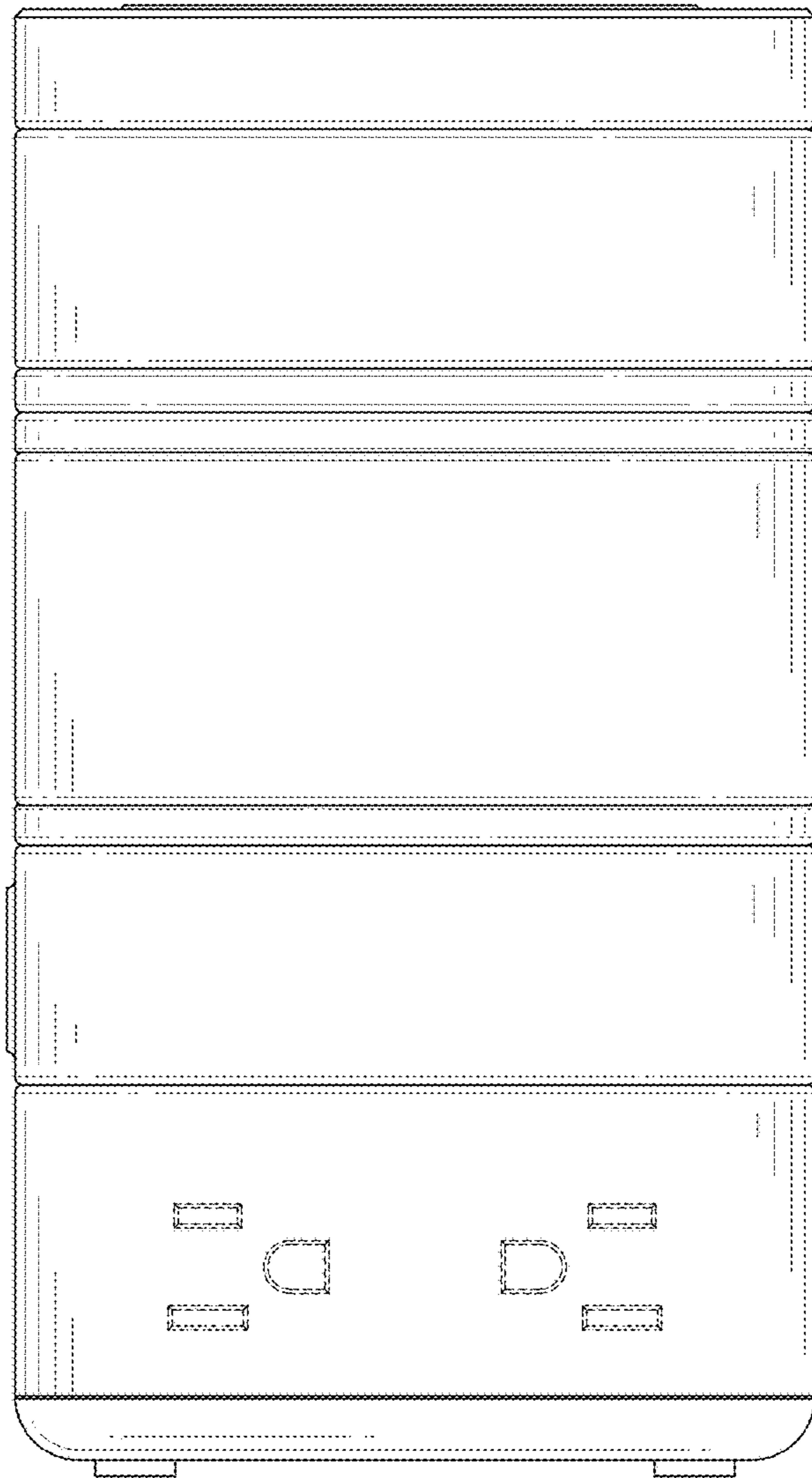


FIG.5

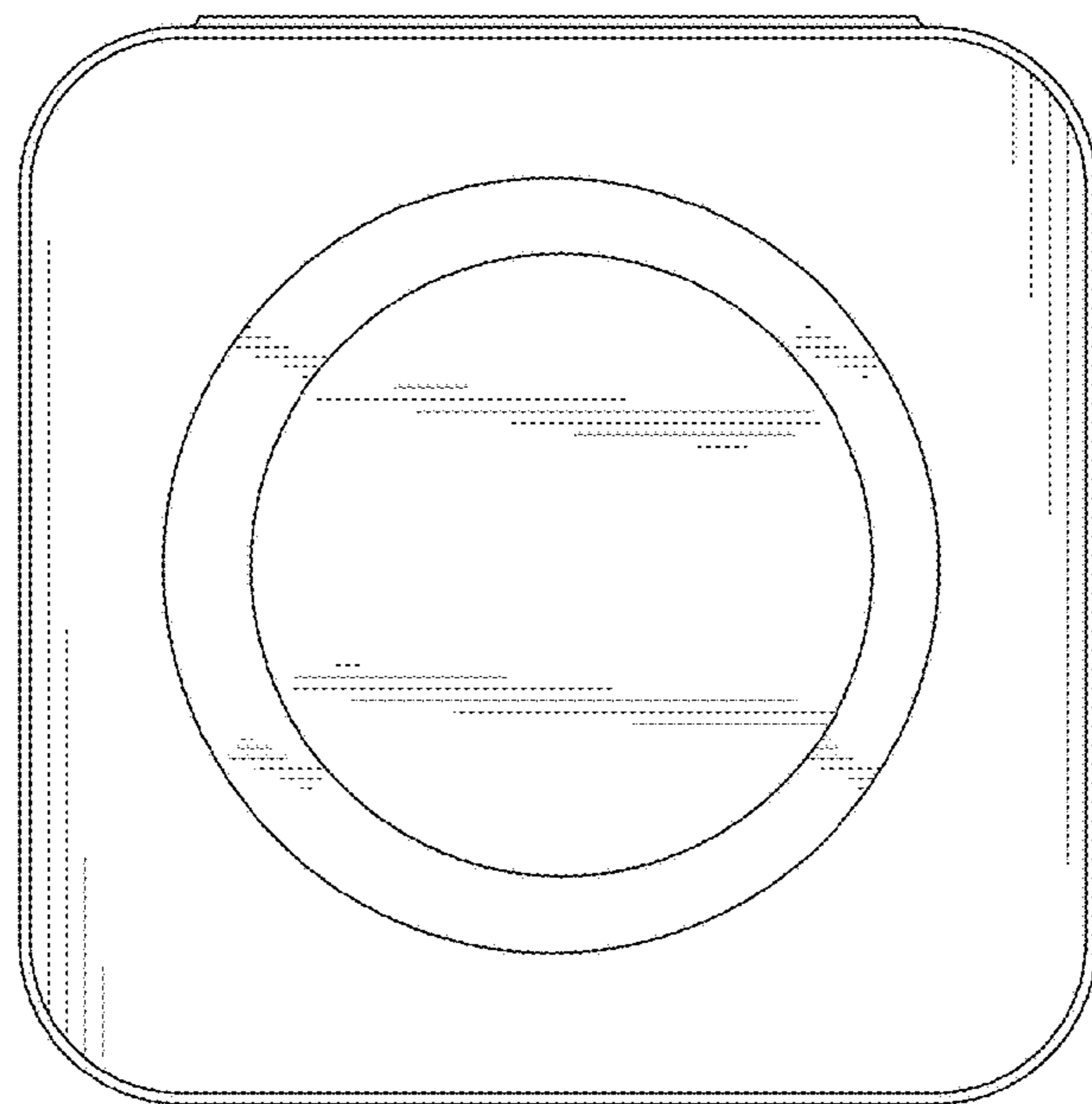


FIG.6

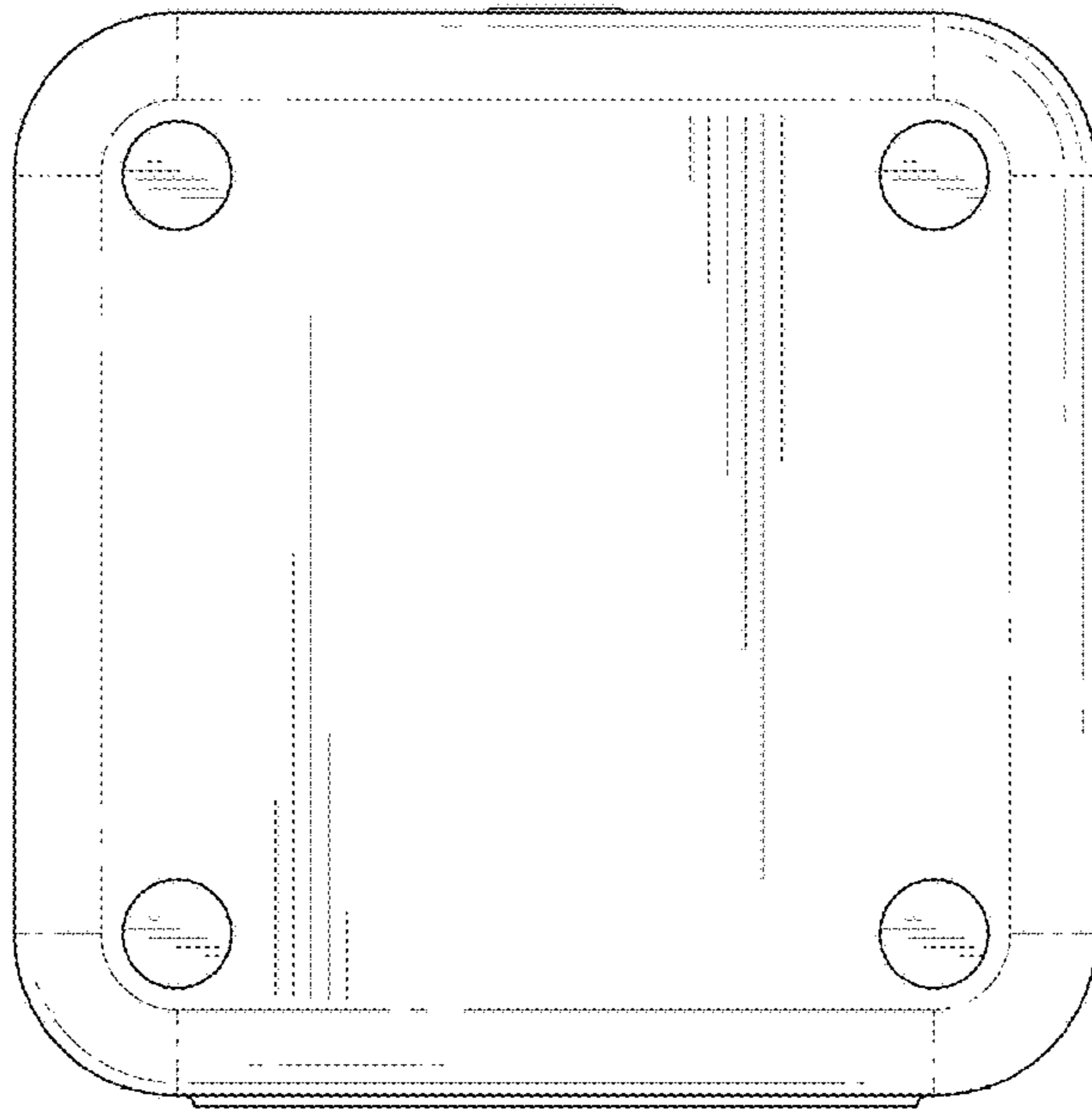


FIG.7