



US00D854505S

(12) **United States Design Patent**
Sharp et al.

(10) **Patent No.:** **US D854,505 S**
(45) **Date of Patent:** **** Jul. 23, 2019**

(54) **FACE PACK FOR ELECTRONIC LIGHTING CONTROLLER**

(71) Applicant: **Hunter Industries, Inc.**, San Marcos, CA (US)

(72) Inventors: **Stephen A. Sharp**, San Diego, CA (US); **Dillon J. Rak**, San Diego, CA (US)

(73) Assignee: **Hunter Industries, Inc.**, San Marcos, CA (US)

(**) Term: **15 Years**

(21) Appl. No.: **29/641,369**

(22) Filed: **Mar. 21, 2018**

(51) **LOC (11) Cl.** **13-03**

(52) **U.S. Cl.**
USPC **D13/162**

(58) **Field of Classification Search**
USPC D13/162, 164, 177; D10/40, 46, 49
CPC .. H02G 3/14; H05B 37/0209; H05B 37/0218;
H05B 37/0281; H05B 37/029; F05K
5/0017; F05K 5/0026; Y02B 20/42
See application file for complete search history.

(56) **References Cited**

U.S. PATENT DOCUMENTS

- 7,225,058 B1 * 5/2007 Porter A01G 25/165
137/624.11
- D613,255 S * 4/2010 Paul D13/162
- 7,953,517 B1 * 5/2011 Porter A01G 25/165
700/284
- D680,501 S * 4/2013 Elliott H05K 5/0017
D13/162
- D691,968 S * 10/2013 Schmuckle D13/162
- 8,867,194 B2 * 10/2014 Woytowicz H05K 5/0017
361/600
- 8,957,588 B1 * 2/2015 Ericksen H05B 37/0218
315/153

- 9,577,415 B1 * 2/2017 Veloskey H02G 3/14
- D797,682 S * 9/2017 Sharp D13/162
- D808,908 S * 1/2018 Paul D13/162
- 10,069,284 B1 * 9/2018 Paul H02B 1/44
- D838,238 S * 1/2019 Wu D13/102

* cited by examiner

Primary Examiner — Selina Sikder

(74) *Attorney, Agent, or Firm* — Knobbe, Martens, Olson & Bear LLP

(57) **CLAIM**

The ornamental design for a face pack for an electronic lighting controller, as shown and described.

DESCRIPTION

FIG. 1 illustrates a top, front, and right side perspective view of a face pack for an electronic lighting controller embodying a new design.

FIG. 2 illustrates a bottom, back, and right side perspective view of the face pack for an electronic lighting controller of FIG. 1.

FIG. 3 illustrates a front view of the face pack for an electronic lighting controller of FIG. 1.

FIG. 4 illustrates a back view of the face pack for an electronic lighting controller of FIG. 1.

FIG. 5 illustrates a right side view of the face pack for an electronic lighting controller of FIG. 1.

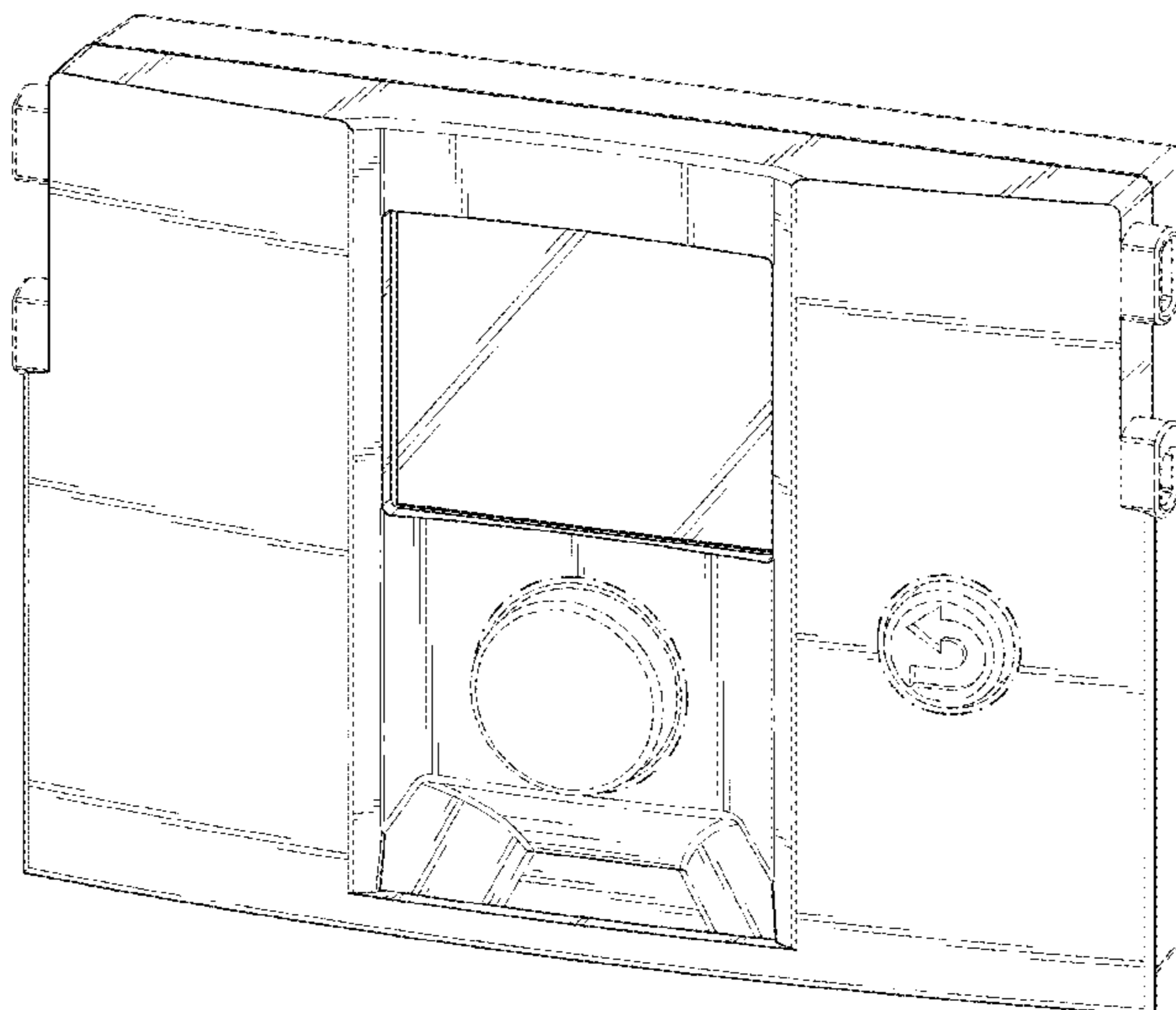
FIG. 6 illustrates a left side view of the face pack for an electronic lighting controller of FIG. 1.

FIG. 7 illustrates a top view of the face pack for an electronic lighting controller of FIG. 1; and,

FIG. 8 illustrates a bottom view of the face pack for an electronic lighting controller of FIG. 1.

Broken lines are used to illustrate features of the face pack for an electronic lighting controller which form no part of the claimed design. Dot-dash lines are used to illustrate boundary lines and form no part of the claimed design.

1 Claim, 6 Drawing Sheets



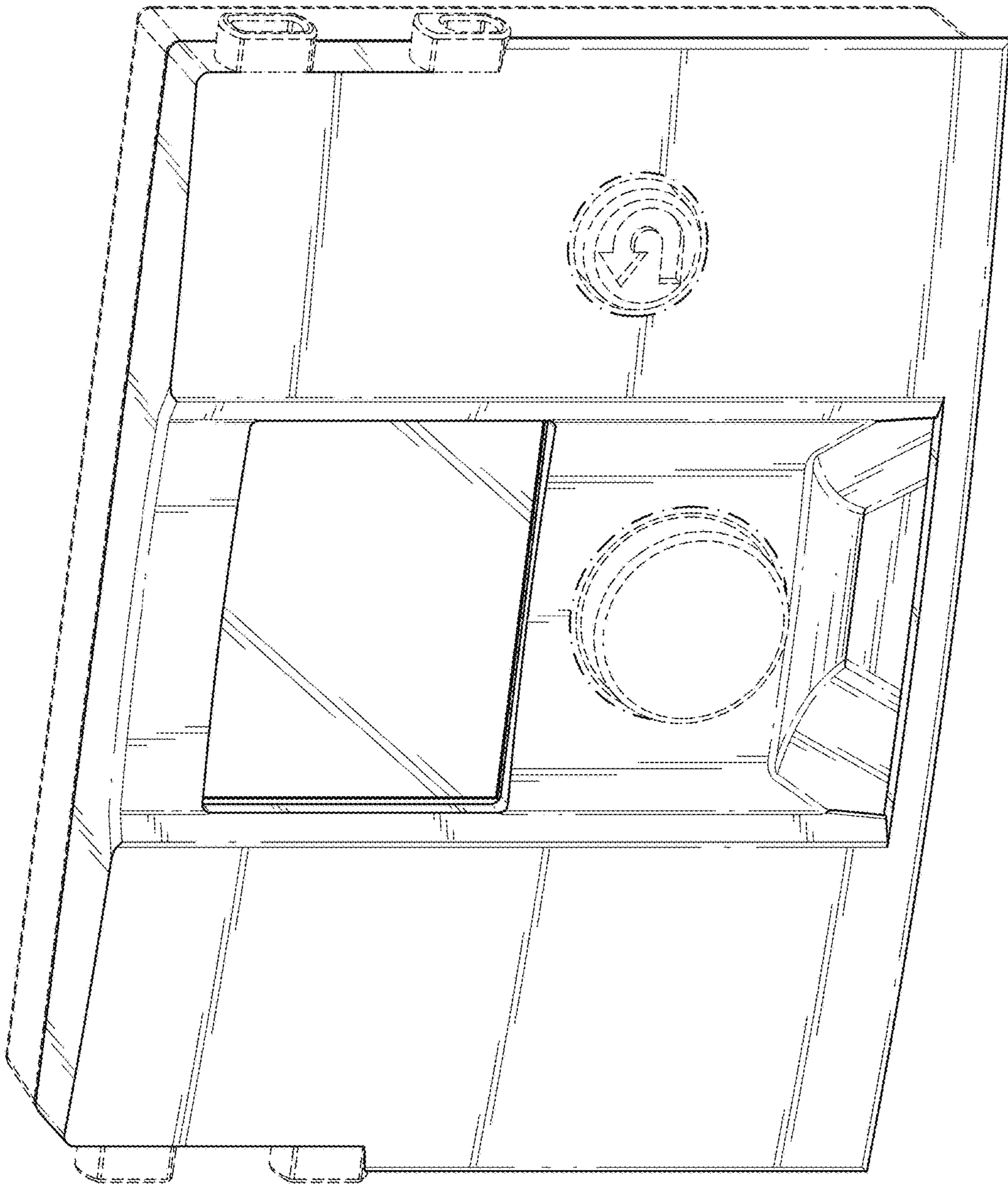


FIG. 1

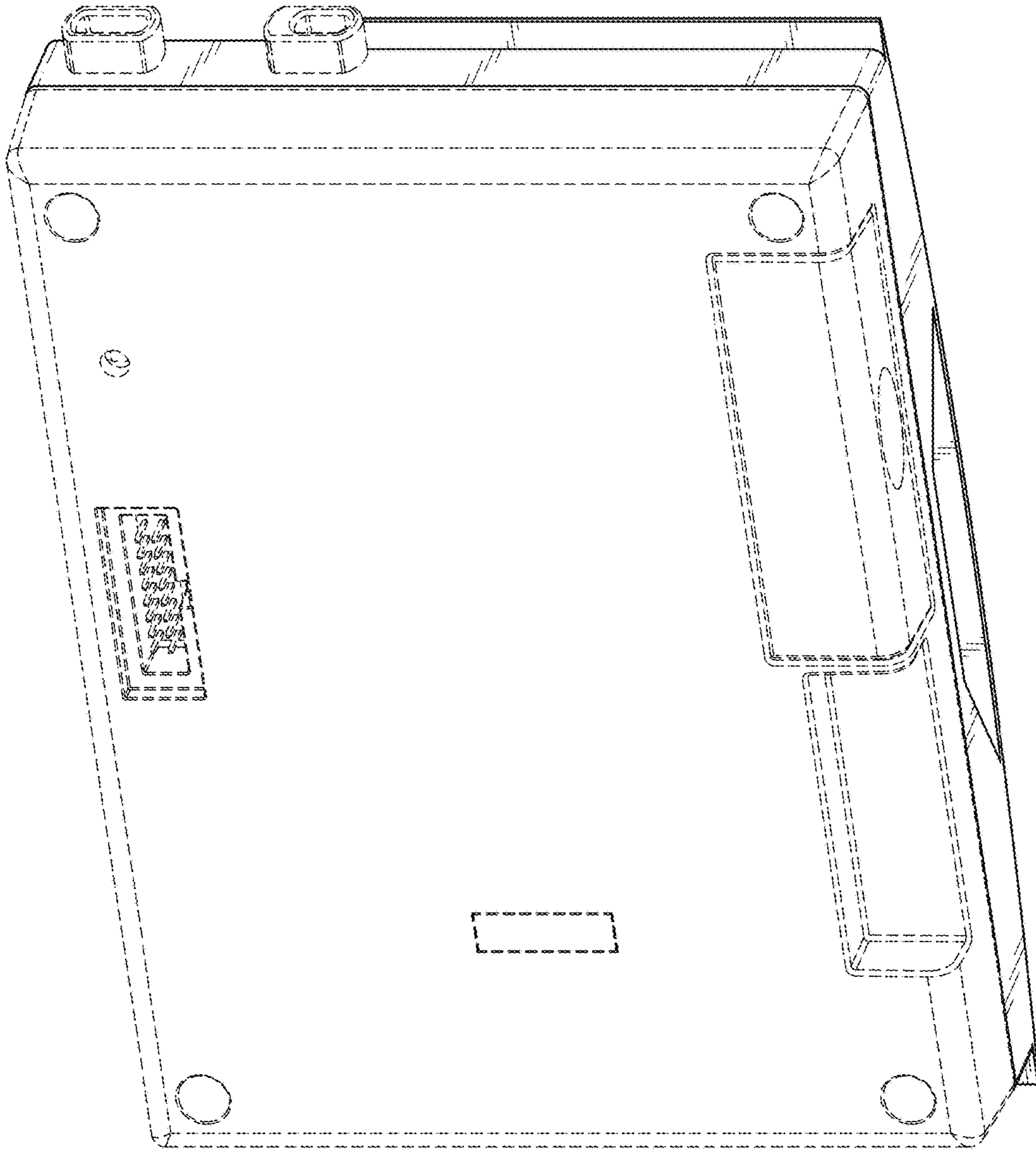


FIG. 2

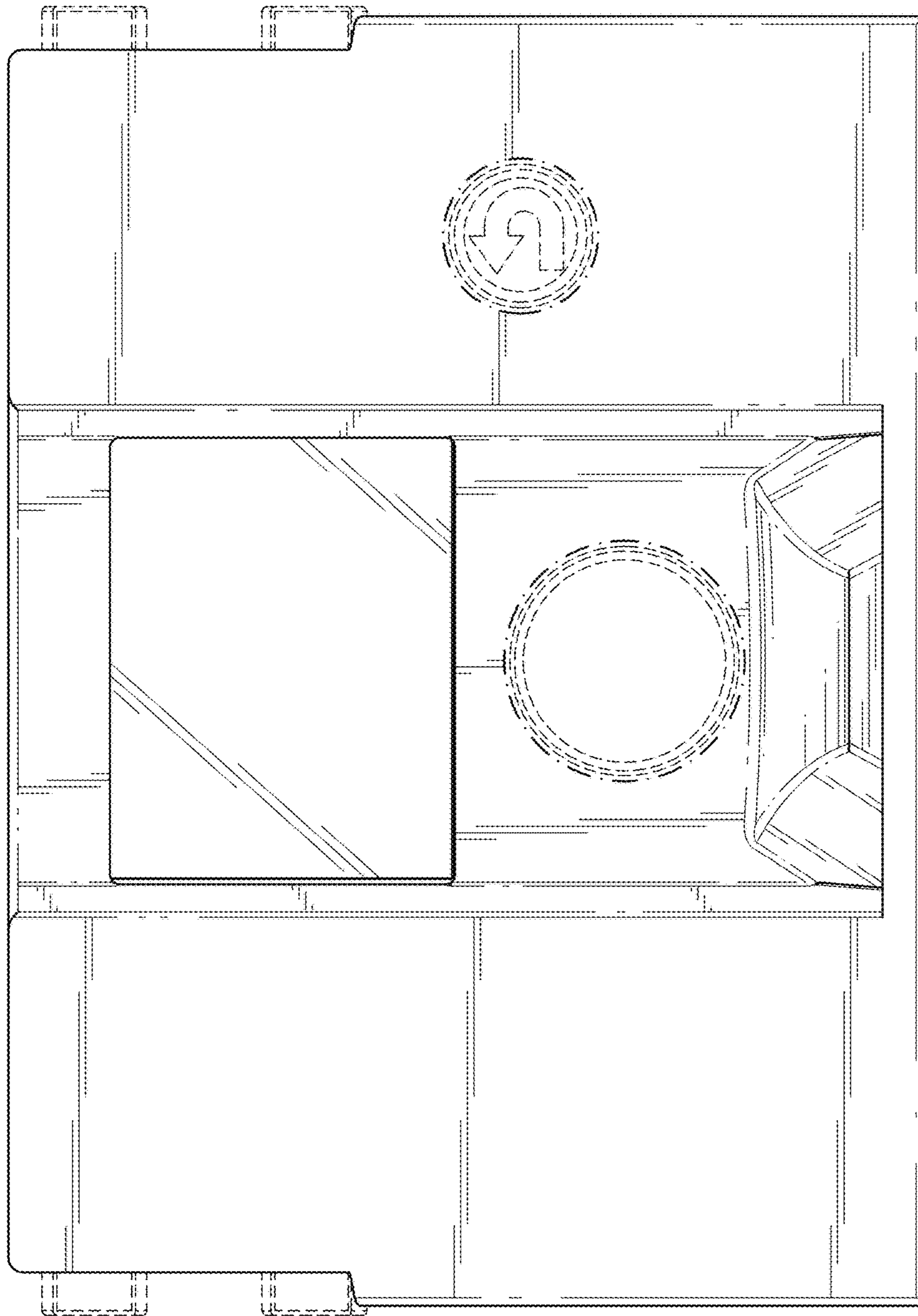


FIG. 3

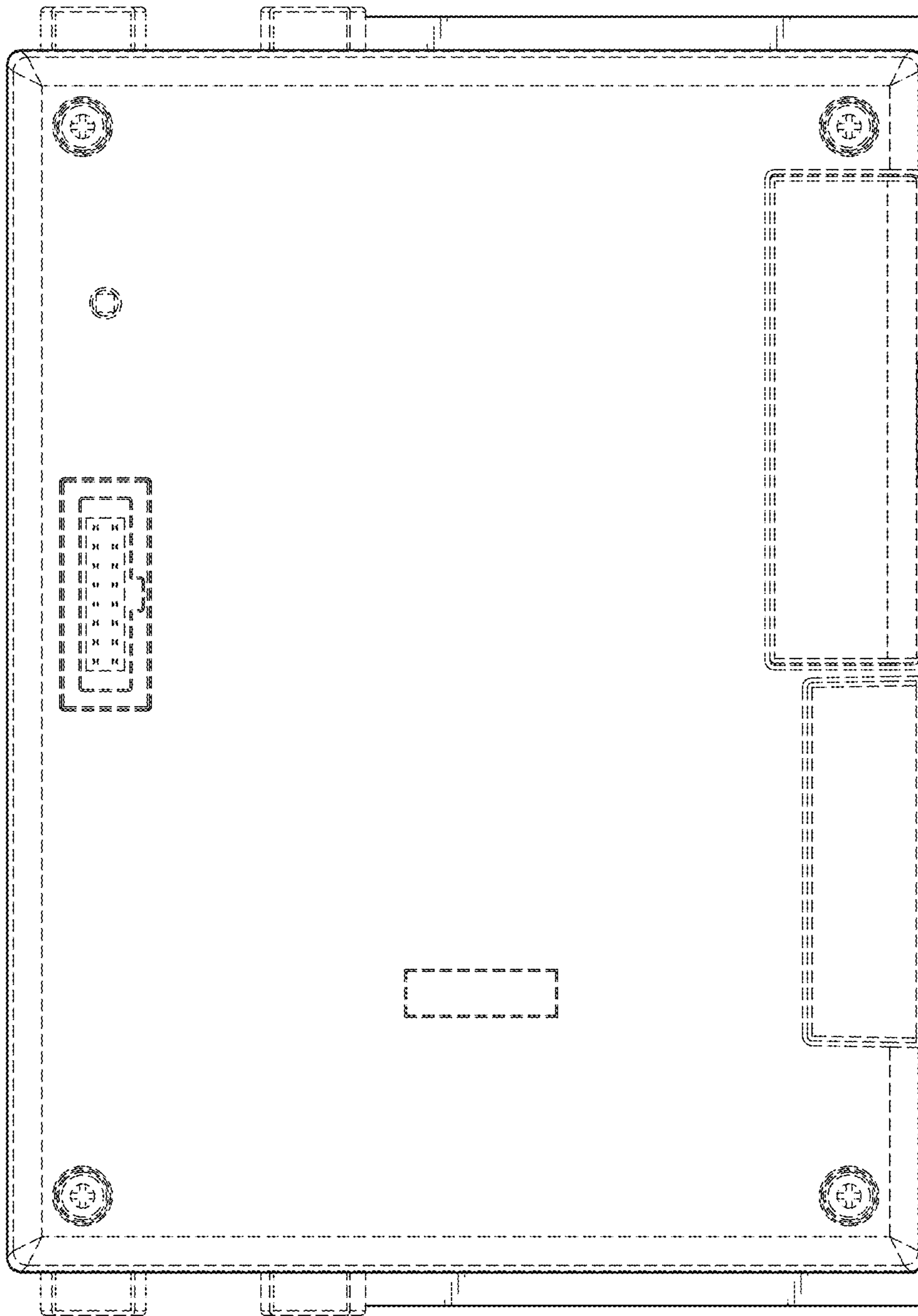


FIG. 4

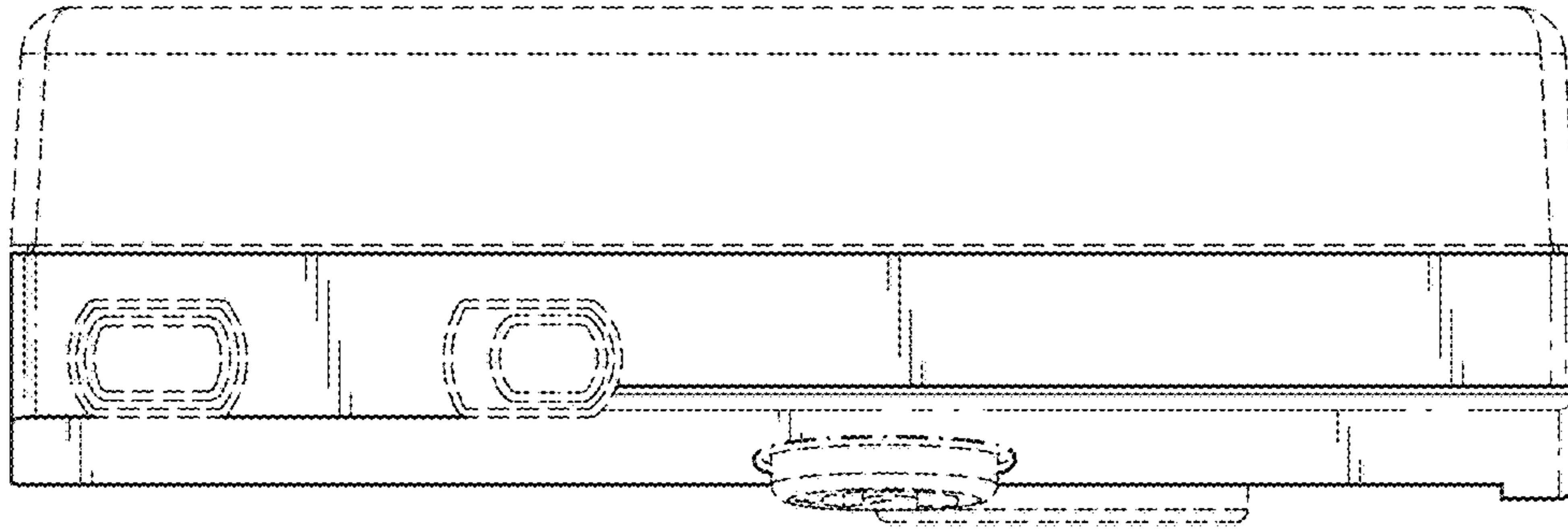


FIG. 6

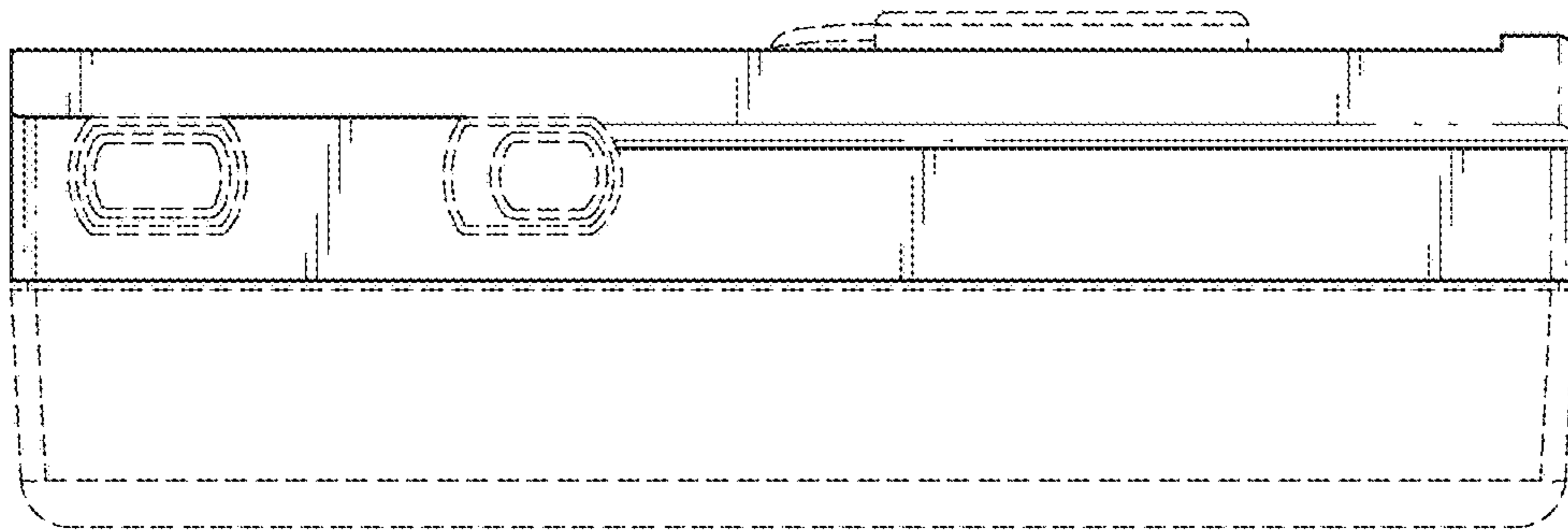


FIG. 5

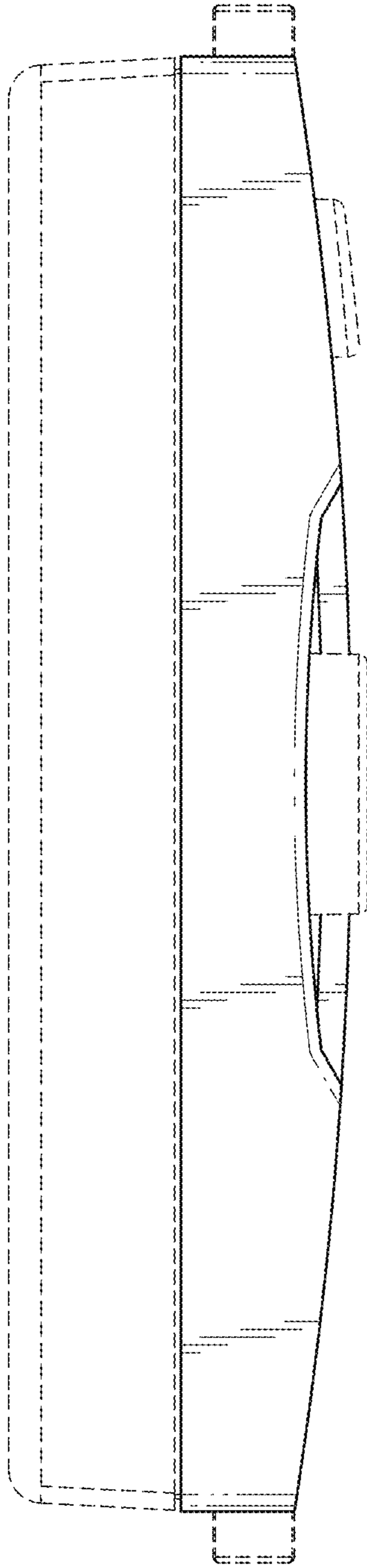


FIG. 7

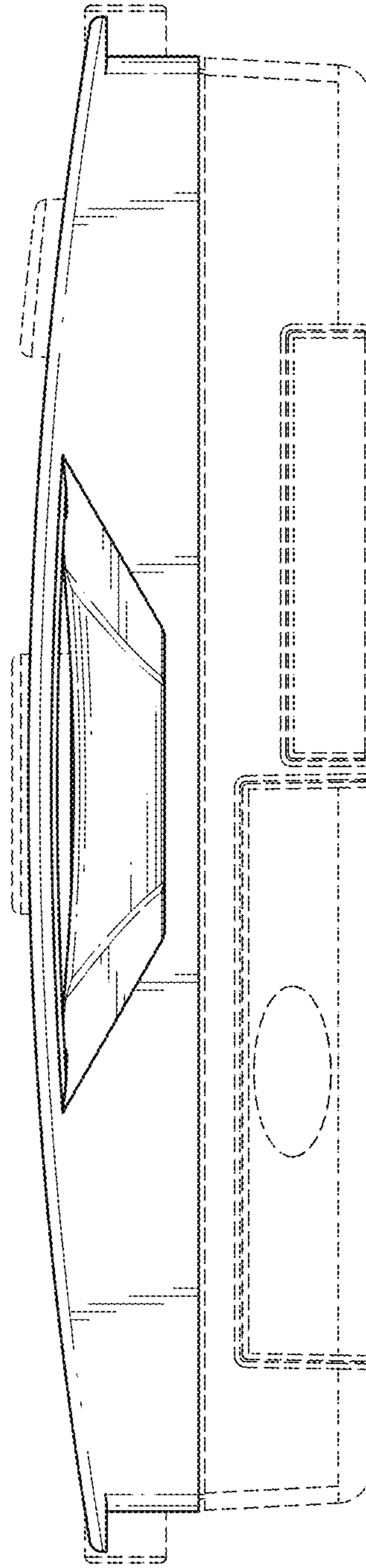


FIG. 8