



US00D854504S

(12) **United States Design Patent**  
**Gieski et al.**

(10) **Patent No.:** **US D854,504 S**

(45) **Date of Patent:** **\*\* Jul. 23, 2019**

(54) **ELECTRICAL POWER CONNECTOR**

(71) Applicant: **FCI USA LLC**, Etters, PA (US)

(72) Inventors: **Christopher S. Gieski**, Gardners, PA (US); **Michael Blanchfield**, Mechanicsburg, PA (US); **Michael Percherke**, Enola, PA (US)

(73) Assignee: **FCI USA LLC**, Etters, PA (US)

(\*\*) Term: **15 Years**

(21) Appl. No.: **29/638,323**

(22) Filed: **Feb. 26, 2018**

**Related U.S. Application Data**

(62) Division of application No. 29/544,773, filed on Nov. 6, 2015, now Pat. No. Des. 813,168.

(51) **LOC (11) Cl.** ..... **13-03**

(52) **U.S. Cl.**  
USPC ..... **D13/147**

(58) **Field of Classification Search**  
USPC ..... D13/133, 146, 147, 154, 184, 199  
CPC ..... H01R 12/00; H01R 12/52; H01R 12/53;  
H01R 12/57; H01R 12/585; H01R 12/716; H01R 12/724; H01R 12/737;  
H01R 13/05; H01R 13/08; H01R 13/13;  
H01R 13/41;

(Continued)

(56) **References Cited**

**U.S. PATENT DOCUMENTS**

3,033,914 A 8/1962 Acosta-Lleras  
D311,380 S 10/1990 Kameyama et al.  
5,267,876 A 7/1993 Rupert et al.

(Continued)

**OTHER PUBLICATIONS**

[No Author Listed] EXTreme OrthoPower™ Orthogonal DirectPower Connector System. Molex. [www.molex.com/link/extremeorthopower.html](http://www.molex.com/link/extremeorthopower.html), 2 pages. 2014. -

*Primary Examiner* — Daniel D Bui

(74) *Attorney, Agent, or Firm* — Wolf, Greenfield & Sacks, P.C.

(57) **CLAIM**

The ornamental design for an electrical power connector, as shown and described.

**DESCRIPTION**

FIG. 1 is a top, left, front perspective view of an electrical power connector according to a first embodiment of our new design;

FIG. 2 is a bottom, right, rear perspective view thereof;

FIG. 3 is a bottom, right, front perspective view thereof;

FIG. 4 is a top, left, rear perspective view thereof;

FIG. 5 is a top, right, front perspective view thereof;

FIG. 6 is a top, right, rear perspective view thereof;

FIG. 7 is a front elevation view thereof;

FIG. 8 is a rear elevation view thereof;

FIG. 9 is a top plan view thereof;

FIG. 10 is a bottom plan view thereof;

FIG. 11 is a left side elevation view thereof;

FIG. 12 is a right side elevation view thereof;

FIG. 13 is a bottom, left, front perspective view of a second embodiment thereof;

FIG. 14 is a top, right, rear perspective view of FIG. 13;

FIG. 15 is a top, left, rear perspective view of FIG. 13;

FIG. 16 is a top, left, front perspective view of FIG. 13;

FIG. 17 is another top, left, front perspective view of FIG. 13;

FIG. 18 is another top, right, rear perspective view of FIG. 13;

FIG. 19 is a top plan view of FIG. 13;

FIG. 20 is a bottom plan view of FIG. 13;

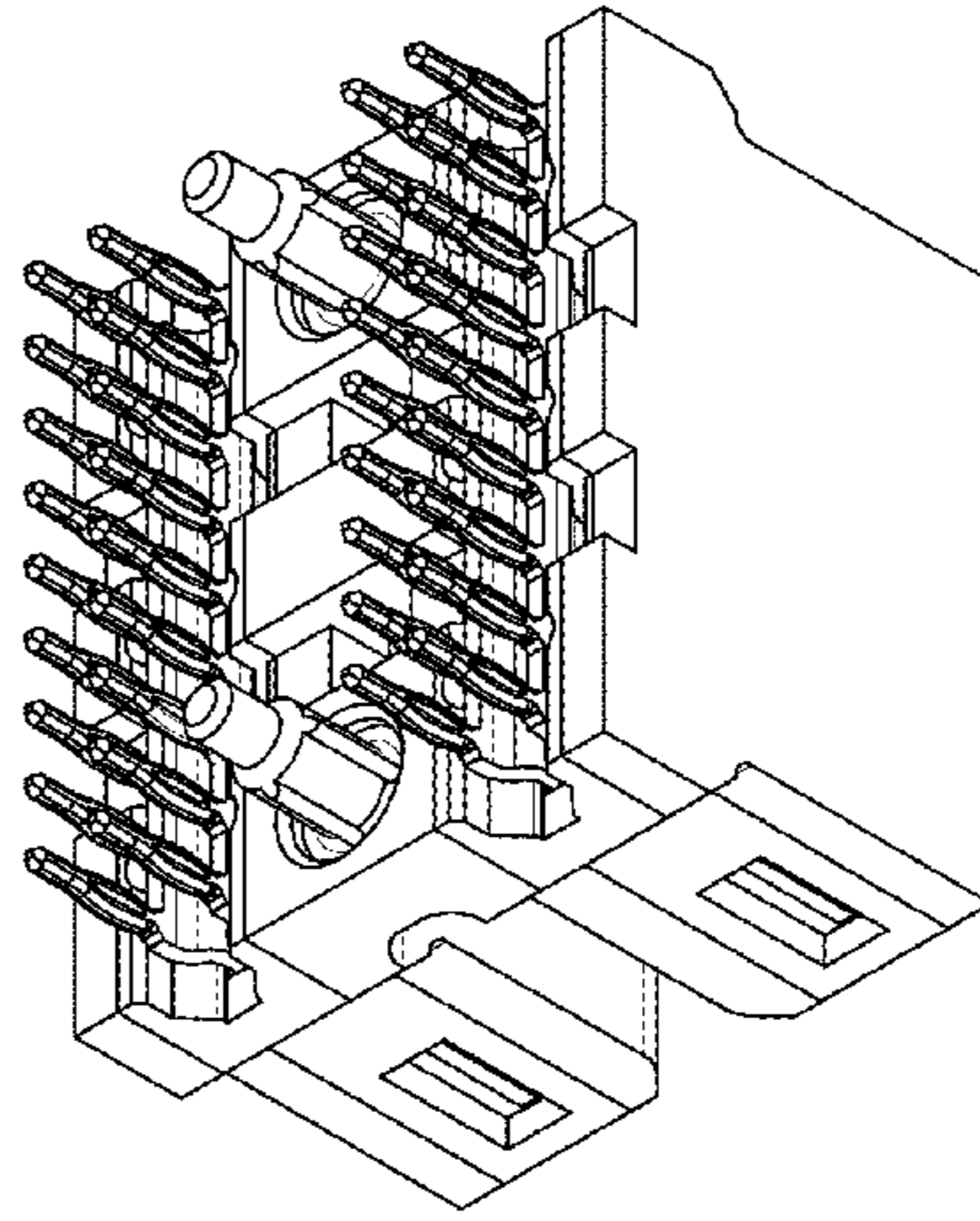
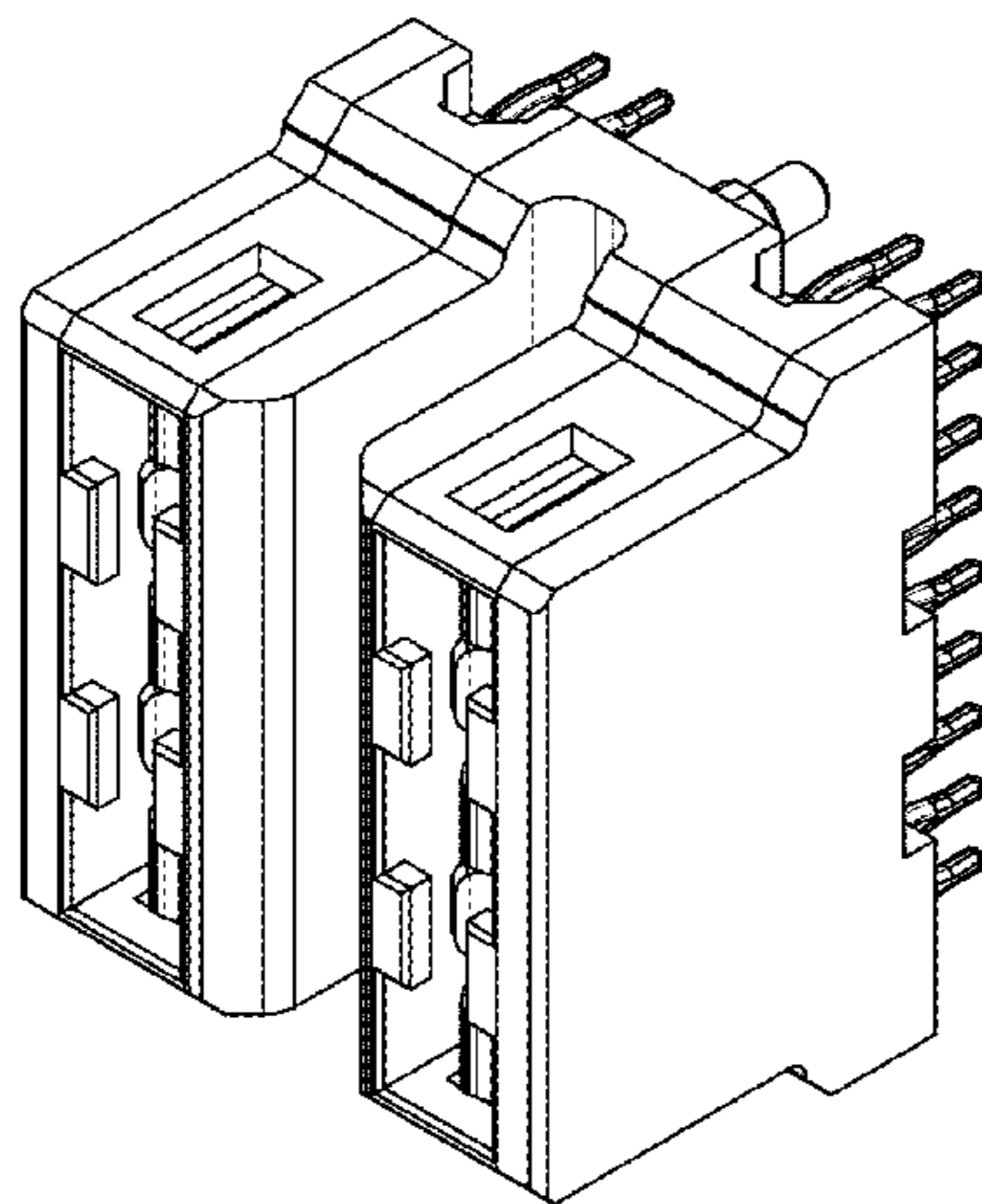
FIG. 21 is a right side elevation view of FIG. 13;

FIG. 22 is a left side elevation view of FIG. 13;

FIG. 23 is a front elevation view of FIG. 13; and,

FIG. 24 is a rear elevation view of FIG. 13.

**1 Claim, 12 Drawing Sheets**



(58) **Field of Classification Search**

CPC .... H01R 13/514; H01R 13/516; H01R 13/60;  
H01R 13/6315; H01R 13/6401

See application file for complete search history.

(56) **References Cited**

U.S. PATENT DOCUMENTS

6,402,566	B1	11/2002	Middlehurst et al.	
D524,755	S	7/2006	Kudo	
7,258,562	B2	8/2007	Daily et al.	
D636,737	S	4/2011	Ngo et al.	
D761,206	S	7/2016	Chen	
D762,584	S	8/2016	Chen	
D762,585	S	8/2016	Chen	
D765,035	S *	8/2016	Buck .....	D13/147
9,419,356	B2 *	8/2016	Copper .....	H01R 12/7076
D780,125	S *	2/2017	Yang .....	D13/147
D785,571	S *	5/2017	Buck .....	D13/147
D813,167	S *	3/2018	Gieski .....	D13/147
D813,168	S *	3/2018	Gieski .....	D13/147

\* cited by examiner

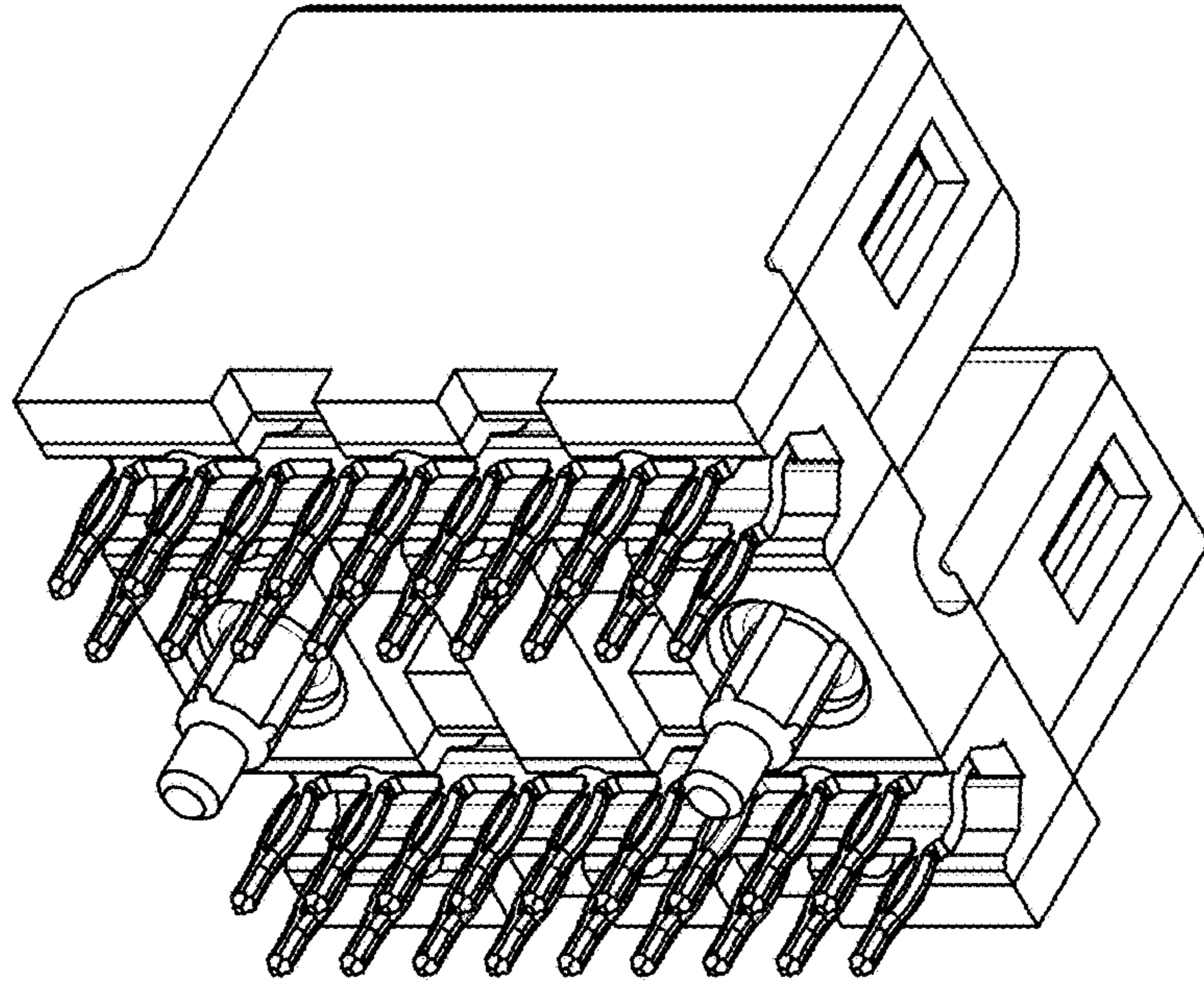


Fig. 2

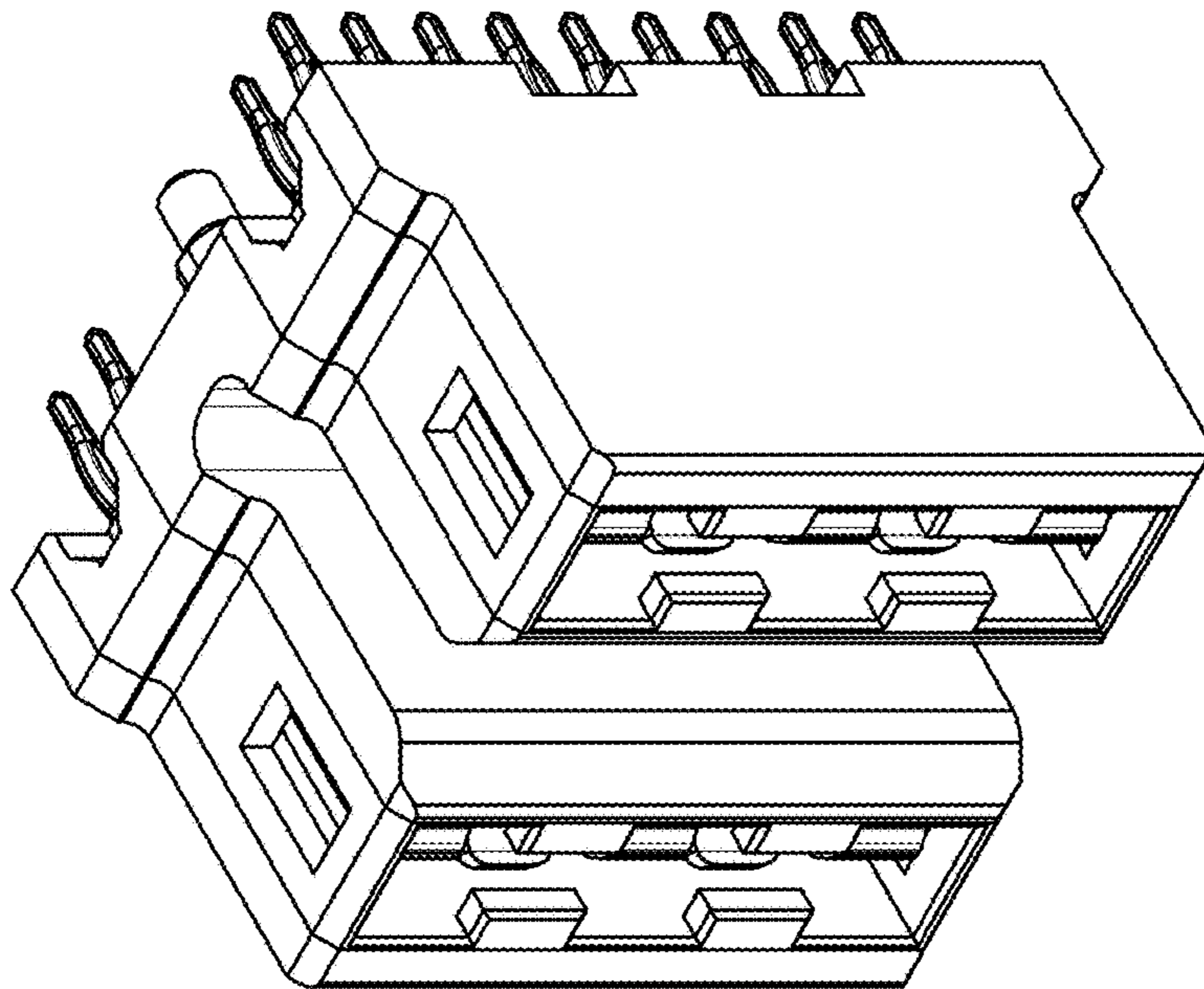


Fig. 1



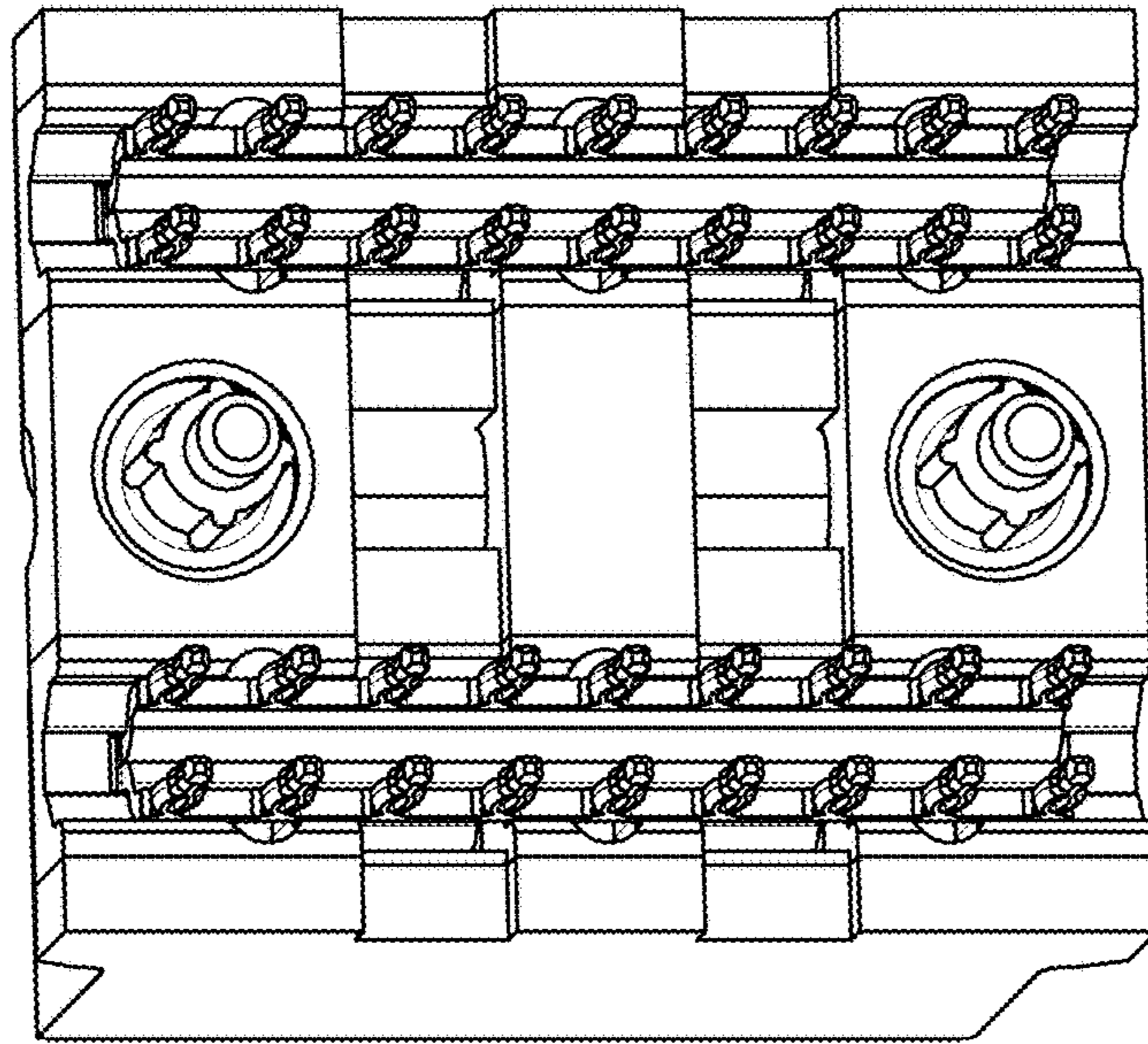


Fig. 4

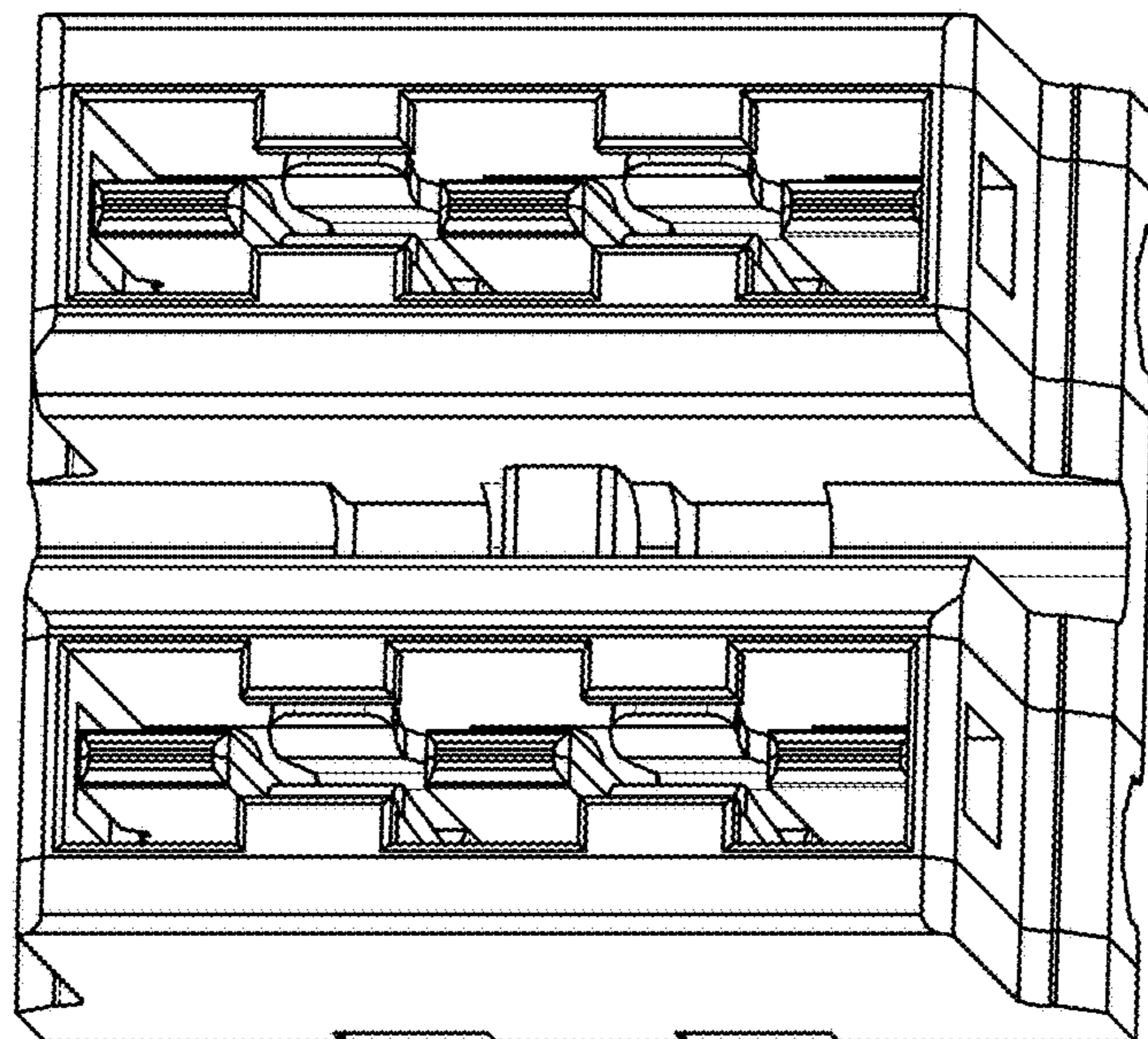


Fig. 3

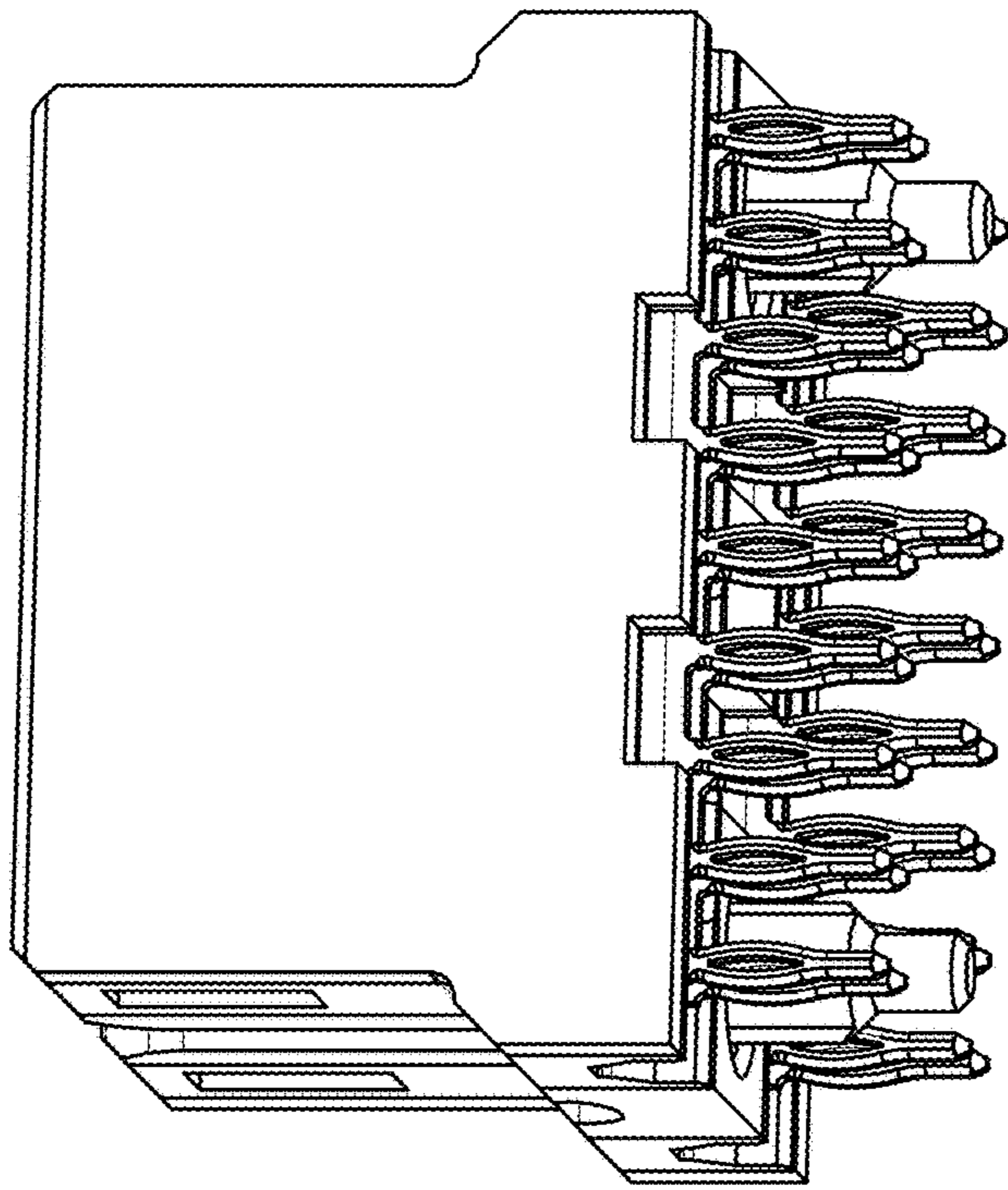


Fig. 5

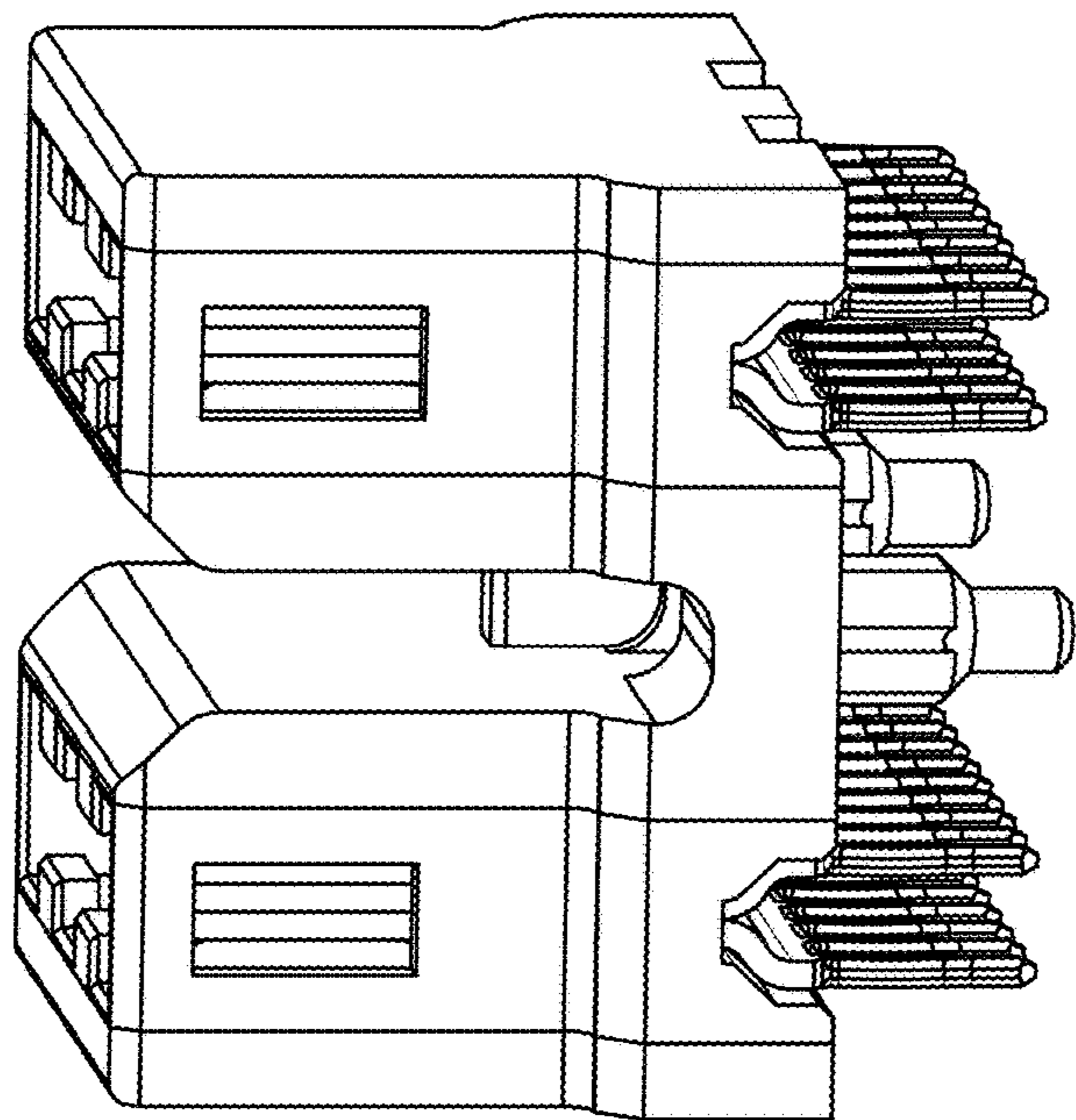


Fig. 6

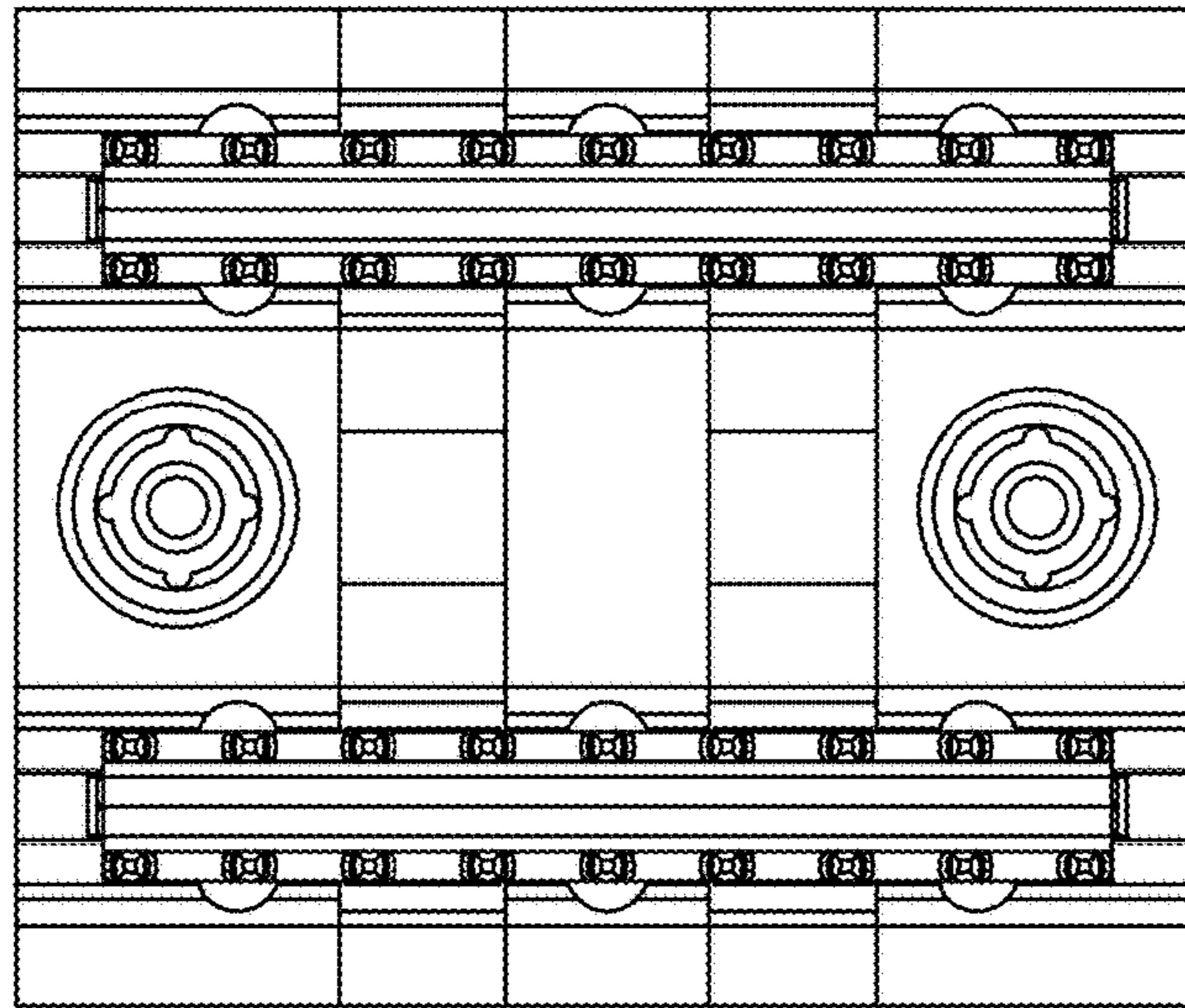


Fig. 8

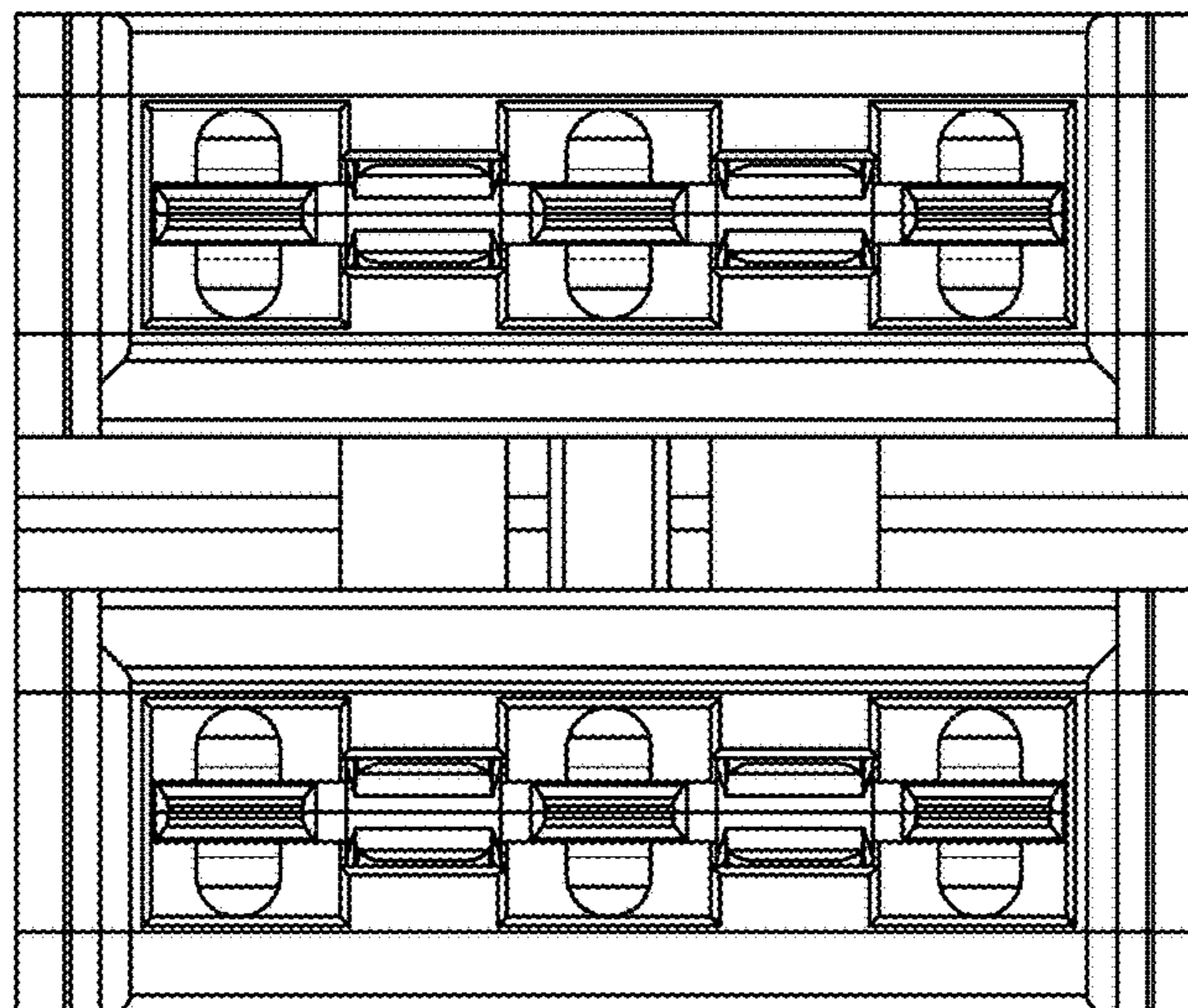


Fig. 7

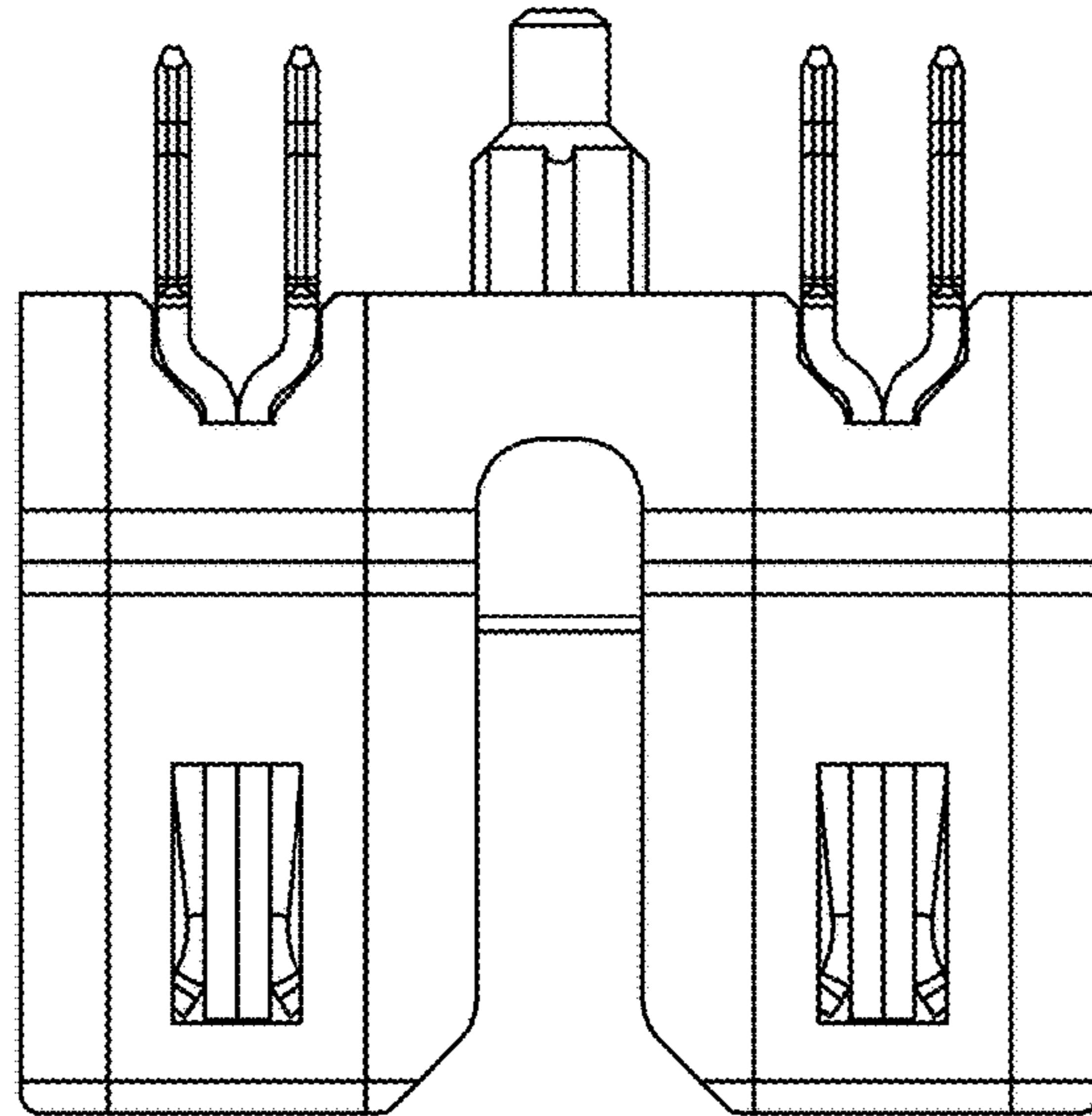


Fig. 9

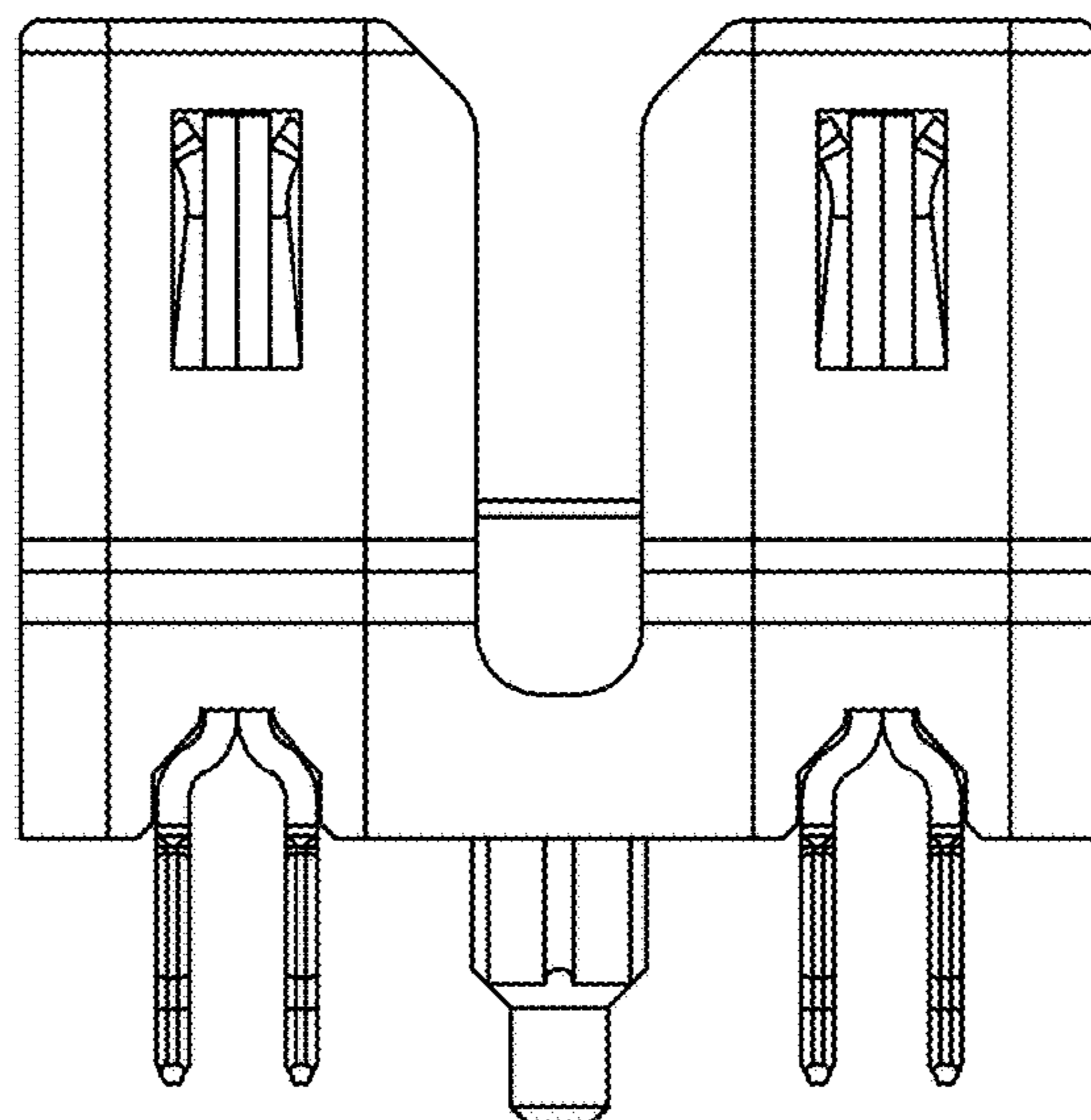


Fig. 10



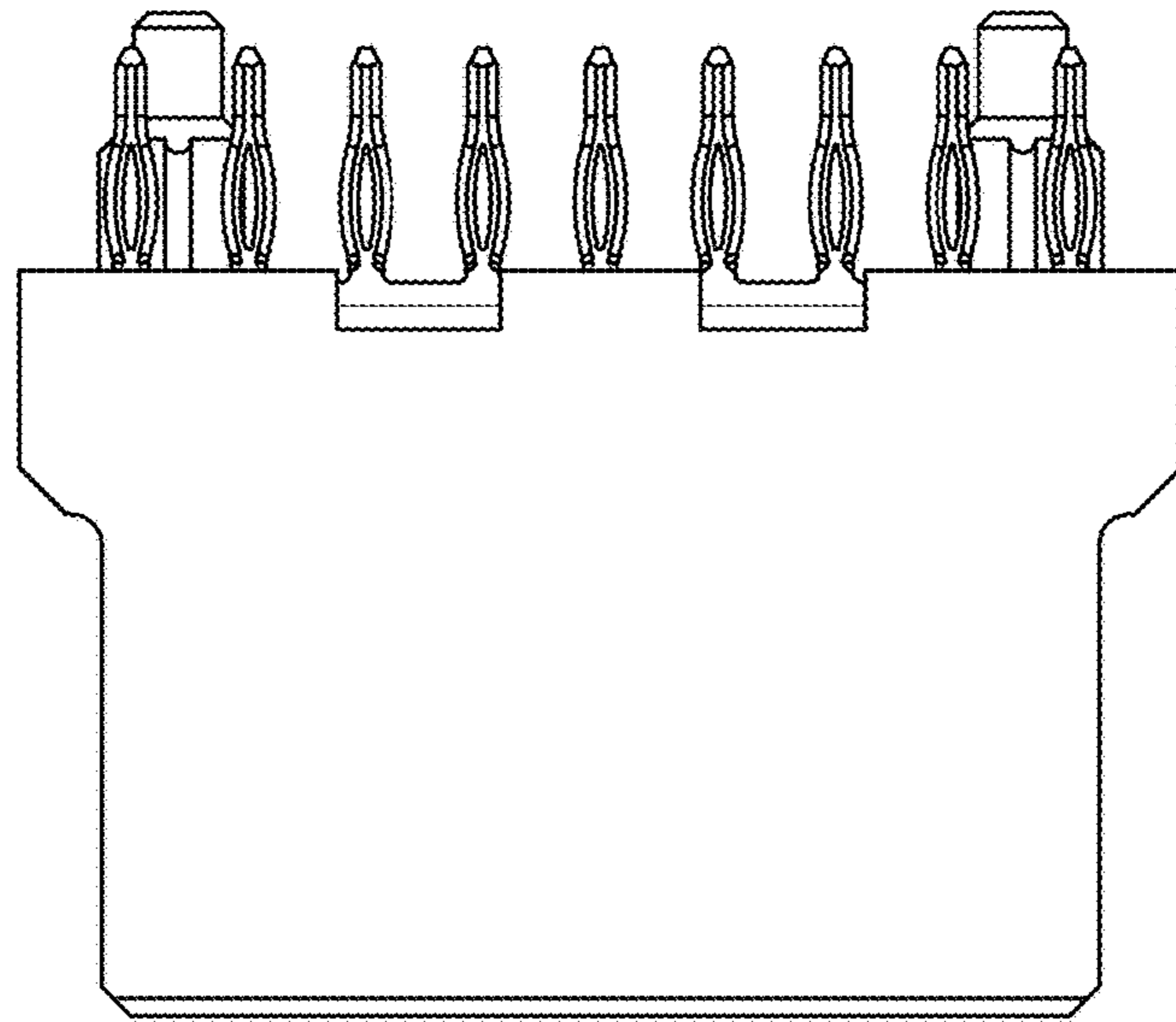


Fig. 12

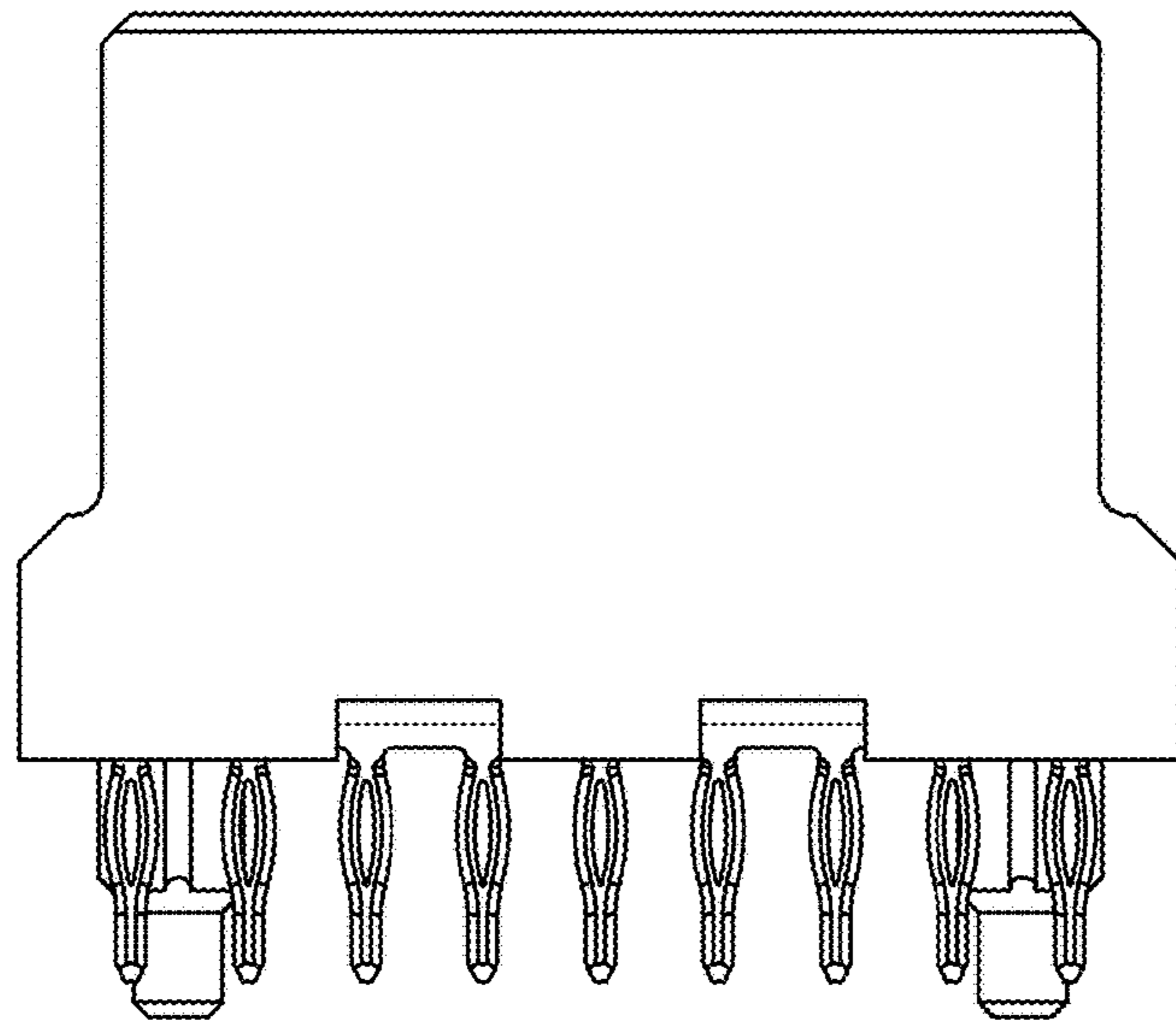


Fig. 11



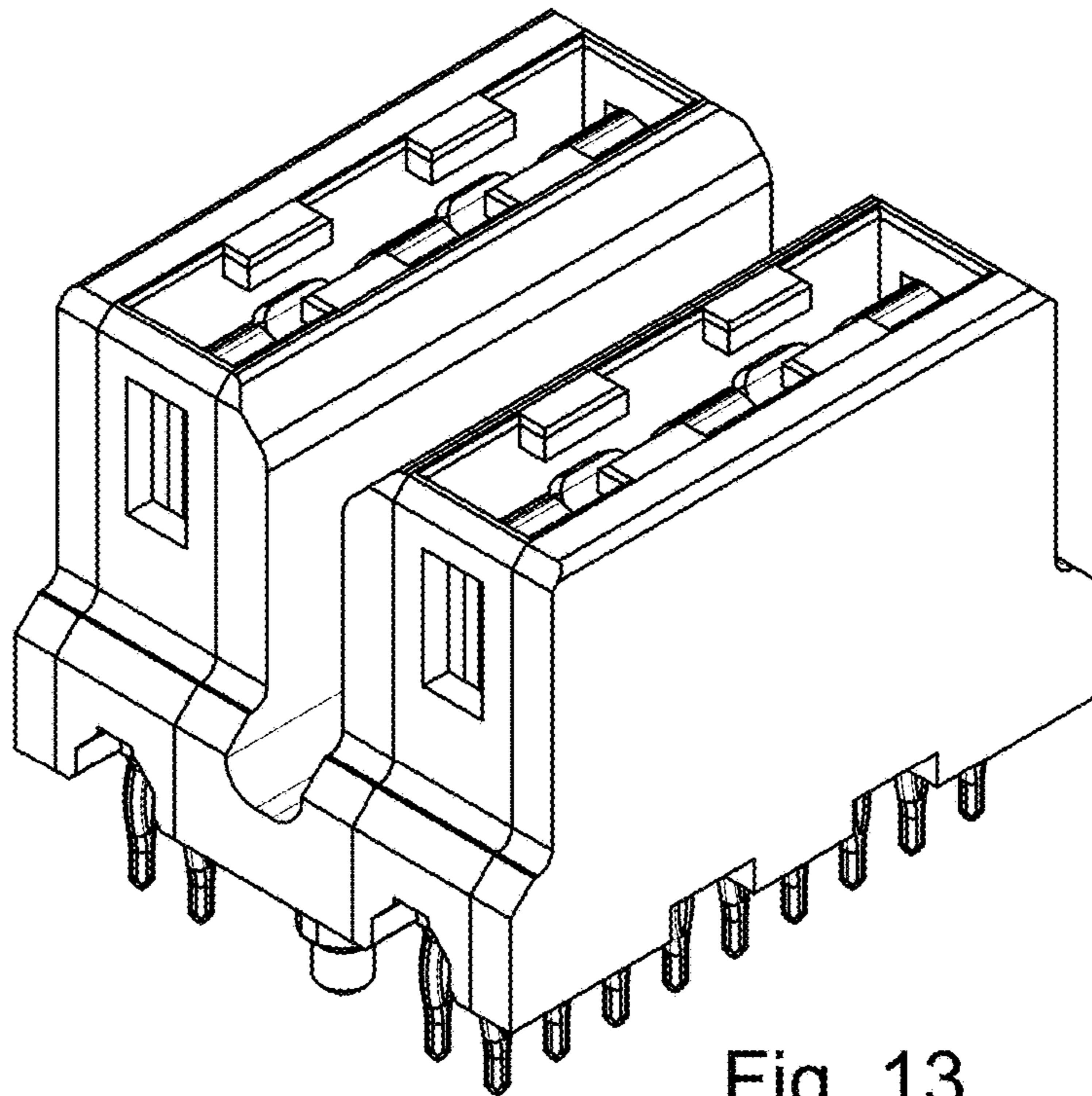


Fig. 13

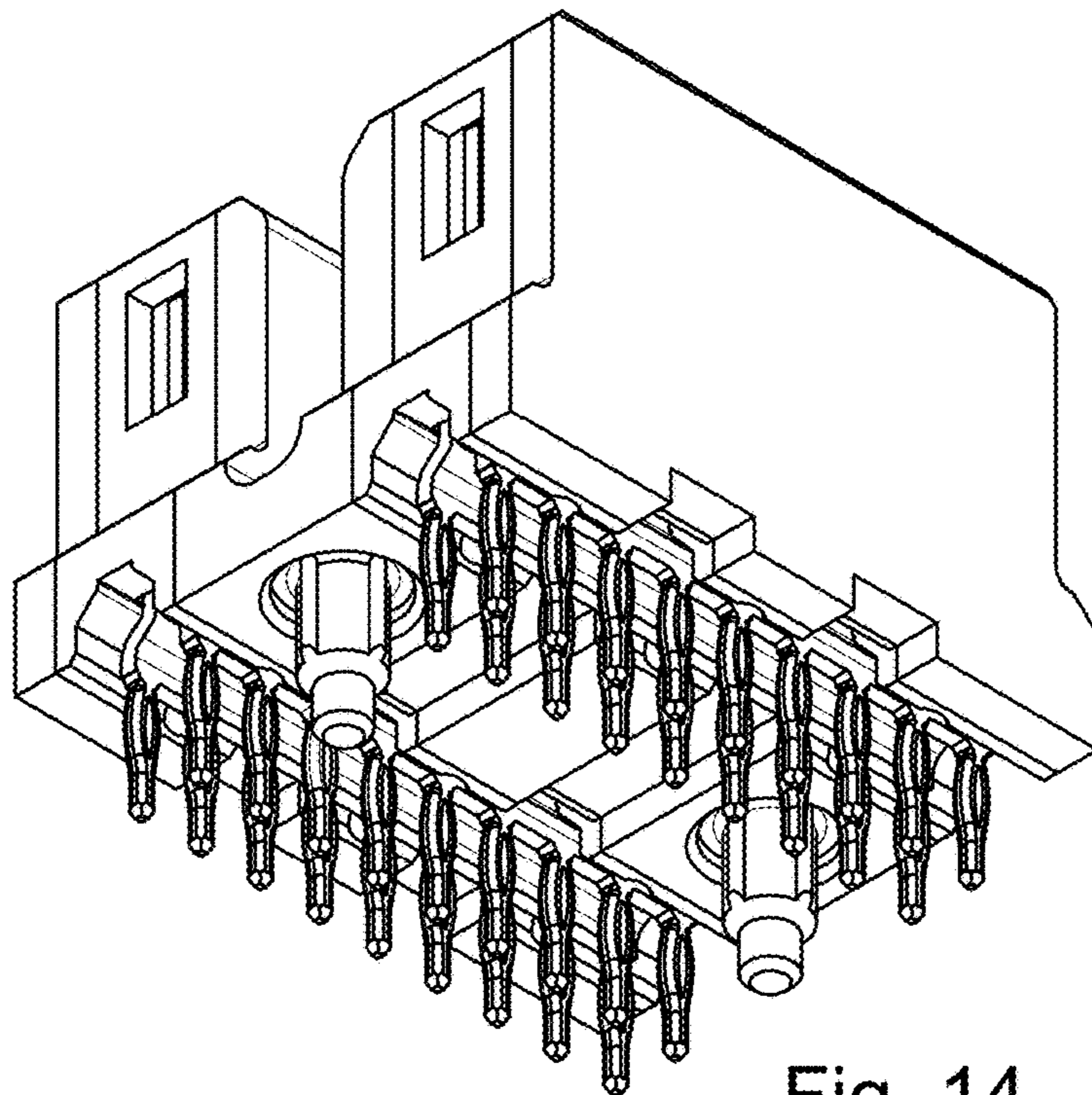


Fig. 14

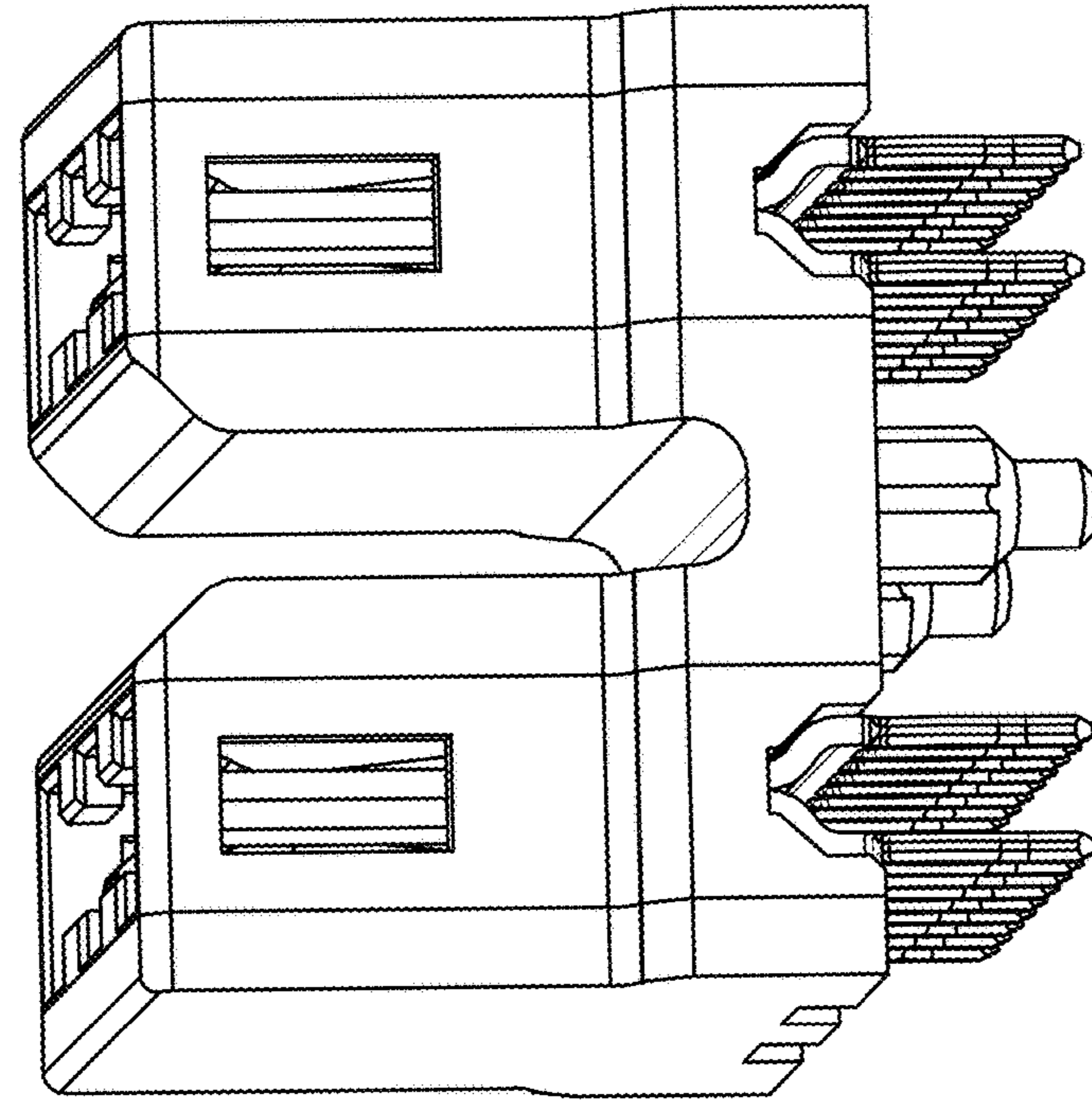


Fig. 16

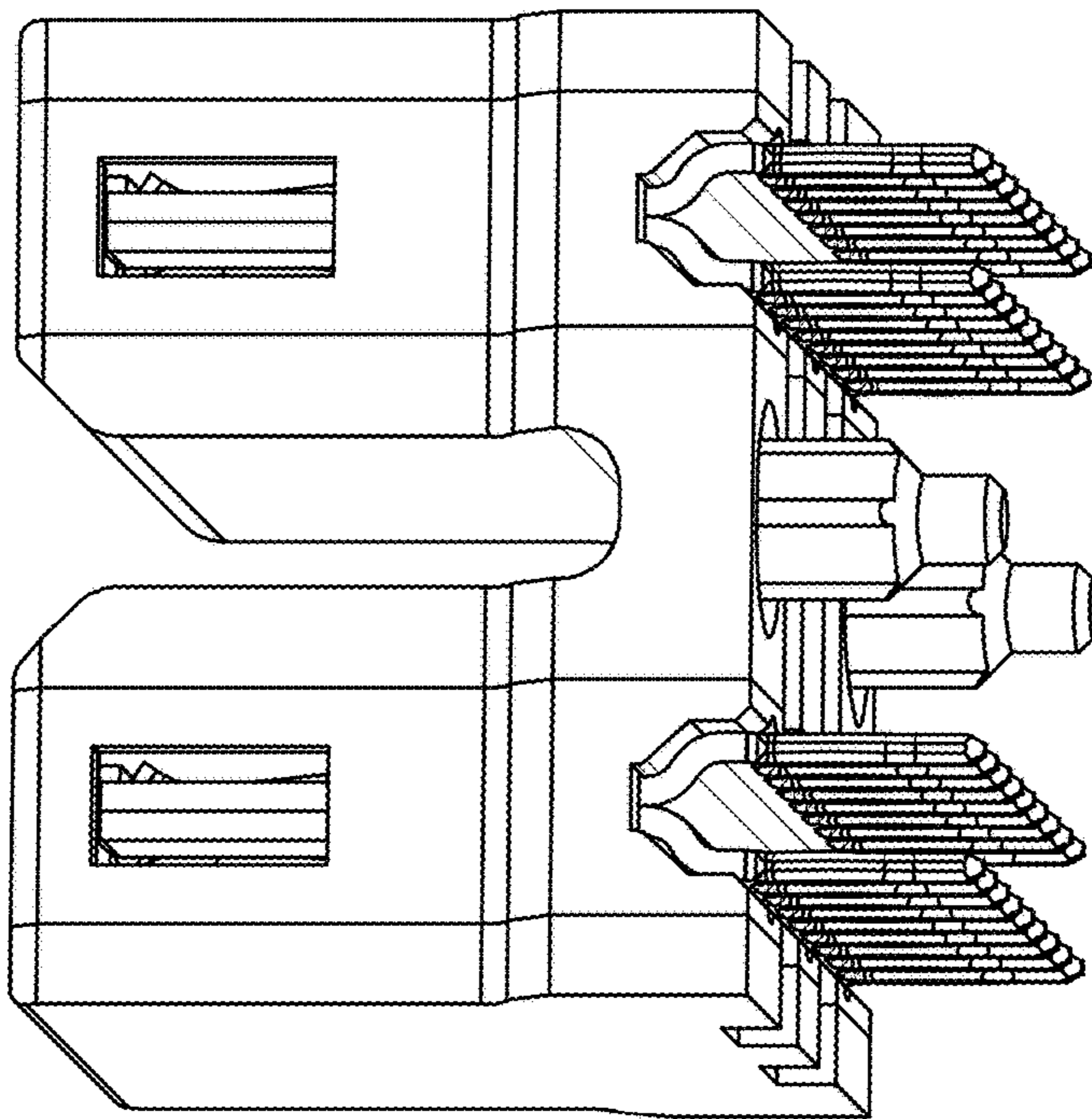


Fig. 15

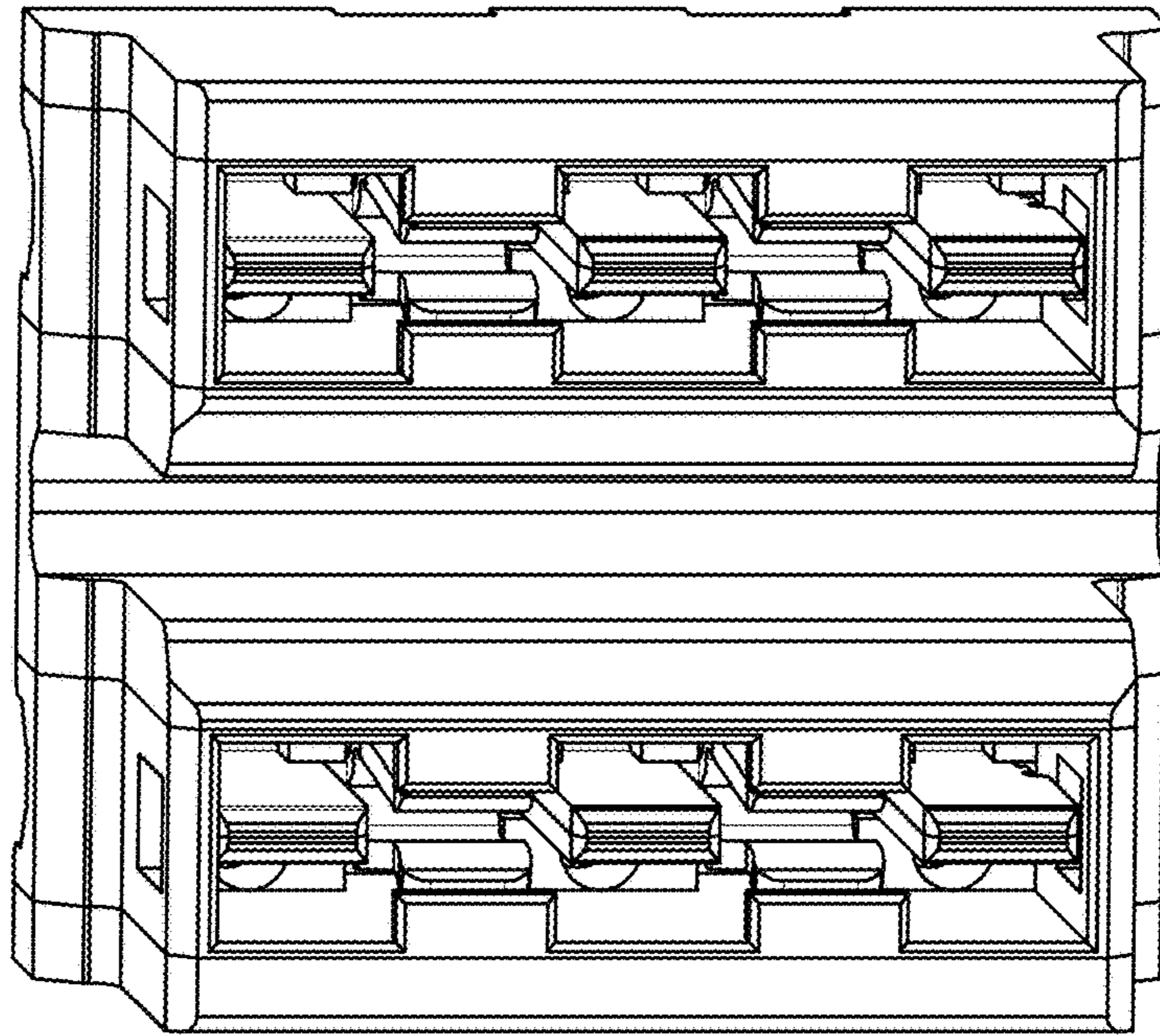


Fig. 17

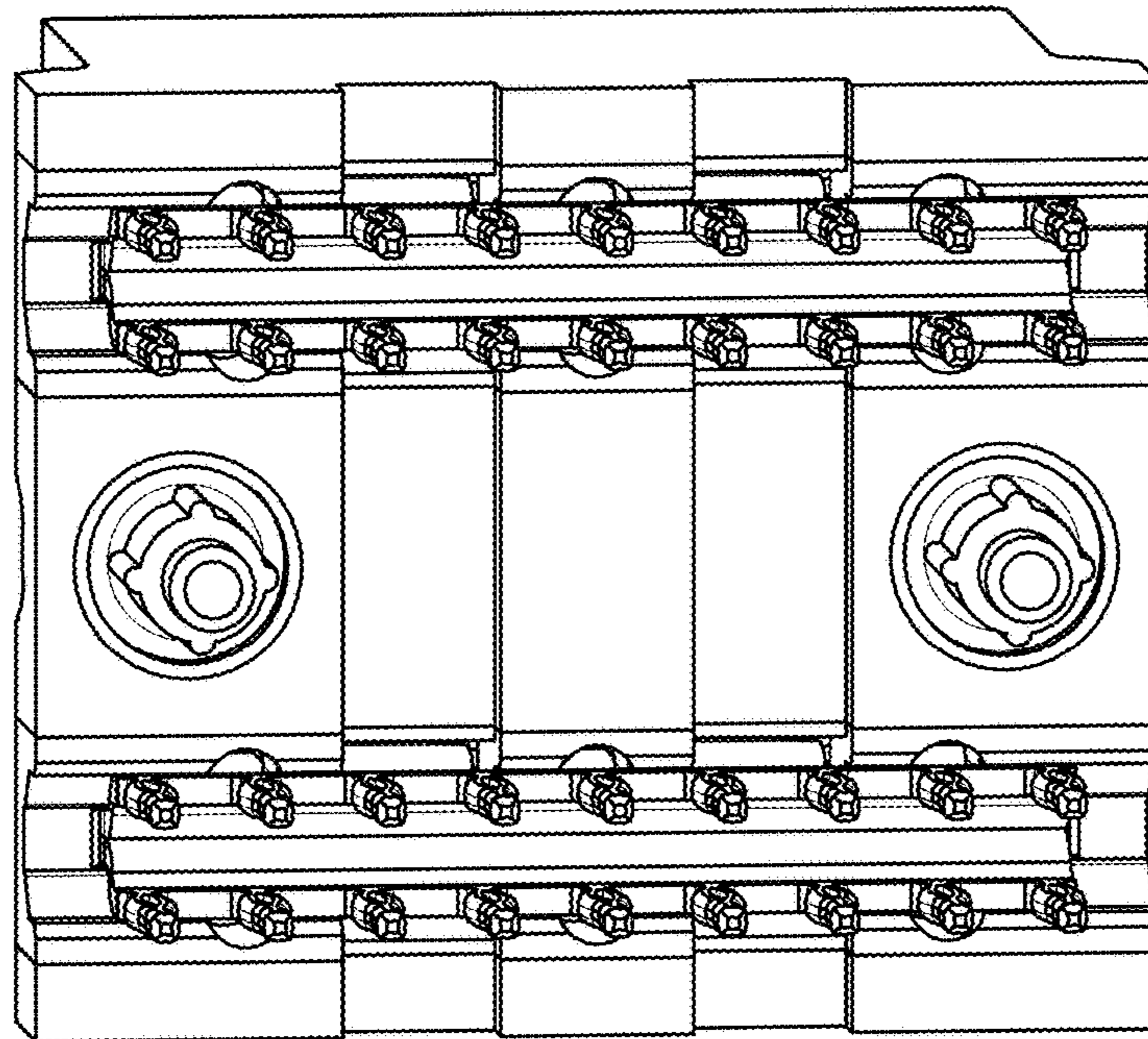


Fig. 18



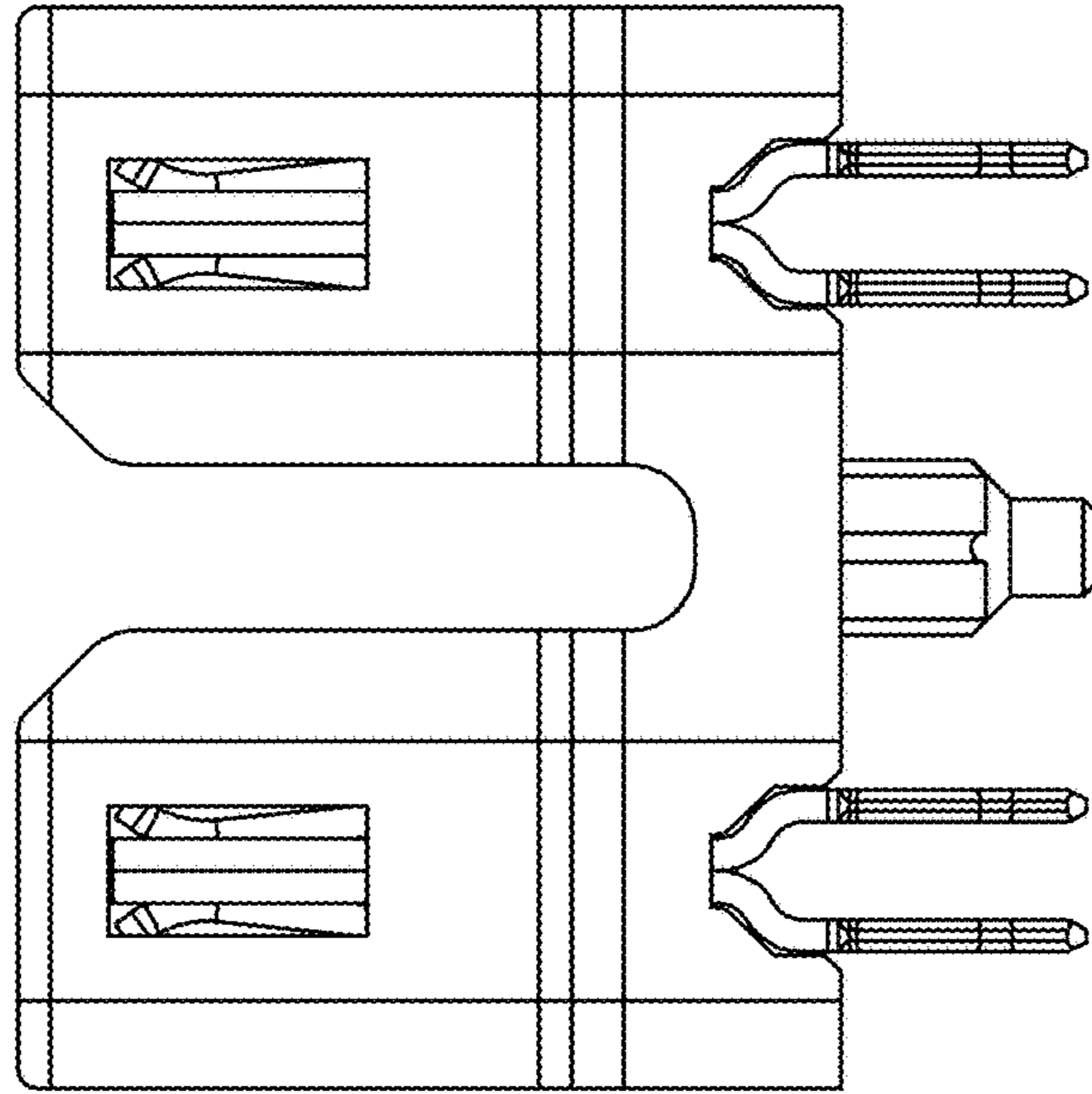


Fig. 20

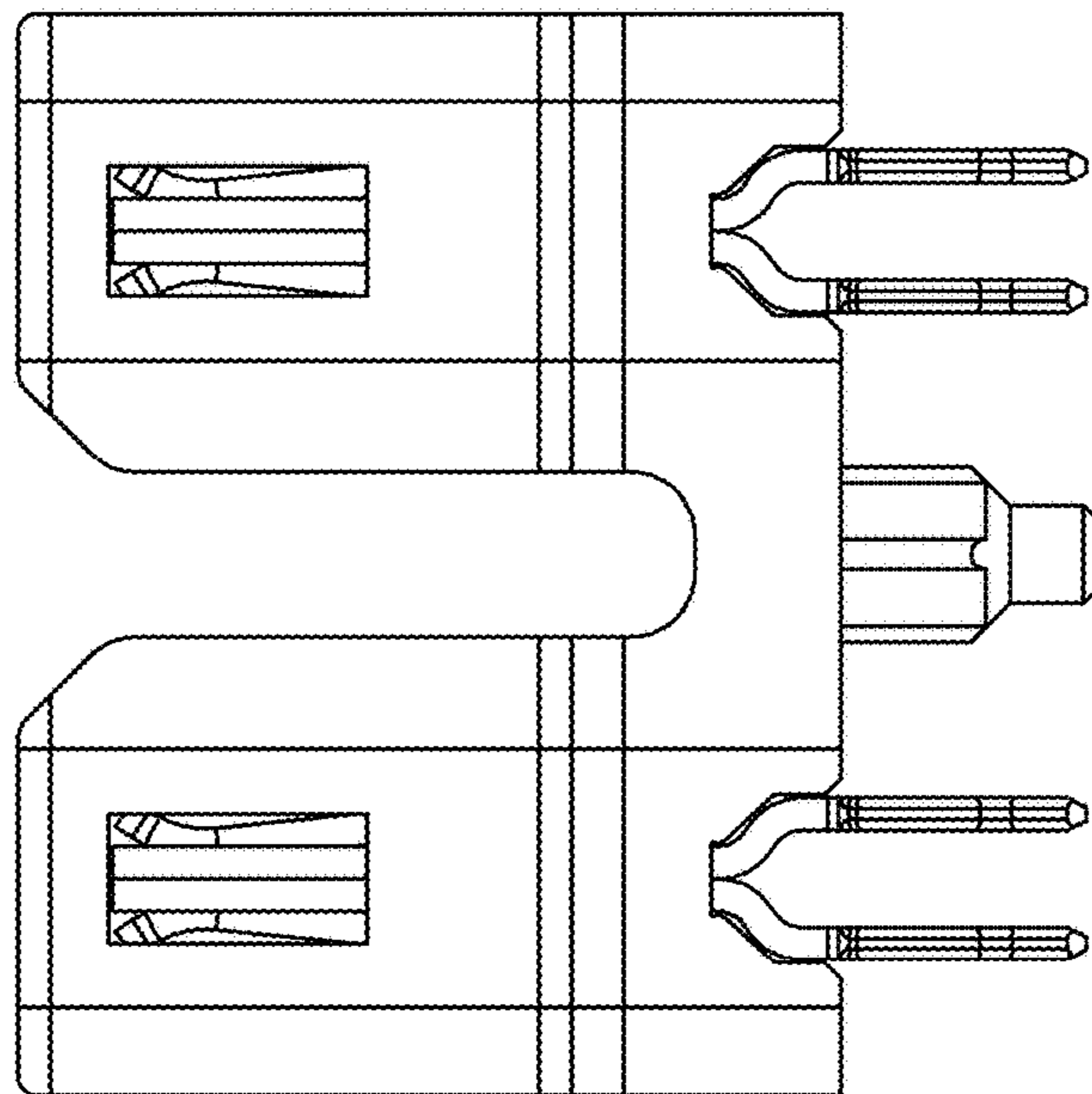


Fig. 19

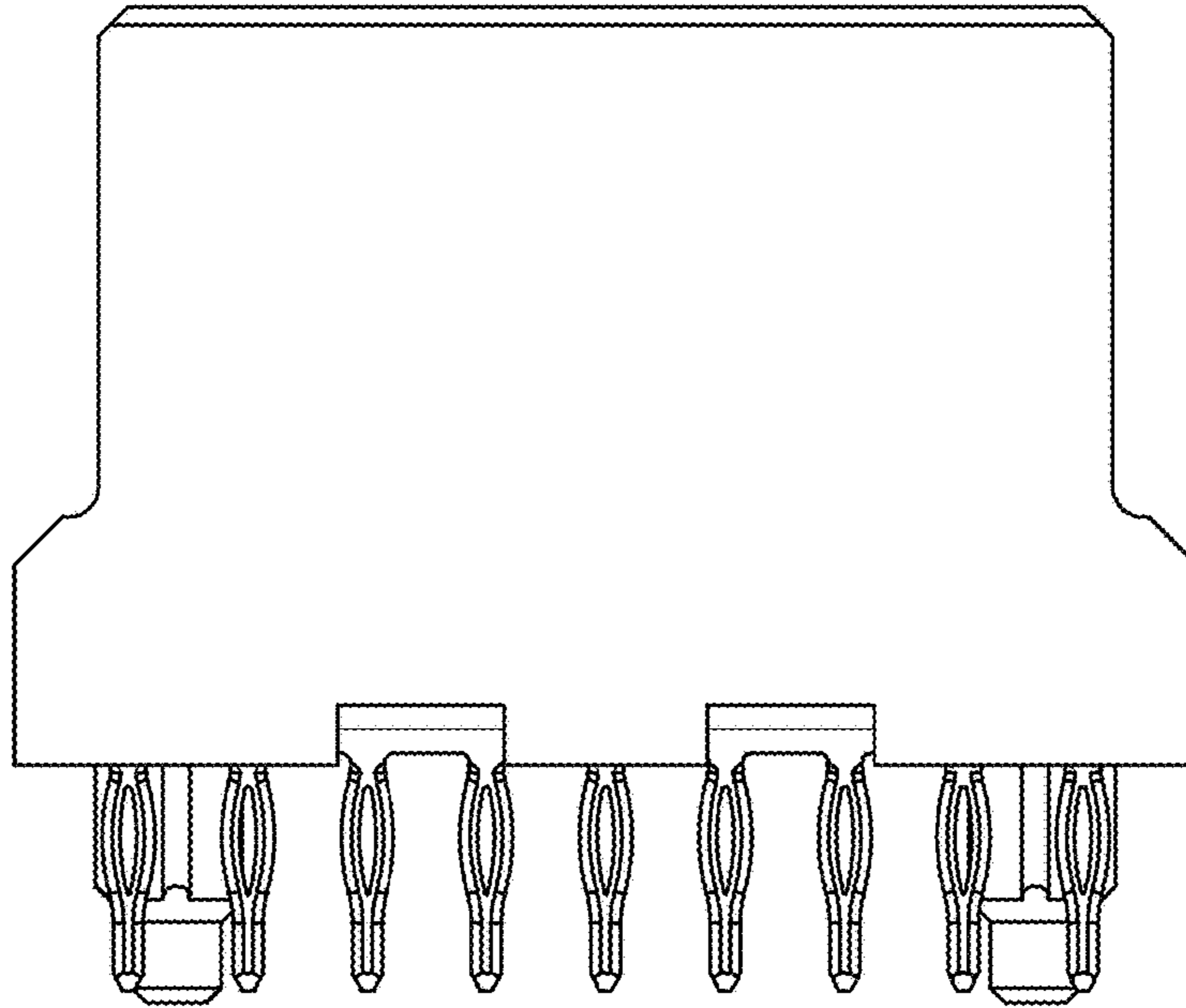


Fig. 21

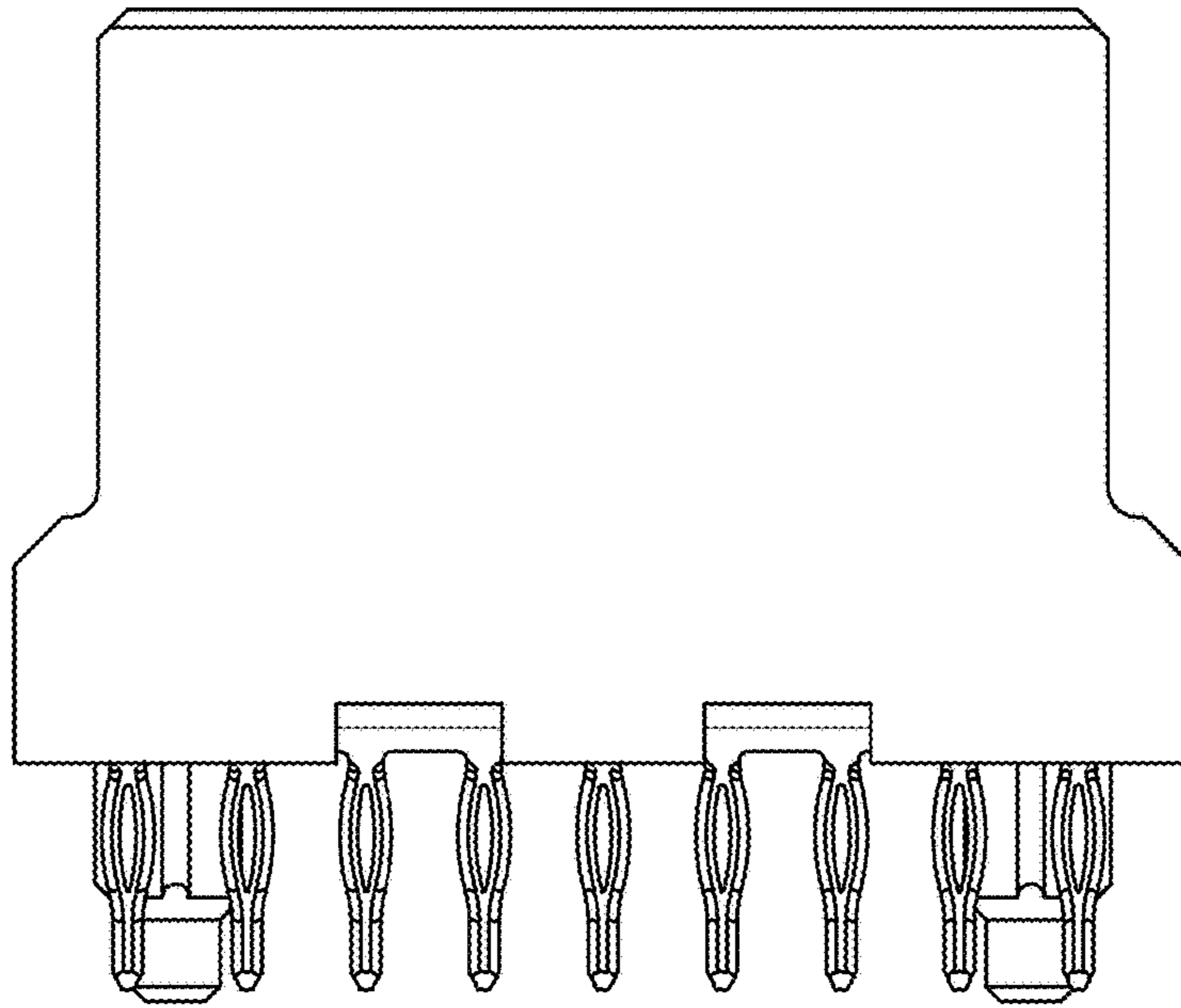


Fig. 22

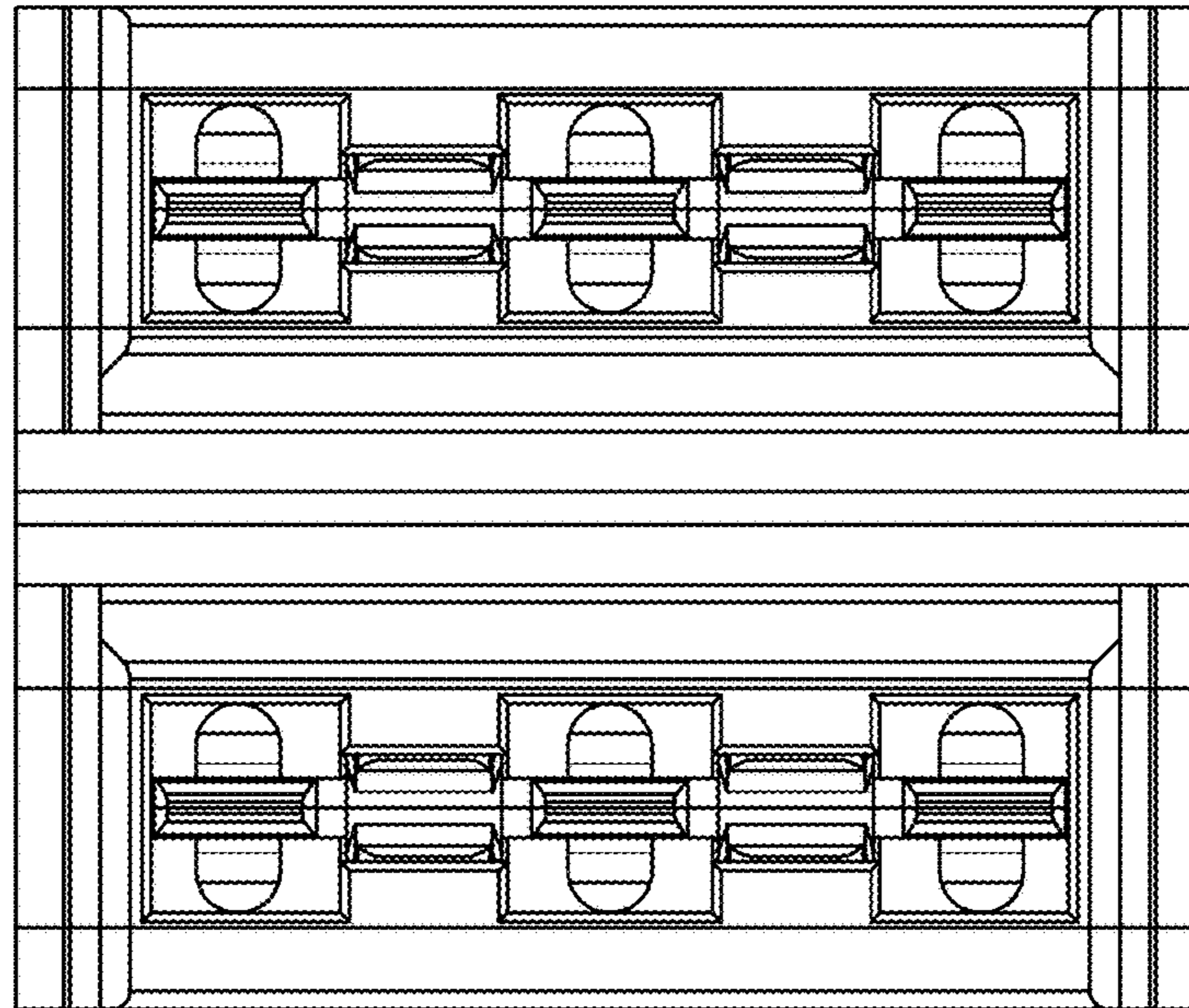


Fig. 23

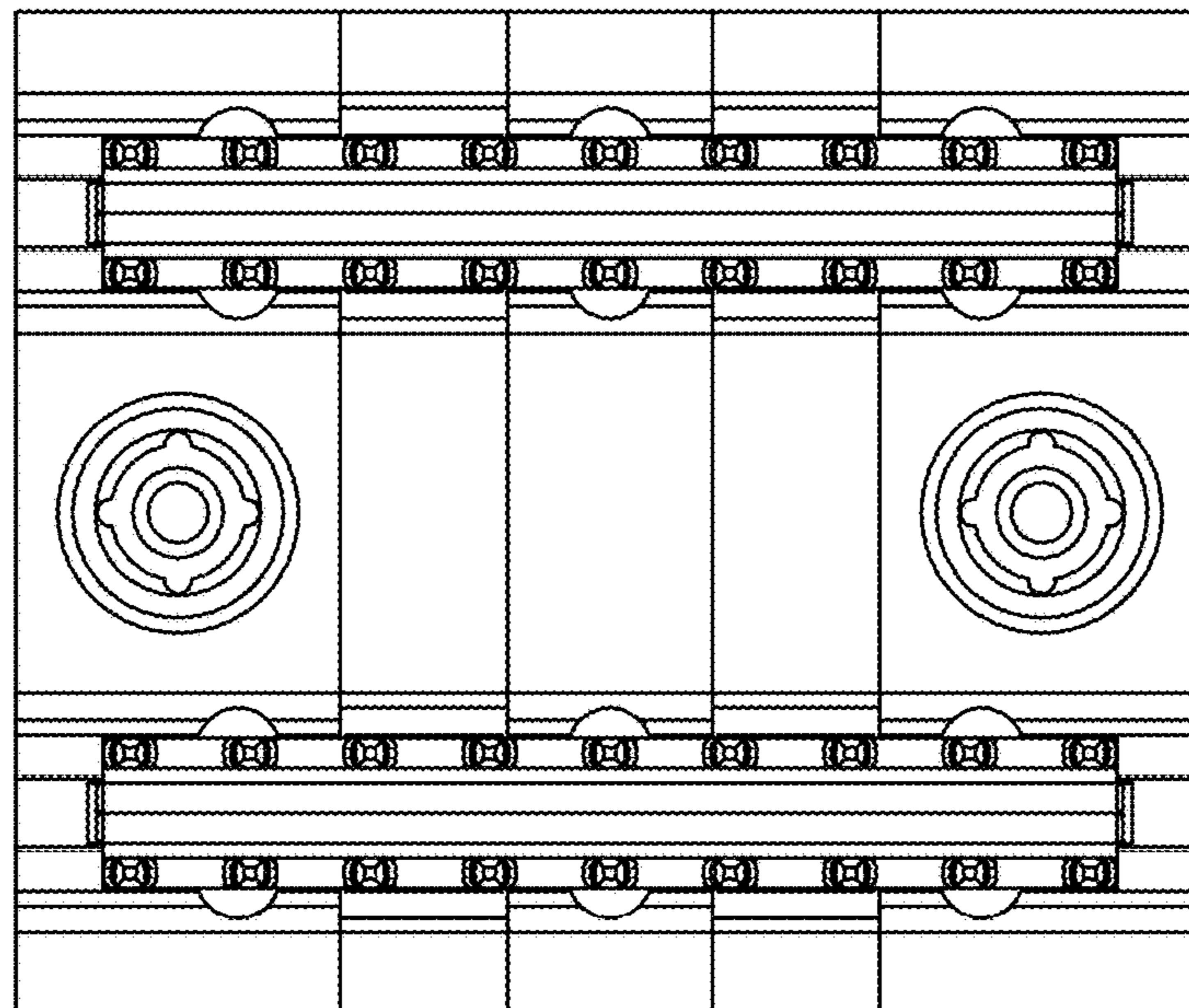


Fig. 24