

US00D854501S

(12) **United States Design Patent** (10) **Patent No.:** **US D854,501 S**
Asano (45) **Date of Patent:** **** Jul. 23, 2019**

(54) **ELECTRICAL CONNECTOR**
(71) Applicant: **HOSIDEN CORPORATION**, Yao-shi, Osaka (JP)
(72) Inventor: **Takao Asano**, Isesaki (JP)
(73) Assignee: **HOSIDEN CORPORATION**, Yao-shi (JP)
(**) Term: **15 Years**
(21) Appl. No.: **29/637,277**
(22) Filed: **Feb. 15, 2018**

(30) **Foreign Application Priority Data**
Aug. 30, 2017 (JP) 2017-018622
(51) **LOC (11) Cl.** **13-03**
(52) **U.S. Cl.**
USPC **D13/133**
(58) **Field of Classification Search**
USPC D13/118, 123, 133, 146, 147, 149, 154, D13/156, 173, 184, 199
CPC ... G02B 6/38; H01R 9/00; H01R 9/05; H01R 4/24; H01R 4/50; H01R 12/00; H01R 13/00; H01R 13/436; H01R 13/44; H01R 13/58; H01R 13/62; H01R 13/627; H01R 13/629; H01R 13/64; H01R 13/648; H01R 13/658; H01R 13/74; H01R 24/00
See application file for complete search history.

(56) **References Cited**
U.S. PATENT DOCUMENTS
D330,365 S * 10/1992 Endo D13/133
6,154,597 A * 11/2000 Roth G02B 6/3825
385/139
D464,318 S * 10/2002 Togashi D13/133
D672,316 S * 12/2012 Miyoshi D13/147
10,116,090 B2 * 10/2018 Iwamoto H01R 13/5025

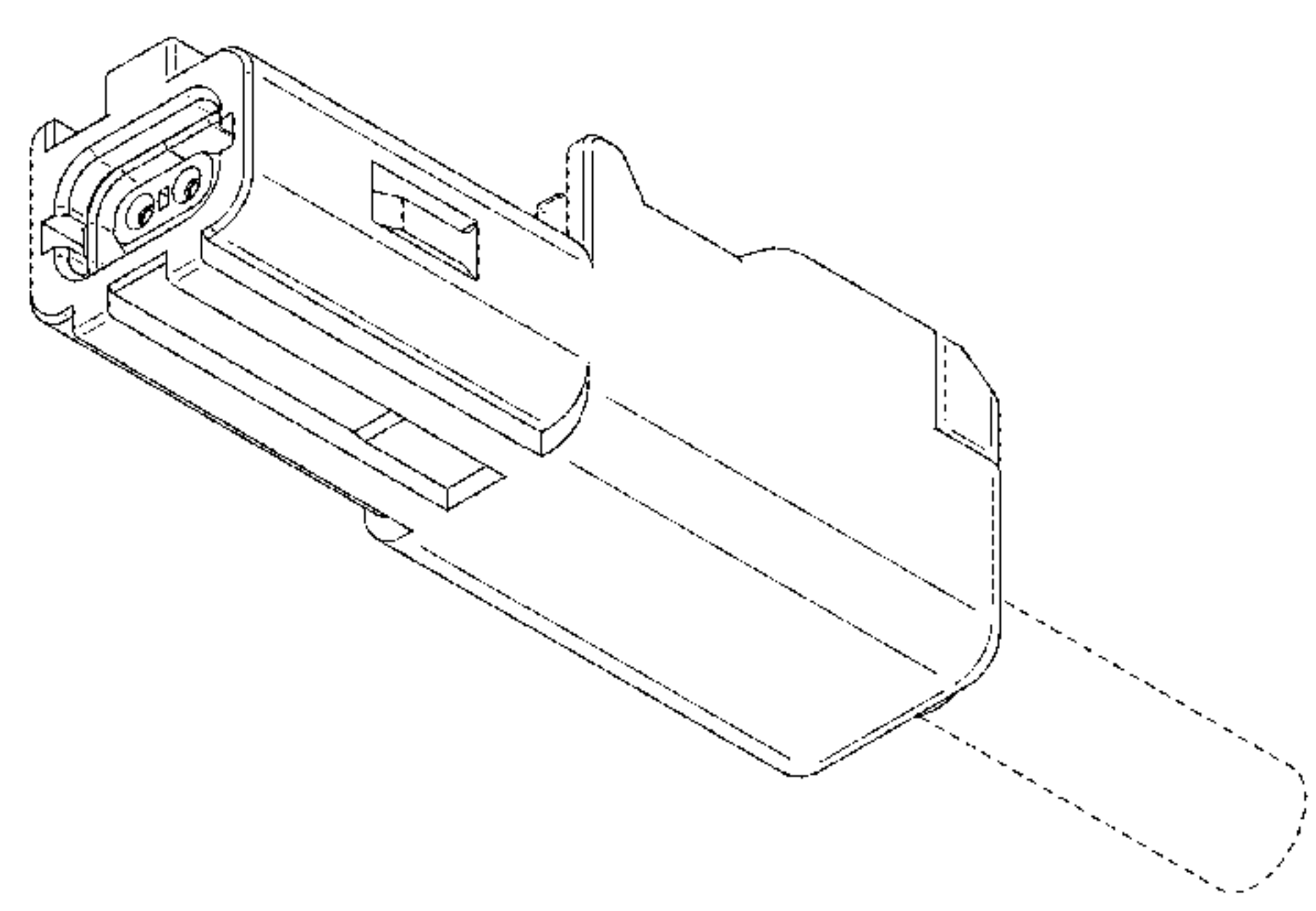
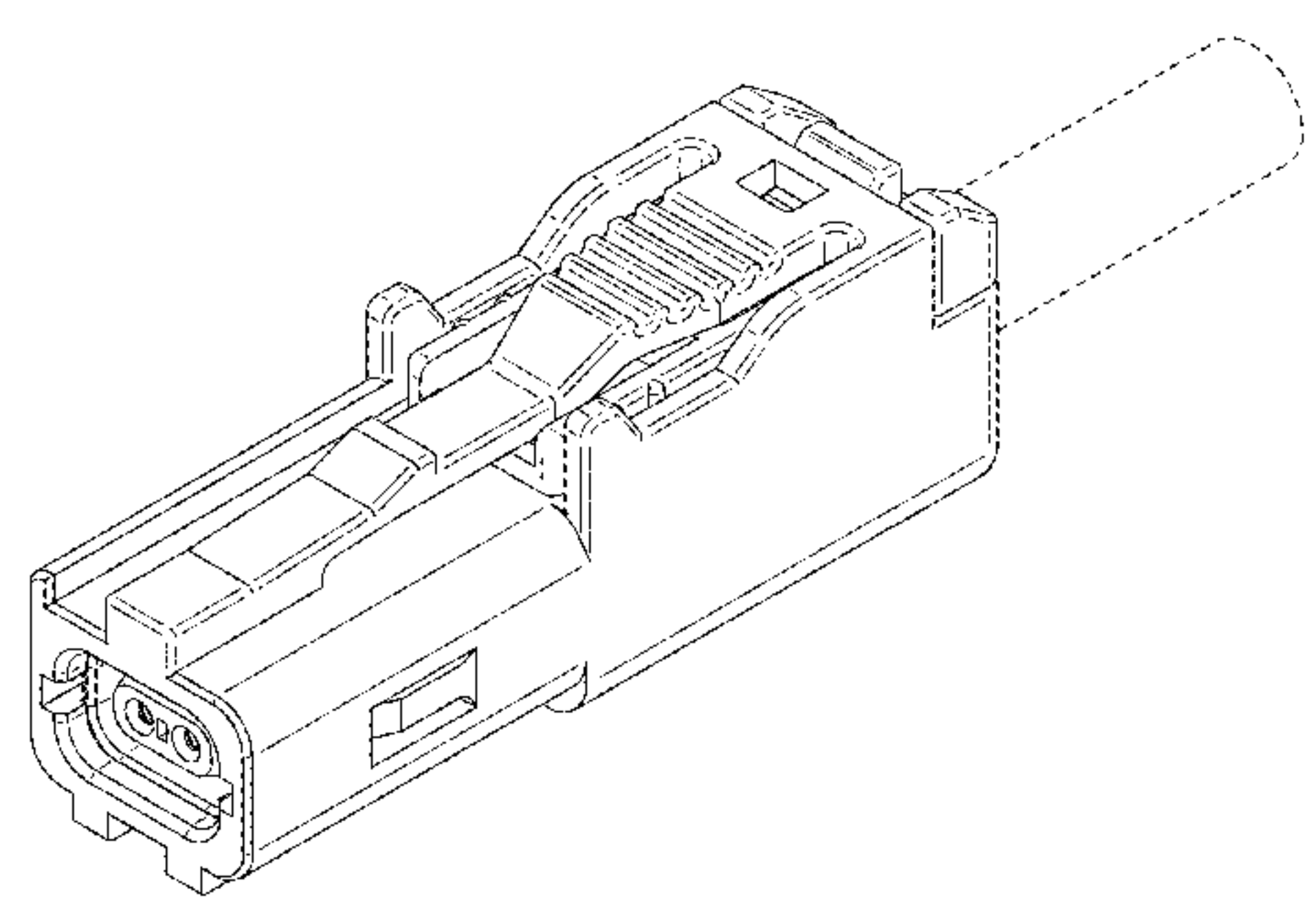
2007/0054535 A1 * 3/2007 Hall H01R 13/6272
439/352
2014/0357130 A1 * 12/2014 Endo H01R 13/516
439/626
2015/0236435 A1 * 8/2015 Hardy H01R 9/05
439/578
2017/0338600 A1 * 11/2017 Tanaka H01R 13/6582
2018/0048108 A1 * 2/2018 Takahashi H01R 43/20
2018/0076566 A1 * 3/2018 Kanda H01R 13/52
2018/0269623 A1 * 9/2018 Okamura H01R 13/5213
2018/0337490 A1 * 11/2018 Choi H01R 13/6273
2018/0375249 A1 * 12/2018 Hara H01R 13/521
2019/0020146 A1 * 1/2019 Oishi H01R 13/5219
2019/0044288 A1 * 2/2019 Bopp H01R 13/518

* cited by examiner
Primary Examiner — Angela J Lee
Assistant Examiner — Shawn T Gingrich
(74) *Attorney, Agent, or Firm* — Kratz, Quintos & Hanson, LLP

(57) **CLAIM**
The ornamental design for an electrical connector, as shown and described.

DESCRIPTION
FIG. 1 is a front elevational view of an electrical connector showing my new design;
FIG. 2 is a back elevational view thereof;
FIG. 3 is a top plan view thereof;
FIG. 4 is a bottom plan view thereof;
FIG. 5 is a right side elevational view thereof;
FIG. 6 is a left side elevational view thereof;
FIG. 7 is a top, front, and right side perspective view thereof; and,
FIG. 8 is a bottom, front, and right side perspective view thereof.
The broken lines are included for the purpose of illustrating environmental structures and form no part of the claimed design.

1 Claim, 8 Drawing Sheets



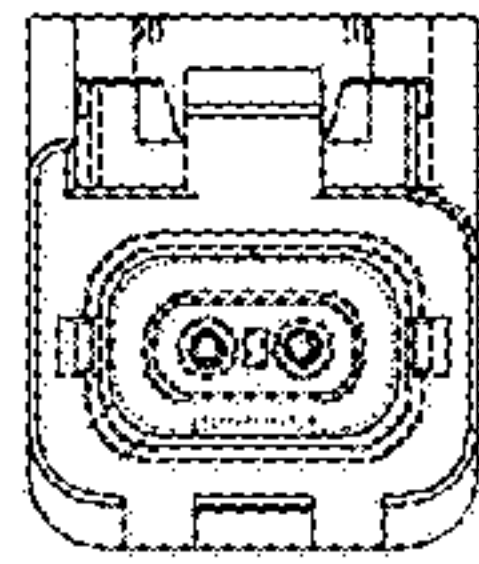


Fig. 1

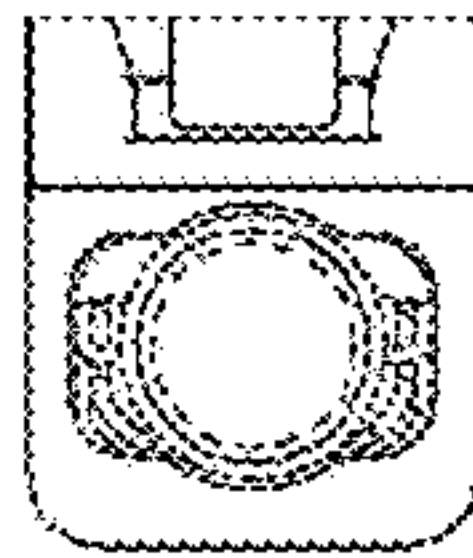


Fig.2

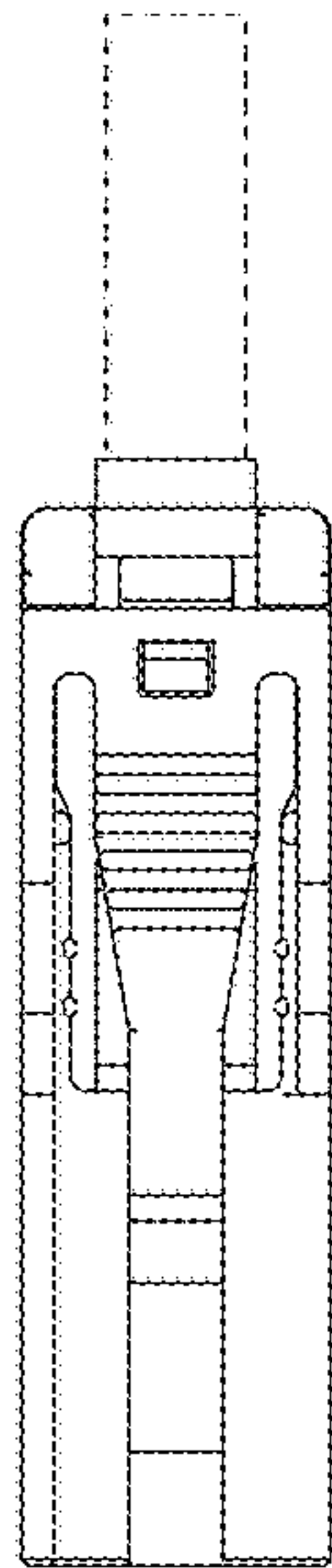


Fig.3

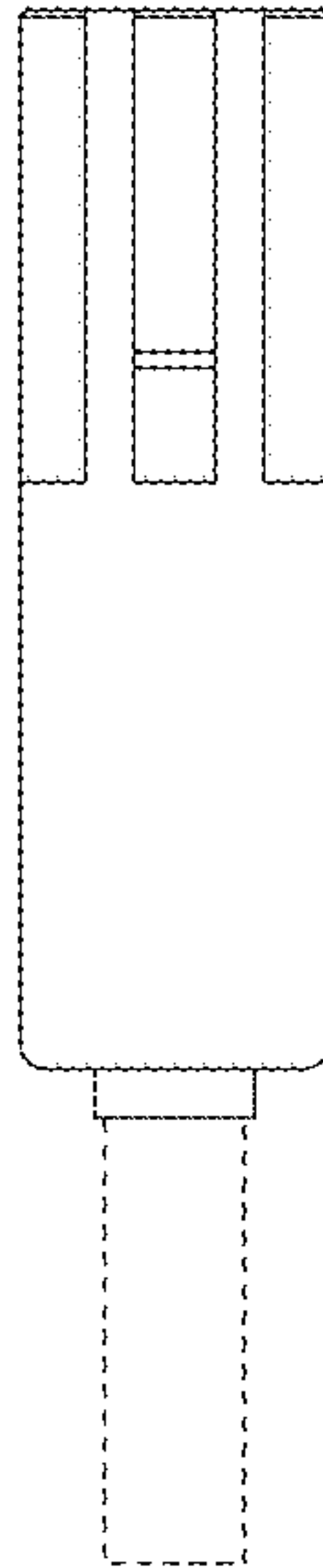


Fig.4

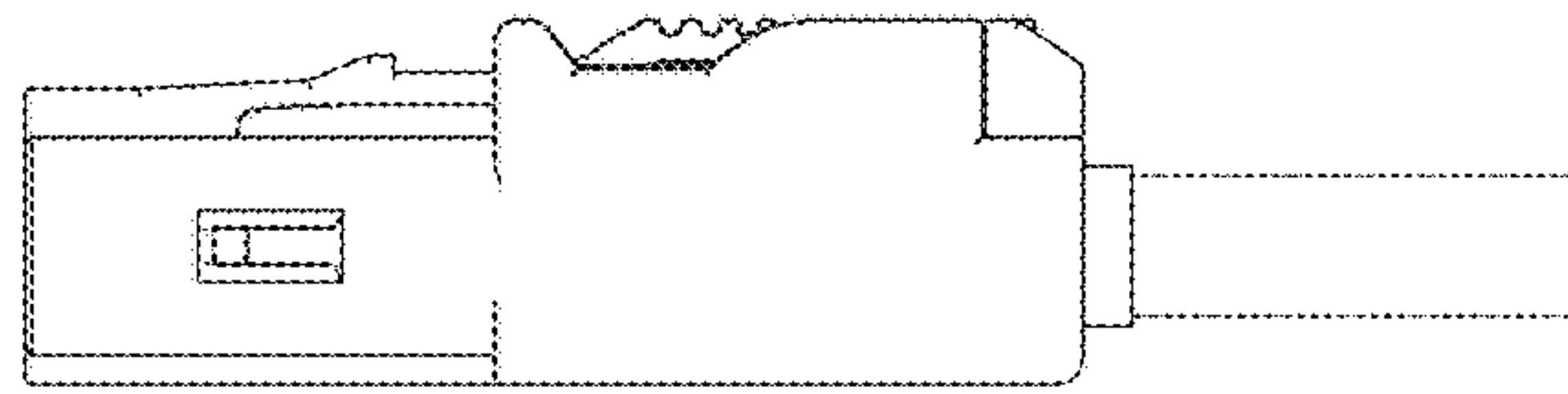


Fig.5

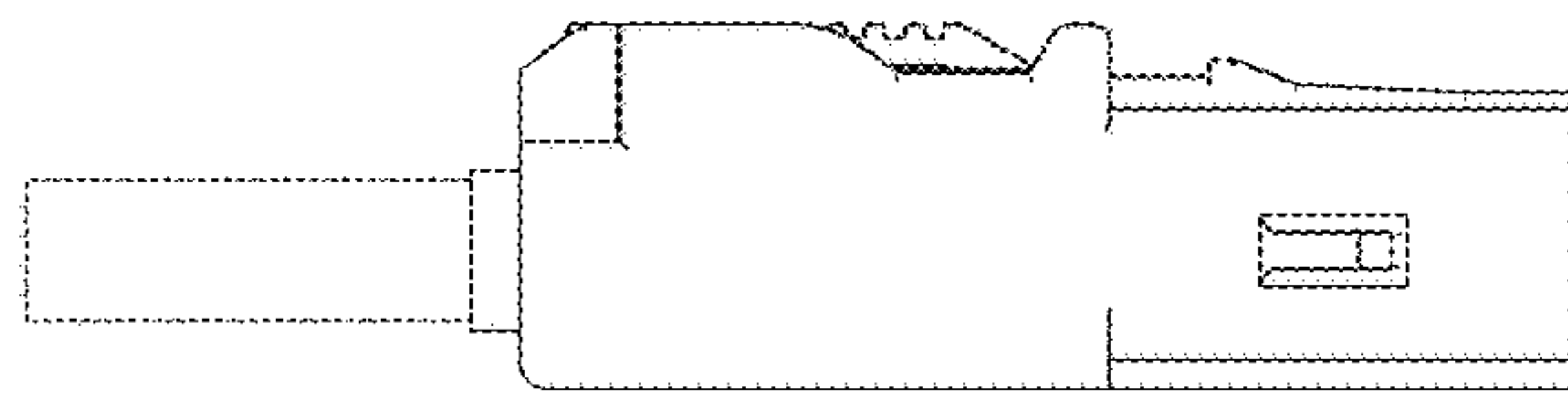


Fig.6

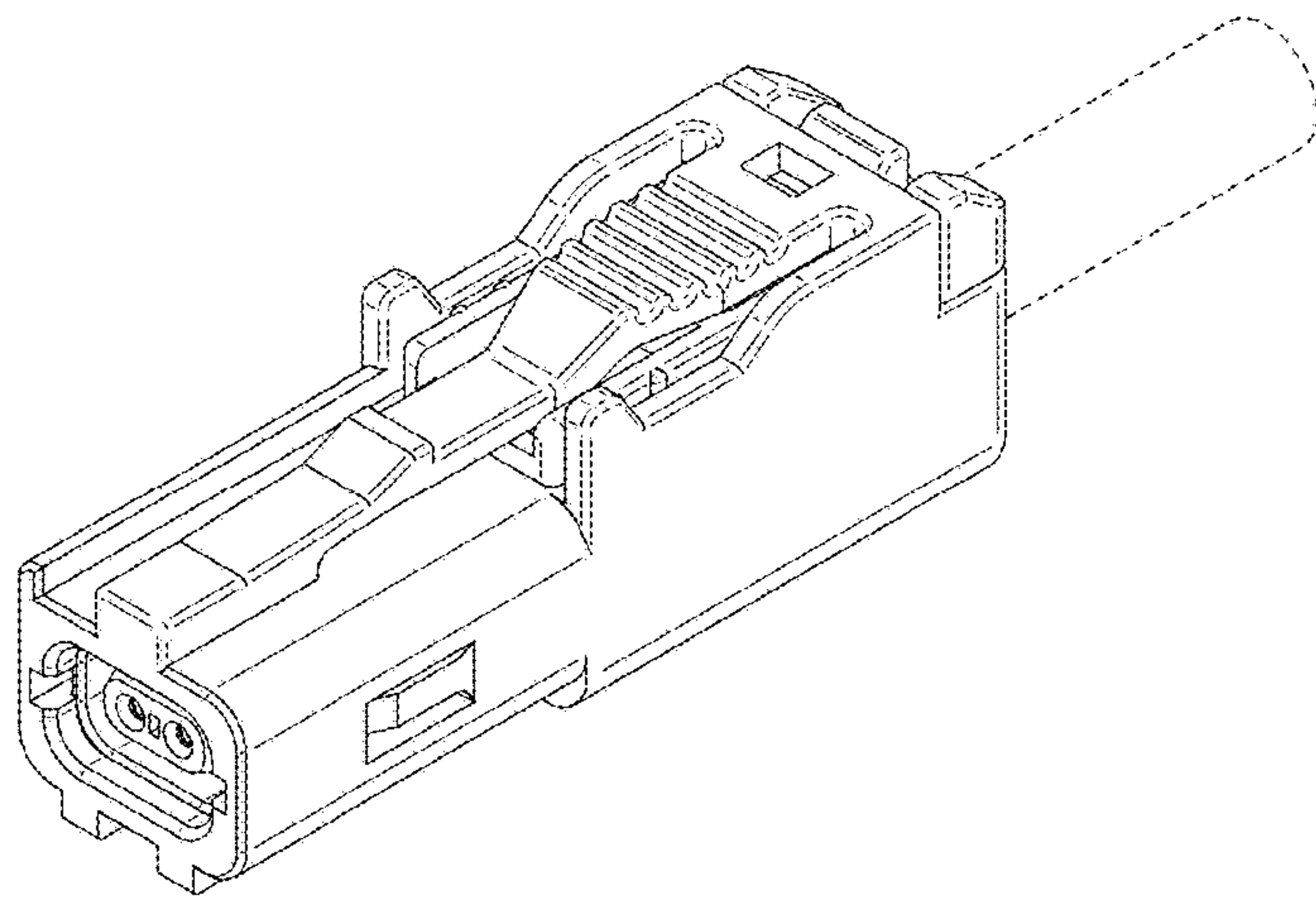


Fig.7

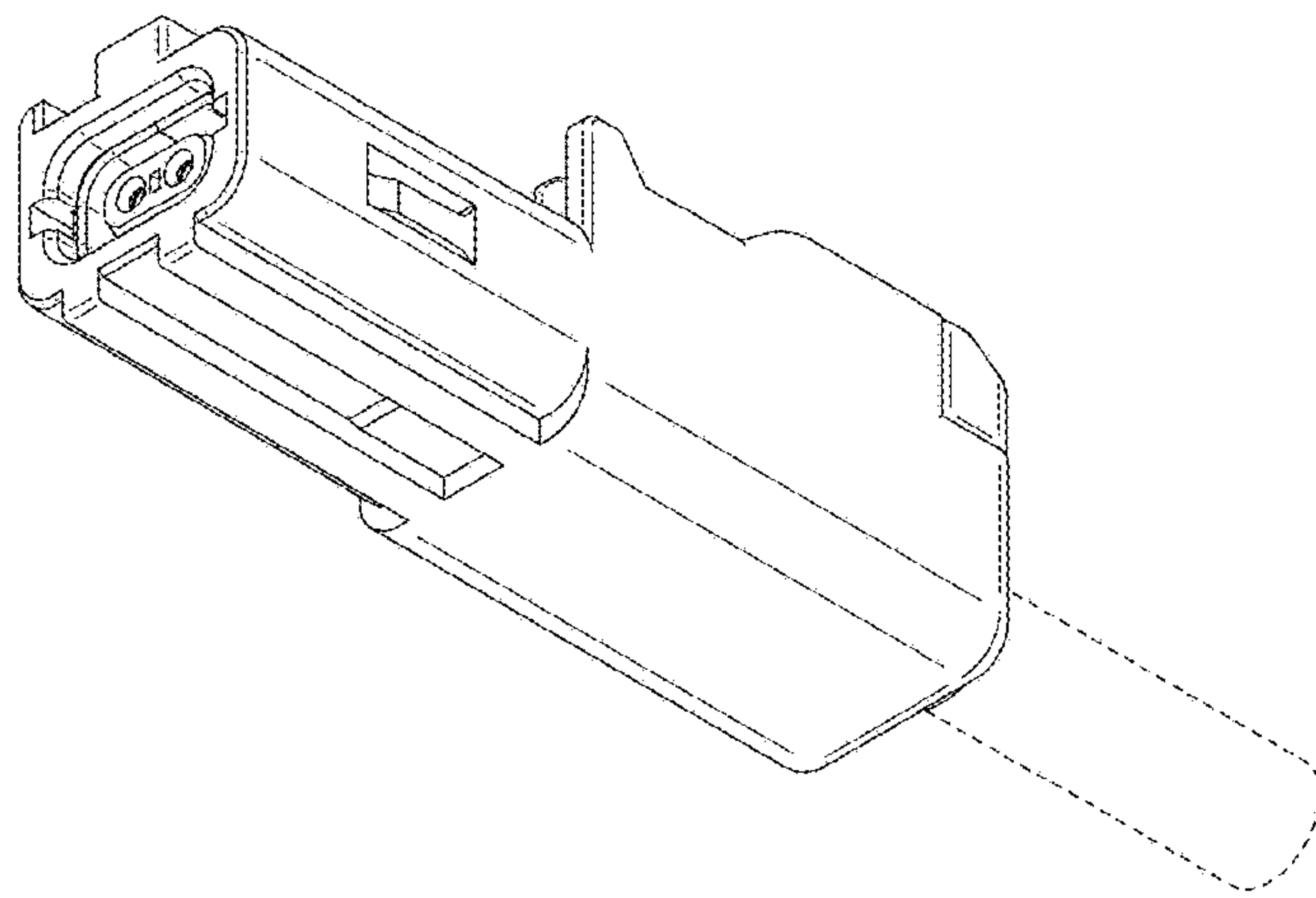


Fig.8