



US00D854500S

(12) **United States Design Patent** (10) **Patent No.:** **US D854,500 S**
Asano (45) **Date of Patent:** **** Jul. 23, 2019**

- (54) **ELECTRICAL CONNECTOR**
- (71) Applicant: **HOSIDEN CORPORATION**, Yao-shi, Osaka (JP)
- (72) Inventor: **Takao Asano**, Isesaki (JP)
- (73) Assignee: **HOSIDEN CORPORATION**, Yao-shi (JP)
- (**) Term: **15 Years**
- (21) Appl. No.: **29/637,274**
- (22) Filed: **Feb. 15, 2018**
- (30) **Foreign Application Priority Data**

Aug. 30, 2017 (JP) 2017-018621

- (51) **LOC (11) Cl.** **13-03**
- (52) **U.S. Cl.**
USPC **D13/133**

- (58) **Field of Classification Search**
USPC D13/118, 123, 133, 146, 147, 149, 154, D13/156, 173, 184, 199
CPC ... G02B 6/38; H01R 9/00; H01R 9/05; H01R 4/24; H01R 4/50; H01R 12/00; H01R 13/00; H01R 13/436; H01R 13/44; H01R 13/58; H01R 13/62; H01R 13/627; H01R 13/629; H01R 13/64; H01R 13/648; H01R 13/658; H01R 13/74; H01R 24/00
See application file for complete search history.

(56) **References Cited**

U.S. PATENT DOCUMENTS

- D316,081 S * 4/1991 Tsubokura D13/147
- D327,870 S * 7/1992 Ohkura D13/133
- 5,320,556 A * 6/1994 Otaka H01R 13/641
439/372
- D384,035 S * 9/1997 Kuprewicz D13/133
- D394,426 S * 5/1998 Akins D13/133

- 6,154,597 A * 11/2000 Roth G02B 6/3825
385/139
- D464,318 S * 10/2002 Togashi D13/133
- D525,945 S * 8/2006 Hamada D13/147
- D701,492 S * 3/2014 Miyoshi D13/147
- D801,934 S * 11/2017 Sasaki D13/133
- 10,116,090 B2 * 10/2018 Iwamoto H01R 13/5025
- 2015/0236435 A1 * 8/2015 Hardy H01R 9/05
439/578
- 2017/0338600 A1 * 11/2017 Tanaka H01R 13/6582
- 2018/0048108 A1 * 2/2018 Takahashi H01R 43/20
- 2018/0337490 A1 * 11/2018 Choi H01R 13/6273
- 2018/0375249 A1 * 12/2018 Hara H01R 13/521

(Continued)

Primary Examiner — Angela J Lee

Assistant Examiner — Shawn T Gingrich

(74) *Attorney, Agent, or Firm* — Kratz, Quintos & Hanson, LLP

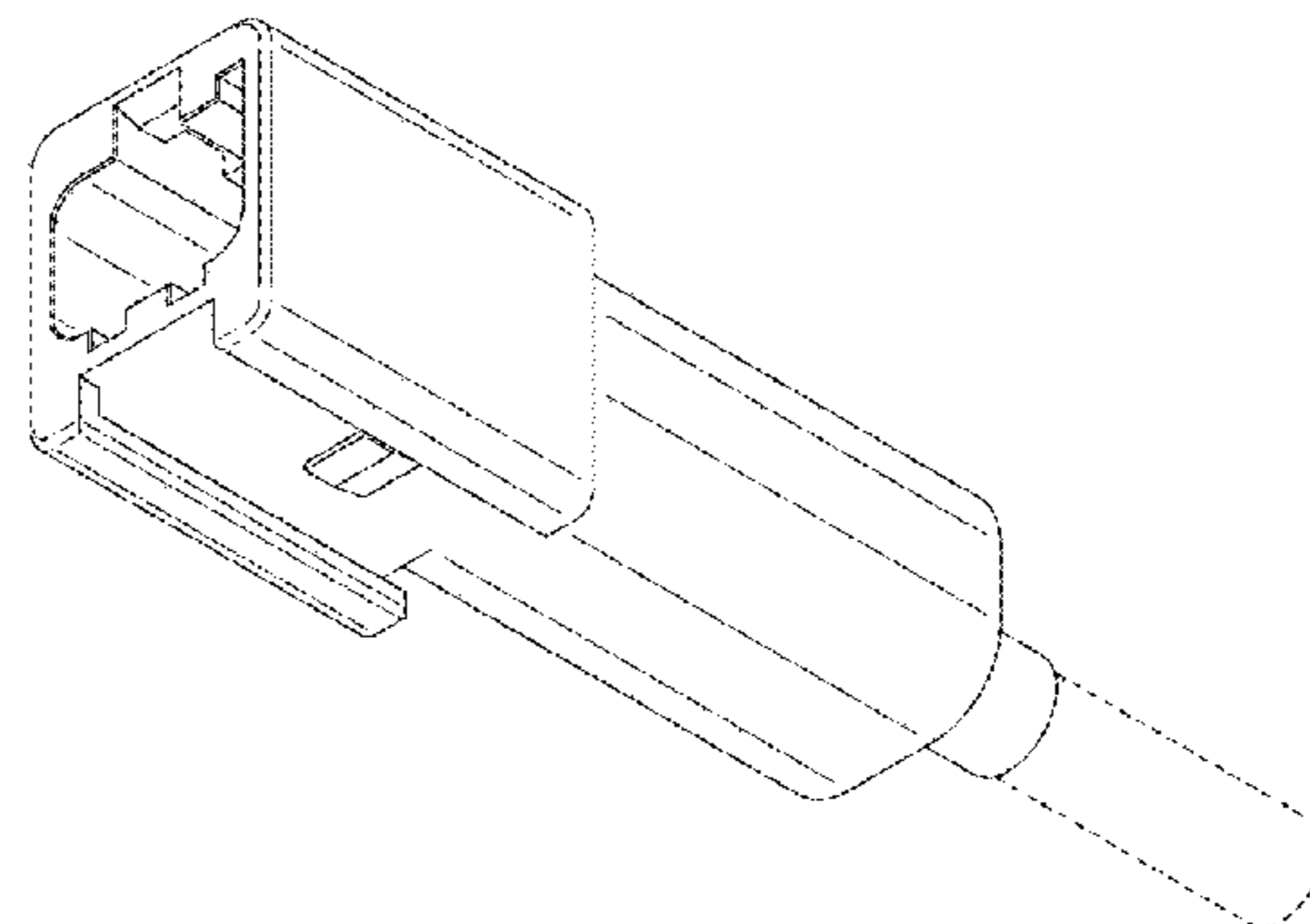
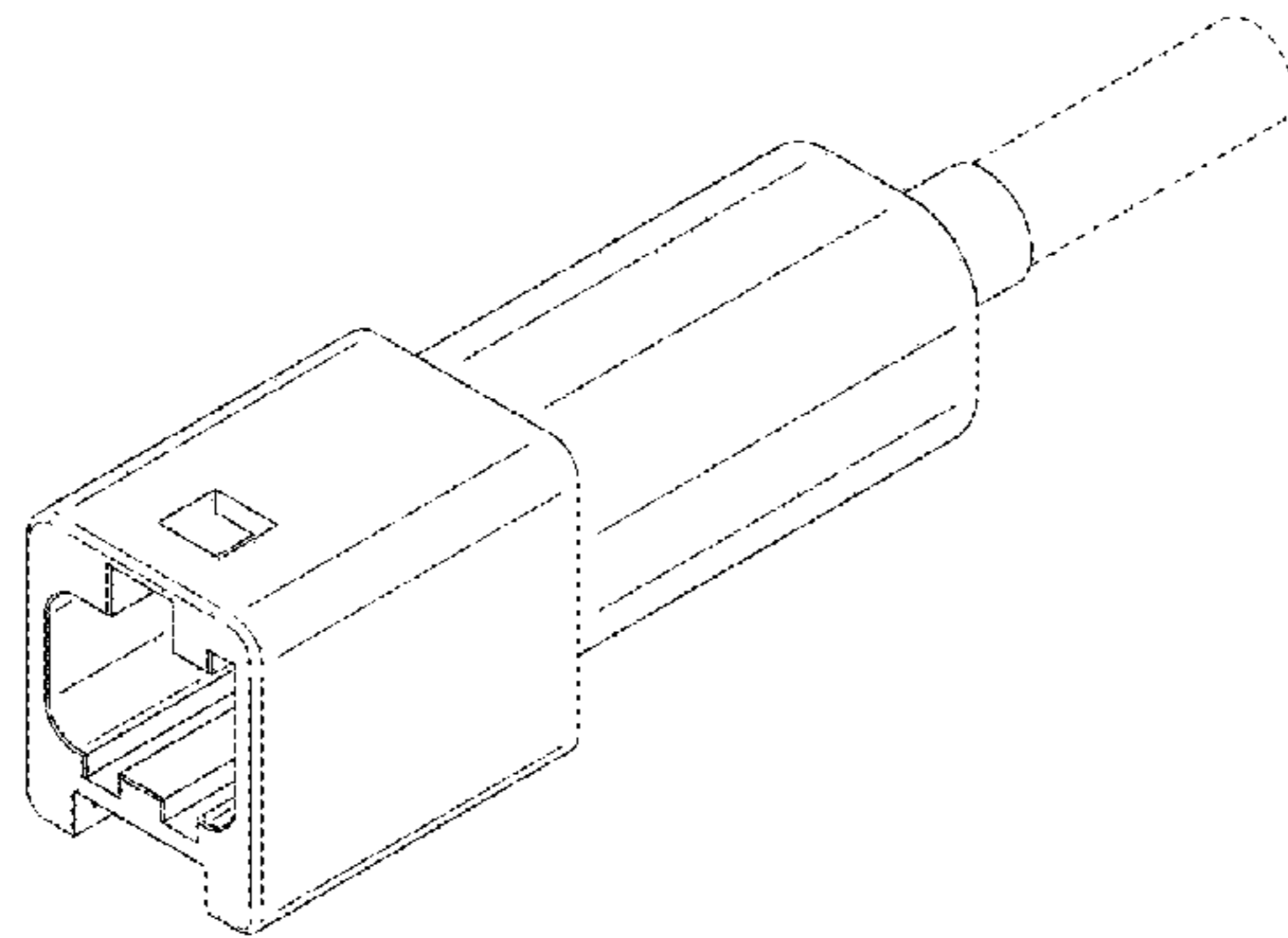
(57) **CLAIM**

The ornamental design for an electrical connector, as shown and described.

DESCRIPTION

FIG. 1 is a front elevational view of an electrical connector showing my new design;
 FIG. 2 is a back elevational view thereof;
 FIG. 3 is a top plan view thereof;
 FIG. 4 is a bottom plan view thereof;
 FIG. 5 is a right side elevational view thereof;
 FIG. 6 is a left side elevational view thereof;
 FIG. 7 is a top, front, and right side perspective view thereof;
 FIG. 8 is a bottom, front, and right side perspective view thereof; and,
 FIG. 9 is an enlarged partial cross-sectional view thereof, taken along line 9-9 in FIG. 1.
 The broken lines are included for the purpose of illustrating environmental structures and form no part of the claimed design.

1 Claim, 9 Drawing Sheets



(56)

References Cited

U.S. PATENT DOCUMENTS

2019/0020146 A1* 1/2019 Oishi H01R 13/5219
2019/0044288 A1* 2/2019 Bopp H01R 13/518

* cited by examiner

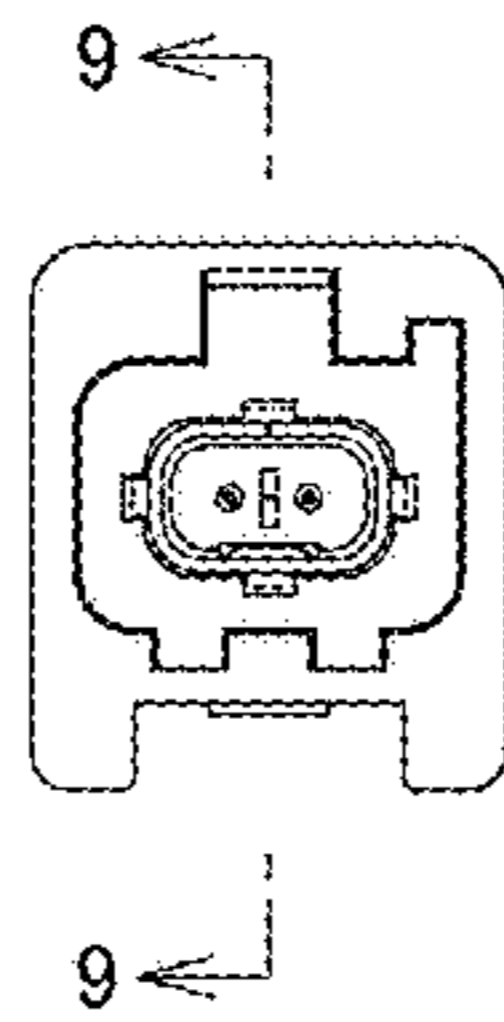


Fig.1

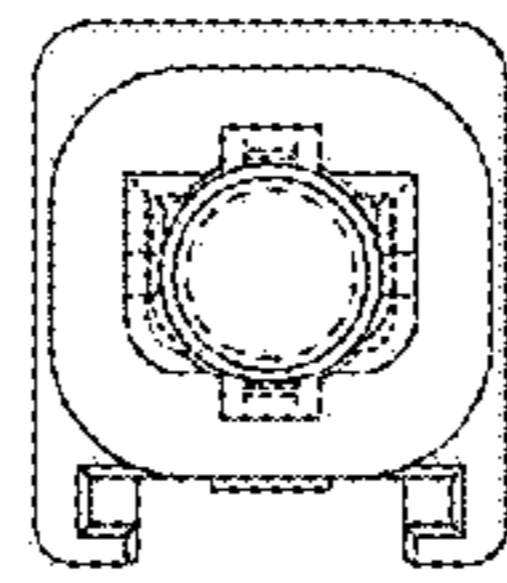


Fig.2

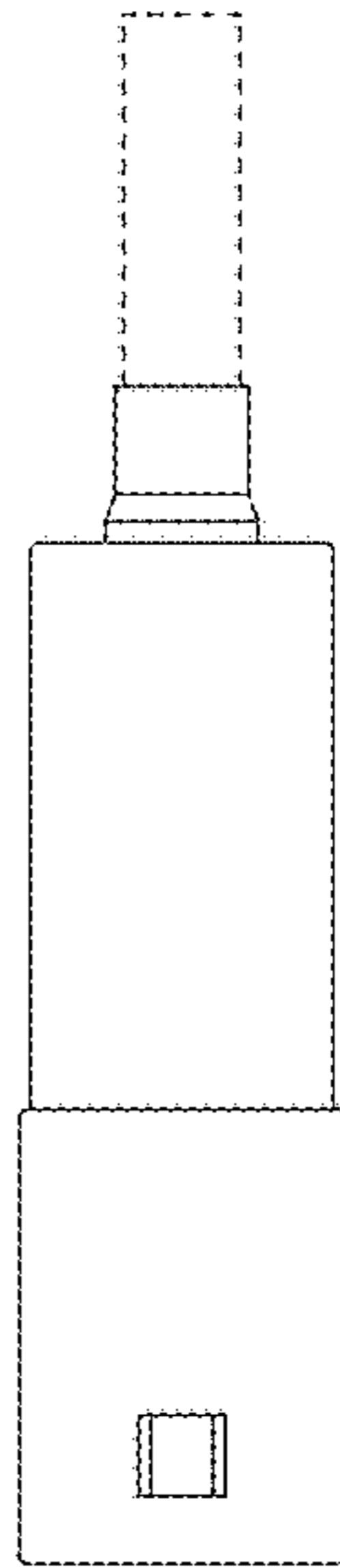


Fig.3

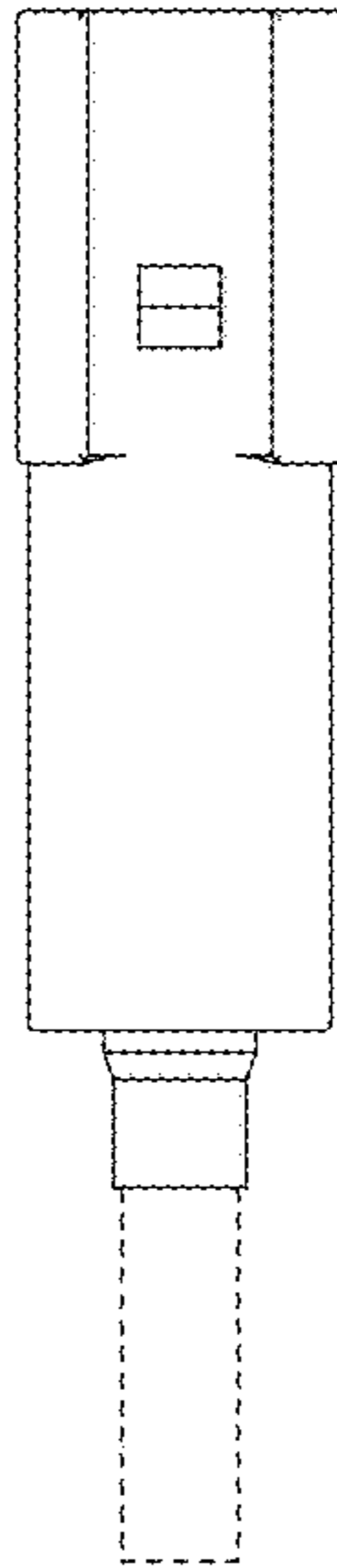


Fig.4

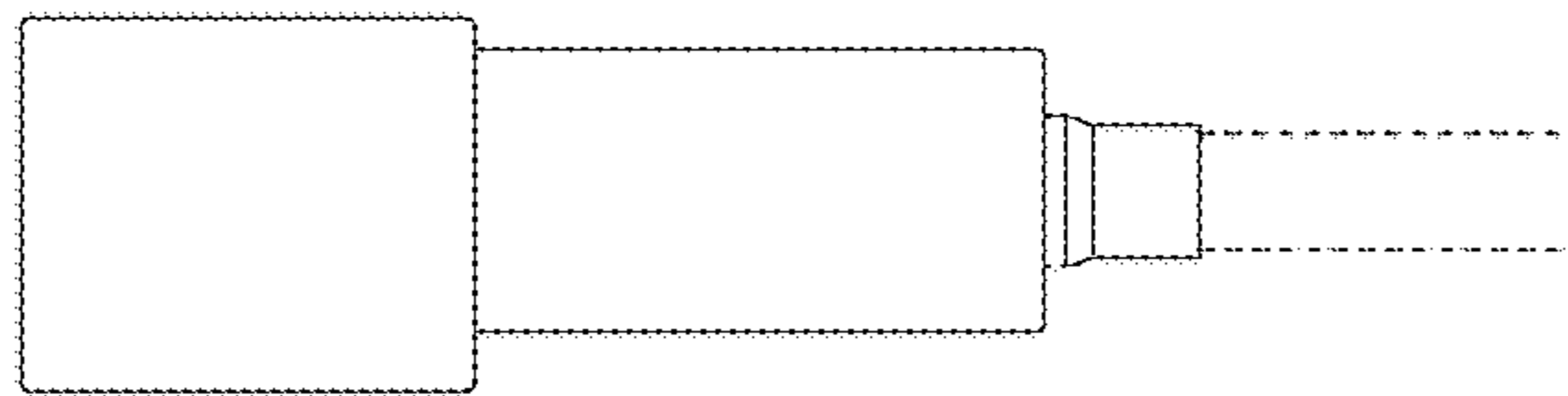


Fig.5

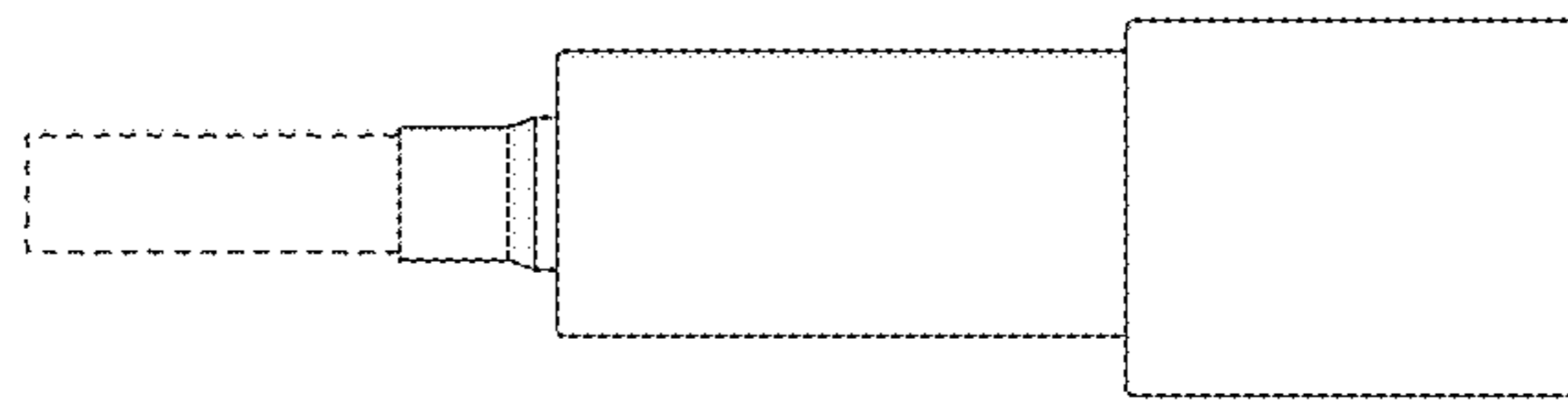


Fig.6

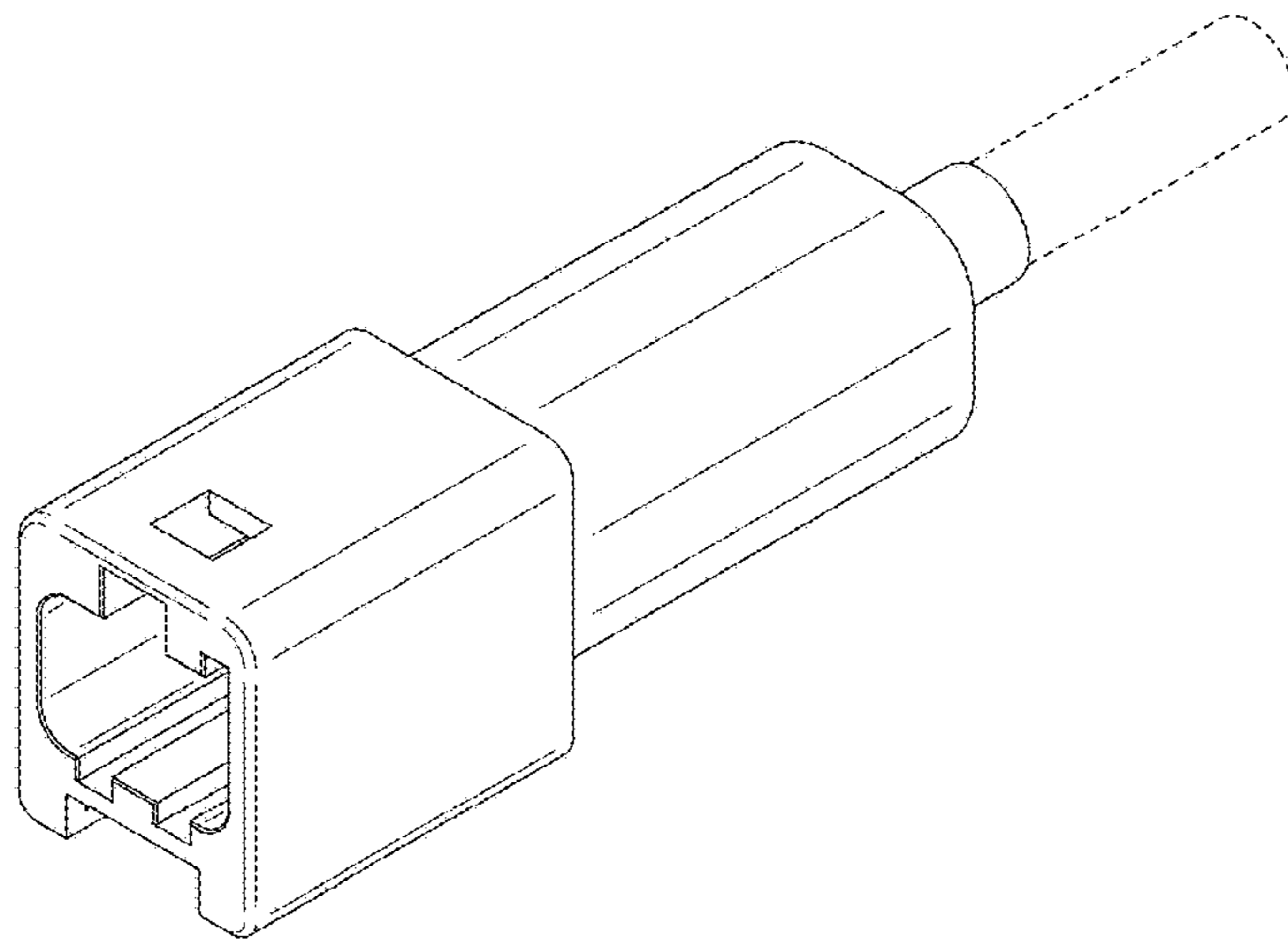


Fig.7

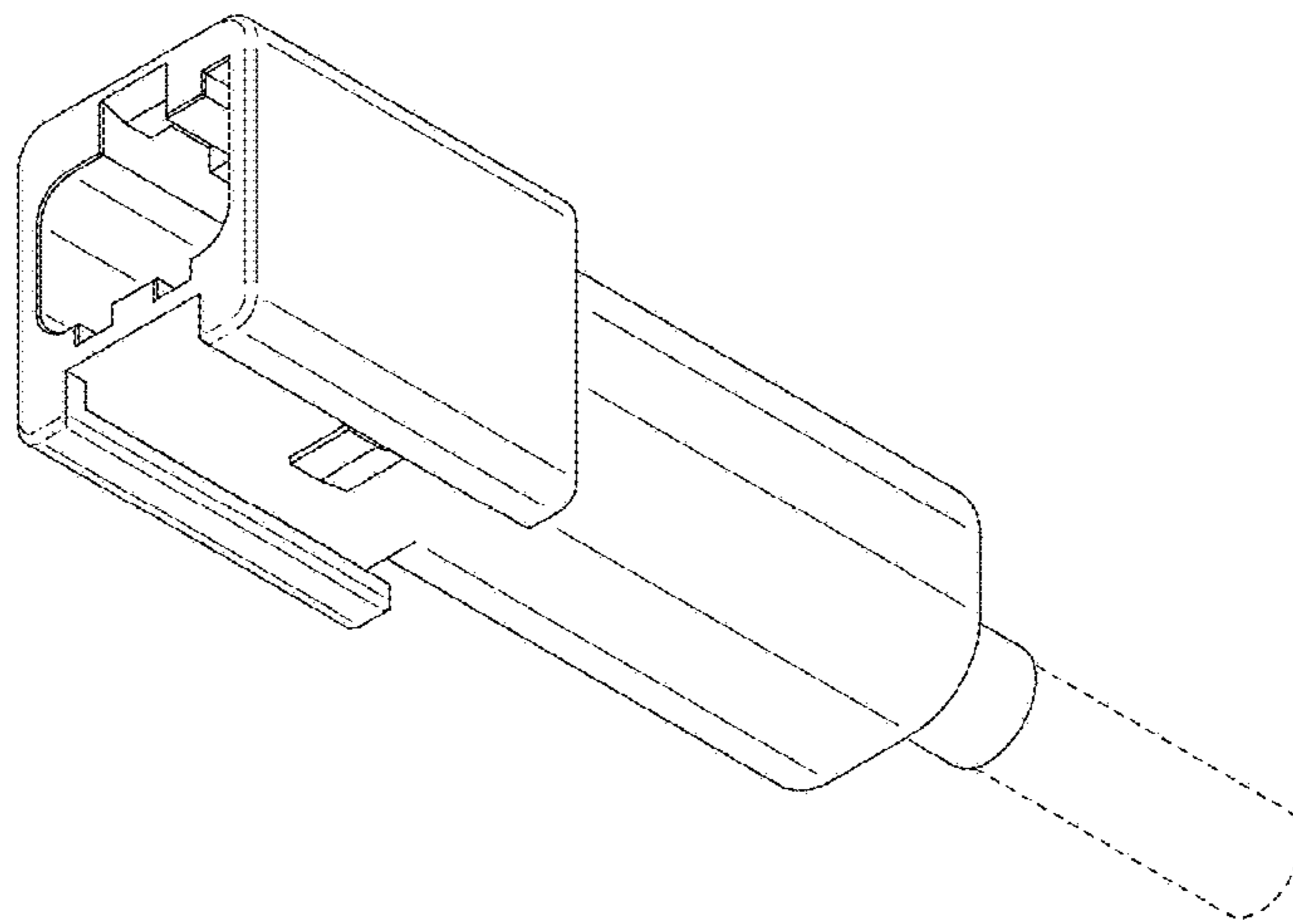


Fig.8

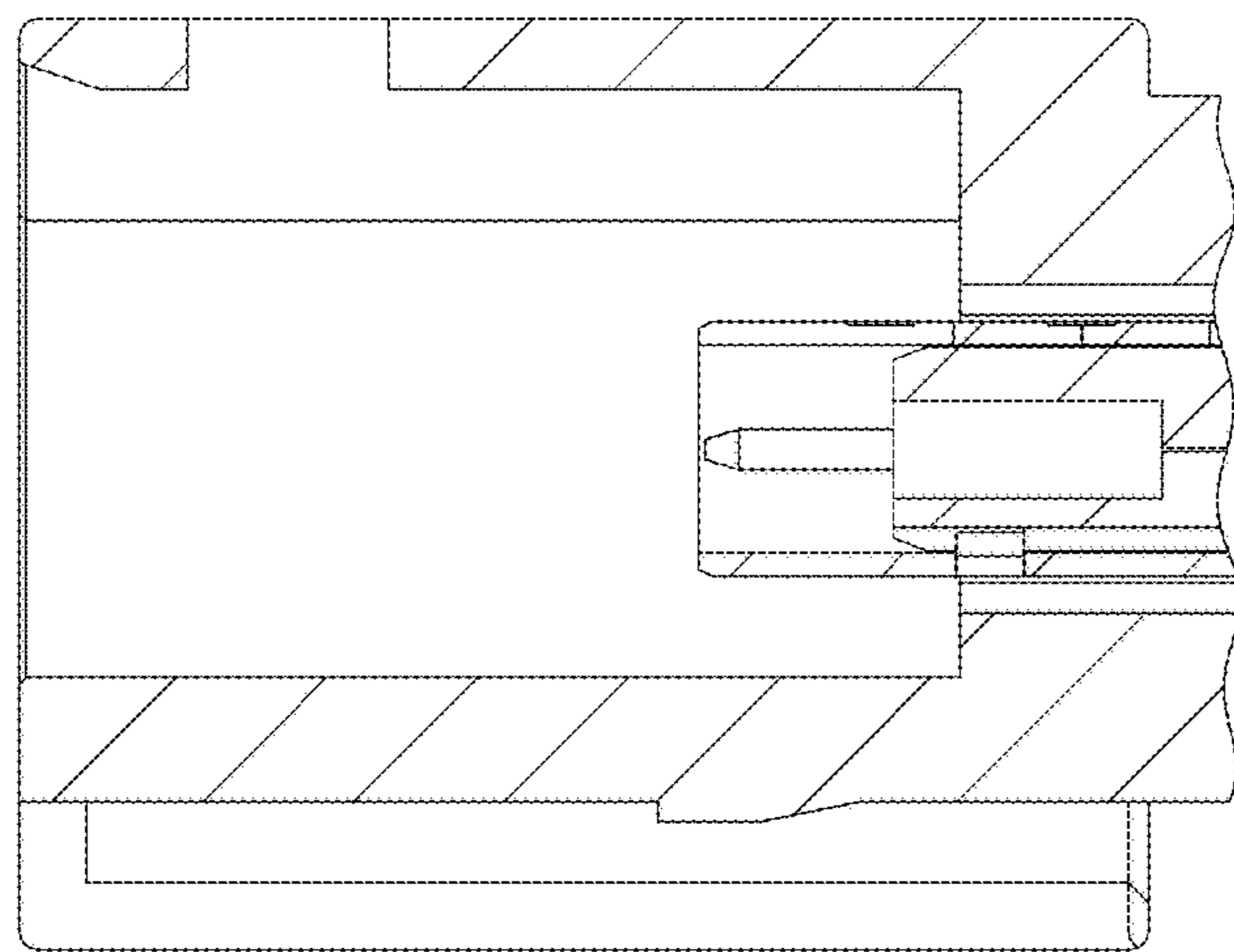


Fig.9