



US00D854499S

(12) **United States Design Patent**
Lilja

(10) **Patent No.:** **US D854,499 S**

(45) **Date of Patent:** **** Jul. 23, 2019**

(54) **EQUIPMENT FOR CONTROL OF ELECTRIC POWER**

(71) Applicant: **ABB Schweiz AG**, Baden (CH)

(72) Inventor: **Sakari Lilja**, Masala (FI)

(73) Assignee: **ABB Schweiz AG**, Baden (CH)

(**) Term: **15 Years**

(21) Appl. No.: **29/629,207**

(22) Filed: **Dec. 12, 2017**

(51) **LOC (11) Cl.** **13-03**

(52) **U.S. Cl.**
USPC **D13/123; D13/110**

(58) **Field of Classification Search**
USPC D13/101, 110, 123, 162, 184, 199
CPC H02M 7/00; H02M 7/003; H02M 7/02;
H05K 5/00; H05K 5/0017; H05K 5/0021;
H05K 5/02; H05K 5/03; H05K 5/04;
H05K 7/1427; H05K 7/1432; H05K 7/20;
H05K 7/20136; H05K 7/20209; H05K
7/2048; H05K 13/0023; G06F 1/20
See application file for complete search history.

(56) **References Cited**

U.S. PATENT DOCUMENTS

D541,743 S * 5/2007 Virolainen D13/110
D691,558 S * 10/2013 Helosvuori D13/123

D771,565 S * 11/2016 Saarivirta D13/110
D771,566 S * 11/2016 Saarivirta D13/110
D772,161 S * 11/2016 Saarivirta D13/110
D772,162 S * 11/2016 Saarivirta D13/110
D821,324 S * 6/2018 Viman D13/123

* cited by examiner

Primary Examiner — Selina Sikder

(74) *Attorney, Agent, or Firm* — J. Bruce Schelkopf; Taft Stettinius & Hollister LLP

(57) **CLAIM**

The ornamental design for a equipment for control of electric power, as shown and described.

DESCRIPTION

FIG. 1 is a perspective view thereof.
FIG. 2 is a front elevational view thereof.
FIG. 3 is a rear elevational view thereof.
FIG. 4 is a top elevational view thereof.
FIG. 5 is a bottom elevational view thereof.
FIG. 6 is a left side elevational view thereof; and,
FIG. 7 is a right side elevational view thereof.
The broken line portion of the figure drawings is included to show portions of the equipment that form no part of the claimed design.

1 Claim, 7 Drawing Sheets

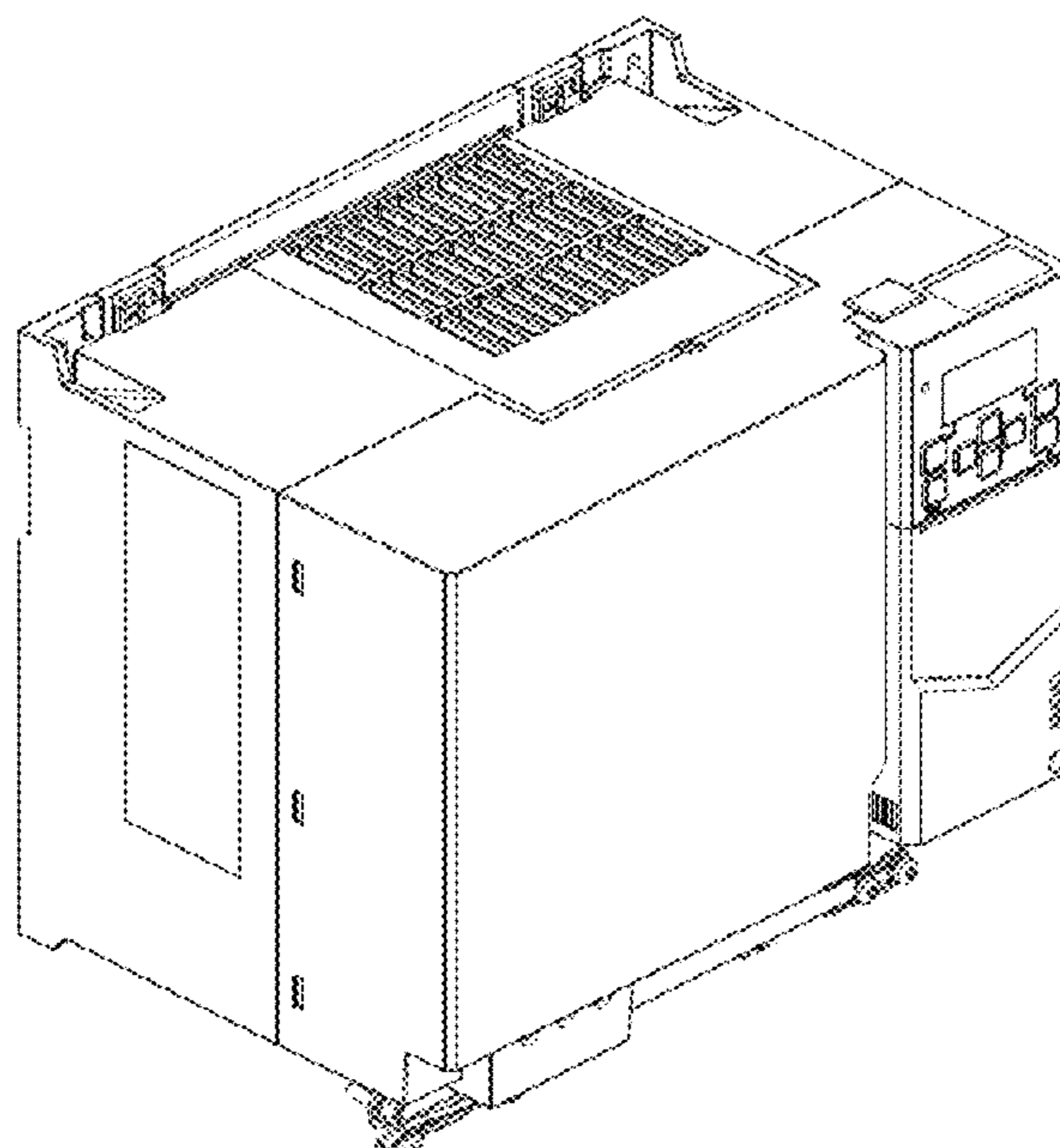


Figure 1

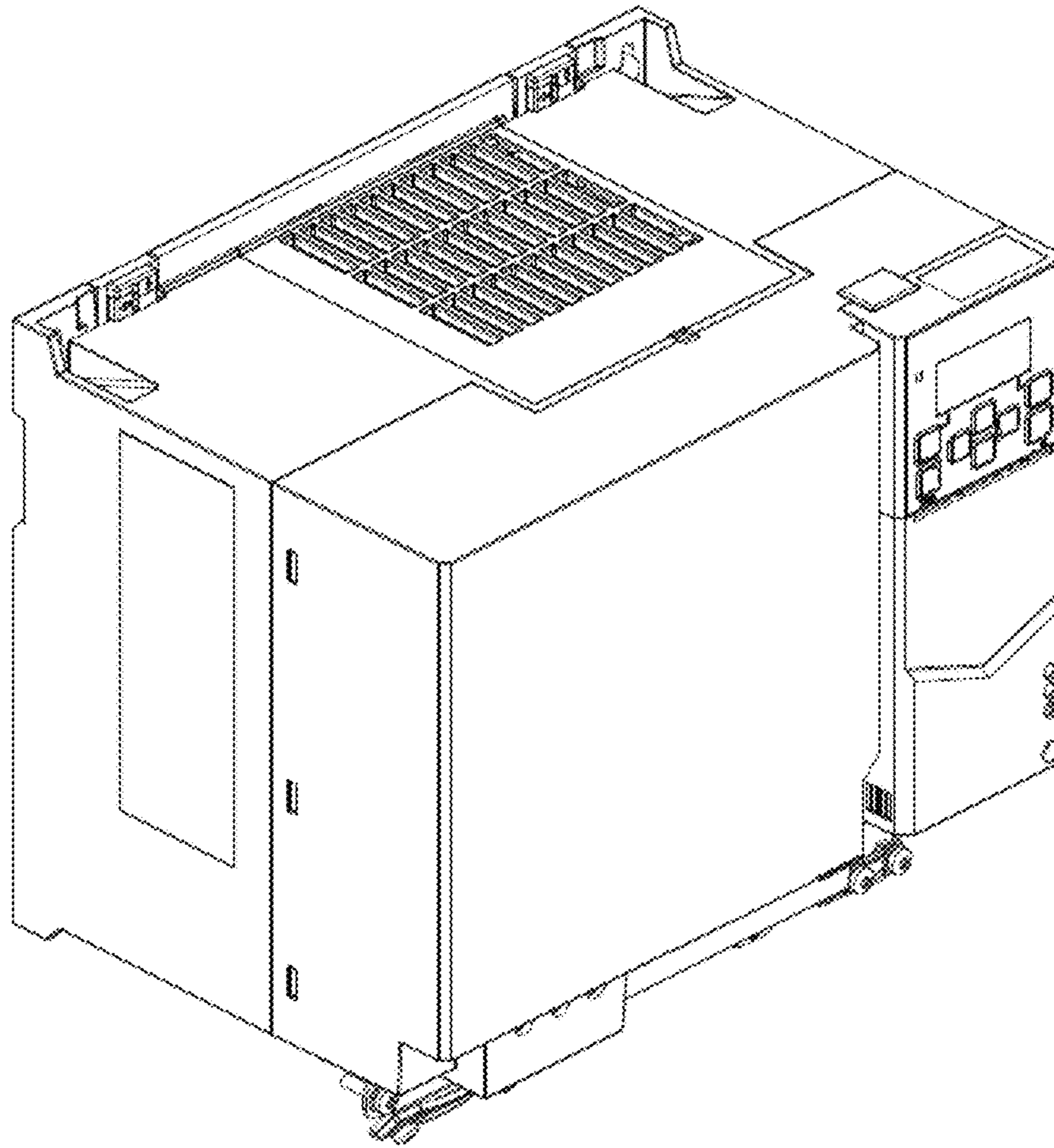


Figure 2

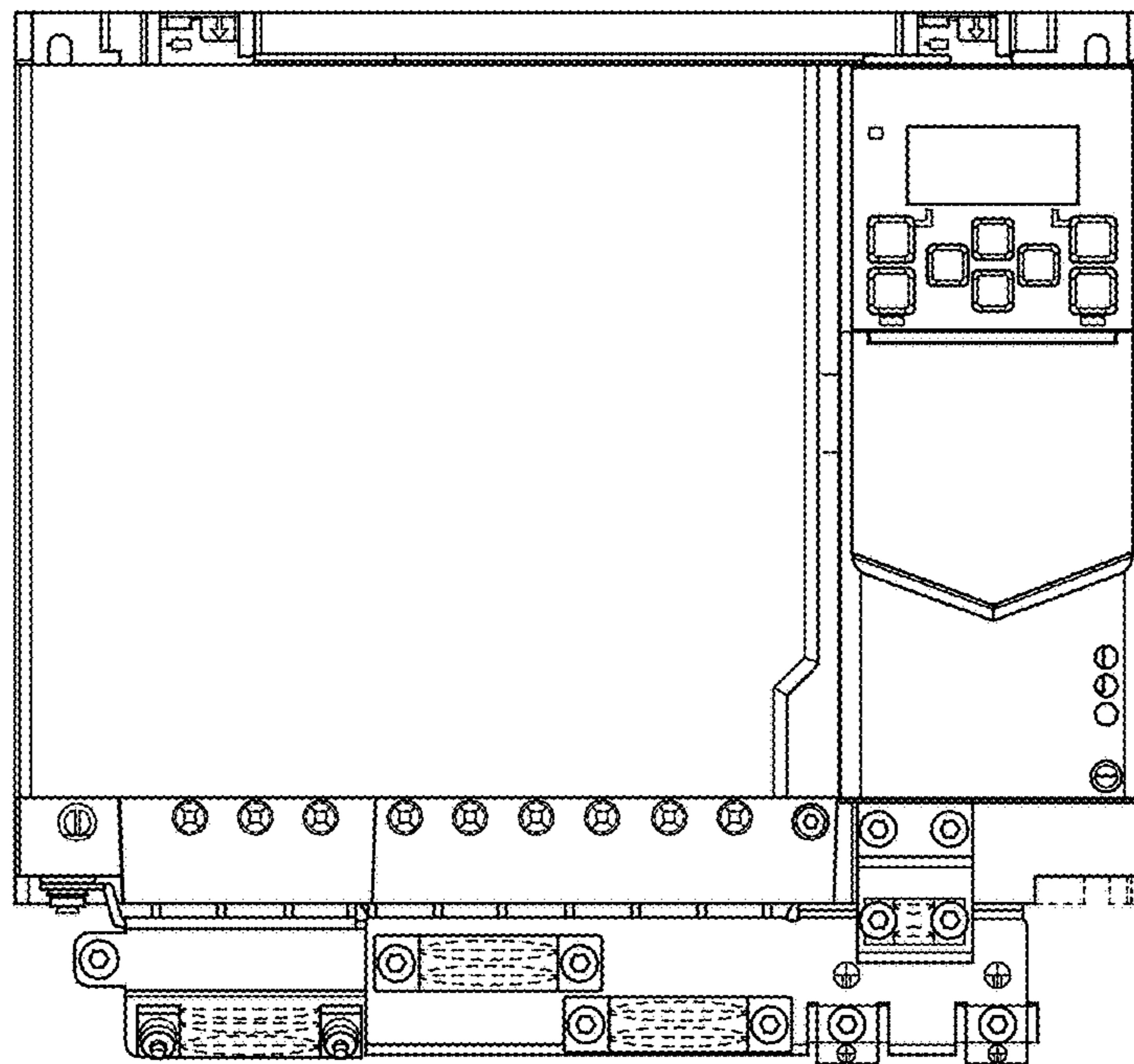


Figure 3

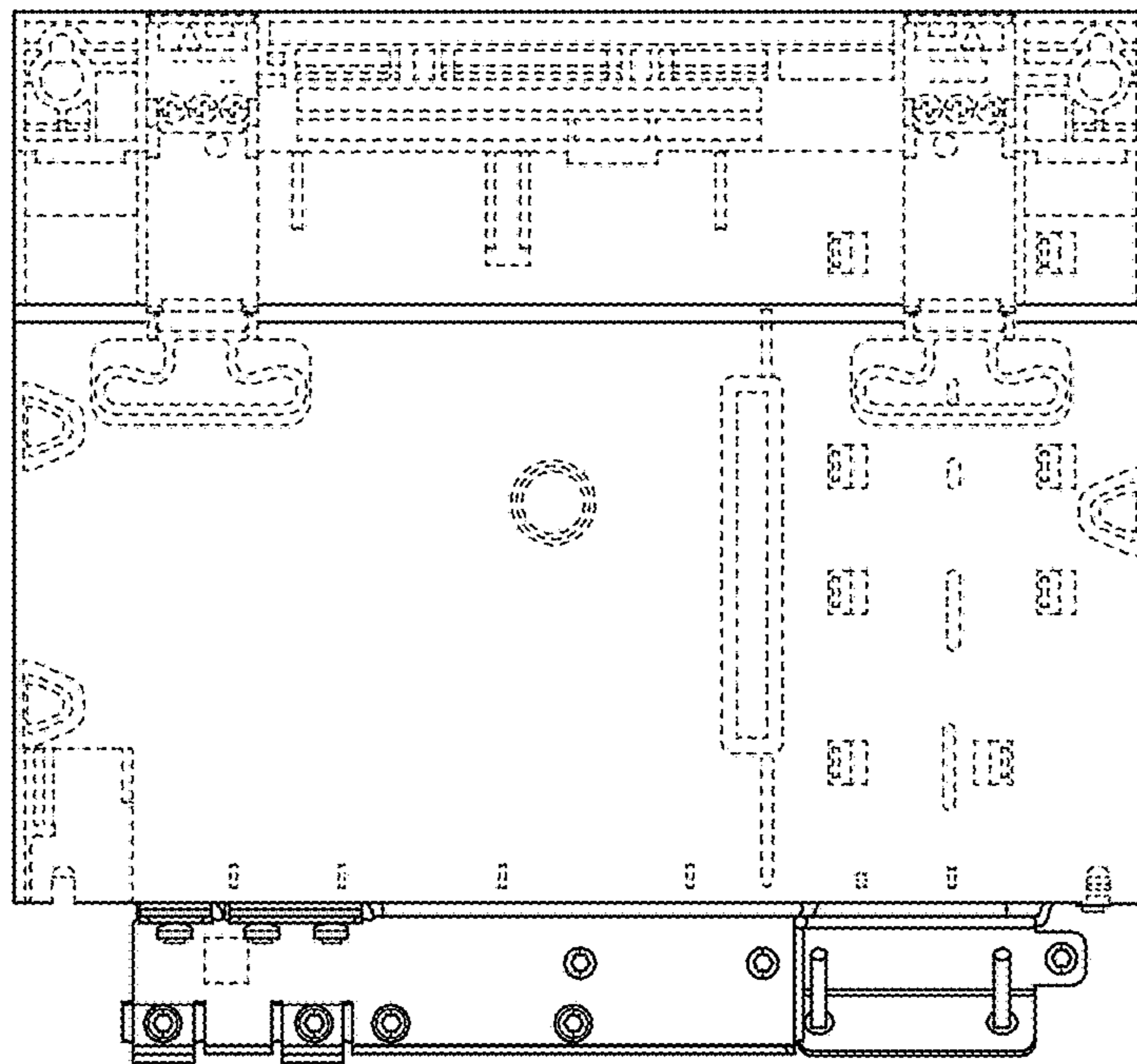


Figure 4

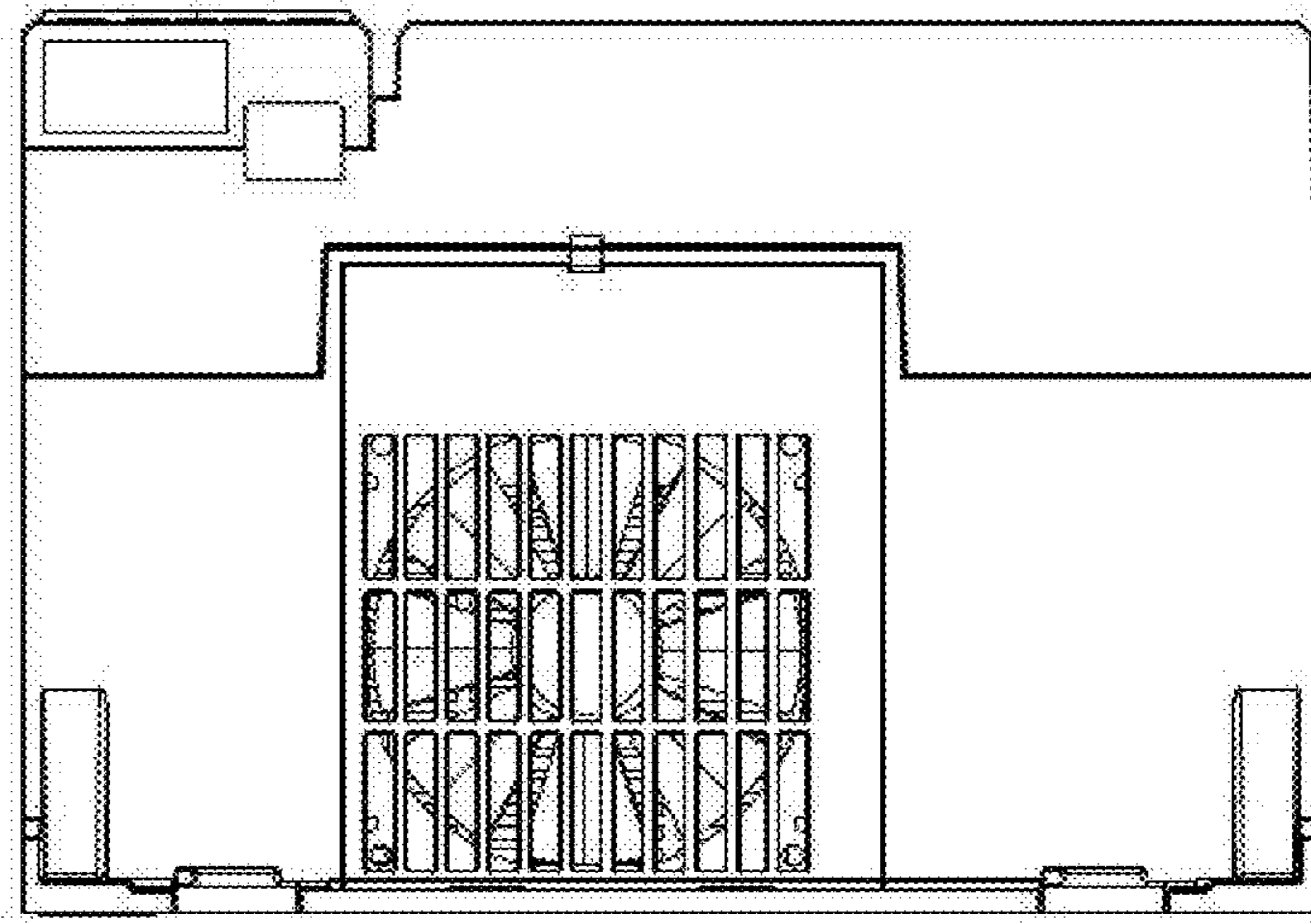


Figure 5

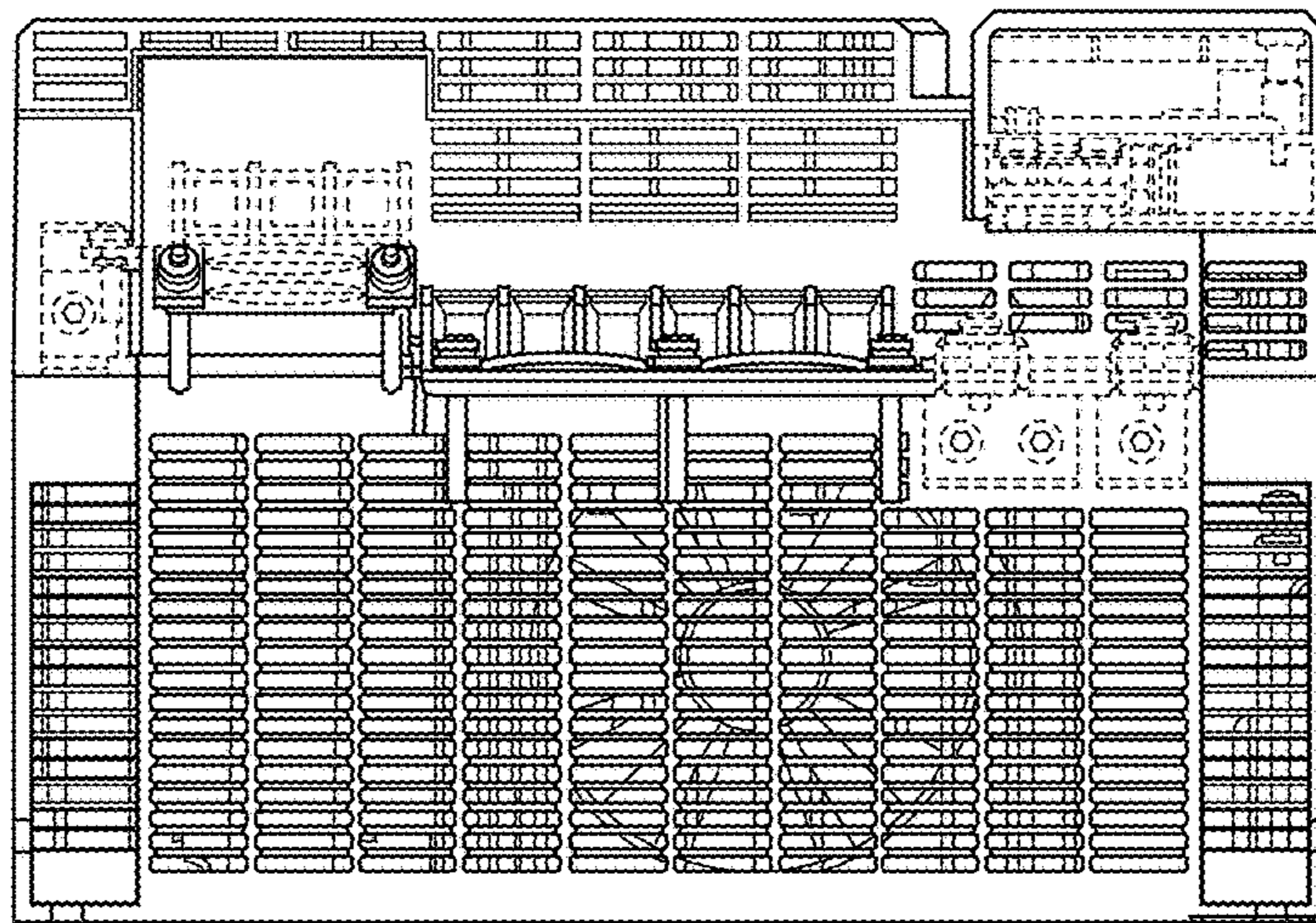


Figure 6

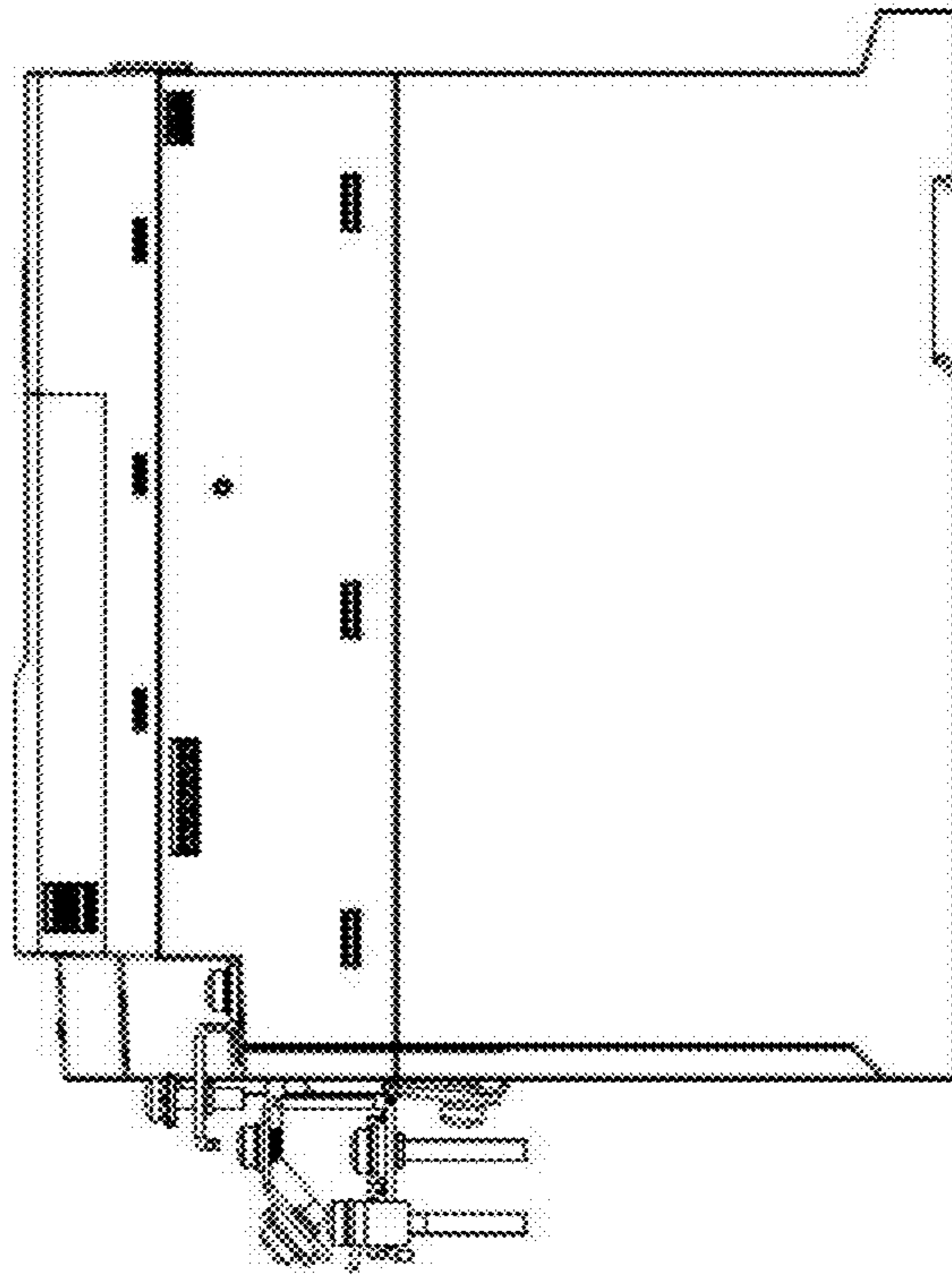


Figure 7

