



US00D854498S

(12) **United States Design Patent** (10) **Patent No.:** **US D854,498 S**
Ebner (45) **Date of Patent:** **** Jul. 23, 2019**

(54) **ELECTRIC DRIVE UNIT**
(71) Applicant: **Wittenstein AG**, Igersheim (DE)
(72) Inventor: **Siegfried Ebner**, Zell am See (AT)
(73) Assignee: **Wittenstein SE**, Igersheim (DE)
(**) Term: **15 Years**
(21) Appl. No.: **29/574,477**
(22) Filed: **Aug. 16, 2016**
(51) **LOC (11) Cl.** **13-01**
(52) **U.S. Cl.**
USPC **D13/112**
(58) **Field of Classification Search**
USPC D13/112, 101, 113, 114, 199; D15/1, 3,
D15/5; 91/197; 310/47, 89, 113, 166, 91
CPC ... B60K 7/0007; B60L 15/2009; Y02T 10/72;
Y02T 10/7275
See application file for complete search history.

(56) **References Cited**

U.S. PATENT DOCUMENTS

D604,347 S * 11/2009 Wittenstein D15/149
D696,222 S * 12/2013 Jia D14/155
D700,575 S * 3/2014 Andersson D13/114
D740,867 S * 10/2015 Barta D15/148

FOREIGN PATENT DOCUMENTS

CN 304080702 * 3/2017
CN 304122479 * 5/2017

OTHER PUBLICATIONS

Drive Solutions posted by Vogel Business Media posted date Jun. 8, 2016, © Vogelitalia, [online], <https://www.vogelitalia.it/wittenstein-corrosion-resistant-gearhead-and-drive-solutions-with-hygienic-design/> (Year: 2016).*

SPS IPC Drives 2015 by Igersheim posted date Oct. 13, 2015, © Presse Box, [online], <https://www.pressebox.com/pressrelease/WITTENSTEIN-ag/Wittenstein-at-SPS-IPC-Drives-2015-Engineered-by-Pioneers/boxid/760435> (Year: 2015).*
SPS IPC Drives 2014 by Drives and Controls posted date Jan. 3, 2015, © Drive & Controls, [online], http://drivesncontrols.com/news/fullstory.php/aid/4677/sps_ipc_drives_2014_exclusive_show_report.html?current_page=NO_PAGE (Year: 2015).*

* cited by examiner

Primary Examiner — Cynthia Ramirez

Assistant Examiner — Laura H Yu

(74) *Attorney, Agent, or Firm* — Bachman & LaPointe, PC

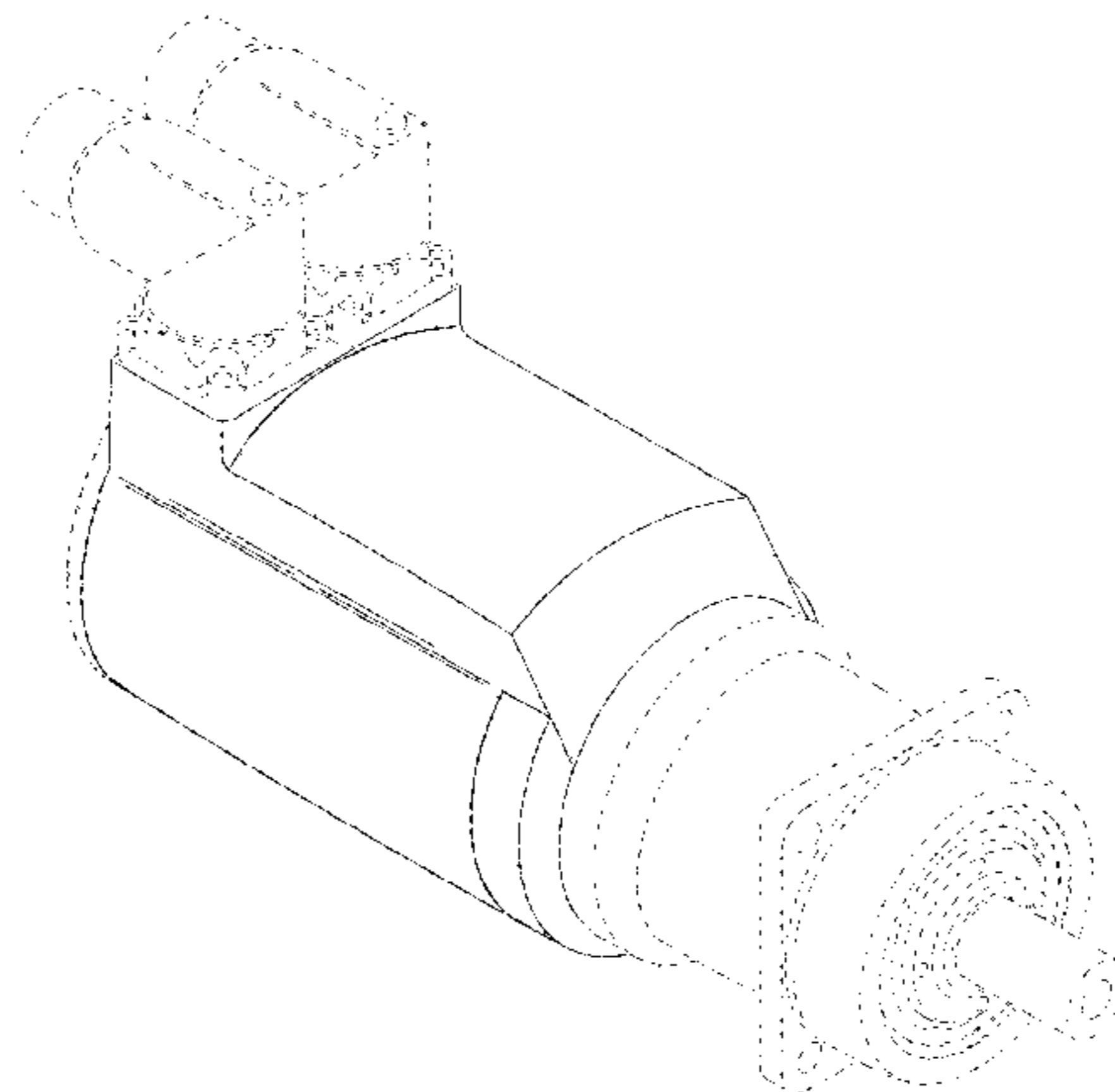
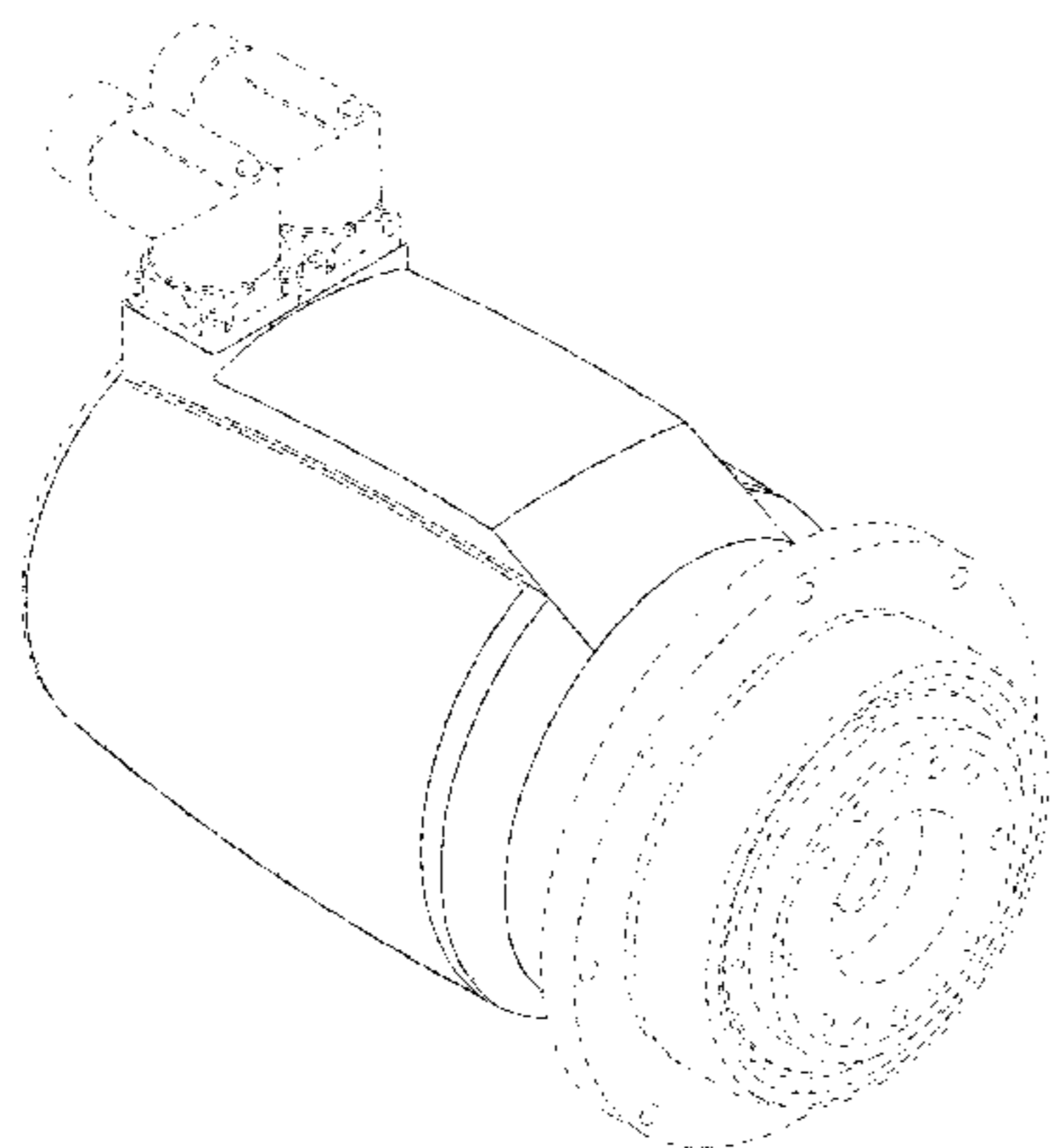
(57) **CLAIM**

The ornamental design of electric drive unit, as shown and described.

DESCRIPTION

FIG. 1 is a perspective view of an electric drive unit showing my new design;
FIG. 2 is a rear view thereof;
FIG. 3 is a left side view thereof;
FIG. 4 is a top view thereof;
FIG. 5 is a right side view thereof;
FIG. 6 is a bottom view thereof;
FIG. 7 is a front view thereof;
FIG. 8 is a perspective view of another embodiment of an electric drive unit showing my new design;
FIG. 9 is a rear view thereof;
FIG. 10 is a left side view thereof;
FIG. 11 is a top view thereof;
FIG. 12 is a right side view thereof;
FIG. 13 is a bottom view thereof; and,
FIG. 14 is a front view thereof.
The broken lines in the drawings depict portions of the electric drive unit that form no part of the claimed design.

1 Claim, 14 Drawing Sheets



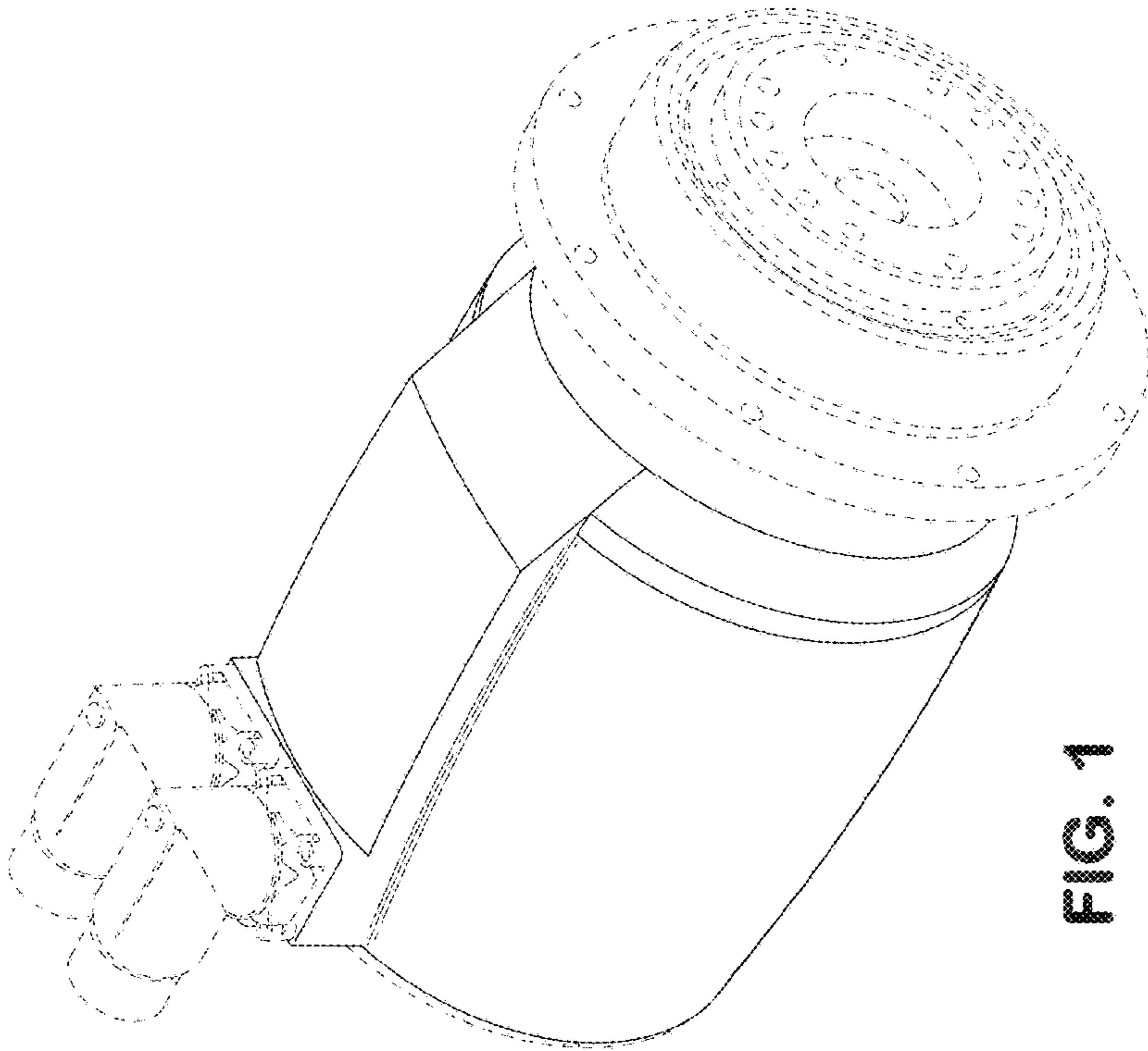


FIG. 1

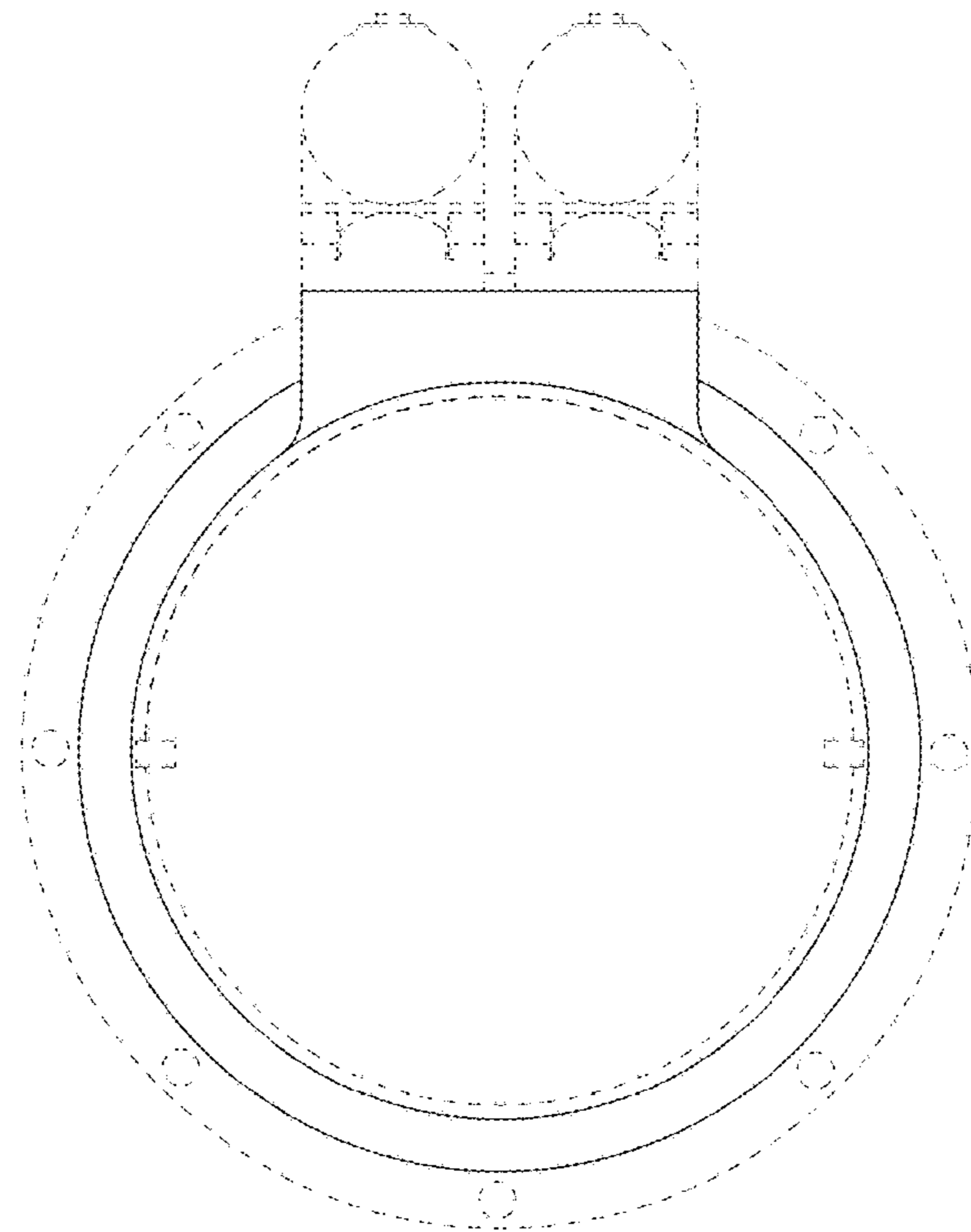


FIG. 2

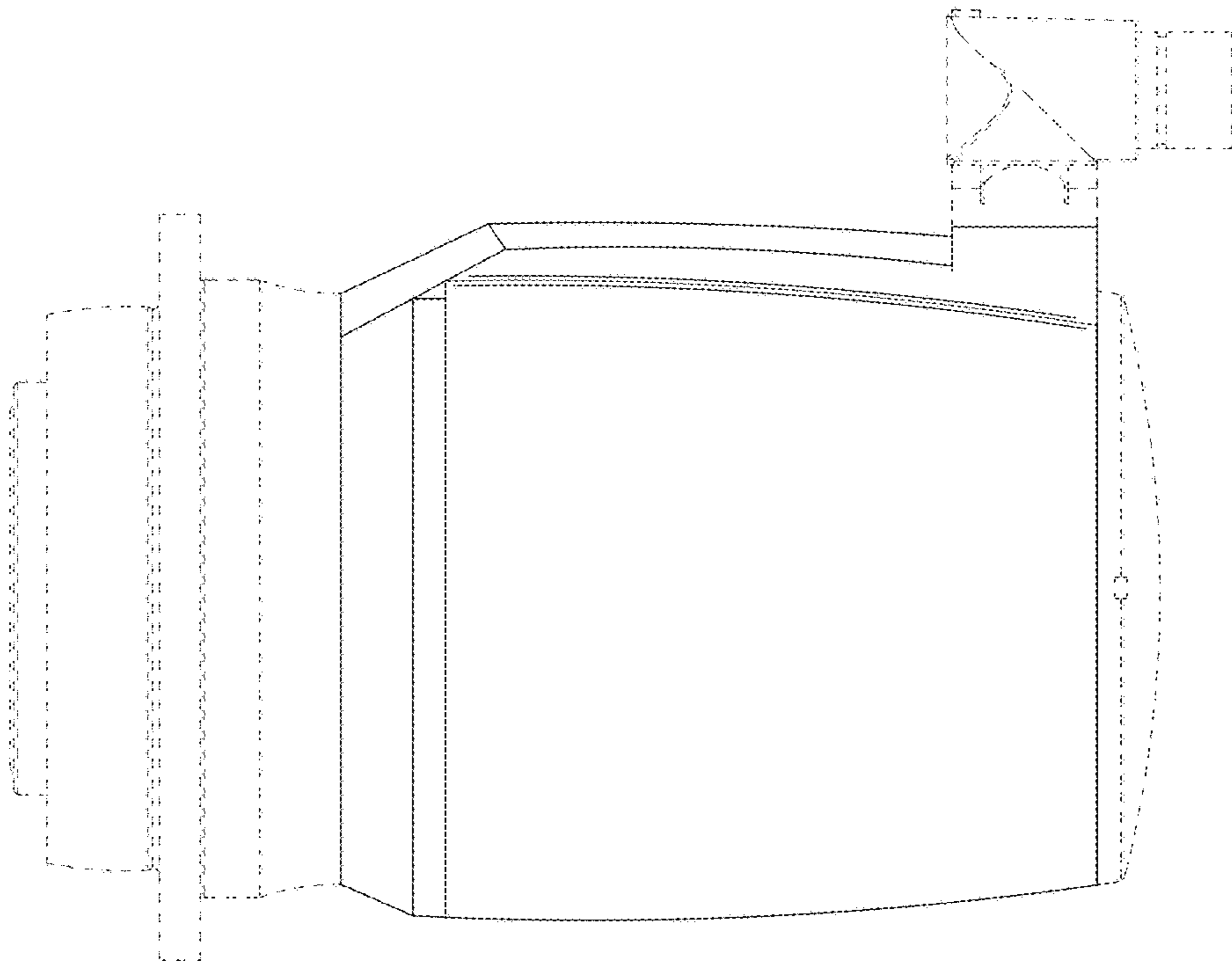


FIG. 3

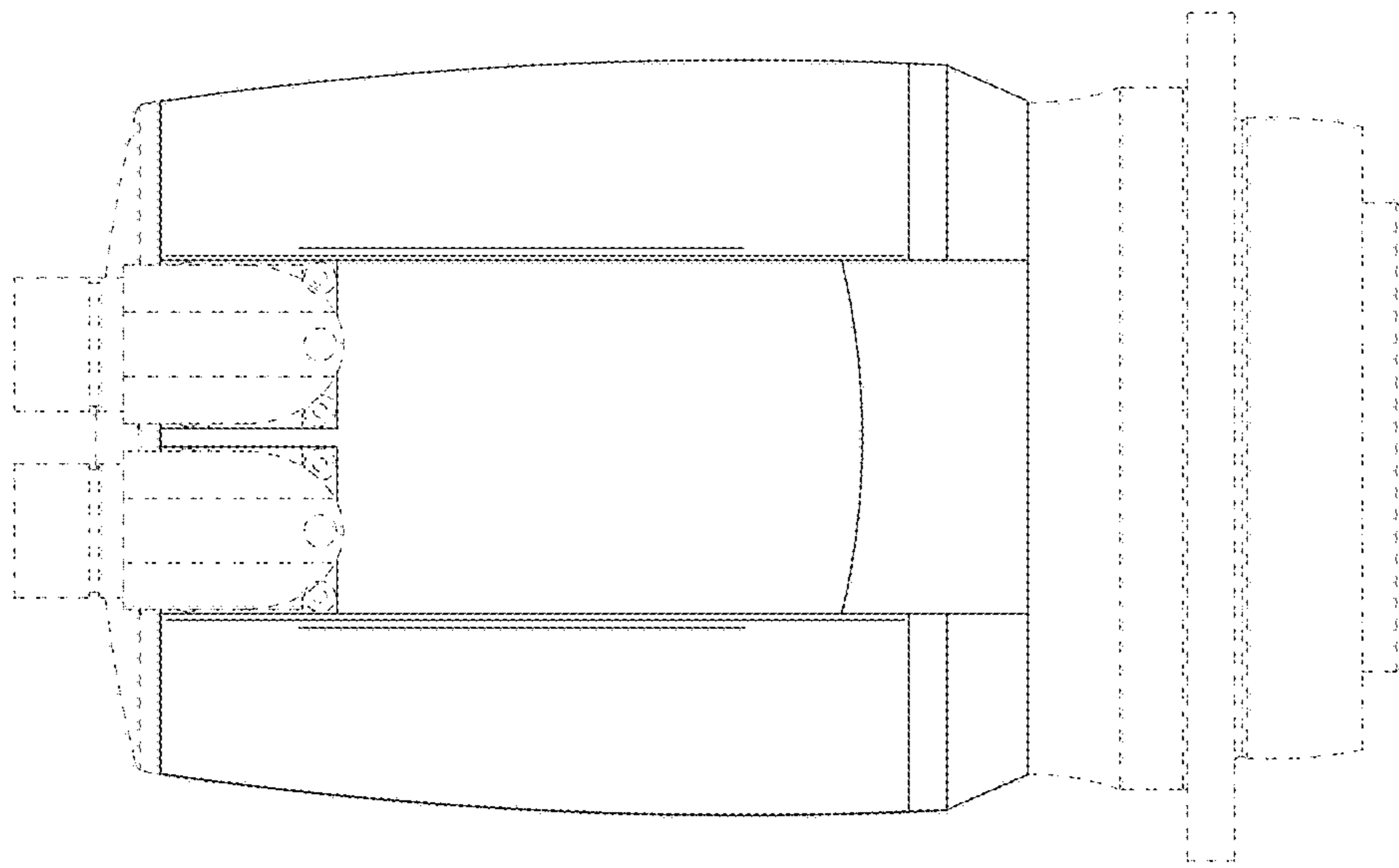


FIG. 4

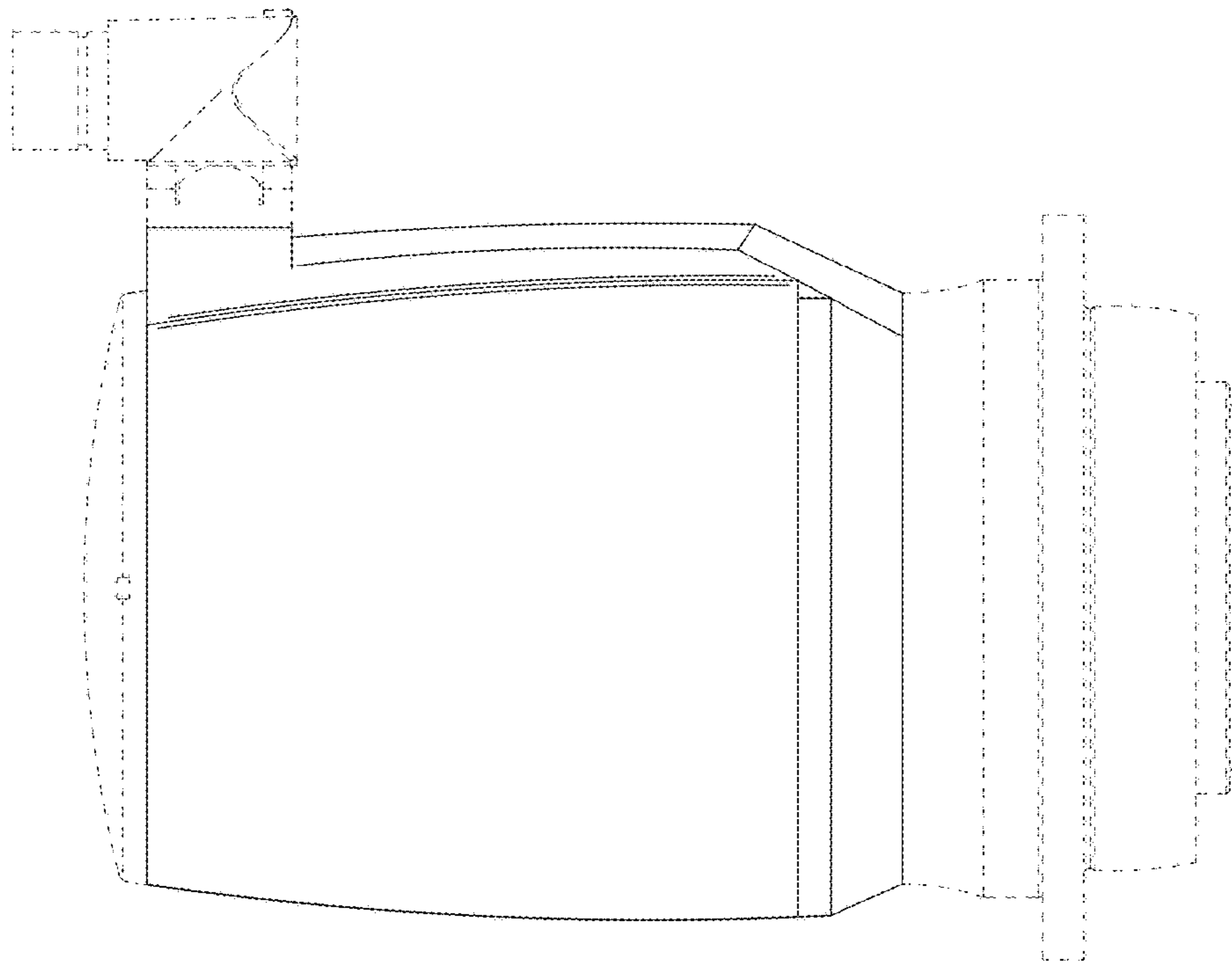


FIG. 5

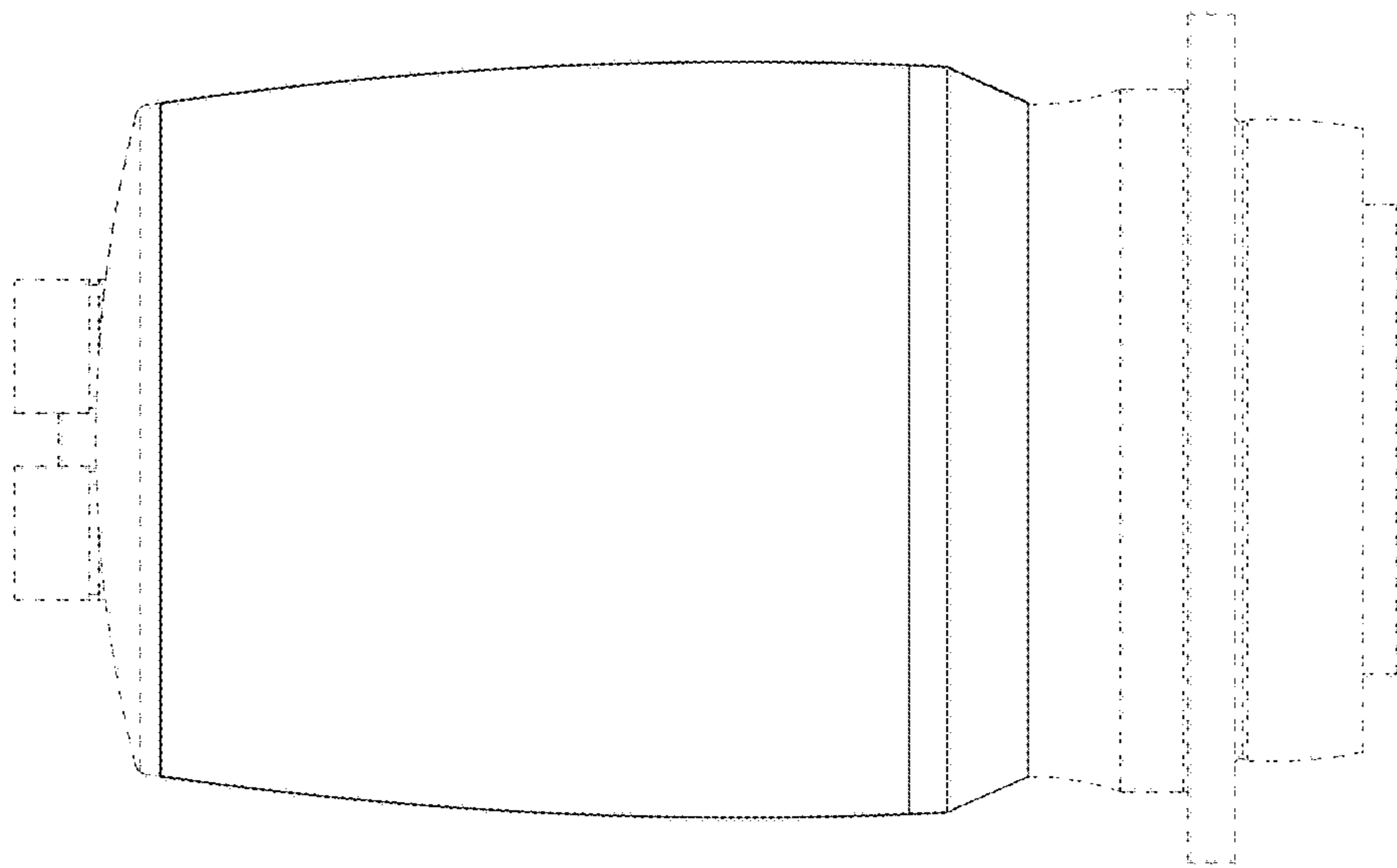


FIG. 6

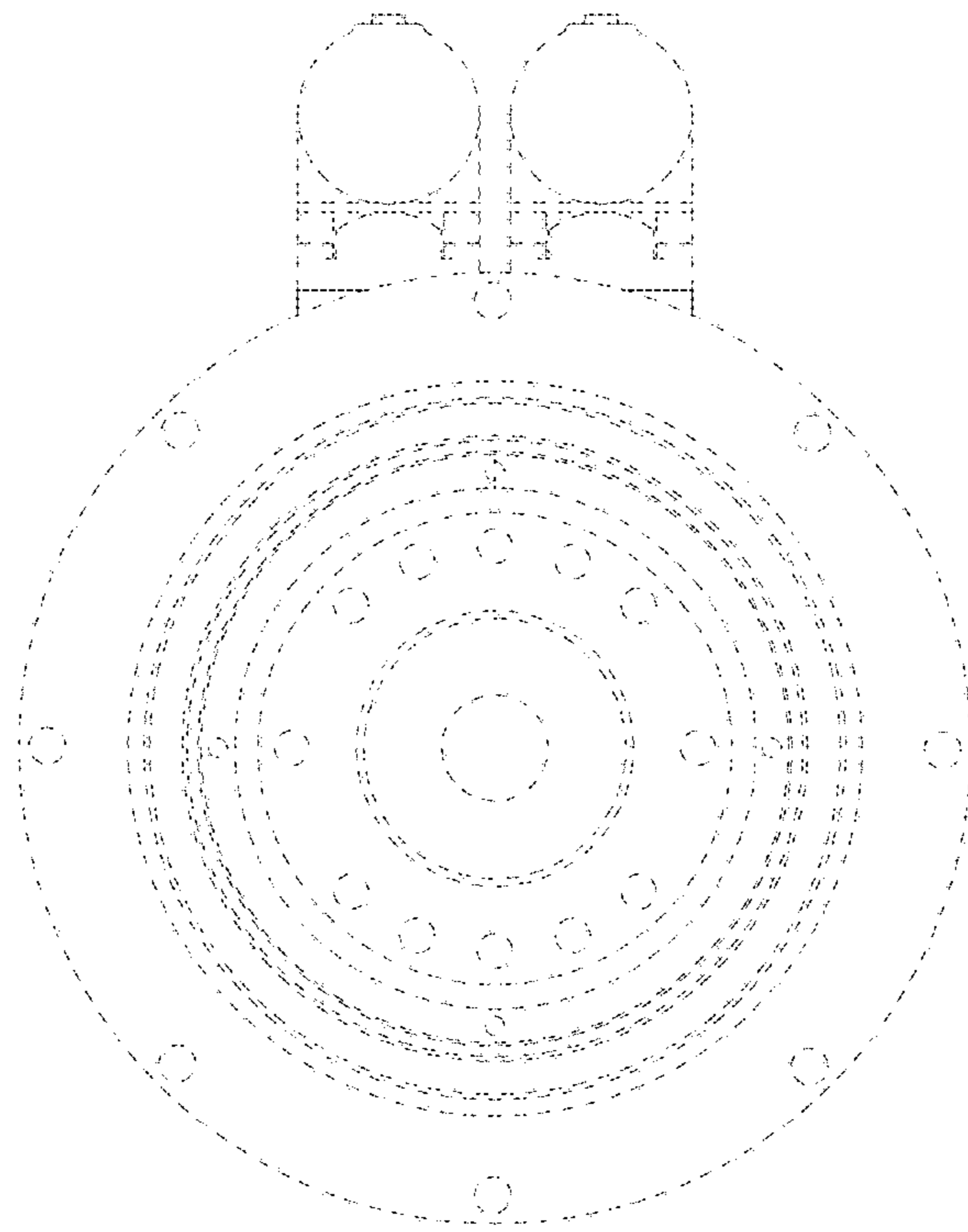


FIG. 7

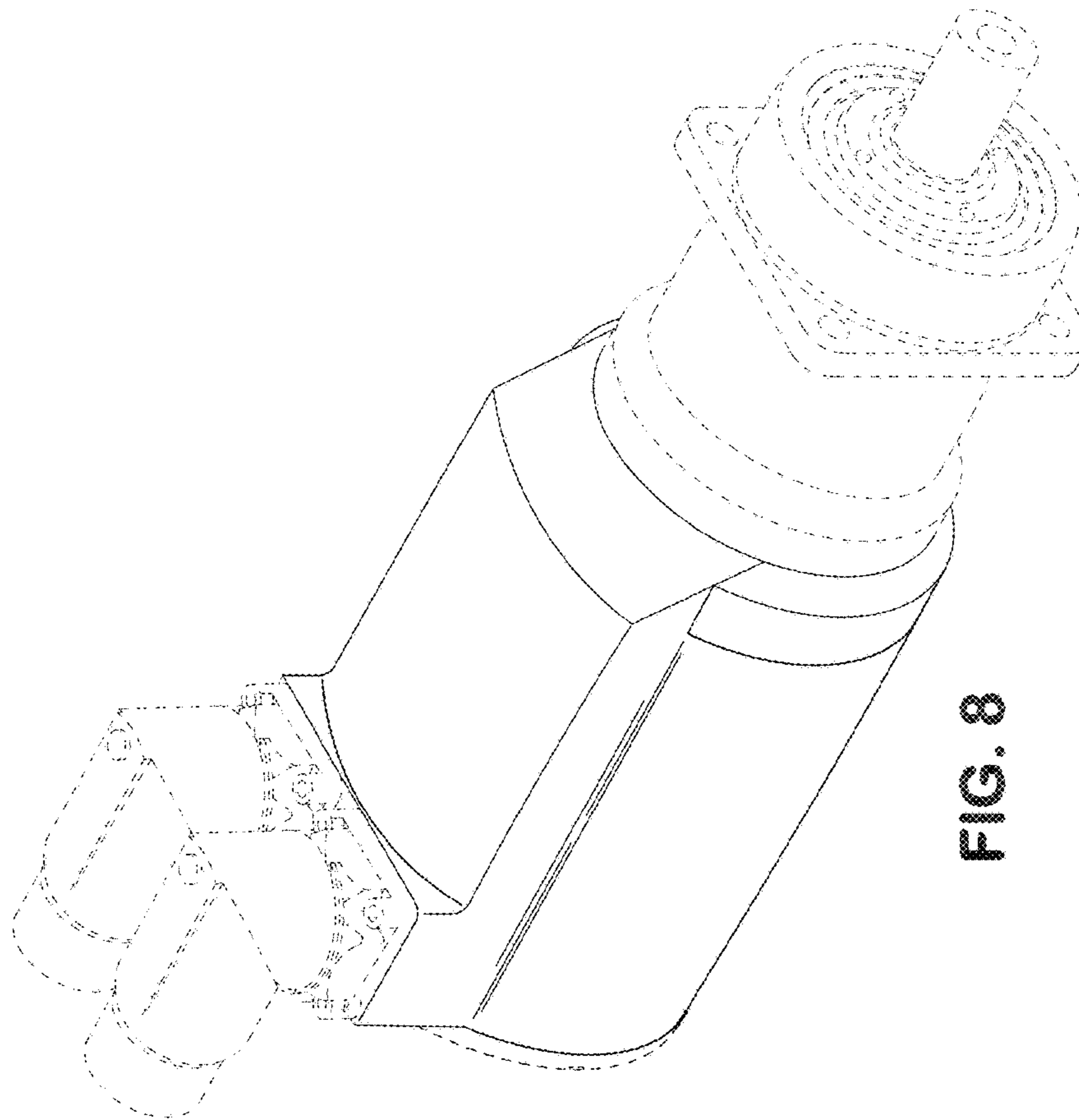


FIG. 8

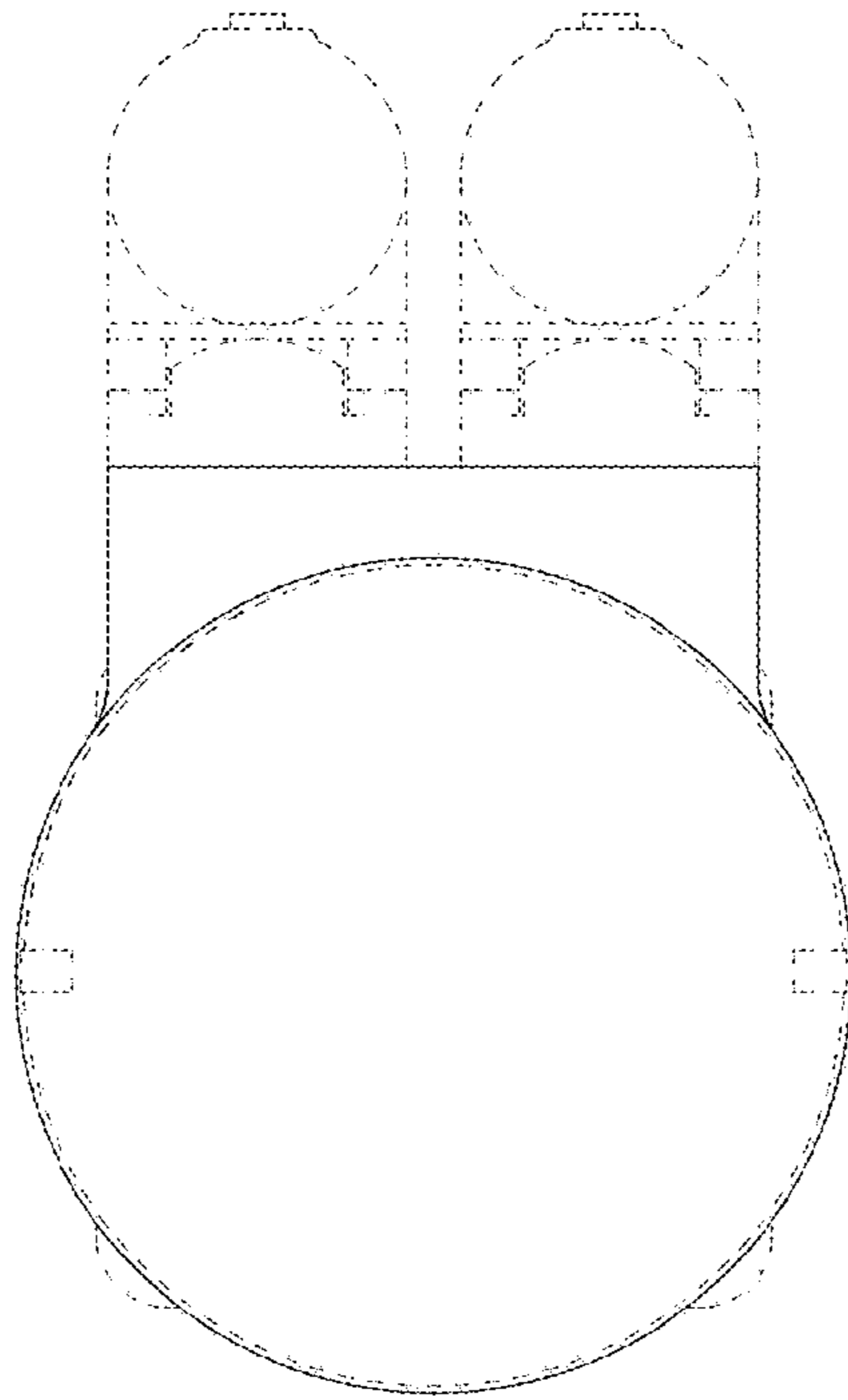


FIG. 9

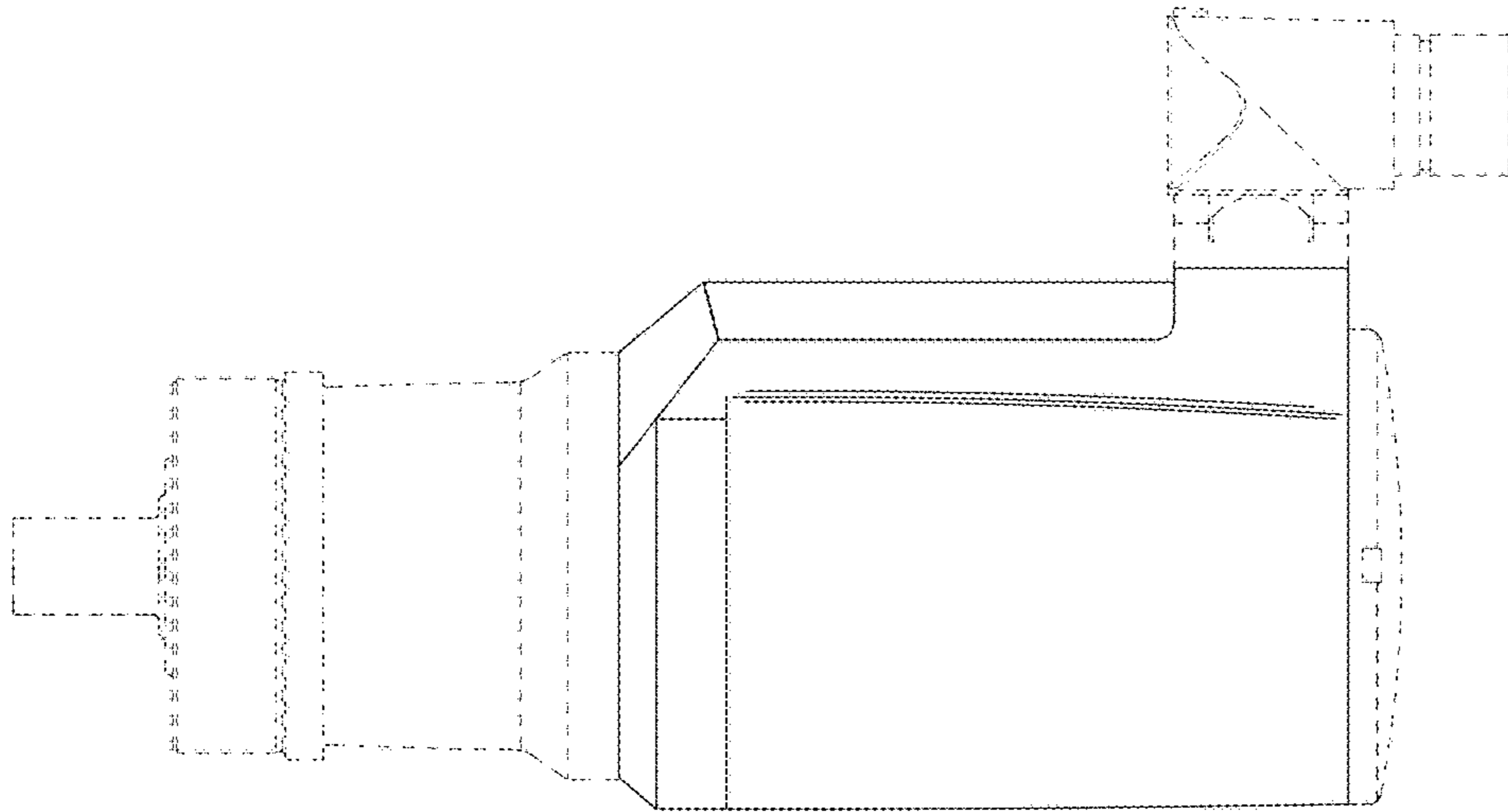


FIG. 10

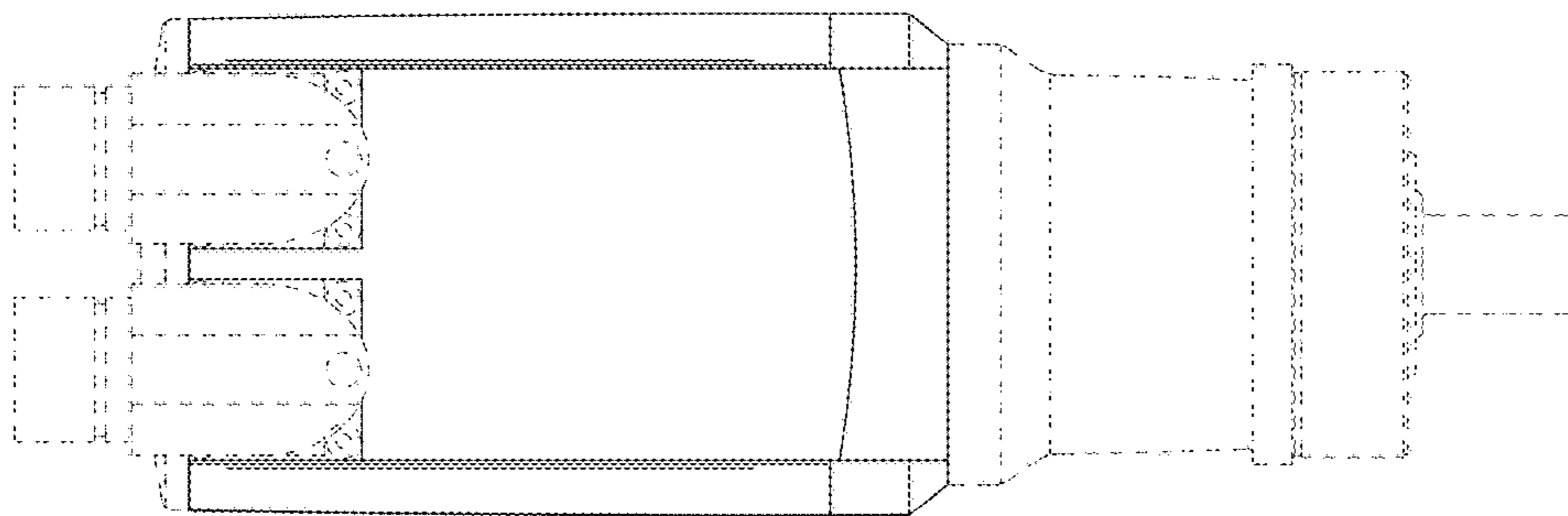


FIG. 11

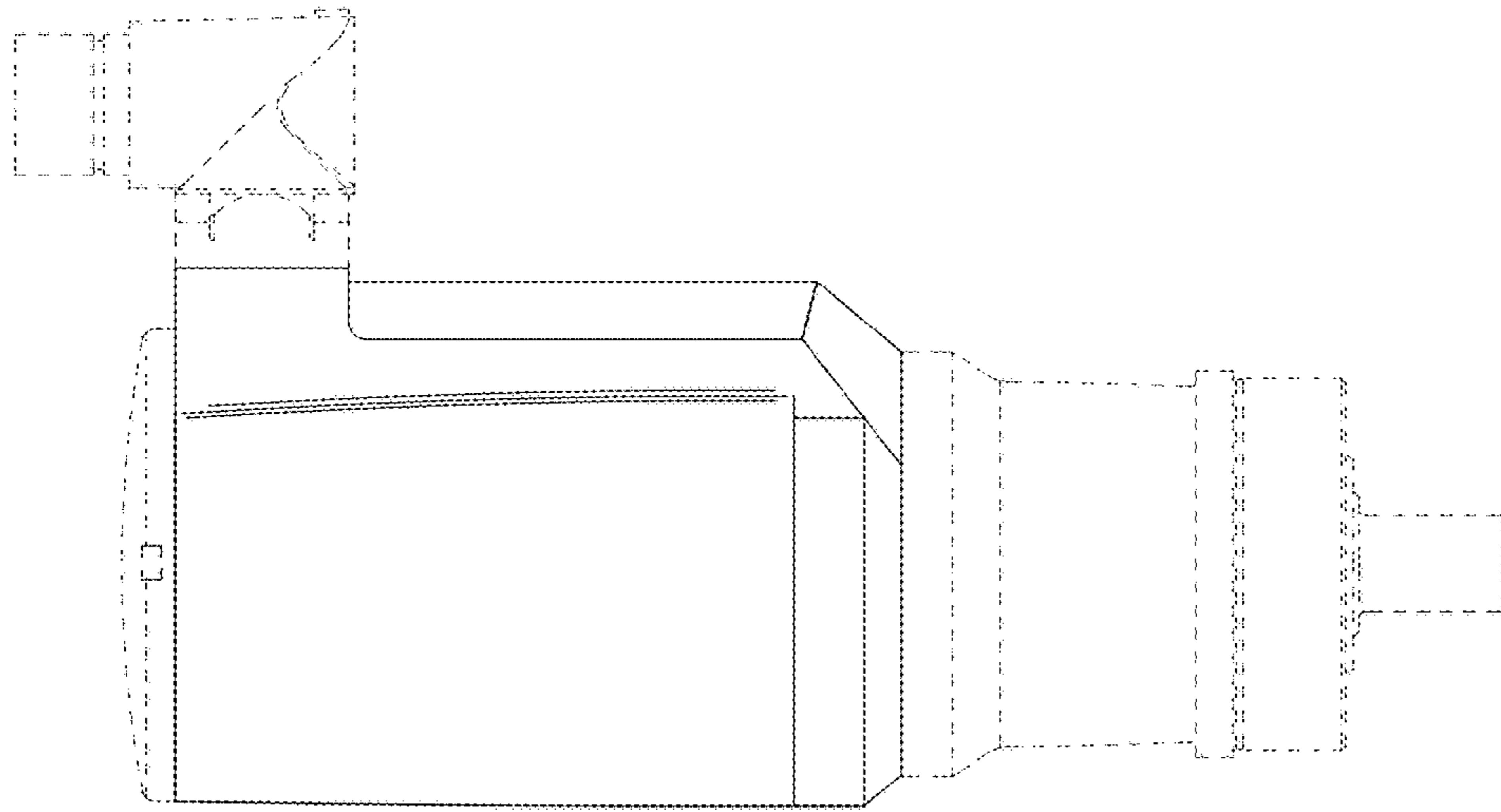


FIG. 12

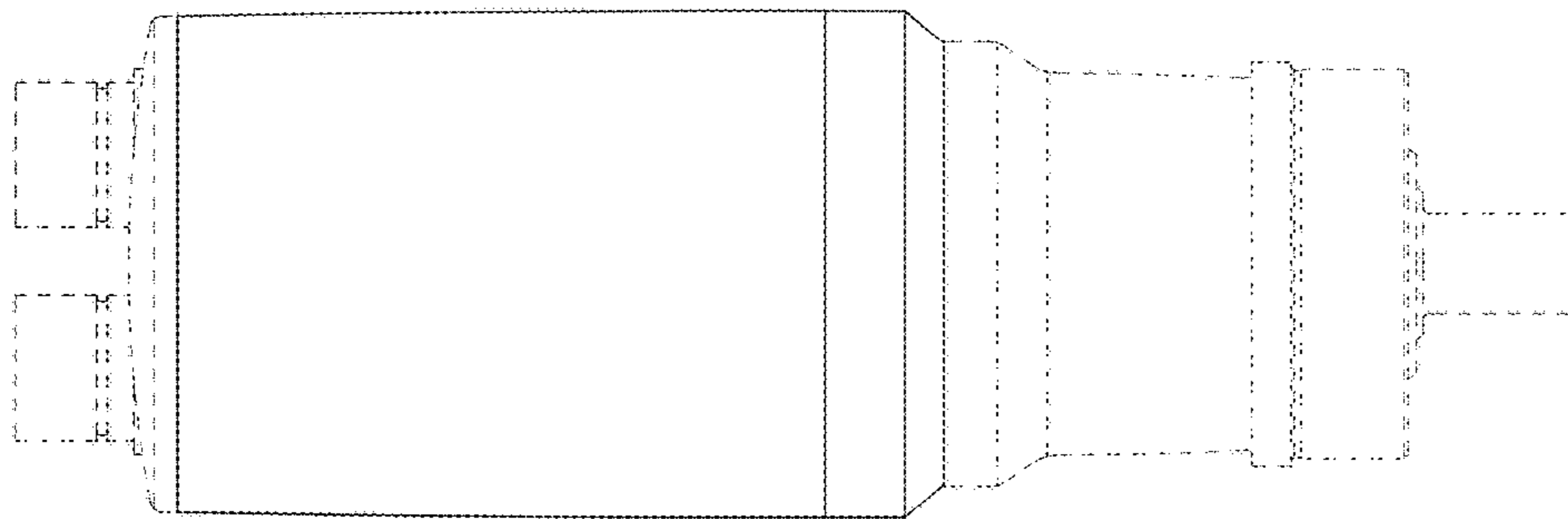


FIG. 13

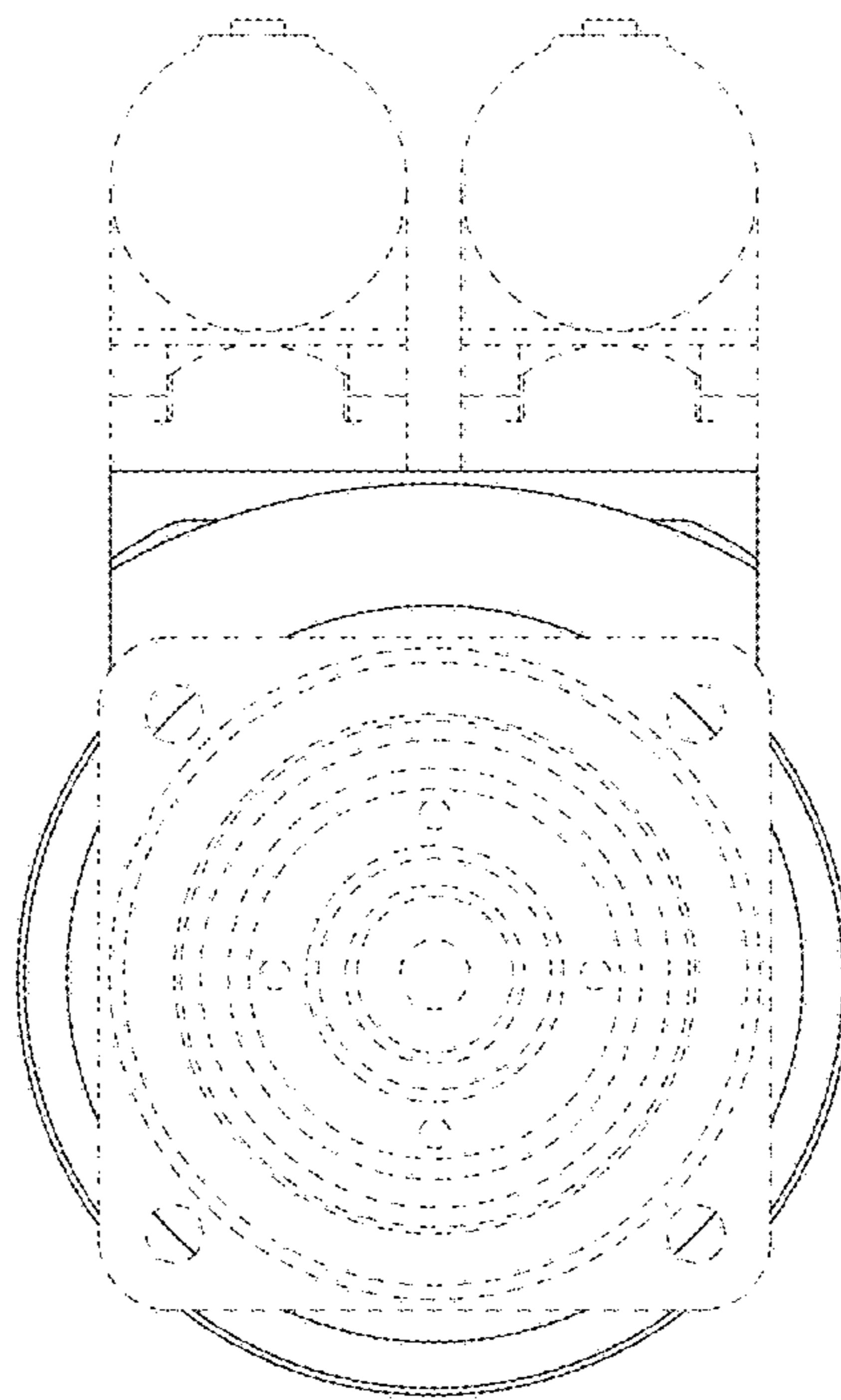


FIG. 14