



US00D854495S

(12) **United States Design Patent** (10) **Patent No.:** **US D854,495 S**
Mishima (45) **Date of Patent:** **** Jul. 23, 2019**

(54) **TIRE FOR AUTOMOBILE**
(71) Applicant: **SUMITOMO RUBBER INDUSTRIES, LTD.**, Hyogo (JP)
(72) Inventor: **Mari Mishima**, Kobe (JP)
(73) Assignee: **SUMITOMO RUBBER INDUSTRIES, LTD.**, Kobe-Shi, Hyogo (JP)

D671,066 S * 11/2012 Morito D12/605
D683,695 S * 6/2013 Takeshima D12/605
D695,211 S * 12/2013 Yasunaga D12/605
D700,886 S * 3/2014 Matsumoto D12/605
D711,816 S * 8/2014 Iwabuchi D12/605
D739,344 S * 9/2015 Kuwano D12/605

(Continued)

(**) Term: **15 Years**

Primary Examiner — Darlington Ly
(74) *Attorney, Agent, or Firm* — Birch, Stewart, Kolasch & Birch, LLP

(21) Appl. No.: **35/504,454**

(57) **CLAIM**
The ornamental design for a tire for automobile, as shown and described.

(22) Filed: **Aug. 15, 2017**

DESCRIPTION

(80) **Hague Agreement Data**

Int. Filing Date: **Aug. 15, 2017**
Int. Reg. No.: **DM/098335**
Int. Reg. Date: **Aug. 15, 2017**
Int. Reg. Pub. Date: **Feb. 16, 2018**

1. Tire for automobile
1.1 is a front elevation view of my new design;
1.2 is an enlarged view of area 1.2 of Reproduction 1.1;
1.3 is an enlarged view of area 1.3 of Reproduction 1.1 thereof;
1.4 is a cross sectional view taken along line 1.4-1.4 of Reproduction 1.3;
1.5 is an enlarged view of area 1.5 of Reproduction 1.1;
1.6 is a cross sectional view taken along line 1.6-1.6 of Reproduction 1.5;
1.7 is a back elevation view thereof;
1.8 is a right side elevation view thereof;
1.9 is a left side elevation view thereof;
1.10 is a top plan view thereof;
1.11 is a bottom plan view thereof;
1.12 is a referential view of Reproduction 1.2;
1.13 is a cross sectional view taken along line 1.13-1.13 of Reproduction 1.12;
1.14 is a cross sectional view taken along line 1.14-1.14 of Reproduction 1.12; and
1.15 is a cross sectional view taken along line 1.15-1.15 of Reproduction 1.12.
The broken lines shown in the in the drawings represent portions of the tire for automobile that form no part of the claimed design.

(51) **LOC (11) Cl.** **12-15**

(52) **U.S. Cl.**
USPC **D12/605**

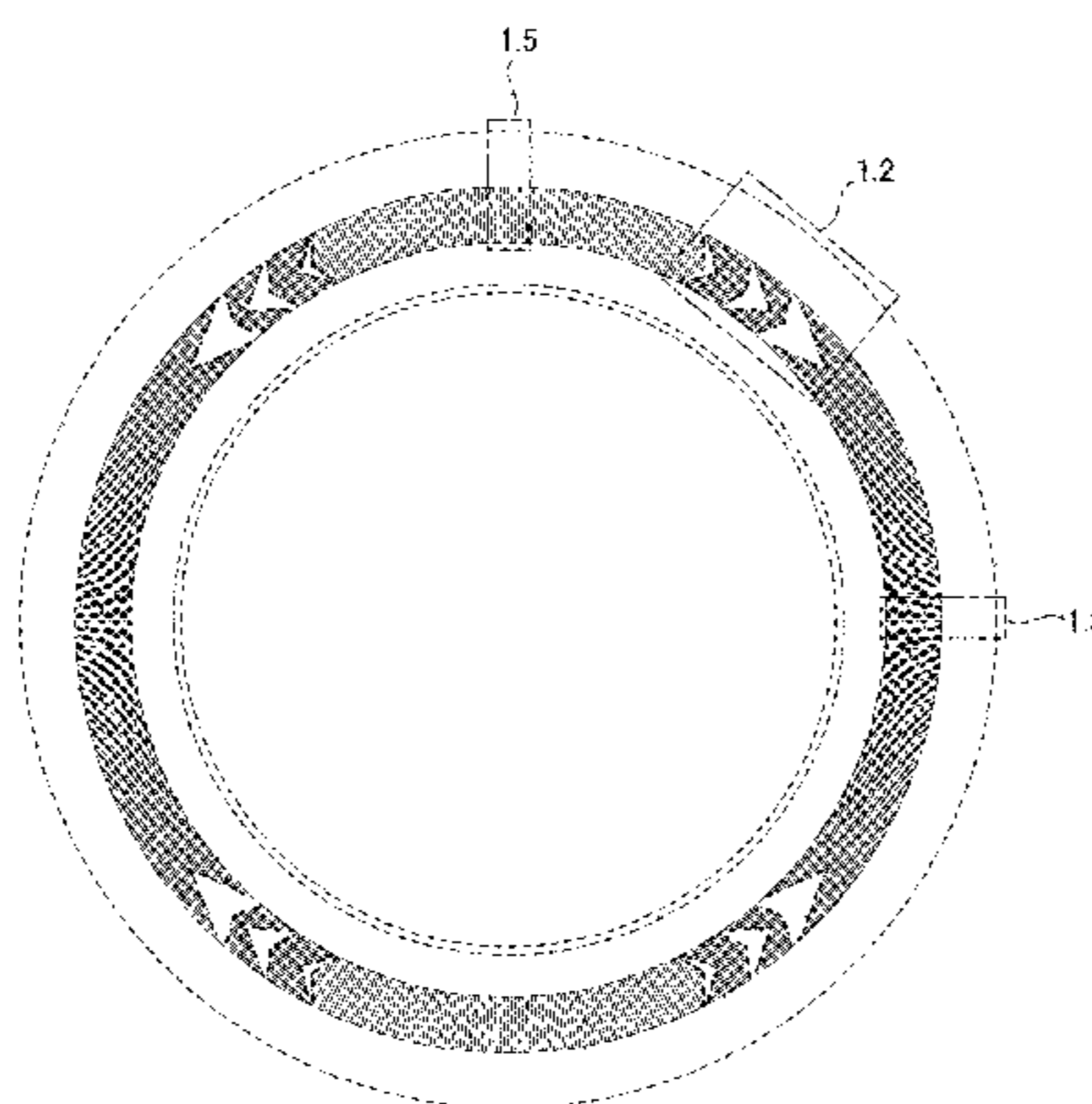
(58) **Field of Classification Search**
USPC D12/500-501, 506, 534-538, 569-573, D12/604-605, 900; D5/30; D7/396.4, D7/396.5
CPC B06C 1/00; B06C 13/00
See application file for complete search history.

(56) **References Cited**

U.S. PATENT DOCUMENTS

D87,418 S * 7/1932 Smith D12/535
D87,419 S * 7/1932 Smith D12/535
D380,713 S * 7/1997 Attinello D12/601
D452,203 S * 12/2001 Kajikawa D12/605
D517,003 S * 3/2006 Shondel D12/605
D569,337 S * 5/2008 Iwabuchi D12/605
D584,682 S * 1/2009 Tanaka D12/605
D649,111 S * 11/2011 Tokizaki D12/605

1 Claim, 15 Drawing Sheets



(56)

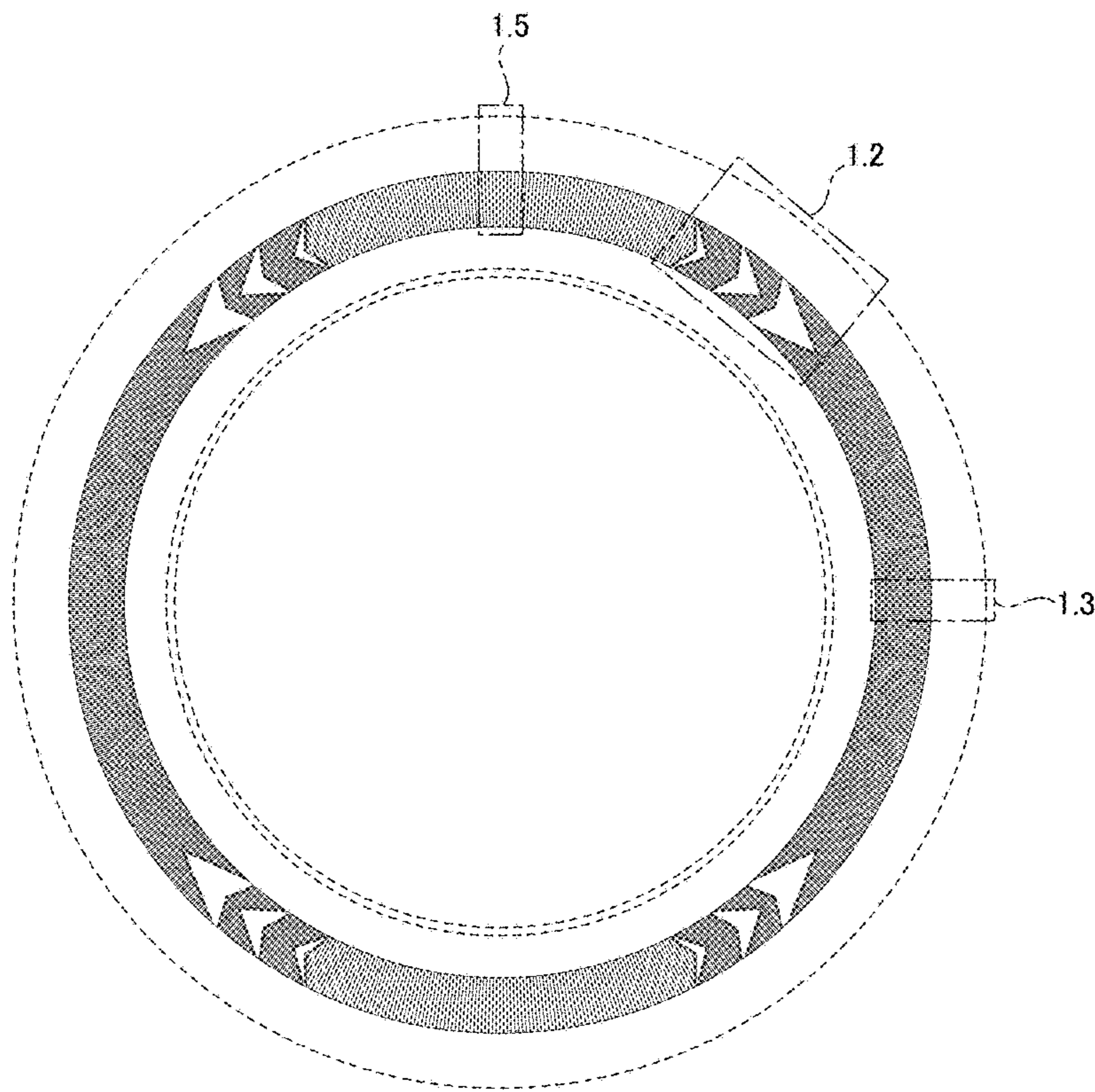
References Cited

U.S. PATENT DOCUMENTS

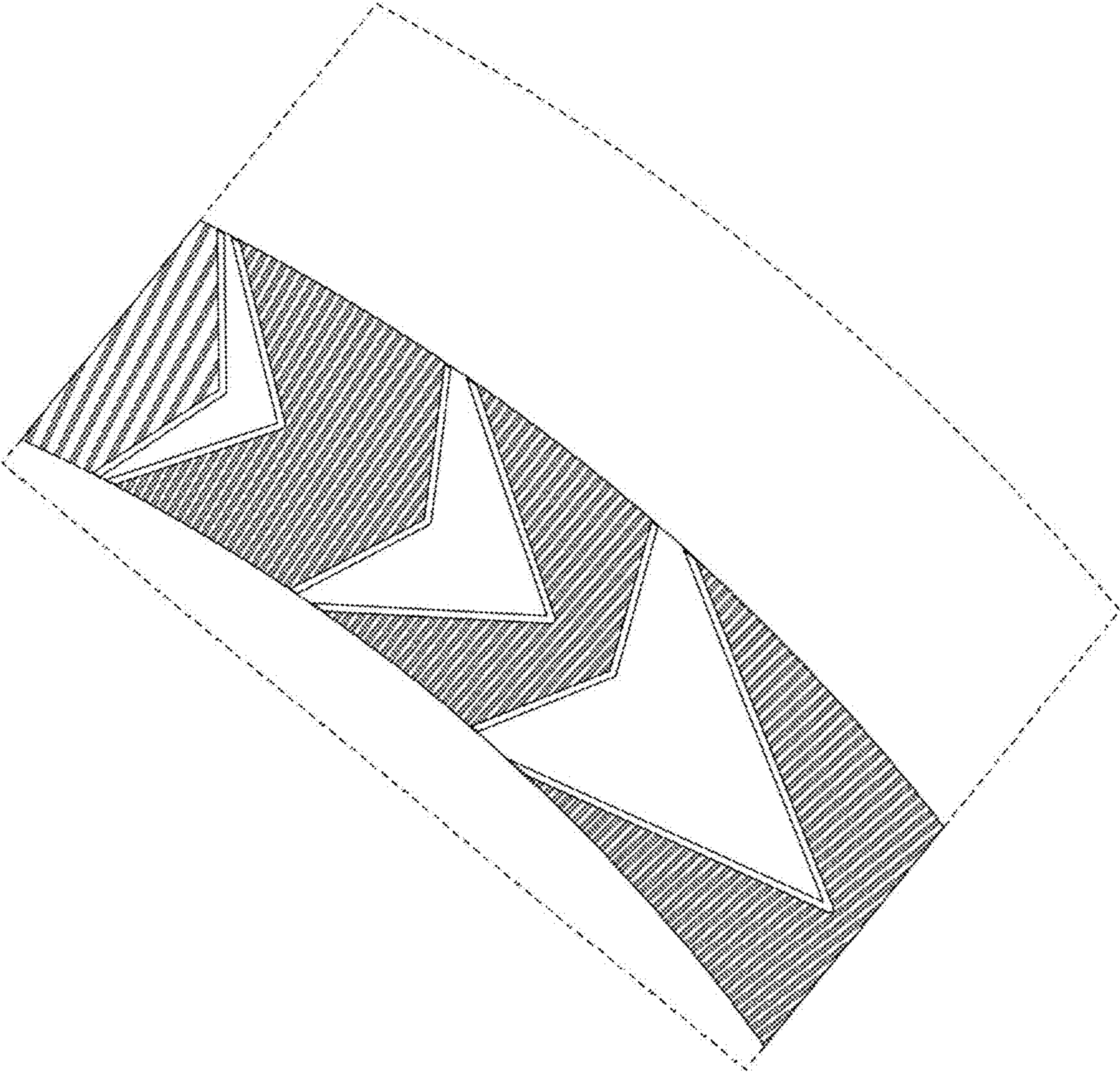
D740,747 S	*	10/2015	Sato	D12/605
D773,987 S	*	12/2016	Ishikawa	D12/605
D777,656 S	*	1/2017	Maxwell	D12/605
D791,068 S	*	7/2017	Ishikawa	D12/605
D792,842 S	*	7/2017	Itoi	D12/605
D800,646 S	*	10/2017	Sato	D12/605
D802,526 S	*	11/2017	Ishikawa	D12/605
D830,960 S	*	10/2018	Sato	D12/605

* cited by examiner

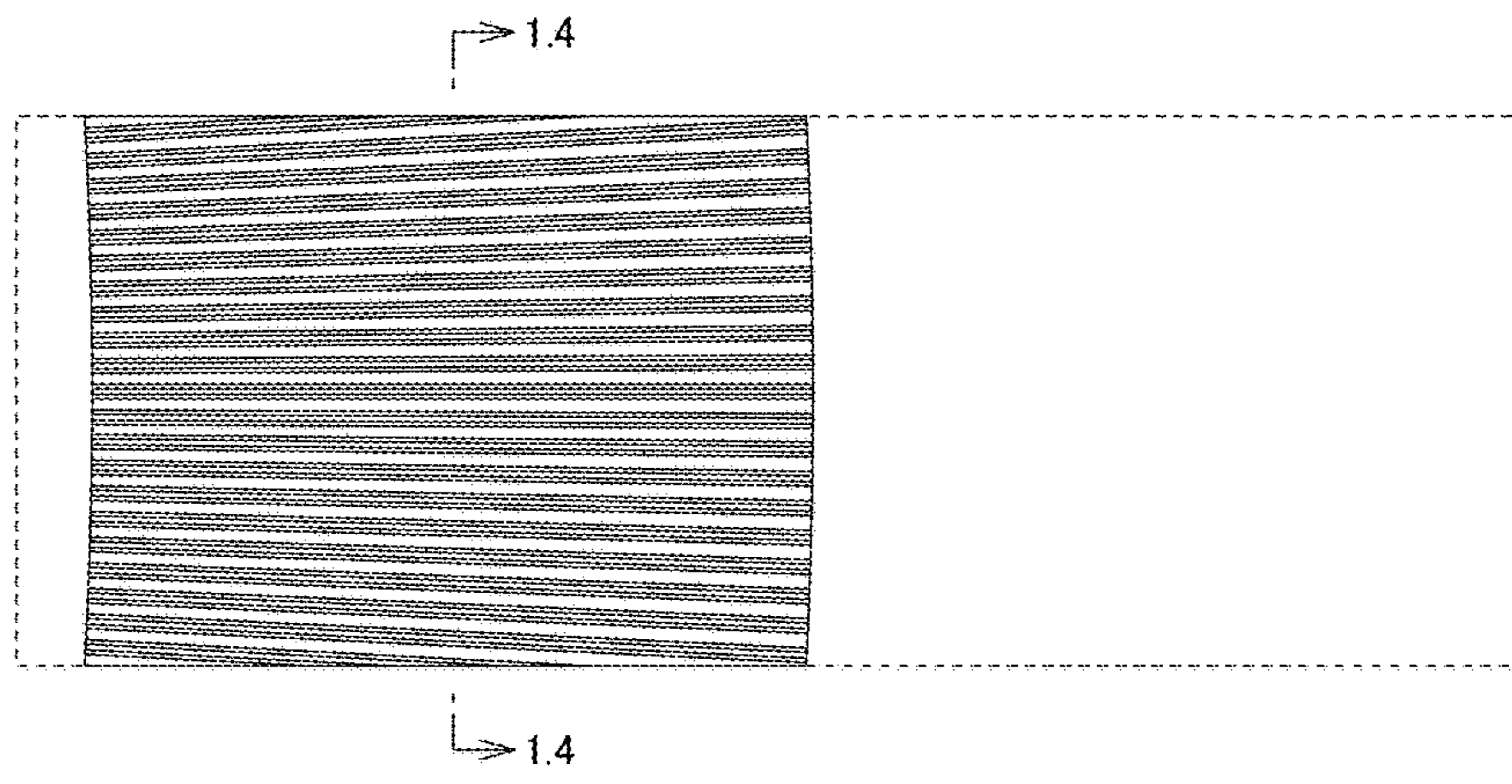
1.1



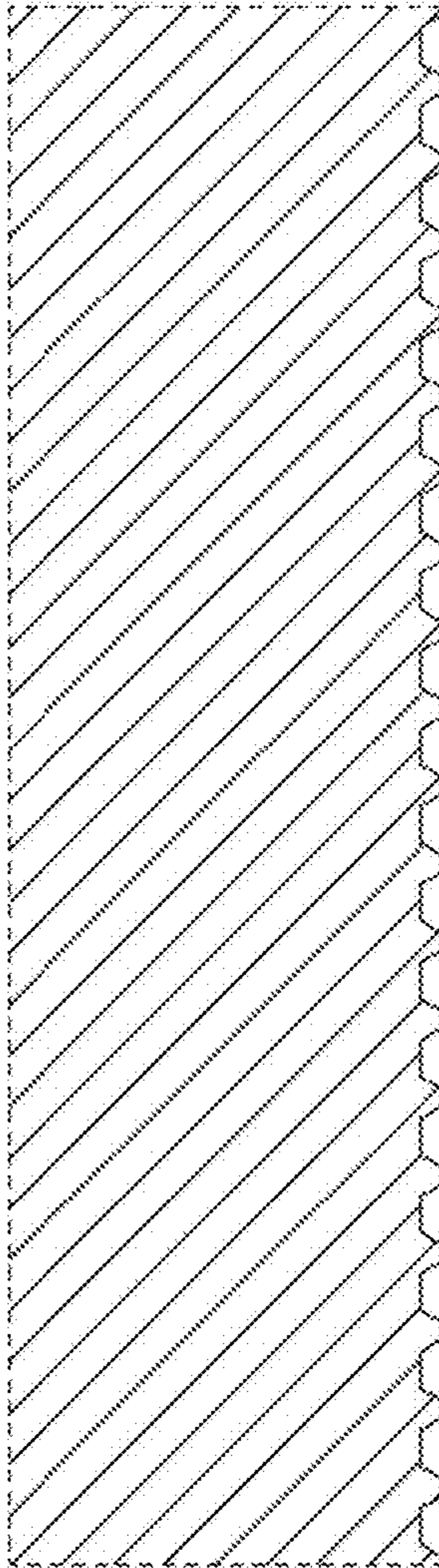
1.2



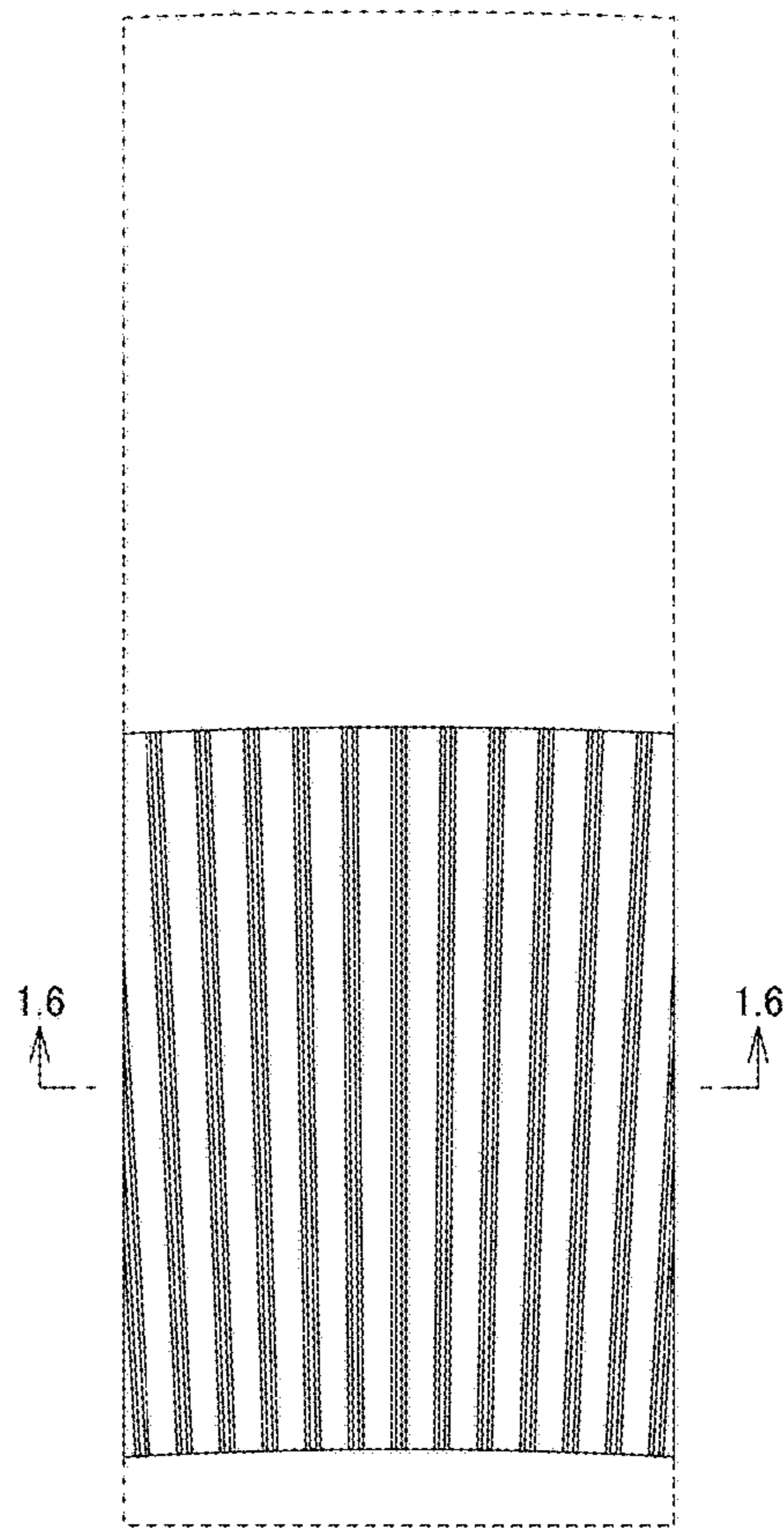
1.3



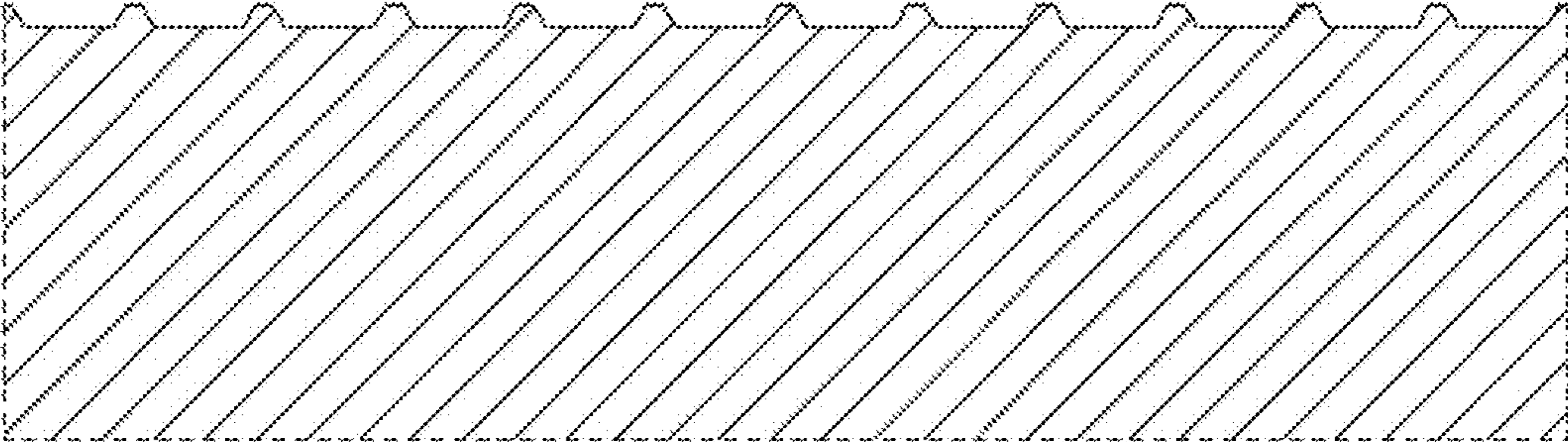
1.4



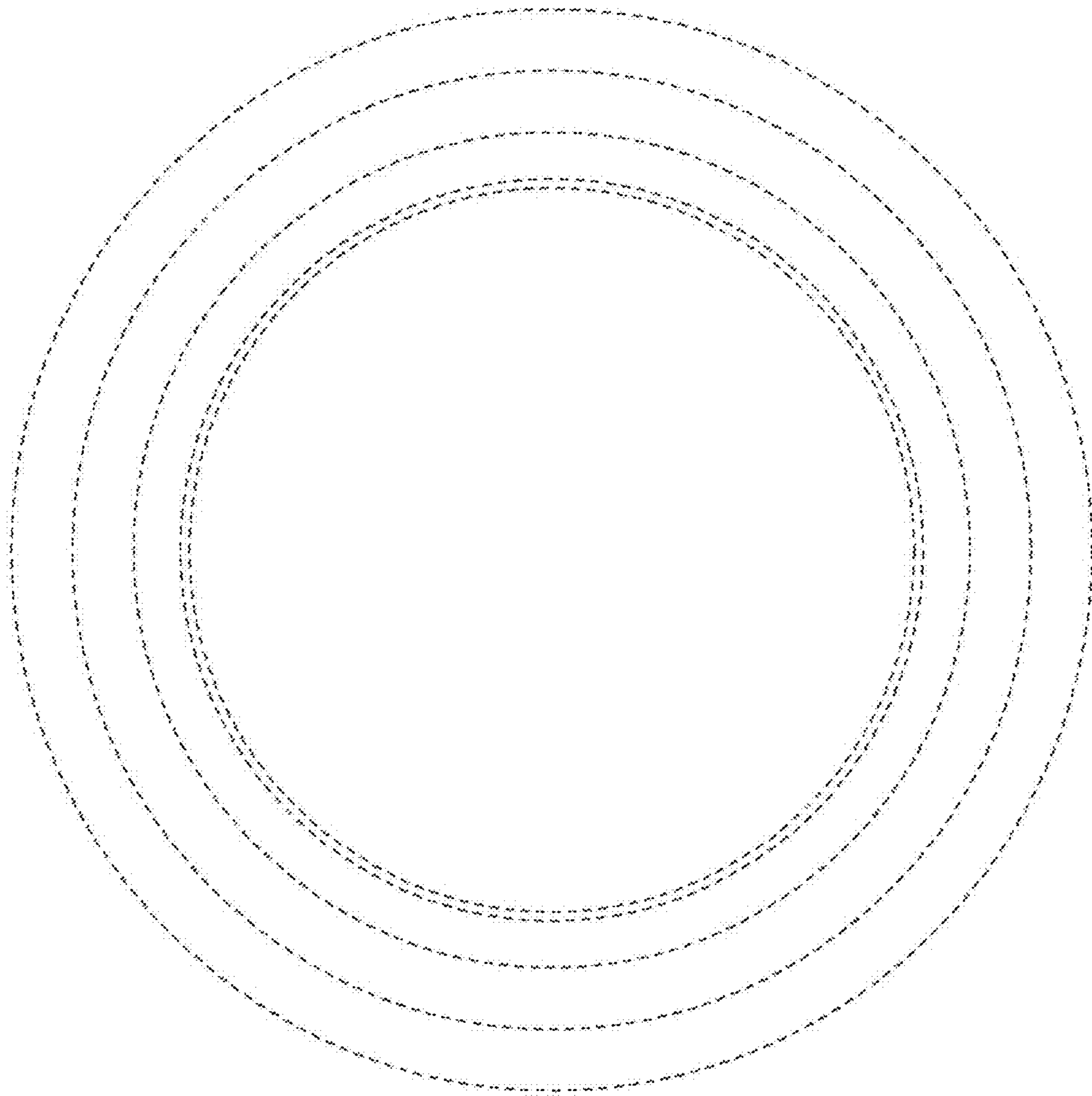
1.5



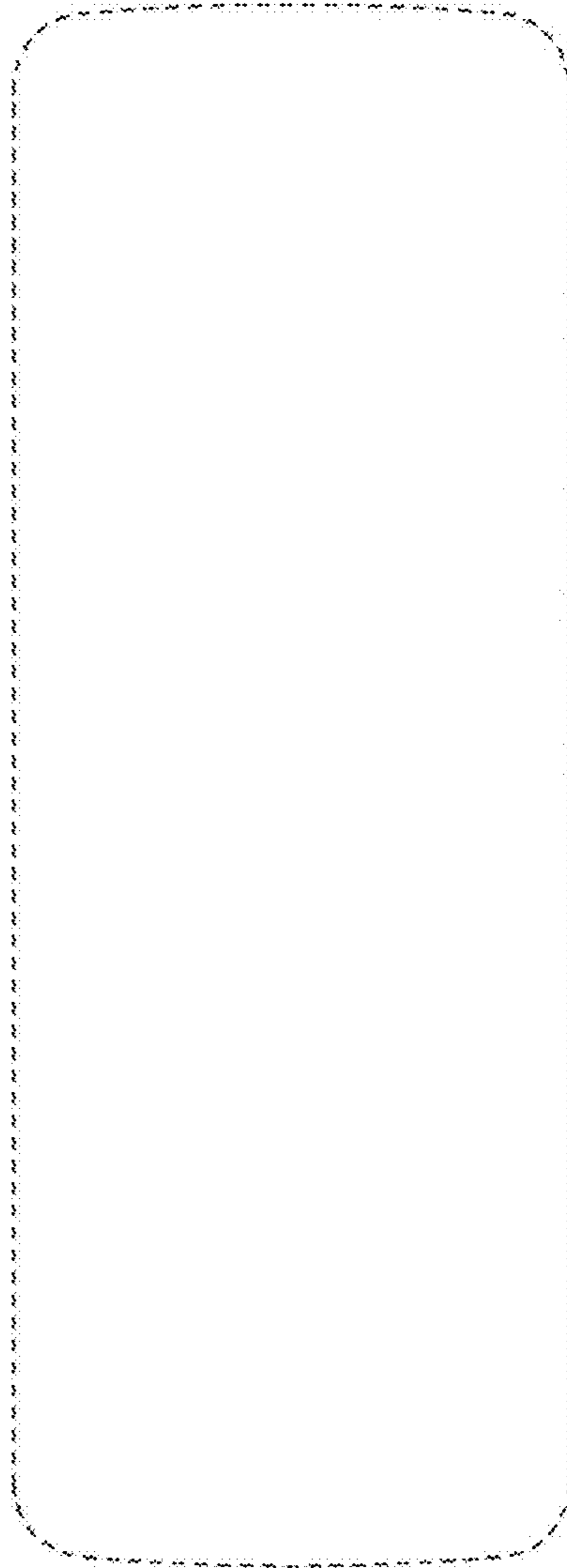
1.6



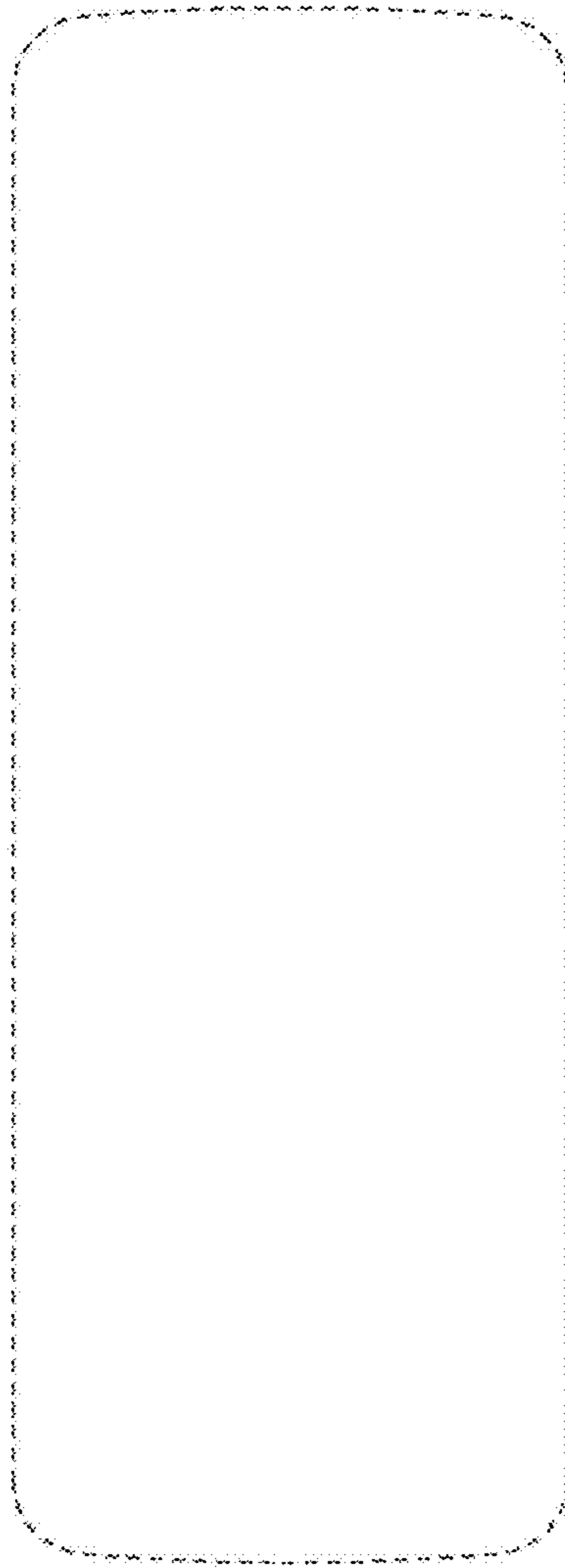
1.7



1.8



1.9



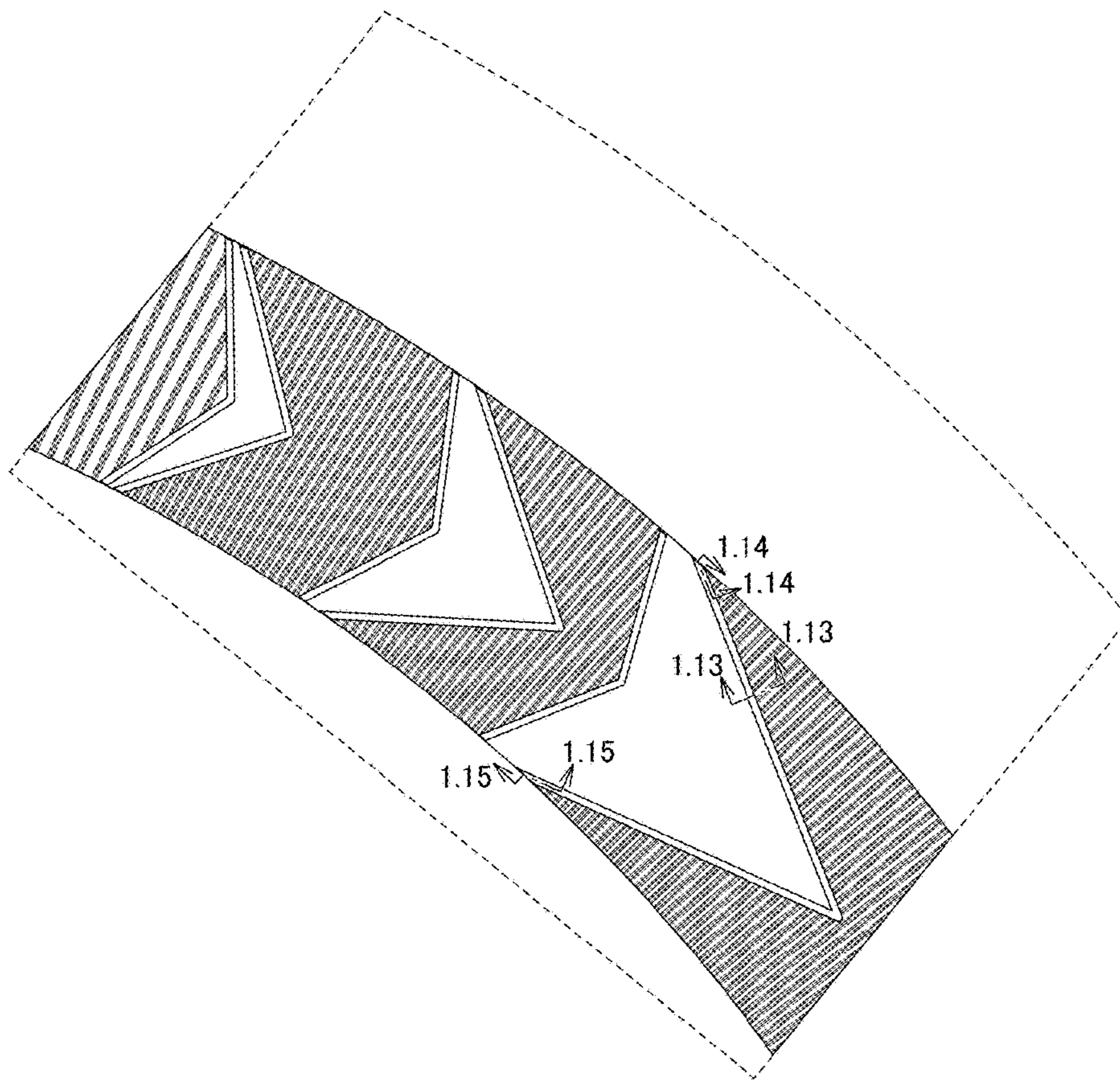
1.10



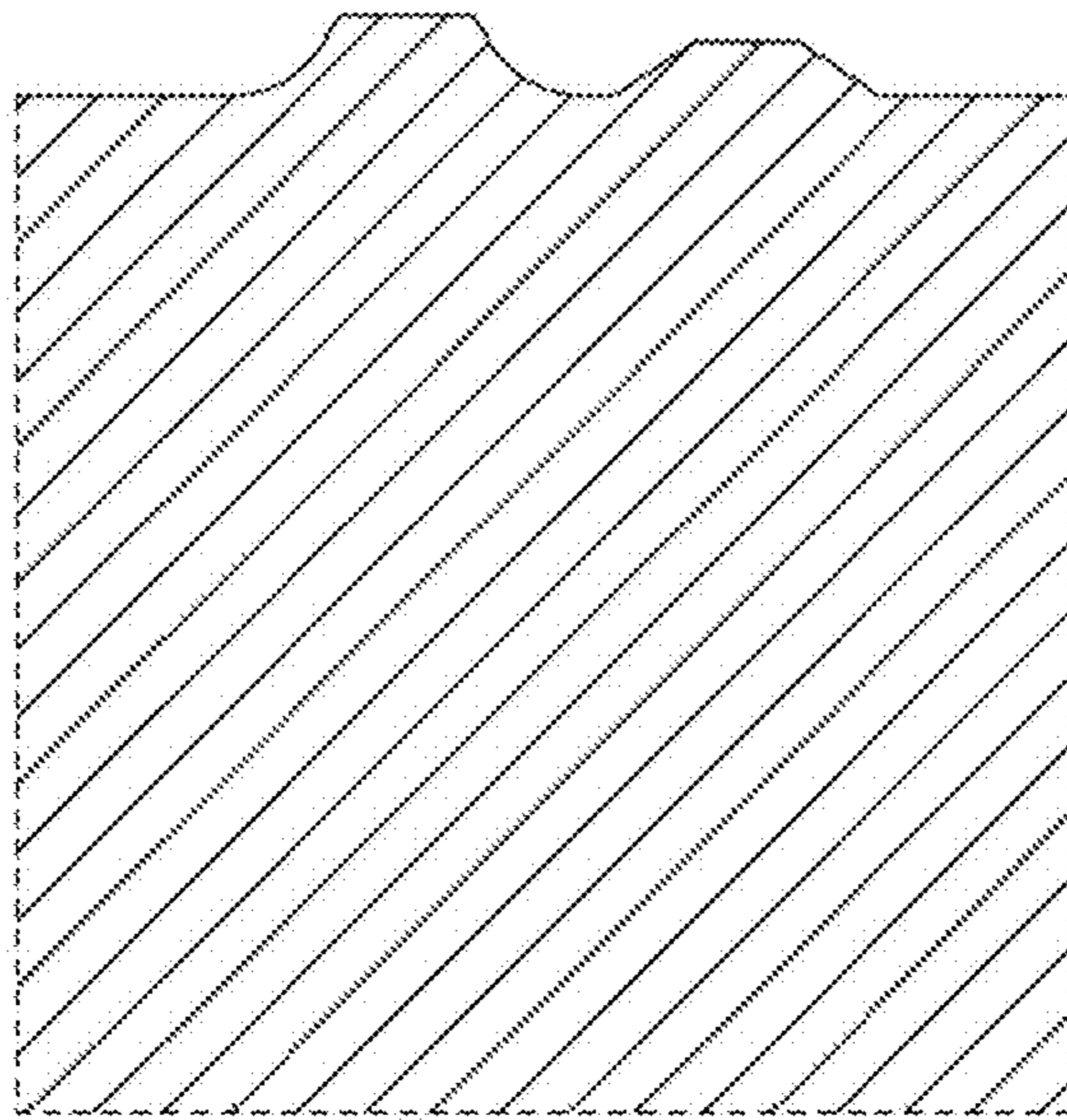
1.11



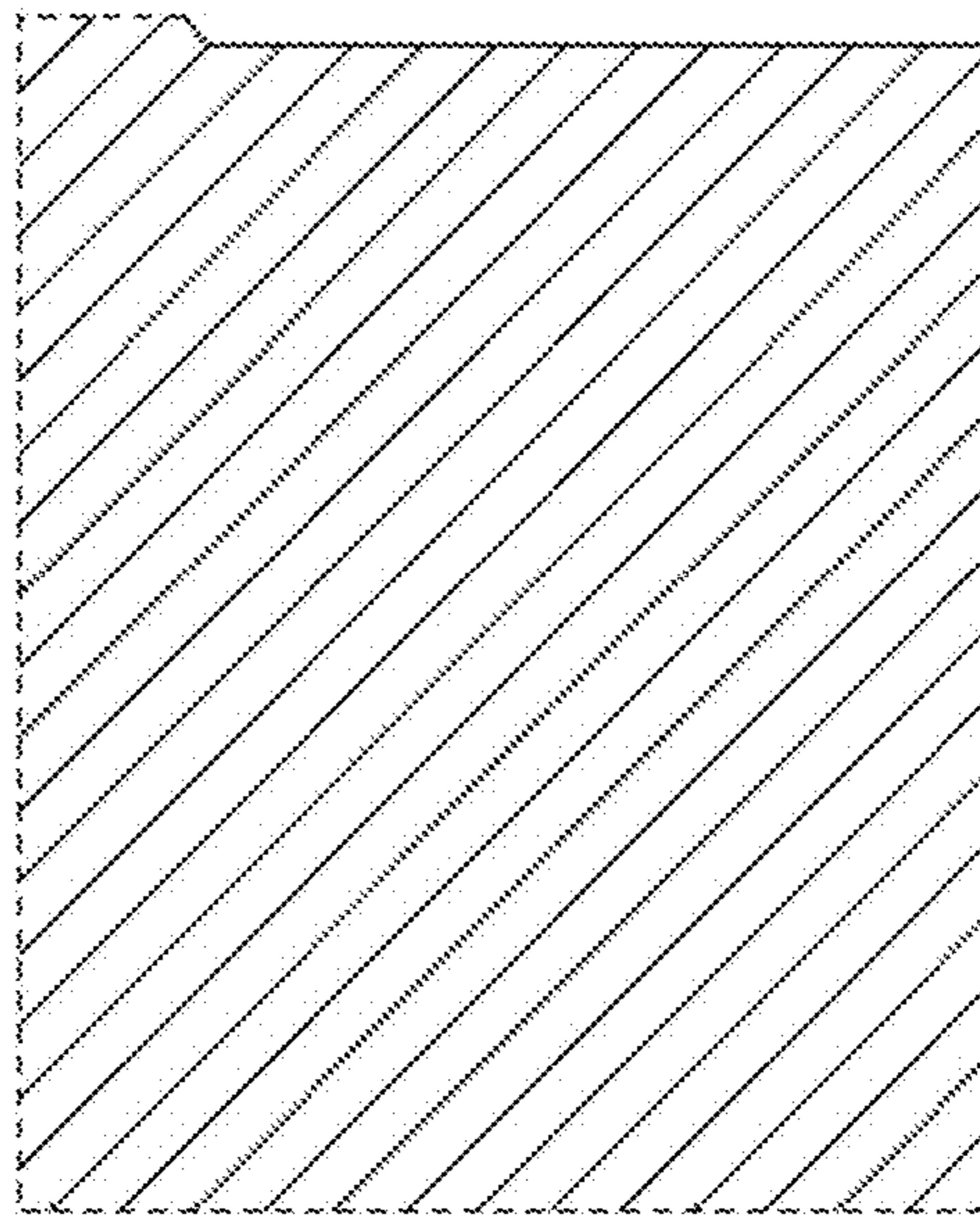
1.12



1.13



1.14



1.15

