



US00D854483S

(12) **United States Design Patent**
Guth et al.

(10) **Patent No.:** **US D854,483 S**

(45) **Date of Patent:** **** Jul. 23, 2019**

(54) **WHEEL OR WHEEL COVER**

(71) Applicant: **Daimler AG**, Stuttgart (DE)

(72) Inventors: **Patrick Guth**, Huefflenhard (DE); **Peter Riedel**, Holzgerlingen (DE)

(73) Assignee: **Daimler AG**, Stuttgart (DE)

(**) Term: **15 Years**

(21) Appl. No.: **29/629,904**

(22) Filed: **Dec. 18, 2017**

(30) **Foreign Application Priority Data**

Jun. 19, 2017 (WO) DM/096629

(51) **LOC (11) Cl.** **12-16**

(52) **U.S. Cl.**
USPC **D12/211**

(58) **Field of Classification Search**

USPC D12/204–213; D21/533, 561, 563

CPC B60B 7/00; B60B 7/02; B60B 7/04; B60B

7/06; B60B 3/02; B60B 3/04; B60B 3/06;

B60B 3/10; B60B 1/00; B60B 1/08;

B60B 1/10; B60B 1/12

See application file for complete search history.

(56) **References Cited**

U.S. PATENT DOCUMENTS

D630,564 S * 1/2011 Baum D12/209

D641,679 S * 7/2011 Vardis D12/211

D749,487 S * 2/2016 Mahoney D12/211

D778,801 S * 2/2017 Bucher D12/211

D794,529 S * 8/2017 Valencia Pollex D12/211

D805,457 S * 12/2017 Setter D12/211

D808,324 S * 1/2018 Ninov D12/211

D819,539 S * 6/2018 Badstuebner D12/211

D840,897 S * 2/2019 Aiba D12/209

* cited by examiner

Primary Examiner — Sheryl Lane

Assistant Examiner — Calvin E Vansant

(74) *Attorney, Agent, or Firm* — Crowell & Moring LLP

(57) **CLAIM**

The ornamental design for a wheel or wheel cover, as shown and described.

DESCRIPTION

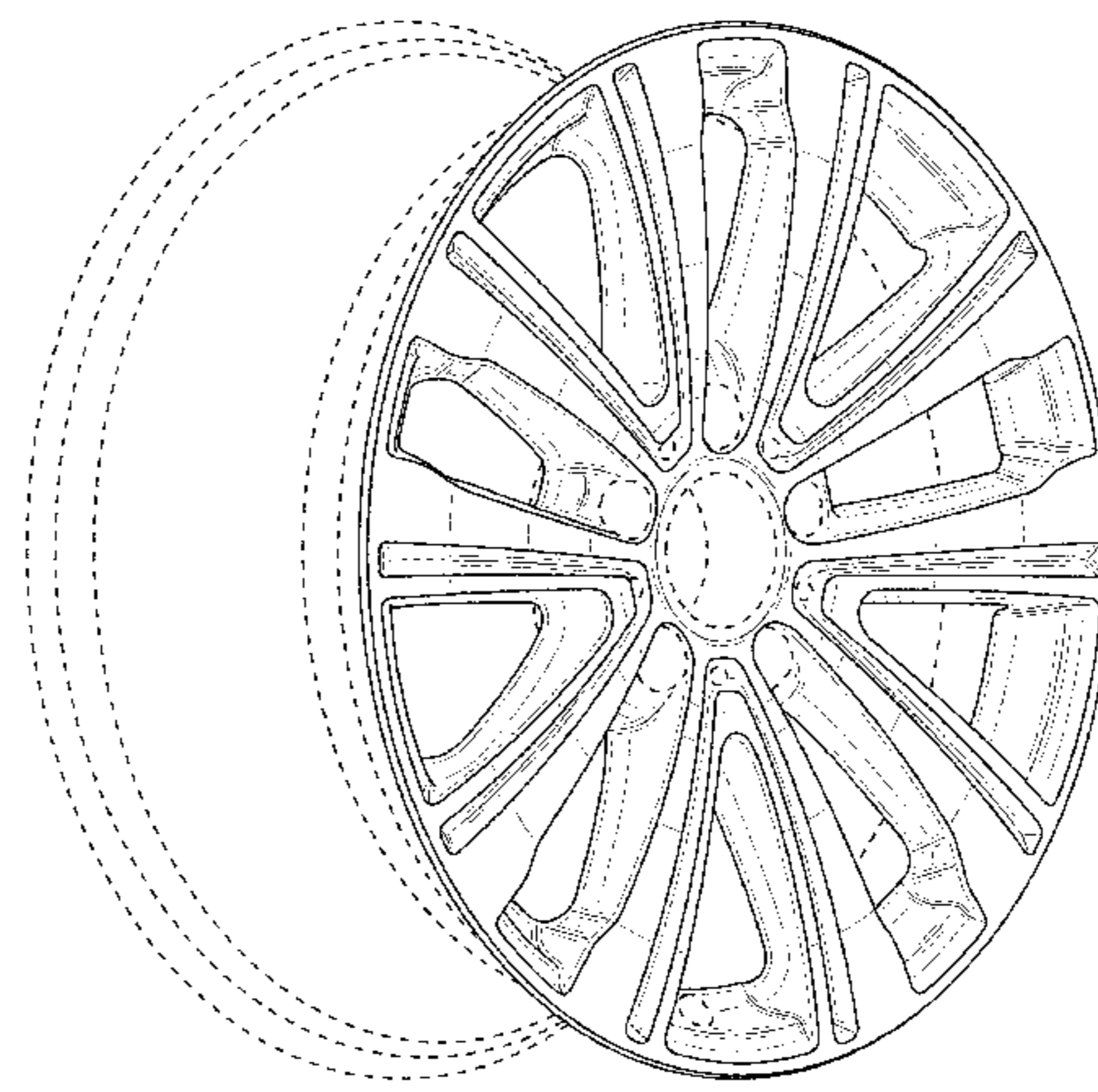
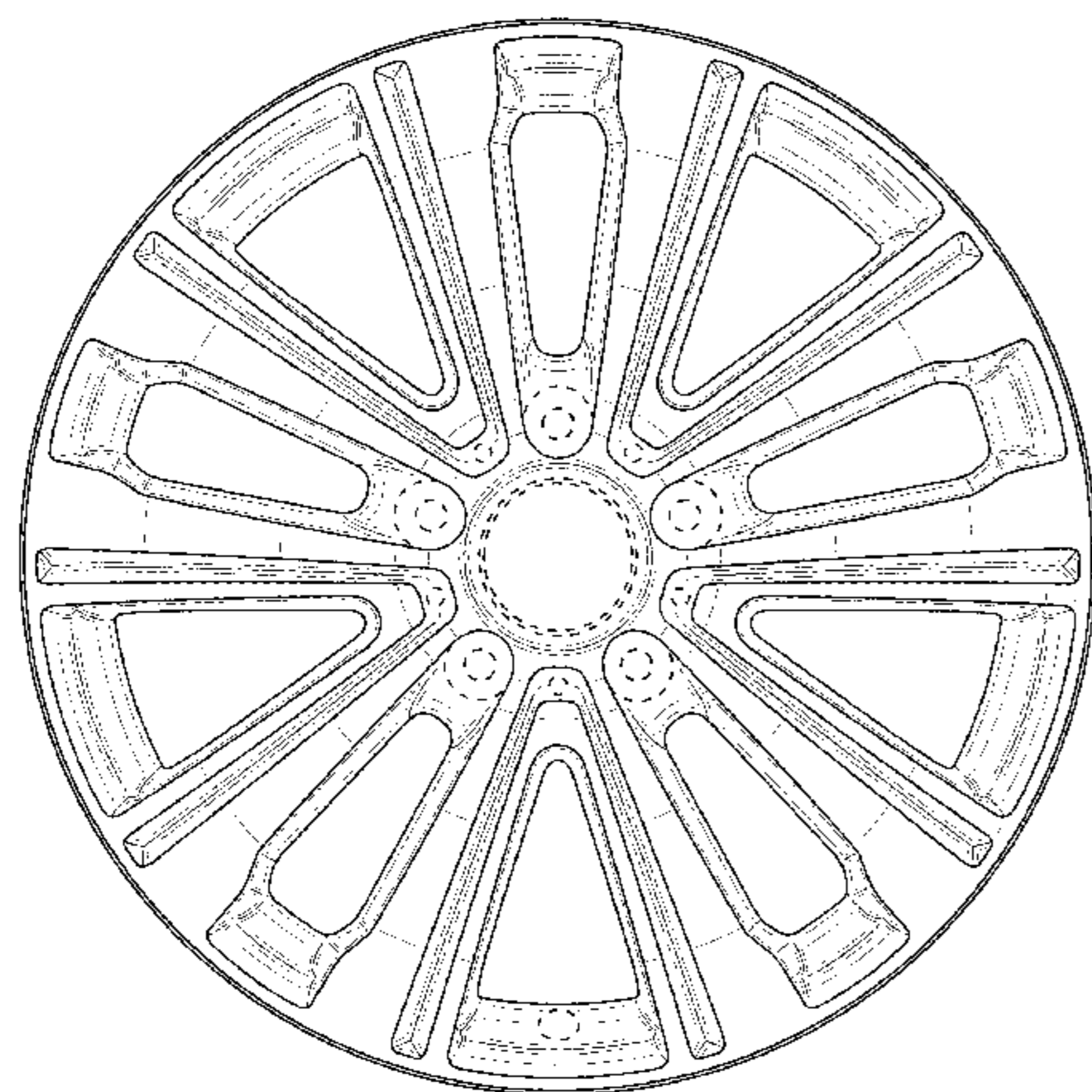
FIG. 1 is a front view of a first embodiment of a wheel or wheel cover according to the design; and,

FIG. 2 is a perspective view thereof.

The broken lines in the drawings illustrate environmental subject matter only and form no part of the claimed design.

Also enclosed is a set of photographs of an embodiment of the design.

1 Claim, 2 Drawing Sheets



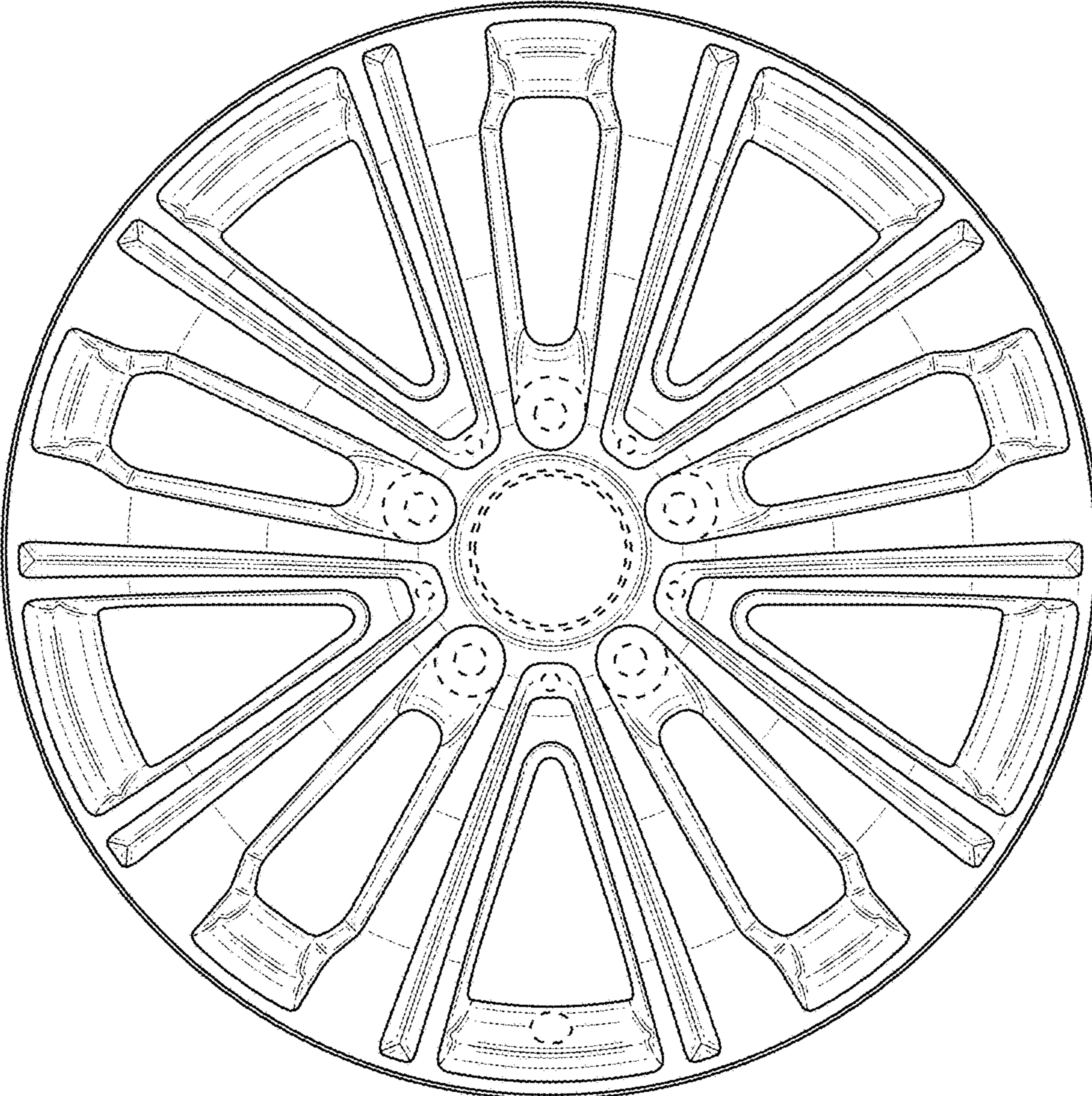


FIG. 1

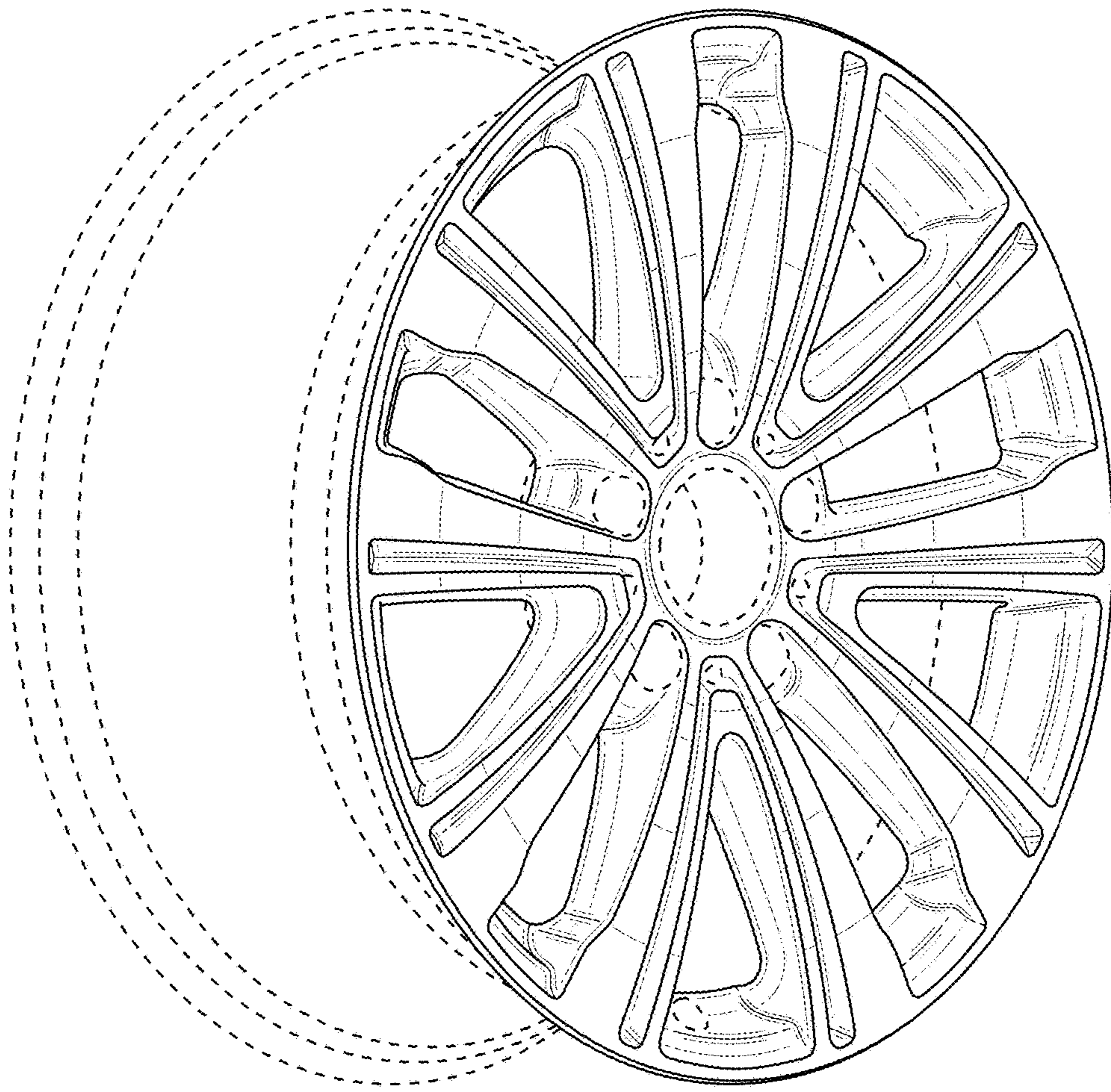


FIG. 2