



US00D854474S

(12) **United States Design Patent** (10) **Patent No.:** **US D854,474 S**
Grand (45) **Date of Patent:** **** Jul. 23, 2019**

(54) **VEHICLE BONNET VENT**

(71) Applicant: **Jaguar Land Rover Limited**, Whitley, Coventry (GB)

(72) Inventor: **Simon Grand**, Coventry (GB)

(73) Assignee: **Jaguar Land Rover Limited**, Whitley, Coventry (GB)

(**) Term: **15 Years**

(21) Appl. No.: **29/622,865**

(22) Filed: **Oct. 20, 2017**

(30) **Foreign Application Priority Data**

Feb. 21, 2017 (EM) 003866961

(51) **LOC (11) Cl.** **12-16**

(52) **U.S. Cl.**
USPC **D12/190**

(58) **Field of Classification Search**
USPC D12/190, 192, 400, 90, 91, 92, 199, 197,
D12/86, 171, 169, 163, 110, 114
CPC B60R 14/043; B60R 2013/0293; B60R
13/02; B60R 13/04

See application file for complete search history.

(56) **References Cited**

U.S. PATENT DOCUMENTS

D353,124 S	*	12/1994	Benningfield	D12/173
D391,909 S	*	3/1998	Wittine	D12/173
D457,471 S	*	5/2002	Simcox	D12/173
D464,006 S	*	10/2002	Hoyle, Jr.	D12/173
D475,333 S	*	6/2003	Chiang	D12/173
D497,854 S	*	11/2004	Chiang	D12/173
D502,128 S	*	2/2005	Chiang	D12/173
D506,713 S	*	6/2005	Chiang	D12/173

(Continued)

OTHER PUBLICATIONS

Jaguar F-Type All Wheel Drive Hydro-Dipped Carbon Fibre Look Bonnet Vents, Adamesh.co.uk, [online], [site visited Feb. 18, 2019]. <URL: https://www.adamesh.co.uk/jaguar-f-type-all-wheel-drive-hydro-dipped-carbon-fibre-look-bonnet-vents-6757-p.asp> (Year: 2019).*

(Continued)

Primary Examiner — T Chase Nelson

Assistant Examiner — Jonathan J. Han

(74) *Attorney, Agent, or Firm* — Wood Herron & Evans LLP

(57) **CLAIM**

The ornamental design for a vehicle bonnet vent, as shown and described.

DESCRIPTION

FIG. 1 is a front left perspective view of a vehicle bonnet vent according to the present invention.

FIG. 2 is a rear left perspective view of the vehicle bonnet vent shown in FIG. 1.

FIG. 3 is a front right bottom perspective view thereof.

FIG. 4 is a rear right bottom perspective view thereof.

FIG. 5 is a front view thereof.

FIG. 6 is a rear view thereof.

FIG. 7 is a side left view thereof.

FIG. 8 is a side right view thereof.

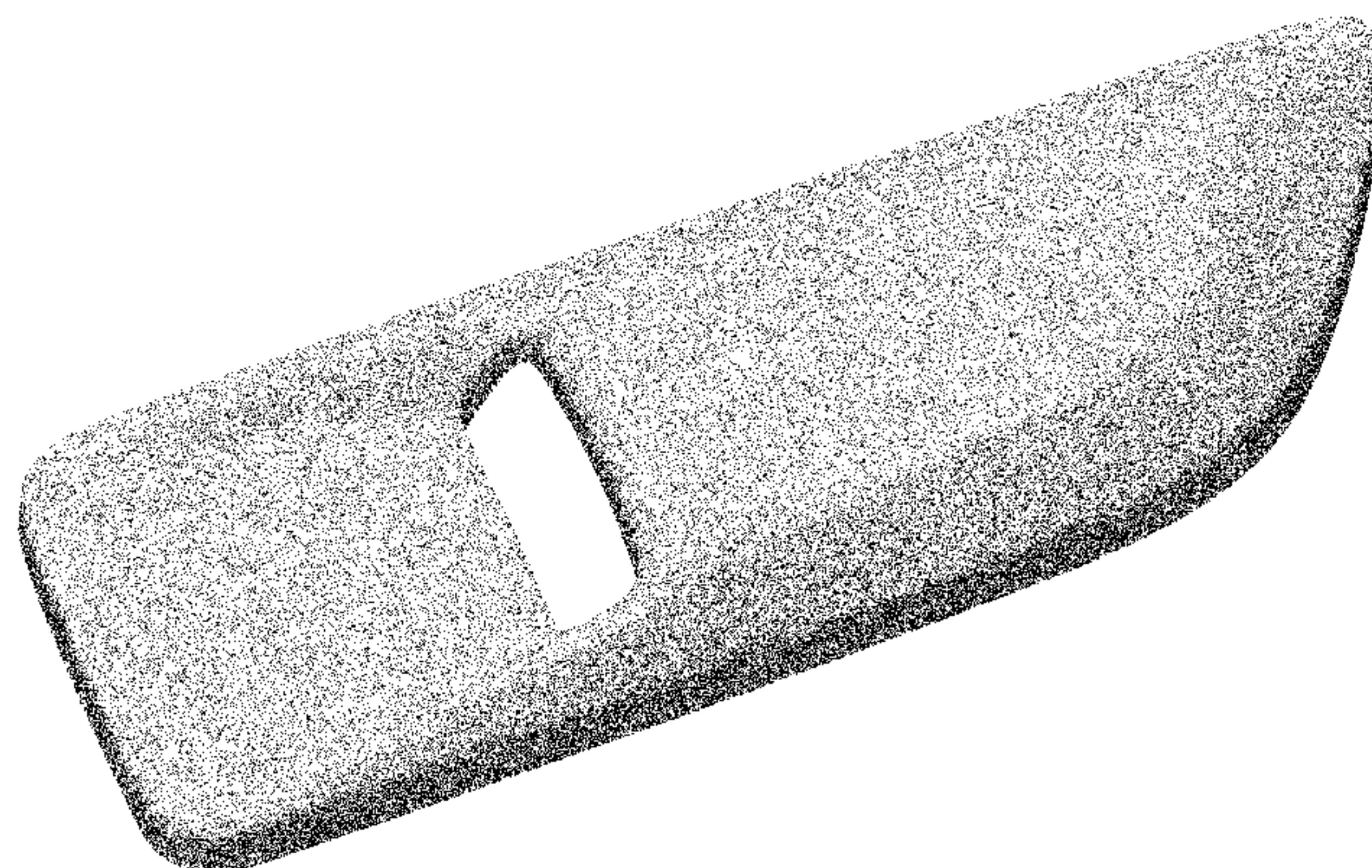
FIG. 9 is a top view thereof, viewed from above the left side of the vehicle.

FIG. 10 is a bottom view thereof; and,

FIG. 11 is a top view of the vehicle bonnet vent shown in FIGS. 1-10, but mounted on a vehicle, with the rest of the vehicle shown in de-emphasized and half-tone portions so as to illustrate environmental structure.

More particularly, in FIG. 11, the inventive vehicle bonnet vent is shown within the broken line, and the elements shown outside the broken line form no part of the claimed invention, but are instead included to show environmental aspects thereof.

1 Claim, 9 Drawing Sheets



(56)

References Cited

U.S. PATENT DOCUMENTS

D508,665 S * 8/2005 Chan D12/173
 D510,305 S * 10/2005 Chiang D12/173
 D512,004 S * 11/2005 Hutchins D12/173
 D514,483 S * 2/2006 Chiang D12/173
 D528,482 S * 9/2006 Hamburger D12/181
 D545,252 S * 6/2007 Chiang D12/173
 D548,152 S * 8/2007 Chiang D12/173
 D575,699 S * 8/2008 Chiang D12/173
 D623,570 S * 9/2010 Hamburger D12/173
 D685,691 S * 7/2013 Messale D12/163
 D694,159 S * 11/2013 Jung D12/173
 D702,163 S * 4/2014 Campbell D12/173
 D718,684 S * 12/2014 Thole D12/173
 D726,080 S * 4/2015 Mays D12/173
 D735,625 S * 8/2015 Mays D12/173
 D748,548 S * 2/2016 Battams D12/190
 D758,931 S * 6/2016 Jelec D12/173
 D788,659 S * 6/2017 Jelec D12/163

D795,765 S * 8/2017 Rolfs D12/173
 D823,196 S * 7/2018 Behmer D12/173
 D827,532 S * 9/2018 Maher D12/190
 D830,258 S * 10/2018 Moffett D12/181
 D835,551 S * 12/2018 DiCanzio D12/173

OTHER PUBLICATIONS

Jaguar F-Type 400 Sport 2017 review, Autocar.co.uk, by Steve Cropley, Jul. 12, 2017, [online], [site visited Feb. 18, 2019]. <URL: <https://www.autocar.co.uk/car-review/jaguar/f-type/first-drives/jaguar-f-type-400-sport-2017-review>> (Year: 2017).*

Air Intakes 2x 250x150 Astra GTE Cut-In-ABS, Body-Kit.co.uk, [online], [site visited Feb. 18, 2019]. <URL: <https://www.body-kit.co.uk/product.php/1043/3466/air-intakes-2x-250x150-astra-gte-cut-in-abs>> (Year: 2019).*

VIP Design: Jaguar F-Type 600Rx., VIP_Design.London, [online], [site visited Feb. 18, 2019]. <URL: <https://www.vip-design.london/product/jaguar-f-type-engine-tuning-2/>> (Year: 2019).*

* cited by examiner



FIG. 1

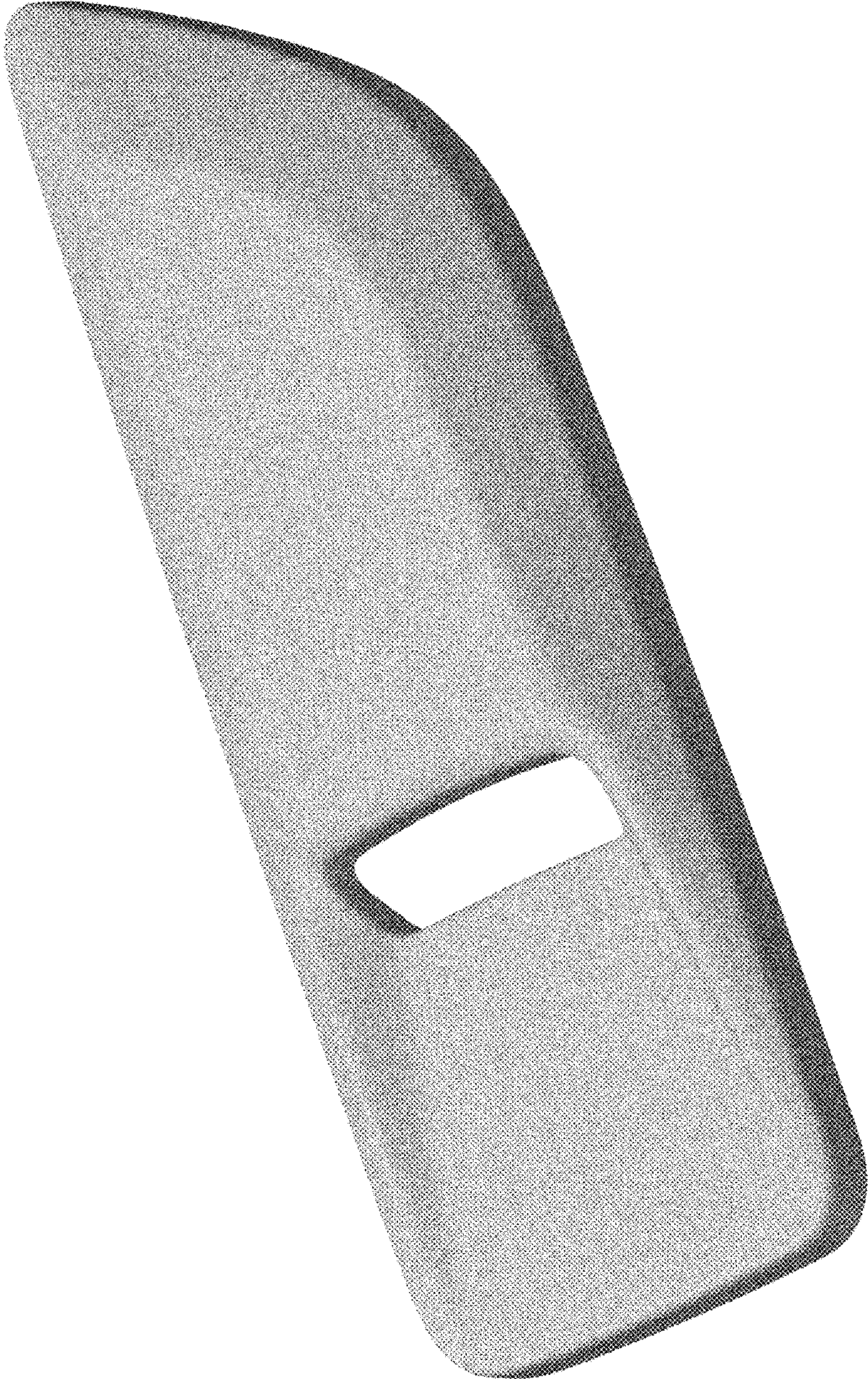


FIG. 2

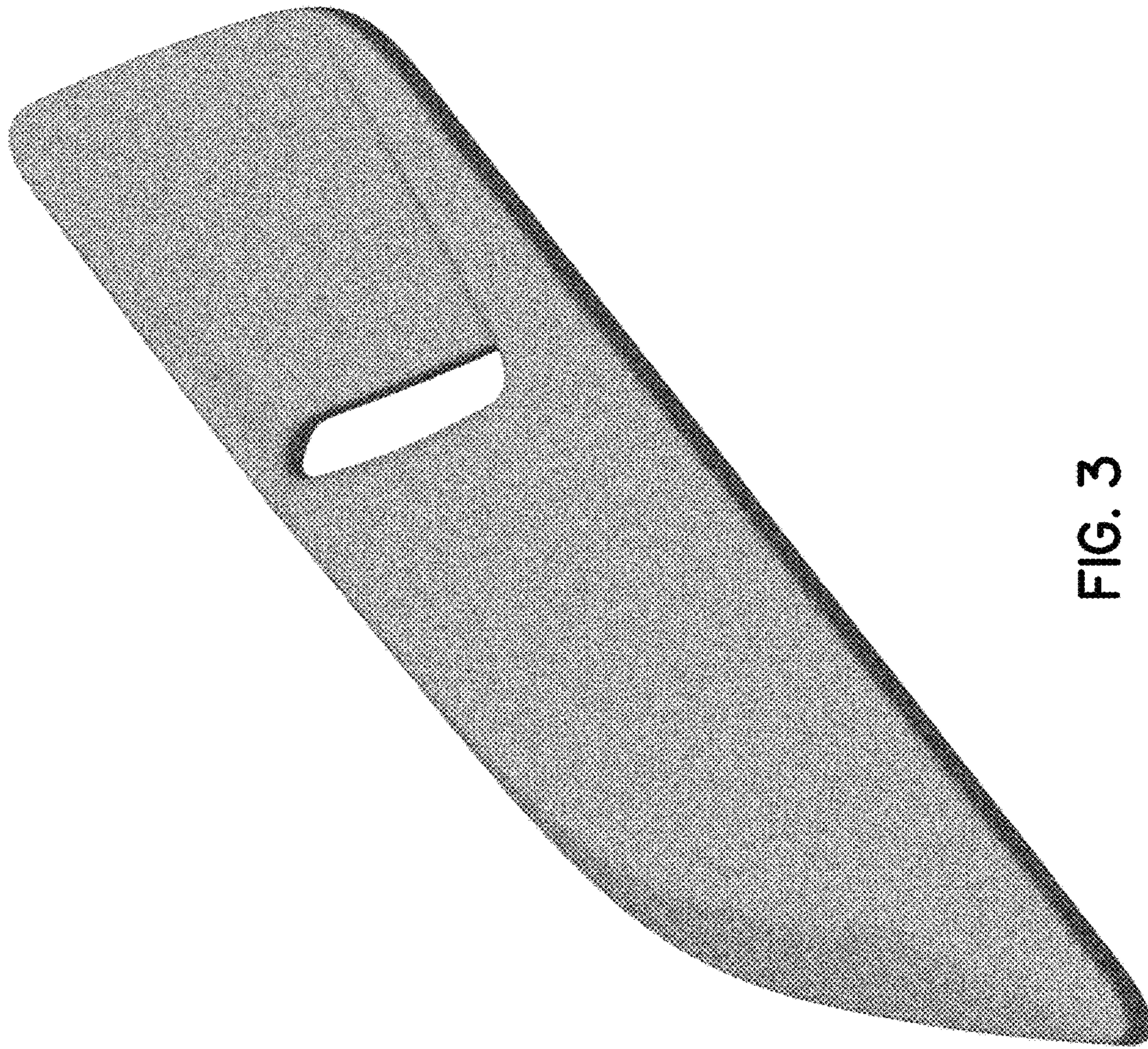


FIG. 3

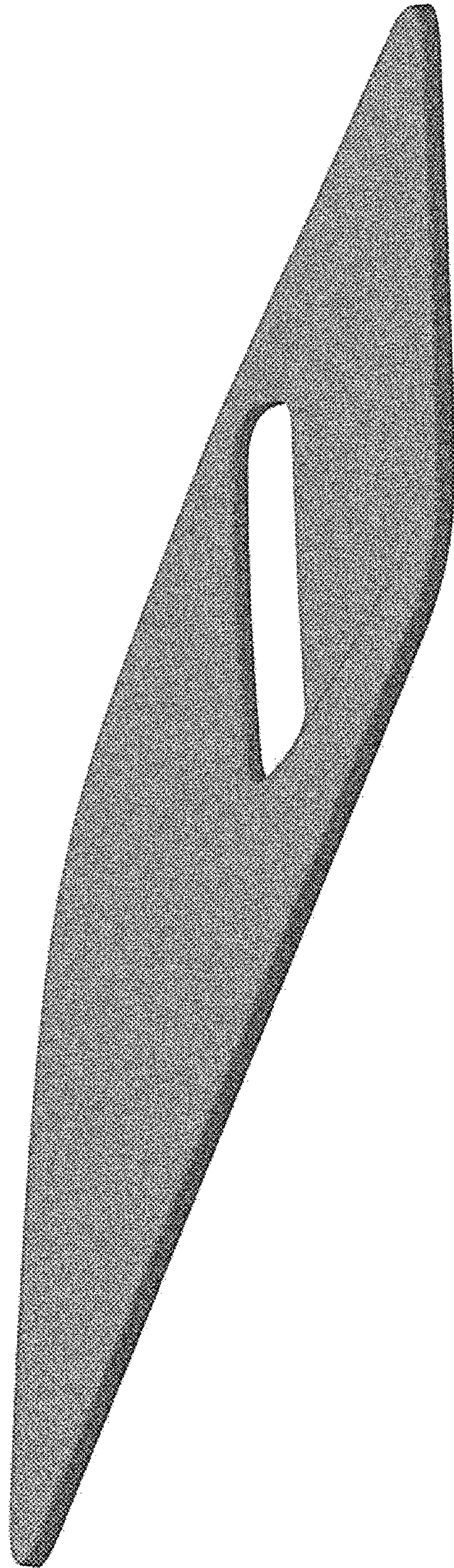


FIG. 4

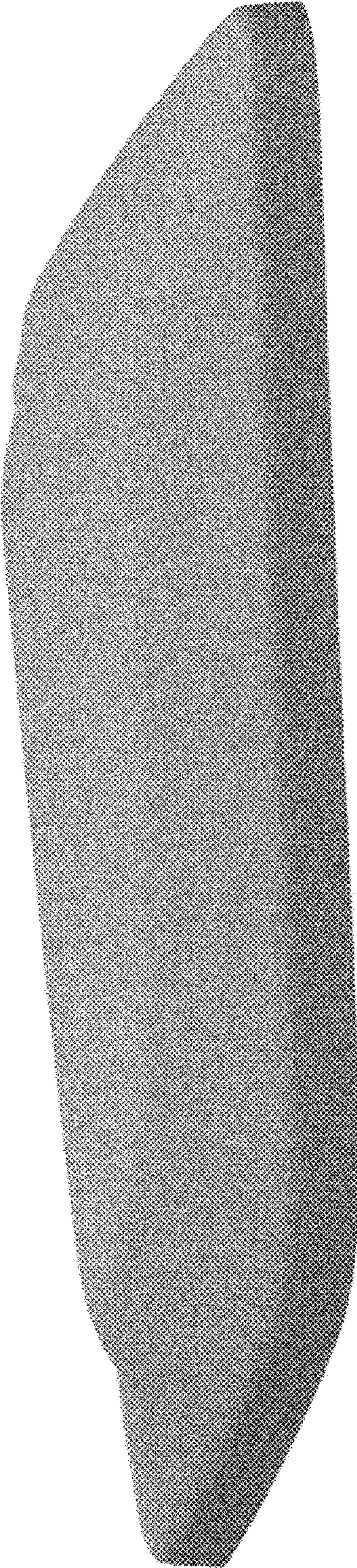


FIG. 5

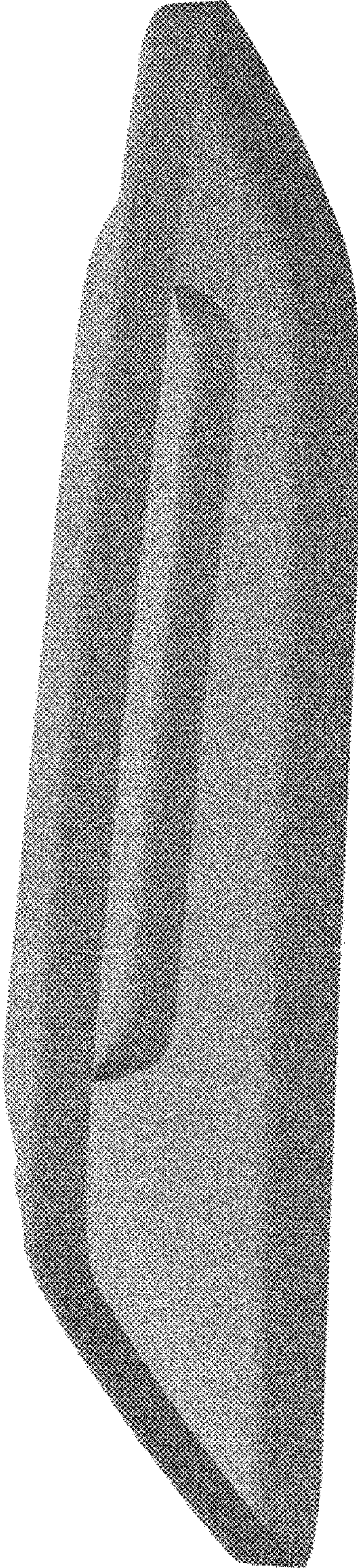


FIG. 6

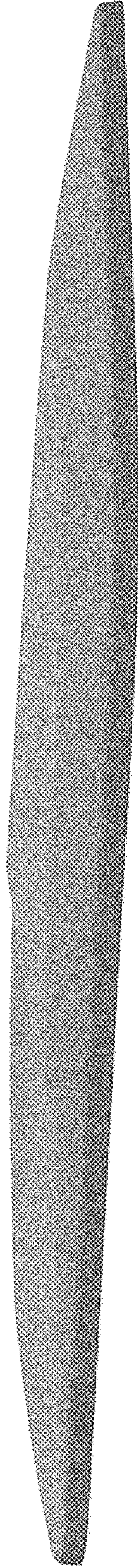


FIG. 7

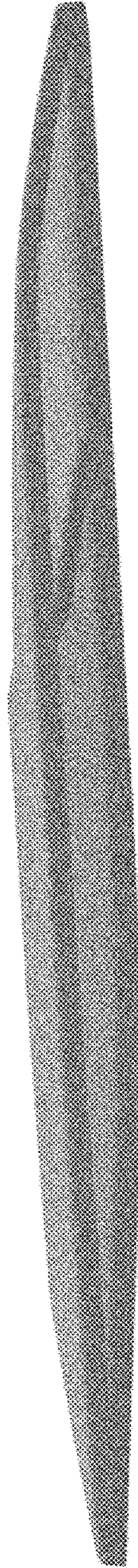


FIG. 8

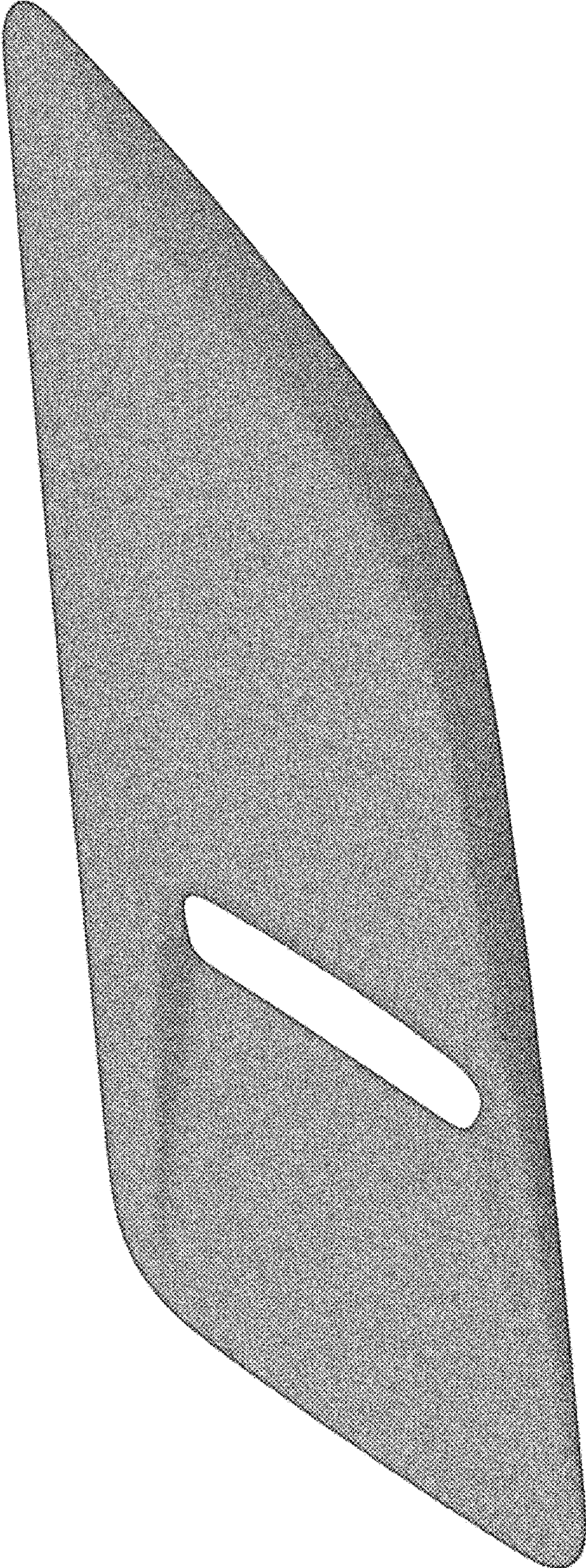


FIG. 9

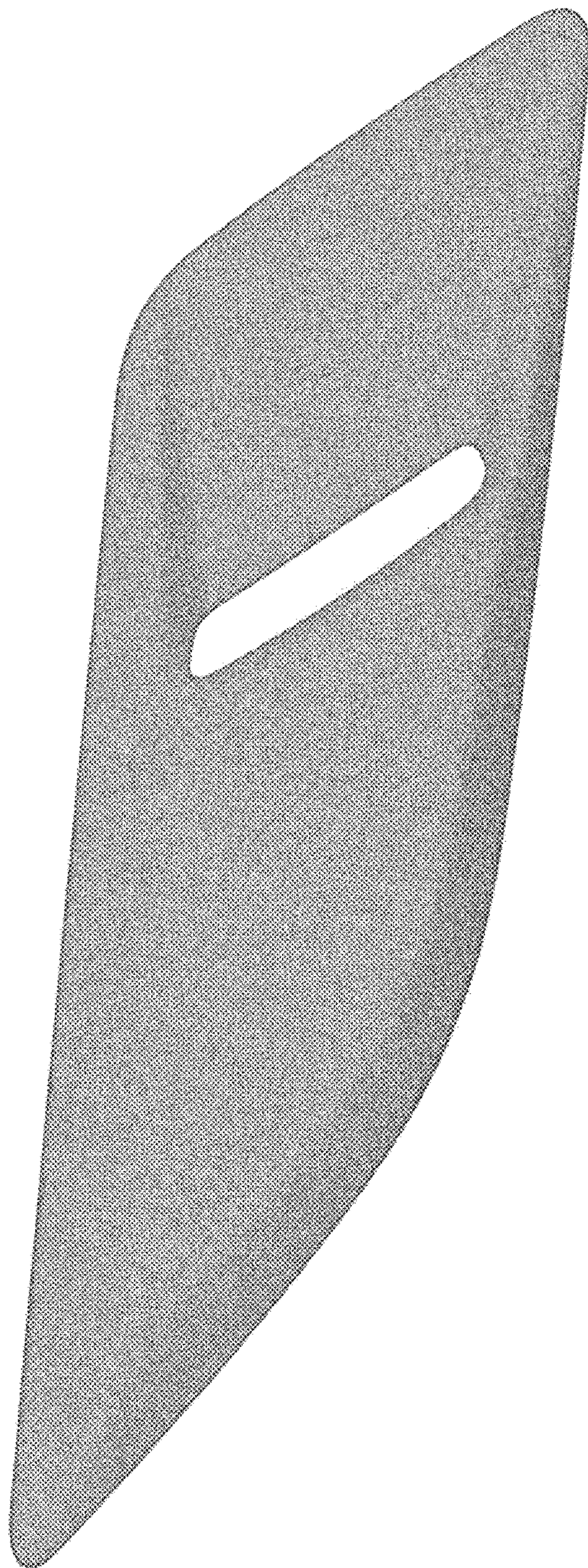


FIG. 10

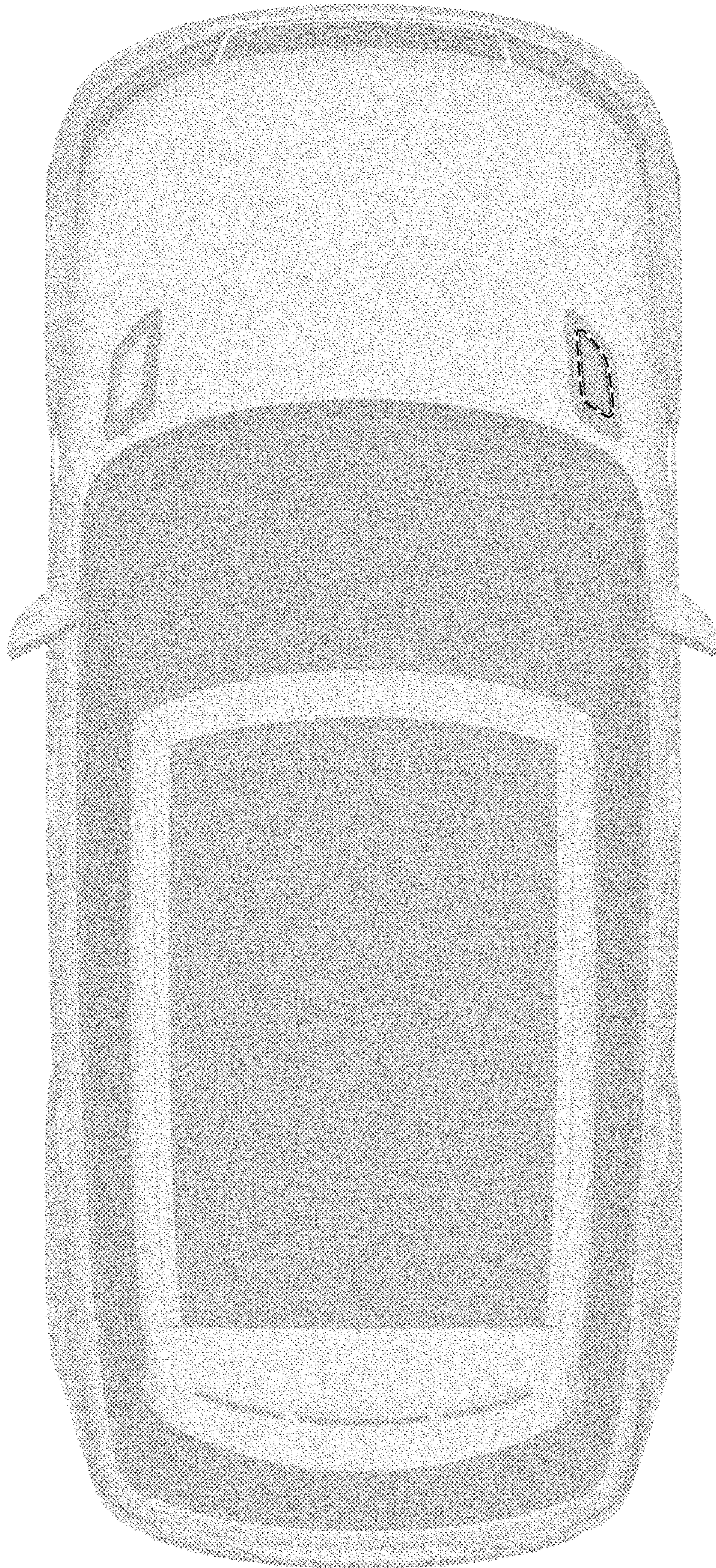


FIG. 11