



US00D854473S

(12) **United States Design Patent** (10) **Patent No.:** **US D854,473 S**
Hamlin et al. (45) **Date of Patent:** **** Jul. 23, 2019**

(54) **REARVIEW ASSEMBLY**

FOREIGN PATENT DOCUMENTS

(71) Applicant: **Gentex Corporation**, Zeeland, MI (US)

DE 102010064082 A1 6/2012
EP 0513476 11/1992

(72) Inventors: **Bradley R. Hamlin**, Allendale, MI (US); **Nigel T. Lock**, Holland, MI (US); **John B. Ostreko**, Hudsonville, MI (US)

(Continued)

(73) Assignee: **GENTEX CORPORATION**, Zeeland, MI (US)

OTHER PUBLICATIONS

Federal Institute of Industrial Property, "International Search Report and the Written Opinion of the International Searching Authority," dated Mar. 16, 2017 (9 pages).

(Continued)

(**) Term: **15 Years**

Primary Examiner — Katrina A Betton

(21) Appl. No.: **29/587,993**

(74) *Attorney, Agent, or Firm* — Price Heneveld LLP; Bradley D. Johnson

(22) Filed: **Dec. 16, 2016**

(57) **CLAIM**

(51) **LOC (11) Cl.** **12-16**

We claim the ornamental design for a rearview assembly, as shown and described.

(52) **U.S. Cl.**

USPC **D12/187**

DESCRIPTION

(58) **Field of Classification Search**

USPC D12/187, 188–189; D6/300, 309
CPC .. G02B 7/182; G02B 7/18; G02B 5/08; B60R 1/076

See application file for complete search history.

FIG. 1 is a front perspective view of a rearview assembly of the present disclosure;

FIG. 2 is a rear perspective view of the rearview assembly of FIG. 1;

FIG. 3 is a front elevational view of the rearview assembly of FIG. 1;

FIG. 4 is a rear elevational view of the rearview assembly of FIG. 1;

FIG. 5 is a first side elevational view of the rearview assembly of FIG. 1;

FIG. 6 is a second side elevational view of the rearview assembly of FIG. 1;

FIG. 7 is a top plan view of the rearview assembly of FIG. 1; and,

FIG. 8 is a bottom plan view of the rearview assembly of FIG. 1.

In the drawings, the broken lines depict portions of the article that form no part of the claimed design.

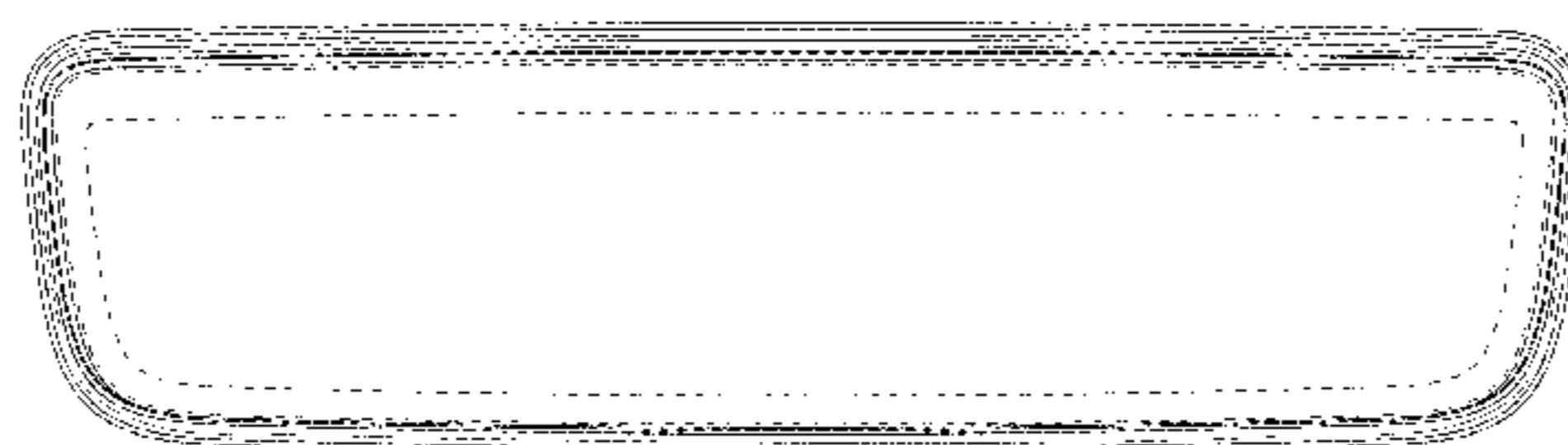
(56) **References Cited**

U.S. PATENT DOCUMENTS

2,131,888	A	10/1938	Harris
2,632,040	A	3/1953	Rabinow
2,827,594	A	3/1958	Rabinow
3,179,845	A	4/1965	Kulwiec
3,280,701	A	10/1966	Donnelly et al.
3,581,276	A	5/1971	Newman
3,663,819	A	5/1972	Hicks et al.
3,837,129	A	9/1974	Losell
4,109,235	A	8/1978	Bouthors
4,139,801	A	2/1979	Linares
4,151,526	A	4/1979	Hinachi et al.
4,214,266	A	7/1980	Myers

(Continued)

1 Claim, 6 Drawing Sheets



(56)

References Cited

U.S. PATENT DOCUMENTS

4,236,099 A	11/1980	Rosenblum	5,414,461 A	5/1995	Kishi et al.
4,257,703 A	3/1981	Goodrich	5,416,318 A	5/1995	Hegy
4,258,979 A	3/1981	Mahin	5,418,610 A	5/1995	Fischer
4,277,804 A	7/1981	Robison	5,421,940 A	6/1995	Cornils et al.
4,286,308 A	8/1981	Wolff	5,424,952 A	6/1995	Asayama
4,310,851 A	1/1982	Pierrat	5,426,294 A	6/1995	Kobayashi et al.
4,357,558 A	11/1982	Massoni et al.	5,428,464 A	6/1995	Silverbrook
4,376,909 A	3/1983	Tagami et al.	5,430,450 A	7/1995	Holmes
4,479,173 A	10/1984	Rumpakis	5,434,407 A	7/1995	Bauer et al.
4,499,451 A	2/1985	Suzuki et al.	5,448,397 A	9/1995	Tonar
D283,998 S	5/1986	Tanaka	5,451,822 A	9/1995	Bechtel et al.
4,599,544 A	7/1986	Martin	5,452,004 A	9/1995	Roberts
4,630,904 A	12/1986	Pastore	5,469,298 A	11/1995	Suman et al.
4,638,287 A	1/1987	Umebayashi et al.	5,471,515 A	11/1995	Fossum et al.
4,645,975 A	2/1987	Meitzler et al.	5,475,441 A	12/1995	Parulski et al.
4,665,321 A	5/1987	Chang et al.	5,475,494 A	12/1995	Nishida et al.
4,665,430 A	5/1987	Hiroyasu	5,481,268 A	1/1996	Higgins
4,692,798 A	9/1987	Seko et al.	5,483,346 A	1/1996	Butzer
4,716,298 A	12/1987	Etoh	5,483,453 A	1/1996	Uemura et al.
4,727,290 A	2/1988	Smith et al.	5,485,155 A	1/1996	Hibino
4,740,838 A	4/1988	Mase et al.	5,485,378 A	1/1996	Franke et al.
4,768,135 A	8/1988	Kretschmer et al.	5,488,496 A	1/1996	Pine
4,862,037 A	8/1989	Farber et al.	5,508,592 A	4/1996	Lapatovich et al.
4,891,559 A	1/1990	Matsumoto et al.	5,515,448 A	5/1996	Nishitani
4,902,108 A	2/1990	Byker	5,523,811 A	6/1996	Wada et al.
4,910,591 A	3/1990	Petrossian et al.	5,530,421 A	6/1996	Marshall et al.
4,930,742 A	6/1990	Schofield et al.	5,535,144 A	7/1996	Kise
4,934,273 A	6/1990	Endriz	5,537,003 A	7/1996	Bechtel et al.
4,967,319 A	10/1990	Seko	5,541,590 A	7/1996	Nishio
5,005,213 A	4/1991	Hanson et al.	5,541,724 A	7/1996	Hoashi
5,008,946 A	4/1991	Ando	5,550,677 A	8/1996	Schofield et al.
5,027,200 A	6/1991	Petrossian et al.	5,554,912 A	9/1996	Thayer et al.
5,036,437 A	7/1991	Macks	5,574,443 A	11/1996	Hsieh
5,052,163 A	10/1991	Czekala	5,574,463 A	11/1996	Shirai et al.
5,066,112 A	11/1991	Lynam et al.	5,576,975 A	11/1996	Sasaki et al.
5,069,535 A	12/1991	Baucke et al.	5,587,929 A	12/1996	League et al.
5,072,154 A	12/1991	Chen	5,592,146 A	1/1997	Kover, Jr. et al.
5,073,012 A	12/1991	Lynam	5,602,542 A	2/1997	Windmann et al.
5,076,673 A	12/1991	Lynam et al.	5,614,788 A	3/1997	Mullins et al.
5,086,253 A	2/1992	Lawler	5,615,023 A	3/1997	Yang
5,096,287 A	3/1992	Kakinami et al.	5,617,085 A	4/1997	Tsutsumi et al.
5,115,346 A	5/1992	Lynam	5,621,460 A	4/1997	Hatlestad et al.
5,121,200 A	6/1992	Choi et al.	5,634,709 A	6/1997	Iwama
5,124,549 A	6/1992	Michaels et al.	5,642,238 A	6/1997	Sala
5,128,799 A	7/1992	Byker	5,646,614 A	7/1997	Abersfelder et al.
5,151,824 A	9/1992	O'Farrell	5,649,756 A	7/1997	Adams et al.
5,158,638 A	10/1992	Osanami et al.	5,650,765 A	7/1997	Park
5,166,681 A	11/1992	Bottesch et al.	5,660,454 A	8/1997	Mori et al.
5,182,502 A	1/1993	Slotkowski et al.	5,666,028 A	9/1997	Bechtel et al.
5,187,383 A	2/1993	Taccetta et al.	5,670,935 A	9/1997	Schofield et al.
5,197,562 A	3/1993	Kakinami et al.	5,679,283 A	10/1997	Tonar
5,230,400 A	7/1993	Kakainami et al.	5,680,123 A	10/1997	Lee
5,235,178 A	8/1993	Hegy	5,682,267 A	10/1997	Tonar
5,243,417 A	9/1993	Pollard	5,684,473 A	11/1997	Hibino et al.
5,253,109 A	10/1993	O'Farrell et al.	5,689,370 A	11/1997	Tonar
5,278,693 A	1/1994	Theiste	5,707,129 A	1/1998	Kobayashi
5,280,380 A	1/1994	Byker	5,708,410 A	1/1998	Blank et al.
5,282,077 A	1/1994	Byker	5,708,857 A	1/1998	Ishibashi
5,289,321 A	2/1994	Secor	5,710,565 A	1/1998	Shirai et al.
5,294,376 A	3/1994	Byker	5,714,751 A	2/1998	Chen
5,296,924 A	3/1994	Blancard et al.	5,715,093 A	2/1998	Schierbeek et al.
D346,356 S	4/1994	Leu	5,729,194 A	3/1998	Spears et al.
5,304,980 A	4/1994	Maekawa	5,736,816 A	4/1998	Strenke et al.
5,329,206 A	7/1994	Slotkowski et al.	5,742,026 A	4/1998	Dickinson
5,336,448 A	8/1994	Byker	5,745,050 A	4/1998	Nakagawa
5,347,261 A	9/1994	Adell	5,751,211 A	5/1998	Shirai et al.
5,347,459 A	9/1994	Greenspan et al.	5,751,832 A	5/1998	Panter et al.
5,355,146 A	10/1994	Chiu et al.	5,754,099 A	5/1998	Nishimura et al.
5,379,104 A	1/1995	Takao	5,760,828 A	6/1998	Cortes
5,379,146 A	1/1995	Defendini	5,764,139 A	6/1998	Nojima et al.
5,381,309 A	1/1995	Borchardt	5,767,793 A	6/1998	Agravante et al.
5,386,285 A	1/1995	Asayama	5,781,105 A	7/1998	Bitar et al.
5,396,054 A	3/1995	Krichever et al.	5,786,787 A	7/1998	Eriksson et al.
5,402,170 A	3/1995	Parulski et al.	5,790,298 A	8/1998	Tonar
5,408,357 A	4/1995	Beukema	5,793,308 A	8/1998	Rosinski et al.
			5,793,420 A	8/1998	Schmidt
			5,796,094 A	8/1998	Schofield et al.
			5,798,727 A	8/1998	Shirai et al.
			5,803,579 A	9/1998	Turnbull

(56)

References Cited

U.S. PATENT DOCUMENTS

5,808,778 A	9/1998	Bauer et al.	6,157,294 A	12/2000	Urai et al.
5,811,888 A	9/1998	Hsieh	6,166,629 A	12/2000	Andreas
5,812,321 A	9/1998	Schierbeek et al.	6,166,698 A	12/2000	Turnbull et al.
5,818,625 A	10/1998	Forgette et al.	6,166,848 A	12/2000	Cammenga et al.
5,825,527 A	10/1998	Forgette et al.	6,167,755 B1	1/2001	Damson et al.
D400,481 S	11/1998	Stephens et al.	6,170,956 B1	1/2001	Rumsey et al.
D401,200 S	11/1998	Huang	6,172,600 B1	1/2001	Kakinami et al.
5,837,994 A	11/1998	Stam	6,172,601 B1	1/2001	Wada et al.
5,841,126 A	11/1998	Fossum et al.	6,175,300 B1	1/2001	Kendrick
5,844,505 A	12/1998	Van Ryzin	6,181,242 B1	1/2001	Nguyen
5,845,000 A	12/1998	Breed et al.	6,184,781 B1	2/2001	Ramakesavan
5,850,176 A	12/1998	Kinoshita et al.	6,185,492 B1	2/2001	Kagawa et al.
5,867,214 A	2/1999	Anderson et al.	6,188,505 B1	2/2001	Lomprey
5,877,897 A	3/1999	Schofield et al.	6,191,704 B1	2/2001	Takenaga et al.
5,883,739 A	3/1999	Ashihara et al.	6,193,378 B1	2/2001	Tonar et al.
5,888,431 A	3/1999	Tonar et al.	6,193,912 B1	2/2001	Theiste
5,896,119 A	4/1999	Evanicky et al.	6,195,194 B1	2/2001	Roberts et al.
5,904,729 A	5/1999	Ruzicka	6,200,010 B1	3/2001	Anders
5,905,457 A	5/1999	Rashid	6,218,934 B1	4/2001	Regan
D410,607 S	6/1999	Carter	6,222,177 B1	4/2001	Bechtel
5,912,534 A	6/1999	Benedict	6,222,447 B1	4/2001	Schofield et al.
5,923,027 A	7/1999	Stam	6,224,716 B1	5/2001	Yoder
5,923,457 A	7/1999	Byker et al.	6,229,435 B1	5/2001	Knapp
5,928,572 A	7/1999	Tonar et al.	6,239,898 B1	5/2001	Byker
5,935,613 A	8/1999	Benham et al.	6,239,899 B1	5/2001	Devries et al.
5,940,011 A	8/1999	Agravante et al.	6,244,716 B1	6/2001	Steenwyk
5,940,201 A	8/1999	Ash et al.	6,246,507 B1	6/2001	Bauer
5,942,853 A	8/1999	Piscart	6,247,819 B1	6/2001	Turnbull
5,949,331 A	9/1999	Schofield et al.	6,249,214 B1	6/2001	Kashiwazaki
5,956,012 A	9/1999	Turnbull et al.	6,249,369 B1	6/2001	Theiste et al.
5,956,079 A	9/1999	Ridgley	6,250,766 B1	6/2001	Strumolo et al.
5,956,181 A	9/1999	Lin	6,255,639 B1	7/2001	Stam
5,959,555 A	9/1999	Furuta	6,259,475 B1	7/2001	Ramachandran et al.
5,990,469 A	11/1999	Bechtel	6,262,831 B1	7/2001	Bauer
5,998,617 A	12/1999	Srinivasa	6,262,832 B1	7/2001	Lomprey
6,002,511 A	12/1999	Varaprasad	6,265,968 B1	7/2001	Betzitza et al.
6,008,486 A	12/1999	Stam	6,268,803 B1	7/2001	Gunderson et al.
6,009,359 A	12/1999	El-Hakim et al.	6,268,950 B1	7/2001	Ash
6,018,308 A	1/2000	Shirai	6,269,308 B1	7/2001	Kodaka et al.
6,020,987 A	2/2000	Baumann	6,281,632 B1	8/2001	Stam
6,023,040 A	2/2000	Zahavi	6,281,804 B1	8/2001	Haller et al.
6,023,229 A	2/2000	Bugno et al.	6,289,332 B2	9/2001	Menig et al.
6,025,872 A	2/2000	Ozaki et al.	6,291,812 B1	9/2001	Bechtel
6,037,471 A	3/2000	Srinivasa	6,300,879 B1	10/2001	Regan et al.
6,043,452 A	3/2000	Bestenlehrer	6,304,173 B2	10/2001	Pala et al.
6,046,766 A	4/2000	Sakata	6,313,457 B1	11/2001	Bauer
6,049,171 A	4/2000	Stam	6,313,892 B2	11/2001	Gleckman
6,051,956 A	4/2000	Nakashimo	6,317,057 B1	11/2001	Lee
6,060,989 A	5/2000	Gehlot	6,317,248 B1	11/2001	Agrawal et al.
6,061,002 A	5/2000	Weber et al.	6,320,612 B1	11/2001	Young
6,062,920 A	5/2000	Jordan	6,324,295 B1	11/2001	Avionique et al.
6,064,508 A	5/2000	Forgette et al.	D451,869 S	12/2001	Knapp et al.
6,064,509 A	5/2000	Tonar et al.	6,329,925 B1	12/2001	Skiver et al.
6,067,111 A	5/2000	Hahn et al.	6,330,511 B2	12/2001	Ogura et al.
6,068,380 A	5/2000	Lynn et al.	6,335,548 B1	1/2002	Roberts
6,072,391 A	6/2000	Suzuki et al.	6,335,680 B1	1/2002	Matsuoka
6,078,355 A	6/2000	Zengel	6,344,805 B1	2/2002	Yasui et al.
6,084,700 A	7/2000	Knapp	6,348,858 B2	2/2002	Weis et al.
6,097,023 A	8/2000	Schofield et al.	6,349,782 B1	2/2002	Sekiya et al.
6,102,546 A	8/2000	Carter	6,356,206 B1	3/2002	Takenaga et al.
6,106,121 A	8/2000	Buckley et al.	6,356,376 B1	3/2002	Tonar
6,111,498 A	8/2000	Jobes et al.	6,357,883 B1	3/2002	Strumolo et al.
6,111,683 A	8/2000	Cammenga	6,359,274 B1	3/2002	Nixon
6,111,684 A	8/2000	Forgette	6,363,326 B1	3/2002	Scully
6,115,651 A	9/2000	Cruz	6,369,701 B1	4/2002	Yoshida et al.
6,122,597 A	9/2000	Saneyoshi et al.	6,379,013 B1	4/2002	Bechtel
6,128,576 A	10/2000	Nishimoto et al.	6,392,783 B1	5/2002	Lomprey
6,130,421 A	10/2000	Bechtel	6,396,040 B1	5/2002	Hill
6,130,448 A	10/2000	Bauer et al.	6,396,397 B1	5/2002	Bos et al.
6,132,072 A	10/2000	Turnbull	6,402,328 B1	6/2002	Bechtel
6,140,933 A	10/2000	Bugno	6,403,942 B1	6/2002	Stam
6,144,158 A	11/2000	Beam	6,407,468 B1	6/2002	LeVesque et al.
6,151,065 A	11/2000	Steed et al.	6,407,847 B1	6/2002	Poll et al.
6,151,539 A	11/2000	Bergholz et al.	6,408,247 B1	6/2002	Ichikawa et al.
6,154,149 A	11/2000	Tychkowski et al.	6,412,959 B1	7/2002	Tseng
			6,415,230 B1	7/2002	Maruko et al.
			6,420,800 B1	7/2002	Levesque
			6,421,081 B1	7/2002	Markus
			6,424,272 B1	7/2002	Gutta et al.

(56)

References Cited

U.S. PATENT DOCUMENTS

6,424,273	B1	7/2002	Gutta et al.	6,642,840	B2	11/2003	Lang et al.
6,424,892	B1	7/2002	Matsuoka	6,642,851	B2	11/2003	Deline et al.
6,426,485	B1	7/2002	Buljajewski	6,648,477	B2	11/2003	Hutzel et al.
6,428,172	B1	8/2002	Hutzel et al.	6,650,457	B2	11/2003	Busscher et al.
6,429,594	B1	8/2002	Stam	6,657,767	B2	12/2003	Bonardi
6,433,680	B1	8/2002	Ho	6,665,592	B2	12/2003	Kodama
6,437,688	B1	8/2002	Kobayashi	6,670,207	B1	12/2003	Roberts
6,438,491	B1	8/2002	Farmer	6,670,910	B2	12/2003	Delcheccolo et al.
6,441,872	B1	8/2002	Ho	6,674,370	B2	1/2004	Rodewald et al.
6,441,943	B1	8/2002	Roberts	6,675,075	B1	1/2004	Engelsberg et al.
6,442,465	B2	8/2002	Breed et al.	6,677,986	B1	1/2004	Pöchmüller
6,443,585	B1	9/2002	Saccomanno	6,683,539	B2	1/2004	Trajkovic et al.
6,443,602	B1	9/2002	Tanabe et al.	6,683,969	B1	1/2004	Nishigaki et al.
6,447,128	B1	9/2002	Lang et al.	6,690,268	B2	2/2004	Schofield et al.
6,447,130	B2	9/2002	Chu	6,690,413	B1	2/2004	Moore
6,452,533	B1	9/2002	Yamabuchi et al.	6,693,517	B2	2/2004	McCarty et al.
6,463,369	B2	10/2002	Sadano et al.	6,693,518	B2	2/2004	Kumata
6,465,962	B1	10/2002	Fu et al.	6,693,519	B2	2/2004	Keirstead
6,465,963	B1	10/2002	Turnbull	6,693,524	B1	2/2004	Payne
6,466,701	B1	10/2002	Ejiri et al.	6,700,692	B2	3/2004	Tonar
6,469,739	B1	10/2002	Bechtel	6,717,610	B1	4/2004	Bos et al.
6,471,362	B1	10/2002	Carter	6,727,808	B1	4/2004	Uselmann et al.
6,472,977	B1	10/2002	Pochmuller	6,727,844	B1	4/2004	Zimmermann et al.
6,473,001	B1	10/2002	Blum	6,731,332	B1	5/2004	Yasui et al.
6,476,731	B1	11/2002	Miki et al.	6,734,807	B2	5/2004	King
6,476,855	B1	11/2002	Yamamoto	6,737,964	B2	5/2004	Samman et al.
6,483,429	B1	11/2002	Yasui et al.	6,738,088	B1	5/2004	Uskolovsky et al.
6,483,438	B2	11/2002	Deline et al.	6,744,353	B2	6/2004	Sjonell
6,487,500	B2	11/2002	Lemelson et al.	6,746,122	B2	6/2004	Knox
6,491,416	B1	12/2002	Strazzanti	D493,131	S	7/2004	Lawlor et al.
6,498,620	B2	12/2002	Schofield et al.	D493,394	S	7/2004	Lawlor et al.
6,501,387	B2	12/2002	Skiver et al.	6,768,566	B2	7/2004	Walker
6,504,142	B2	1/2003	Nixon	6,772,057	B2	8/2004	Breed et al.
6,507,779	B2	1/2003	Breed et al.	6,774,988	B2	8/2004	Stam
6,512,624	B2	1/2003	Tonar	6,781,738	B2	8/2004	Kikuchi et al.
6,515,581	B1	2/2003	Ho	6,816,145	B1	11/2004	Evanicky
6,515,597	B1	2/2003	Wada et al.	6,816,297	B1	11/2004	Tonar
6,520,667	B1	2/2003	Mousseau	D499,678	S	12/2004	Bradley
6,521,916	B2	2/2003	Roberts	6,846,098	B2	1/2005	Bourdelais et al.
6,522,969	B2	2/2003	Kannonji	6,847,487	B2	1/2005	Burgner
6,523,976	B1	2/2003	Turnbull	6,853,413	B2	2/2005	Larson
D471,847	S	3/2003	Rumsey et al.	6,861,809	B2	3/2005	Stam
6,535,126	B2	3/2003	Lin et al.	6,870,656	B2	3/2005	Tonar et al.
6,542,085	B1	4/2003	Yang	6,902,284	B2	6/2005	Hutzel et al.
6,542,182	B1	4/2003	Chutorash	6,902,307	B2	6/2005	Strazzanti
6,545,598	B1	4/2003	De Villeroche	6,912,001	B2	6/2005	Okamoto et al.
6,545,794	B2	4/2003	Ash	6,913,375	B2	7/2005	Strazzanti
6,550,943	B2	4/2003	Strazzanti	6,923,080	B1	8/2005	Dobler et al.
6,553,130	B1	4/2003	Lemelson et al.	6,930,737	B2	8/2005	Weindorf et al.
6,558,026	B2	5/2003	Strazzanti	6,934,080	B2	8/2005	Saccomanno et al.
6,559,761	B1	5/2003	Miller et al.	6,946,978	B2	9/2005	Schofield
6,572,233	B1	6/2003	Northman et al.	6,958,495	B2	10/2005	Nishijima et al.
6,580,373	B1	6/2003	Ohashi	6,968,273	B2	11/2005	Ockerse
6,581,007	B2	6/2003	Hasegawa et al.	7,012,543	B2	3/2006	Deline et al.
6,583,730	B2	6/2003	Lang et al.	7,038,577	B2	5/2006	Pawlicki et al.
6,575,643	B2	7/2003	Takashashi	7,042,616	B2	5/2006	Tonar et al.
6,587,573	B1	7/2003	Stam	7,046,448	B2	5/2006	Burgner
6,591,192	B2	7/2003	Okamura et al.	7,064,882	B2	6/2006	Tonar
6,594,583	B2	7/2003	Ogura et al.	7,175,291	B1	2/2007	Li
6,594,614	B2	7/2003	Studt et al.	7,255,465	B2	8/2007	Deline et al.
6,606,183	B2	8/2003	Ikai et al.	7,262,406	B2	8/2007	Heslin et al.
6,611,202	B2	8/2003	Schofield et al.	7,265,342	B2	9/2007	Heslin et al.
6,611,227	B1	8/2003	Nebiyeloul-Kifle	D553,061	S	10/2007	Schmidt et al.
6,611,610	B1	8/2003	Stam et al.	7,285,903	B2	10/2007	Cull et al.
6,611,759	B2	8/2003	Brosche	7,287,868	B2	10/2007	Carter
6,612,708	B2	9/2003	Chu	7,292,208	B1	11/2007	Park et al.
6,614,387	B1	9/2003	Deadman	7,311,428	B2	12/2007	Deline et al.
6,614,579	B2	9/2003	Roberts et al.	7,321,112	B2	1/2008	Stam et al.
6,616,764	B2	9/2003	Kramer et al.	7,324,261	B2	1/2008	Tonar et al.
6,617,564	B2	9/2003	Ockerse et al.	7,342,707	B2	3/2008	Roberts
6,618,672	B2	9/2003	Sasaki et al.	7,349,143	B2	3/2008	Tonar et al.
6,630,888	B2	10/2003	Lang et al.	7,360,932	B2	4/2008	Uken et al.
6,631,316	B2	10/2003	Stam et al.	7,417,221	B2	8/2008	Creswick et al.
6,635,194	B2	10/2003	Kloepfner	7,417,717	B2	8/2008	Pack
6,636,258	B2	10/2003	Strumolo	7,446,650	B2	11/2008	Scholfield et al.
				7,467,883	B2	12/2008	Deline et al.
				7,468,651	B2	12/2008	Deline et al.
				7,505,047	B2	3/2009	Yoshimura
				7,533,998	B2	5/2009	Schofield et al.

(56)

References Cited

U.S. PATENT DOCUMENTS

7,548,291 B2	6/2009	Lee et al.	2003/0025596 A1	2/2003	Lang et al.
7,565,006 B2	7/2009	Stam et al.	2003/0025597 A1	2/2003	Schofield
7,567,291 B2	7/2009	Bechtel et al.	2003/0030546 A1	2/2003	Tseng
7,579,940 B2	8/2009	Schofield et al.	2003/0030551 A1	2/2003	Ho
7,592,563 B2	9/2009	Wissenbach	2003/0030724 A1	2/2003	Okamoto
7,619,508 B2	11/2009	Lynam et al.	2003/0035050 A1	2/2003	Mizusawa
7,626,749 B2	12/2009	Baur et al.	2003/0043269 A1	3/2003	Park
7,653,215 B2	1/2010	Stam	2003/0052969 A1	3/2003	Satoh et al.
7,658,521 B2	2/2010	Deline et al.	2003/0058338 A1	3/2003	Kawauchi et al.
7,663,798 B2	2/2010	Tonar	2003/0067383 A1	4/2003	Yang
7,683,326 B2	3/2010	Stam et al.	2003/0076415 A1	4/2003	Strumolo
7,688,495 B2	3/2010	Tonar et al.	2003/0080877 A1	5/2003	Takagi et al.
7,706,046 B2	4/2010	Bauer et al.	2003/0085806 A1	5/2003	Samman et al.
7,711,479 B2	5/2010	Taylor et al.	2003/0088361 A1	5/2003	Sekiguchi
7,719,408 B2	5/2010	Deward et al.	2003/0090568 A1	5/2003	Pico
7,720,580 B2	5/2010	Higgins-Luthman	2003/0090569 A1	5/2003	Poehmueller
7,746,534 B2	6/2010	Tonar et al.	2003/0090570 A1	5/2003	Takagi et al.
7,815,326 B2	10/2010	Blank et al.	2003/0098908 A1	5/2003	Misaiji et al.
7,817,020 B2	10/2010	Turnbull et al.	2003/0103141 A1	6/2003	Bechtel et al.
7,821,696 B2	10/2010	Tonar et al.	2003/0103142 A1	6/2003	Hitomi et al.
7,830,583 B2	11/2010	Neuman et al.	2003/0117522 A1	6/2003	Okada
7,864,399 B2	1/2011	McCabe et al.	2003/0122929 A1	7/2003	Minaudo et al.
7,877,175 B2	1/2011	Higgins-Luthman	2003/0122930 A1	7/2003	Schofield et al.
7,881,496 B2	2/2011	Camilleri et al.	2003/0133014 A1	7/2003	Mendoza
7,881,839 B2	2/2011	Stam et al.	2003/0137586 A1	7/2003	Lewellen
7,888,629 B2	2/2011	Heslin et al.	2003/0141965 A1	7/2003	Gunderson et al.
7,914,188 B2	3/2011	Deline et al.	2003/0146831 A1	8/2003	Berberich et al.
7,972,045 B2	7/2011	Schofield	2003/0169158 A1	9/2003	Paul, Jr.
7,978,393 B2	7/2011	Tonar et al.	2003/0179293 A1	9/2003	Oizumi
7,994,471 B2	8/2011	Heslin et al.	2003/0202096 A1	10/2003	Kim
3,031,225 A1	10/2011	Watanabe et al.	2003/0202357 A1	10/2003	Strazzanti
8,035,881 B2	10/2011	Luten et al.	2003/0214576 A1	11/2003	Koga
8,045,760 B2	10/2011	Stam et al.	2003/0214584 A1	11/2003	Ross, Jr.
8,059,235 B2	11/2011	Utsumi et al.	2003/0214733 A1	11/2003	Fujikawa et al.
8,063,753 B2	11/2011	Deline et al.	2003/0222793 A1	12/2003	Tanaka et al.
8,090,153 B2	1/2012	Schofield et al.	2003/0222983 A1	12/2003	Nobori et al.
8,095,310 B2	1/2012	Taylor et al.	2003/0227546 A1	12/2003	Hilborn et al.
8,100,568 B2	1/2012	Deline et al.	2004/0004541 A1	1/2004	Hong
8,116,929 B2	2/2012	Higgins-Luthman	2004/0027695 A1	1/2004	Lin
8,120,652 B2	2/2012	Bechtel et al.	2004/0032321 A1	2/2004	McMahon et al.
8,142,059 B2	3/2012	Higgins-Luthman et al.	2004/0036768 A1	2/2004	Green
8,162,518 B2	4/2012	Schofield	2004/0051634 A1	3/2004	Schofield et al.
8,194,133 B2	6/2012	DeWind et al.	2004/0056955 A1	3/2004	Berberich et al.
8,201,800 B2	6/2012	Filipiak	2004/0057131 A1	3/2004	Hutzet et al.
8,203,433 B2	6/2012	Deuber et al.	2004/0064241 A1	4/2004	Sekiguchi
8,217,830 B2	7/2012	Lynam	2004/0066285 A1	4/2004	Sekiguchi
8,222,588 B2	7/2012	Schofield et al.	2004/0075603 A1	4/2004	Kodama
8,237,909 B2	8/2012	Ostreko et al.	2004/0080404 A1	4/2004	White
8,258,433 B2	9/2012	Byers et al.	2004/0080431 A1	4/2004	White
8,282,226 B2	10/2012	Blank et al.	2004/0085196 A1	5/2004	Milelr et al.
8,325,028 B2	12/2012	Schofield et al.	2004/0090314 A1	5/2004	Iwamoto
8,482,683 B2	7/2013	Hwang et al.	2004/0090317 A1	5/2004	Rothkop
8,520,069 B2	8/2013	Haler	2004/0096082 A1	5/2004	Nakai et al.
8,559,092 B2	10/2013	Bugno et al.	2004/0098196 A1	5/2004	Sekiguchi
8,564,662 B2	10/2013	Busch et al.	2004/0107030 A1	6/2004	Nishira et al.
8,779,910 B2	7/2014	DeLine et al.	2004/0107617 A1	6/2004	Shoen et al.
D729,714 S	5/2015	Roth	2004/0109060 A1	6/2004	Ishii
9,134,585 B2	9/2015	Tonar et al.	2004/0114039 A1	6/2004	Ishikura
D746,744 S	1/2016	Sloterbeek et al.	2004/0119668 A1	6/2004	Homma et al.
9,319,639 B1	4/2016	Englander et al.	2004/0125905 A1	7/2004	Vlasenko et al.
D755,097 S	5/2016	Lin	2004/0202001 A1	10/2004	Roberts et al.
D800,618 S *	10/2017	Roth D12/187	2005/0099693 A1	5/2005	Schofield et al.
D809,984 S *	2/2018	Hamlin D12/187	2005/0140855 A1	6/2005	Utsumi
D817,238 S *	5/2018	Lock D12/187	2005/0237440 A1	10/2005	Sugimura et al.
2001/0019356 A1	9/2001	Takeda et al.	2006/0007550 A1	1/2006	Tonar et al.
2001/0022616 A1	9/2001	Rademacher et al.	2006/0115759 A1	6/2006	Kim et al.
2001/0026316 A1	10/2001	Senatore	2006/0139953 A1	6/2006	Chou et al.
2001/0045981 A1	11/2001	Gloger et al.	2006/0158899 A1	7/2006	Ayabe et al.
2002/0040962 A1	4/2002	Schofield et al.	2007/0146481 A1	6/2007	Chen et al.
2002/0044065 A1	4/2002	Quist et al.	2007/0171037 A1	7/2007	Schofield et al.
2002/0191127 A1	12/2002	Roberts et al.	2008/0068520 A1	3/2008	Minikey, Jr. et al.
2003/0002165 A1	1/2003	Mathias et al.	2008/0192132 A1	8/2008	Bechtel et al.
2003/0007261 A1	1/2003	Hutzet et al.	2008/0247192 A1	10/2008	Hoshi et al.
2003/0016125 A1	1/2003	Lang et al.	2008/0294315 A1	11/2008	Breed
2003/0016287 A1	1/2003	Nakayama et al.	2008/0302657 A1	12/2008	Luten et al.
			2009/0015736 A1	1/2009	Weller et al.
			2009/0141516 A1	6/2009	Wu et al.
			2009/0296190 A1	12/2009	Anderson et al.
			2010/0110553 A1	5/2010	Anderson et al.

(56)

References Cited

U.S. PATENT DOCUMENTS

2010/0201896	A1	8/2010	Ostreko et al.	
2010/0277786	A1	11/2010	Anderson et al.	
2010/0289995	A1	11/2010	Hwang et al.	
2010/0328463	A1	12/2010	Haler	
2011/0168687	A1	7/2011	Door	
2011/0176323	A1	7/2011	Skiver et al.	
2011/0181727	A1	7/2011	Weller et al.	
2011/0317015	A1	12/2011	Seto et al.	
2012/0038964	A1	2/2012	De Wind et al.	
2012/0069444	A1	3/2012	Campbell et al.	
2012/0182242	A1	7/2012	Lindahl et al.	
2012/0229882	A1	9/2012	Fish, Jr. et al.	
2012/0236388	A1*	9/2012	De Wind	B60R 1/04 359/267
2013/0028473	A1	1/2013	Hilldore et al.	
2013/0170013	A1*	7/2013	Tonar	B60R 1/088 359/296
2013/0279014	A1*	10/2013	Fish, Jr.	G02B 27/0149 359/630
2014/0022390	A1*	1/2014	Blank	B60R 1/12 348/148
2014/0043479	A1	2/2014	Busch et al.	
2014/0192431	A1*	7/2014	Sloterbeek	B60R 1/12 359/871
2014/0347488	A1	11/2014	Tazaki et al.	

FOREIGN PATENT DOCUMENTS

EP	434453	B1	4/1997
EP	0899157	A1	3/1999
EP	0899157	B1	10/2004
EP	2393691	B1	5/2014
EP	2845921	A2	3/2015
GB	2338363		12/1999
JP	1178693		3/1999
JP	3070845	U	8/2000
JP	2002096685	A	4/2002
JP	2002120649	A	4/2002
JP	2002200936	A	7/2002
JP	2005148119		6/2005
JP	2005327600		11/2005
JP	2008139819	A	6/2008
JP	2009542505	A	12/2009
JP	2013244753	A	12/2013
KR	20100123433	A	11/2010
WO	9621581		7/1996
WO	2007006104	A1	1/2007
WO	2007103573	A2	9/2007
WO	2010090964		8/2010
WO	2011044312	A1	4/2011
WO	2013162985	A1	10/2013

OTHER PUBLICATIONS

Australian Government/IP Australia, "Examination report No. 1 for standard patent application," Mar. 3, 2017 (3 pages).

Palalau et al., "FPD Evaluation for Automotive Application," Proceedings of the Vehicle Display Symposium, Nov. 2, 1995, pp. 97-103, Society for Information Display, Detroit Chapter, Santa Ana, CA.

Adler, "A New Automotive AMLCD Module," Proceedings of the Vehicle Display Symposium, Nov. 2, 1995, pp. 67-71, Society for Information Display, Detroit Chapter, Santa Ana, CA.

Sayer, et al., "In-Vehicle Displays for Crash Avoidance and Navigation Systems," Proceedings of the Vehicle Display Symposium, Sep. 18, 1996, pp. 39-42, Society for Information Display, Detroit Chapter, Santa Ana, CA.

Knoll, et al., "Application of Graphic Displays in Automobiles," SID 87 Digest, 1987, pp. 41-44, 5A.2.

Terada, et al., "Development of Central Information Display of Automotive Application," SID 89 Digest, 1989, pp. 192-195, Society for Information Display, Detroit Center, Santa Ana, CA.

Thomsen, et al., "AMLCD Design Considerations for Avionics and Vetrronics Applications," Proceedings of the 5th Annual Flat Panel Display Strategic and Technical Symposium, Sep. 9-10, 1998, pp. 139-145, Society for Information Display, Metropolitan Detroit Chapter, CA.

Knoll, et al., "Conception of an Integrated Driver Information System," SID International Symposium Digest of Technical Papers, 1990, pp. 126-129, Society for Information Display, Detroit Center, Santa Ana, CA.

Vincen, "An Analysis of Direct-View FPDs for Automotive Multi-Media Applications," Proceedings of the 6th Annual Strategic and Technical Symposium "Vehicular Applications of Displays and Microsensors," Sep. 22-23, 1999, pp. 39-46, Society for Information Display, Metropolitan Detroit Chapter, San Jose, CA.

Zuk, et al., "Flat Panel Display Applications in Agriculture Equipment," Proceedings of the 5th Annual Flat Panel Display Strategic and Technical Symposium, Sep. 9-10, 1998, pp. 125-130, Society for Information Display, Metropolitan Detroit Chapter, CA.

Vijan, et al., "A 1.7-Mpixel Full-Color Diode Driven AM-LCD," SID International Symposium, 1990, pp. 530-533, Society for Information Display, Playa del Rey, CA.

Vincen, "The Automotive Challenge to Active Matrix LCD Technology," Proceedings of the Vehicle Display Symposium, 1996, pp. 17-21, Society for Information Display, Detroit Center, Santa Ana, CA.

Corsi, et al., "Reconfigurable Displays Used as Primary Automotive Instrumentation," SAE Technical Paper Series, 1989, pp. 13-18, Society of Automotive Engineers, Inc., Warrendale, PA.

Schumacher, "Automotive Display Trends," SID 96 Digest, 1997, pp. 1-6, Delco Electronics Corp., Kokomo, IN.

Knoll, "The Use of Displays in Automotive Applications," Journal of the SID May 3, 1997, pp. 165-172, 315-316, Stuttgart, Germany.

Donofrio, "Looking Beyond the Dashboard," SID 2002, pp. 30-34, Ann Arbor, MI.

Stone, "Automotive Display Specification," Proceedings of the Vehicle Display Symposium, 1995, pp. 93-96, Society for Information Display, Detroit Center, Santa Ana, CA.

International Searching Authority, International Search Report and Written Opinion for International Application No. PCT/US2016/028267 dated Sep. 8, 2016 (8 Pages).

International Searching Authority, International Search Report and Written Opinion for International Application No. PCT/US2013/037080, dated Aug. 29, 2013, 6 pages.

Japanese Patent Office, Official Action for Japanese Application No. 2015-509030, dated Jan. 18, 2016, 15 pages.

State Intellectual Property Office of the People's Republic of China, Notification of the First Office Action for Chinese Application No. 201380028888.3, dated Apr. 6, 2016, 15 pages.

* cited by examiner

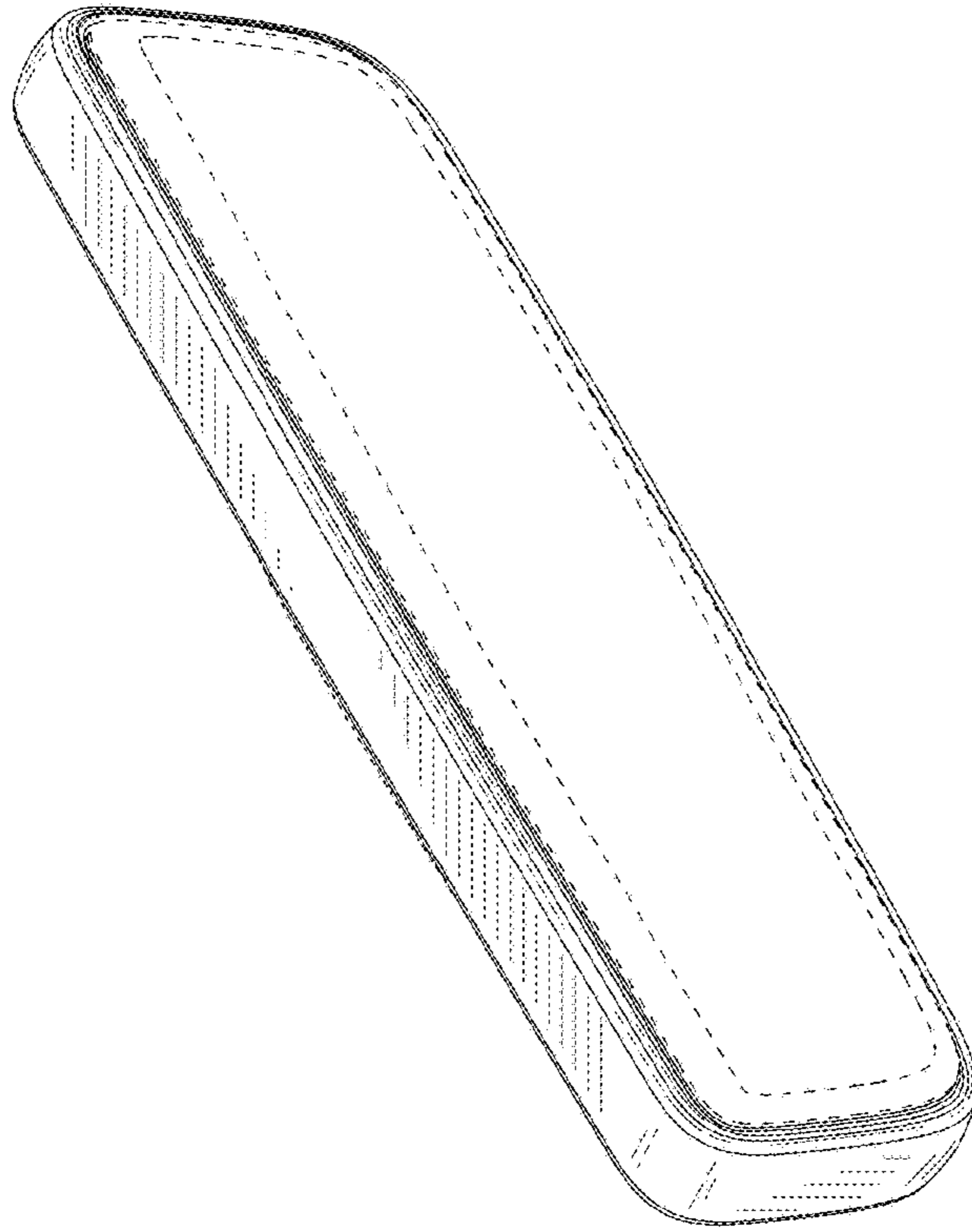


FIG. 1

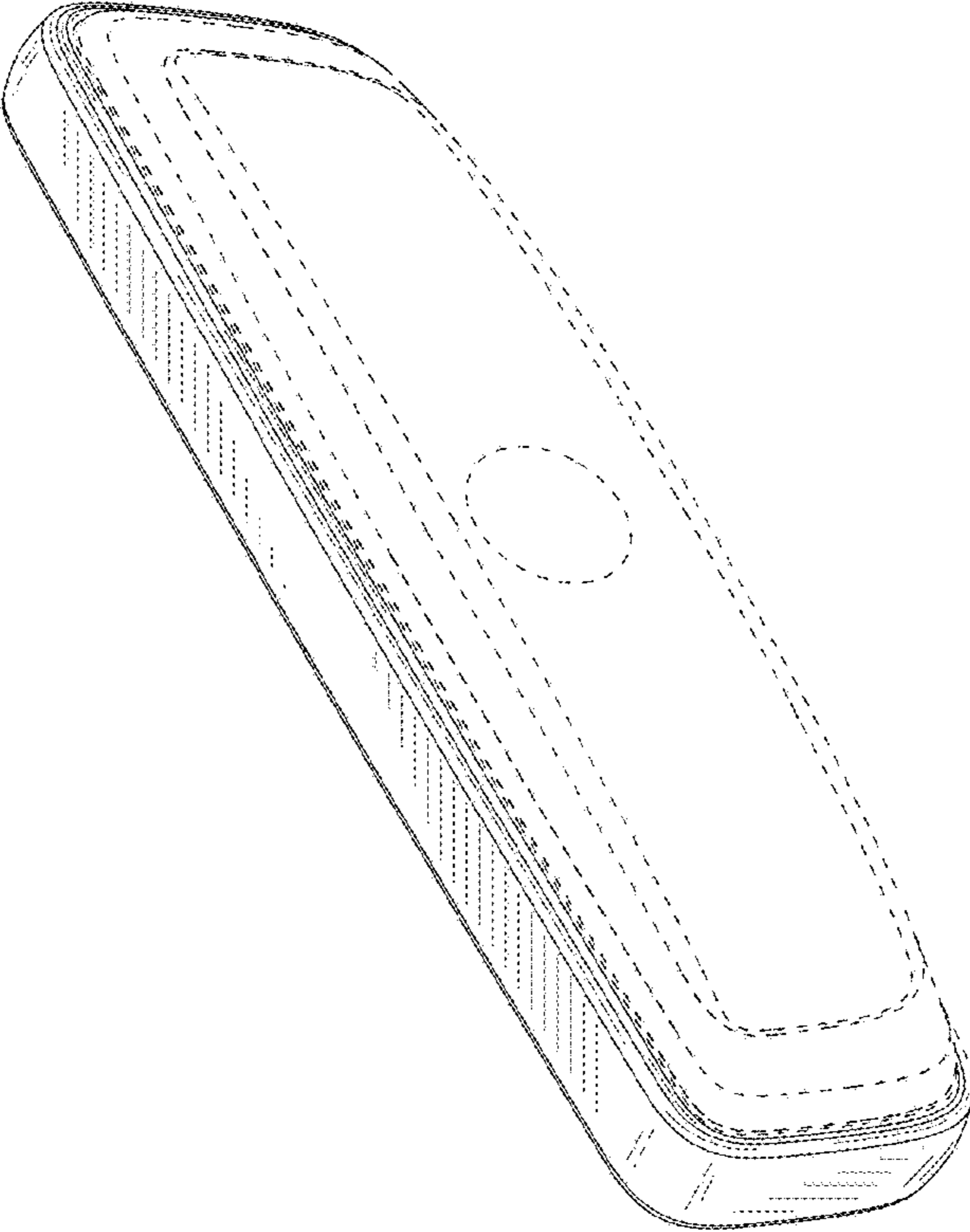


FIG. 2

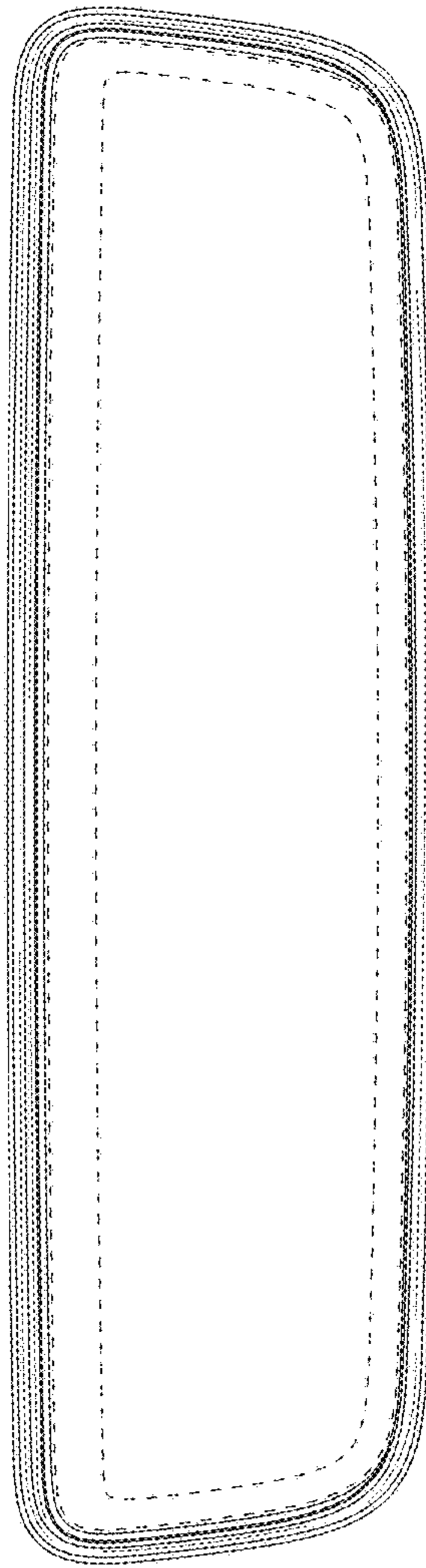


FIG. 3

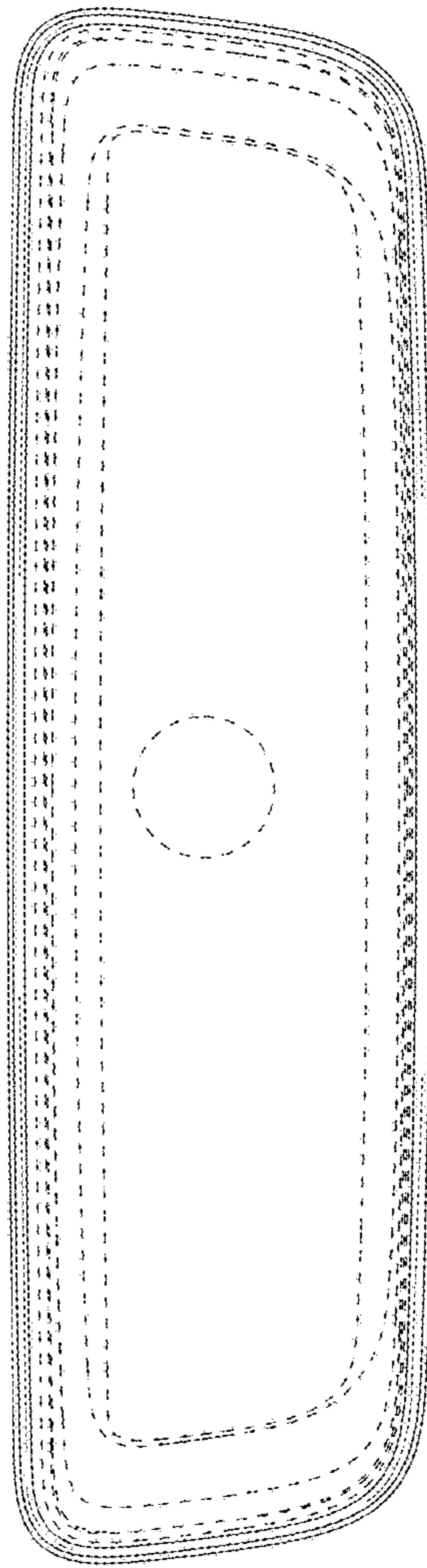


FIG. 4

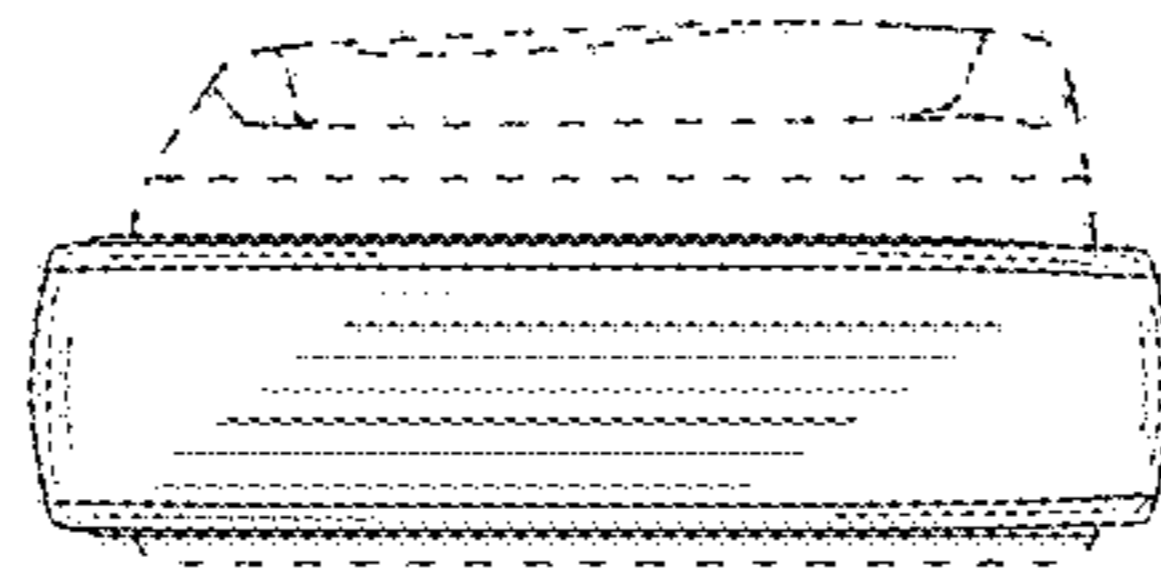


FIG. 6

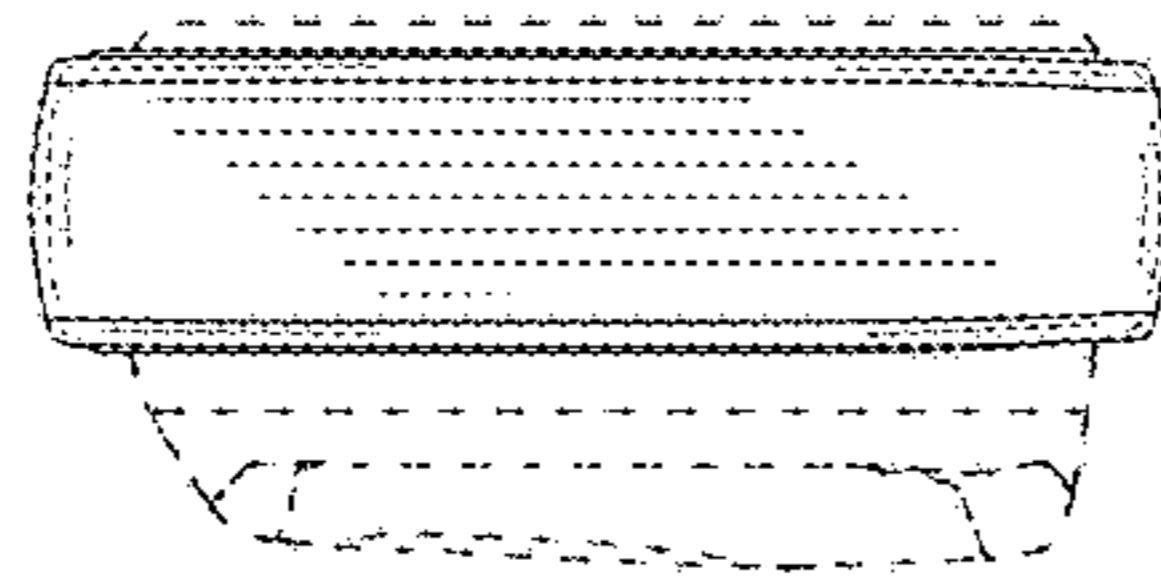


FIG. 5

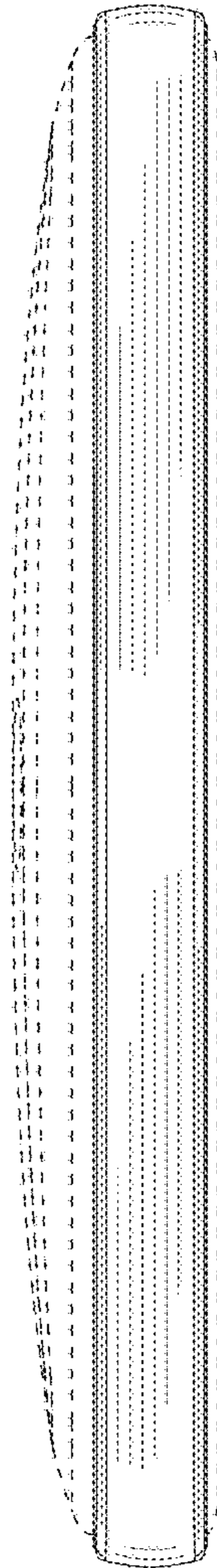


FIG. 7

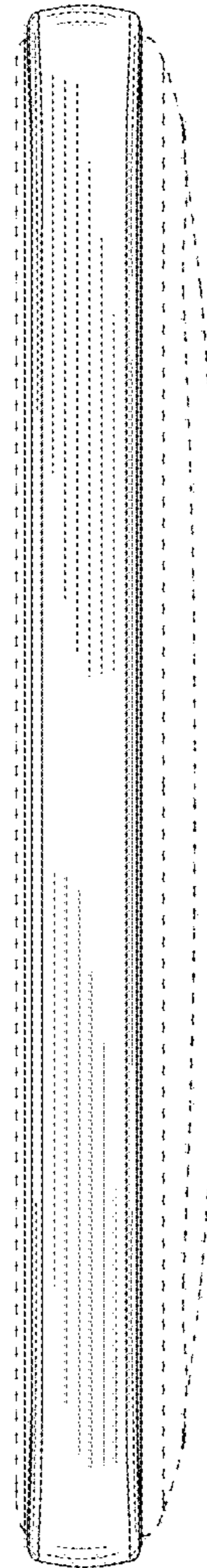


FIG. 8