



US00D854470S

(12) **United States Design Patent** (10) **Patent No.:** **US D854,470 S**
Haws et al. (45) **Date of Patent:** **** Jul. 23, 2019**

(54) **FAIRING**

(71) Applicant: **Laydon Composites Ltd., Oakville (CA)**

(72) Inventors: **James D. Haws, Oakville (CA); Brian P. Layfield, Oakville (CA)**

(73) Assignee: **LAYDON COMPOSITES LTD., Oakville, ON (CA)**

(**) Term: **15 Years**

(21) Appl. No.: **29/586,295**

(22) Filed: **Dec. 2, 2016**

(51) **LOC (11) Cl.** **12-16**

(52) **U.S. Cl.**
USPC **D12/181**

(58) **Field of Classification Search**
USPC D12/414, 415, 416, 417, 418, 419, 420, D12/421, 422, 423, 424, 425, 426, 190,
(Continued)

(56) **References Cited**

U.S. PATENT DOCUMENTS

D248,846 S * 8/1978 Stage D12/404
D249,783 S 10/1978 Herpel
(Continued)

Primary Examiner — Susan E Krakower

Assistant Examiner — Jerry Shiuan-Hua Hsu

(74) *Attorney, Agent, or Firm* — Warner Norcross & Judd LLP

(57) **CLAIM**

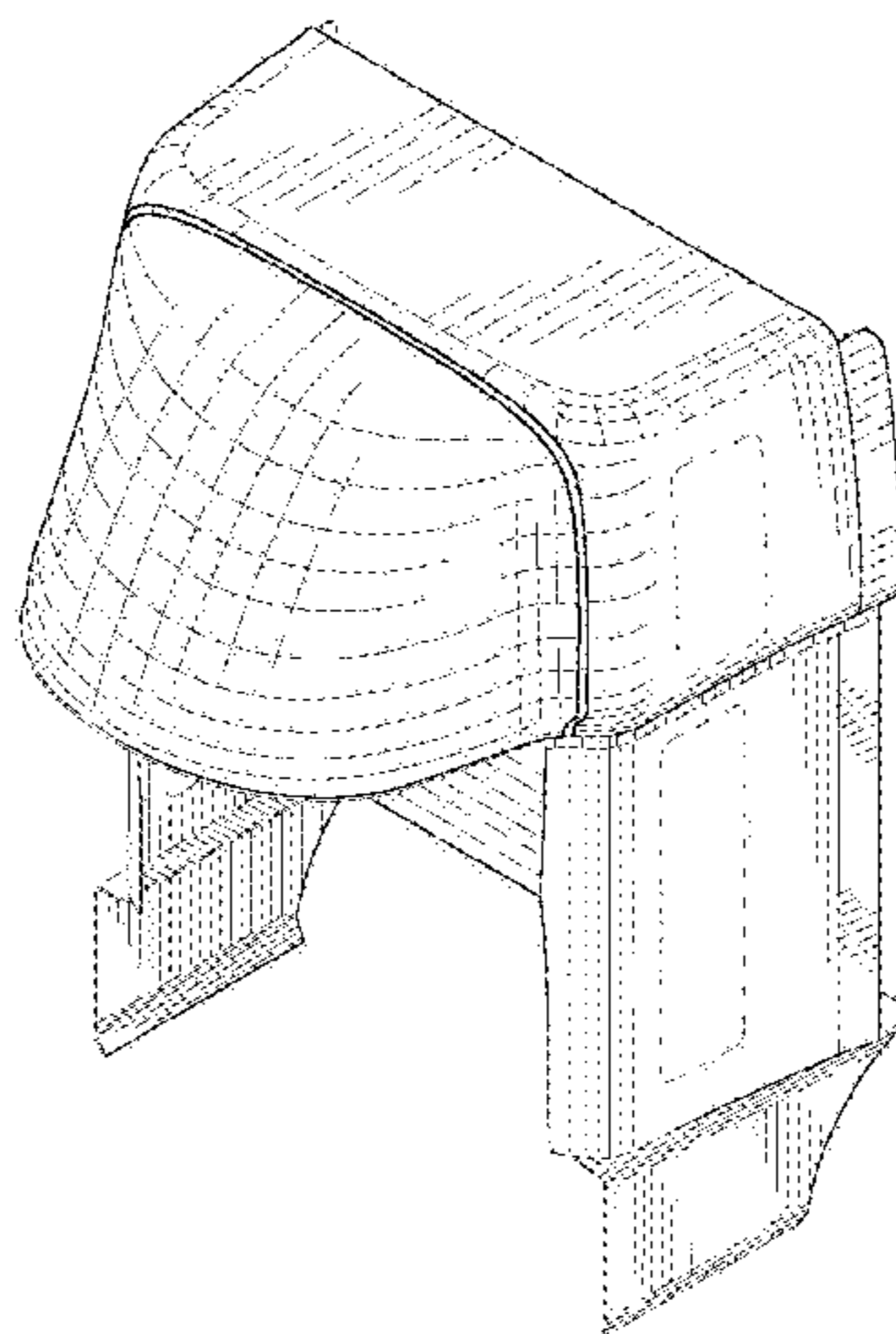
The ornamental design for a fairing, as shown and described.

DESCRIPTION

FIG. 1 is a top, front, left side perspective view of the first embodiment of a fairing of the present design;

FIG. 2 is a top view thereof;
FIG. 3 is a bottom view thereof;
FIG. 4 is a front view thereof;
FIG. 5 is a rear view thereof;
FIG. 6 is a left side view thereof, with the right side view being a mirror image thereof;
FIG. 7 is a top, front, left side perspective view of the fairing of the present design, shown mounted on an unclaimed truck, in condition of use;
FIG. 8 is a top, front, left side perspective view of the fairing of the present design, shown on an unclaimed truck with trailer, in condition of use;
FIG. 9 is a top, front, left side perspective view of the second embodiment of the fairing of the present design;
FIG. 10 is a top view of the second embodiment thereof;
FIG. 11 is a bottom view of the second embodiment thereof;
FIG. 12 is a front view of the second embodiment thereof;
FIG. 13 is a rear view of the second embodiment thereof;
FIG. 14 is a left side view of the second embodiment, with the right side view being a mirror image thereof;
FIG. 15 is a top, front, left side perspective view of the second embodiment of the fairing, shown mounted on an unclaimed truck, in condition of use;
FIG. 16 is a top, front, left side perspective view of the third embodiment of the fairing of the present design;
FIG. 17 is a top view of the third embodiment thereof;
FIG. 18 is a bottom view of the third embodiment thereof;
FIG. 19 is a front view of the third embodiment thereof;
FIG. 20 is a rear view of the third embodiment thereof;
FIG. 21 is a left side view of the third embodiment, with the right side view being a mirror image thereof; and,
FIG. 22 is a top, front, left side perspective view of the third embodiment of the fairing, shown mounted on an unclaimed truck, in condition of use.
The broken lines illustrating a truck and trailer represent environment structure that forms no part of the claimed design. The remaining broken lines illustrate portions of the fairing that forms no part of the claimed design.

1 Claim, 19 Drawing Sheets



US D854,470 S

(58) **Field of Classification Search**
USPC .. D12/192, 195, 191, 106, 345, 96, 99, 400,
D12/181, 184, 185, 170
CPC .. B60R 7/04; B60R 7/18; B62D 25/16; B62D
25/18; B62D 25/161; B62D 25/162;
B62D 25/168; B62D 25/182; B62D
25/184; B62D 33/0612; B62D 35/001;
B62D 35/008
See application file for complete search history.

(56) **References Cited**
U.S. PATENT DOCUMENTS

4,245,862 A 1/1981 Buckley
D296,775 S * 7/1988 Hatch D12/181
4,883,307 A * 11/1989 Hacker B62D 35/001
296/180.2
4,957,322 A 9/1990 Marlowe
D314,163 S 1/1991 Harris
D319,807 S * 9/1991 Simons D12/96
5,078,448 A * 1/1992 Selzer B62D 35/001
105/1.2

5,174,626 A 12/1992 Wiley
D340,025 S 10/1993 Brownlie
5,249,837 A 10/1993 Luttrell
D343,819 S 2/1994 Meryman
D374,418 S * 10/1996 Griffin D12/181
5,560,673 A * 10/1996 Angelo B62D 33/0612
180/89.12
D375,925 S 11/1996 Griffin
5,603,549 A 2/1997 Chen
D384,914 S * 10/1997 Bingaman D12/97
D422,944 S * 4/2000 Hellhake D12/96
6,217,107 B1 4/2001 Langlois
D482,303 S * 11/2003 Shea D12/181
7,216,923 B2 5/2007 Wong
D558,643 S * 1/2008 Beigel D12/96
7,578,541 B2 8/2009 Layfield
D634,244 S * 3/2011 Aris D12/96
2008/0244907 A1 * 10/2008 Boucher B62D 35/001
29/897.2
2014/0069972 A1 3/2014 Willemsen
2014/0251479 A1 9/2014 Gibb

* cited by examiner

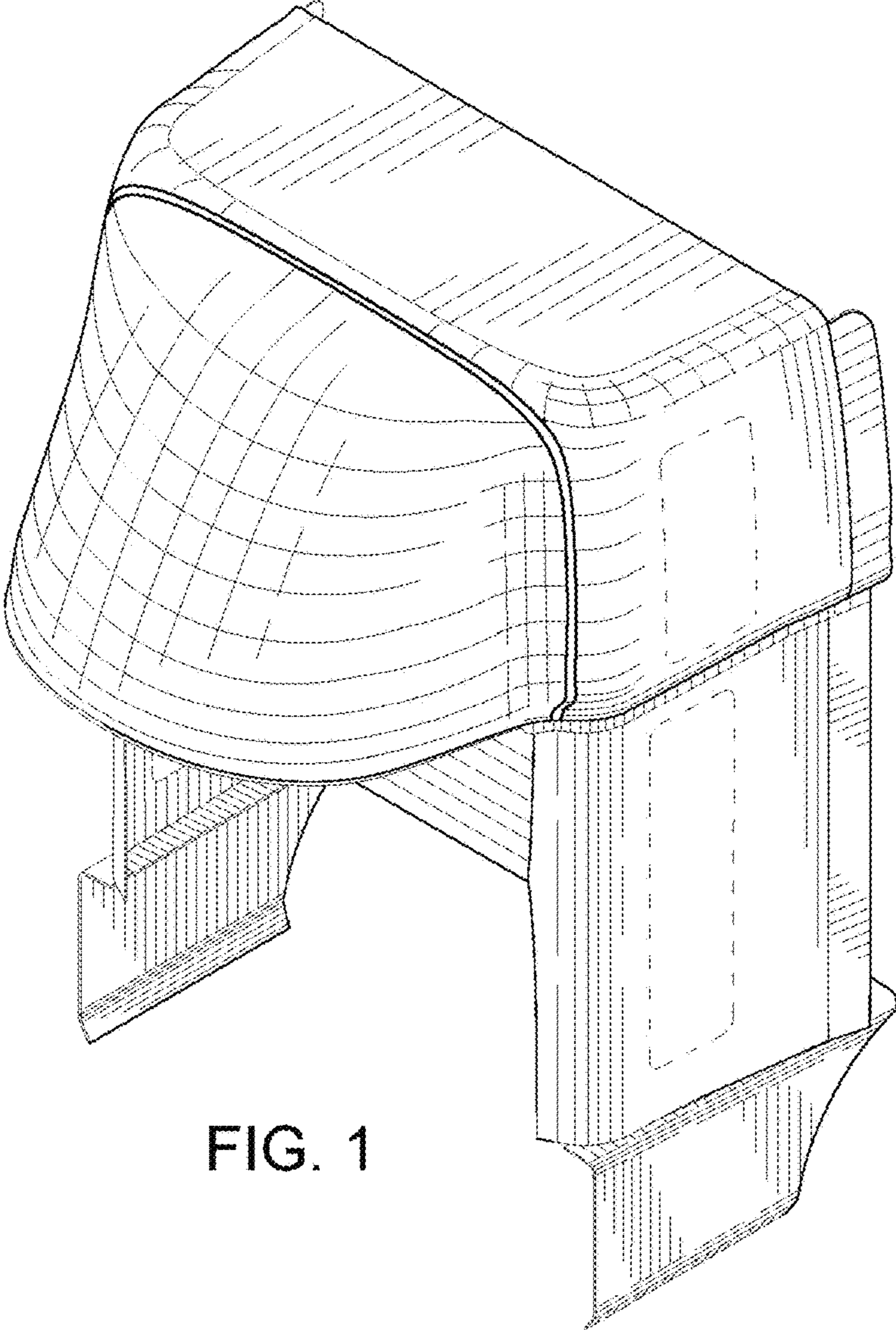


FIG. 1

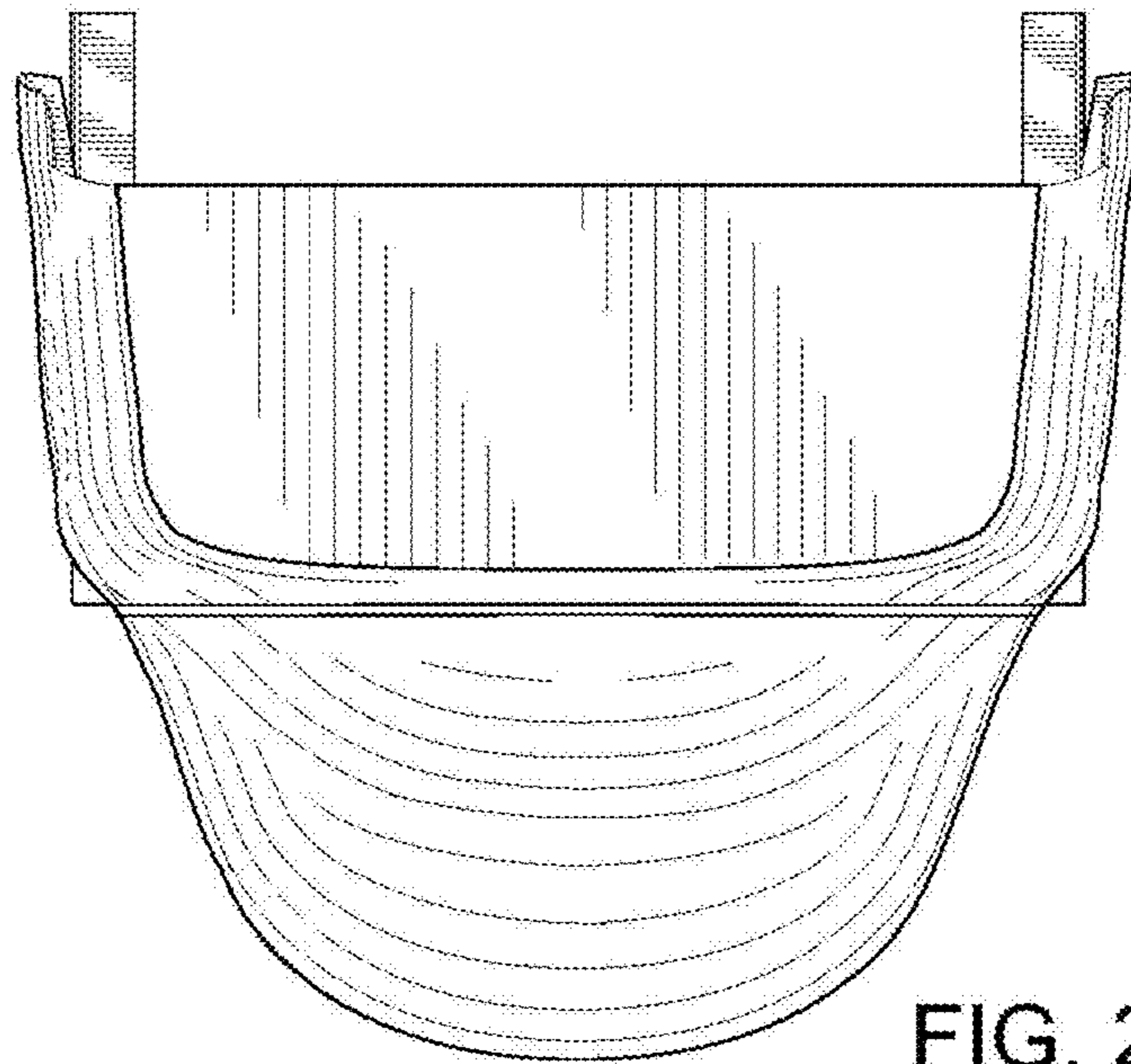


FIG. 2

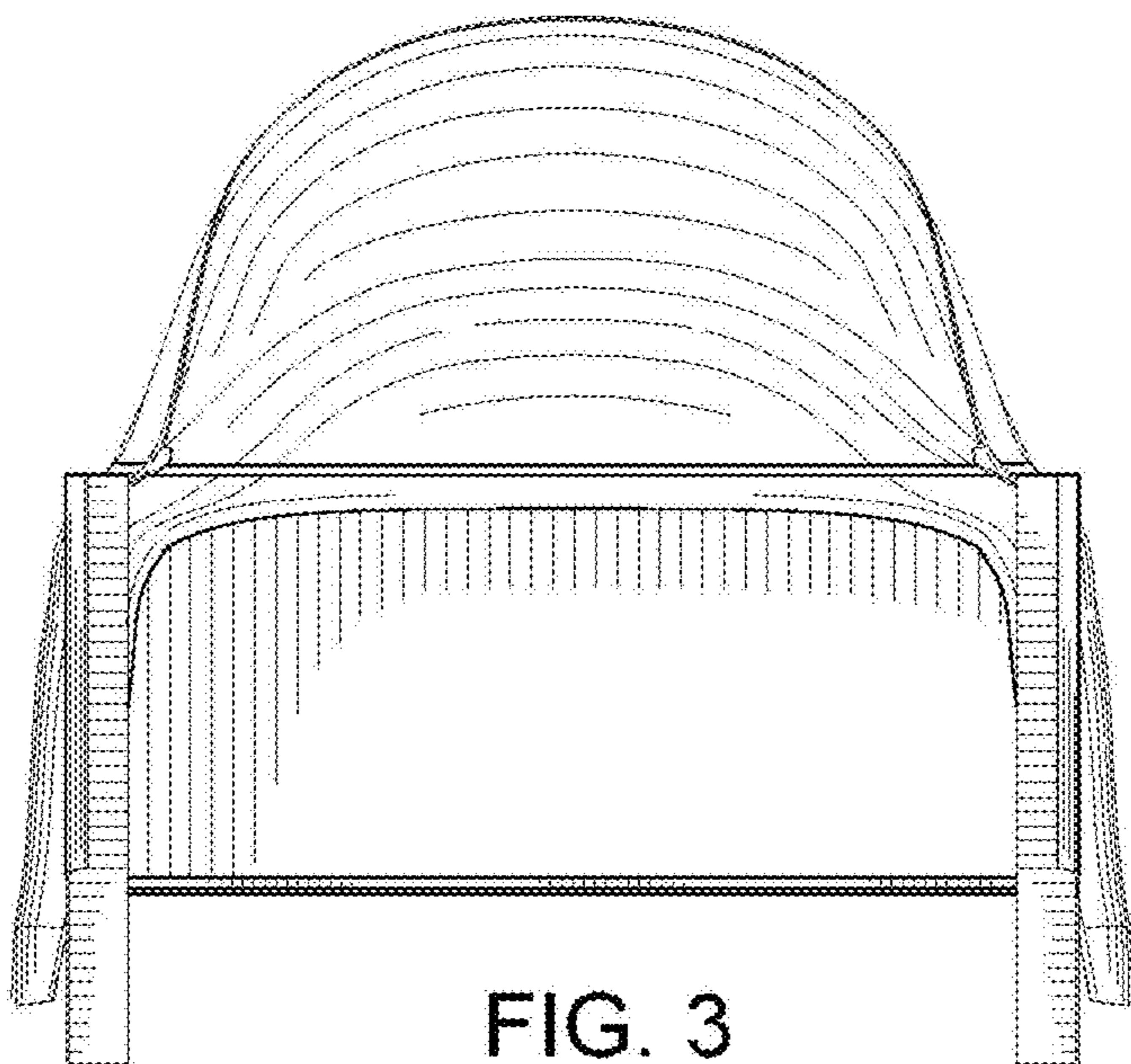


FIG. 3

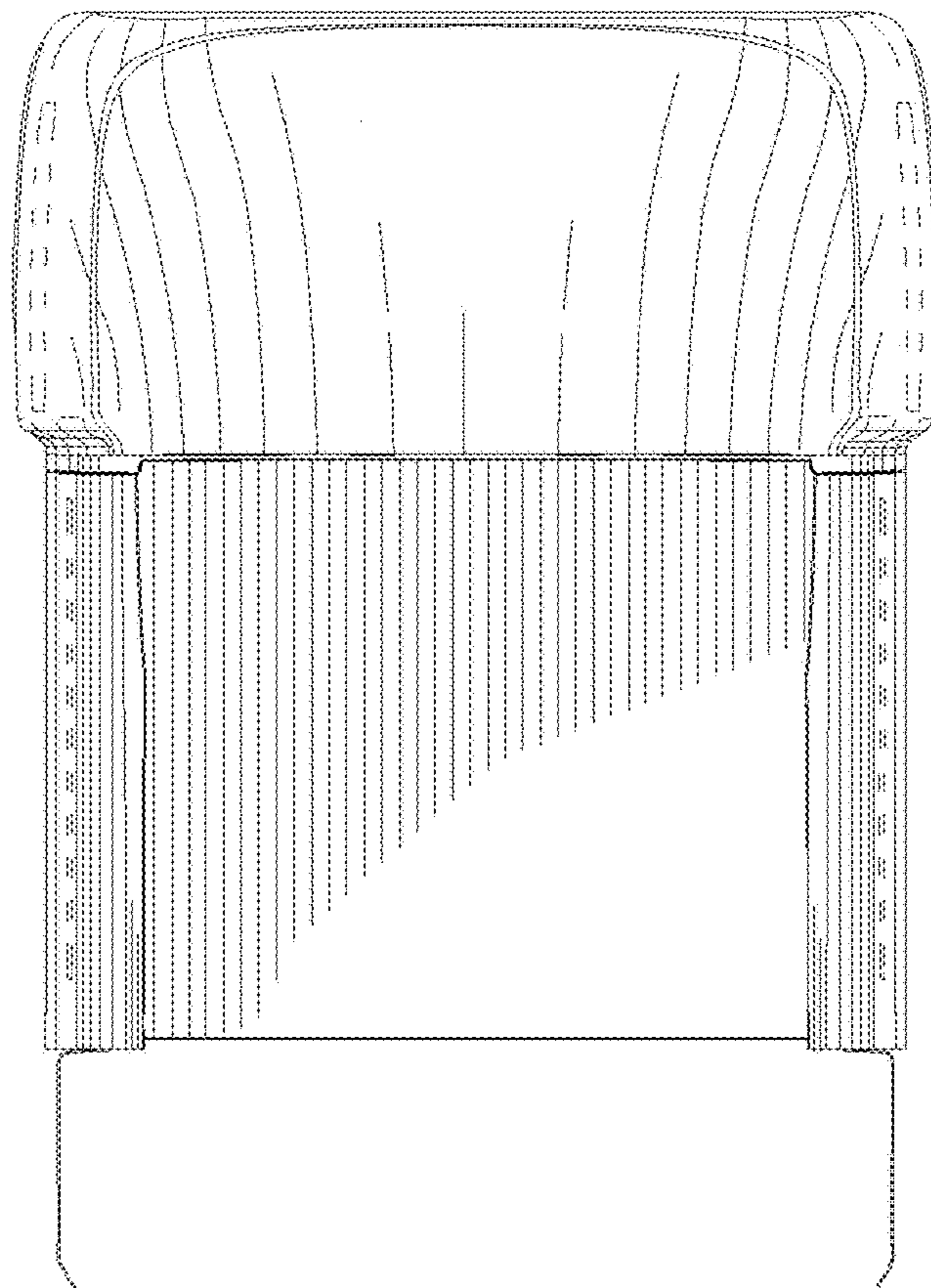


FIG. 4

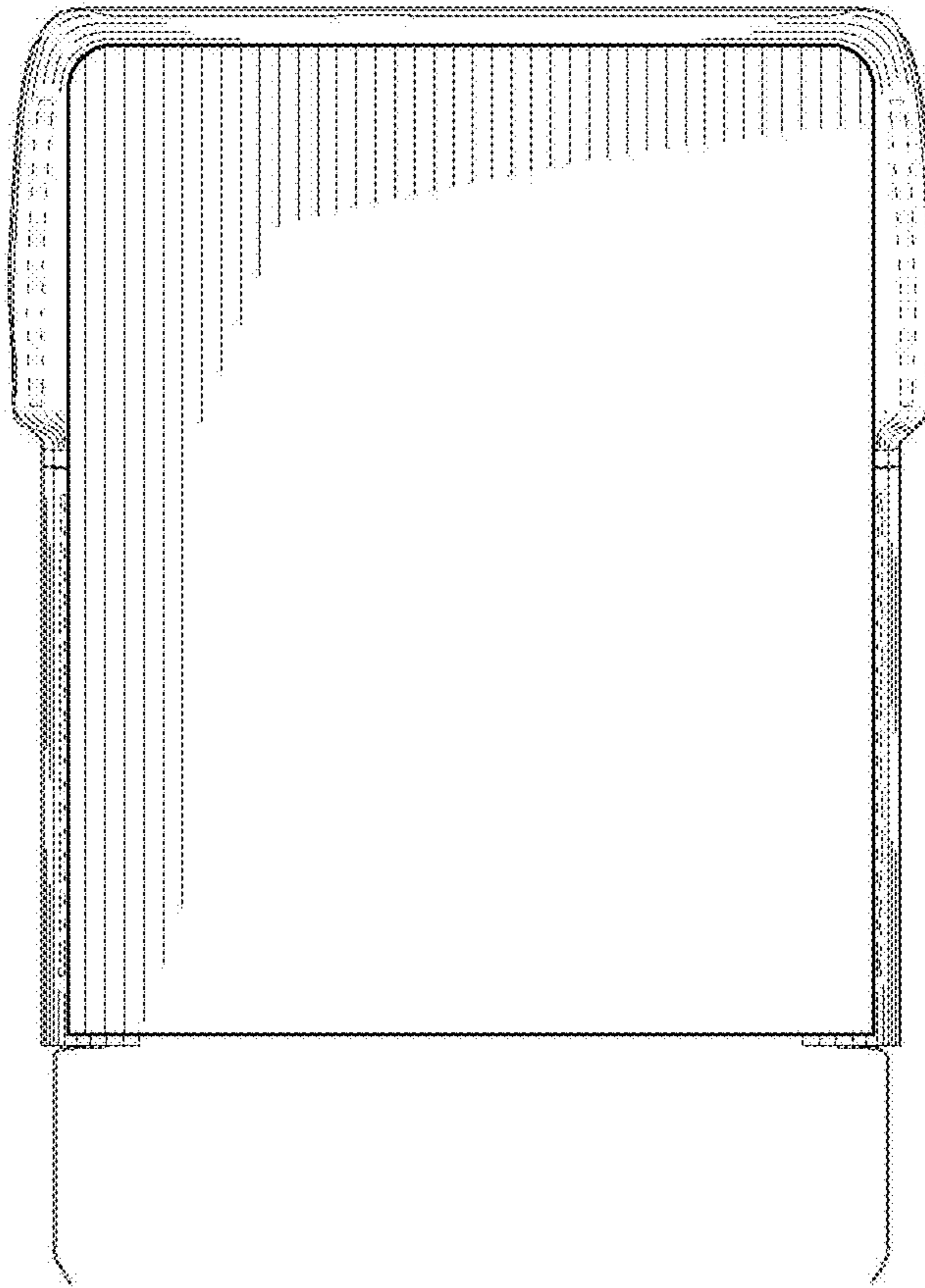


FIG. 5

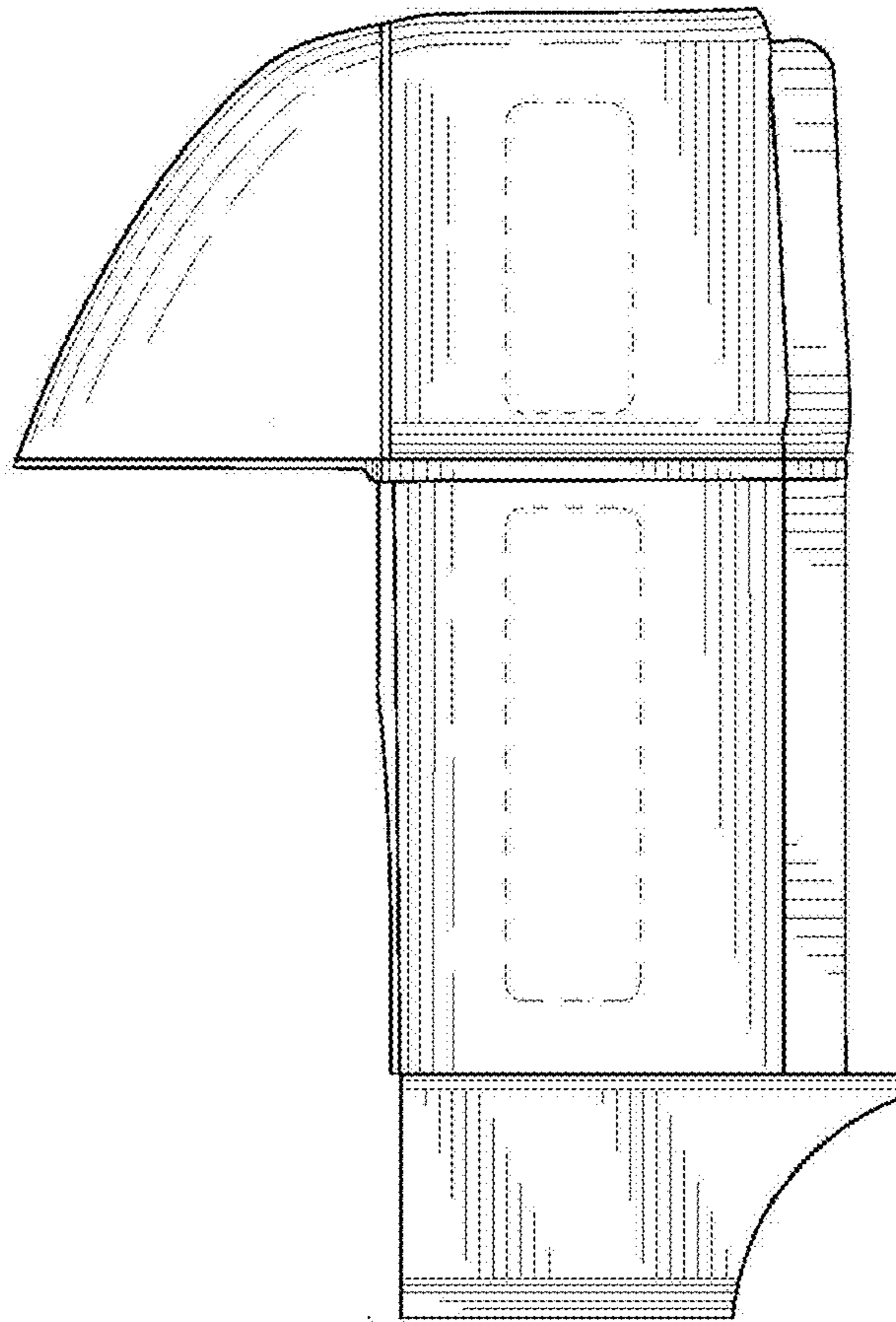


FIG. 6

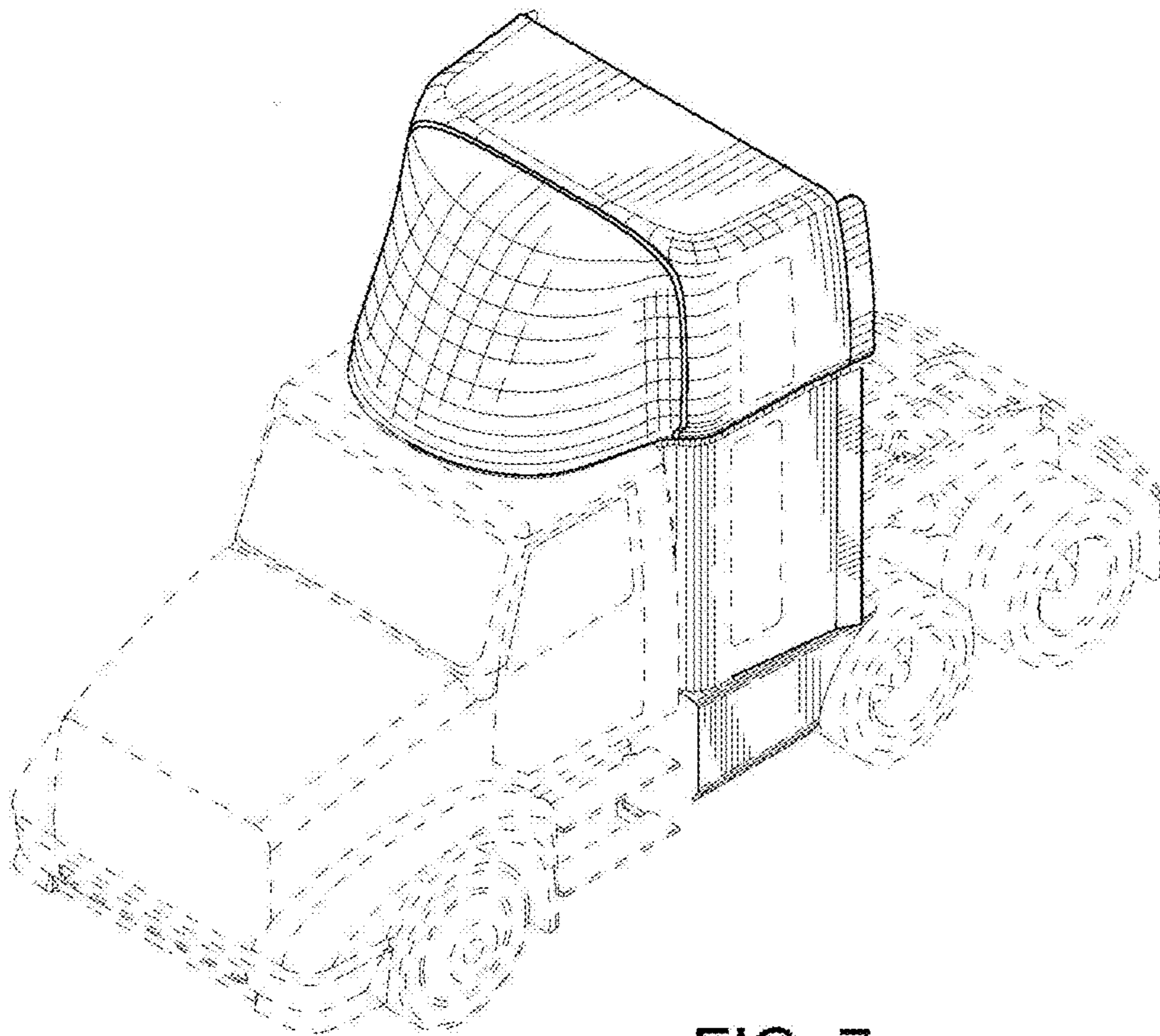


FIG. 7

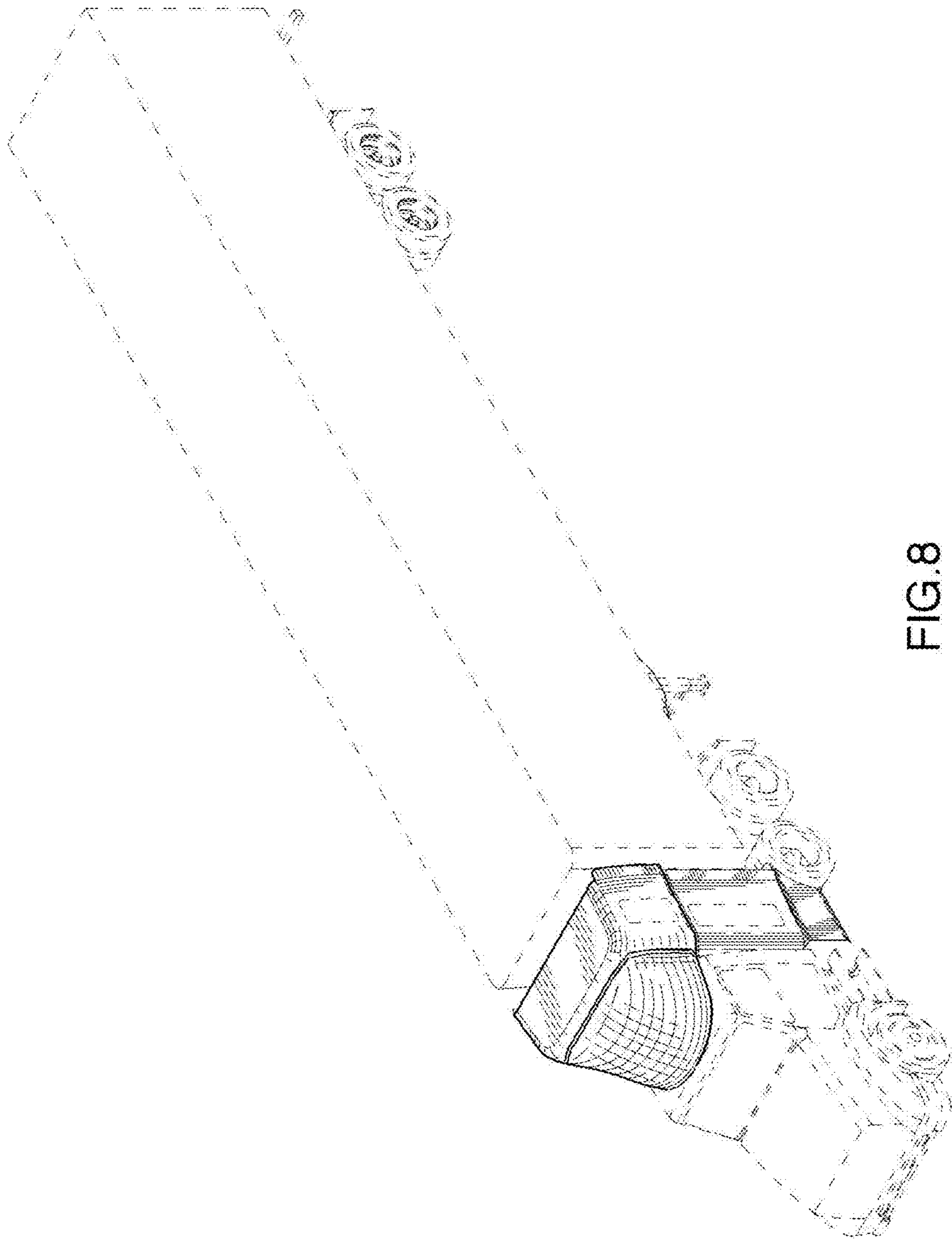


FIG. 8

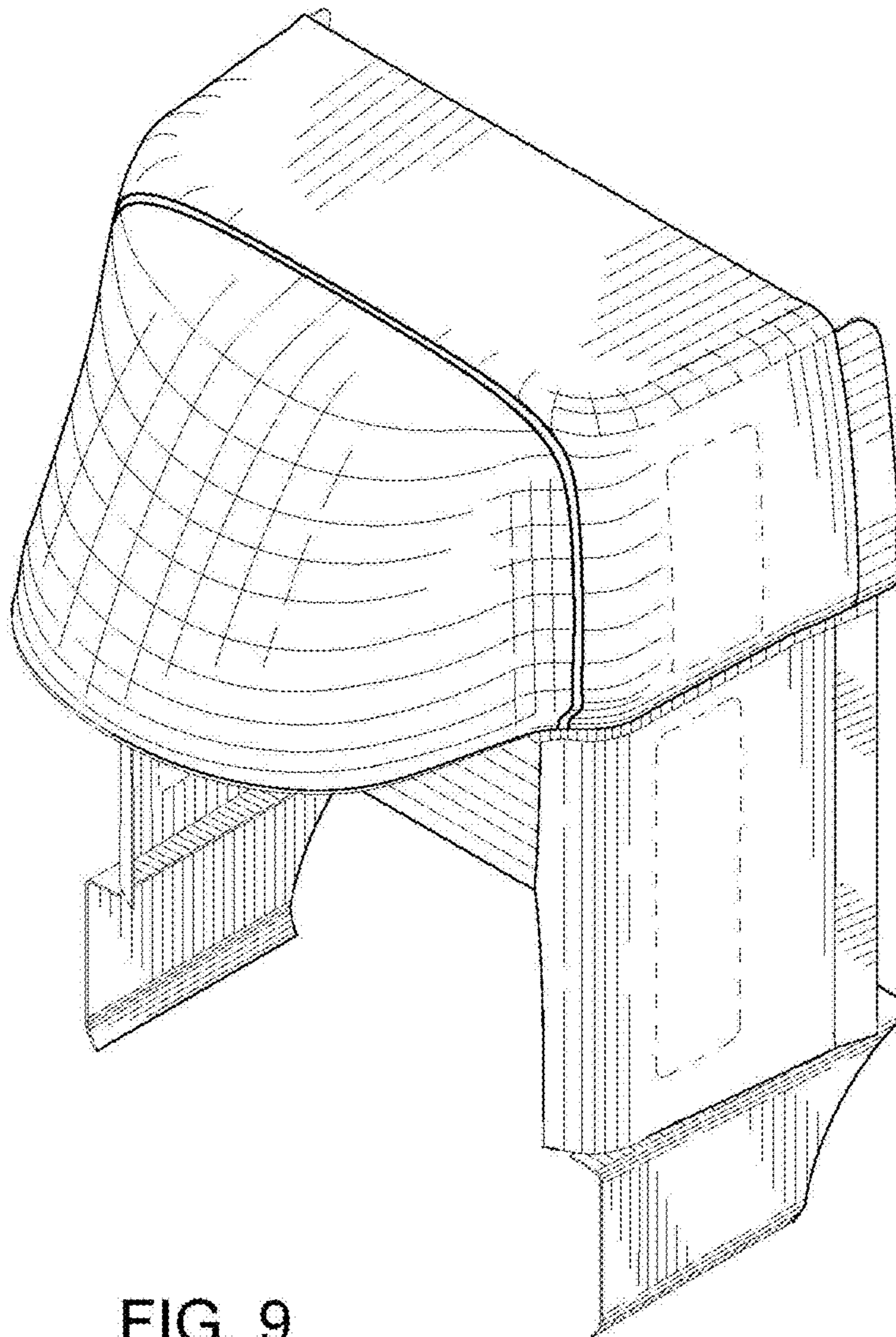


FIG. 9

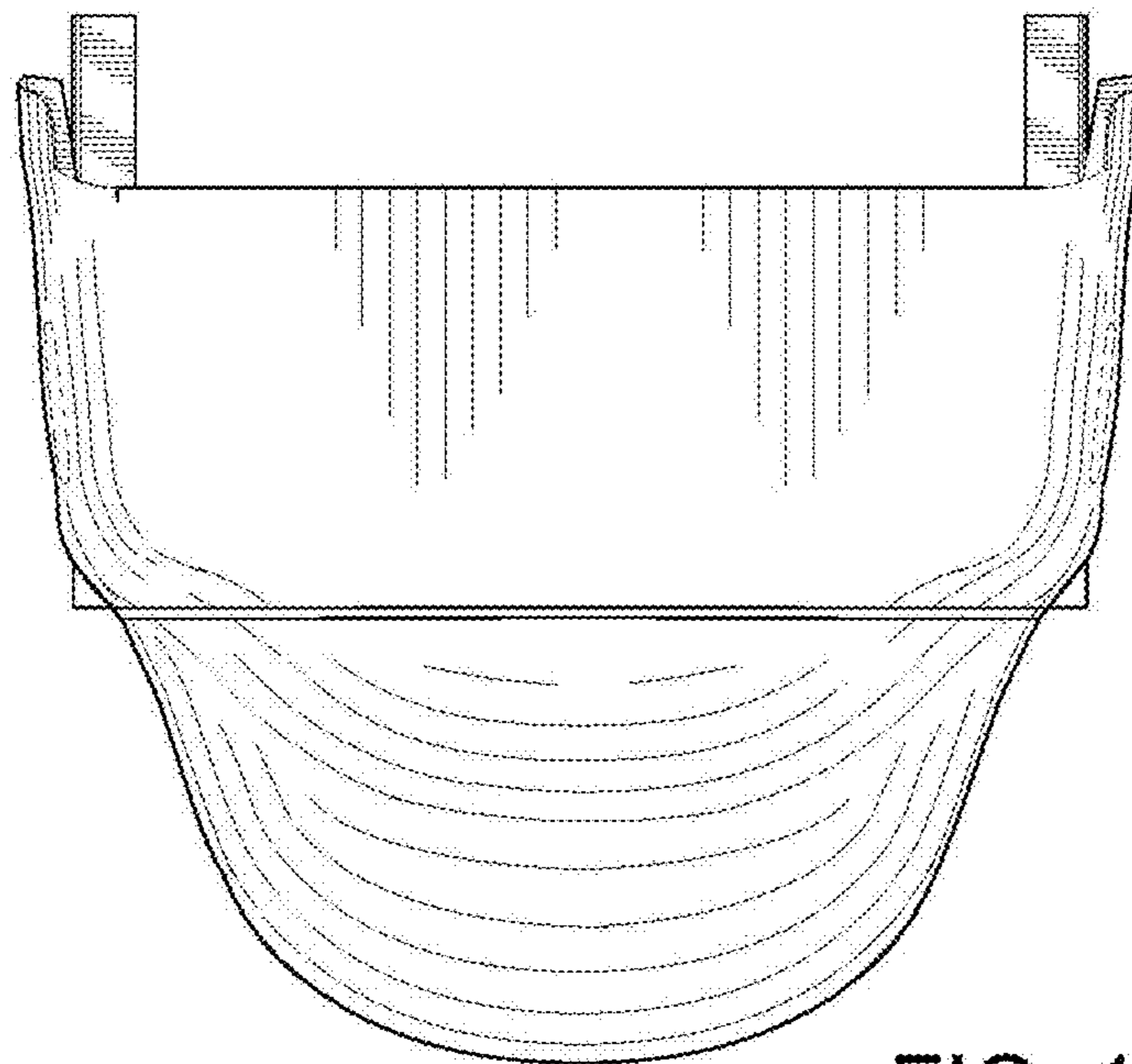


FIG. 10

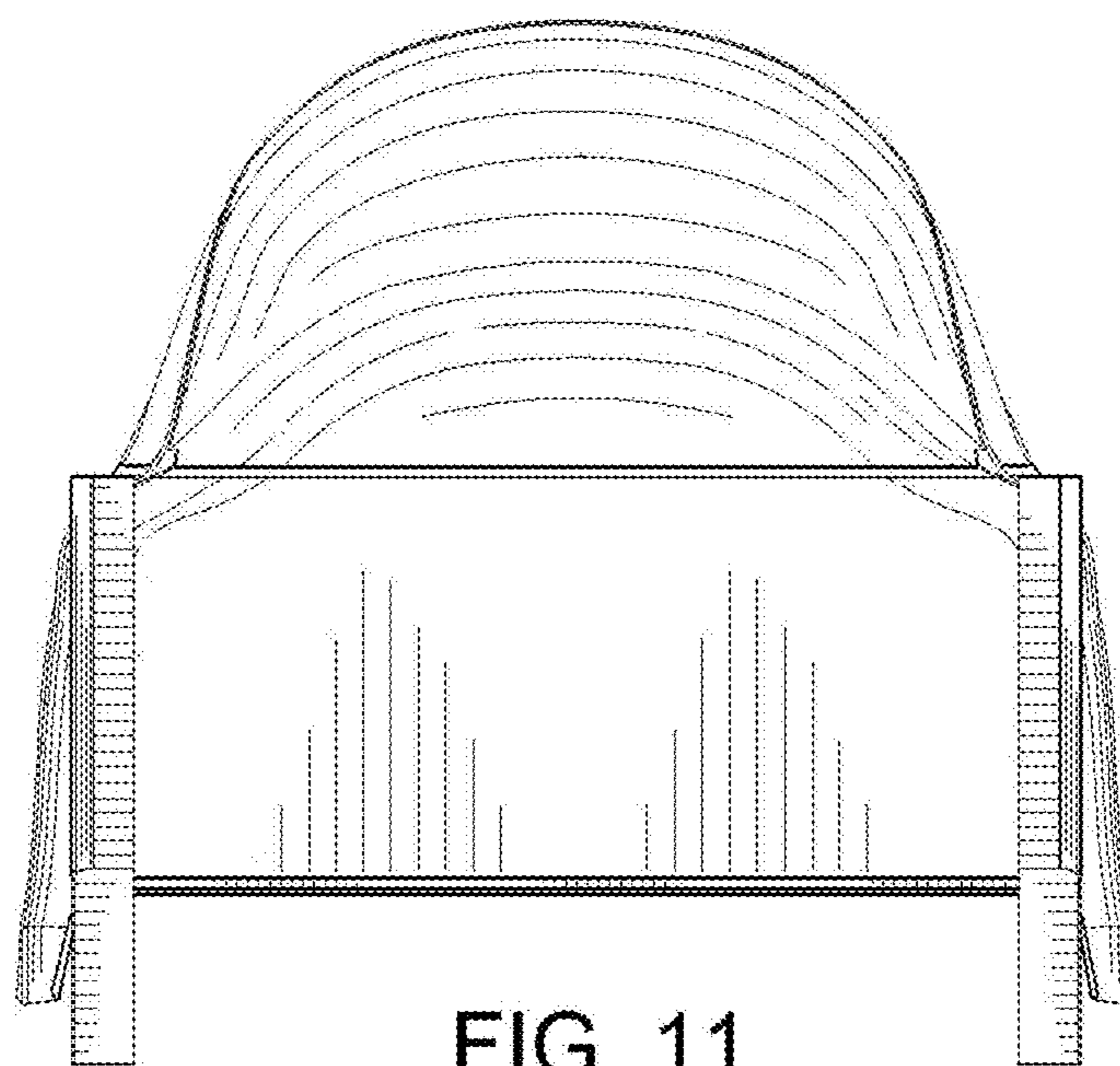


FIG. 11

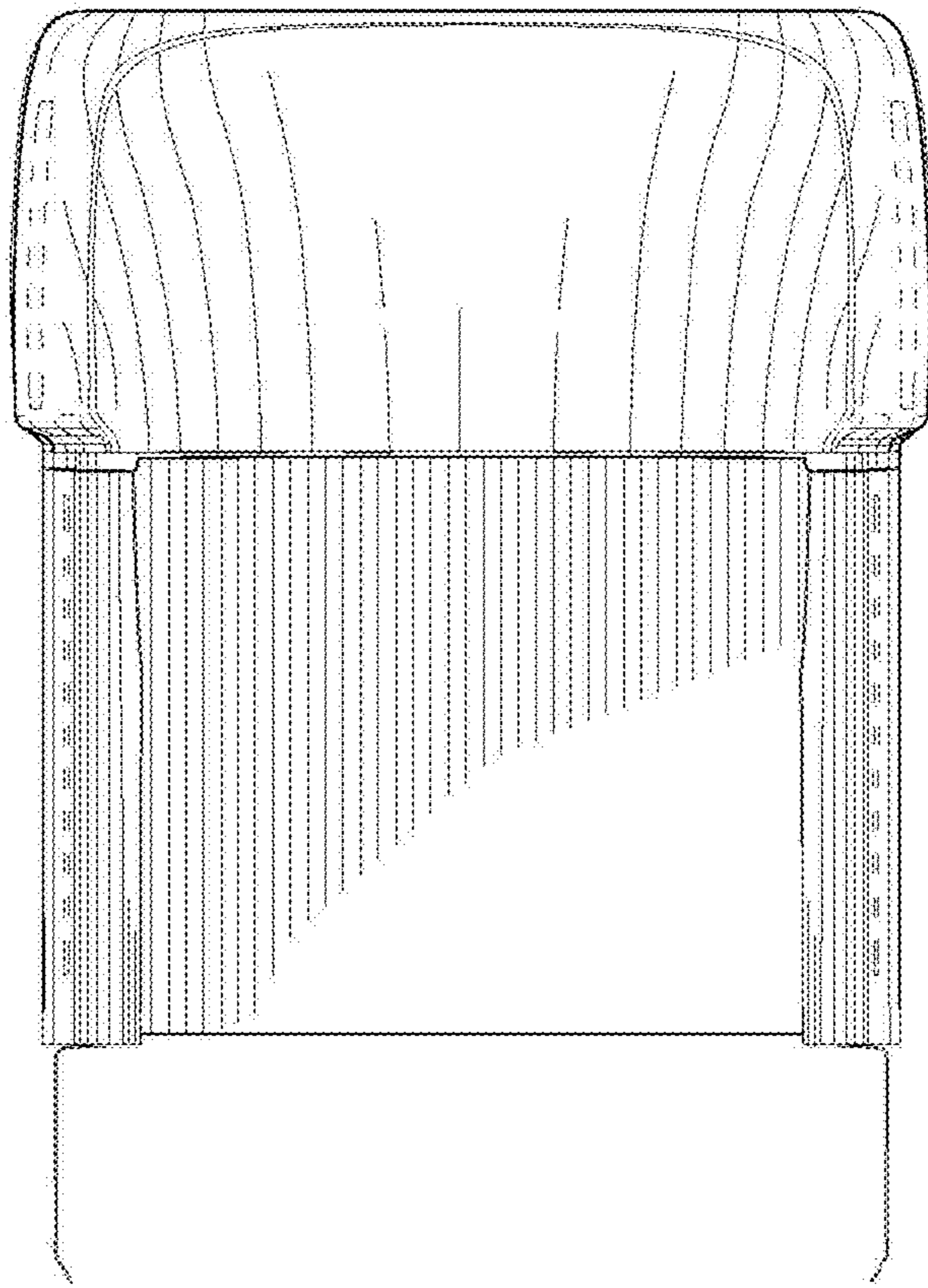


FIG. 12

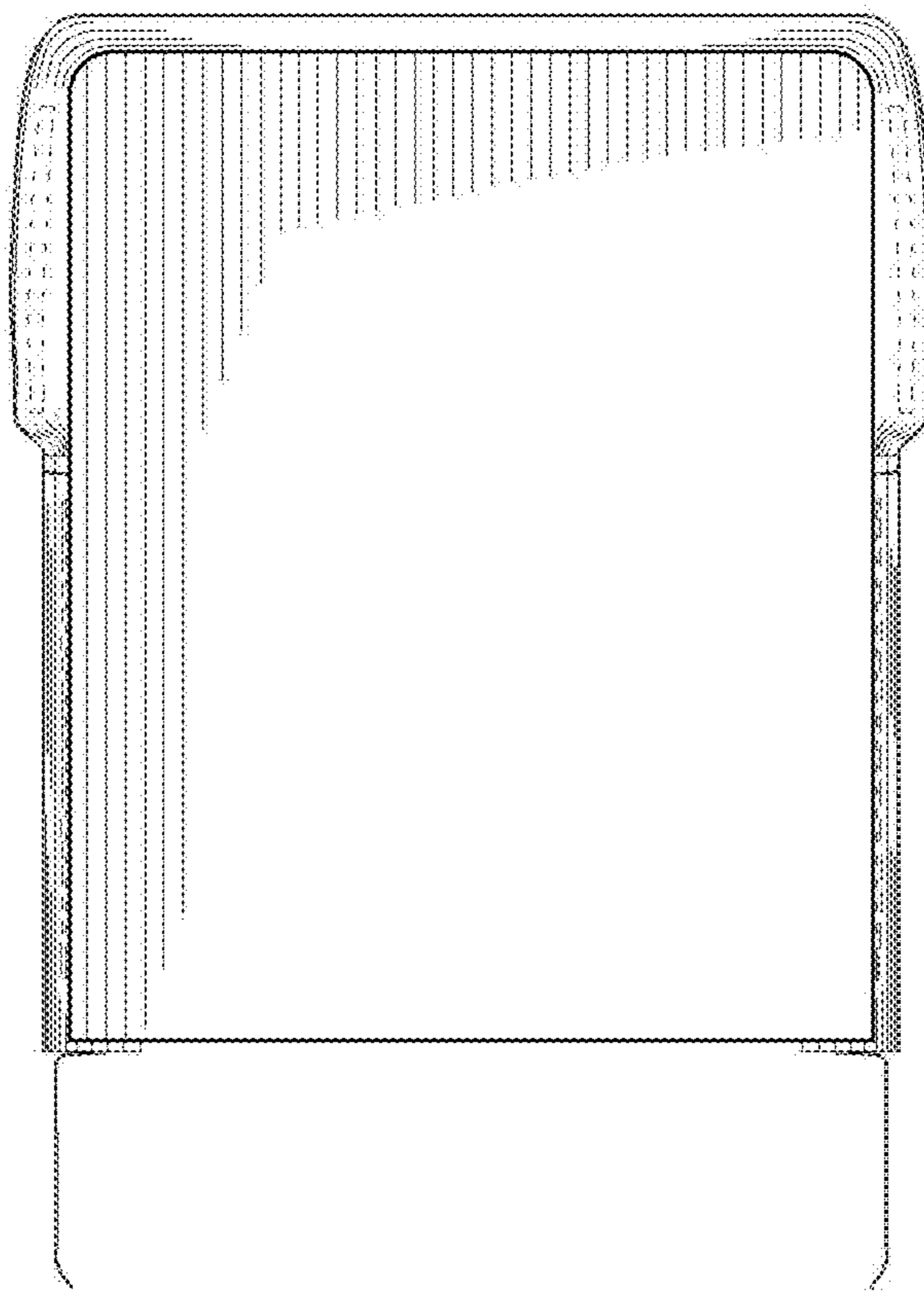


FIG. 13

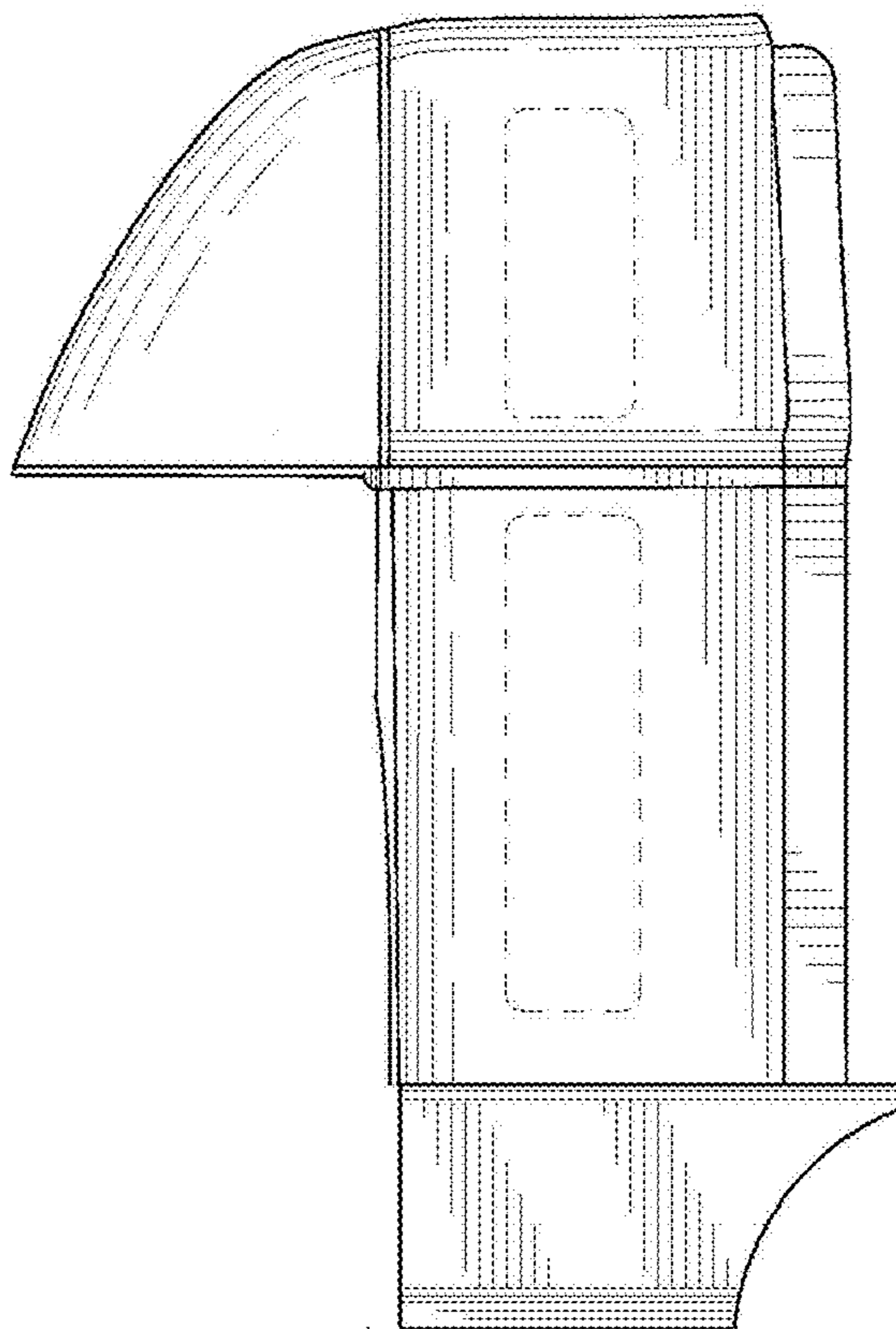


FIG. 14

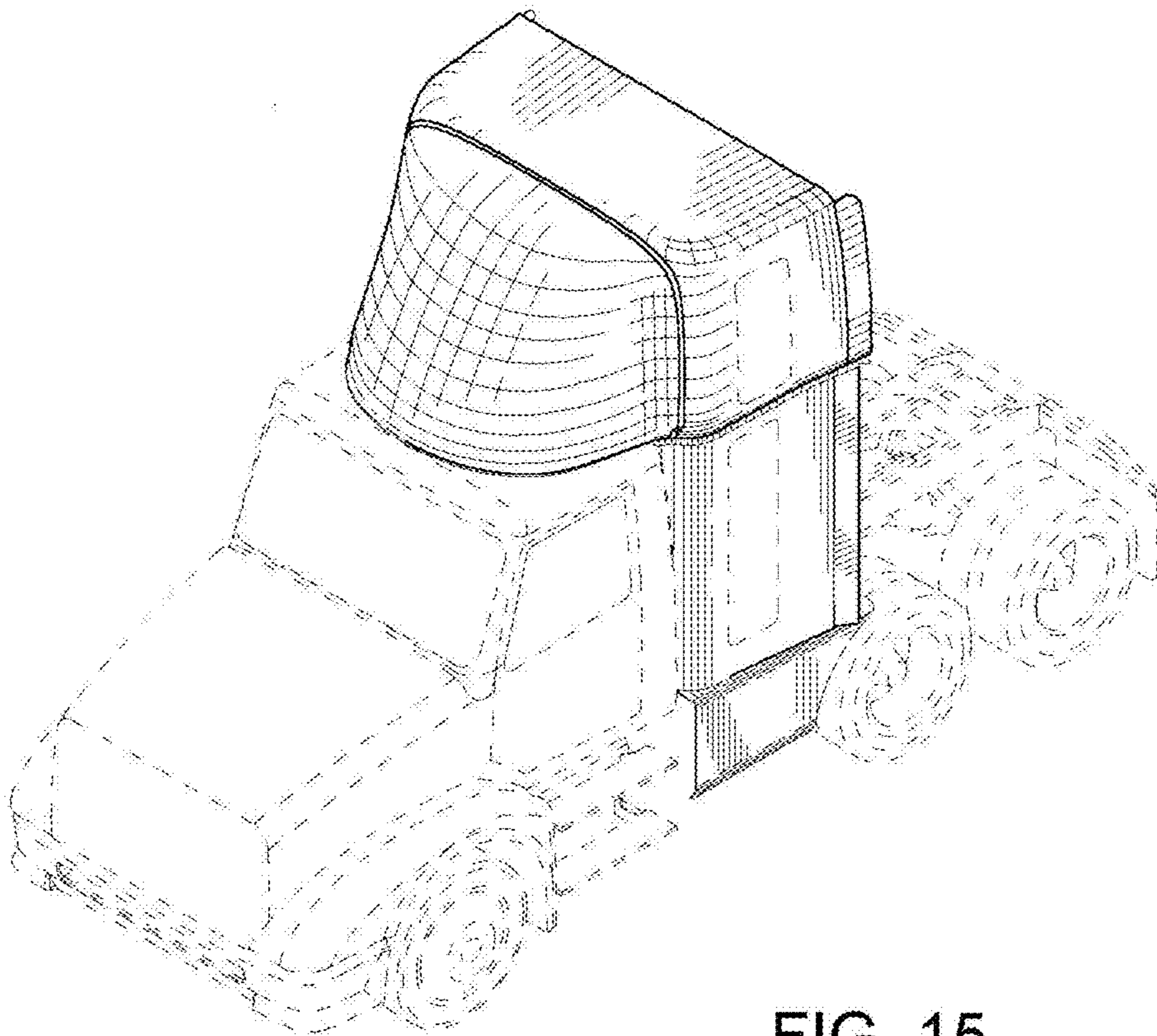


FIG. 15

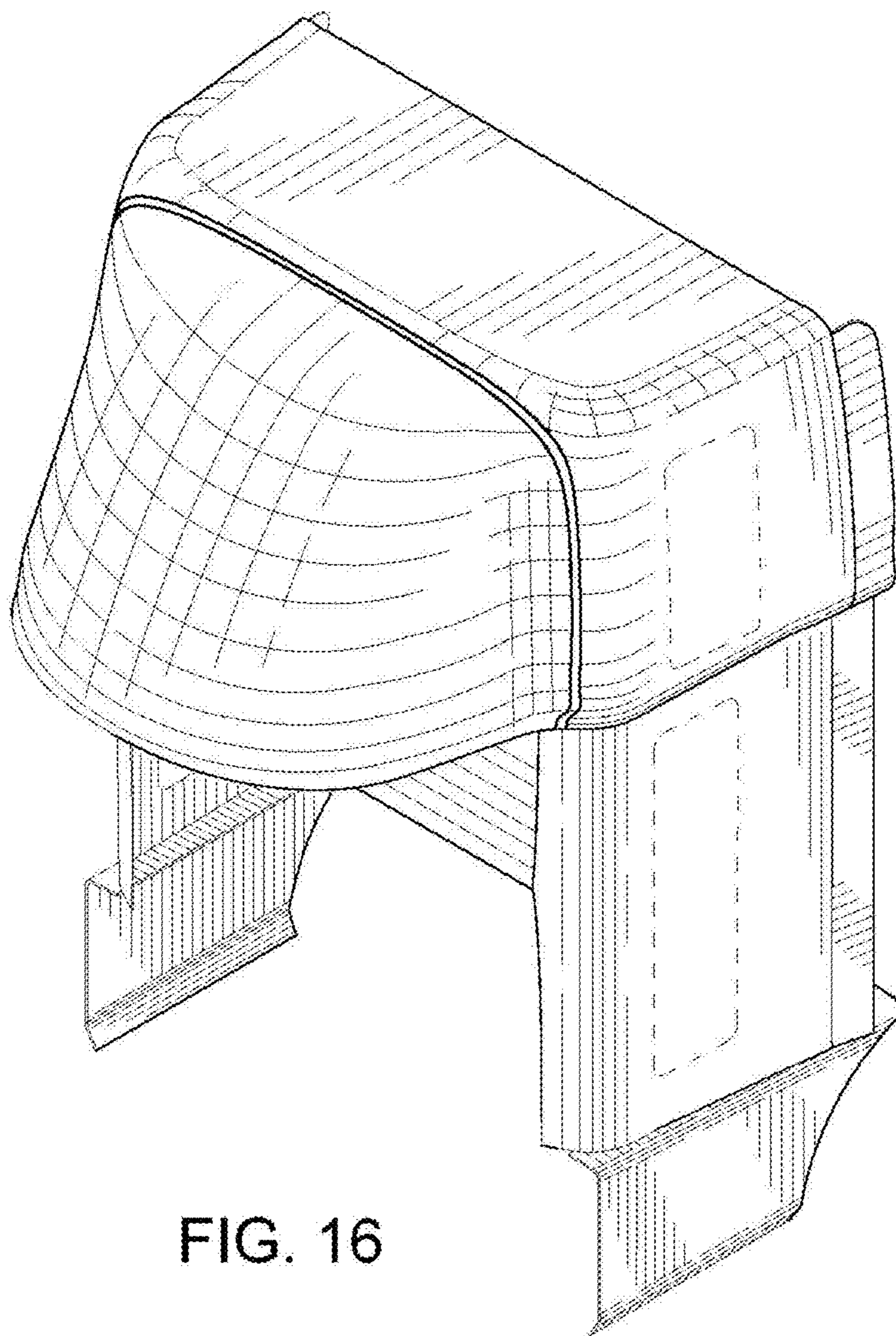


FIG. 16

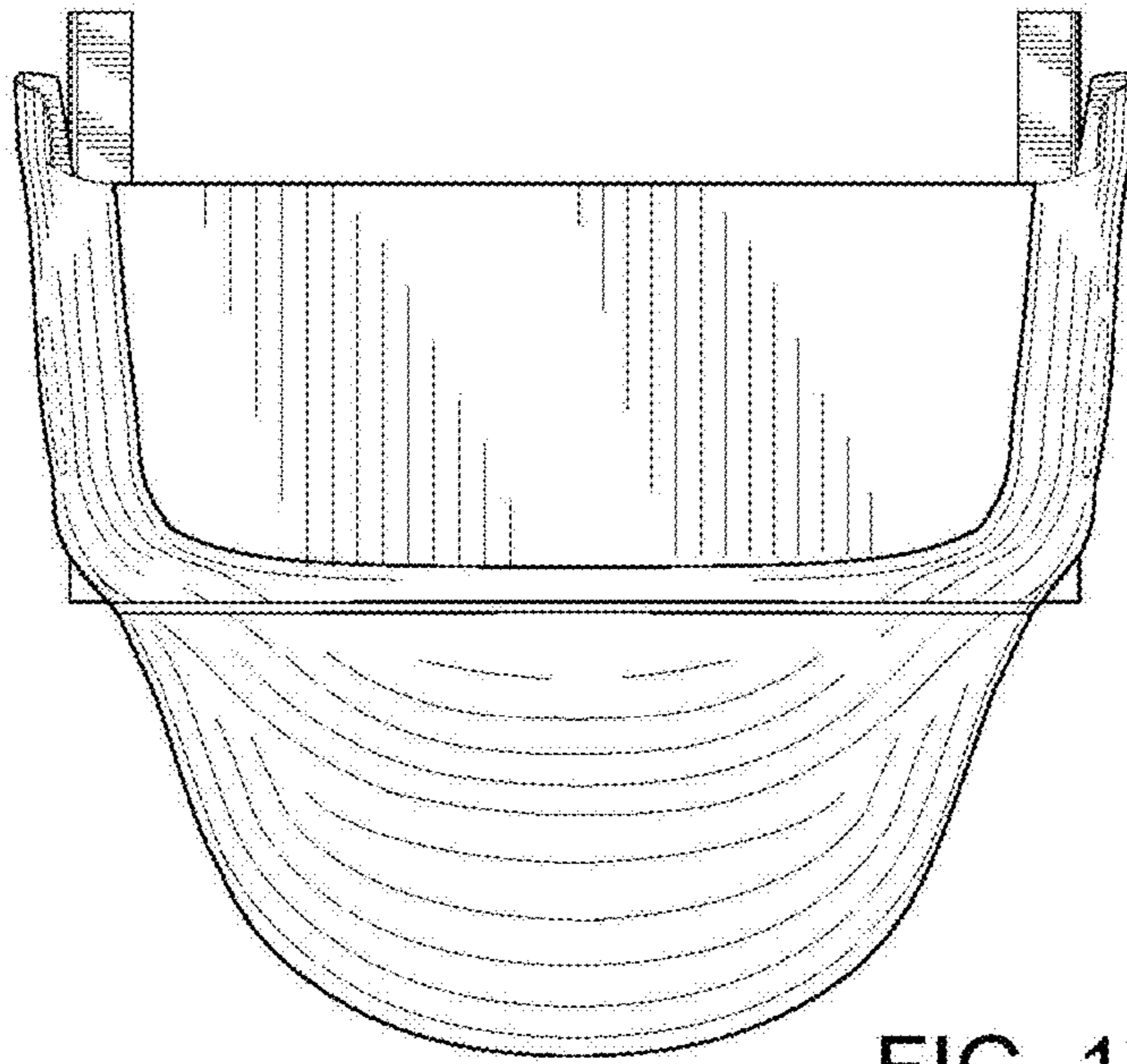


FIG. 17

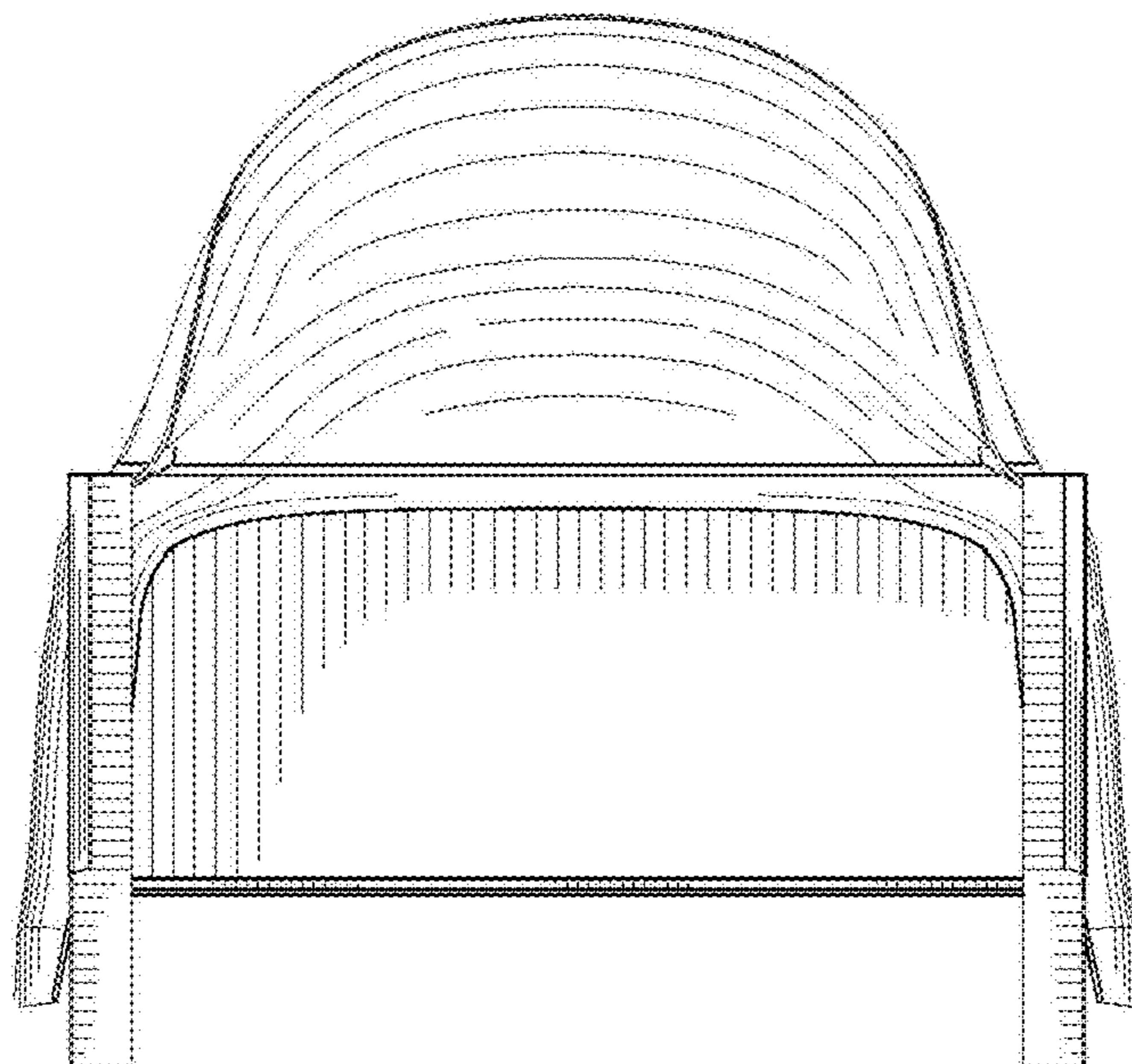


FIG. 18

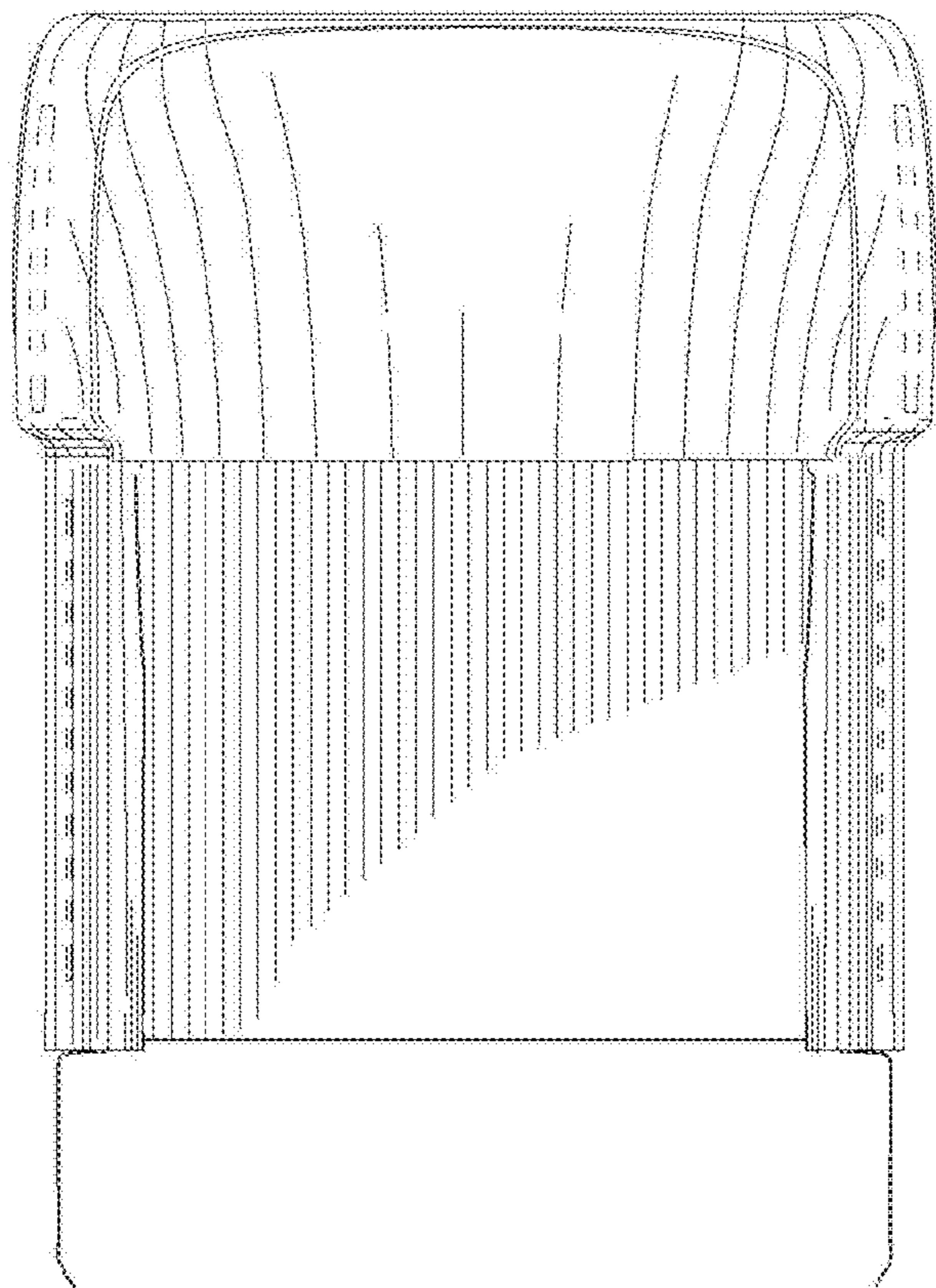


FIG. 19

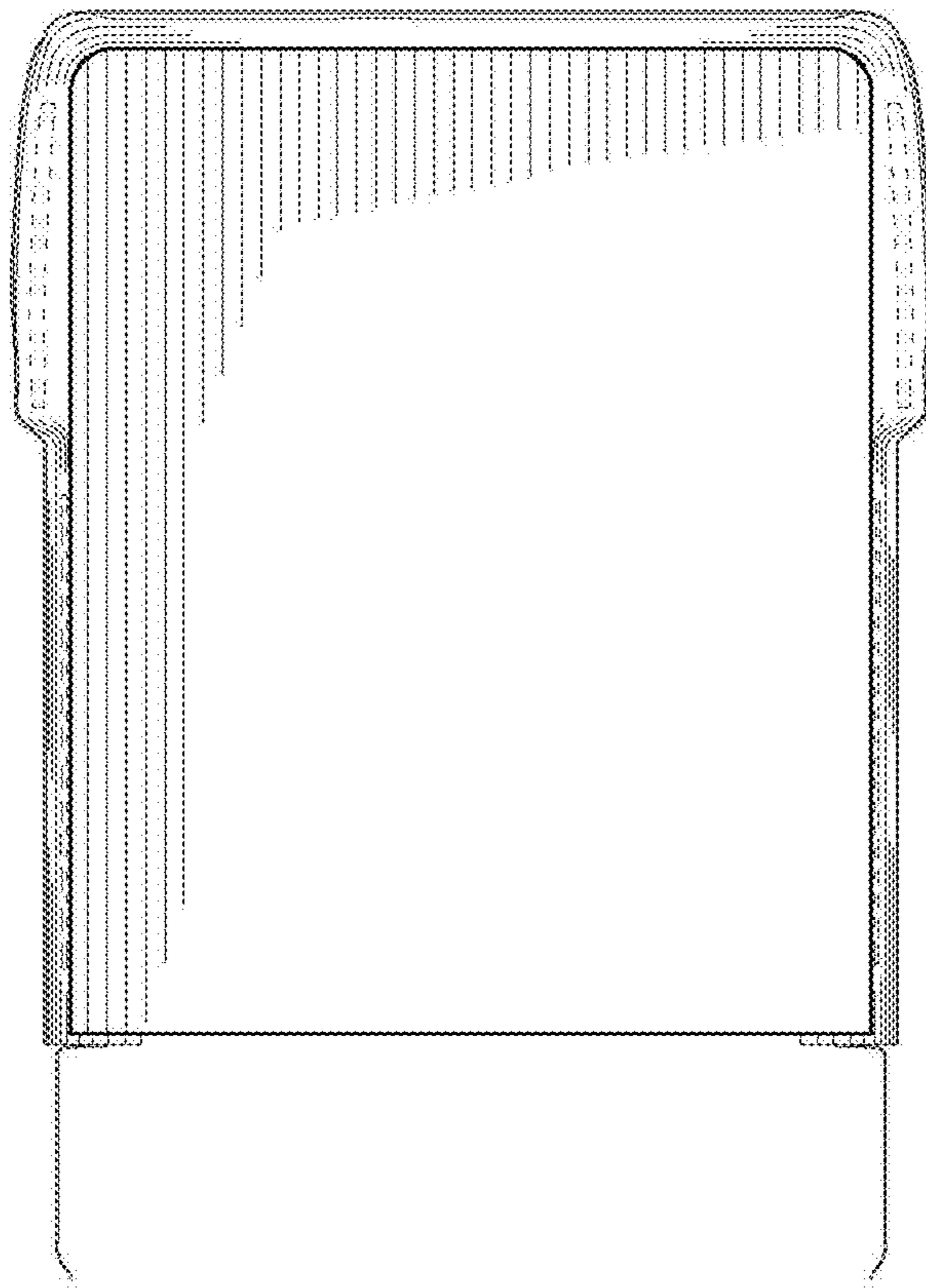


FIG. 20

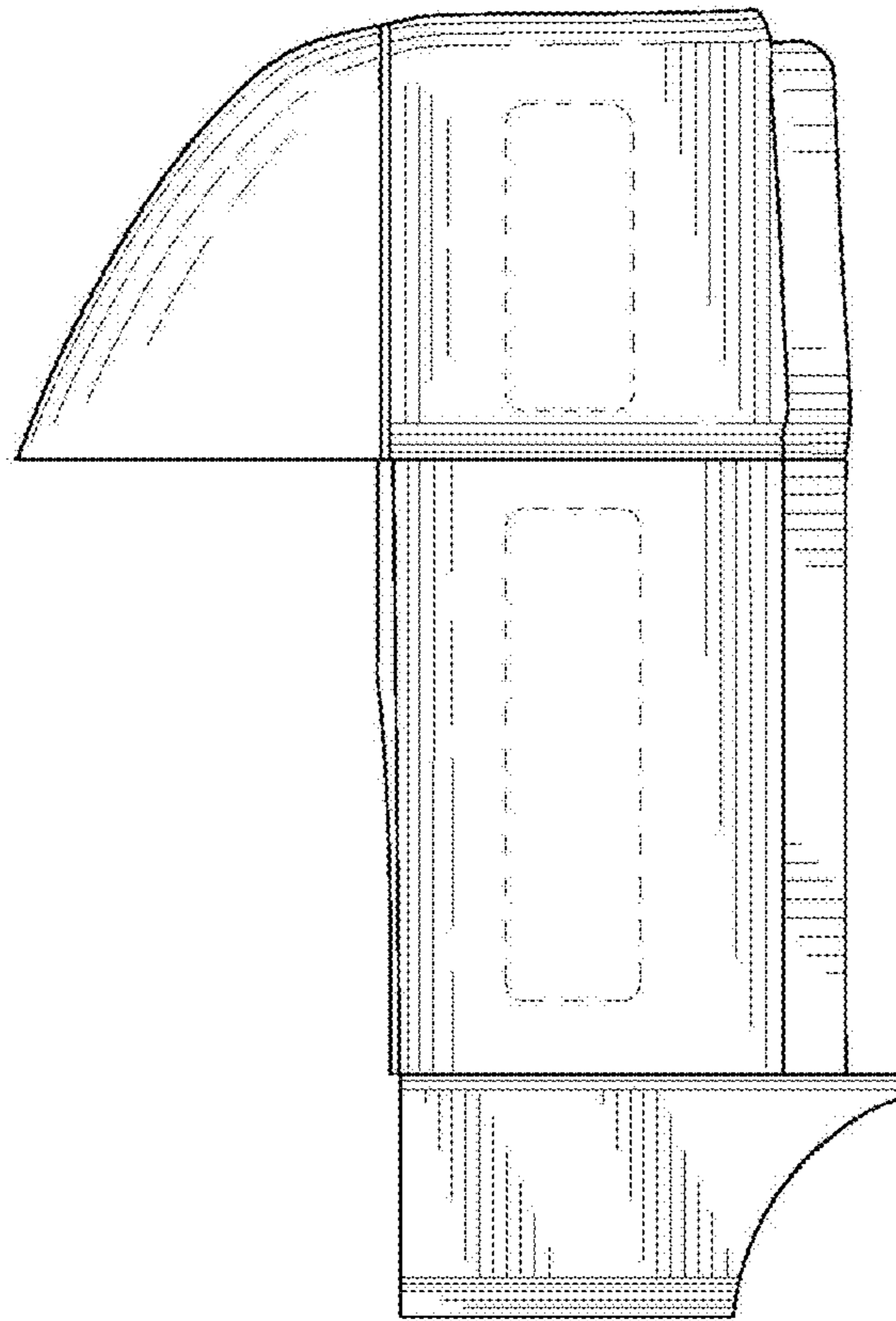


FIG. 21

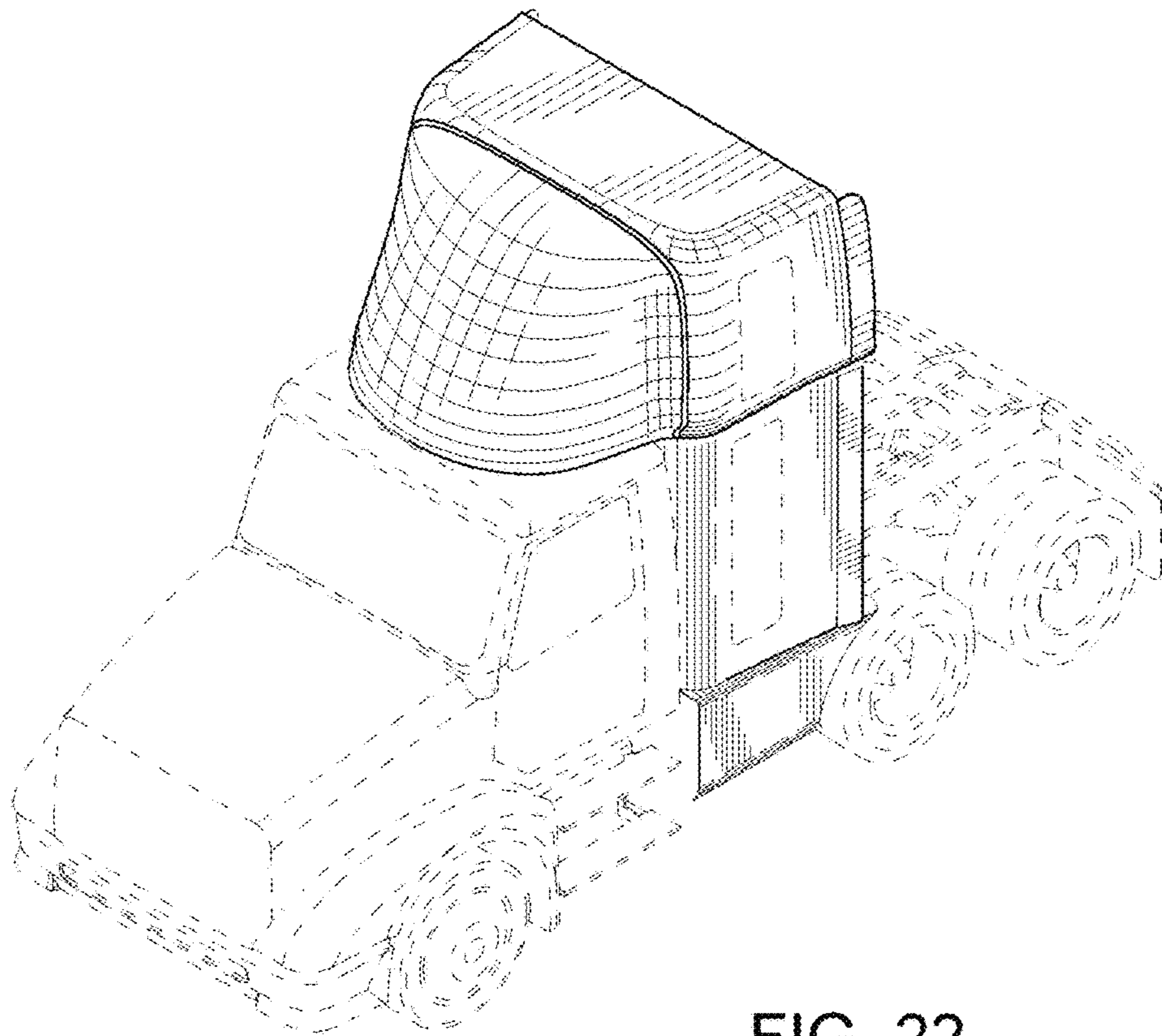


FIG. 22