



US00D854468S

(12) **United States Design Patent** (10) **Patent No.:** **US D854,468 S**
Munjurulimana et al. (45) **Date of Patent:** **** Jul. 23, 2019**

(54) **ENERGY ABSORPTION MEMBER**

FOREIGN PATENT DOCUMENTS

(71) Applicant: **SABIC Global Technologies B.V.**,
Bergen op Zoom (NL)

EP 1197398 A2 4/2002
EP 1894791 A2 3/2008

(Continued)

(72) Inventors: **Dinesh Munjurulimana**, Bangalore (IN); **Arunachala Parameshwara**, Bangalore (IN); **Venkatesha Narayanaswamy**, Bangalore (IN); **Dhanendra Nagwanshi**, Farmington Hills, MI (US); **Matthew M. Delaney**, Wixom, MI (US)

OTHER PUBLICATIONS

International Patent Application No. PCT/US2016/029547; Int'l Preliminary Report on Patentability; dated Nov. 9, 2017; 7 pages.

Primary Examiner — Darlington Ly

(73) Assignee: **SABIC GLOBAL TECHNOLOGIES B.V.**, Bergen op Zoom (NL)

(74) *Attorney, Agent, or Firm* — BakerHostetler LLP

(**) Term: **15 Years**

(57) **CLAIM**

(21) Appl. No.: **29/622,064**

The ornamental design for an energy absorption member, as shown and described.

(22) Filed: **Oct. 13, 2017**

Related U.S. Application Data

(62) Division of application No. 29/525,499, filed on Apr. 30, 2015, now Pat. No. Des. 803,113.

DESCRIPTION

(51) **LOC (11) Cl.** **12-16**

(52) **U.S. Cl.**
USPC **D12/172**

(58) **Field of Classification Search**
USPC D12/167, 169, 181, 190, 203, 414;
D25/62, 69, 123, 126, 127, 128, 129, 136
CPC .. B60R 3/00; B60R 3/02; B60R 13/04; B62D
21/157; B62D 25/02; B62D 25/20; B62D
35/008
See application file for complete search history.

FIG. 1 is a top, right, front perspective view of an energy absorption member according to an embodiment of our design;
FIG. 2 is a bottom, left, rear perspective view thereof;
FIG. 3 is another top, right, front perspective view thereof;
FIG. 4 is a top, left, rear perspective view thereof;
FIG. 5 is a bottom, left, front perspective view thereof;
FIG. 6 is a bottom, right, rear perspective view thereof;
FIG. 7 is a front elevation view thereof;
FIG. 8 is a rear elevation view thereof;
FIG. 9 is a bottom plan view thereof;
FIG. 10 is a top plan view thereof;
FIG. 11 is a right side elevation view thereof; and,
FIG. 12 is a left side elevation view thereof.

The broken lines in the drawings illustrate portions of the energy absorption member that form no part of the claimed design.

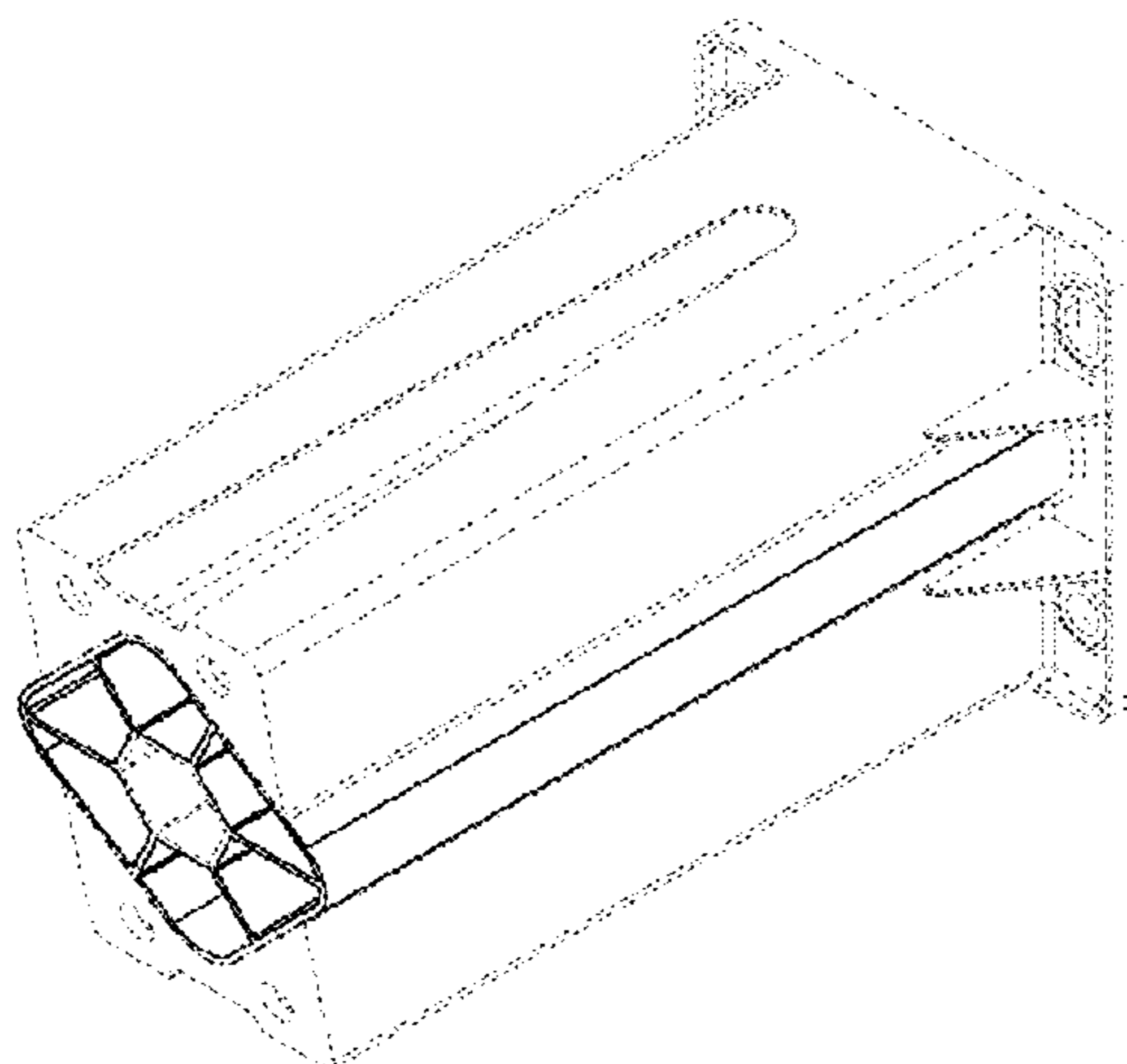
(56) **References Cited**

U.S. PATENT DOCUMENTS

D305,323 S * 1/1990 Anderson D12/203
4,934,721 A * 6/1990 Flores B60R 3/002
182/90
D318,039 S * 7/1991 Flores D12/203

(Continued)

1 Claim, 6 Drawing Sheets



(56)

References Cited

U.S. PATENT DOCUMENTS

D324,668 S * 3/1992 Anderson D12/203
 5,382,035 A * 1/1995 Waddington B60R 3/002
 280/169
 D476,927 S * 7/2003 Delgado D12/167
 6,938,936 B2 9/2005 Mooijman et al.
 7,044,515 B2 5/2006 Mooijman et al.
 D567,729 S * 4/2008 Crandall D12/203
 7,694,787 B2 4/2010 Kano et al.
 D618,148 S * 6/2010 Hoppert D12/203
 8,136,826 B2 * 3/2012 Watson B60R 3/02
 280/163
 8,459,726 B2 6/2013 Tyan et al.
 8,714,575 B2 * 5/2014 Watson B60R 3/002
 280/166
 8,757,687 B2 6/2014 Kaneko et al.
 8,844,986 B2 9/2014 Kaneko et al.
 D718,195 S * 11/2014 Hayes D12/167
 D746,187 S * 12/2015 Park D12/167

2003/0160418 A1* 8/2003 Farkash B60R 3/002
 280/164.1
 2004/0084820 A1 5/2004 Kato et al.
 2006/0043744 A1 3/2006 Iketo et al.
 2011/0015902 A1 1/2011 Cheng et al.
 2011/0291431 A1 12/2011 Buschsieweke et al.
 2012/0104719 A1* 5/2012 Hayes B60R 3/02
 280/163
 2012/0104778 A1 5/2012 Mana et al.
 2013/0001963 A1 1/2013 Haneda et al.
 2013/0175813 A1 7/2013 Mana et al.
 2013/0193699 A1 8/2013 Zannier
 2015/0069774 A1 3/2015 Mukainakano et al.

FOREIGN PATENT DOCUMENTS

EP 2406109 A1 1/2012
 FR 2761434 A1 10/1998
 WO 2014113580 A1 7/2014

* cited by examiner

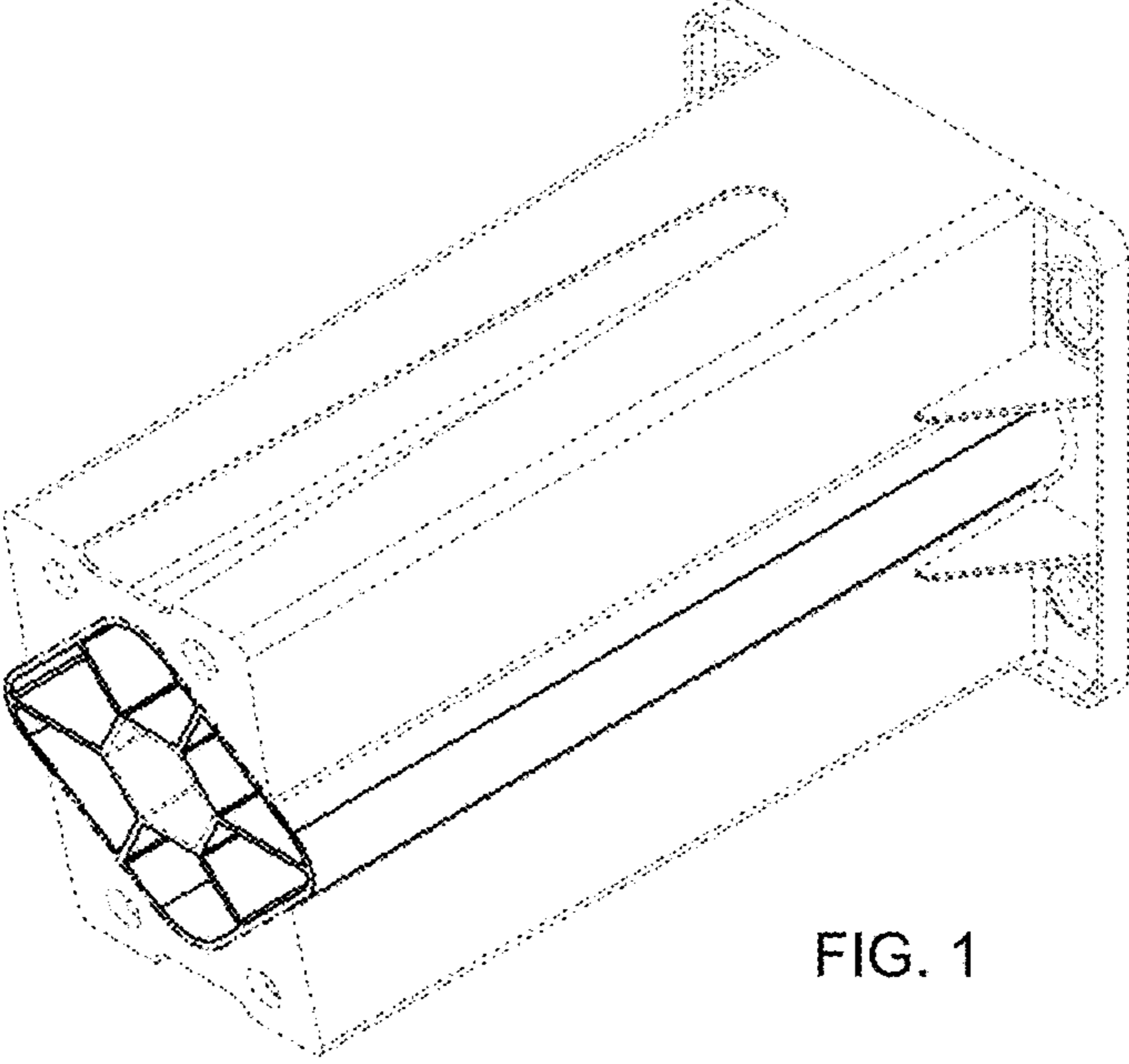


FIG. 1

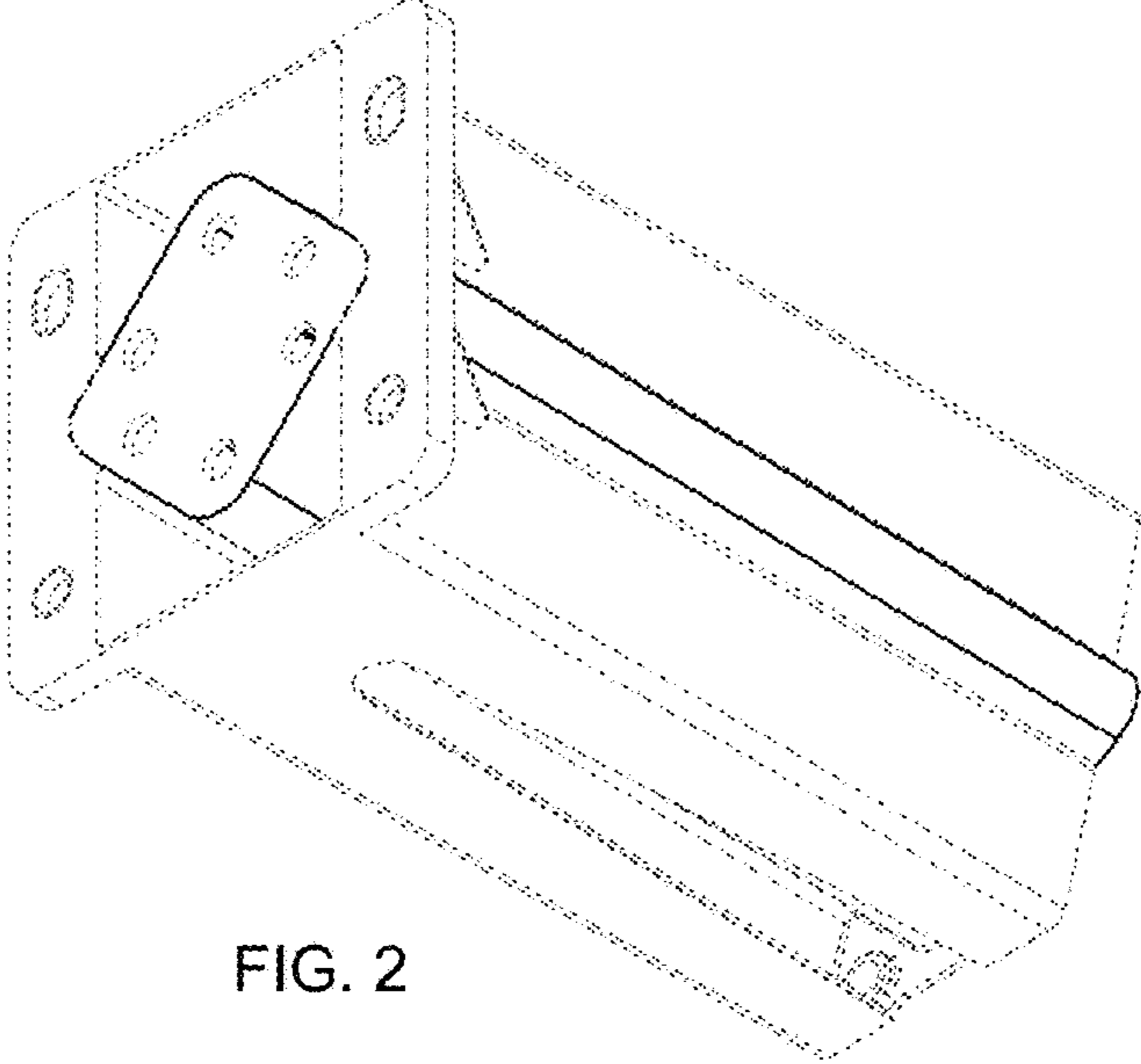


FIG. 2

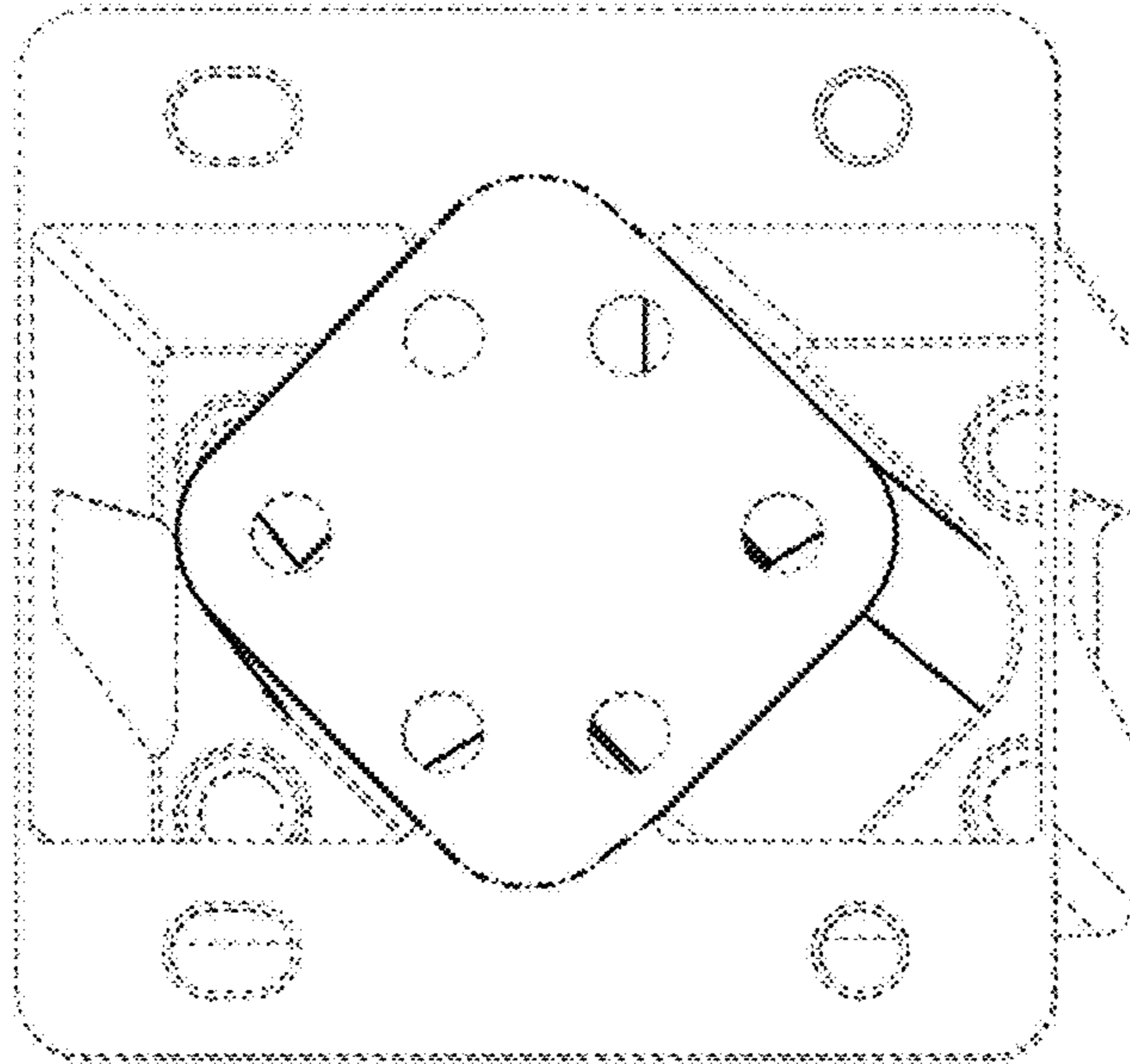


FIG. 4

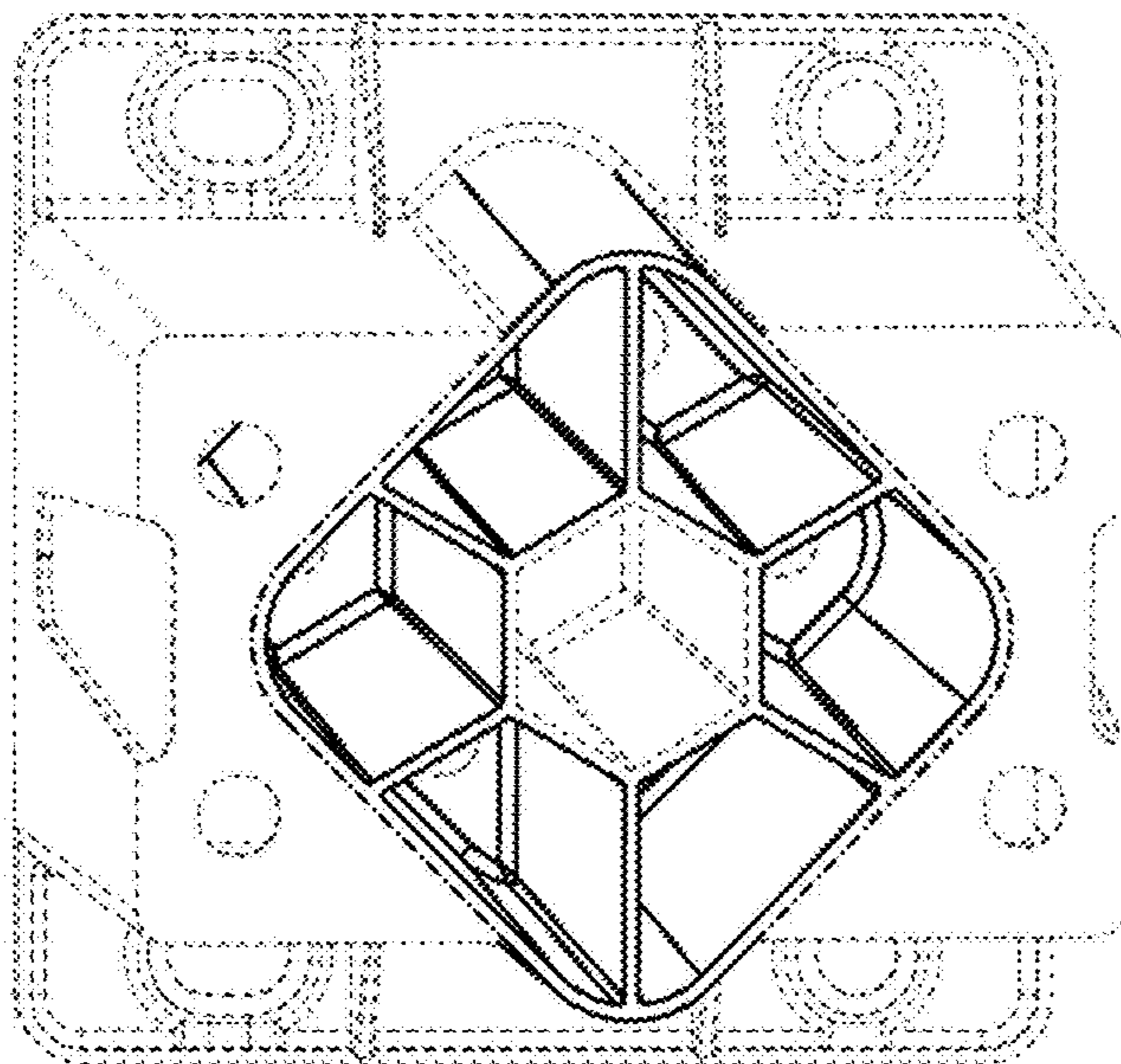


FIG. 3

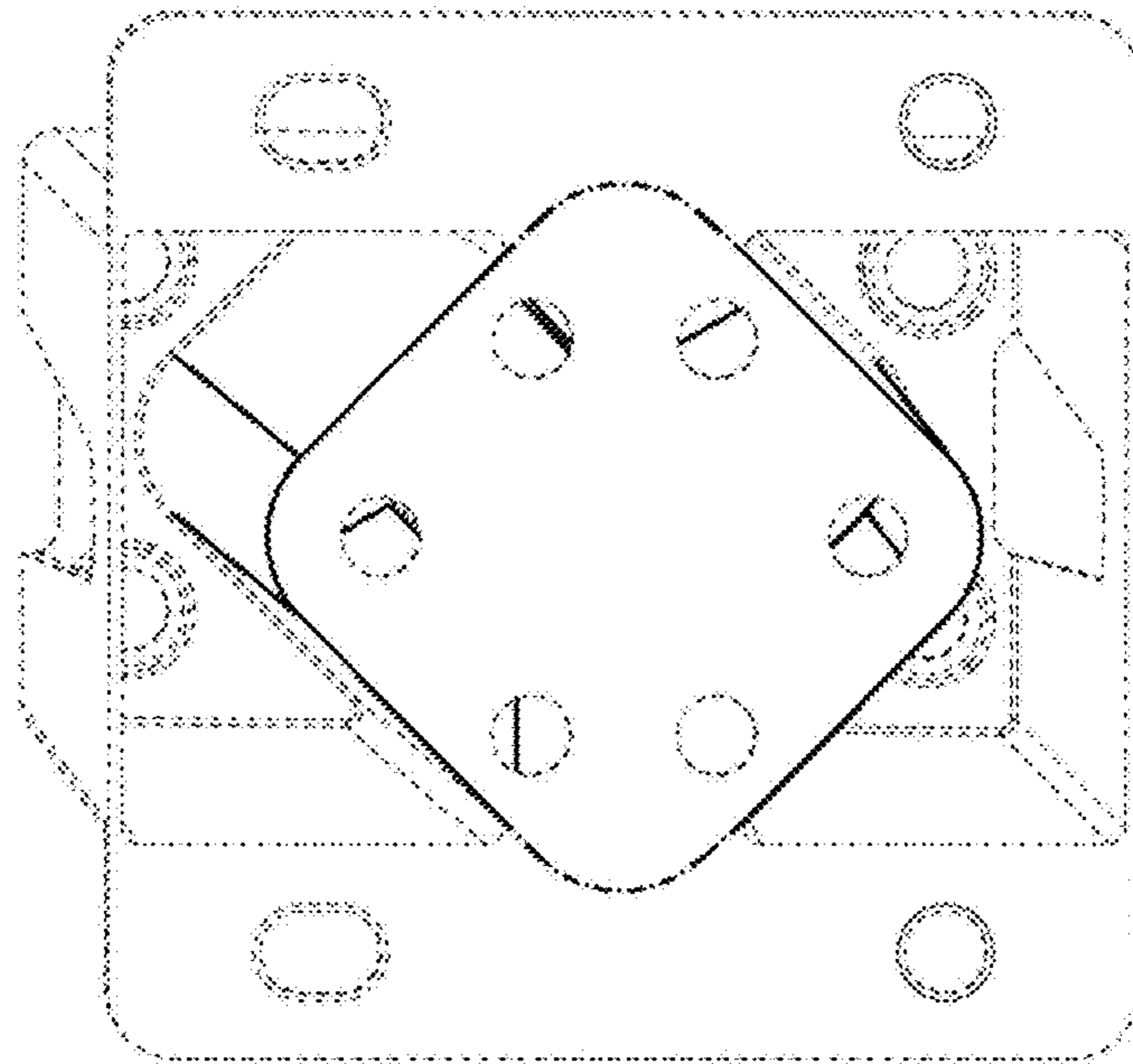


FIG. 6

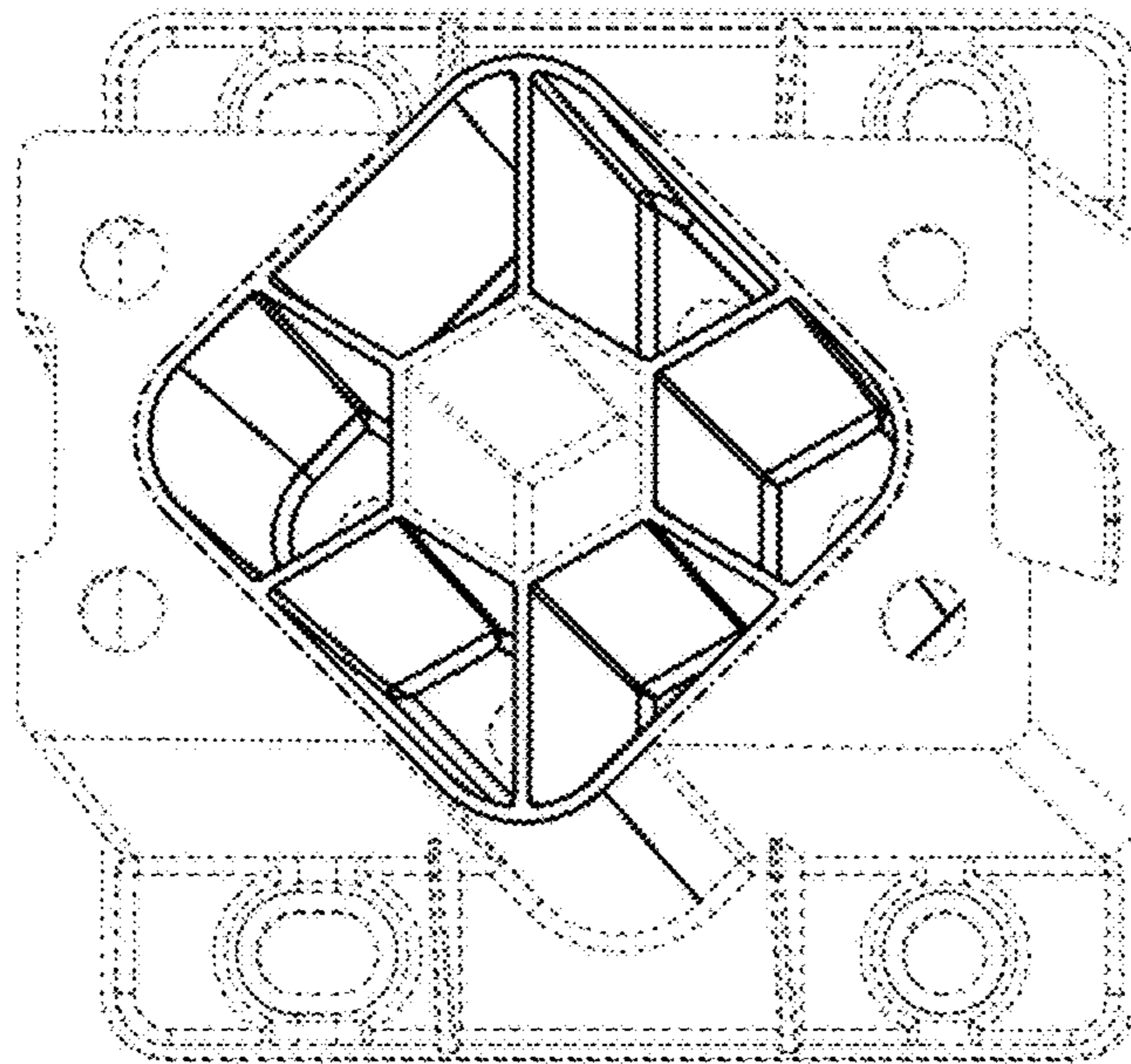


FIG. 5

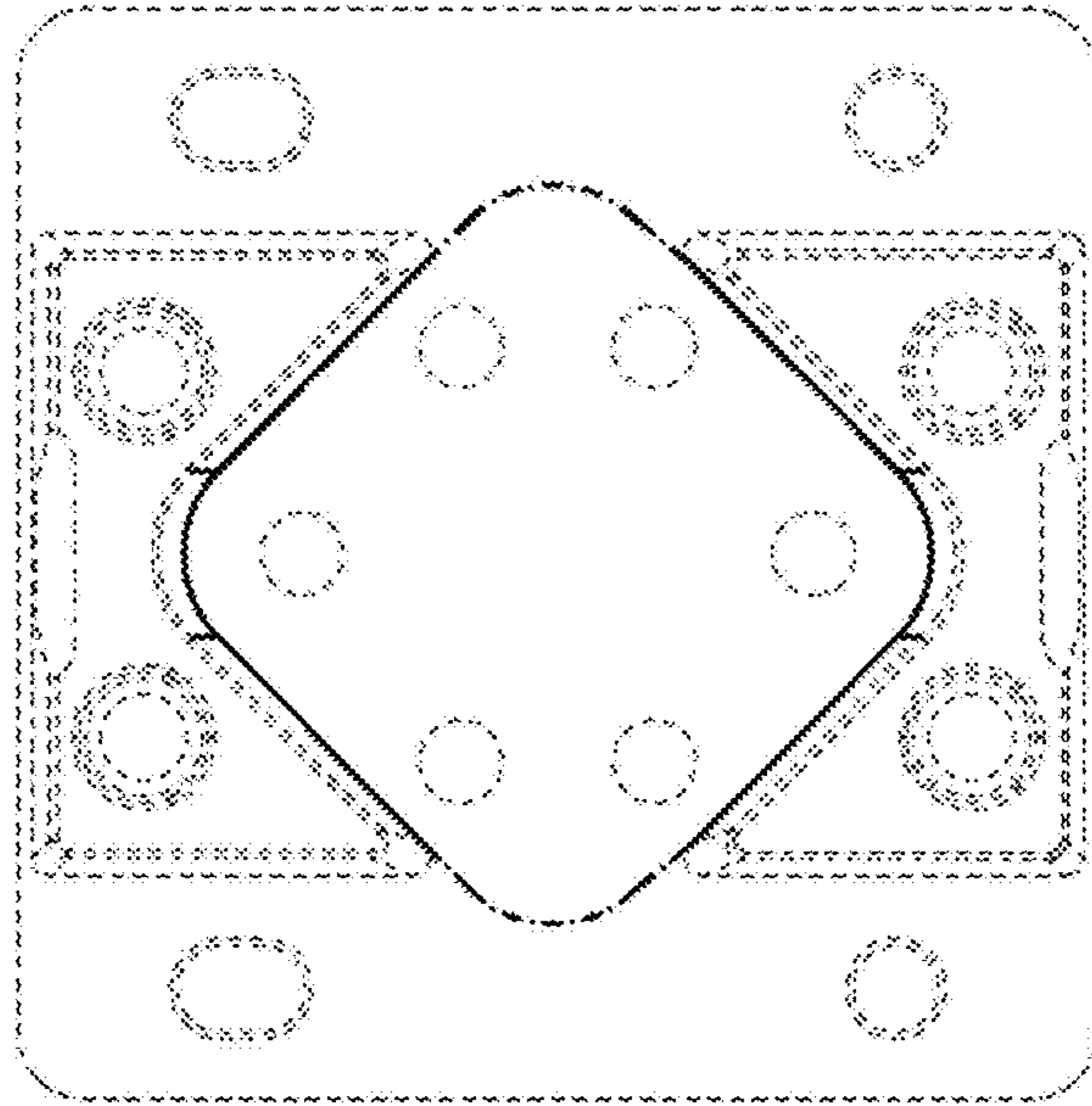


FIG. 8

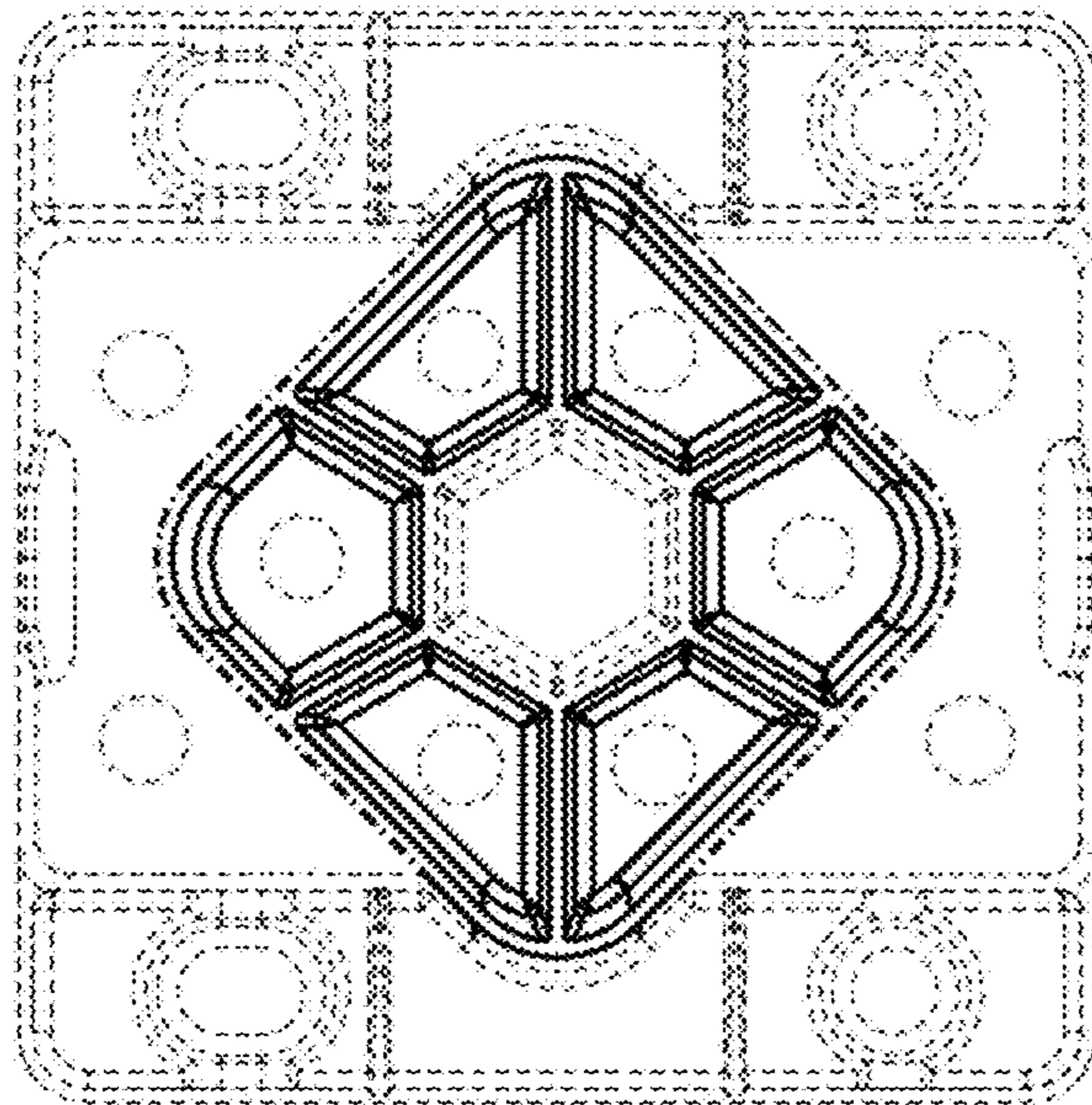


FIG. 7

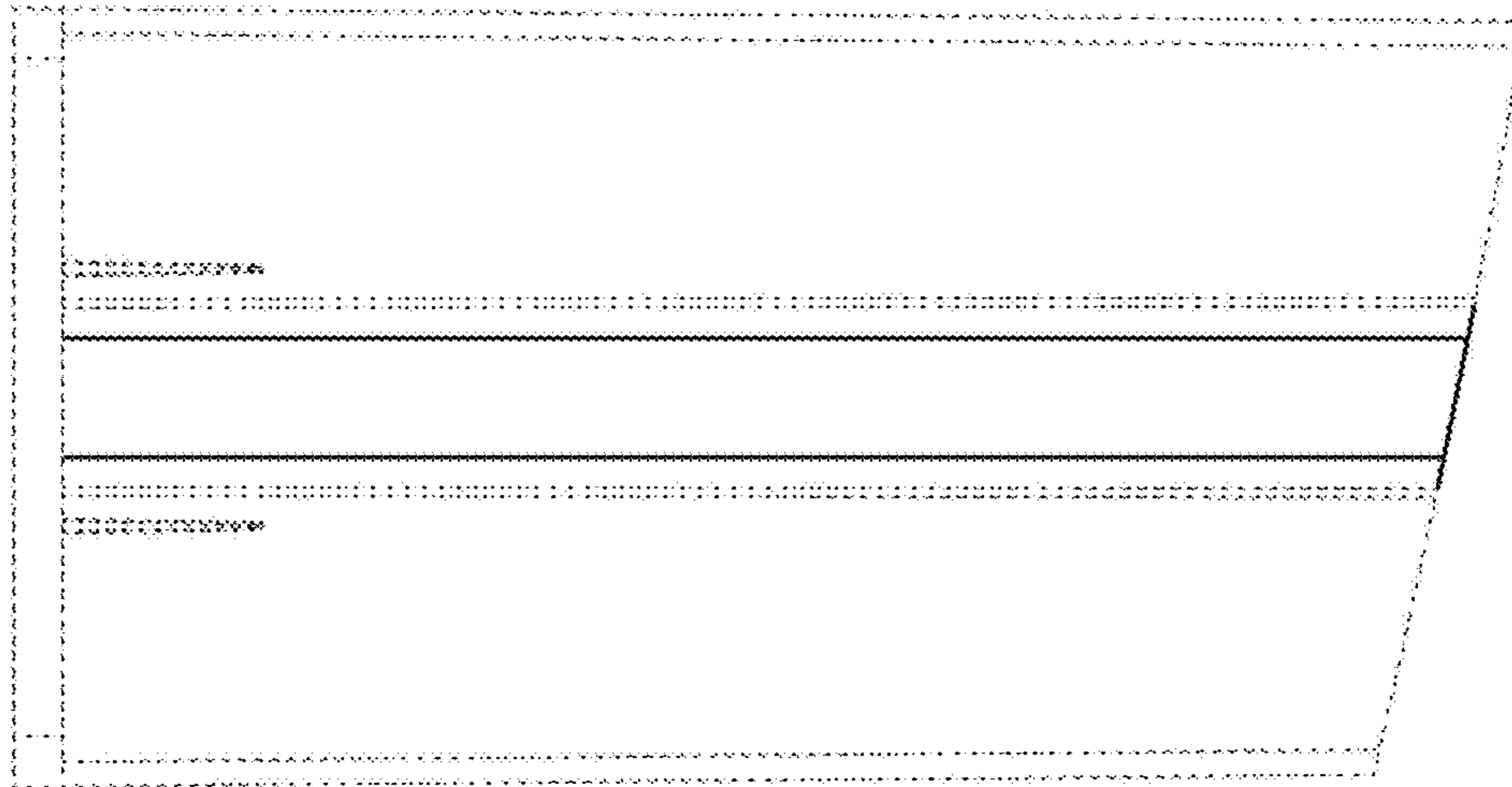


FIG. 9

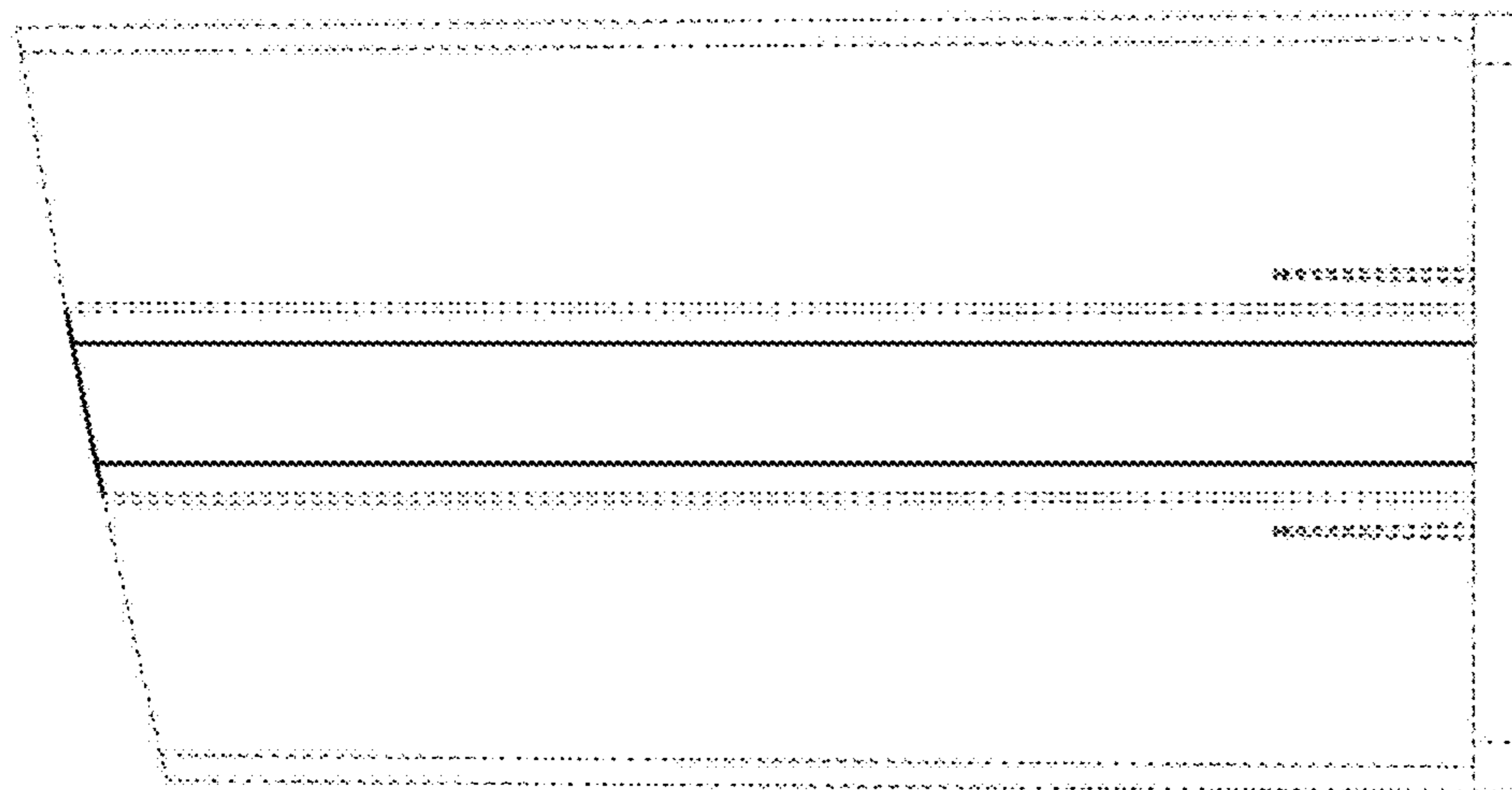


FIG. 10

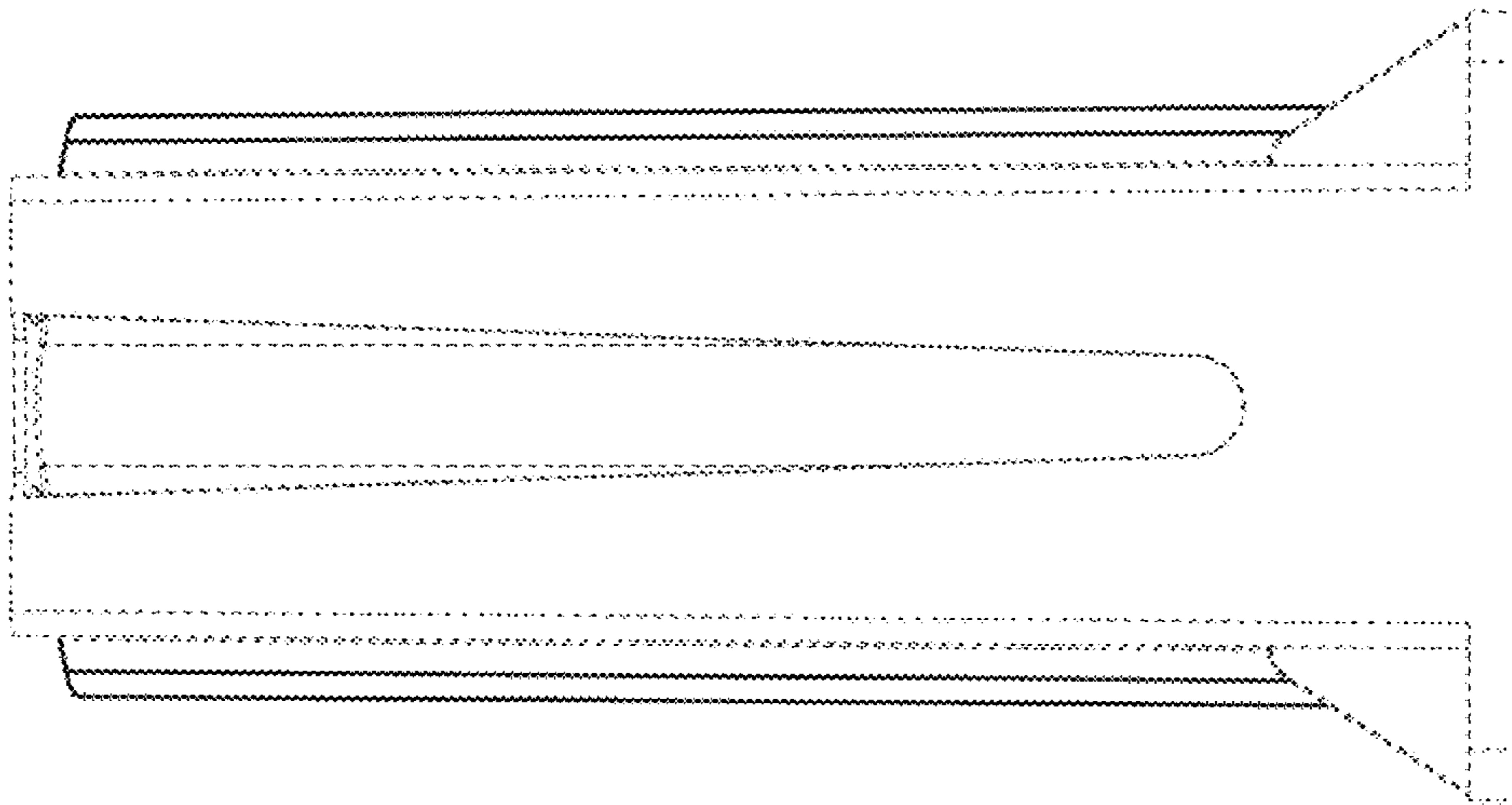


FIG. 11

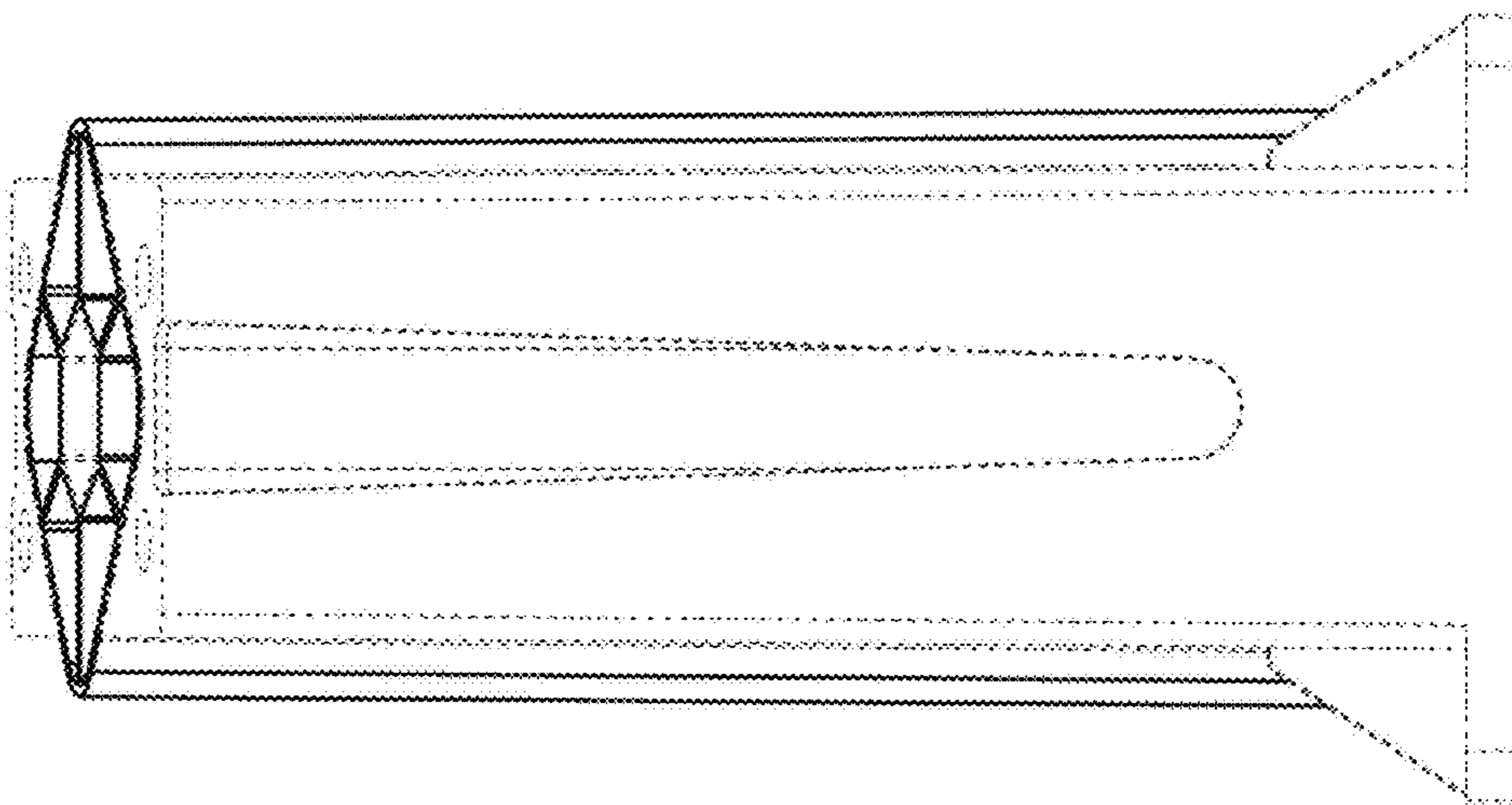


FIG. 12