



US00D854463S

(12) **United States Design Patent** (10) **Patent No.:** **US D854,463 S**  
**Betancourt et al.** (45) **Date of Patent:** **\*\* Jul. 23, 2019**

(54) **VEHICLE FRONT LOWER GRILLE**

(71) Applicant: **Ford Global Technologies, LLC,**  
Dearborn, MI (US)

(72) Inventors: **Melvin Betancourt,** Shelby Township,  
MI (US); **Eric Stoddard,** Birmingham,  
MI (US); **Daniel J. Kangas,** Dearborn  
Heights, MI (US); **Darrell P. Behmer,**  
Novi, MI (US); **Craig S. Metros,**  
Bloomfield, MI (US); **Christopher**  
**Svensson,** Bloomfield, MI (US)

(73) Assignee: **Ford Global Technologies, LLC,**  
Dearborn, MI (US)

(\*\*) Term: **15 Years**

(21) Appl. No.: **29/640,721**

(22) Filed: **Mar. 16, 2018**

(51) **LOC (11) Cl.** ..... **12-16**

(52) **U.S. Cl.**  
USPC ..... **D12/163**

(58) **Field of Classification Search**  
USPC ..... D12/169, 196, 86, 90-92, 163, 190, 98,  
D12/164; 293/102, 113, 115, 117, 120,  
293/193.11; 296/180.1, 180.2; 180/68.1,  
180/68.6  
CPC ..... B60R 19/52; B60K 11/08; B62D 25/08;  
B62B 9/16  
See application file for complete search history.

(56) **References Cited**

U.S. PATENT DOCUMENTS

D473,500 S \* 4/2003 Okumoto ..... D12/169  
D502,675 S \* 3/2005 Ichinose ..... D12/169  
D504,366 S \* 4/2005 Ishibashi ..... D12/169  
D533,819 S \* 12/2006 Hogios ..... D12/169

D561,072 S \* 2/2008 Golden ..... D12/169  
D593,460 S \* 6/2009 Schiavone ..... D12/163  
D680,921 S \* 4/2013 Jara ..... D12/163  
D681,514 S \* 5/2013 Platto ..... D12/163  
D683,667 S \* 6/2013 Platto ..... D12/163  
D685,690 S \* 7/2013 Svensson ..... D12/163  
D712,319 S \* 9/2014 Mays ..... D12/163  
D740,184 S \* 10/2015 Blanski ..... D12/163  
D758,927 S \* 6/2016 Messale ..... D12/163  
D771,533 S \* 11/2016 Kapitonov ..... D12/169  
D771,534 S \* 11/2016 Bucher ..... D12/169  
D780,646 S \* 3/2017 Wolff ..... D12/163  
D786,743 S \* 5/2017 Smith ..... D12/163  
D788,656 S \* 6/2017 Svensson ..... D12/163  
D789,840 S \* 6/2017 Curic ..... D12/163  
D791,653 S \* 7/2017 Svensson ..... D12/163  
D815,570 S \* 4/2018 McMahan ..... D12/163  
D819,512 S \* 6/2018 Behmer ..... D12/163  
D827,513 S \* 9/2018 Gueler ..... D12/163  
D837,700 S \* 1/2019 Gueler ..... D12/163

\* cited by examiner

*Primary Examiner* — Melody N Brown

(74) *Attorney, Agent, or Firm* — Vichit Chea

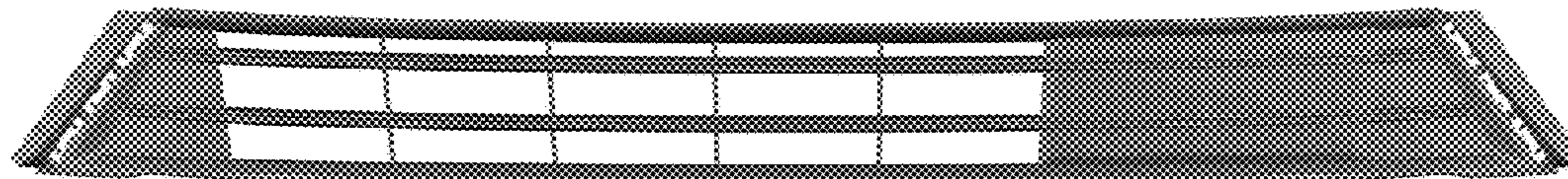
(57) **CLAIM**

The ornamental design for a vehicle front lower grille, as shown and described.

**DESCRIPTION**

FIG. 1 is a front elevational view of a vehicle front lower grille, showing our new design;  
FIG. 2 is a left side elevational view thereof;  
FIG. 3 is a right side elevational view thereof;  
FIG. 4 is a top plan view thereof;  
FIG. 5 is a bottom plan view thereof;  
FIG. 6 is a top, front, and left side perspective view thereof;  
and,  
FIG. 7 is a bottom, front, and left side perspective view thereof.

**1 Claim, 7 Drawing Sheets**



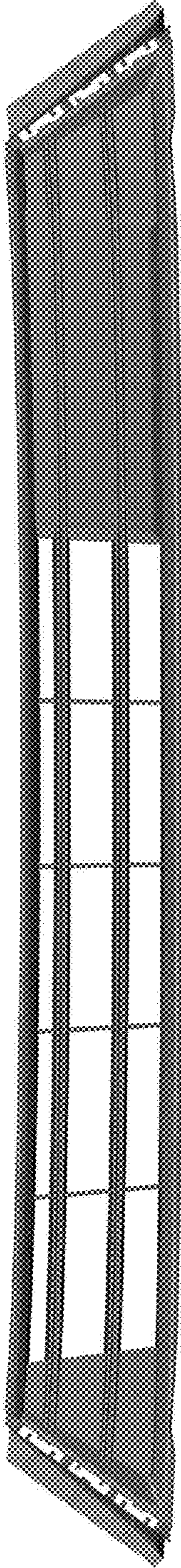
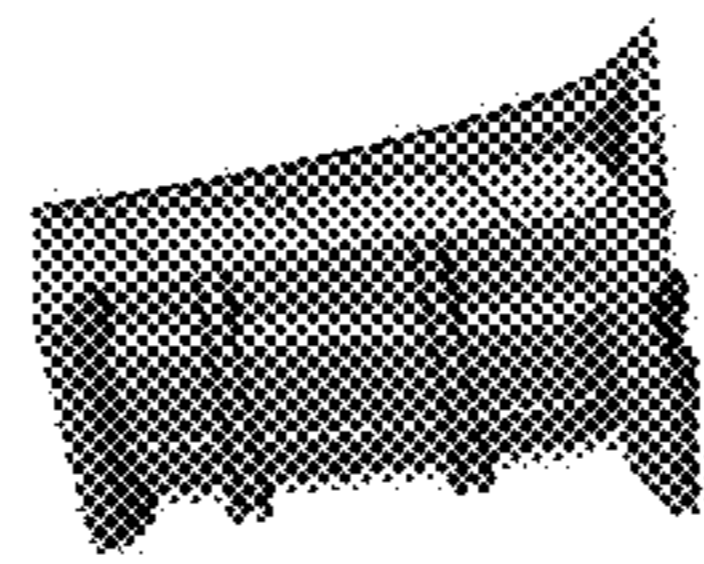


Fig. 1



*Fig. 2*

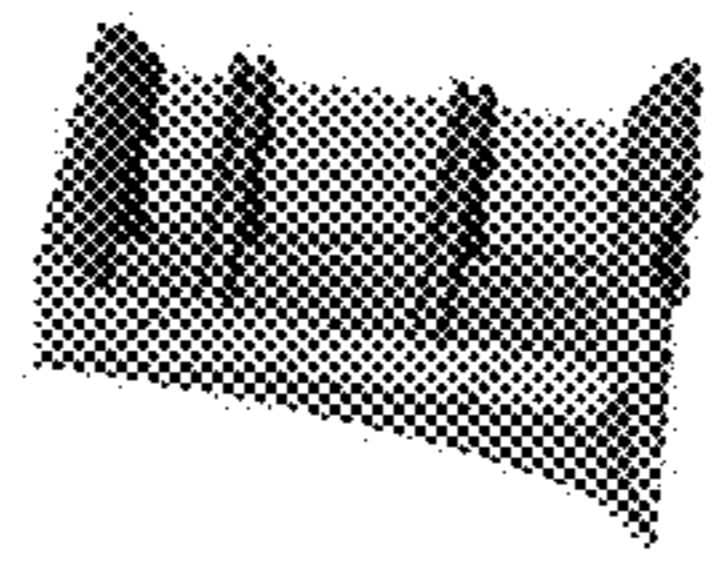


Fig. 3

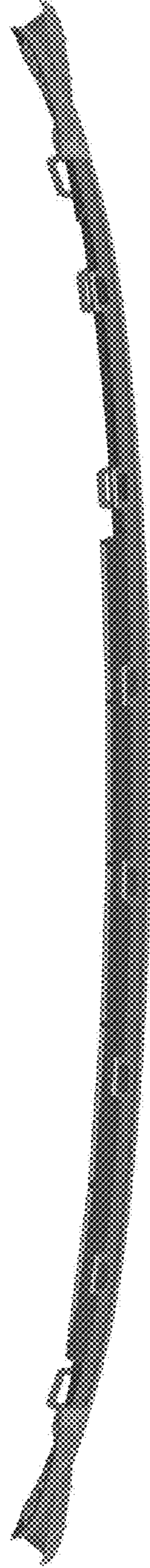
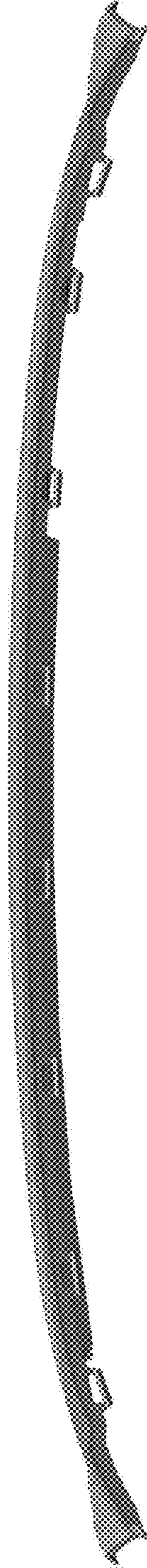


Fig. 4

Fig. 5



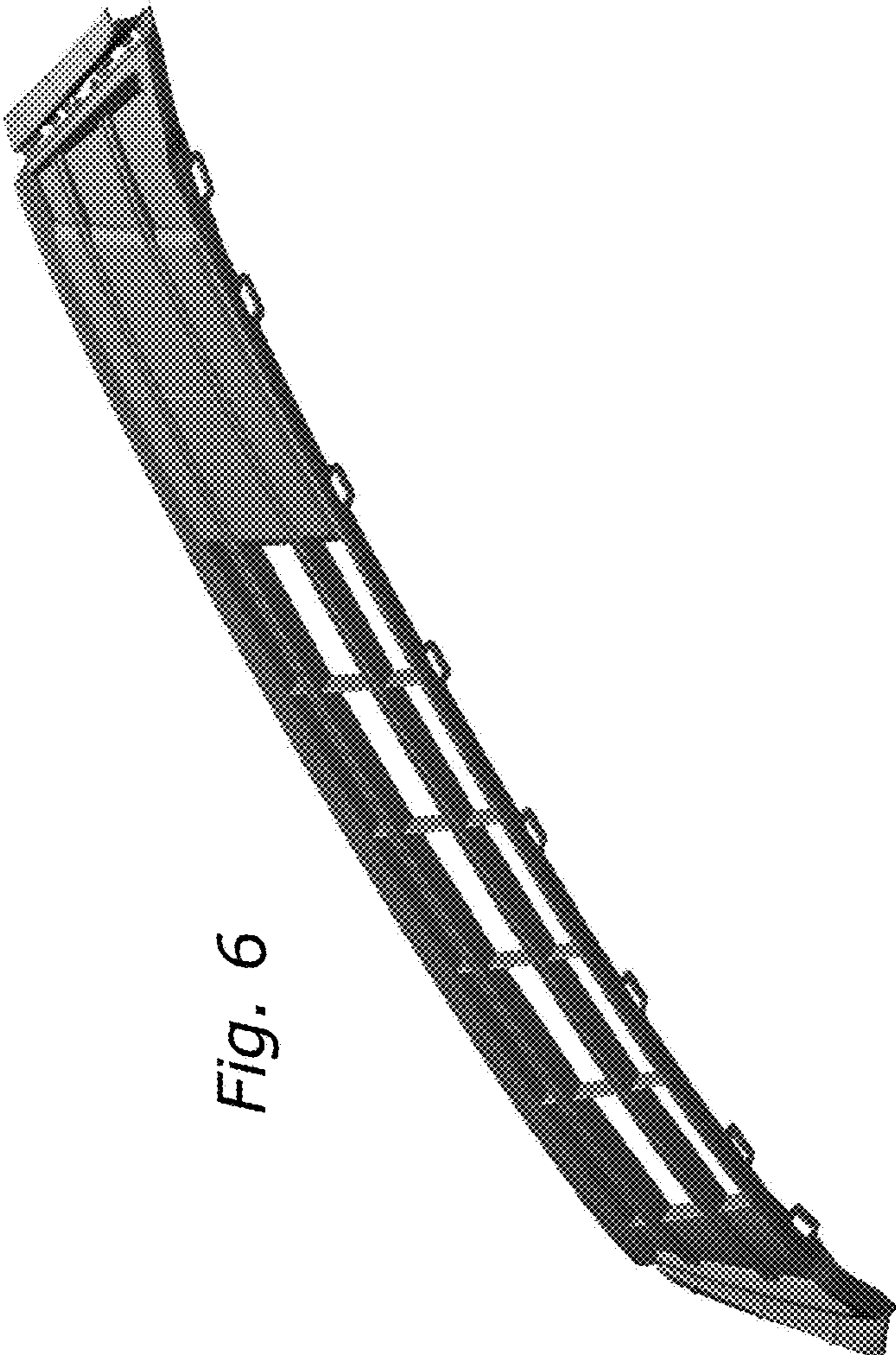


Fig. 6

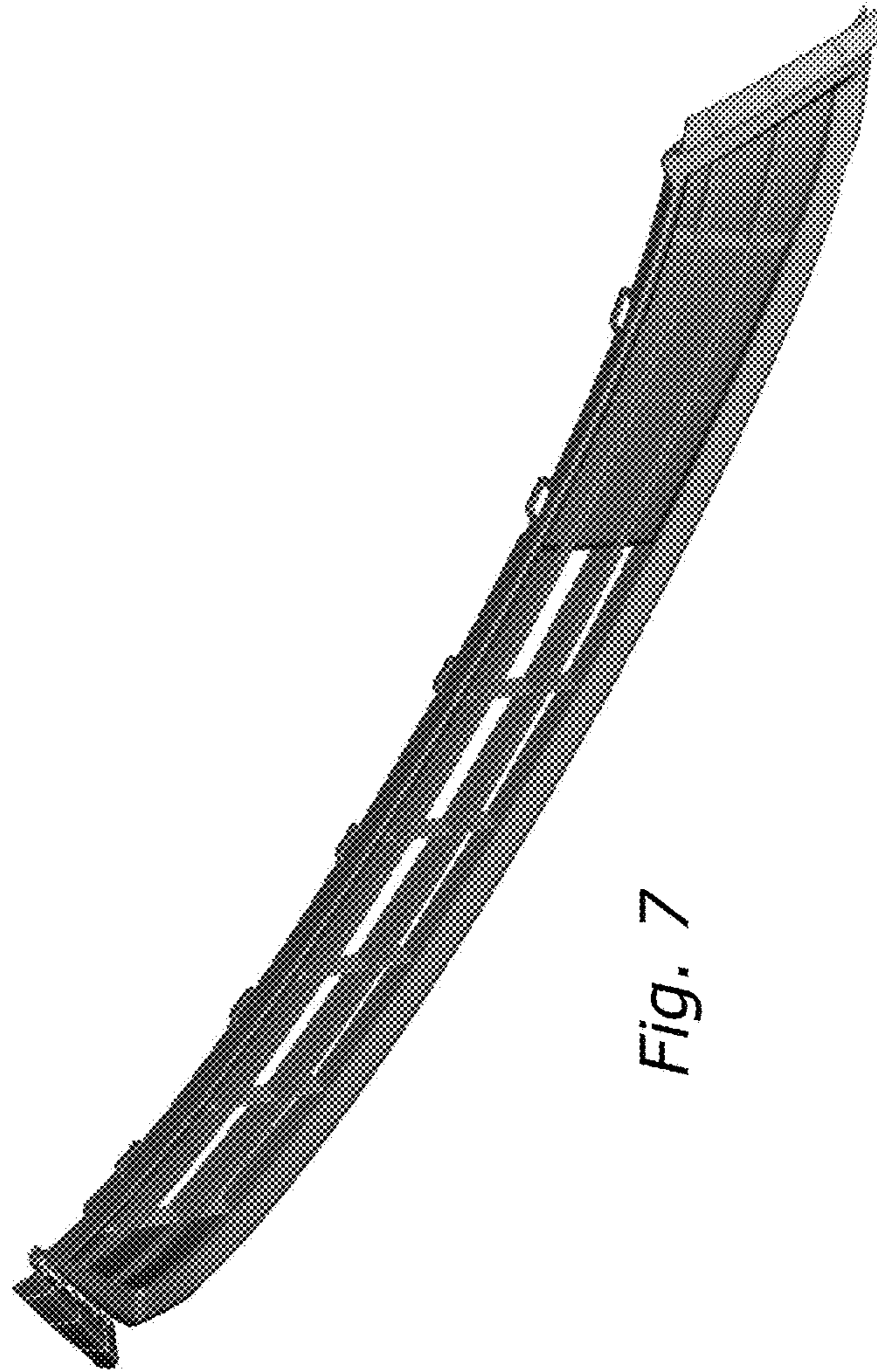


Fig. 7