



US00D854462S

(12) **United States Design Patent** (10) **Patent No.:** **US D854,462 S**
Lee (45) **Date of Patent:** **** Jul. 23, 2019**

(54) **VEHICLE REAR FASCIA LOWER**
(71) Applicant: **GM GLOBAL TECHNOLOGY OPERATIONS LLC**, Detroit, MI (US)
(72) Inventor: **Hwasup Lee**, Rochester Hills, MI (US)
(73) Assignee: **GM GLOBAL TECHNOLOGIES OPERATIONS LLC**, Detroit, MI (US)

(**) Term: **15 Years**

(21) Appl. No.: **29/607,545**

(22) Filed: **Jun. 14, 2017**

(51) **LOC (11) Cl.** **12-16**

(52) **U.S. Cl.**
USPC **D12/163**

(58) **Field of Classification Search**
USPC D12/86, 90, 91, 92, 163, 169, 171, 196, D12/216
CPC B60R 19/02; B60R 19/04; B62D 25/00; B62D 25/06; B62D 25/08; B62D 35/00
See application file for complete search history.

(56) **References Cited**

U.S. PATENT DOCUMENTS

6,328,358 B1 *	12/2001	Berweiler	B60R 19/52 180/68.6
D570,742 S	6/2008	Takagi et al.		
D592,105 S	5/2009	Dean et al.		
D597,447 S	8/2009	Folden		
D600,595 S	9/2009	Nakamura et al.		
D601,925 S	10/2009	O'Donnell		
D603,755 S	11/2009	Peters		
D604,203 S	11/2009	O'Donnell		
D605,082 S	12/2009	Munson		
D605,083 S	12/2009	Manoogian, II et al.		
D605,977 S	12/2009	Zipfel et al.		
D605,978 S	12/2009	Wolff et al.		
D608,249 S	1/2010	Peters		

D608,690 S	1/2010	Folden et al.
D608,691 S	1/2010	Zak, Jr. et al.
D609,608 S	2/2010	Boniface et al.
D611,387 S	3/2010	Thompson et al.
D611,879 S	3/2010	Kim et al.
D612,297 S	3/2010	Peters et al.
D613,645 S	4/2010	Song et al.
D615,458 S	5/2010	Thompson et al.
D618,595 S	6/2010	Ware et al.
D623,090 S	9/2010	Cox et al.
D627,262 S	11/2010	Ikeda et al.
D635,488 S	4/2011	Phipps
D644,147 S	8/2011	Suh et al.
D644,567 S	9/2011	Kozub
D657,718 S	4/2012	Zipfel et al.
D659,052 S	5/2012	Ware et al.
D659,053 S	5/2012	Ware et al.
D668,182 S	10/2012	Barba Franco et al.

(Continued)

Primary Examiner — Susan Bennett Hattan
Assistant Examiner — Suzanne E Tisdell

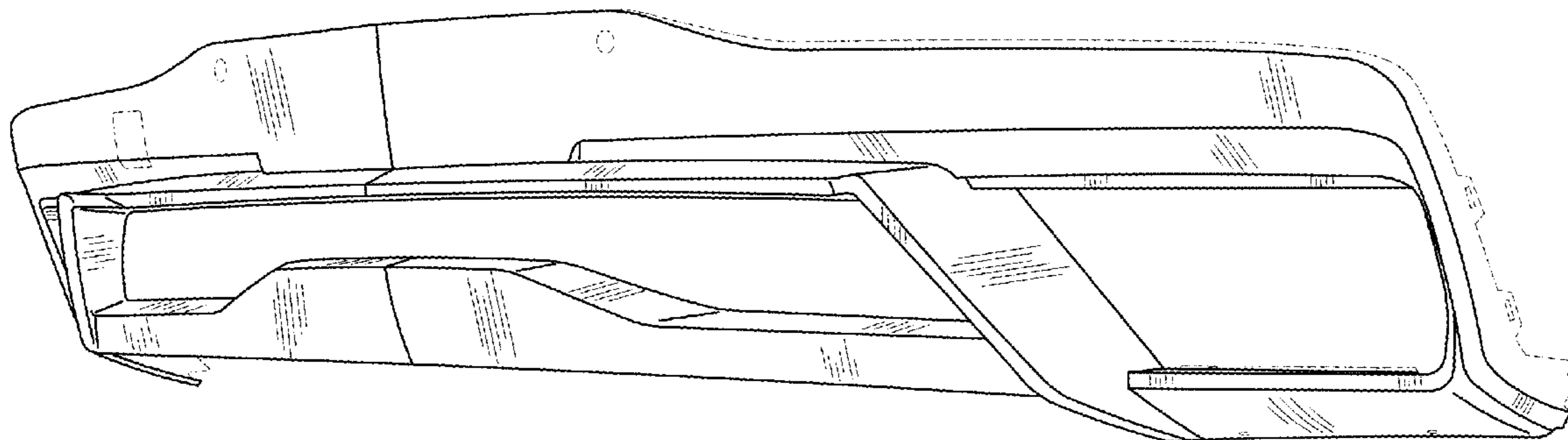
(57) **CLAIM**

The ornamental design for a vehicle rear fascia lower, as shown and described.

DESCRIPTION

FIG. 1 is a front and left perspective view of the vehicle rear fascia lower according to the present disclosure; FIG. 2 is a left end elevation view thereof; FIG. 3 is a front elevation view thereof; and, FIG. 4 is a bottom plan view thereof. The right end elevation view is omitted, because the right end elevation view is a mirror image to the left end elevation view. The broken lines shown in the drawings depict portions of the vehicle rear fascia lower that form no part of the claimed design. The shade lines in the figures show contour and not surface ornamentation.

1 Claim, 2 Drawing Sheets



(56)

References Cited

U.S. PATENT DOCUMENTS

D668,183 S	10/2012	Smart	D753,033 S	4/2016	Thole et al.
D678,820 S	3/2013	Son et al.	D753,034 S	4/2016	Thole et al.
D678,821 S	3/2013	Ikeda et al.	D753,035 S	4/2016	Boniface et al.
D680,909 S	4/2013	Munson et al.	D753,559 S	4/2016	McMahan et al.
D680,910 S	4/2013	David	D753,560 S	4/2016	McMahan et al.
D684,899 S	6/2013	Baker	D753,567 S	4/2016	Boniface et al.
D686,536 S	7/2013	McCabe et al.	D754,571 S	4/2016	Boniface et al.
D692,798 S	11/2013	Thurber	D754,572 S	4/2016	McMahan et al.
D692,799 S	11/2013	Smith et al.	D755,088 S	5/2016	McMahan et al.
D696,157 S	12/2013	Loeb	D756,869 S	5/2016	McMahan et al.
D699,629 S	2/2014	Ikeda et al.	D758,271 S	6/2016	McMahan et al.
D700,871 S	3/2014	O'Donnell et al.	D762,533 S	* 8/2016	Tsutamori D12/169
D703,103 S	4/2014	Lee	D763,139 S	* 8/2016	Giolito D12/91
D704,103 S	5/2014	Mack et al.	D763,746 S	* 8/2016	Tsutamori D12/169
D705,132 S	5/2014	Ware et al.	D764,975 S	* 8/2016	Aengenheyster D12/91
D705,699 S	5/2014	Ware et al.	D764,976 S	8/2016	Aengenheyster
D713,298 S	9/2014	Dyson	D767,449 S	9/2016	Pevovar et al.
D713,764 S	9/2014	Ferlazzo et al.	D767,450 S	9/2016	Lee et al.
D716,696 S	11/2014	Thole et al.	D767,451 S	9/2016	Kozub et al.
D716,706 S	11/2014	Thole et al.	D767,454 S	9/2016	McMahan et al.
D716,709 S	11/2014	Thole et al.	D767,458 S	9/2016	Kim
D717,696 S	11/2014	Thole et al.	D767,459 S	9/2016	Kim
D718,189 S	11/2014	Krieg et al.	D767,460 S	9/2016	Kozub et al.
D718,683 S	12/2014	Thole et al.	D767,461 S	9/2016	Kozub et al.
D722,282 S	2/2015	Loeb	9,469,187 B1	* 10/2016	Ho B60K 11/08
D722,533 S	2/2015	Thole et al.	D770,337 S	* 11/2016	Wolff D12/169
D722,534 S	2/2015	Munson et al.	D771,528 S	11/2016	Smith et al.
D724,510 S	3/2015	McMahan et al.	D771,529 S	11/2016	Thole et al.
D725,001 S	3/2015	McMahan et al.	D771,532 S	11/2016	Kapitonov
D726,591 S	4/2015	Jacob	D771,533 S	11/2016	Kapitonov
D730,776 S	6/2015	Smart	D772,117 S	* 11/2016	Davidson D12/169
D730,783 S	6/2015	Henriques et al.	D772,766 S	11/2016	Kozub et al.
D732,427 S	6/2015	Loeb	D772,767 S	11/2016	Kim
D732,429 S	6/2015	Loeb	D773,084 S	11/2016	Kapitonov
D732,430 S	6/2015	Loeb	D773,086 S	11/2016	McCabe et al.
D732,431 S	6/2015	Loeb	D774,226 S	12/2016	McCabe et al.
D732,432 S	6/2015	Aengenheyster	D775,003 S	12/2016	Pevovar et al.
D732,433 S	6/2015	Aengenheyster	D775,007 S	12/2016	Thole et al.
D732,435 S	6/2015	Mackay	D775,010 S	12/2016	Kim et al.
D733,002 S	6/2015	Loeb	D775,049 S	12/2016	Scheer et al.
D735,611 S	8/2015	Aengenheyster	D775,549 S	1/2017	Karras
D735,627 S	8/2015	Smith	D775,554 S	1/2017	Kapitonov
D736,451 S	8/2015	Smith	D776,020 S	1/2017	Kapitonov
D739,306 S	9/2015	McMahan et al.	D776,581 S	1/2017	Pevovar et al.
D739,317 S	9/2015	McMahan et al.	D776,583 S	1/2017	Scheer et al.
D741,223 S	10/2015	Kim et al.	D776,841 S	1/2017	Kozub et al.
D743,309 S	11/2015	Thole et al.	D776,843 S	1/2017	McCabe et al.
D743,313 S	11/2015	Smith et al.	D776,846 S	1/2017	Willett et al.
D743,314 S	11/2015	Thole et al.	D777,359 S	1/2017	Kozub et al.
D743,857 S	11/2015	McMahan et al.	D777,360 S	1/2017	Kozub et al.
D744,158 S	11/2015	Willett et al.	D777,361 S	1/2017	Kozub et al.
D745,086 S	12/2015	Finos et al.	D777,604 S	1/2017	McNerney
D745,719 S	12/2015	Boniface et al.	D777,605 S	1/2017	Ferlazzo et al.
D745,725 S	12/2015	McMahan et al.	D777,620 S	1/2017	Pevovar et al.
D745,726 S	12/2015	McMahan et al.	D777,621 S	1/2017	Kim
D745,837 S	12/2015	Smith et al.	D777,622 S	1/2017	Kozub et al.
D746,726 S	1/2016	Smith et al.	D777,628 S	1/2017	Kozub et al.
D746,727 S	1/2016	Smith et al.	D777,955 S	1/2017	Willett et al.
D746,728 S	1/2016	Smith et al.	D778,212 S	2/2017	Kozub et al.
D746,729 S	1/2016	Boniface et al.	D778,215 S	2/2017	Kozub et al.
D746,730 S	1/2016	Kim et al.	D780,064 S	2/2017	Smith et al.
D747,514 S	1/2016	McMahan et al.	D780,067 S	2/2017	Zipfel et al.
D747,515 S	1/2016	McMahan et al.	D780,068 S	2/2017	Whitla et al.
D747,819 S	1/2016	Thole et al.	D780,077 S	2/2017	Kim et al.
D749,021 S	2/2016	Boniface et al.	D780,081 S	2/2017	Lee
D749,026 S	2/2016	Smith et al.	D780,084 S	2/2017	Scheer et al.
D749,027 S	2/2016	McMahan et al.	D780,631 S	3/2017	Kozub et al.
D749,246 S	2/2016	Thole et al.	D780,644 S	3/2017	Kim et al.
D749,249 S	2/2016	Thole et al.	D781,180 S	* 3/2017	Minami D12/91
D749,250 S	2/2016	Thole et al.	D781,184 S	3/2017	Thole et al.
D749,473 S	* 2/2016	Lee D12/169	D781,192 S	3/2017	Kozub et al.
D749,985 S	2/2016	Kozub et al.	D782,379 S	3/2017	Wassell
D749,997 S	2/2016	McMahan et al.	D783,482 S	4/2017	Smith et al.
D750,001 S	2/2016	Thole et al.	D784,213 S	4/2017	Karras
D753,032 S	4/2016	Smith et al.	D784,223 S	4/2017	Lee
			D784,226 S	4/2017	Cheng
			D784,579 S	4/2017	Cheng et al.
			D784,877 S	4/2017	Lee
			D784,886 S	4/2017	Smith et al.

(56)

References Cited

U.S. PATENT DOCUMENTS

D785,521 S	5/2017	Smith et al.		D818,877 S	5/2018	Nakamura et al.	
D786,149 S *	5/2017	Pevovar	D12/169	D818,878 S	5/2018	McMahan et al.	
D786,743 S	5/2017	Smith et al.		D818,892 S	5/2018	Lee	
D786,748 S *	5/2017	Hellwig	D12/169	D818,893 S	5/2018	Kim	
D786,750 S	5/2017	Lee		D818,903 S	5/2018	Zipfel et al.	
D790,406 S *	6/2017	Futschik	D12/92	D818,906 S	5/2018	McMahan	
D792,815 S *	7/2017	Kozub	D12/169	D818,907 S	5/2018	Whitla et al.	
D793,296 S *	8/2017	Smith	D12/169	D818,915 S	5/2018	Kozub et al.	
D797,618 S *	9/2017	Suzuki	D12/169	D818,922 S	5/2018	Whitla et al.	
D800,617 S *	10/2017	Jang	D12/169	D819,505 S	6/2018	McMahan et al.	
D801,882 S *	11/2017	Kozub	D12/169	D819,519 S	6/2018	Whitla et al.	
D803,112 S *	11/2017	Tomita	D12/169	D821,617 S	6/2018	Perkins	
D807,248 S *	1/2018	Piscitelli	D12/169	D822,550 S	7/2018	Wassell et al.	
D807,252 S *	1/2018	Piscitelli	D12/169	D822,551 S	7/2018	McMahan et al.	
D807,257 S *	1/2018	Piscitelli	D12/169	D823,188 S	7/2018	Loeb	
D813,731 S	3/2018	McMahan		D823,738 S	7/2018	Kim	
D813,732 S	3/2018	Whitla et al.		D823,741 S	7/2018	Kim	
D813,733 S	3/2018	Lee		D823,762 S	7/2018	Loeb	
D813,734 S	3/2018	Nakamura		D823,763 S	7/2018	Koo et al.	
D813,740 S	3/2018	Park		D824,811 S	8/2018	Mainville	
D813,741 S	3/2018	Perkins		D824,812 S	8/2018	Loeb	
D813,742 S	3/2018	McMahan et al.		D824,824 S	8/2018	Kim	
D813,743 S	3/2018	Lee		D824,825 S	8/2018	Loeb	
D813,744 S	3/2018	Whitla et al.		D825,083 S	8/2018	Perkins	
D813,748 S	3/2018	Kim		D825,388 S	8/2018	Karras et al.	
D813,753 S	3/2018	Loeb		D825,403 S	8/2018	Whitla et al.	
D813,754 S	3/2018	Loeb		D826,114 S	8/2018	Smith et al.	
D813,755 S	3/2018	Loeb		D826,435 S	8/2018	Kim	
D813,756 S	3/2018	Loeb		D826,803 S	8/2018	Smith et al.	
D813,757 S	3/2018	Kozub		D827,506 S	9/2018	McMahan et al.	
D813,758 S	3/2018	Gonzales		D827,508 S	9/2018	Whitla et al.	
D813,759 S	3/2018	Perkins		D827,510 S	9/2018	Kim	
D814,369 S	4/2018	Loeb		D827,527 S	9/2018	Loeb	
D814,982 S	4/2018	Whitla et al.		D828,246 S	9/2018	Loeb	
D814,983 S	4/2018	Whitla et al.		D828,261 S	9/2018	Moffett et al.	
D815,570 S	4/2018	McMahan et al.		D828,935 S	9/2018	Hochmuth	
D815,572 S	4/2018	Perkins		D829,622 S	10/2018	Jacob	
D815,573 S	4/2018	Whitla et al.		D830,241 S	10/2018	Kozub	
D815,574 S	4/2018	Mainville		D830,242 S	10/2018	Zipfel	
D815,985 S	4/2018	Mueller		D830,252 S	10/2018	Swanseger	
D815,993 S	4/2018	Kozub et al.		D830,258 S	10/2018	McMahan et al.	
D815,994 S	4/2018	Nakamura		D830,261 S	10/2018	Jacob	
D816,003 S	4/2018	Perkins		D830,589 S	10/2018	Henriques	
D816,558 S	5/2018	McMahan et al.		D832,752 S	11/2018	Lee	
D816,559 S	5/2018	McMahan et al.		D835,003 S	12/2018	Thompson et al.	
D816,561 S	5/2018	McMahan		D835,012 S	12/2018	Smith et al.	
D816,562 S	5/2018	Whitla et al.		2004/0190985 A1 *	9/2004	Aigner	B60R 19/52 403/329
D816,563 S	5/2018	McMahan et al.		2005/0006913 A1 *	1/2005	Otte	B60R 19/52 293/115
D816,564 S	5/2018	Kim		2006/0157992 A1 *	7/2006	Sakamoto	B60R 19/52 293/115
D816,565 S	5/2018	Kim		2008/0079271 A1 *	4/2008	Maruko	B60R 19/52 293/102
D816,566 S	5/2018	Loeb		2010/0148525 A1 *	6/2010	Abdelnour	B60R 19/52 293/115
D817,836 S	5/2018	McMahan et al.		2011/0181062 A1 *	7/2011	Bernt	B60K 11/085 293/102
D818,156 S	5/2018	Kim et al.		2014/0291056 A1 *	10/2014	Takanaga	B60K 11/085 180/274
D818,157 S	5/2018	Zipfel et al.		2016/0325790 A1 *	11/2016	Murray	B62D 25/02
D818,158 S	5/2018	Zipfel et al.					
D818,159 S	5/2018	Zipfel et al.					
D818,160 S	5/2018	Perkins					
D818,406 S	5/2018	McMahan et al.					
D818,876 S	5/2018	Whitla et al.					

* cited by examiner

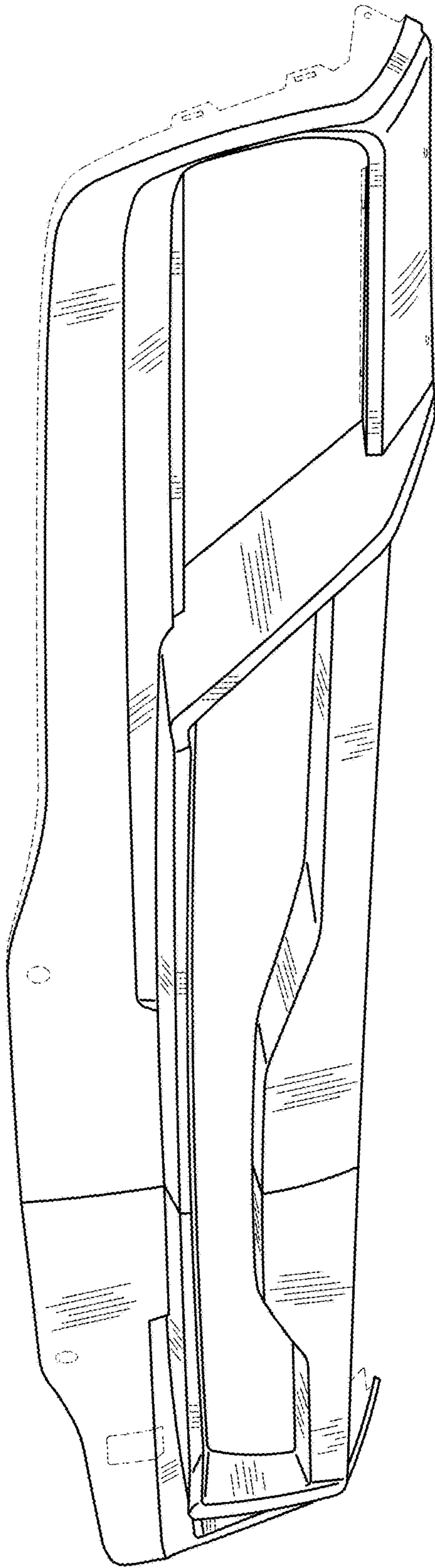


FIG-1

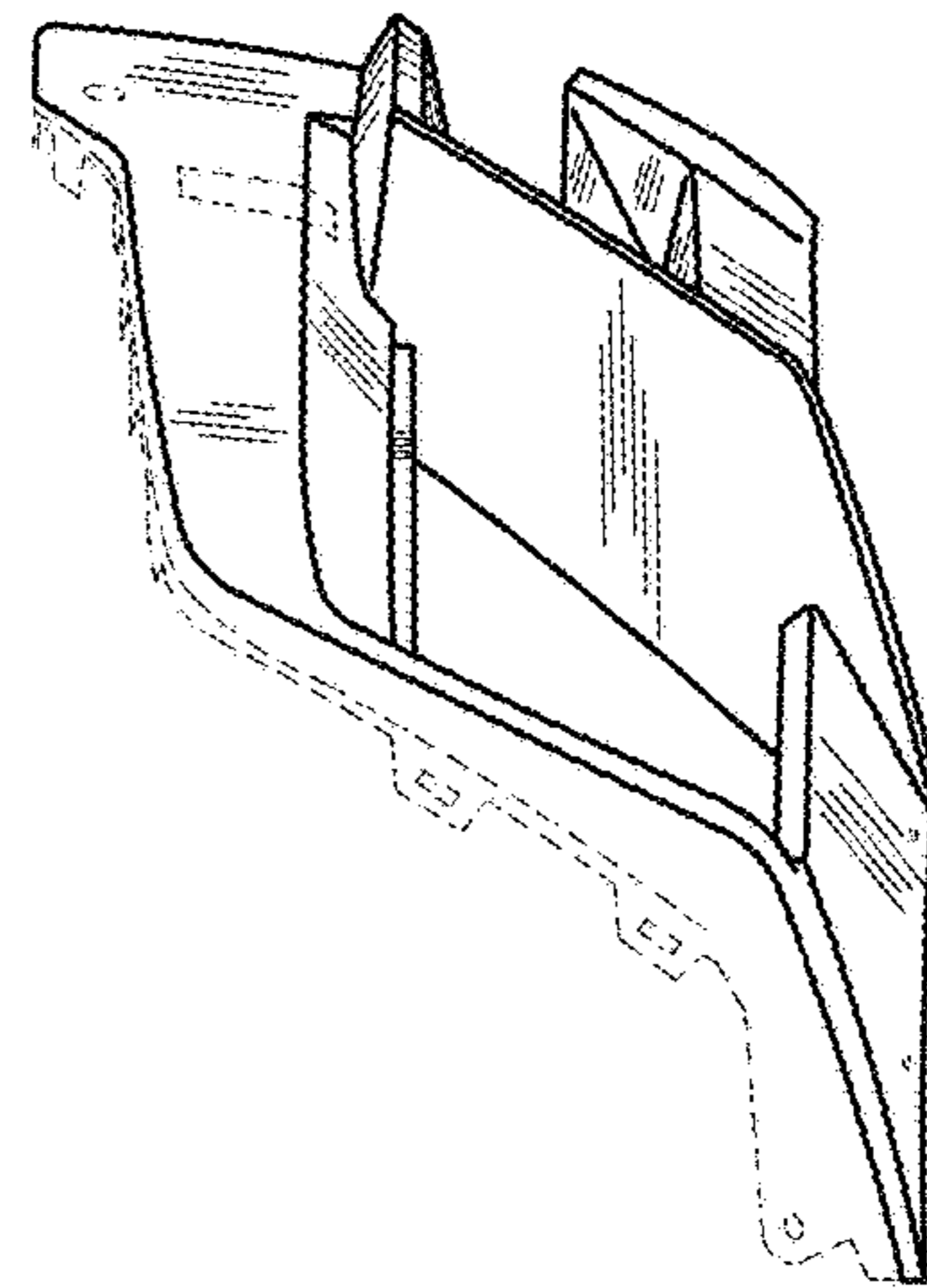


FIG-2

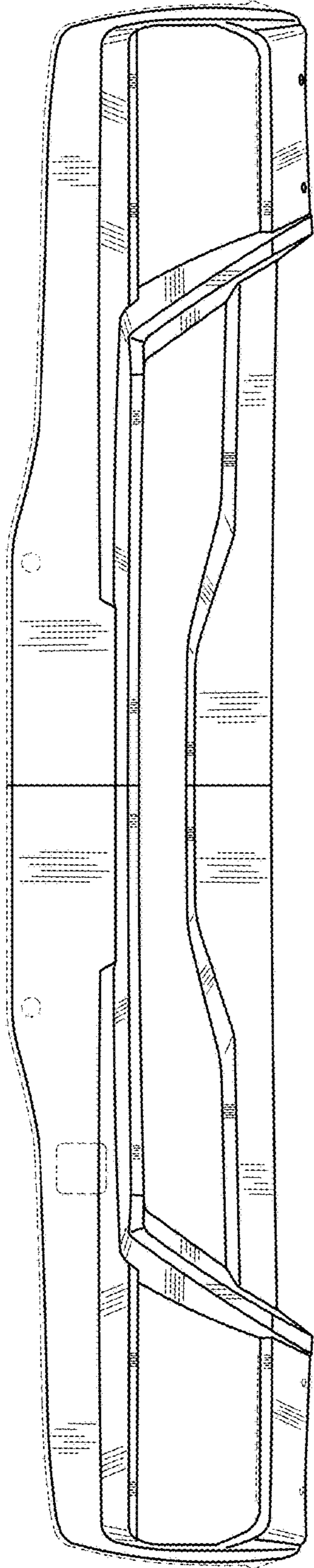


FIG - 3

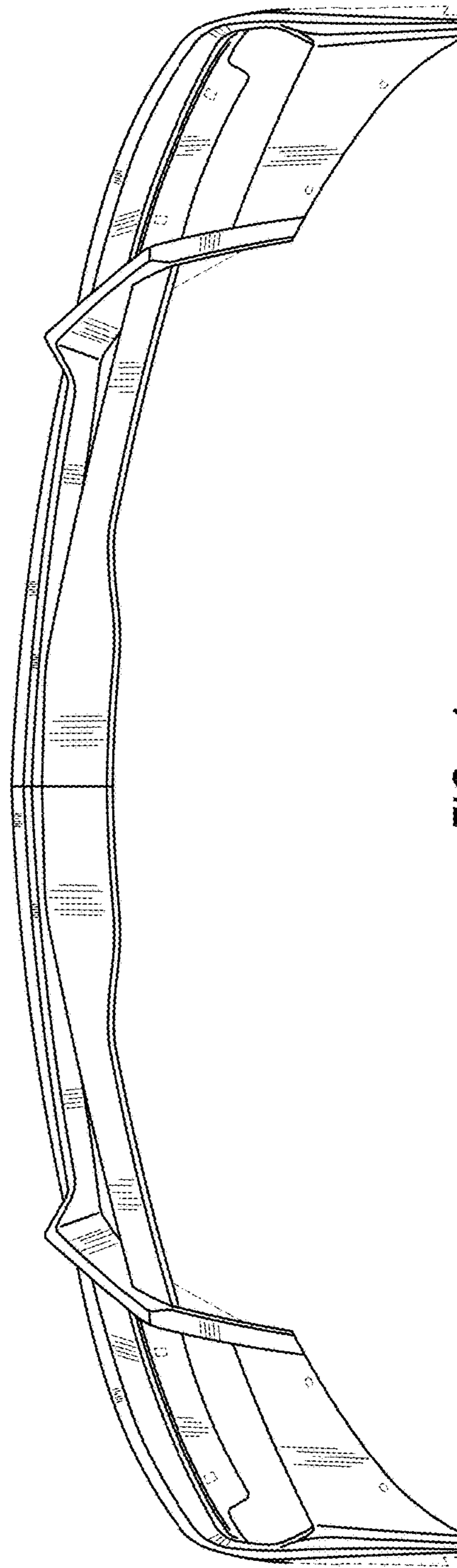


FIG - 4