



US00D854461S

(12) **United States Design Patent** (10) **Patent No.:** **US D854,461 S**
Haessly (45) **Date of Patent:** **** Jul. 23, 2019**

(54) **HAND ROTATOR FOR A SWIVEL LIFT**

D679,228 S * 4/2013 Balko D12/175
D693,618 S * 11/2013 Lenterman D6/716.6
D777,022 S * 1/2017 Barnett D8/394
D818,808 S * 5/2018 Barnett D8/394

(71) Applicant: **Michael A. Haessly**, The Villages, FL
(US)

* cited by examiner

(72) Inventor: **Michael A. Haessly**, The Villages, FL
(US)

Primary Examiner — Charles D Hanson

(**) Term: **15 Years**

(74) *Attorney, Agent, or Firm* — Donald J. Ersler

(21) Appl. No.: **29/607,000**

(57) **CLAIM**

(22) Filed: **Jun. 9, 2017**

The ornamental design for a hand rotator for a swivel lift, as shown and described.

(51) **LOC (11) Cl.** **12-12**

(52) **U.S. Cl.**
USPC **D12/133**

DESCRIPTION

(58) **Field of Classification Search**
USPC D12/128–133, 175–176
CPC A61G 5/04; A61G 5/041–047; A61G
2005/048
See application file for complete search history.

FIG. 1 is a reduced size top perspective view of a hand rotator for a swivel lift incorporating my new design;
FIG. 2 is a rotated top perspective view thereof;
FIG. 3 is top or bottom plan view thereof;
FIG. 4 is a front elevation view thereof;
FIG. 5 is a rear elevation view thereof;
FIG. 6 is a left side view thereof; and,
FIG. 7 is a right side view thereof.

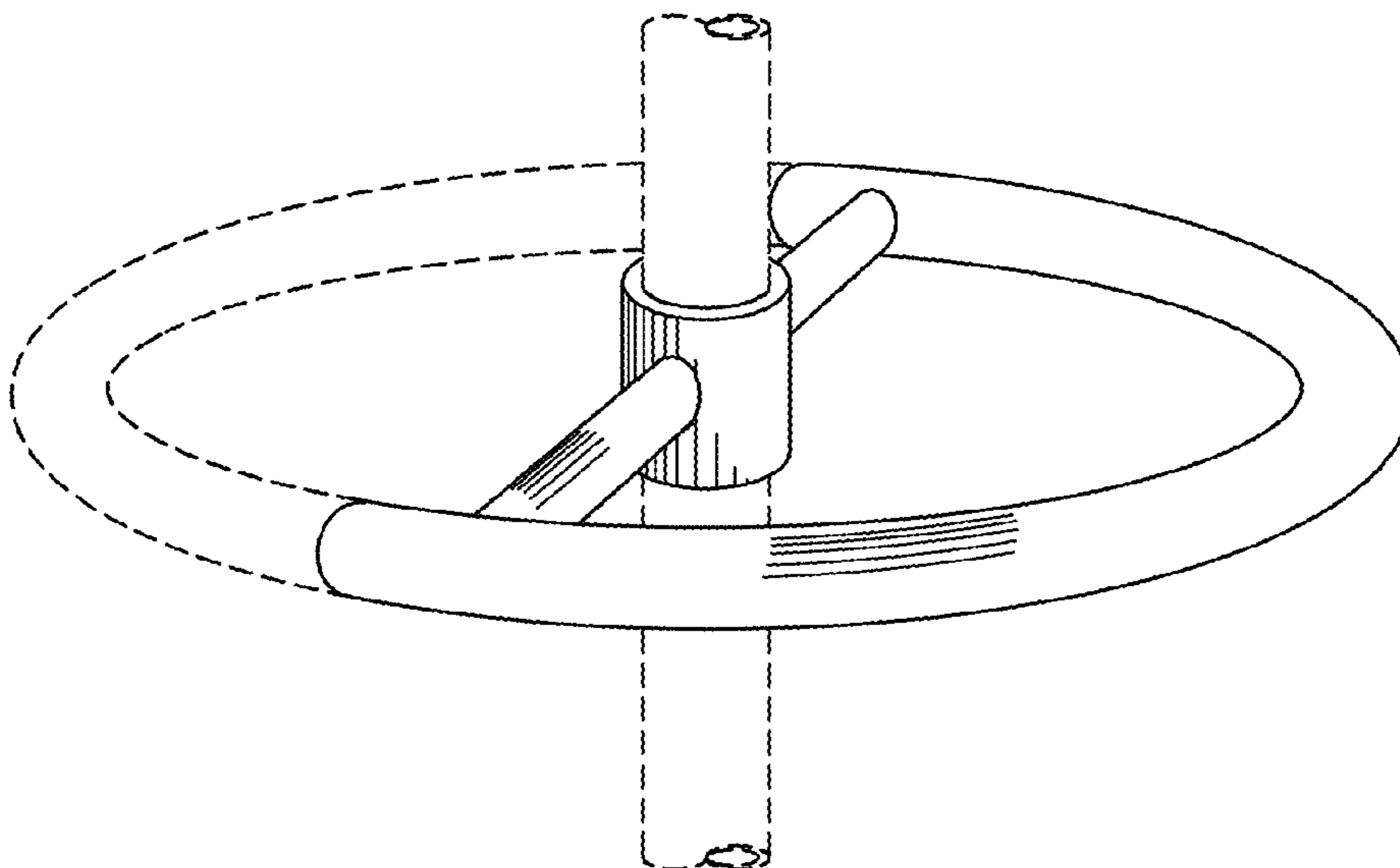
(56) **References Cited**

The broken lines shown in the drawings illustrate portions of the hand rotator for a swivel lift that form no part of the claimed invention.

U.S. PATENT DOCUMENTS

D245,839 S * 9/1977 Spurgin D12/176
D395,464 S * 6/1998 Shiihashi D21/385
D408,770 S * 4/1999 Colquitt D12/176
D641,797 S * 7/2011 Chen D14/400
D654,000 S * 2/2012 Chiquin D12/177

1 Claim, 4 Drawing Sheets



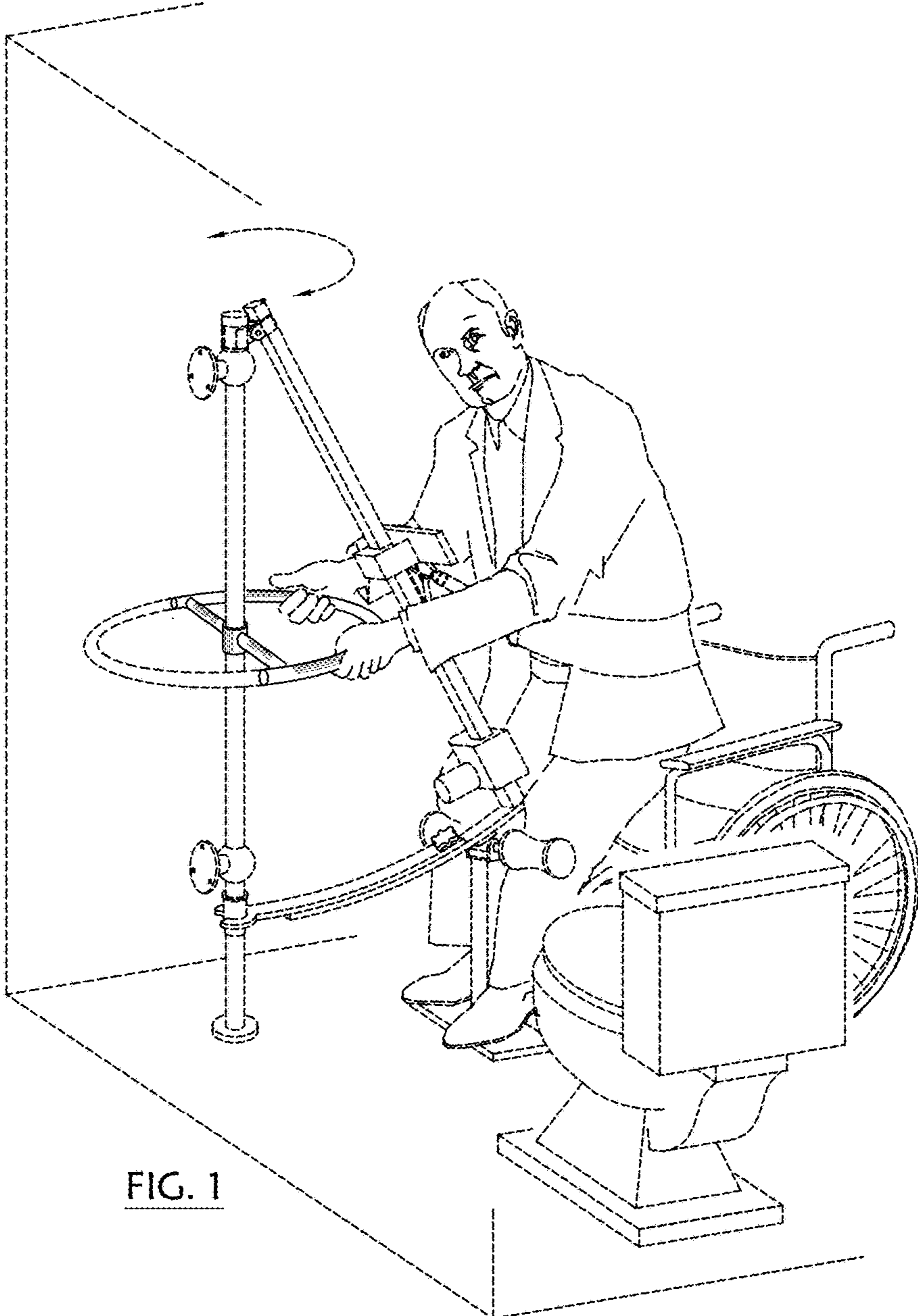


FIG. 1

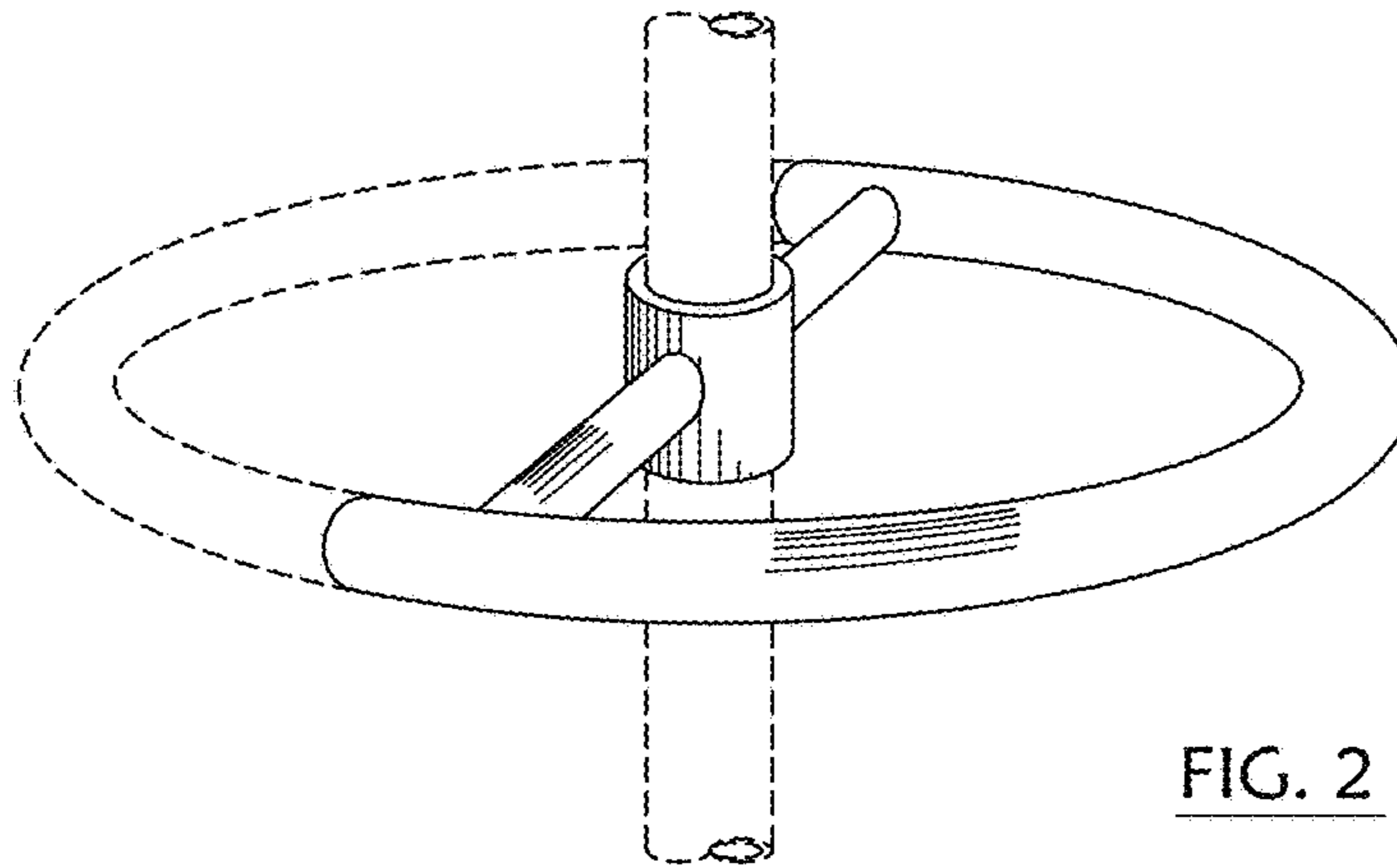


FIG. 2

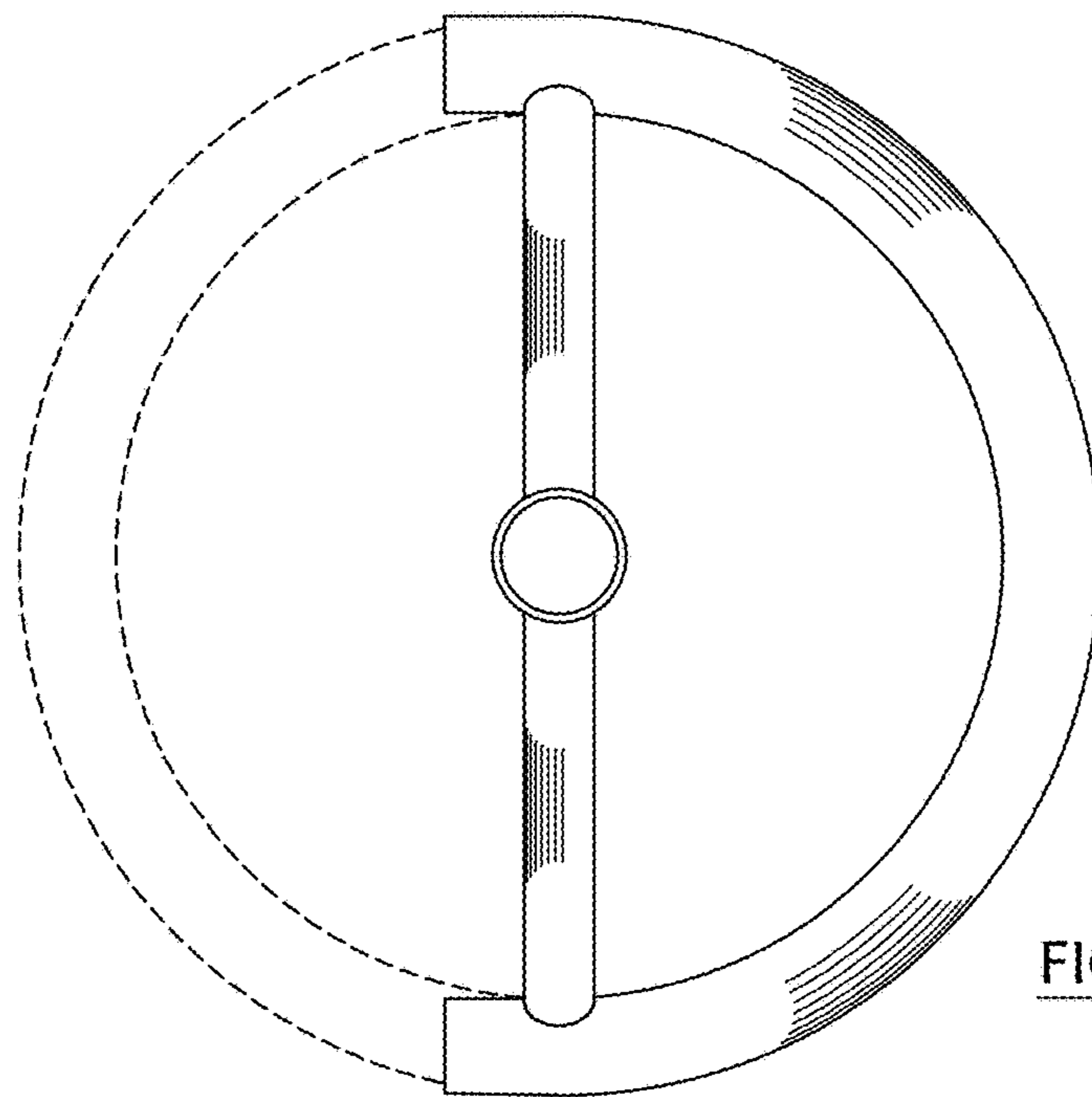


FIG. 3

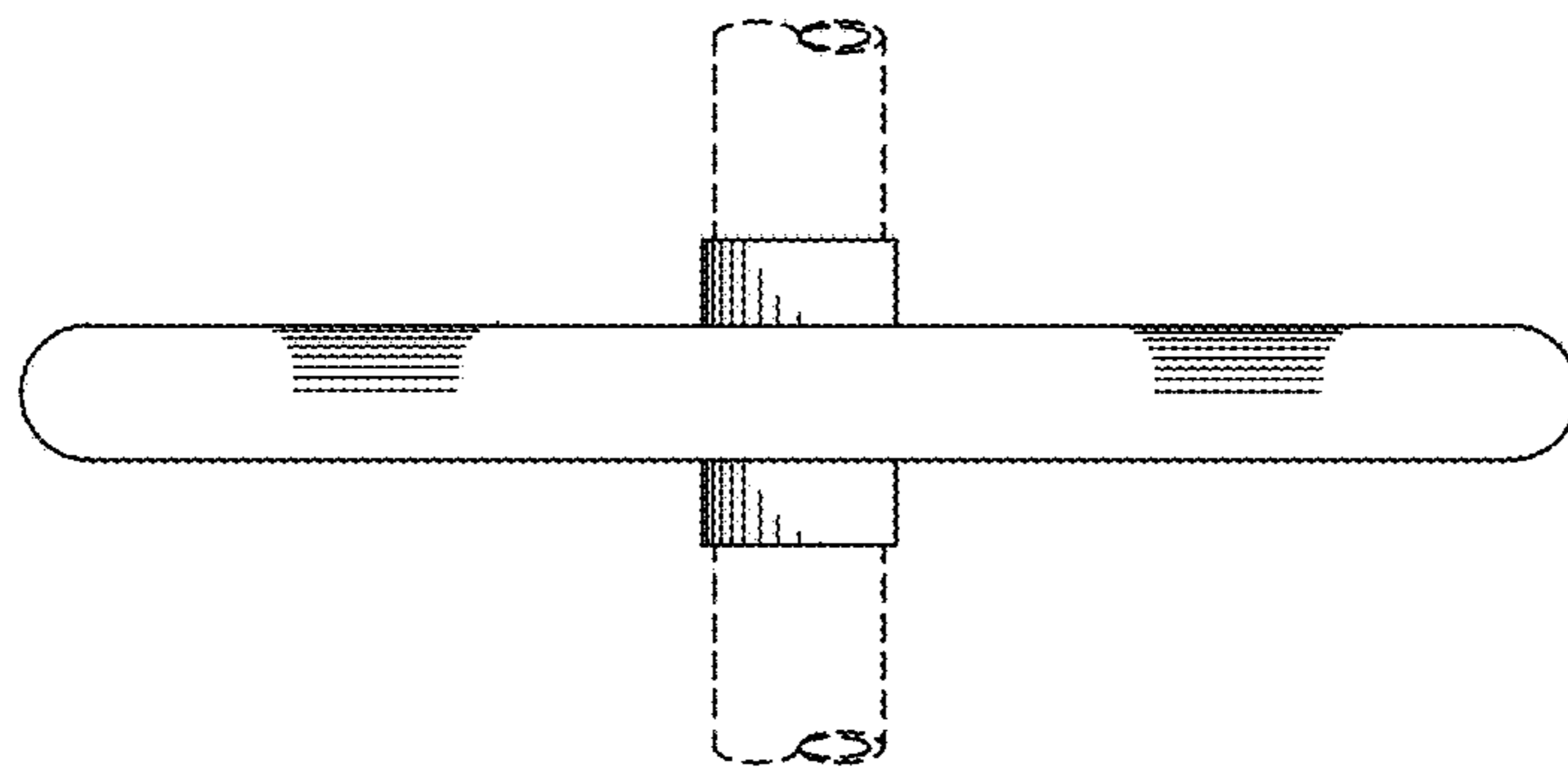


FIG. 4

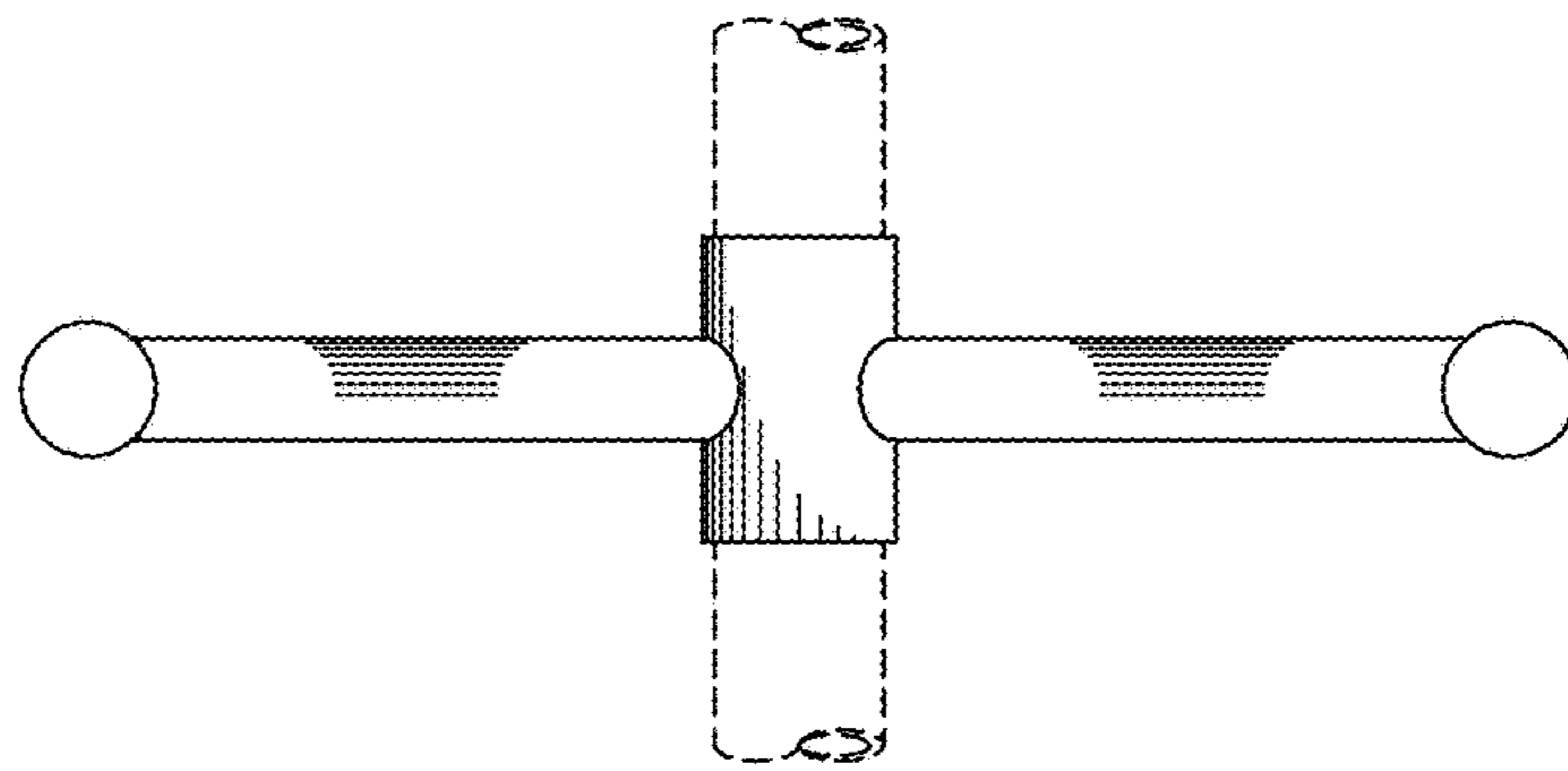


FIG. 5

