



US00D854460S

(12) **United States Design Patent**
Hu

(10) **Patent No.:** **US D854,460 S**
(45) **Date of Patent:** **** Jul. 23, 2019**

- (54) **STROLLER**
- (71) Applicant: **Hubei Yangtian Plastic Products Limited**, Hanchuan, Hubei (CN)
- (72) Inventor: **Chengpeng Hu**, Wuhan (CN)
- (73) Assignee: **HUBEI YANGTIAN PLASTIC PRODUCTS LIMITED**, Hanchuan, Hubei (CN)
- (**) Term: **15 Years**
- (21) Appl. No.: **29/613,991**
- (22) Filed: **Aug. 15, 2017**
- (51) **LOC (11) Cl.** **12-12**
- (52) **U.S. Cl.**
USPC **D12/129**
- (58) **Field of Classification Search**
USPC D12/128–133
See application file for complete search history.

D578,044 S *	10/2008	Chen	D12/129
D596,996 S *	7/2009	Yang	D12/129
D621,306 S *	8/2010	Liao	D12/129
D643,343 S *	8/2011	Song	D12/129
D661,624 S *	6/2012	Stopp	D12/129
D672,692 S *	12/2012	Jane Santamaria	D12/129
D677,605 S *	3/2013	Ide	D12/129
2003/0111825 A1 *	6/2003	Lo	B62B 7/145 280/642
2005/0098982 A1 *	5/2005	Huang	B62B 7/08 280/642

* cited by examiner

Primary Examiner — Charles D Hanson

(74) *Attorney, Agent, or Firm* — Muncy, Geissler, Olds & Lowe, P.C.

(57) **CLAIM**

The ornamental design for a stroller, as shown and described.

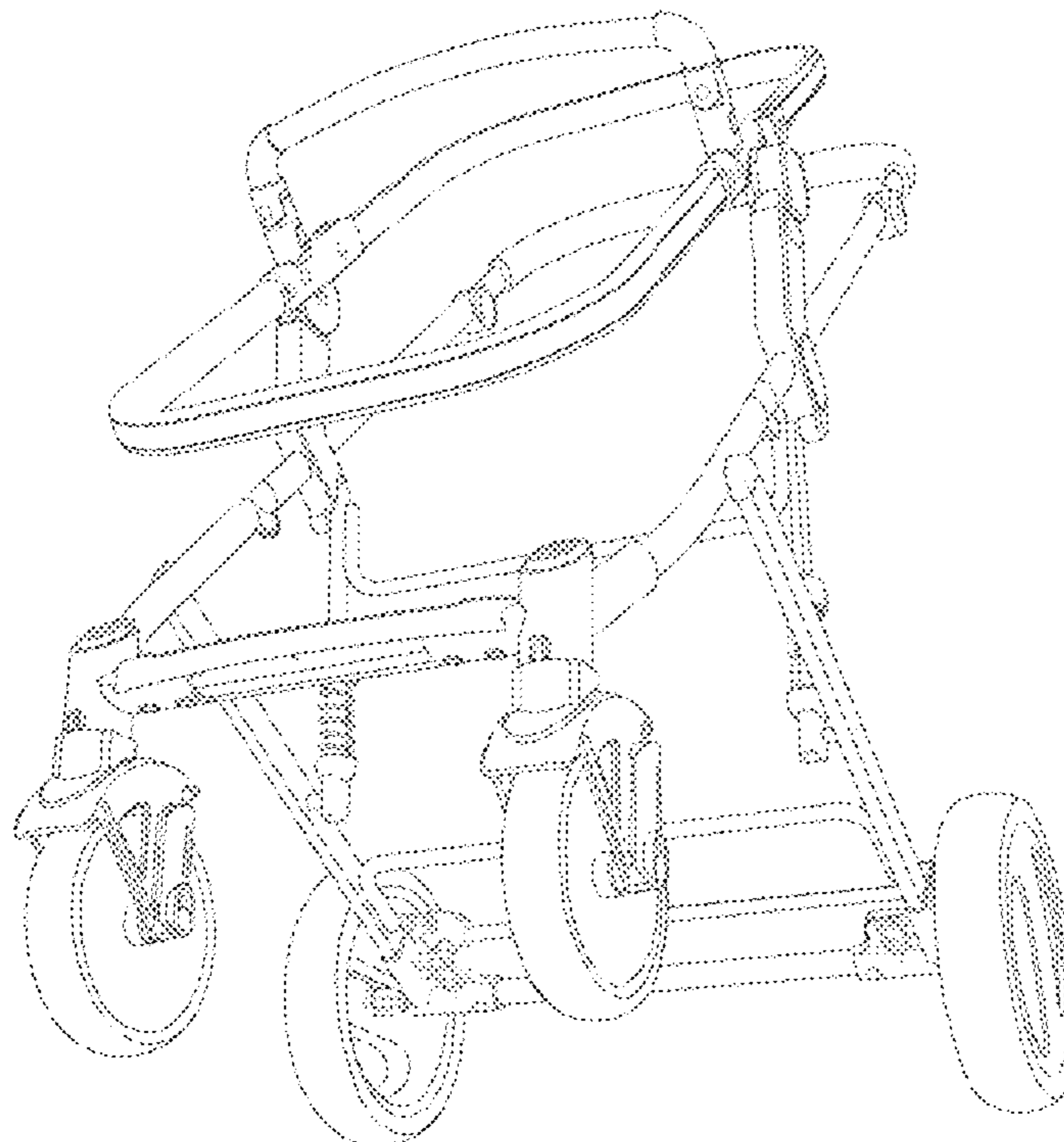
DESCRIPTION

FIG. 1 is a Front elevational view of a stroller showing my new design;
 FIG. 2 is a Rear elevational view thereof;
 FIG. 3 is a Left side view thereof;
 FIG. 4 is a Right side view thereof;
 FIG. 5 is a Top plan view thereof;
 FIG. 6 is a Bottom plan view thereof; and,
 FIG. 7 is a Perspective views thereof.

1 Claim, 7 Drawing Sheets

(56) **References Cited**
 U.S. PATENT DOCUMENTS

D375,707 S *	11/1996	Yang	D12/129
D519,422 S *	4/2006	Huang	D12/129
7,267,359 B1 *	9/2007	Yang	B62B 7/08 280/47.34
7,364,171 B2 *	4/2008	Hu	B60B 1/006 280/47.38



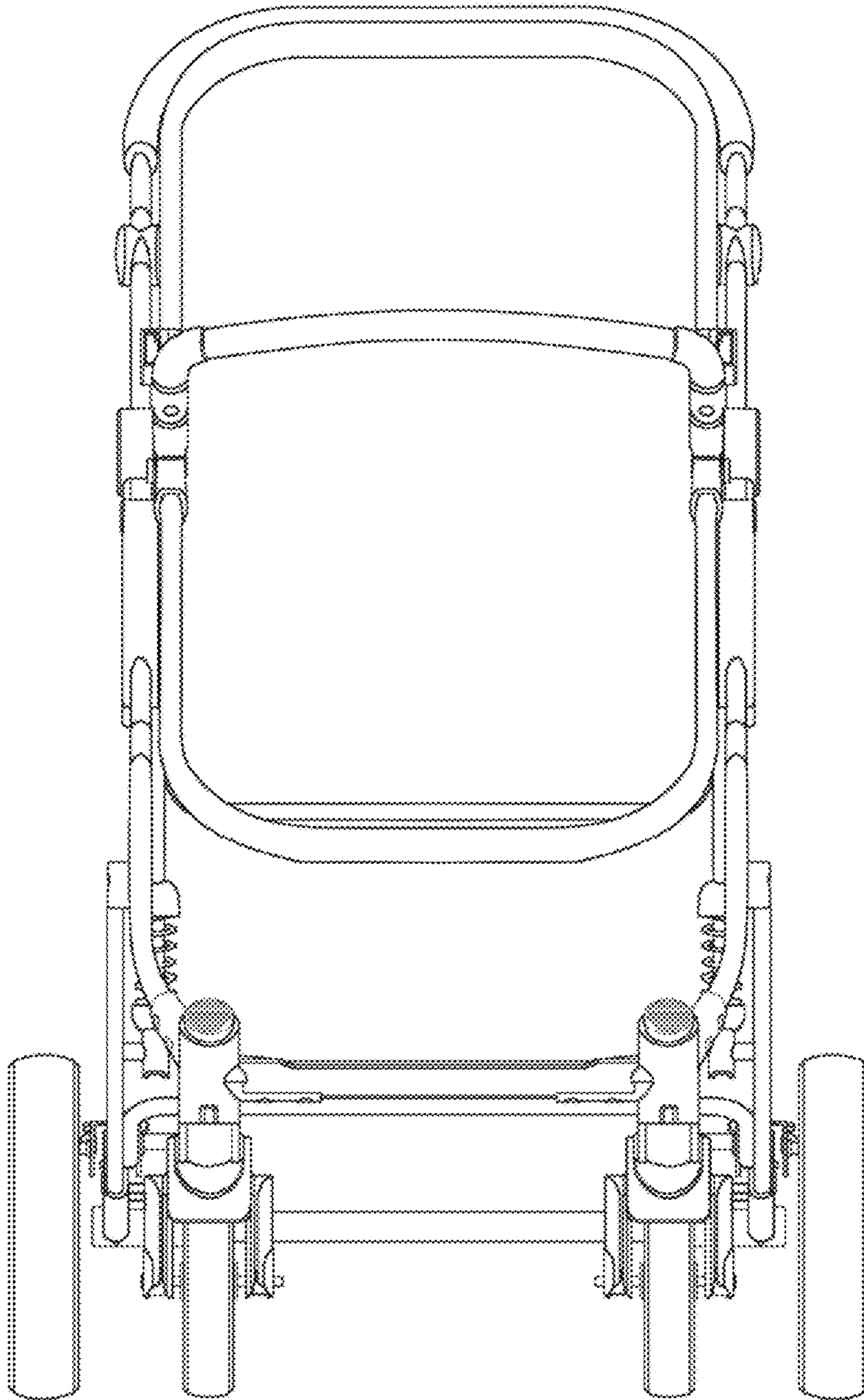


Fig. 1

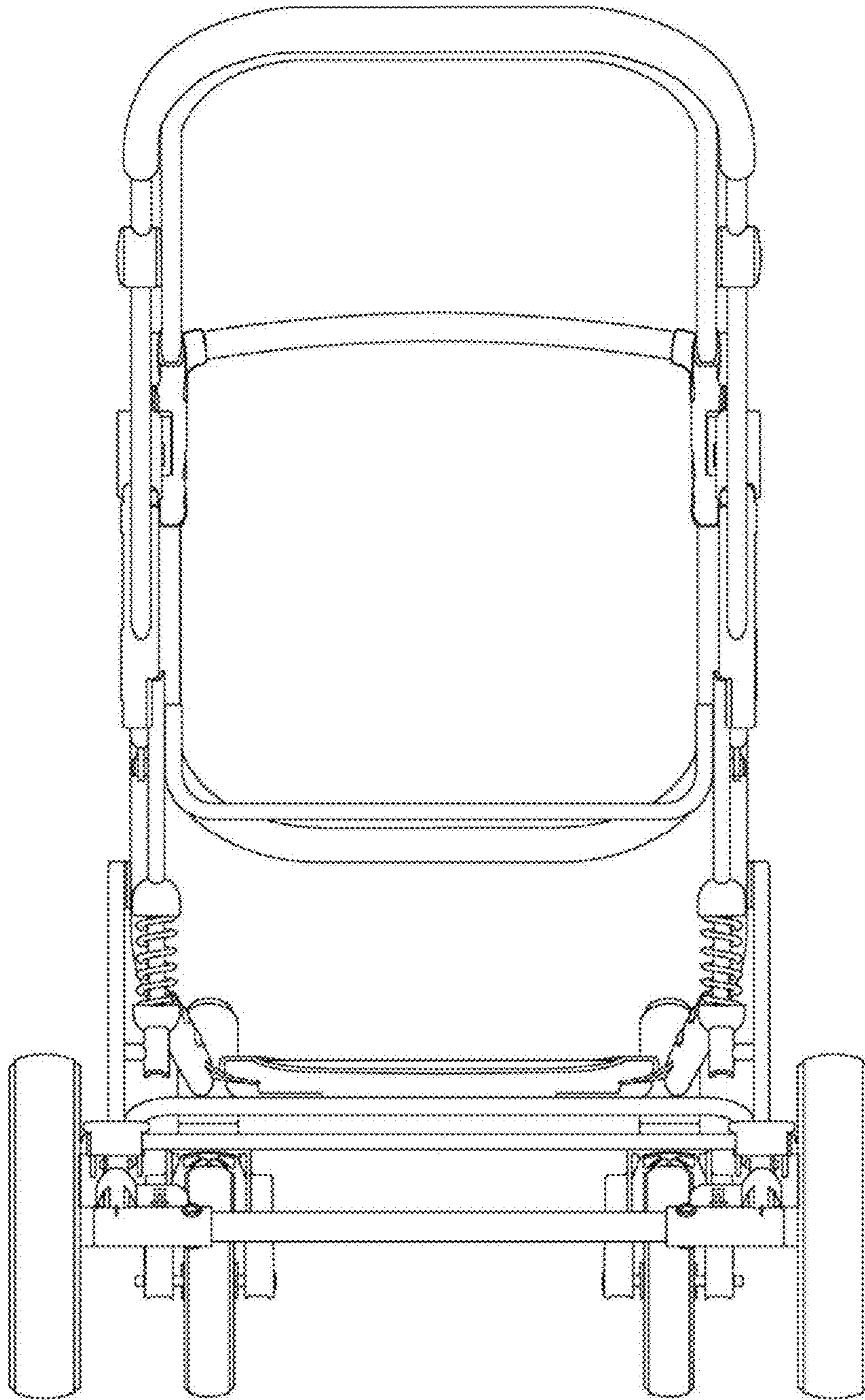


Fig.2

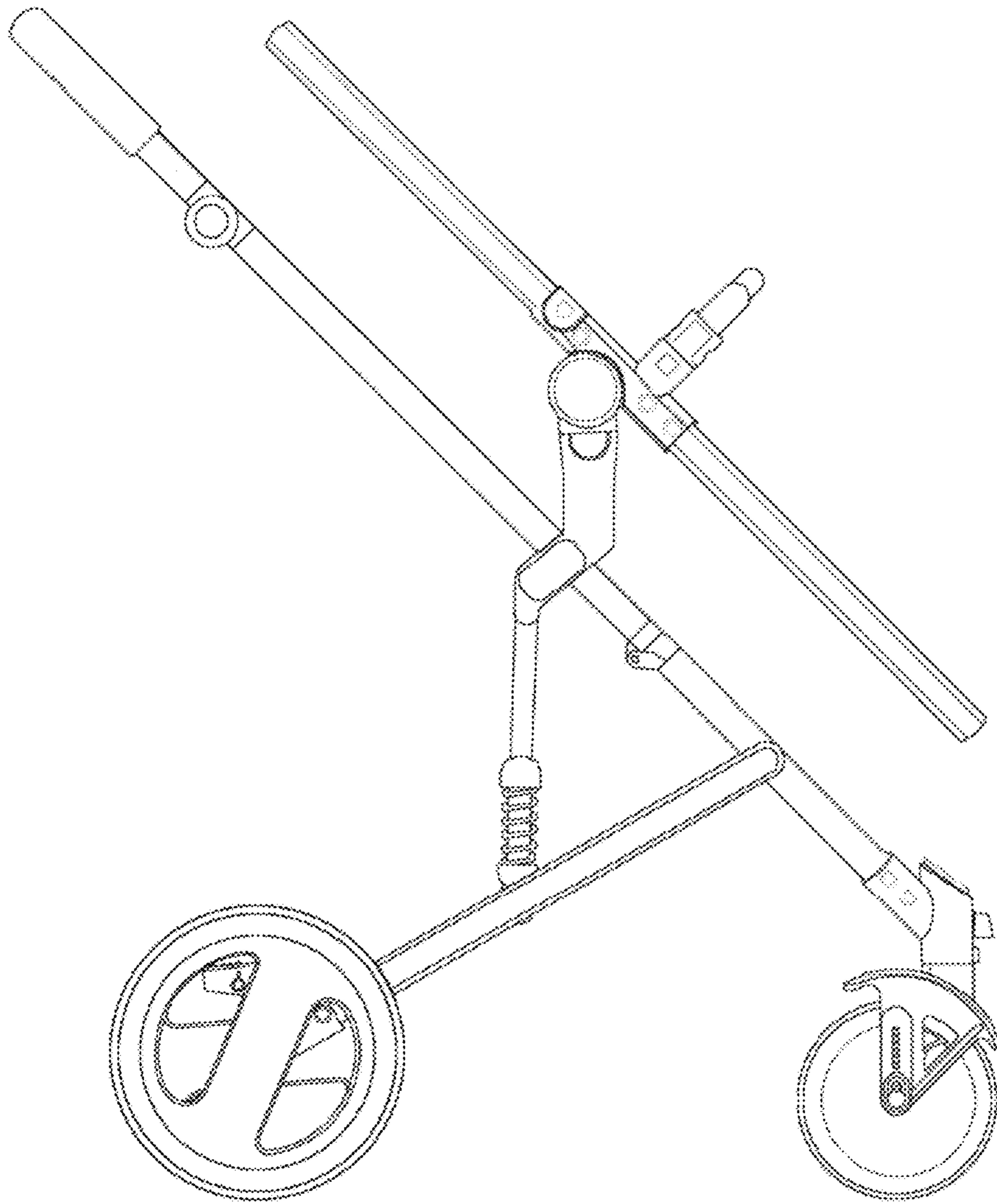


Fig.3

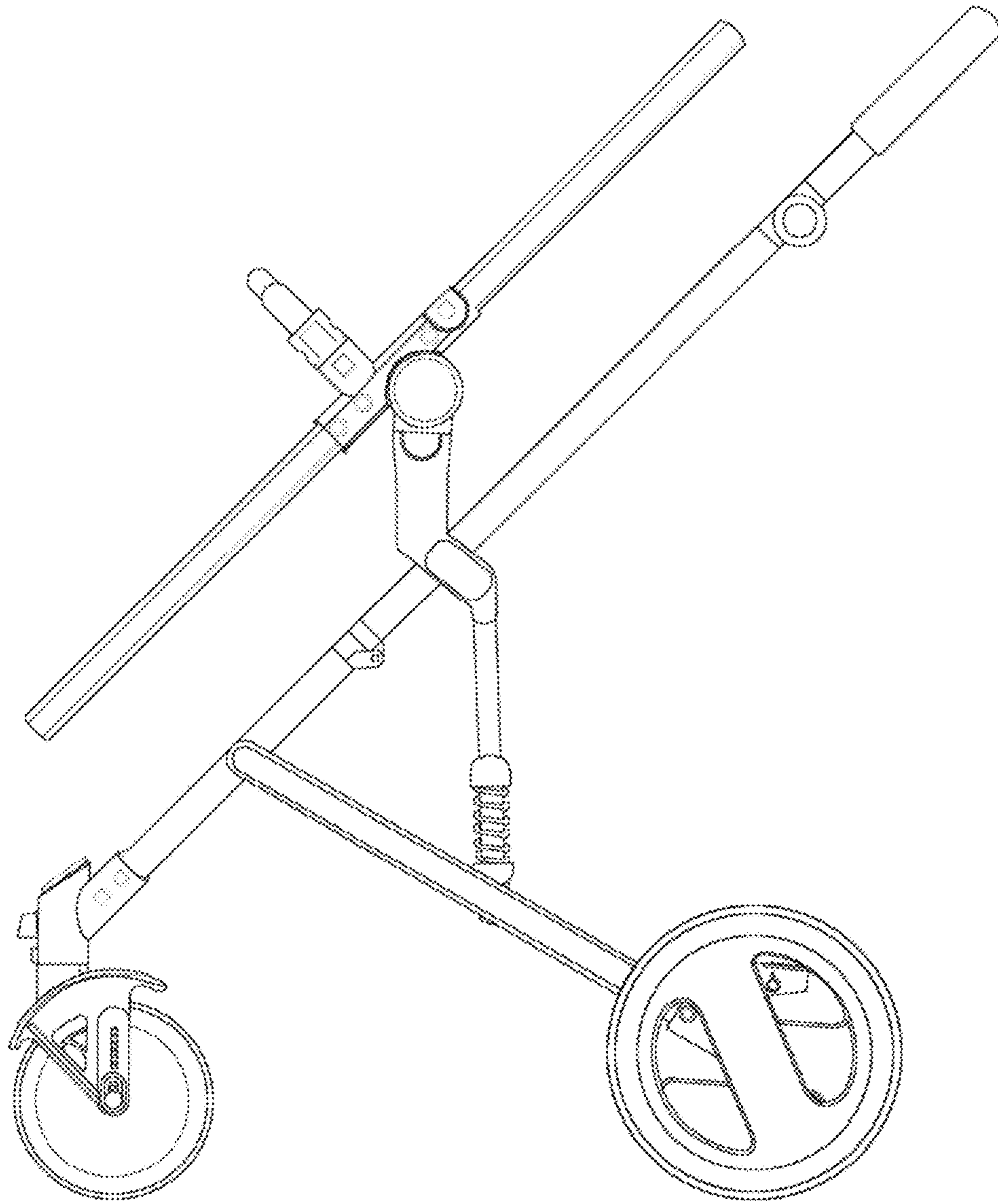


Fig.4

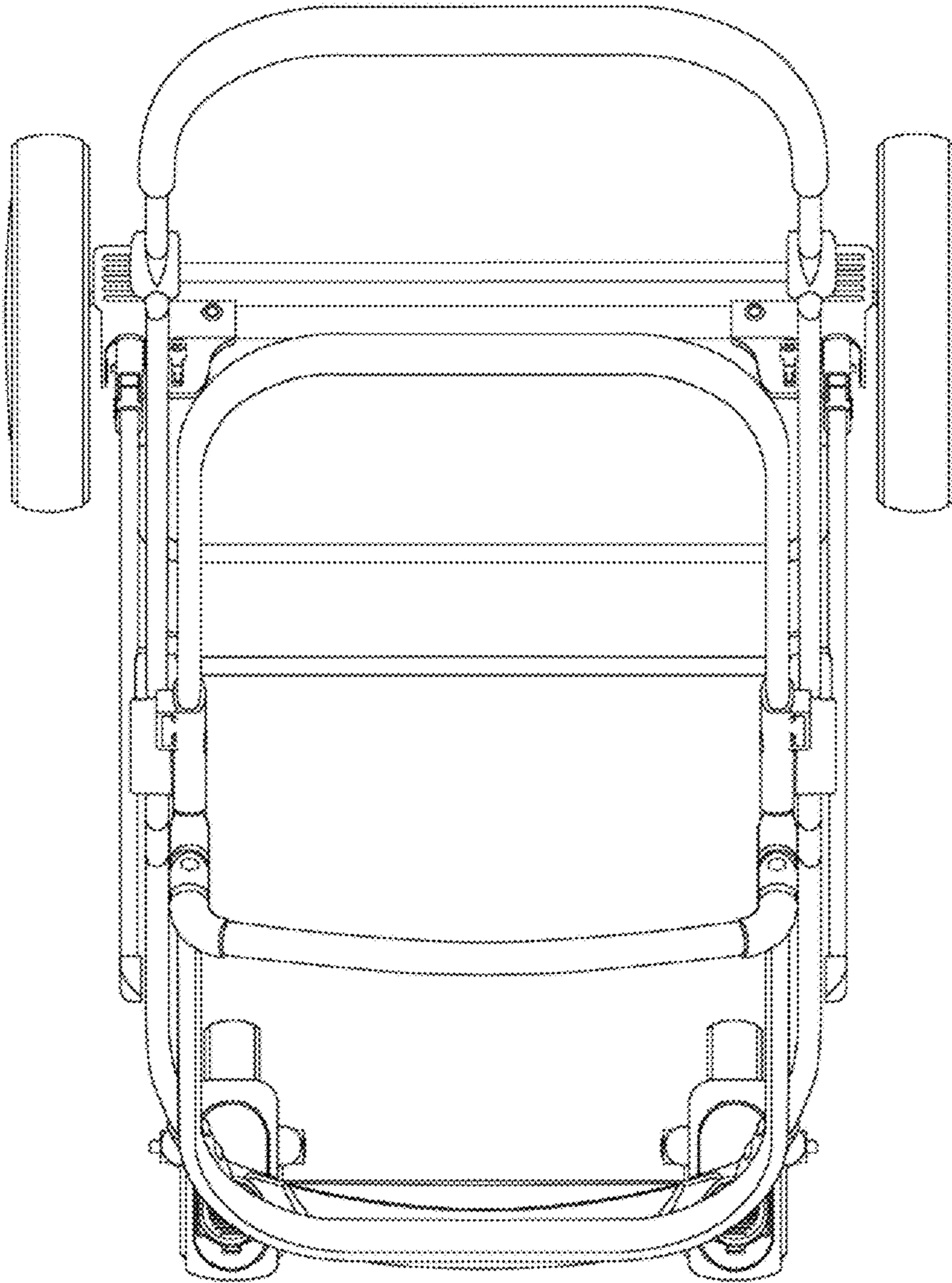


Fig.5

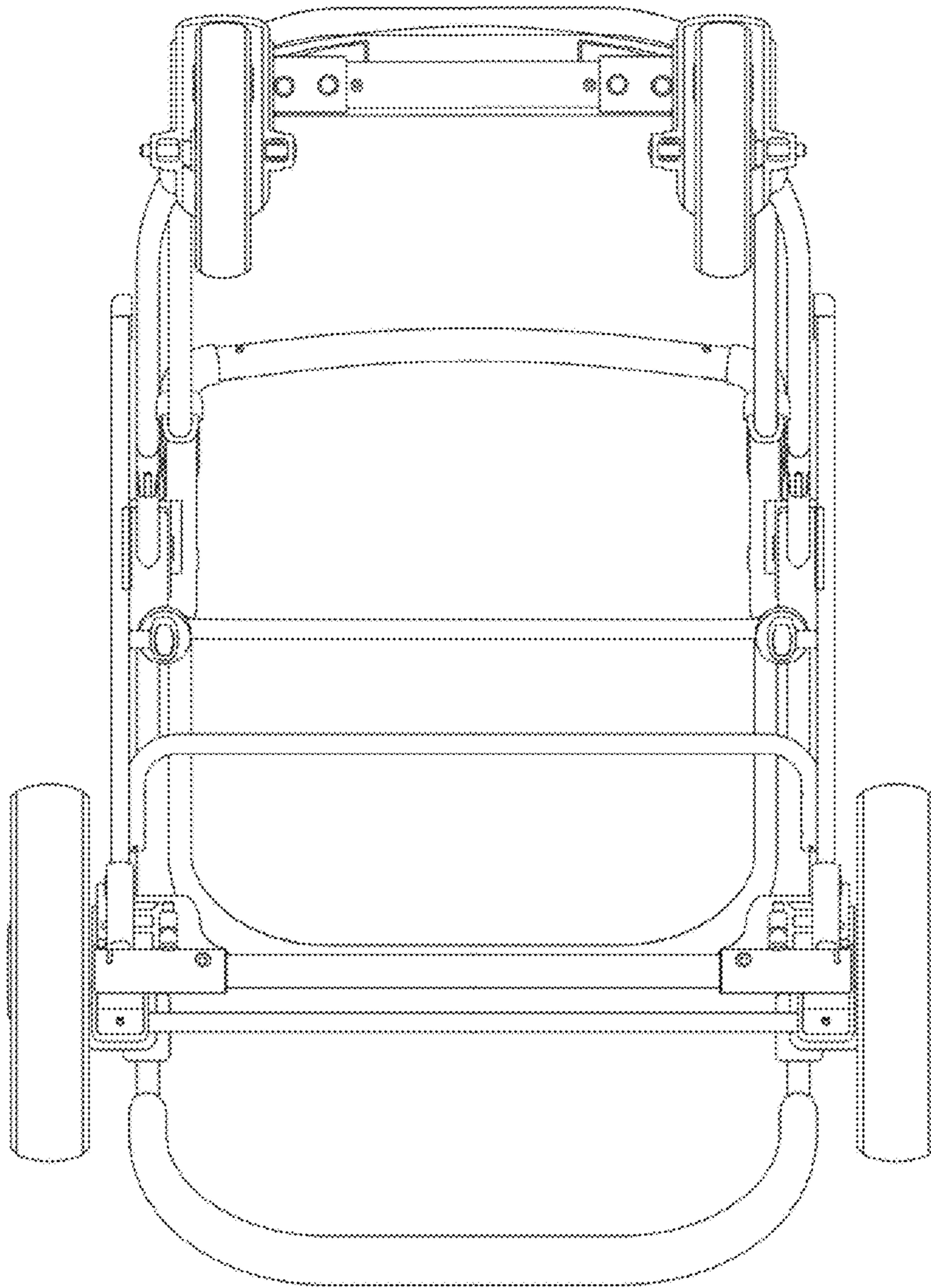


Fig.6

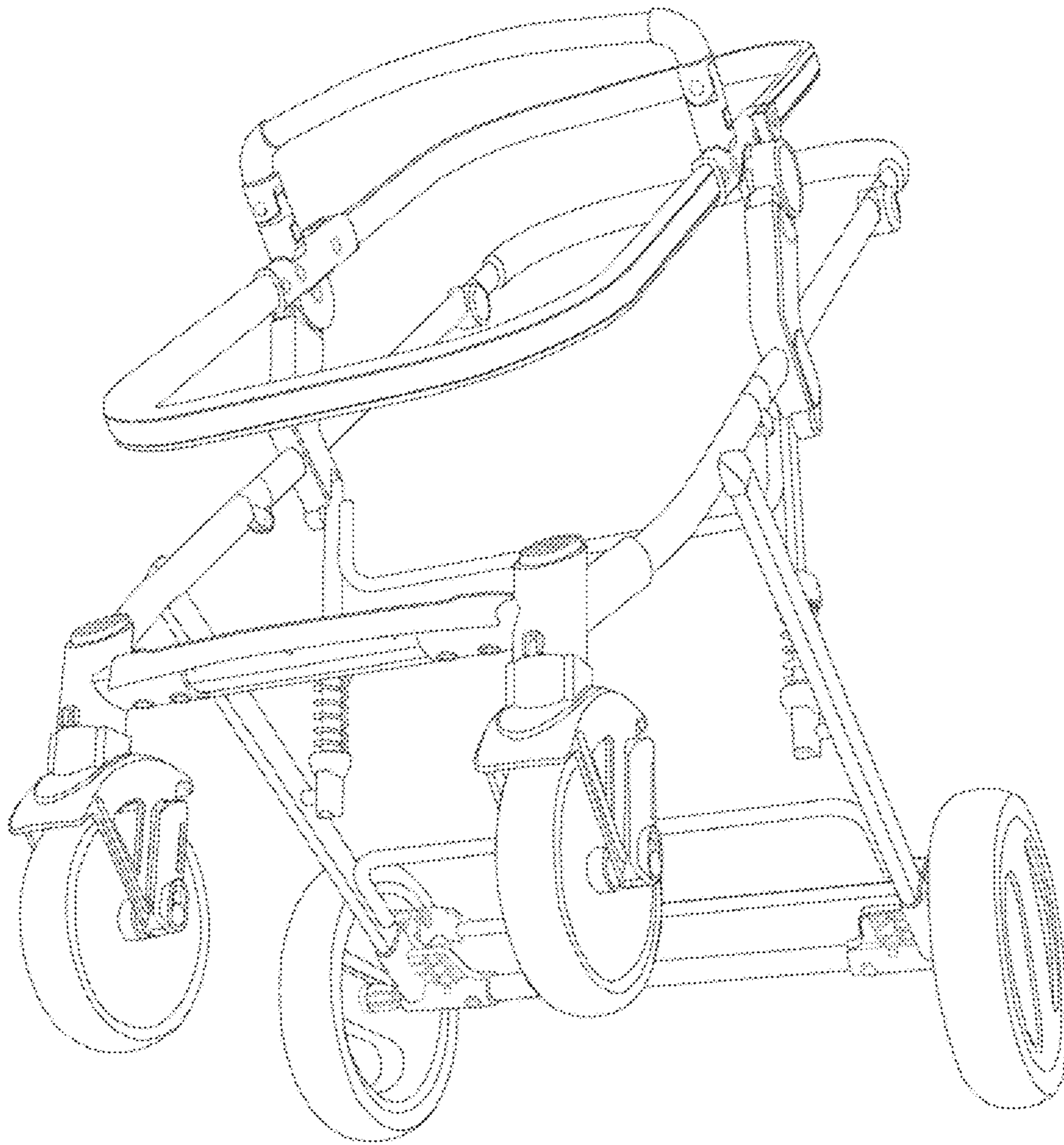


Fig. 7