



US00D854459S

(12) **United States Design Patent** (10) **Patent No.:** **US D854,459 S**
Doolin (45) **Date of Patent:** **** Jul. 23, 2019**

(54) **BICYCLE FRONTAL CHEST AND ABDOMEN SUPPORT BAR WITH INTERCHANGEABLE SUPPORT PANEL**

(71) Applicant: **Constance J. Doolin**, Walnut Creek, CA (US)

(72) Inventor: **Constance J. Doolin**, Walnut Creek, CA (US)

(**) Term: **15 Years**

(21) Appl. No.: **29/620,675**

(22) Filed: **Apr. 18, 2017**

(51) **LOC (11) Cl.** **12-11**

(52) **U.S. Cl.**
USPC **D12/115**

(58) **Field of Classification Search**
USPC D12/115, 114, 120, 407, 408, 400, 117, D12/111, 119, 411, 415, 420, 421; D8/373, 71; D21/814, 675; D24/188; D6/700
CPC ... B62H 3/00; B62H 3/02; B62K 3/005; B62J 1/28
See application file for complete search history.

(56) **References Cited**

U.S. PATENT DOCUMENTS

D228,588	S	*	10/1973	Gruden	D8/71
D231,195	S	*	4/1974	Reynolds	D12/415
D317,860	S	*	7/1991	Gary	D8/349
5,326,122	A		7/1994	Duffy		
5,383,677	A		1/1995	Thomas et al.		
D399,480	S	*	10/1998	Brungardt	D12/408
6,076,846	A		6/2000	Clardy		
6,131,935	A		10/2000	Judkins		
D506,164	S	*	6/2005	Barbosa	B62K 3/005 D12/111
D526,952	S	*	8/2006	Stahel	D12/411
D539,127	S	*	3/2007	Ly Hau	D8/373

D566,647	S	*	4/2008	Lee	D12/415
D605,577	S	*	12/2009	Maguire	D12/407
D611,480	S	*	3/2010	Hau	D14/452
D611,802	S	*	3/2010	Li	D8/363
D643,784	S	*	8/2011	Zobel	D12/111
D652,356	S	*	1/2012	Lindloff	D12/119
8,474,851	B2	*	7/2013	Schwartz	B62J 1/28 280/290
D701,329	S	*	3/2014	Tiner	D13/199
D713,186	S	*	9/2014	Miserendino	D6/691.4
D724,499	S	*	3/2015	Parvey	D12/119
9,056,569	B2	*	6/2015	Lindloff	B62J 1/28
D734,079	S	*	7/2015	Roth	D6/656.13
D743,969	S	*	11/2015	Kulkarni	D14/452

(Continued)

Primary Examiner — Michelle E. Wilson

Assistant Examiner — Clese Moore, Jr.

(74) *Attorney, Agent, or Firm* — Suzanne Kikel

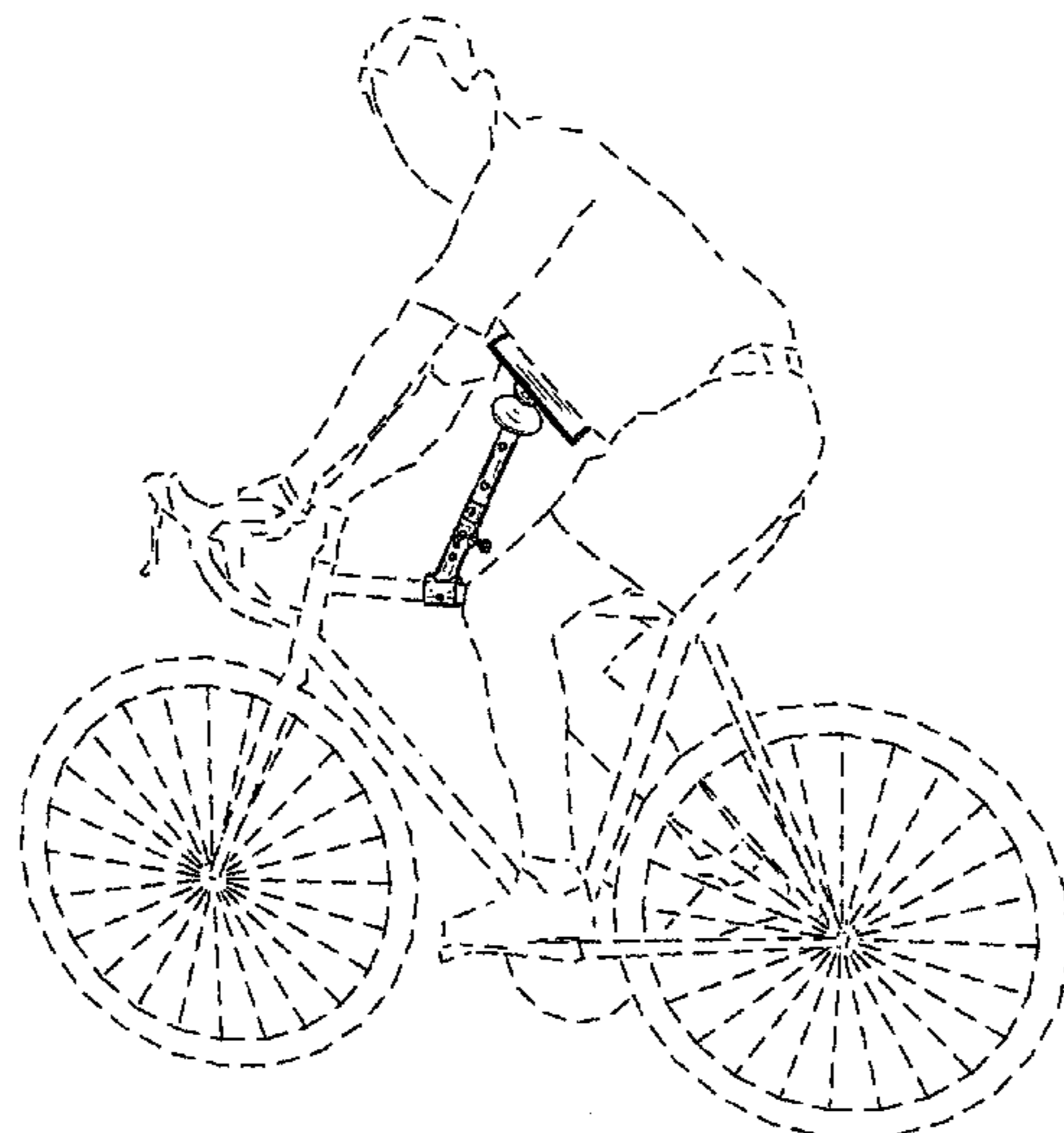
(57) **CLAIM**

The ornamental design for a bicycle frontal chest and abdomen support bar with interchangeable support panel, as shown and described.

DESCRIPTION

FIG. 1 is a perspective view of a bicycle frontal chest and abdomen support bar with interchangeable support panel, showing my new design and its attachment to a bicycle.
FIG. 2 is a front elevational view of the bicycle frontal chest and abdomen support bar with an interchangeable support panel of FIG. 1.
FIG. 3 is a rear elevational view thereof.
FIG. 4 is a left side elevational thereof.
FIG. 5 is a right side elevational view thereof.
FIG. 6 is a top view thereof; and,
FIG. 7 is a bottom view thereof.
The broken lines showing of a bicycle and a bicyclist in FIG. 1 depict environmental subject matter and form no part of the claimed design.

1 Claim, 6 Drawing Sheets



(56)

References Cited

U.S. PATENT DOCUMENTS

D794,363 S *	8/2017	Yoo	D6/641
D799,869 S *	10/2017	Yoo	D6/700
D805,459 S *	12/2017	Choo	D12/400
D815,476 S *	4/2018	Procter	D6/700
D823,010 S *	7/2018	Razon	D6/330
2015/0137574 A1 *	5/2015	Meyer	A47C 9/027 297/423.11

* cited by examiner

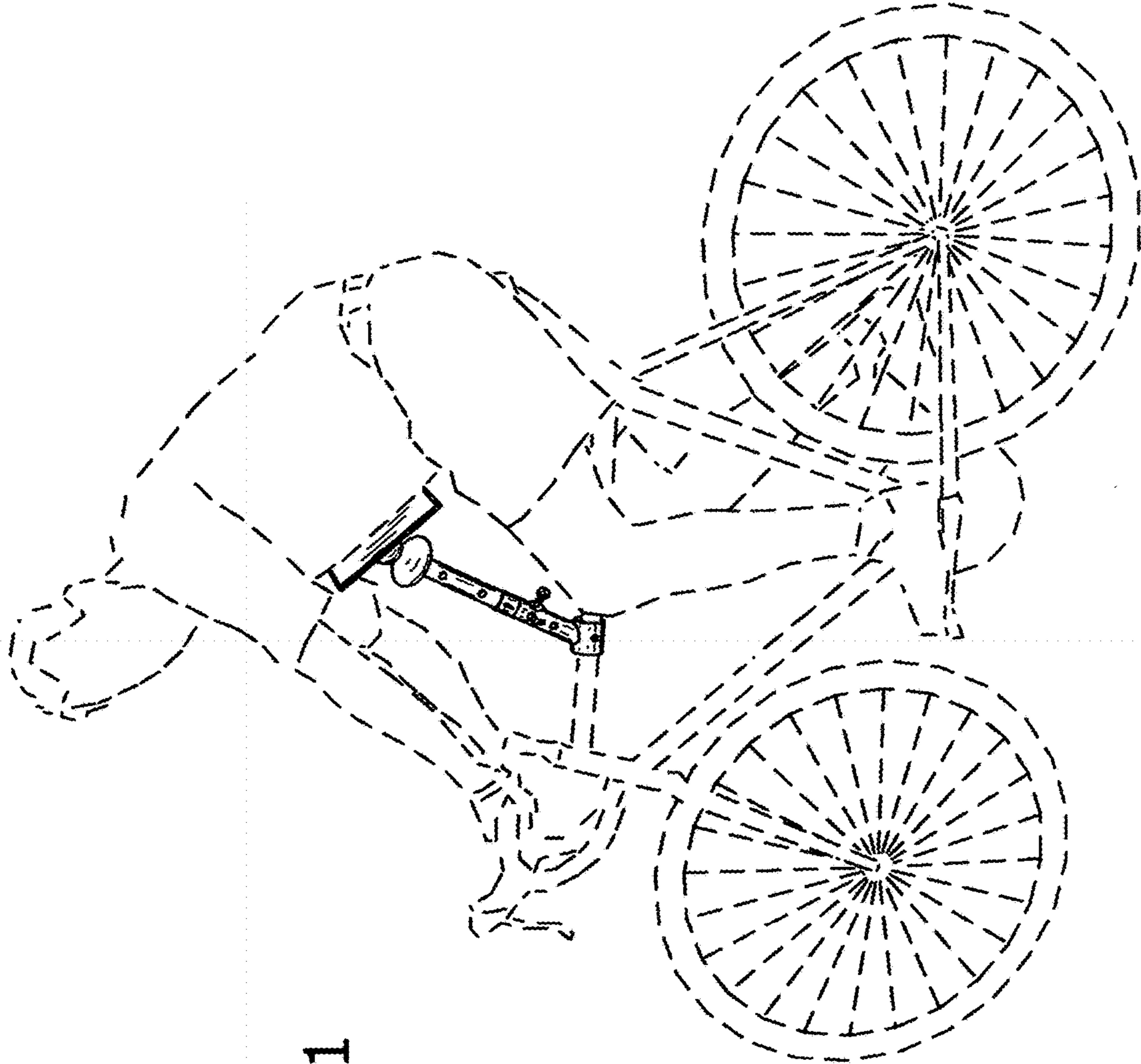


FIG. 1

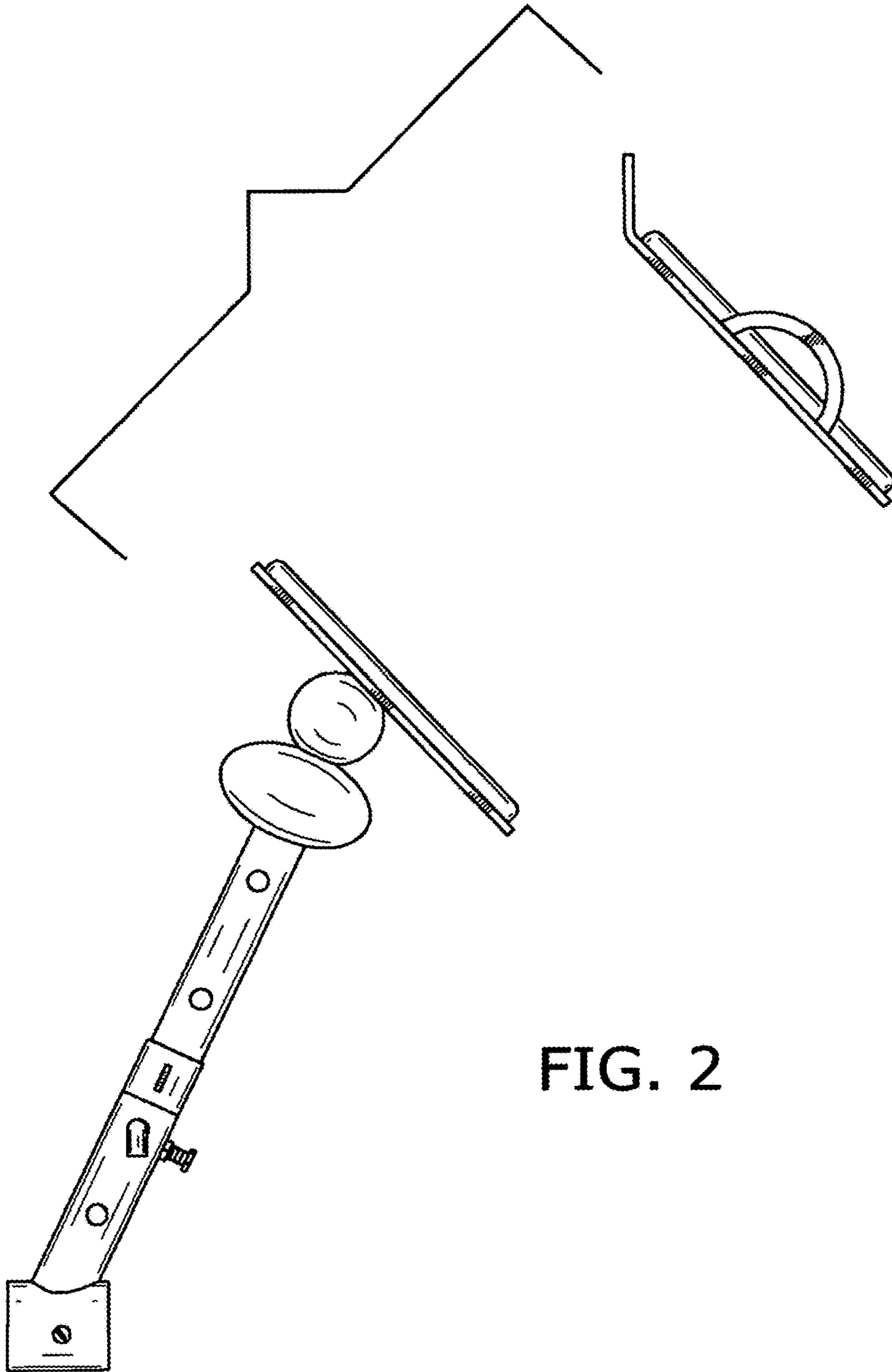


FIG. 2

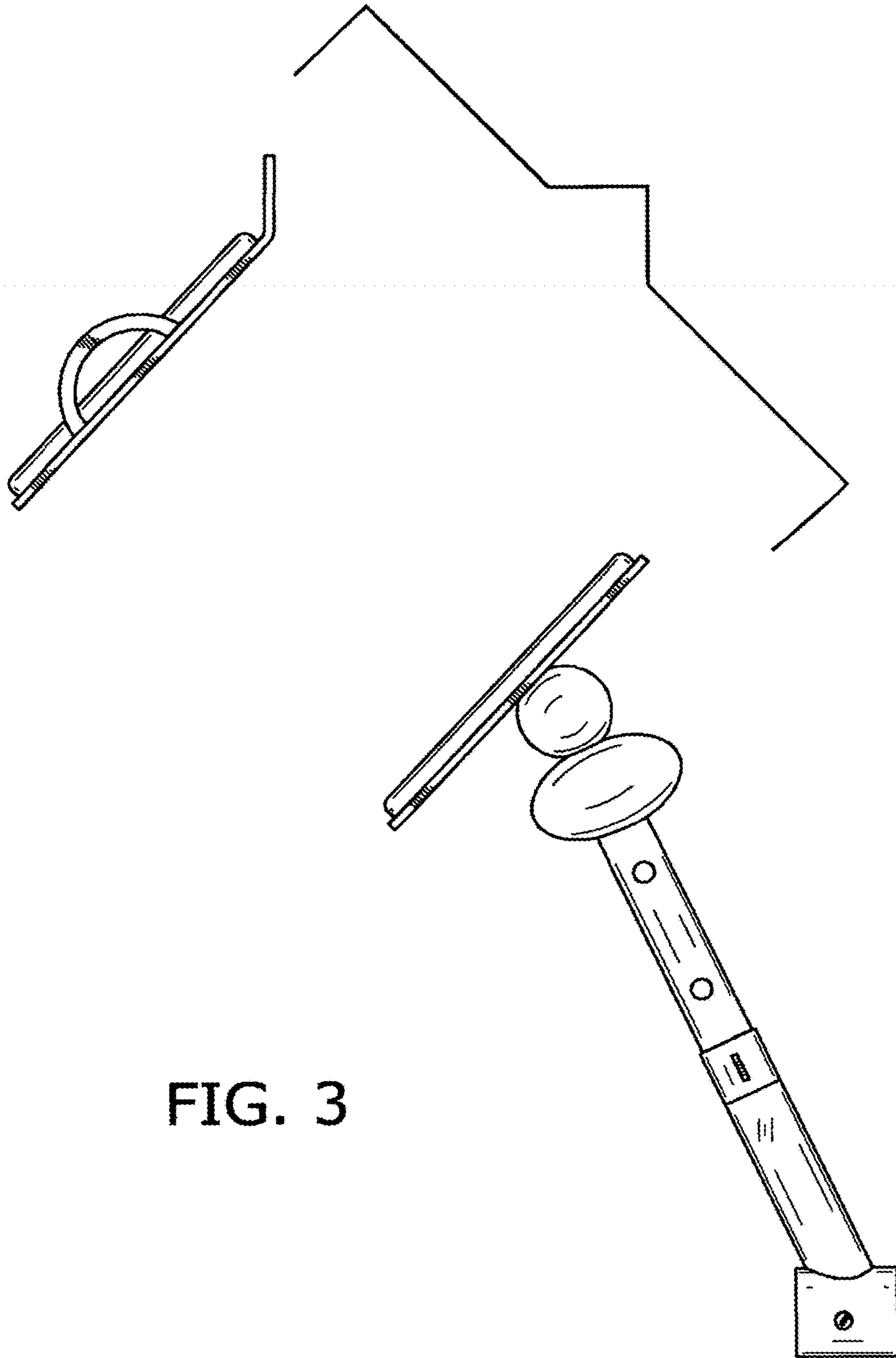


FIG. 3

FIG. 4

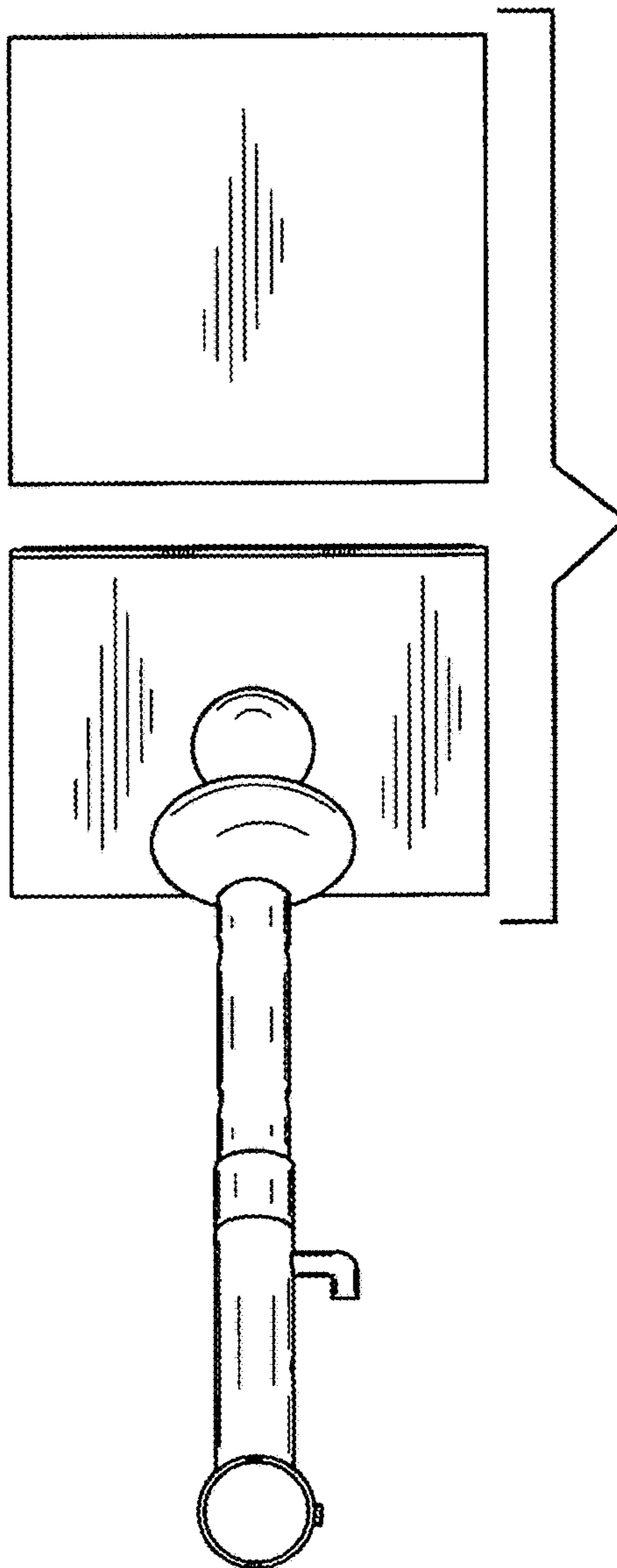
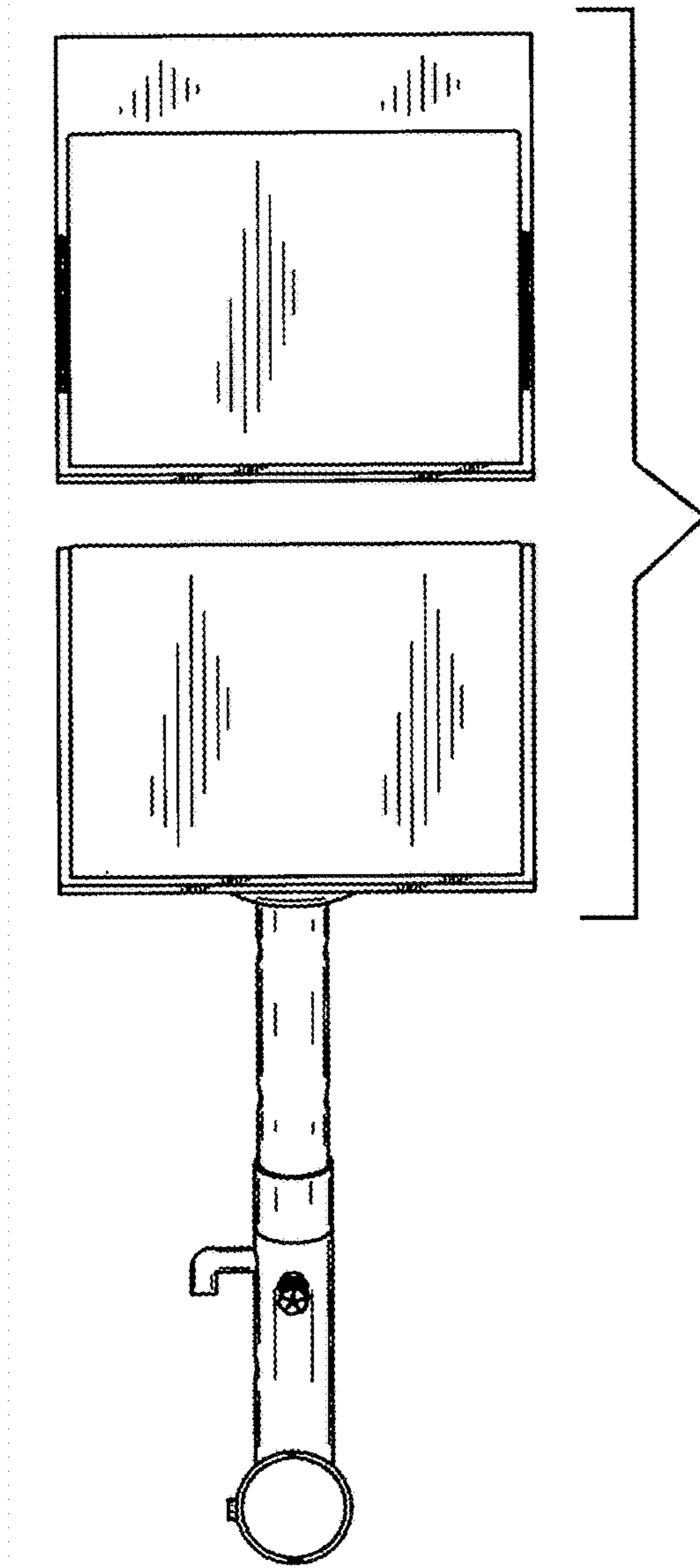


FIG. 5



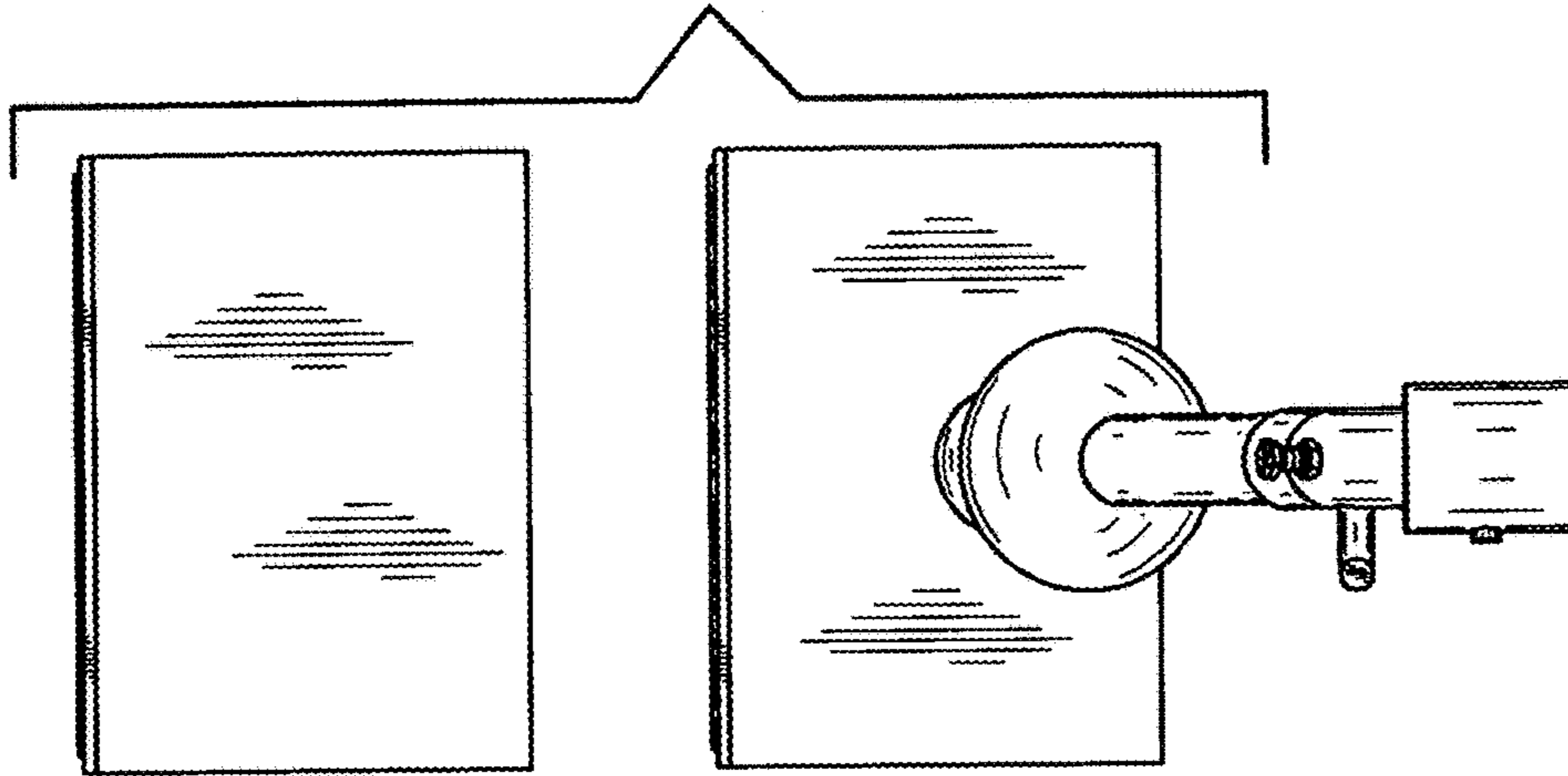


FIG. 7

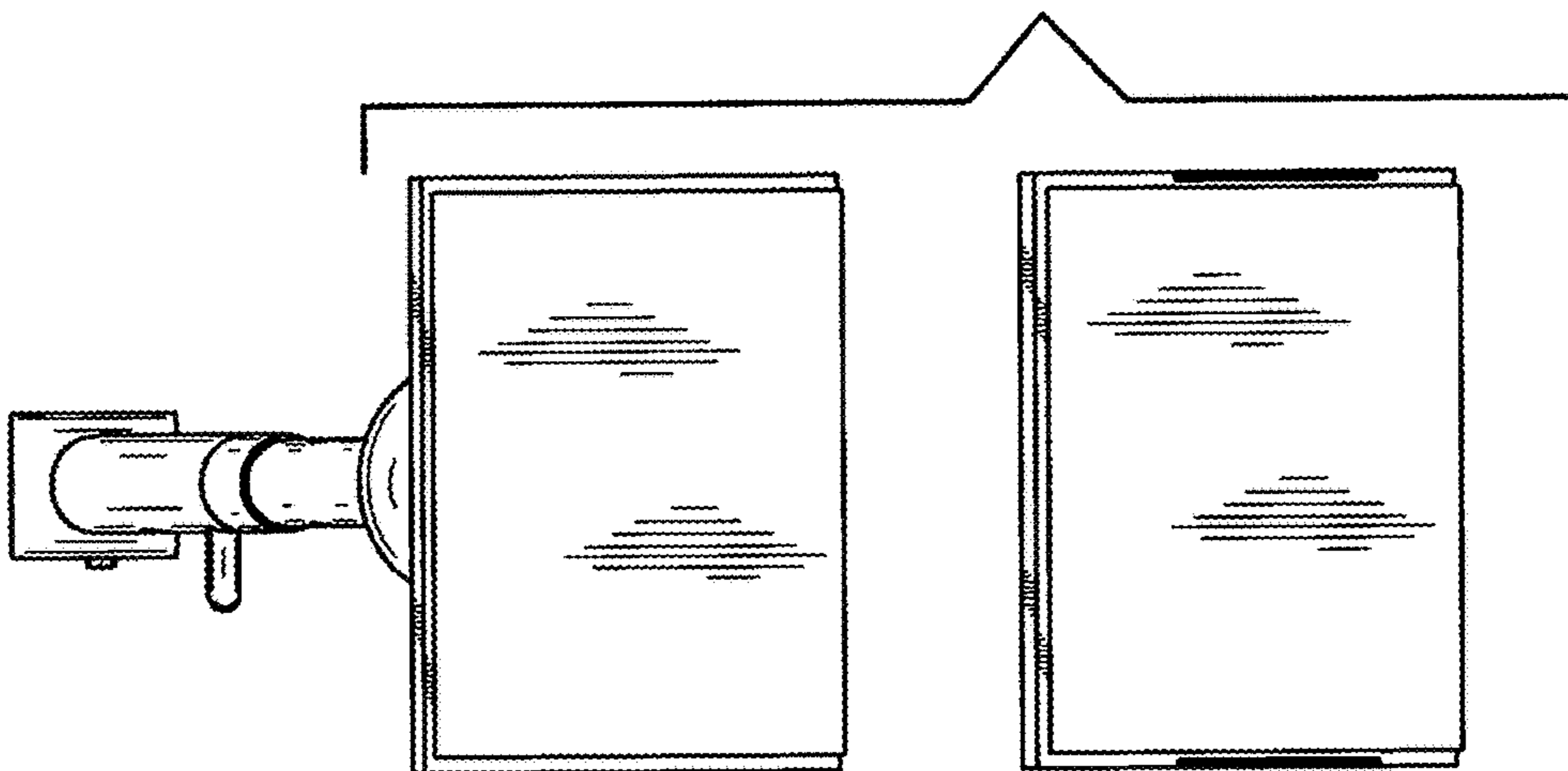


FIG. 6