



US00D854457S

(12) **United States Design Patent** (10) **Patent No.:** **US D854,457 S**  
**Kermani** (45) **Date of Patent:** **\*\* Jul. 23, 2019**

(54) **DRIFTING KART** 3,125,177 A 3/1964 Paller  
 3,533,484 A \* 10/1970 Wood, Jr. .... B60K 1/00  
 15/250.17  
 (71) Applicant: **Ali Kermani**, Huntington Beach, CA D222,283 S \* 10/1971 Reeves ..... D21/426  
 (US) 3,799,283 A \* 3/1974 Freber ..... B60G 9/00  
 180/56  
 (72) Inventor: **Ali Kermani**, Huntington Beach, CA 3,938,608 A 2/1976 Folco-Zambelli  
 (US) 3,960,392 A \* 6/1976 Read ..... B62K 9/02  
 280/282  
 (\*\*) Term: **15 Years** D243,627 S \* 3/1977 Clower ..... D12/107  
 D246,198 S \* 10/1977 Rose ..... D21/426  
 D249,496 S \* 9/1978 Morgan ..... D12/112  
 D252,714 S \* 8/1979 Tidwell ..... D21/426  
 4,281,844 A \* 8/1981 Jackman ..... B62K 9/02  
 280/263  
 (21) Appl. No.: **29/604,471** 4,359,231 A \* 11/1982 Mulcahy ..... B62D 9/02  
 280/288.1  
 (22) Filed: **May 17, 2017**

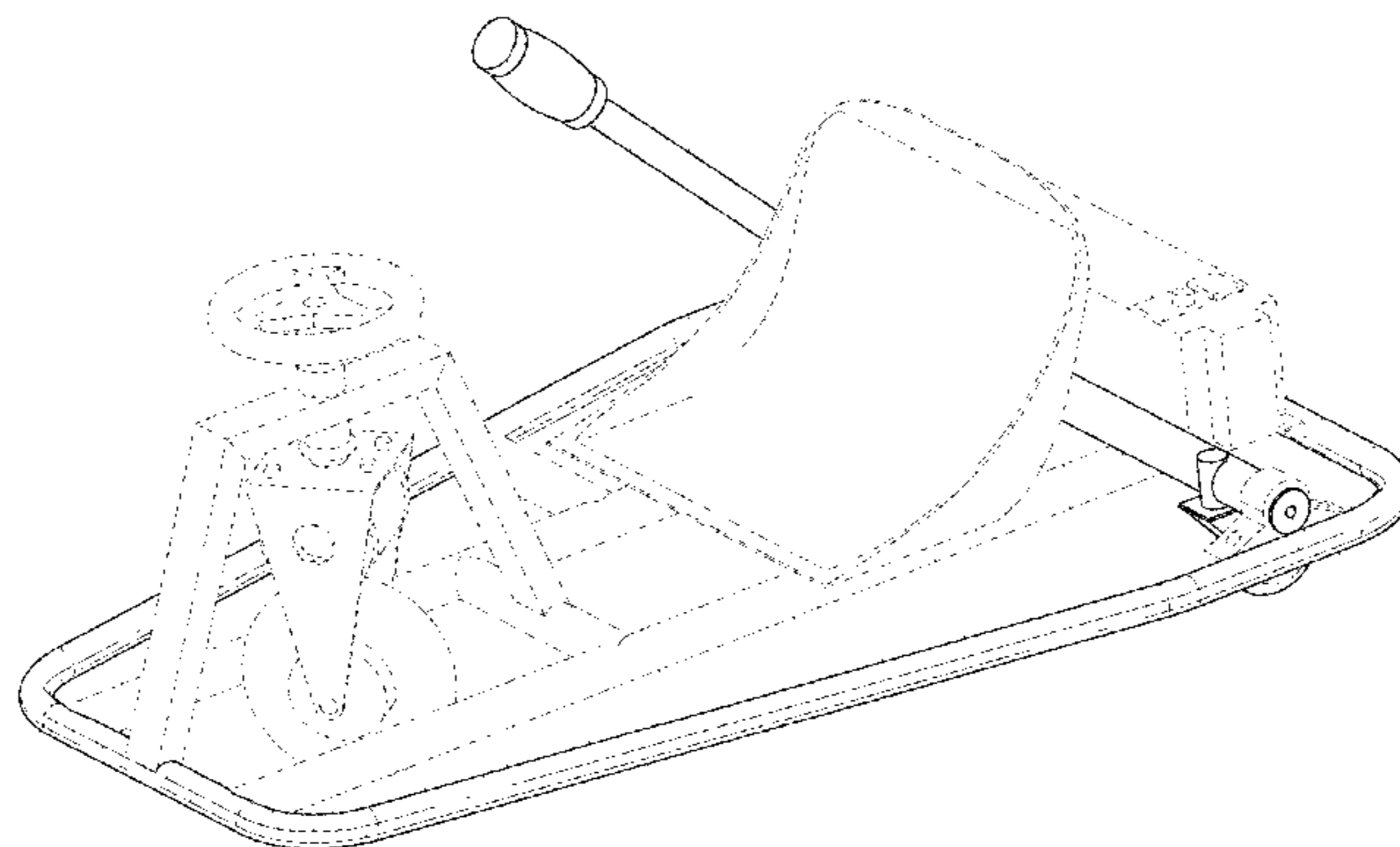
**Related U.S. Application Data**

(63) Continuation of application No. 29/571,286, filed on Jul. 15, 2016, now Pat. No. Des. 787,379, which is a continuation of application No. 29/488,366, filed on Apr. 17, 2014, now Pat. No. Des. 761,700, which is a continuation of application No. 13/745,648, filed on Jan. 18, 2013, now Pat. No. 8,875,831, which is a continuation of application No. 12/888,672, filed on Sep. 23, 2010, now Pat. No. 8,356,686, which is a continuation of application No. 12/505,955, filed on Jul. 20, 2009, now Pat. No. 7,823,675.  
 (60) Provisional application No. 61/082,014, filed on Jul. 18, 2008.  
 (51) **LOC (11) Cl.** ..... **12-11**  
 (52) **U.S. Cl.**  
 USPC ..... **D12/112; D21/426**  
 (58) **Field of Classification Search**  
 USPC ..... D21/412, 414, 431-435; D12/1, 107,  
 D12/110-114, 129, 130, 133  
 CPC ..... A63G 25/00; B62D 21/183; B62D 39/00;  
 B60K 7/0007  
 See application file for complete search history.

(56) **References Cited**

**U.S. PATENT DOCUMENTS**

3,062,559 A 6/1959 Hewitt  
 D189,614 S \* 1/1961 Beale ..... D12/88  
 D190,024 S \* 4/1961 Rouse ..... D12/88  
 5,036,938 A 8/1991 Blount et al.  
 D320,420 S \* 10/1991 Dupont ..... D12/88  
 D320,586 S \* 10/1991 Tellinghuisen ..... D12/112  
 D332,765 S \* 1/1993 Tellinghuisen ..... D12/112  
 D332,977 S \* 2/1993 Huffman ..... D21/423  
 5,257,671 A 11/1993 Watkins  
 5,265,690 A 11/1993 Amundsen et al.  
 5,477,936 A 12/1995 Sugioka et al.  
 5,479,998 A 1/1996 Ishikawa  
 5,494,126 A 2/1996 Meeker  
 D369,130 S \* 4/1996 Cummings ..... D12/112  
 D378,226 S \* 2/1997 Sundqvist ..... D21/433  
 5,628,379 A 5/1997 Watkins  
 5,826,670 A 10/1998 Nan  
 D408,869 S \* 4/1999 Patmont ..... D21/424  
 5,904,218 A 5/1999 Watkins  
 6,026,923 A 2/2000 Uphaus  
 6,047,786 A 4/2000 Stevenson et al.  
 D440,607 S \* 4/2001 Mahlow ..... D21/419  
 6,276,480 B1 8/2001 Aregger  
 6,349,786 B1 2/2002 Gift  
 D460,723 S \* 7/2002 Smit ..... D12/112



D466,560 S	12/2002	Stolpmann	
D469,819 S *	2/2003	Nicolle .....	D21/426
D483,420 S	12/2003	Delong et al.	
D488,194 S	4/2004	Fox et al.	
6,729,421 B1	5/2004	Gluck	
6,749,039 B1	6/2004	Uphaus	
6,766,871 B2	7/2004	Sawyer	
D512,467 S *	12/2005	Hadley .....	D21/424
7,117,967 B2	10/2006	Kidd	
7,198,322 B2	4/2007	Savo	
D562,914 S	2/2008	Oveson et al.	
D570,572 S	6/2008	Whiteside et al.	
D574,297 S	8/2008	Carl	
D575,675 S	8/2008	Williams et al.	
D582,992 S *	12/2008	Alais .....	D21/426
7,552,934 B2 *	6/2009	Lee .....	B62K 3/005 280/266
D608,250 S *	1/2010	Van De Vrie .....	D12/112
D611,106 S	3/2010	Van Beek	
7,712,558 B2	5/2010	Helson et al.	
7,823,675 B2	11/2010	Kermani	
D637,116 S	5/2011	Kettler	
D637,660 S	5/2011	Markowitz	
8,091,658 B2	1/2012	Peng	
8,356,686 B2	1/2013	Kermani	
8,365,850 B2	2/2013	Gal et al.	
D682,746 S	5/2013	Doherty et al.	
D692,505 S *	10/2013	Jiang .....	D12/112
D692,506 S *	10/2013	Jiang .....	D12/112
8,801,005 B1	8/2014	Flickner et al.	
8,875,831 B2	11/2014	Kermani	
9,102,375 B2	8/2015	Kermani	
9,139,248 B2	9/2015	Xiao	
D761,700 S *	7/2016	Kermani .....	D12/112
D766,780 S *	9/2016	Fusco .....	D12/112
D771,196 S *	11/2016	Chen .....	D21/424
9,499,220 B2	11/2016	Kermani	
D774,602 S	12/2016	Desberg	
D774,981 S *	12/2016	Chen .....	D12/112
D775,282 S	12/2016	Williams et al.	
D778,369 S	2/2017	Douma et al.	
D783,726 S	4/2017	Williams et al.	
D787,379 S	5/2017	Kermani	
D792,811 S	7/2017	Kermani et al.	
D793,480 S	8/2017	Chen	
D793,481 S	8/2017	Kermani et al.	
D793,912 S	8/2017	Kermani	
D807,438 S	1/2018	Desberg	
D820,733 S	6/2018	Chen	
D830,469 S	10/2018	Kermani et al.	
D830,470 S	10/2018	Chen	
2004/0035627 A1	2/2004	Richey et al.	
2004/0040769 A1	3/2004	Richey et al.	
2004/0199311 A1 *	10/2004	Aguilar .....	G09B 9/042 701/36
2007/0045022 A1	3/2007	Greig et al.	
2008/0122209 A1	5/2008	Jayasuriya	
2008/0196951 A1	8/2008	Gal et al.	
2009/0065272 A1	3/2009	Martin et al.	
2010/0032223 A1 *	2/2010	Kermani .....	A63G 25/00 180/216
2011/0042912 A1	2/2011	Kermani	
2012/0133111 A1	5/2012	Schmutzer et al.	

2017/0156953 A1	6/2017	Kermani
2018/0029458 A1	2/2018	Chen et al.
2018/0043950 A1	2/2018	Kermani et al.

FOREIGN PATENT DOCUMENTS

CN	2936826	8/2007
CN	200977859	11/2007
CN	201009762 Y	1/2008
CN	203186508 U	9/2013
CN	203427959 U	2/2014
EP	0529188 A1	3/1993
WO	WO 2018/035060 A1	2/2018

OTHER PUBLICATIONS

Aamoth, Doug, "Razor Builds the Ultimate Drifting Go-Kart: Why Must I Always Be Over the Weight Limit for Everything Good in This World?," Jul. 11, 2013, retrieved on Aug. 6, 2016, <http://techland.time.com/2013/07/11/razor-builds-the-ultimate-drifting-go-kart-why-must-i-always-be-over-the-weight-limit-for-everything-good-in-this-world/>, in 2 pages.  
 OTL Electrokart, "Storm Series—Competition" Datasheet, Jun. 14, 2014, retrieved on Aug. 6, 2016, <https://www.kart1.com/pdf/competition.pdf>, in 3 pages.  
 International Written Opinion for International Patent Application No. PCT/CN2017/072086, dated May 19, 2017.

\* cited by examiner

*Primary Examiner* — Darlington Ly  
 (74) *Attorney, Agent, or Firm* — Knobbe Martens Olson & Bear, LLP

(57) **CLAIM**

The ornamental design for a drifting kart, as shown and described.

**DESCRIPTION**

FIG. 1 is a perspective view of a drifting kart which embodies my design.  
 FIG. 2 is a left side view of the drifting kart of FIG. 1. The right side view of the drifting kart of FIG. 1 is the mirror image of FIG. 2, except the hand lever would be partially hidden behind the seat and the steering mechanism would be turned in the opposite direction.  
 FIG. 3 is a front view of the drifting kart of FIG. 1.  
 FIG. 4 is a rear view of the drifting kart of FIG. 1.  
 FIG. 5 is a top view of the drifting kart of FIG. 1; and,  
 FIG. 6 is a bottom view of the drifting kart of FIG. 1.  
 Broken lines are used to illustrate portions of the drifting kart which form no part of the claimed design.

**1 Claim, 5 Drawing Sheets**

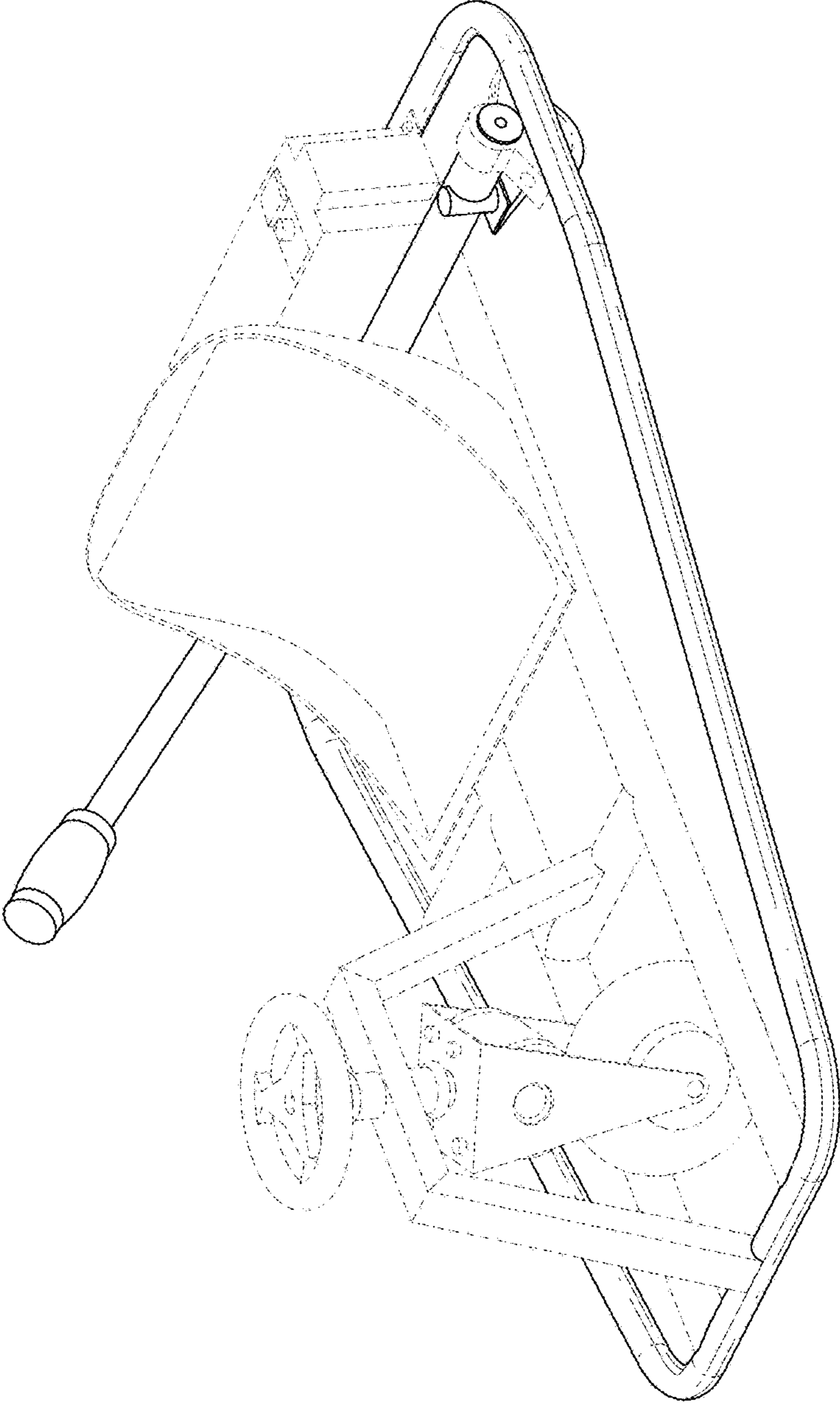


FIG. 1

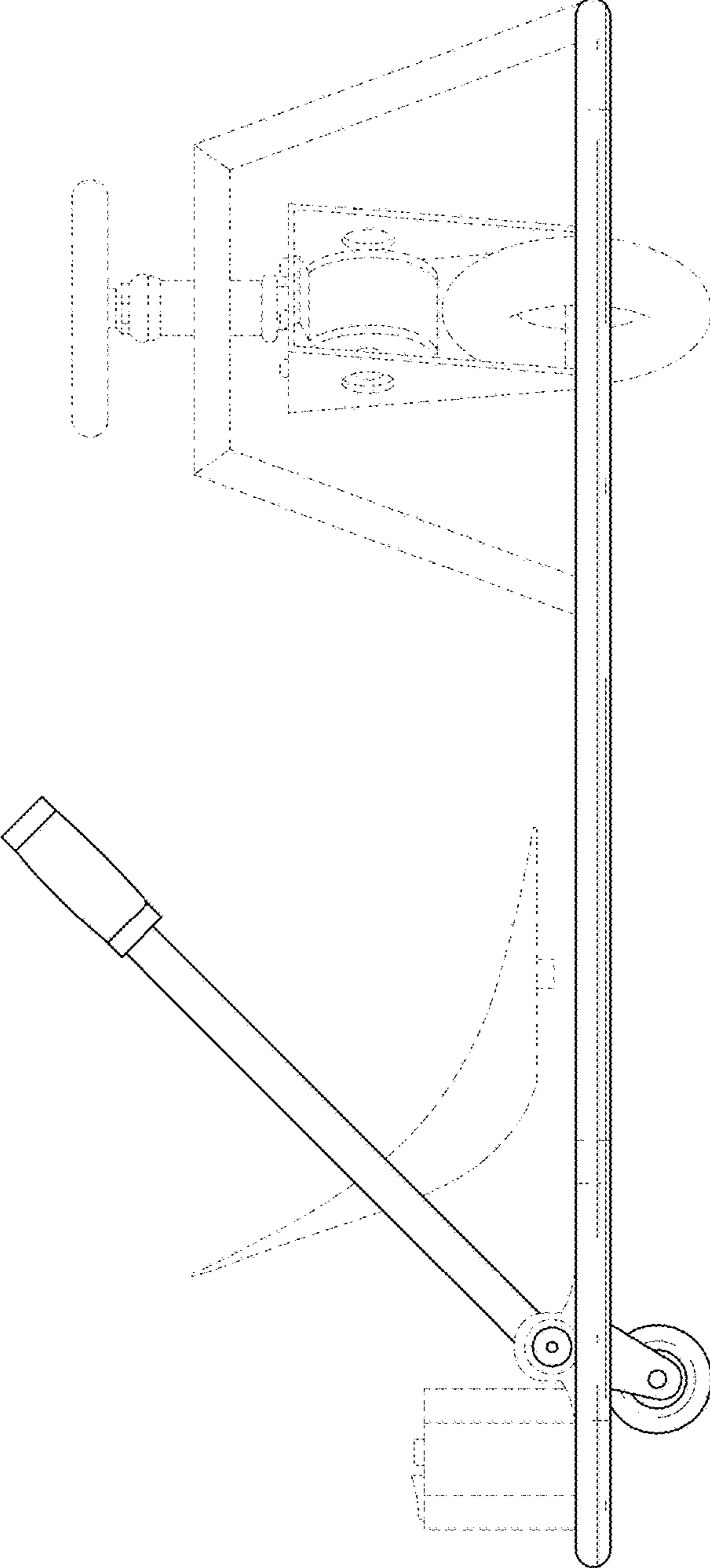


FIG. 2

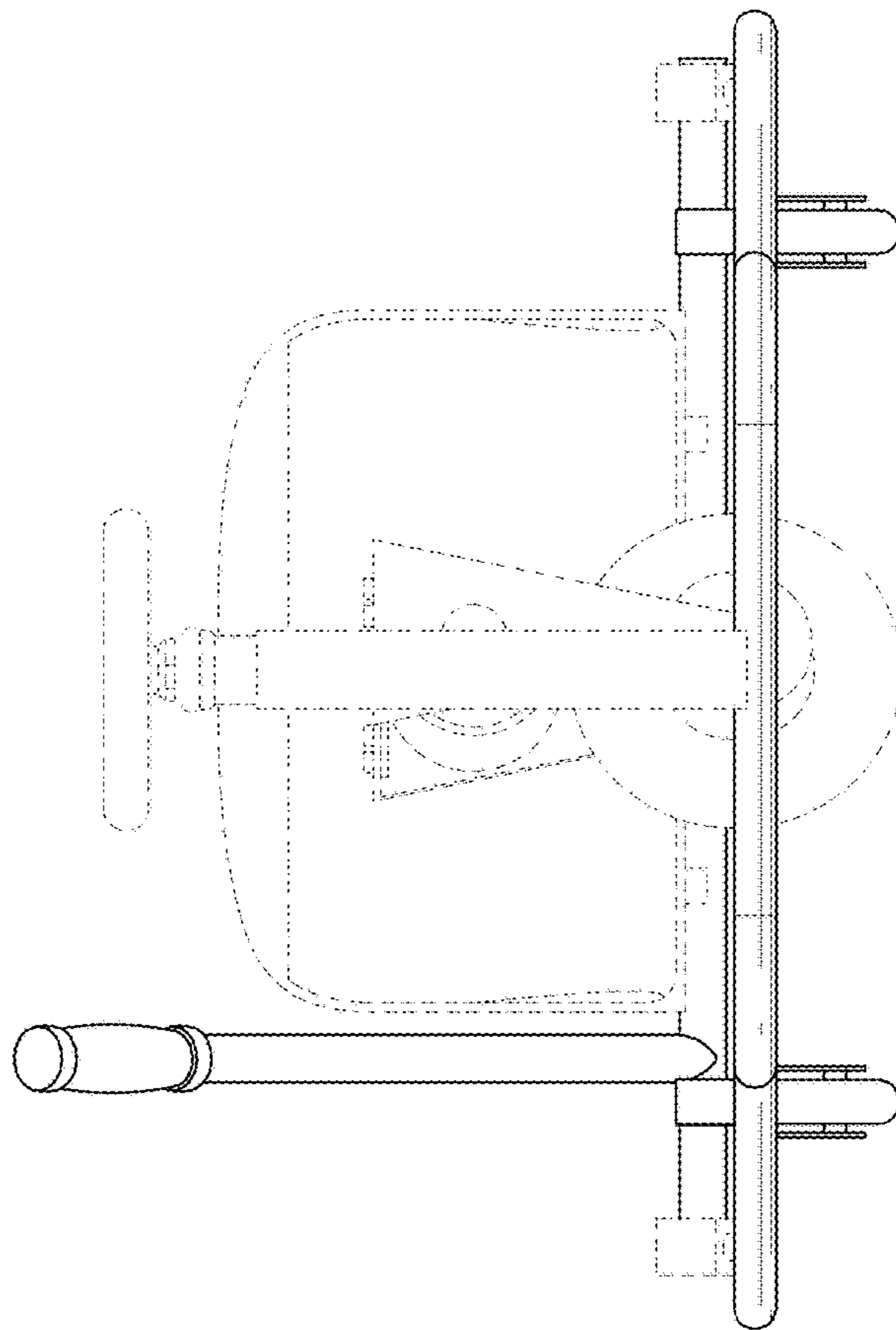


FIG. 3

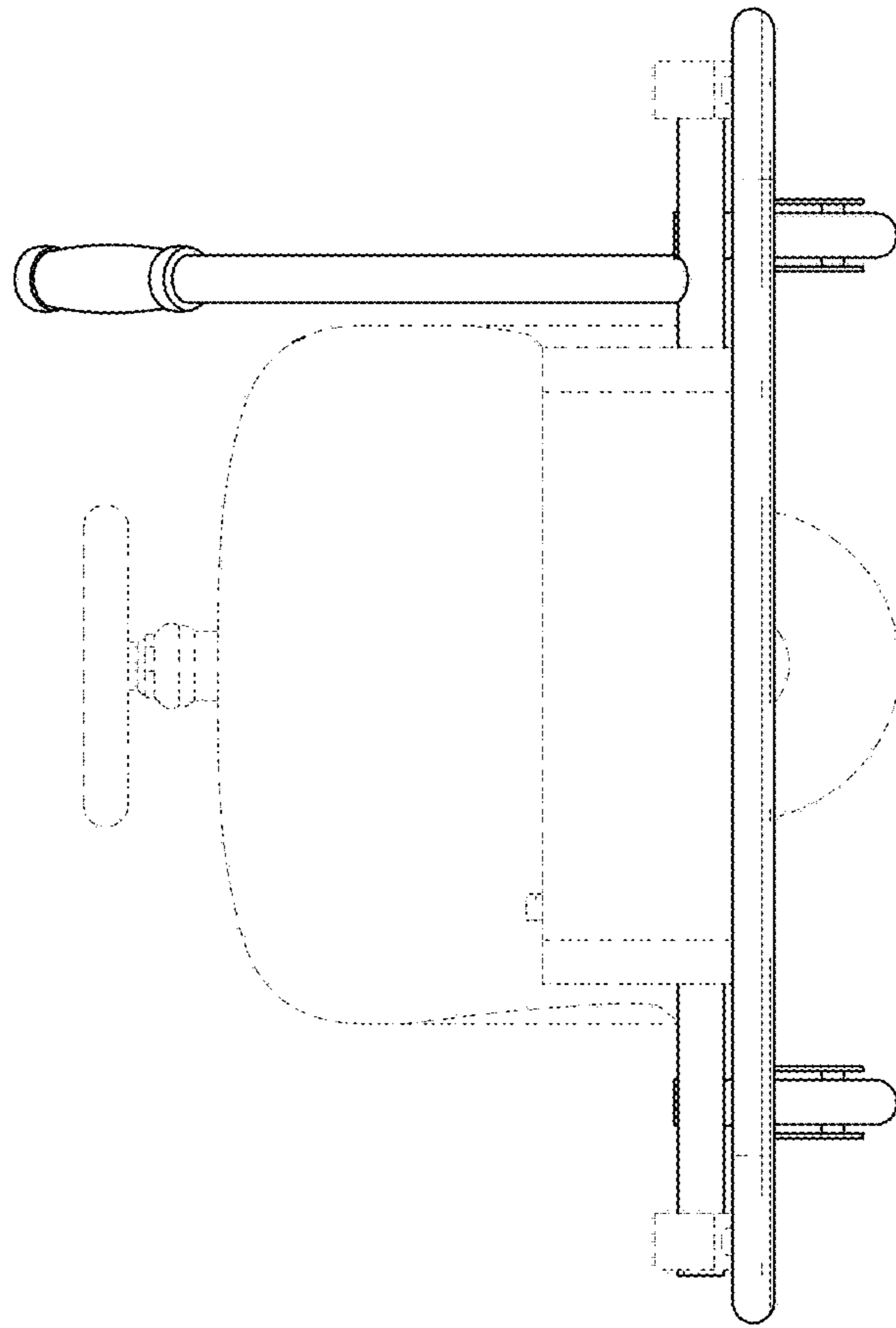


FIG. 4

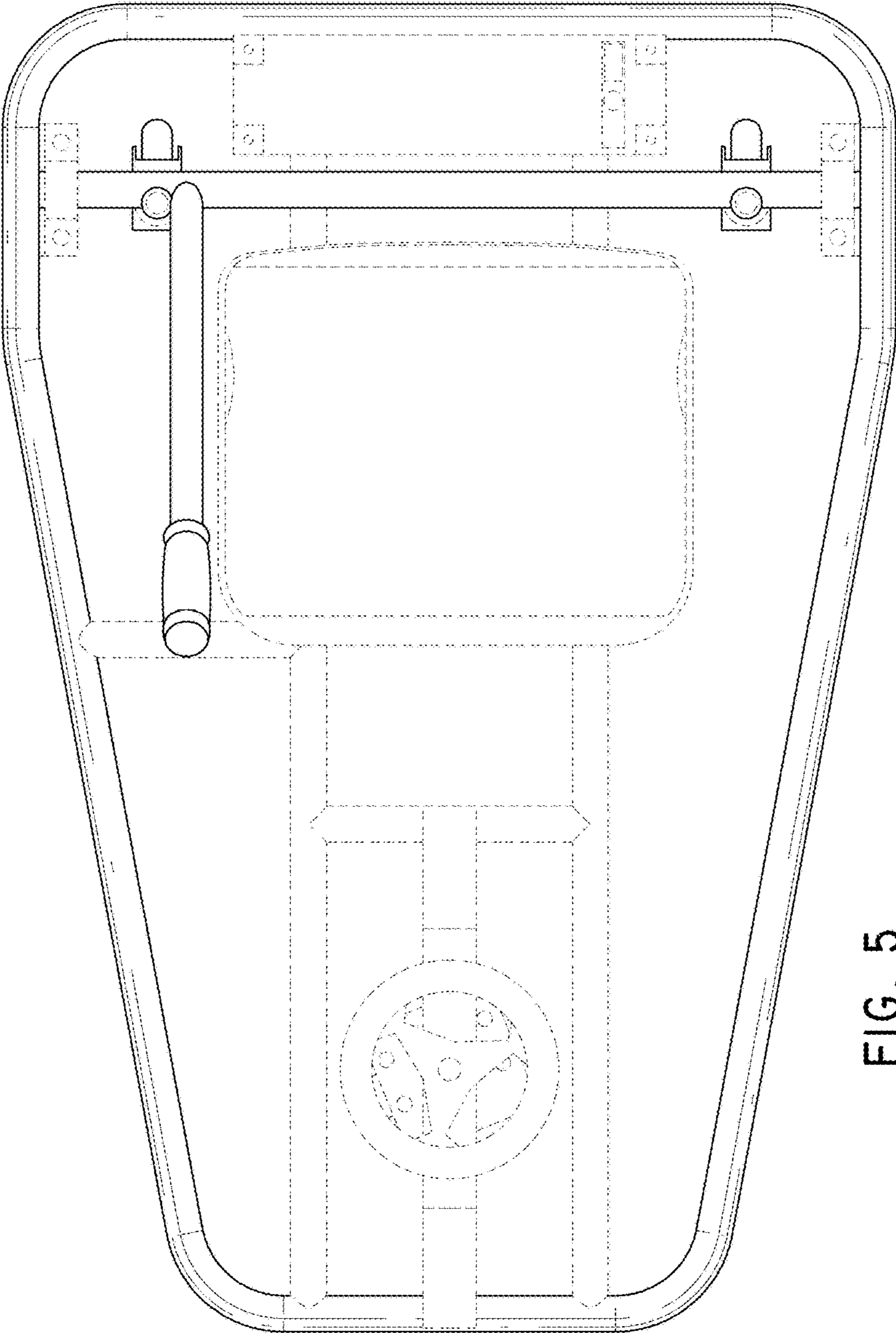


FIG. 5

UNITED STATES PATENT AND TRADEMARK OFFICE  
**CERTIFICATE OF CORRECTION**

PATENT NO. : D854,457 S  
APPLICATION NO. : 29/604471  
DATED : July 23, 2019  
INVENTOR(S) : Ali Kermani

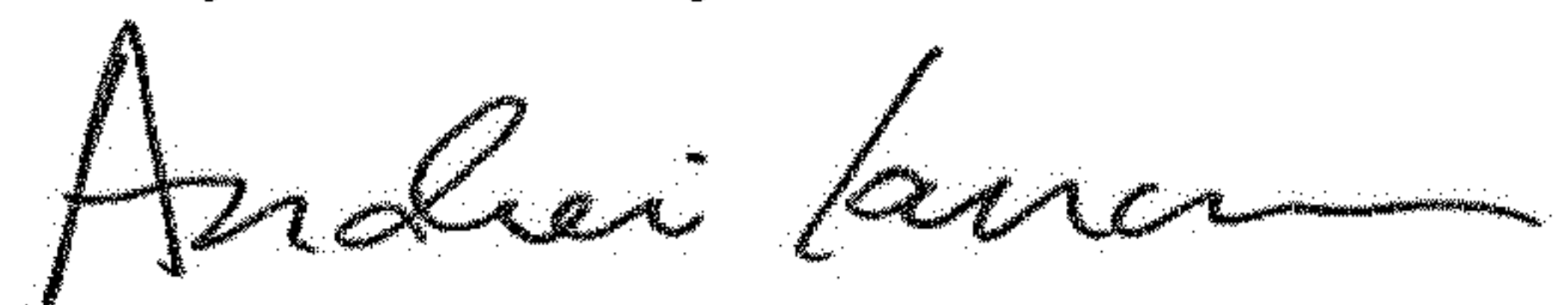
Page 1 of 1

It is certified that error appears in the above-identified patent and that said Letters Patent is hereby corrected as shown below:

On Page 2, Item (57), Line 13, under Description, change "FIG. 1." to --FIG. 1; and,--.

On Page 2, Item (57), Lines 14-15, under Description, after "kart of" delete "FIG. 1; and, FIG. 6 is a bottom view of the drifting kart of".

Signed and Sealed this  
Twenty-sixth Day of November, 2019



Andrei Iancu  
*Director of the United States Patent and Trademark Office*