



US00D854451S

(12) **United States Design Patent** (10) **Patent No.:** **US D854,451 S**  
**Roberts** (45) **Date of Patent:** **\*\* Jul. 23, 2019**

(54) **CARAVAN**  
(71) Applicant: **Piers Roberts**, Solihull (GB)  
(72) Inventor: **Piers Roberts**, Solihull (GB)  
(\*\*) Term: **15 Years**  
(21) Appl. No.: **35/504,077**  
(22) Filed: **Nov. 3, 2017**

(80) **Hague Agreement Data**  
Int. Filing Date: **Nov. 3, 2017**  
Int. Reg. No.: **DM/098689**  
Int. Reg. Date: **Nov. 3, 2017**  
Int. Reg. Pub. Date: **Dec. 8, 2017**  
(51) **LOC (11) Cl.** ..... **12-10**  
(52) **U.S. Cl.**  
USPC ..... **D12/103**  
(58) **Field of Classification Search**  
USPC ..... D12/101, 102-106  
CPC .... B60P 3/32; B60P 3/34; B60P 3/343; B62D  
35/00; B62D 35/002; B62D 35/004;  
B62D 63/06; B62D 63/061; B62D  
63/062; B62D 63/068; B62D 63/08  
See application file for complete search history.

(56) **References Cited**  
U.S. PATENT DOCUMENTS  
D97,140 S \* 10/1935 McFall ..... D12/103  
D98,650 S \* 2/1936 Kaunitz et al. .... D12/103  
D163,631 S \* 6/1951 Powell ..... D12/103  
D181,272 S \* 10/1957 Bird ..... D12/103  
D187,786 S \* 5/1960 Clark ..... D12/103  
D194,662 S \* 2/1963 Zale ..... D12/102  
3,574,388 A \* 4/1971 Stone ..... B60P 3/32  
280/43.23  
D223,751 S \* 6/1972 Palumbo ..... D12/103  
D224,589 S \* 8/1972 Chow ..... D12/103  
D225,159 S \* 11/1972 Gardner et al. .... D12/103

D231,344 S \* 4/1974 Miller et al. .... D12/103  
D231,918 S \* 6/1974 Smith ..... D12/103  
3,887,226 A \* 6/1975 Hart ..... B60P 3/34  
296/169  
D236,334 S \* 8/1975 Heath ..... D12/103  
D242,851 S \* 12/1976 Sakow ..... D12/103  
D249,256 S \* 9/1978 Simoneau ..... D12/103  
D258,949 S \* 4/1981 White ..... D12/103  
D271,388 S \* 11/1983 Bourke ..... D12/103  
D292,196 S \* 10/1987 Dooley ..... D12/97  
4,728,144 A \* 3/1988 Crean ..... B60P 3/32  
296/156  
4,890,879 A \* 1/1990 Hurlock ..... B62D 35/002  
296/156  
D314,165 S \* 1/1991 Sanders ..... D12/103  
D328,728 S \* 8/1992 Shea, Sr. .... D12/103  
D340,430 S \* 10/1993 Krah ..... D12/103  
D344,473 S \* 2/1994 Romesburg ..... D12/102  
D354,023 S \* 1/1995 Romesburg ..... D12/102  
5,653,494 A \* 8/1997 Cleall ..... B60P 3/34  
280/19.1  
D392,921 S \* 3/1998 McCloud ..... D12/103

(Continued)

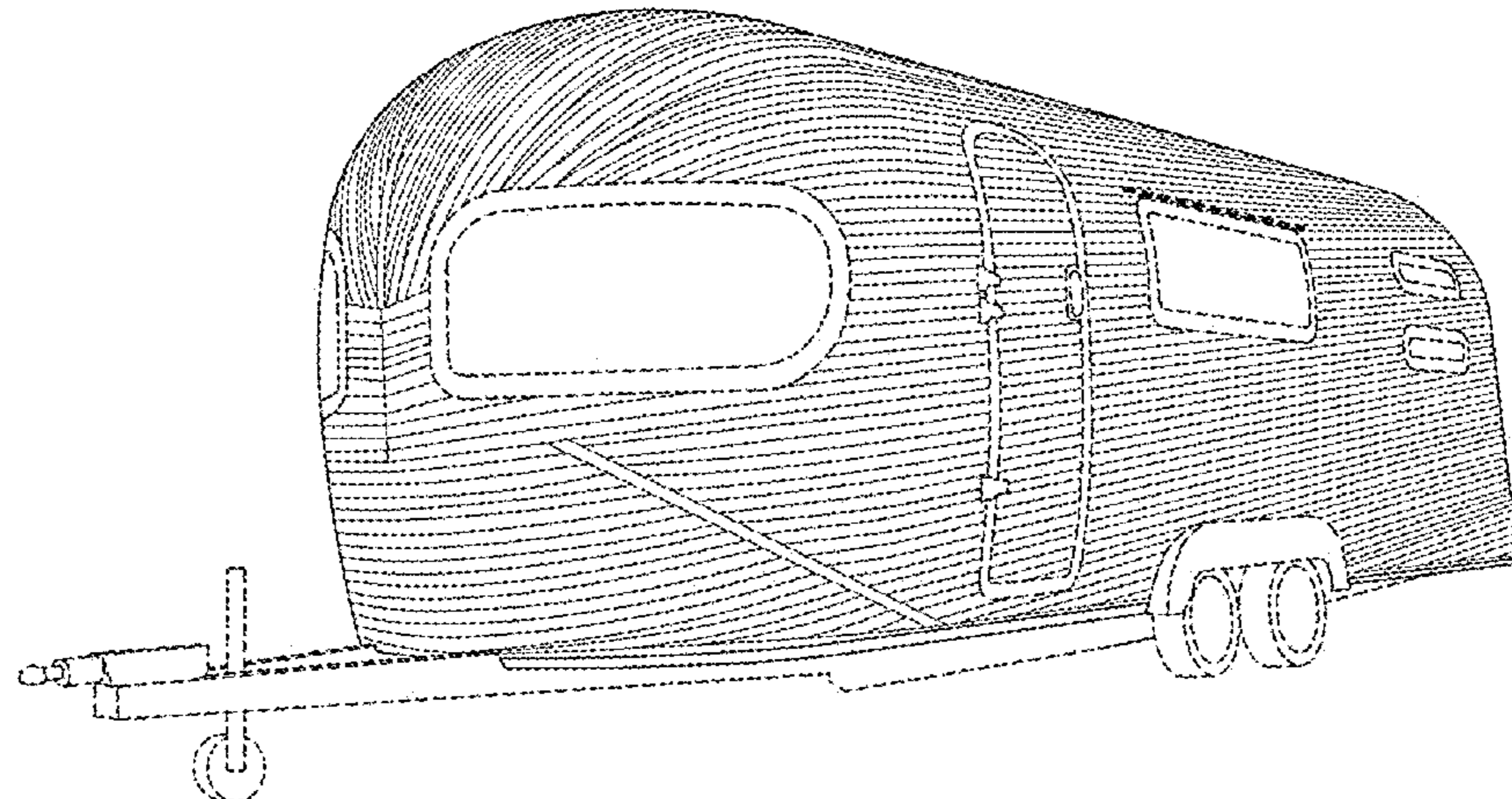
*Primary Examiner* — Darlington Ly  
(74) *Attorney, Agent, or Firm* — Murtha Cullina LLP

(57) **CLAIM**  
The ornamental design for a caravan, as shown and described.

**DESCRIPTION**

1. Caravan  
1.1 is a front and left side perspective view of a caravan showing my new design;  
1.2 is a left side elevation view thereof;  
1.3 is a front elevation view thereof;  
1.4 is a right side elevation view thereof;  
1.5 is a rear elevation view thereof; and  
1.6 is a top plan view thereof.  
No protection is sought for features shown in dashed lines. The solid lines in the reproductions show the claimed design.

**1 Claim, 6 Drawing Sheets**



(56)

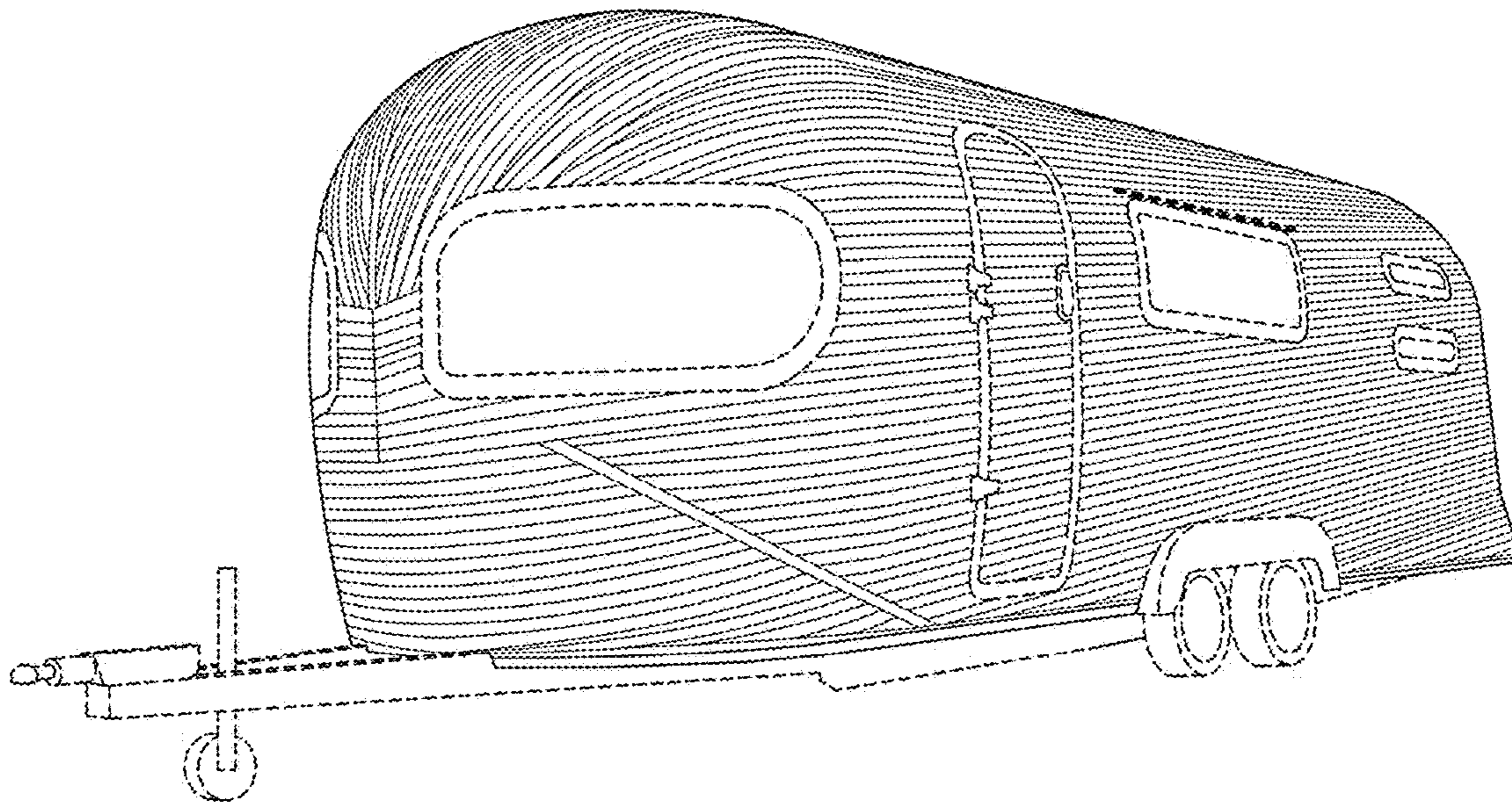
**References Cited**

## U.S. PATENT DOCUMENTS

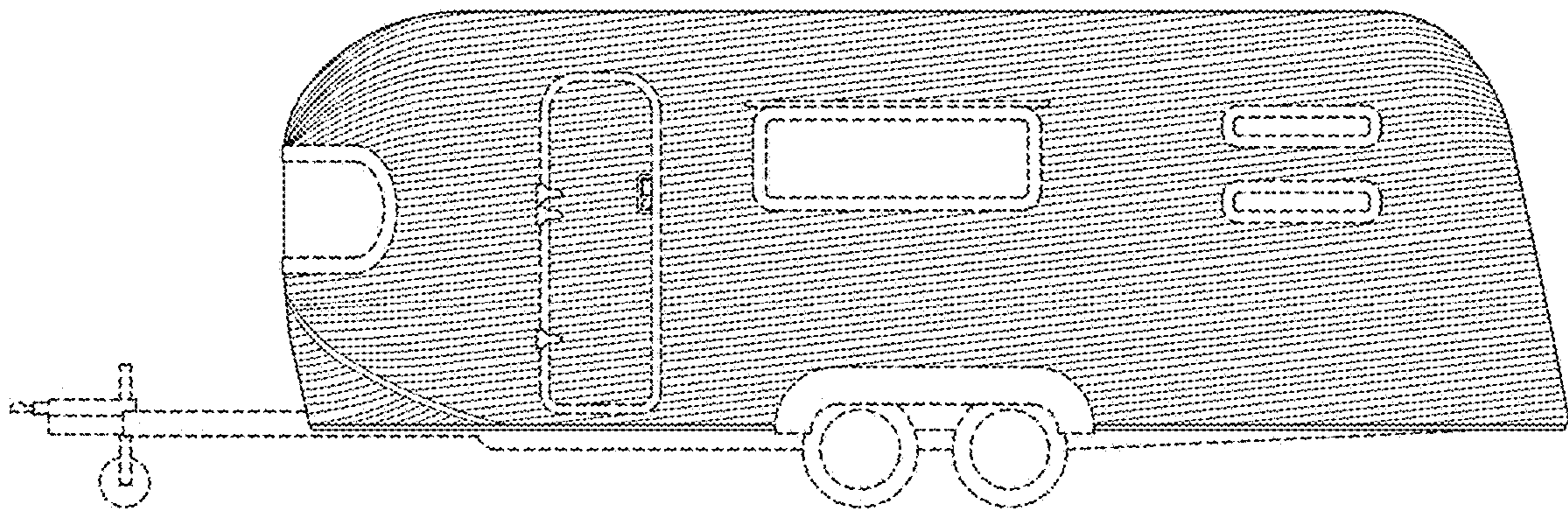
D458,190	S	*	6/2002	LeDonne	.....	D12/102
D458,876	S	*	6/2002	Kendall	.....	D12/103
D522,922	S	*	6/2006	Swails	.....	D12/103
D542,185	S	*	5/2007	Remington	.....	D12/103
7,234,761	B1	*	6/2007	Crean	.....	B60P 3/343 296/180.1
D561,063	S	*	2/2008	Hughes	.....	D12/102
D568,793	S	*	5/2008	Oliver	.....	D12/103
D589,847	S	*	4/2009	Sasnoswki	.....	D12/102
D610,489	S	*	2/2010	Rodabaugh	.....	D12/102
D617,685	S	*	6/2010	Rodabaugh	.....	D12/103
D689,402	S	*	9/2013	Lee	.....	D12/103
D690,621	S	*	10/2013	Rose	.....	D12/105
D692,353	S	*	10/2013	Kiez	.....	D12/103
D737,726	S	*	9/2015	Austin	.....	D12/104
D823,170	S	*	7/2018	Finney	.....	D12/103
D826,787	S	*	8/2018	Goral	.....	D12/103

\* cited by examiner

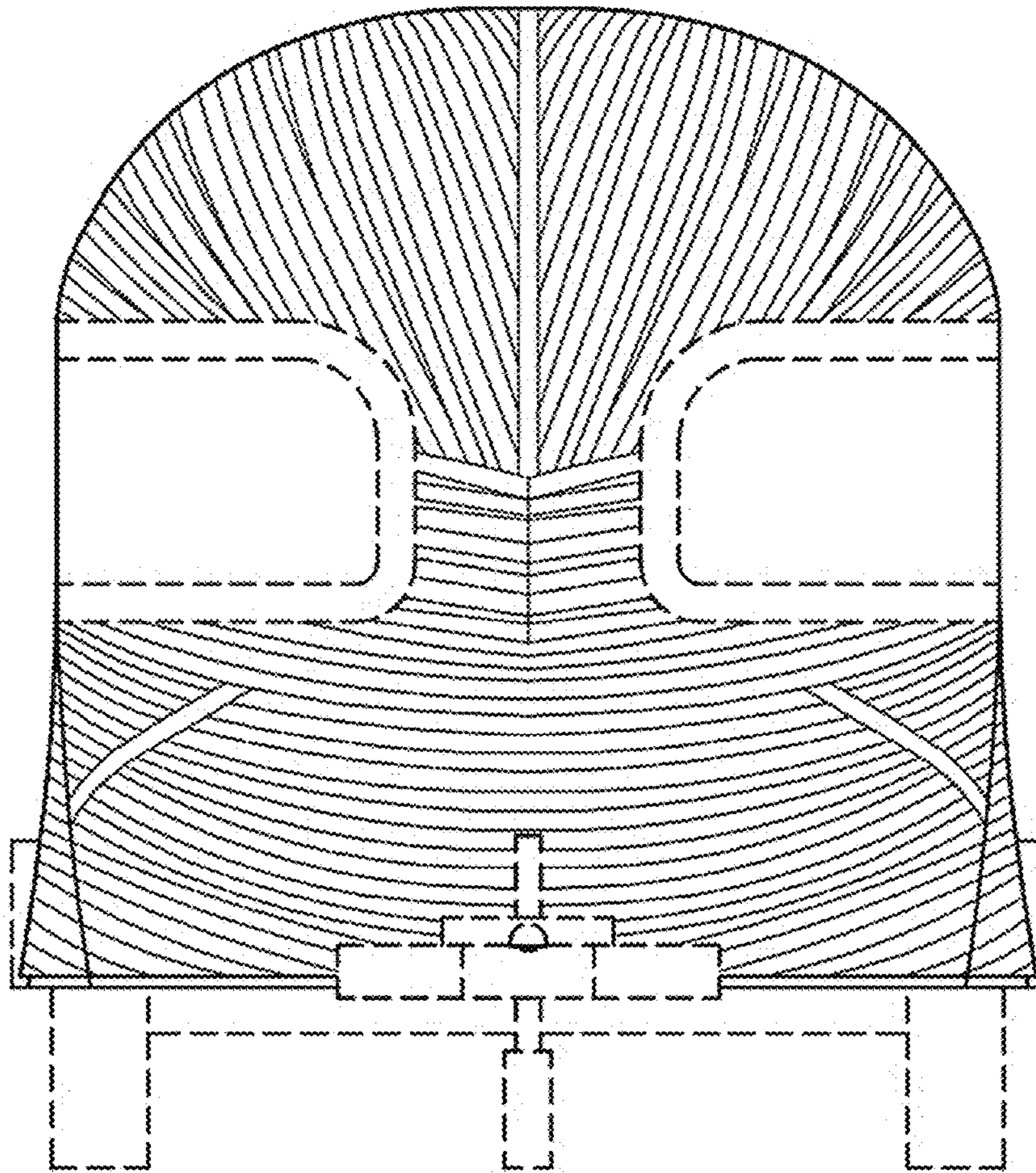
1.1



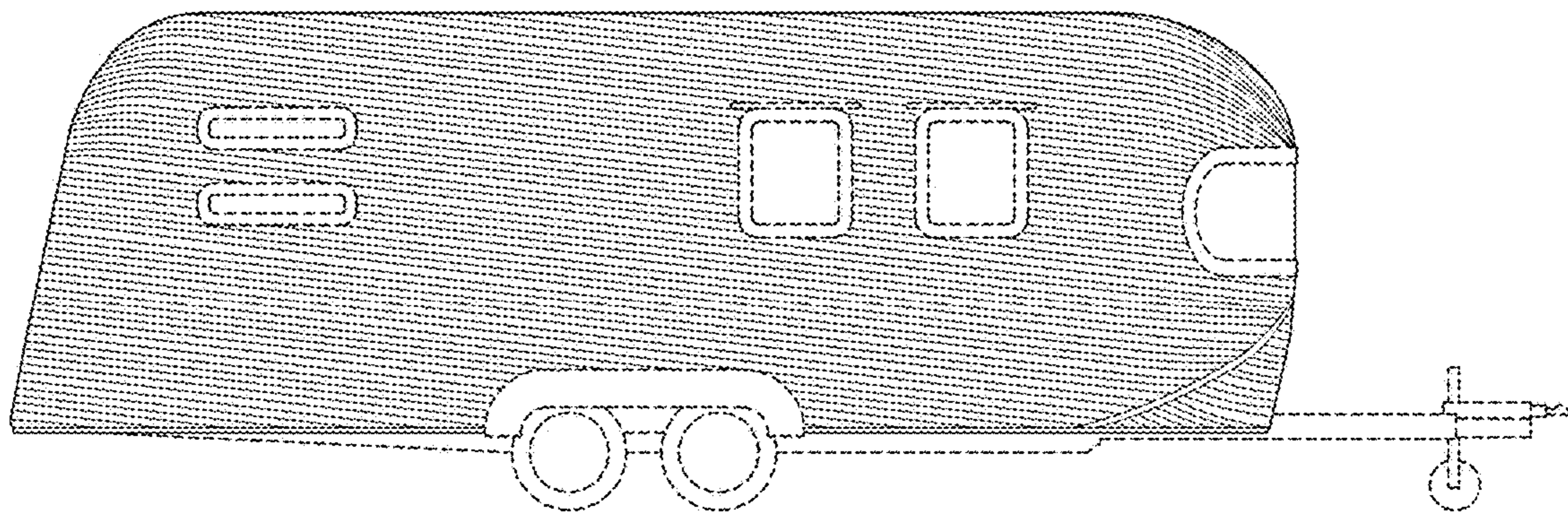
1.2



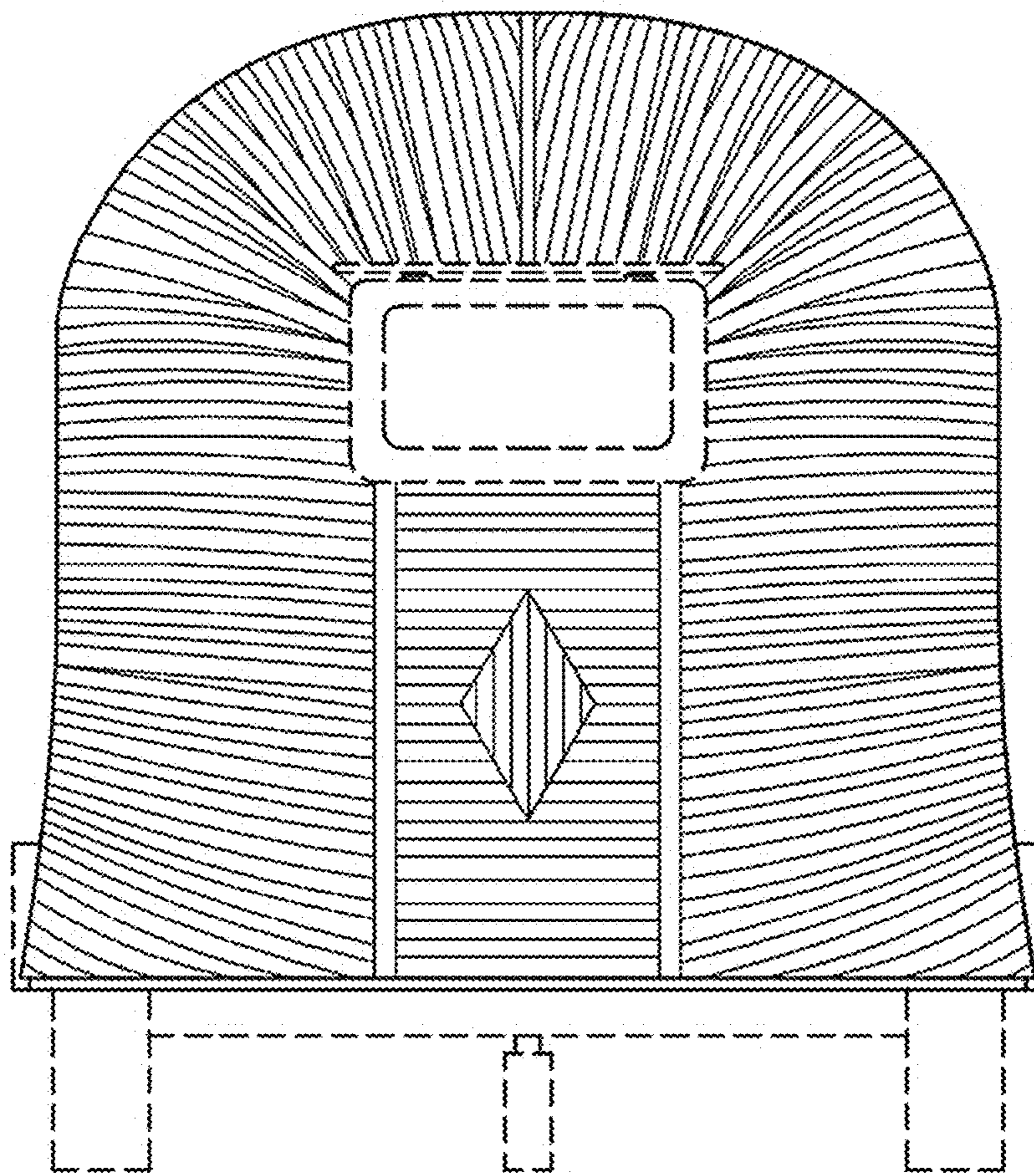
1.3



1.4



1.5



1.6

