



US00D854449S

(12) **United States Design Patent**
Horiuchi et al.

(10) **Patent No.:** **US D854,449 S**
(45) **Date of Patent:** **** Jul. 23, 2019**

(54) **AUTOMOBILE AND/OR TOY REPLICA THEREOF**

(71) Applicant: **Nissan Motor Co., Ltd.**, Yokohama, Kanagawa (JP)

(72) Inventors: **Osamu Horiuchi**, Kanagawa (JP); **Takeo Horie**, Kanagawa (JP); **Junichi Sakai**, Kanagawa (JP)

(73) Assignee: **Nissan Motor Co., Ltd.**, Yokohama (JP)

(**) Term: **15 Years**

(21) Appl. No.: **29/635,248**

(22) Filed: **Jan. 30, 2018**

(30) **Foreign Application Priority Data**

Sep. 1, 2017 (JP) 2017-019015

(51) **LOC (11) Cl.** **12-08**

(52) **U.S. Cl.**
USPC **D12/91**

(58) **Field of Classification Search**
USPC D12/86, 90-92; D21/424, 433, 434, D21/533-535; 296/181.1-181.5, 183.1
CPC B62D 25/00; B62D 25/06; B62D 33/00; B62D 35/00

See application file for complete search history.

(56) **References Cited**

U.S. PATENT DOCUMENTS

D678,820 S * 3/2013 Song D12/91
D686,532 S * 7/2013 Lamm D12/91

D718,187 S * 11/2014 Hou D12/91
D728,423 S * 5/2015 Rugar D12/91
D732,433 S * 6/2015 Aengenheyster D12/91
D735,611 S * 8/2015 Aengenheyster D12/91
D736,119 S * 8/2015 Kaoud D12/91
D741,752 S * 10/2015 Messale D12/91
D759,540 S * 6/2016 Davidson D12/91
D773,341 S * 12/2016 Liu D12/92
D805,957 S * 12/2017 Seo D12/91
D830,905 S * 10/2018 Nakajima D12/91
D833,330 S * 11/2018 Sakai D12/91

* cited by examiner

Primary Examiner — Melody N Brown

(57) **CLAIM**

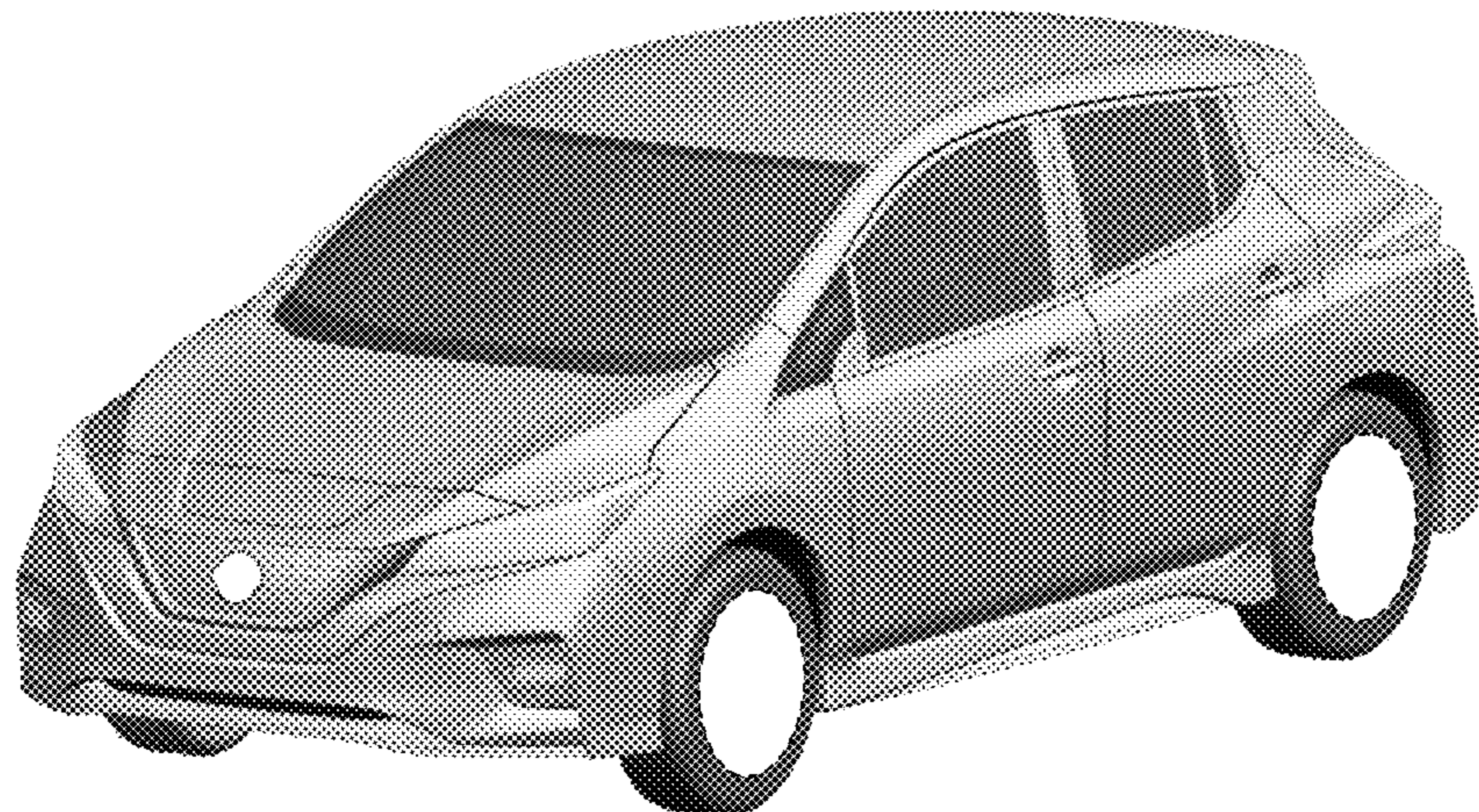
The ornamental design for an automobile and/or toy replica thereof, as shown and described.

DESCRIPTION

FIG. 1 is a front elevational view of an automobile and/or toy replica thereof in accordance with our new design;
FIG. 2 is a top plan view thereof;
FIG. 3 is a left side elevational view thereof;
FIG. 4 is a right side elevational view thereof;
FIG. 5 is a front and left side perspective view thereof;
FIG. 6 is a rear and right side perspective view thereof; and,
FIG. 7 is a rear elevational view thereof.

The hidden surfaces from the bottom, obscured by a rear bumper, the wheels, and inside the wheel wells, but visible in the figures form no part of the claimed design. The broken line showing on the automobile and/or toy replica thereof is for the purpose of illustrating environmental structure and forms no part of the claimed design.

1 Claim, 7 Drawing Sheets



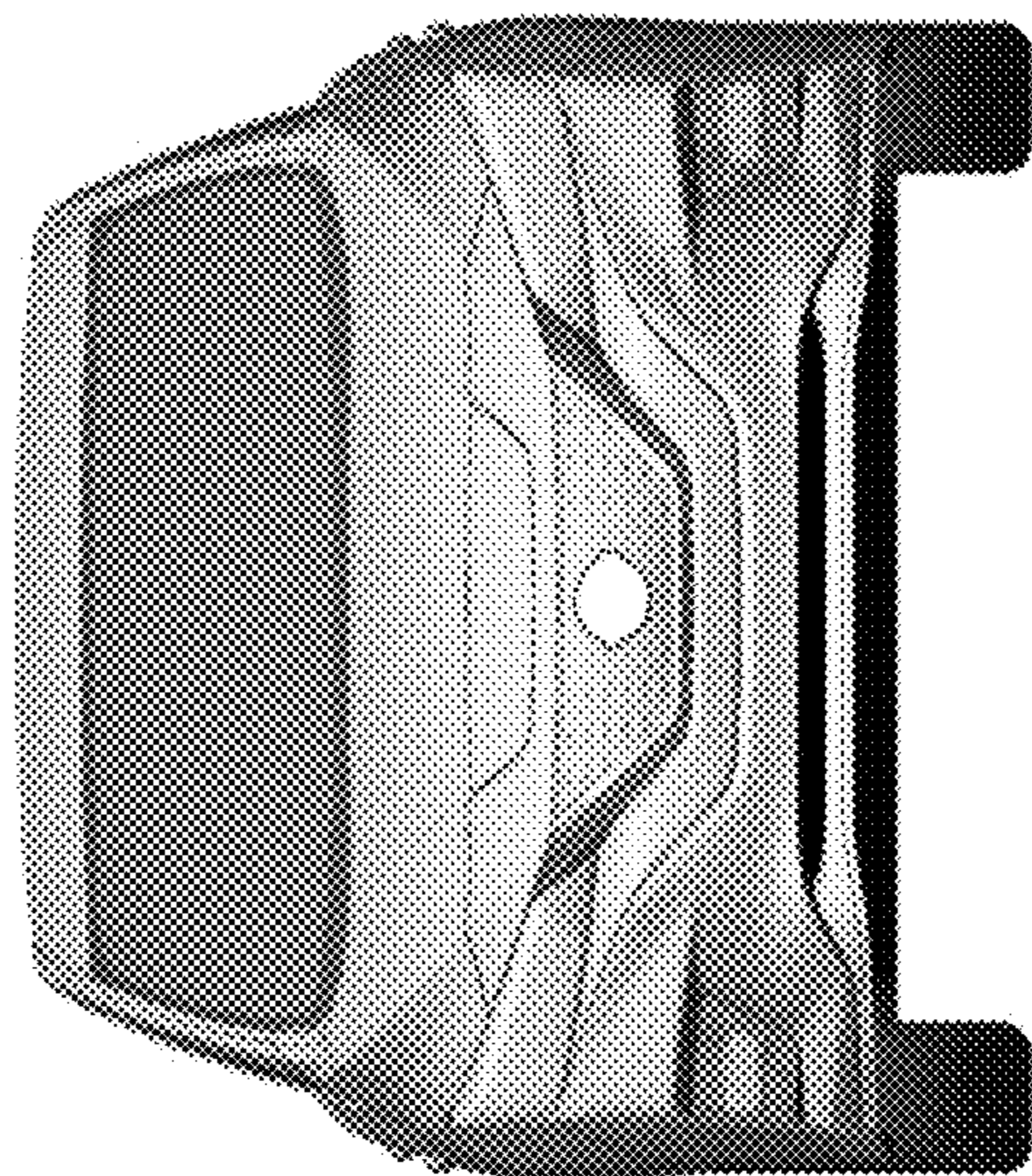


FIG. 1

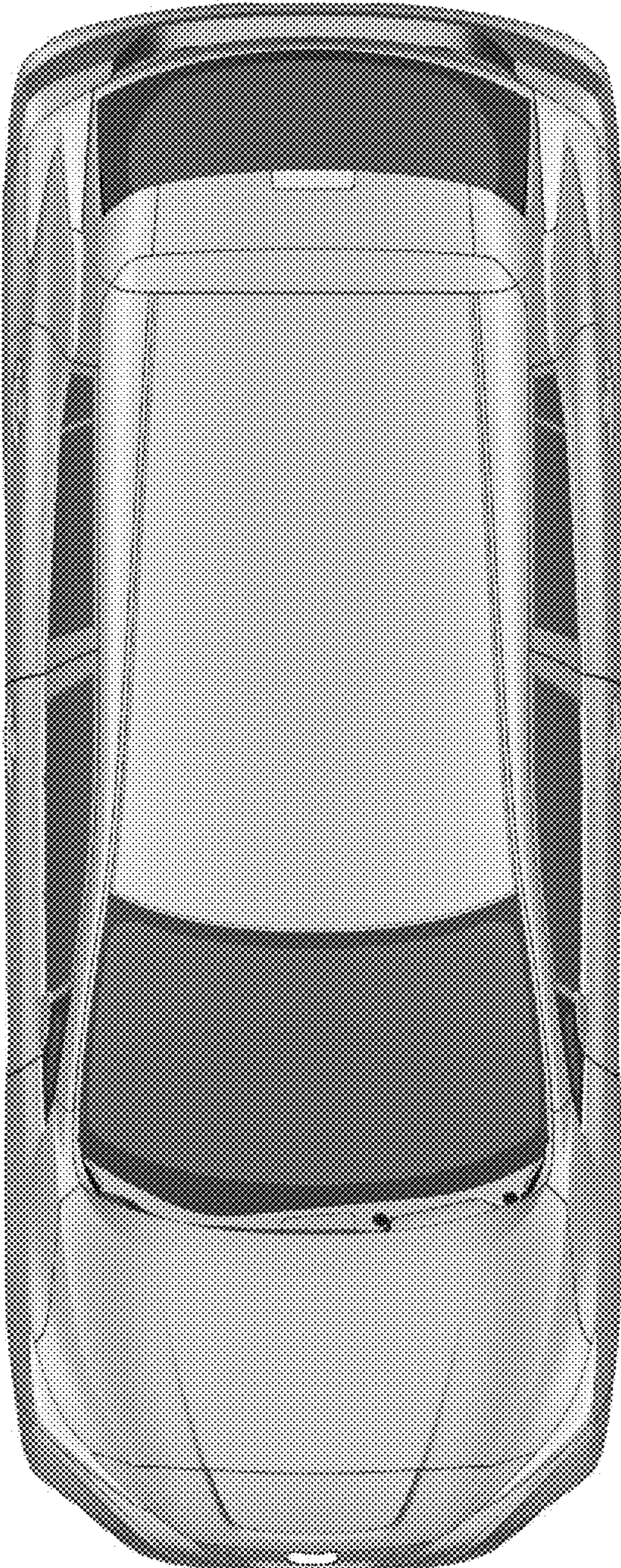


FIG. 2

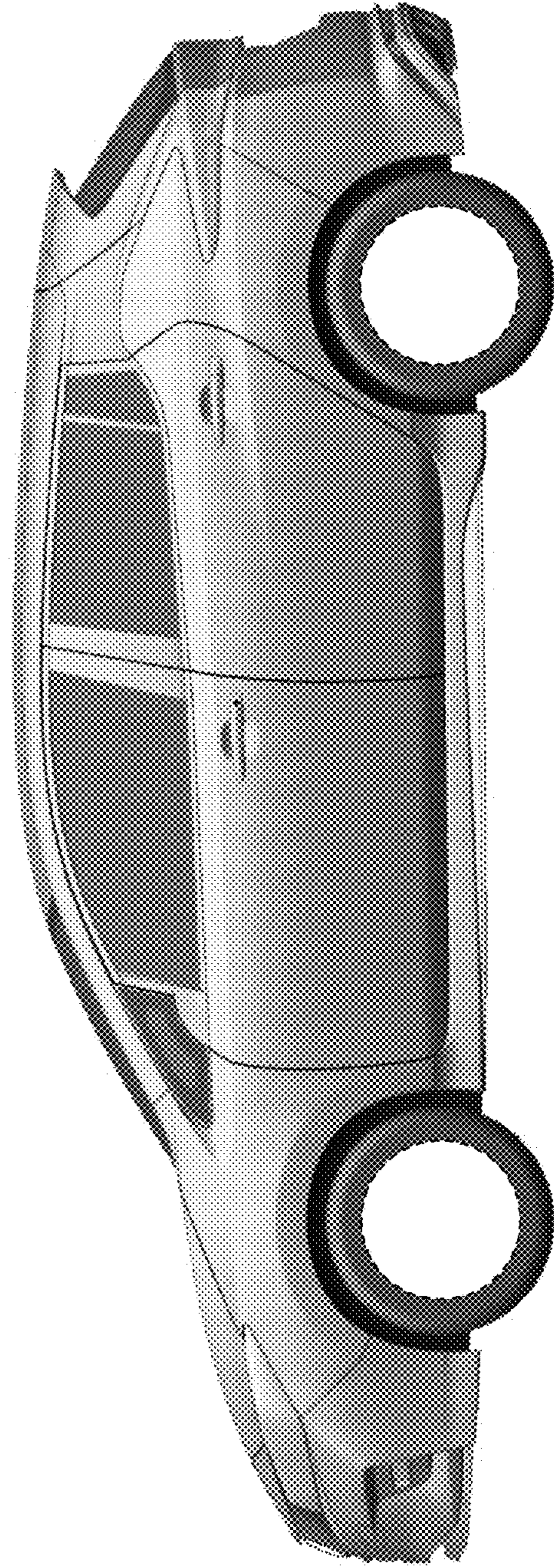


FIG. 3

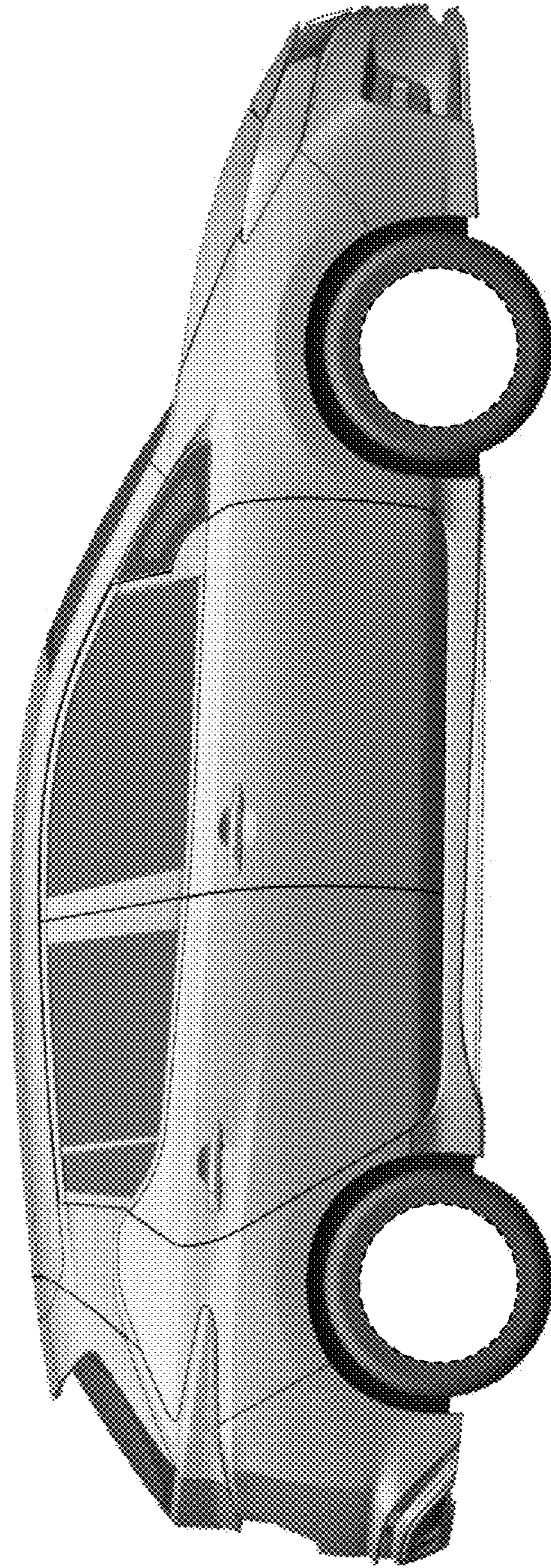


FIG. 4

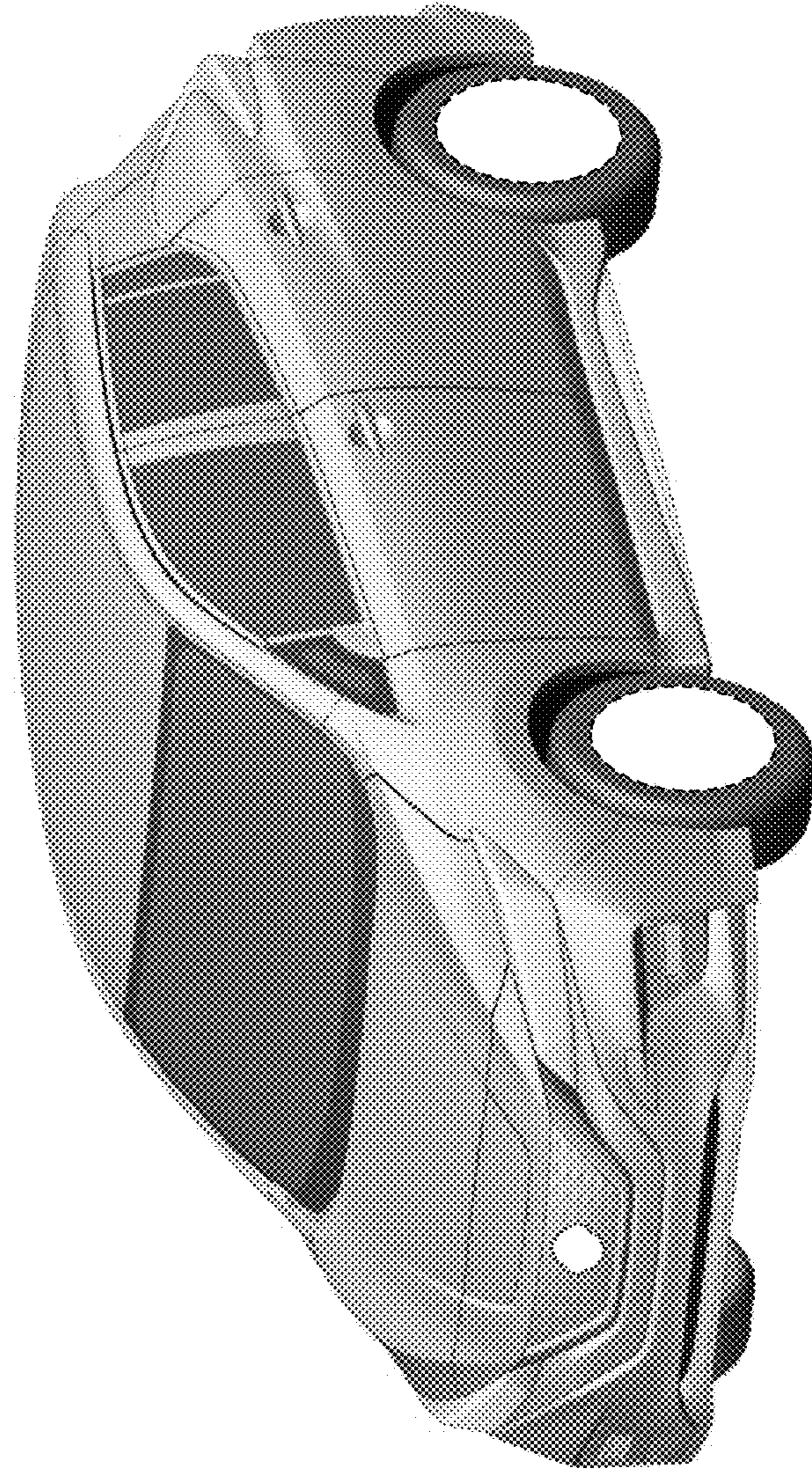


FIG. 5



FIG. 6

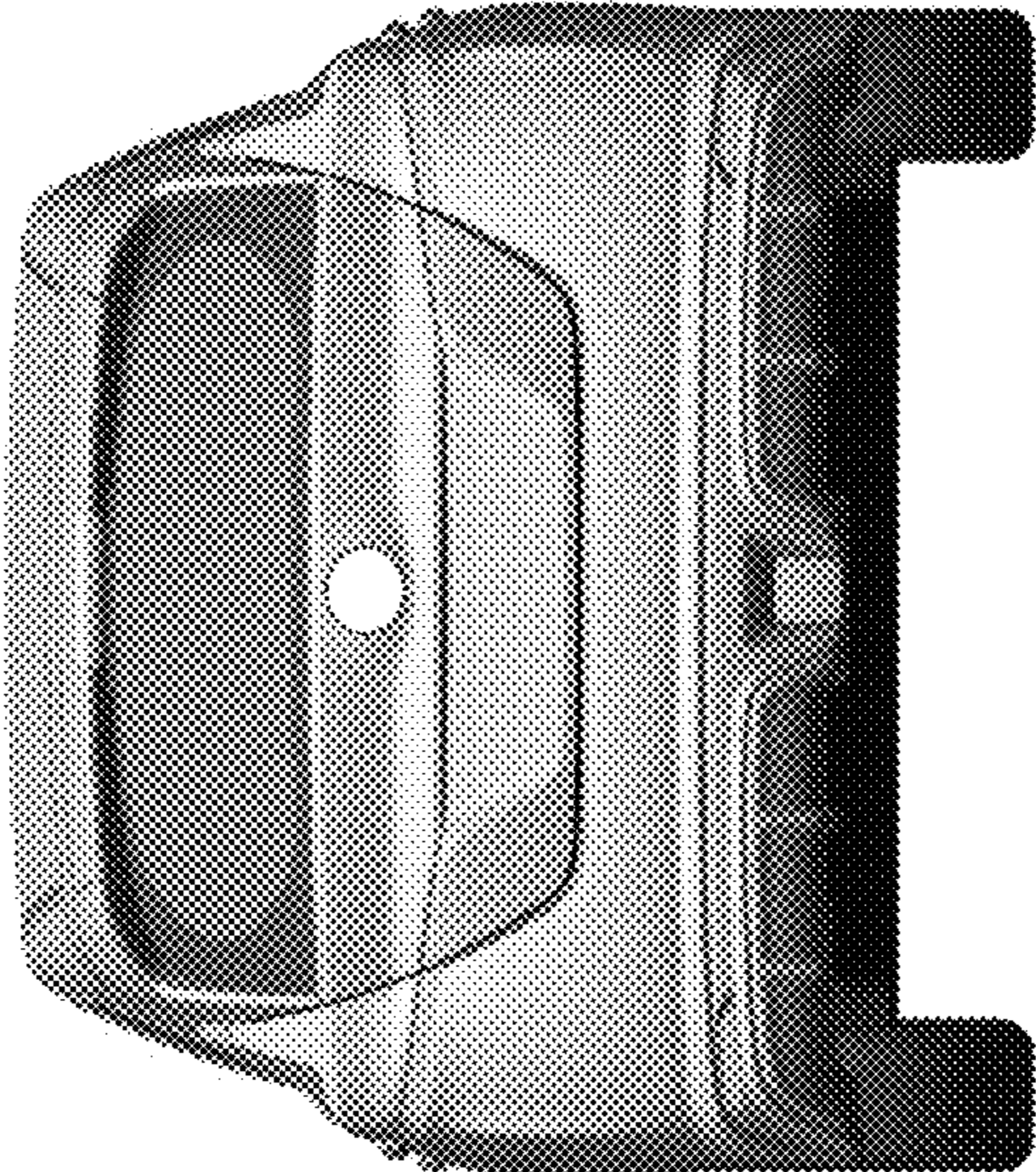


FIG. 7