



US00D854448S

(12) **United States Design Patent** (10) **Patent No.:** **US D854,448 S**  
**Chen et al.** (45) **Date of Patent:** **\*\* Jul. 23, 2019**

- (54) **AERIAL VEHICLE**
- (71) Applicant: **SZ DJI Technology Co., Ltd.**,  
Shenzhen (CN)
- (72) Inventors: **Shaojie Chen**, Shenzhen (CN); **Yumian Deng**, Shenzhen (CN)
- (73) Assignee: **SZ DJI Technology Co., Ltd.**,  
Shenzhen (CN)
- (\*\*) Term: **15 Years**
- (21) Appl. No.: **29/639,921**
- (22) Filed: **Mar. 9, 2018**

- D741,779 S 10/2015 Hsiao et al.
  - 9,296,477 B1 3/2016 Coburn
  - D768,539 S 10/2016 Lee
  - D768,789 S 10/2016 Fargeau et al.
  - D772,991 S 11/2016 Caubel et al.
  - D777,263 S 1/2017 Lavagen et al.
- (Continued)

**FOREIGN PATENT DOCUMENTS**

- CN 302814372 S 5/2014
  - CN 303142773 S 3/2015
- (Continued)

**OTHER PUBLICATIONS**

“MAVIC,” posted at DJI.com, site visited Apr. 11, 2017, <<http://www.dji.com/mavic>>.

(Continued)

**Related U.S. Application Data**

- (63) Continuation of application No. 29/555,483, filed on Feb. 22, 2016, now Pat. No. Des. 814,970.
- (51) **LOC (11) Cl.** ..... **12-07**
- (52) **U.S. Cl.**  
USPC ..... **D12/16.1**
- (58) **Field of Classification Search**  
USPC ..... D12/16.1, 319, 323, 326–330, 331, 335,  
D12/343–345; D21/436, 438, 440–443,  
D21/446–451, 453  
CPC ..... B64C 39/024; B64C 39/00; B64C 27/32;  
B64C 27/12; B64C 27/08; B64C  
2201/024; B64C 2201/00; B64C  
2201/021; B64C 2201/12; B64C  
2201/123; B64C 2201/146; B64C 1/00;  
B64C 1/062; B64C 3/10; B64C 11/16;  
B64C 2203/00; A63H 27/00; A63H 27/02  
See application file for complete search history.

*Primary Examiner* — Barbara Fox  
*Assistant Examiner* — Messina L Smith  
 (74) *Attorney, Agent, or Firm* — Sterne, Kessler,  
 Goldstein & Fox P.L.L.C.

(57) **CLAIM**

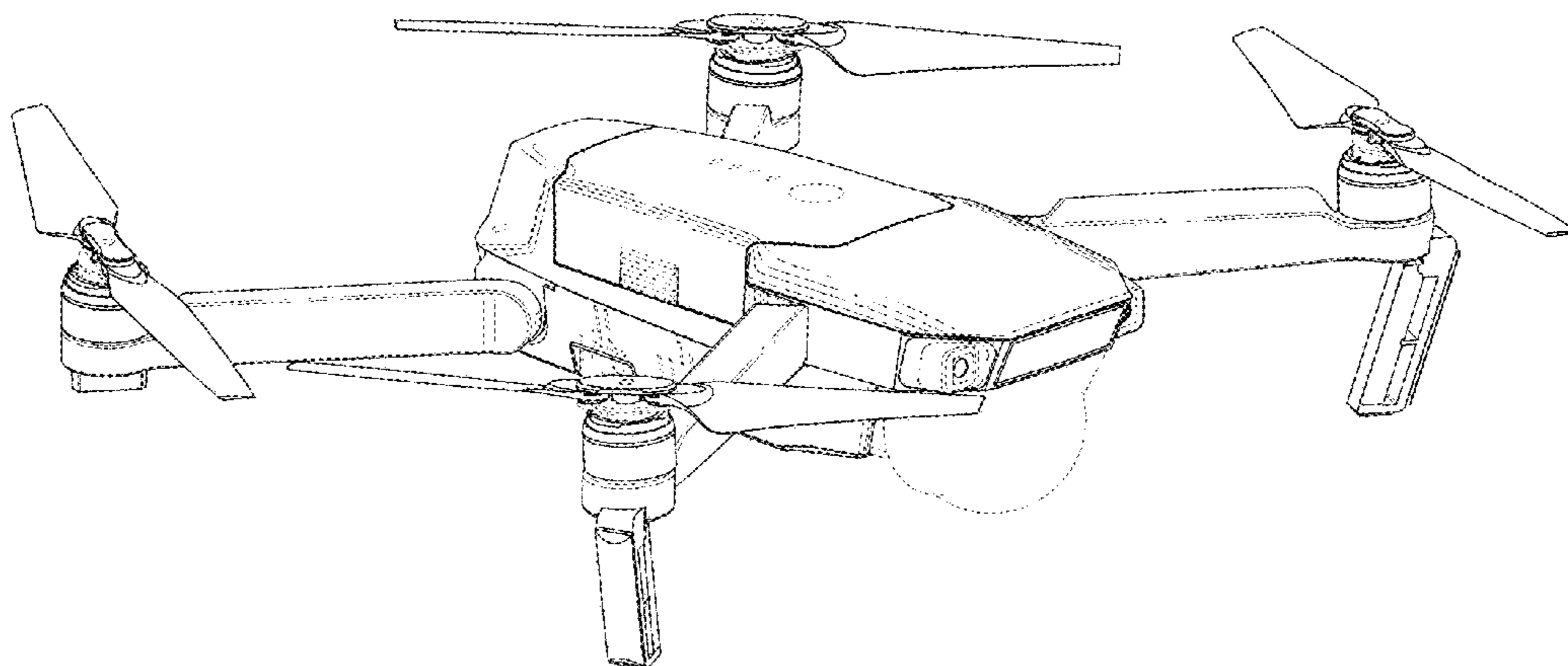
The ornamental design for an aerial vehicle, as shown and described.

**DESCRIPTION**

FIG. 1 is a top front perspective view of an aerial vehicle showing the claimed design;  
 FIG. 2 is a front view thereof;  
 FIG. 3 is a rear view thereof;  
 FIG. 4 is a left side view thereof;  
 FIG. 5 is a right side view thereof;  
 FIG. 6 is a top view thereof; and,  
 FIG. 7 is a bottom view thereof.  
 The broken lines in the figures show portions of the aerial vehicle that form no part of the claimed design.

- (56) **References Cited**  
U.S. PATENT DOCUMENTS  
D695,674 S 12/2013 Nolan et al.  
D710,452 S 8/2014 Barajas et al.  
D710,454 S 8/2014 Barajas et al.

**1 Claim, 7 Drawing Sheets**



(56)

References Cited

U.S. PATENT DOCUMENTS

D782,365 S 3/2017 Hung  
 9,663,236 B1\* 5/2017 Shiosaki ..... B64D 27/26  
 D803,328 S \* 11/2017 Lee ..... D21/441  
 D805,431 S \* 12/2017 Li ..... D12/16.1  
 D808,301 S \* 1/2018 Goldy ..... D12/16.1  
 9,896,195 B2\* 2/2018 Ou ..... H02G 3/04  
 D813,724 S \* 3/2018 Hu ..... D12/16.1  
 D814,973 S \* 4/2018 Li ..... D12/16.1  
 D816,582 S \* 5/2018 Liang ..... D12/328  
 D818,872 S \* 5/2018 Ho ..... D12/16.1  
 D818,874 S \* 5/2018 Tian ..... D12/16.1  
 D819,749 S \* 6/2018 Caubel ..... D21/449  
 10,037,028 B2\* 7/2018 Loianno ..... G08G 5/003  
 D825,379 S \* 8/2018 Gury ..... D12/16.1  
 D825,381 S \* 8/2018 Meugnier ..... D12/16.1  
 D827,723 S \* 9/2018 Barajas ..... D21/442  
 D827,724 S \* 9/2018 Barajas ..... D21/453  
 D828,222 S \* 9/2018 Yu ..... D12/16.1  
 2010/0224721 A1\* 9/2010 Wood ..... B64C 29/0025  
 244/12.3  
 2015/0336670 A1\* 11/2015 Zhang ..... B64C 1/00  
 244/119  
 2016/0062364 A1\* 3/2016 Foinet ..... A63H 27/14  
 701/2  
 2016/0122017 A1\* 5/2016 Welker ..... B64C 39/024  
 244/17.23  
 2016/0236777 A1\* 8/2016 Tang ..... B64C 39/024  
 2016/0313732 A1\* 10/2016 Seydoux ..... G02B 27/0172  
 2016/0313742 A1\* 10/2016 Wang ..... G05D 1/0669  
 2017/0001721 A1\* 1/2017 Saika ..... B64C 27/48  
 2017/0078552 A1\* 3/2017 Pochon ..... H04N 5/2351  
 2017/0183074 A1\* 6/2017 Hutson ..... B64C 1/061

2018/0016022 A1\* 1/2018 Ljung ..... B64C 39/024  
 2018/0032087 A1\* 2/2018 Line ..... B64C 39/024  
 2018/0050799 A1\* 2/2018 Erhart ..... A63H 27/12  
 2018/0093781 A1\* 4/2018 Mallinson ..... B64F 1/04  
 2018/0095468 A1\* 4/2018 Yang ..... B64C 39/024  
 2018/0111685 A1\* 4/2018 Tian ..... B64C 39/024  
 2018/0129913 A1\* 5/2018 Vauchier ..... B64C 39/024  
 2018/0143636 A1\* 5/2018 Pinto ..... B64C 39/024  
 2018/0149947 A1\* 5/2018 Kim ..... B64C 25/10  
 2018/0183496 A1\* 6/2018 Gasnier ..... B64D 47/08  
 2018/0208301 A1\* 7/2018 Ye ..... B64C 27/32

FOREIGN PATENT DOCUMENTS

CN 303189591 S 4/2015  
 CN 303197220 S 5/2015  
 CN 303274617 S 7/2015  
 CN 303403033 S 10/2015  
 CN 303478219 S 12/2015  
 CN 303562865 S 1/2016  
 CN 303562867 S 1/2016  
 CN 205971800 U 2/2017  
 CN 205998124 U 3/2017  
 JP D1538530 11/2015  
 WO WO 2010-036419 A2 4/2010

OTHER PUBLICATIONS

DJI Mavic Pro review, posted on CNET.com, site visited Apr. 11, 2017, <<https://www.cnet.com/products/dji-mavic-pro/review/>>.  
 “The DJI Mavic Is Here!,” posted at Topfivedrones.com, site visited Apr. 11, 2017, <<http://topfivedrones.com/the-dji-mavic-is-here/>>.

\* cited by examiner

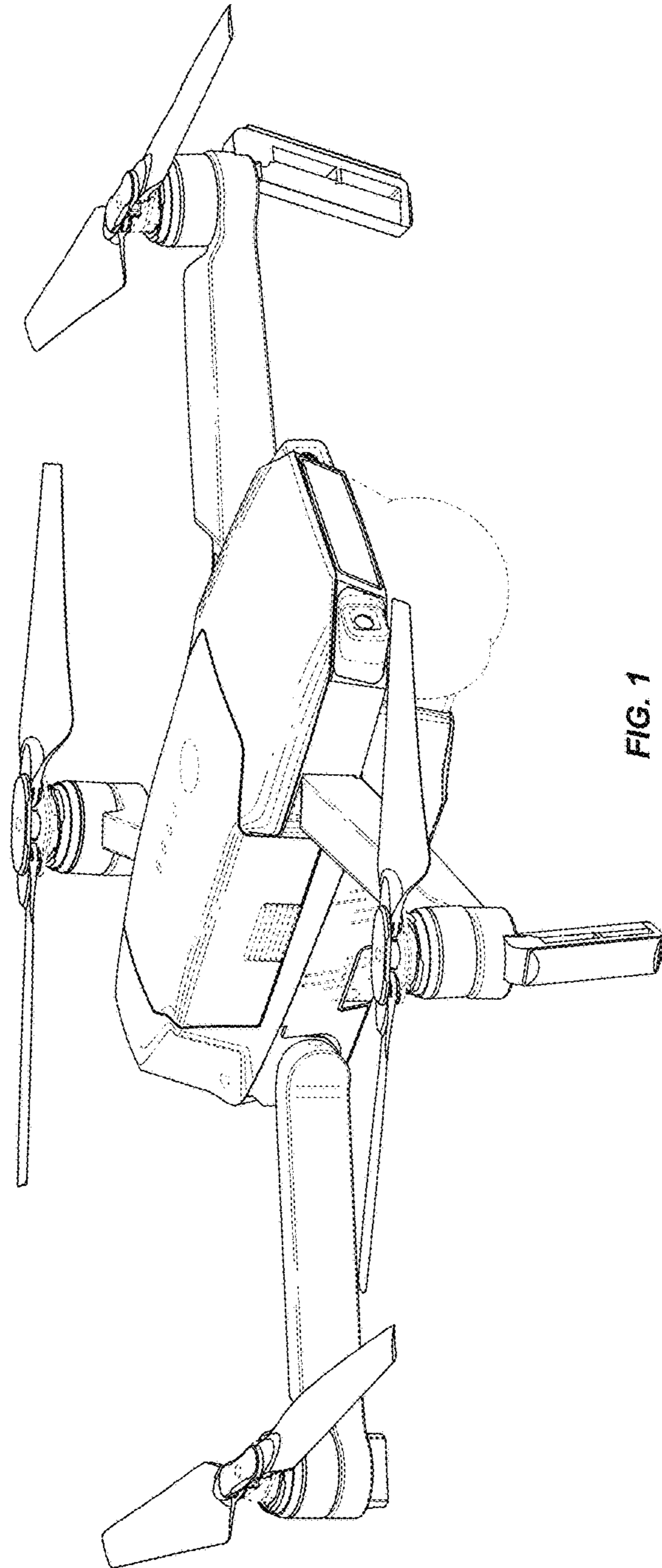


FIG. 1

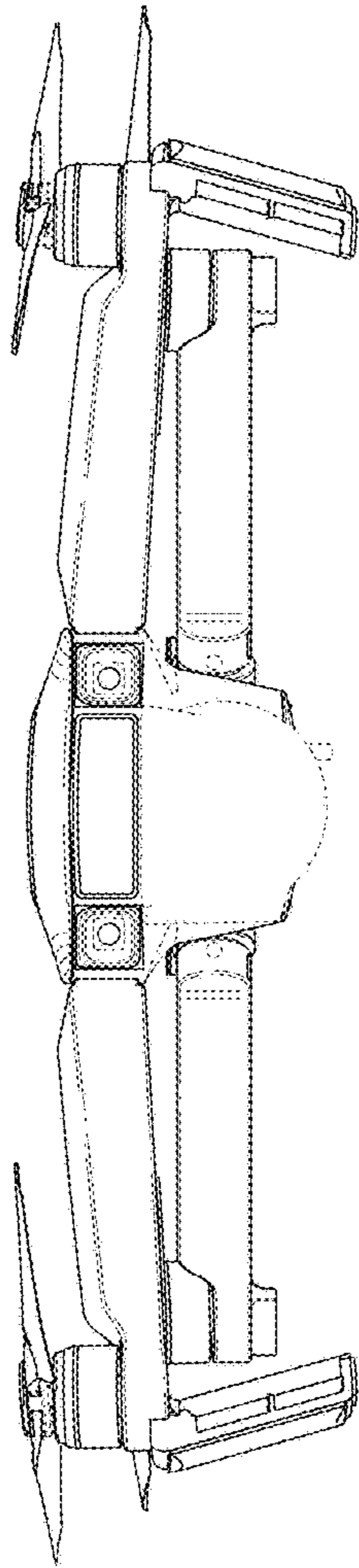


FIG. 2

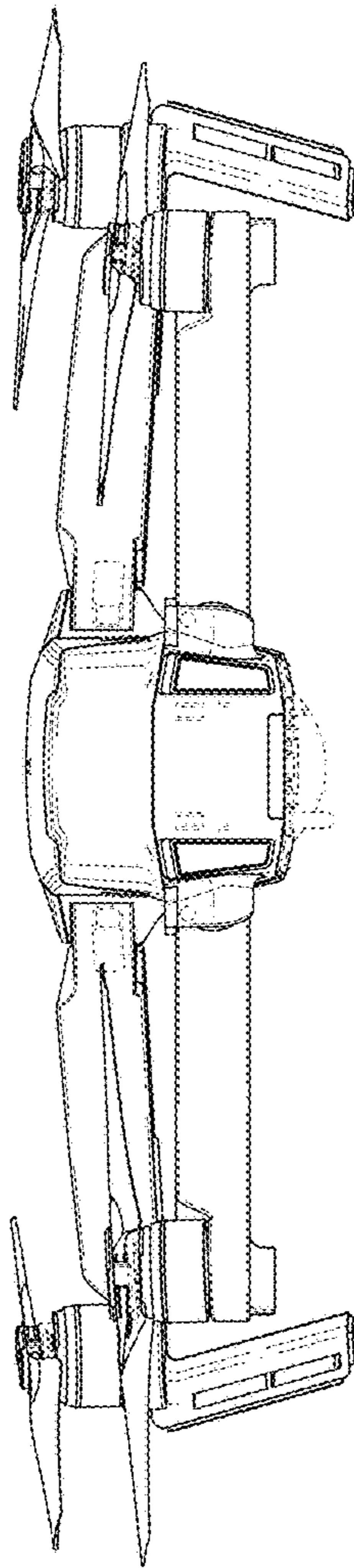


FIG. 3

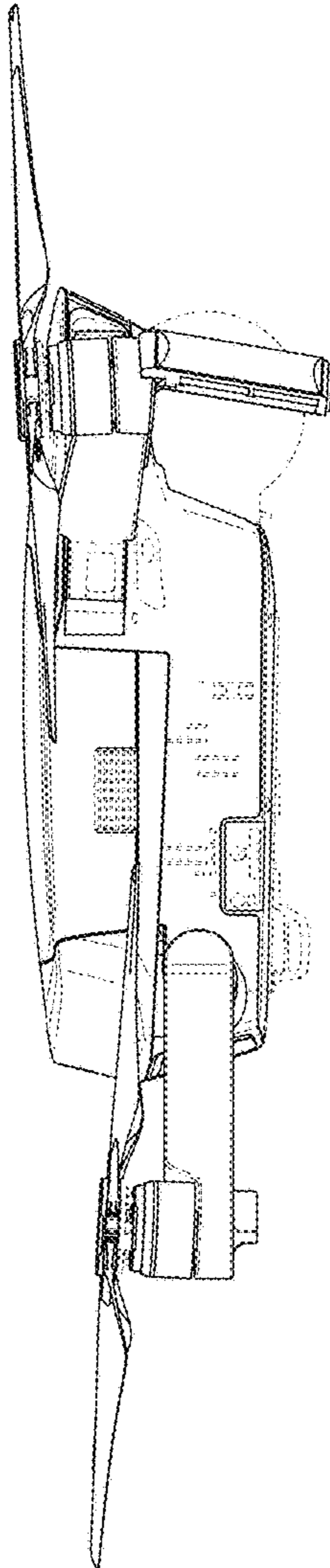


FIG. 4

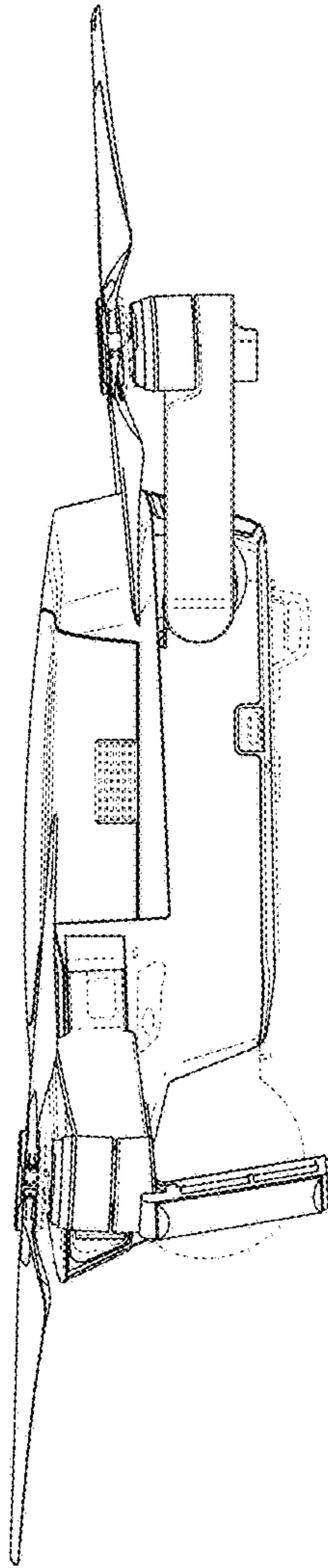


FIG. 5

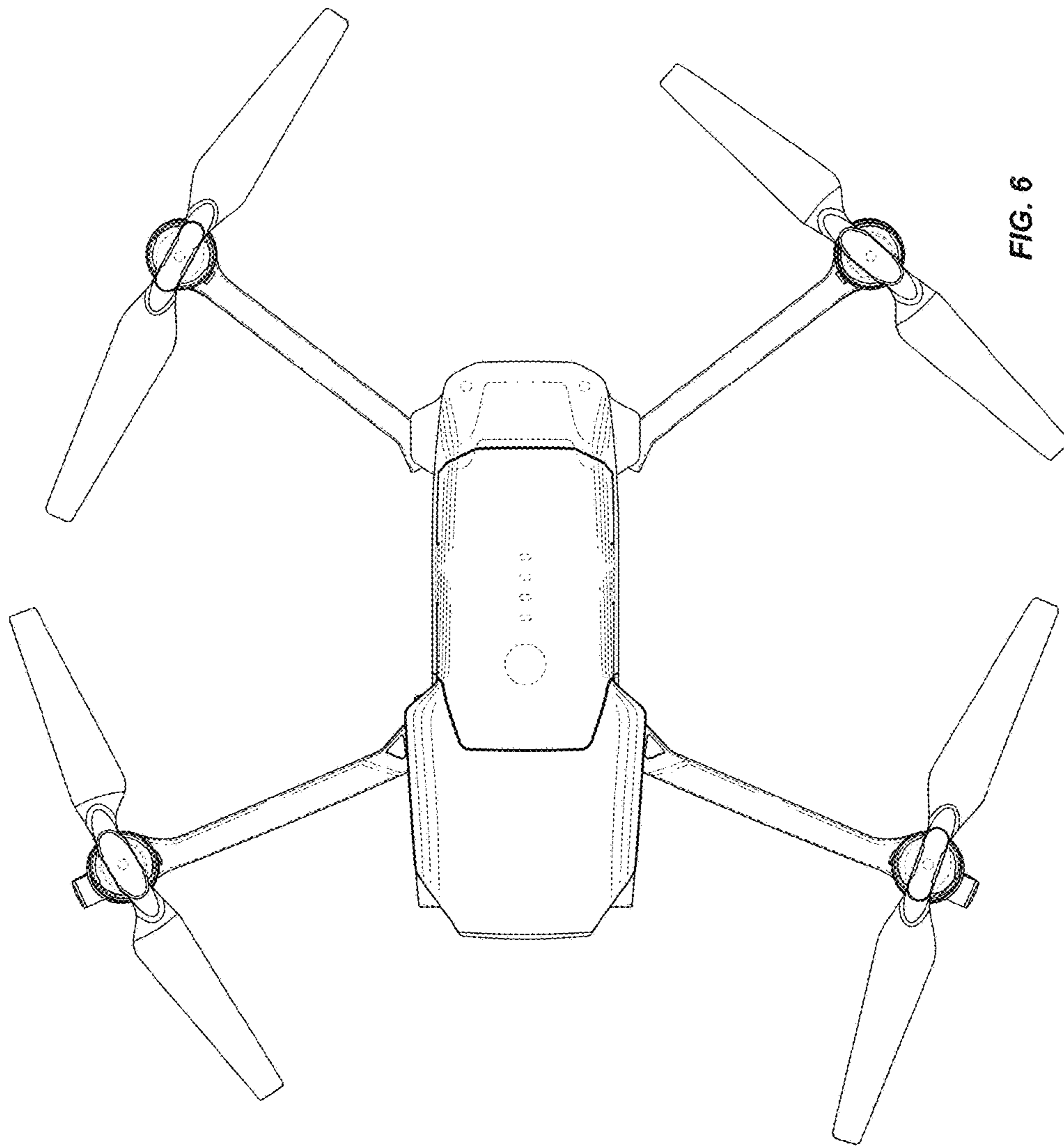


FIG. 6



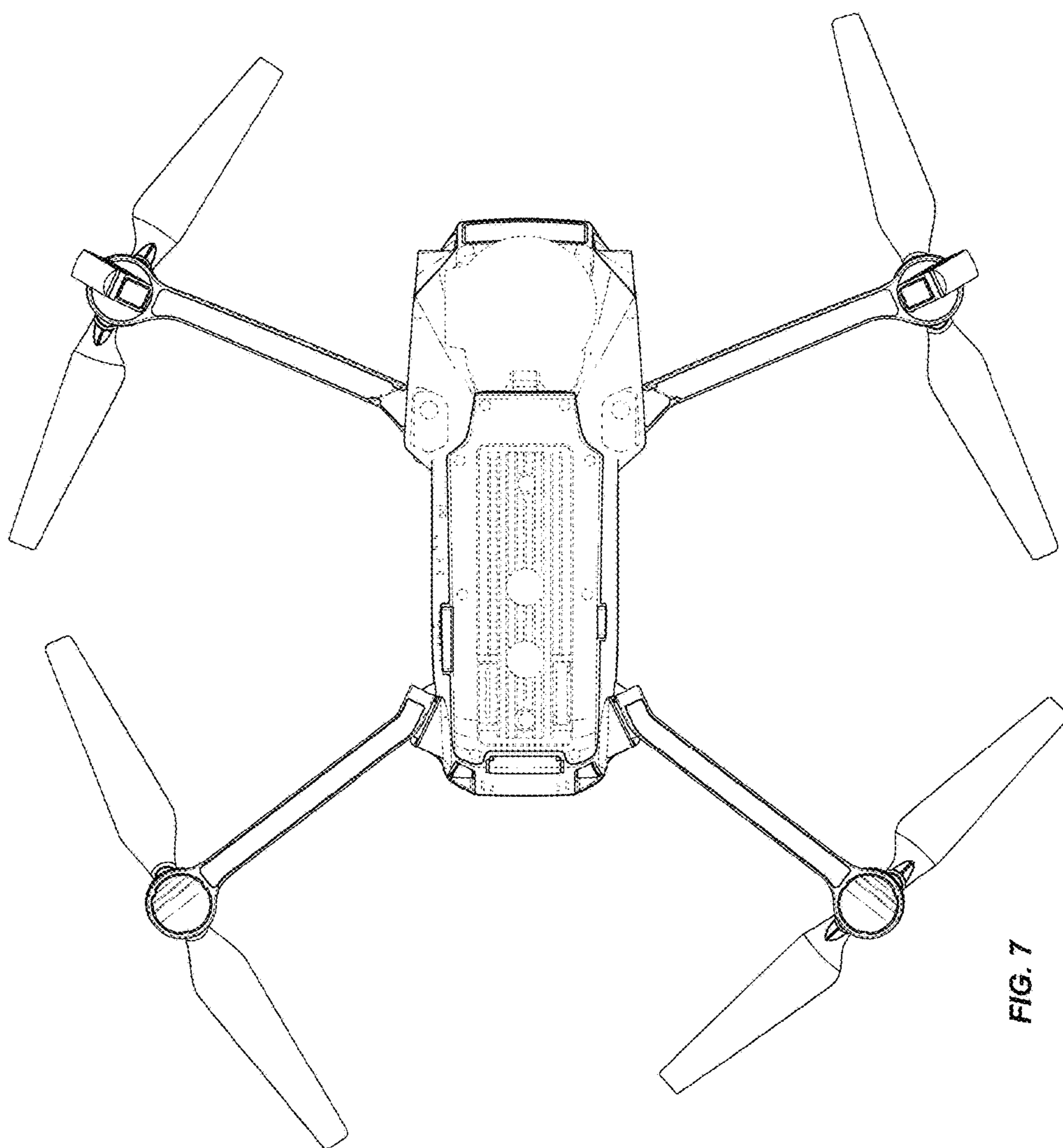


FIG. 7