



US00D854445S

(12) **United States Design Patent**
Thuma et al.

(10) **Patent No.:** **US D854,445 S**
(45) **Date of Patent:** **** Jul. 23, 2019**

- (54) **PLANTER**
- (71) Applicant: **Suncast Technologies, LLC**, Palm Beach Gardens, FL (US)
- (72) Inventors: **Michael Thuma**, La Grange, IL (US); **Torrence Anderson**, Overland Park, KS (US); **Robert G. Kopp**, Elburn, IL (US); **Michael R. Vogler**, Oswego, IL (US)
- (73) Assignee: **Suncast Technologies, LLC**, Palm Beach Gardens, FL (US)
- (**) Term: **15 Years**
- (21) Appl. No.: **29/634,419**
- (22) Filed: **Jan. 22, 2018**
- (51) **LOC (11) Cl.** **11-02**
- (52) **U.S. Cl.**
USPC **D11/152**
- (58) **Field of Classification Search**
USPC D3/304, 313; D6/405–408, 556–558, D6/675, 675.1, 691; D9/428, 549; D11/143–156, 164
CPC . A01G 9/00; A01G 9/02; A01G 9/021; A01G 9/022; A01G 9/029; A01G 9/0293; A01G 9/042; A47G 7/00; A47G 7/02; A47G 7/06; A47G 7/08
See application file for complete search history.

- (56) **References Cited**
U.S. PATENT DOCUMENTS
129,451 A * 7/1872 Baldwin A01G 27/02 47/79
2,051,940 A * 8/1936 Chichester-Miles A47J 47/18 206/524.6
3,079,037 A * 2/1963 Schechter B65D 43/021 215/393

- 3,696,987 A * 10/1972 Schuff B65D 1/265 229/400
- D324,005 S * 2/1992 Grosfillex D11/152
- 5,105,599 A * 4/1992 Weder A01G 5/04 53/397
- D340,674 S * 10/1993 Carlson D11/152
- D474,110 S * 5/2003 Sweeney D9/425
- D479,484 S * 9/2003 Harbaugh D11/151
- D479,694 S * 9/2003 Harbaugh D11/151
- D479,810 S * 9/2003 Harbaugh D11/151
- D489,643 S * 5/2004 Harbaugh D11/151
- D490,017 S * 5/2004 Harbaugh D11/152
- D503,359 S * 3/2005 Harbaugh D11/152
- D504,352 S * 4/2005 Harbaugh D11/151
- D504,353 S * 4/2005 Harbaugh D11/152
- D510,889 S * 10/2005 Harbaugh D11/151
- D524,691 S * 7/2006 Caruso D11/144
- D564,393 S * 3/2008 Schmidt D11/152
- D564,394 S * 3/2008 Schmidt D11/152

(Continued)

Primary Examiner — Elizabeth A. Albert
(74) *Attorney, Agent, or Firm* — A. Keith Campbell

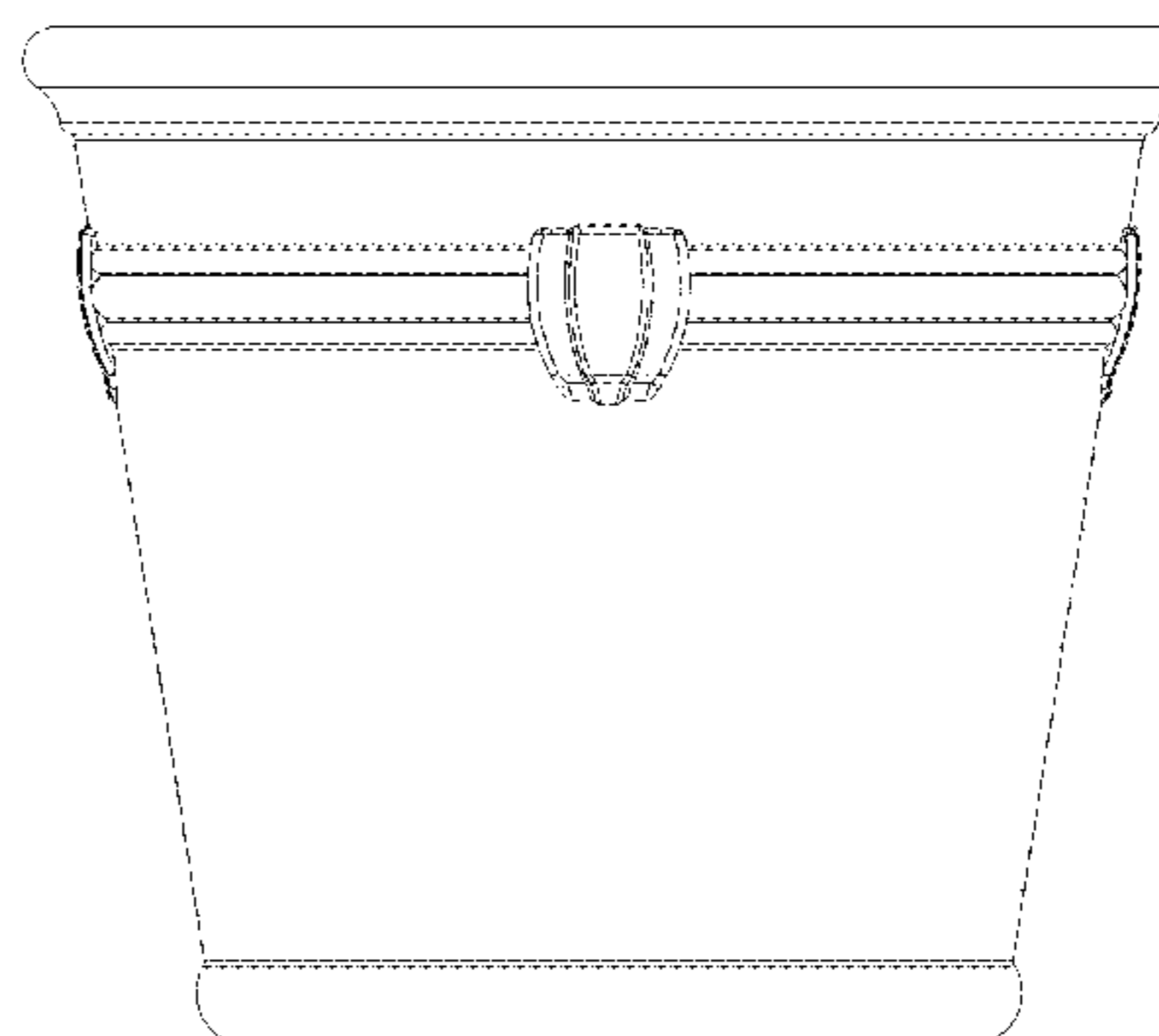
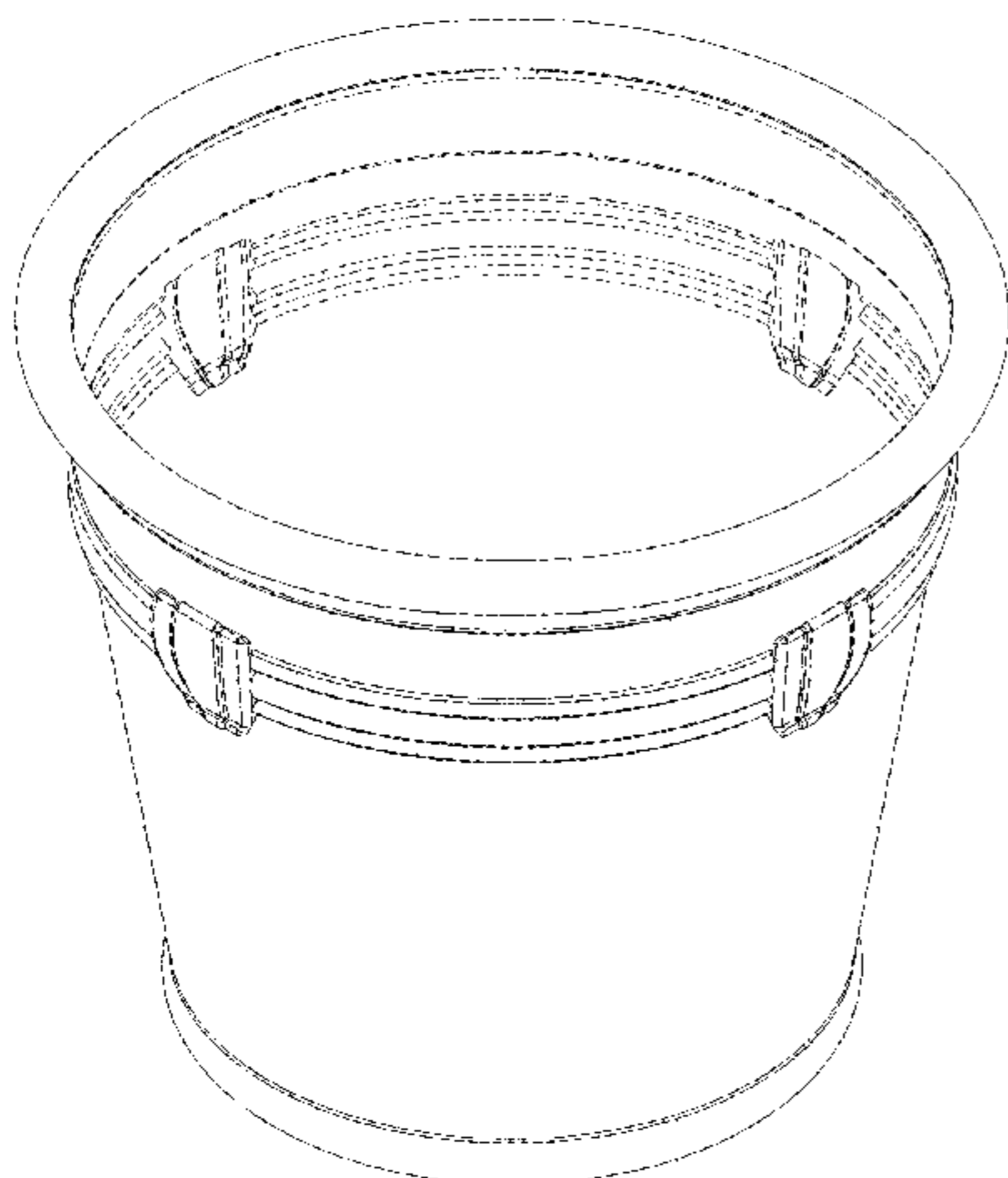
(57) **CLAIM**

The ornamental design for a planter, as shown and described.

DESCRIPTION

FIG. 1 is a top front right isometric view of the planter of the present invention;
 FIG. 2 is a front view thereof;
 FIG. 3 is a rear view thereof;
 FIG. 4 is a left side view thereof;
 FIG. 5 is a right side view thereof;
 FIG. 6 is a bottom view thereof;
 FIG. 7 is a top view thereof;
 FIG. 8 is a bottom left rear isometric view thereof;
 FIG. 9 is a bottom right front isometric view thereof; and,
 FIG. 10 is a top rear left isometric view thereof.
 The portions of the planter that are illustrated in broken lines form no part of the claim for the planter.

1 Claim, 10 Drawing Sheets



(56)

References Cited

U.S. PATENT DOCUMENTS

D723,418 S * 3/2015 Thuma D11/143
D782,361 S * 3/2017 Williams D11/143
D805,423 S * 12/2017 Thuma D11/152

* cited by examiner

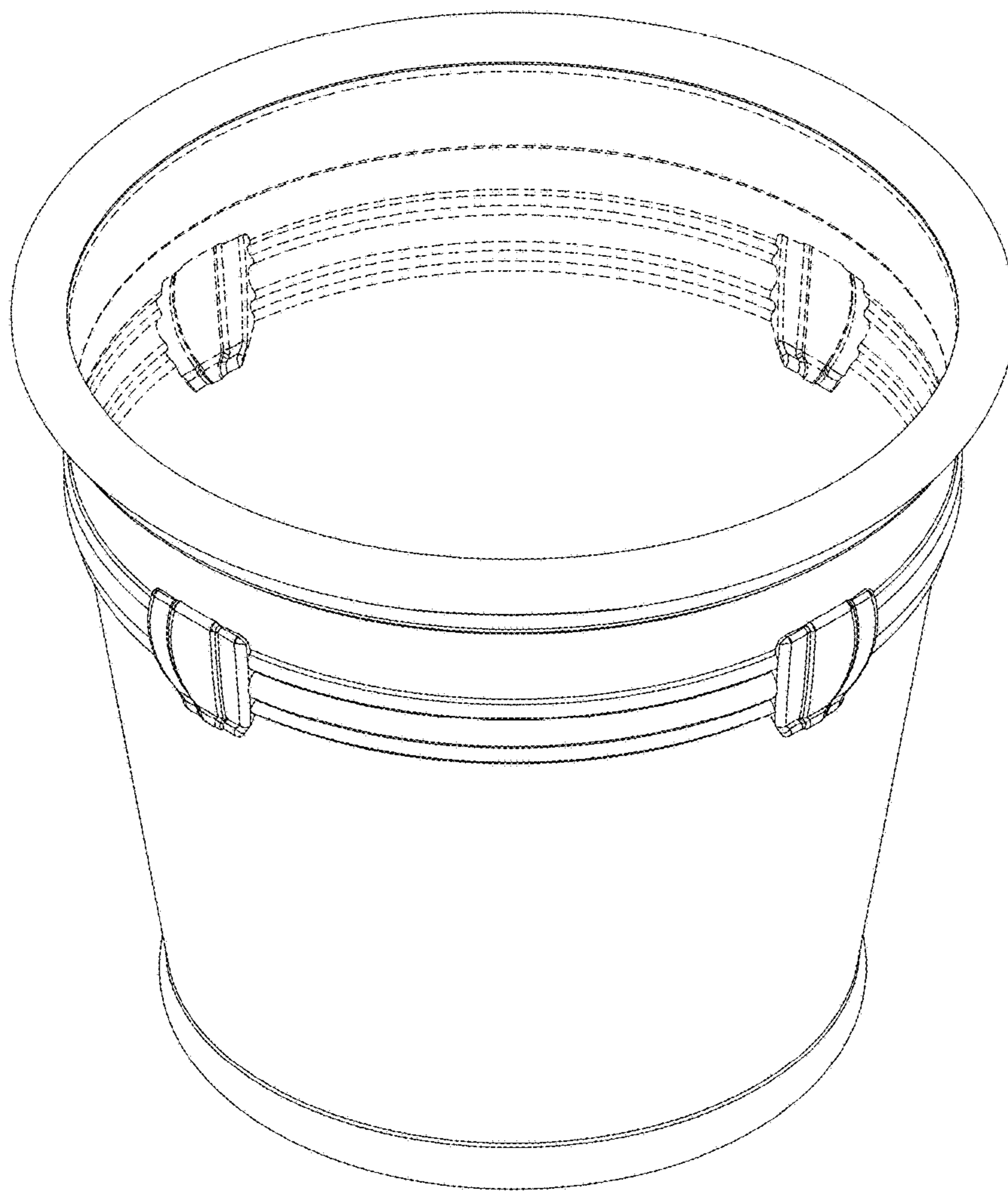


Fig. 1

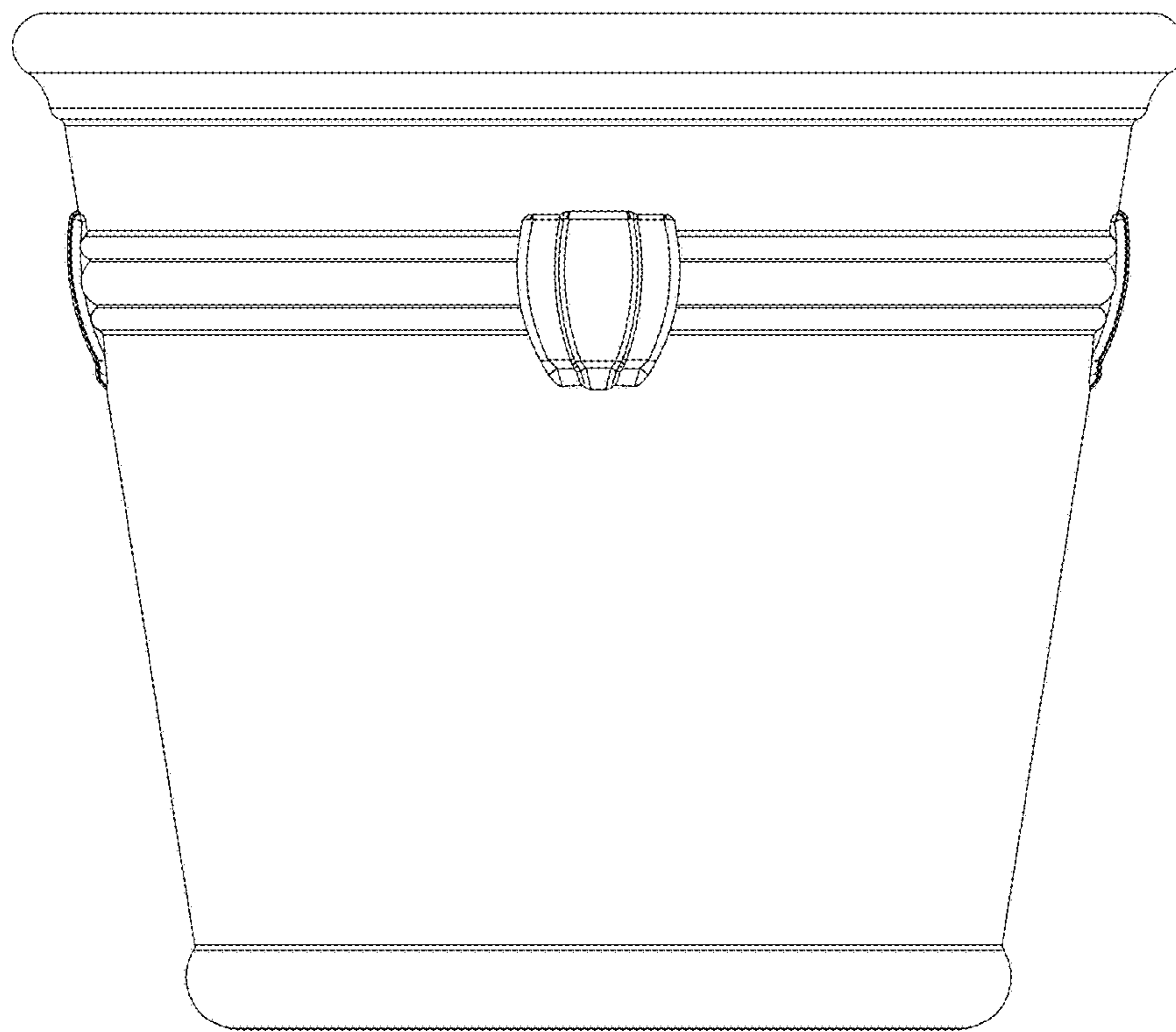


Fig. 2

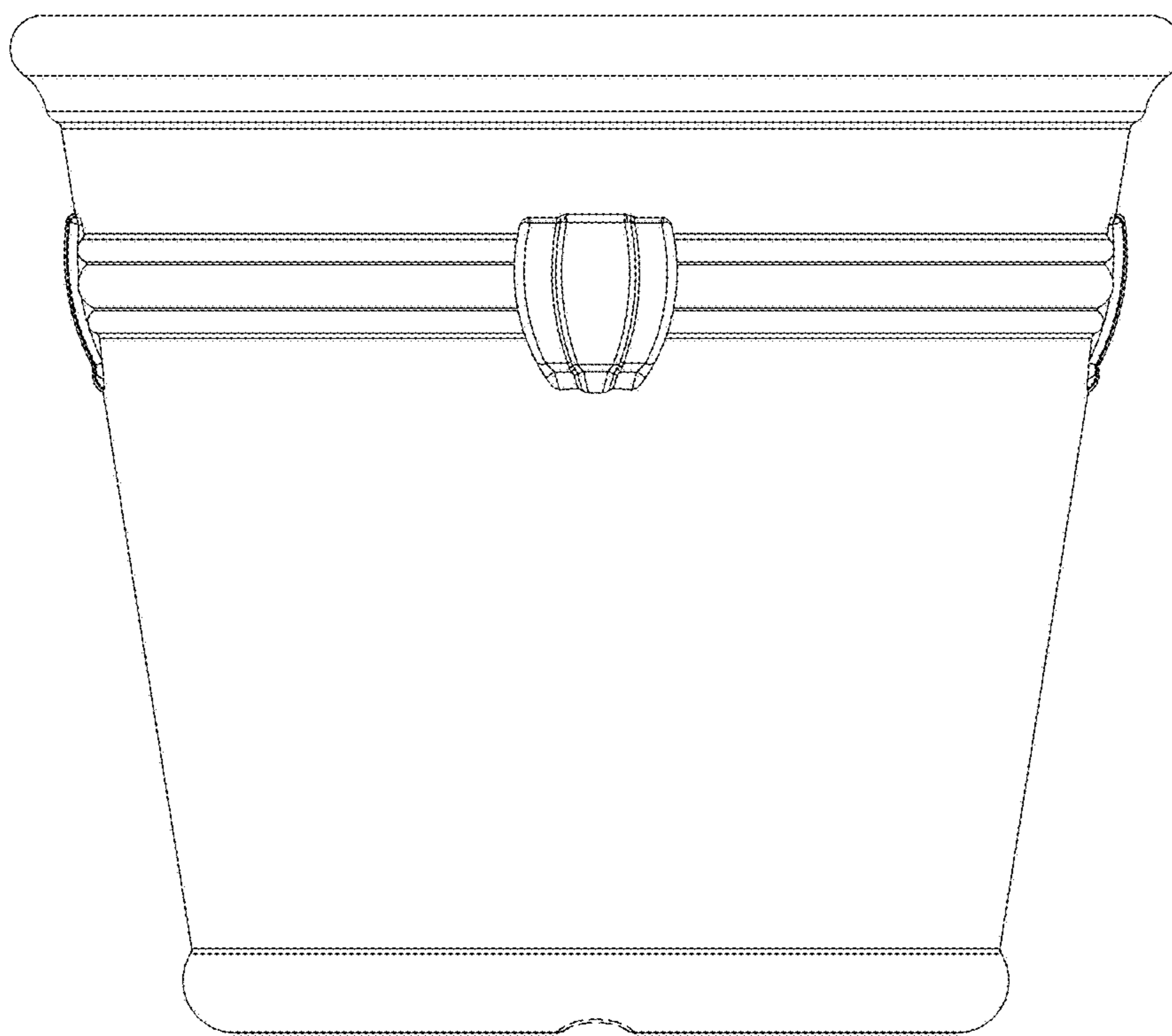


Fig. 3

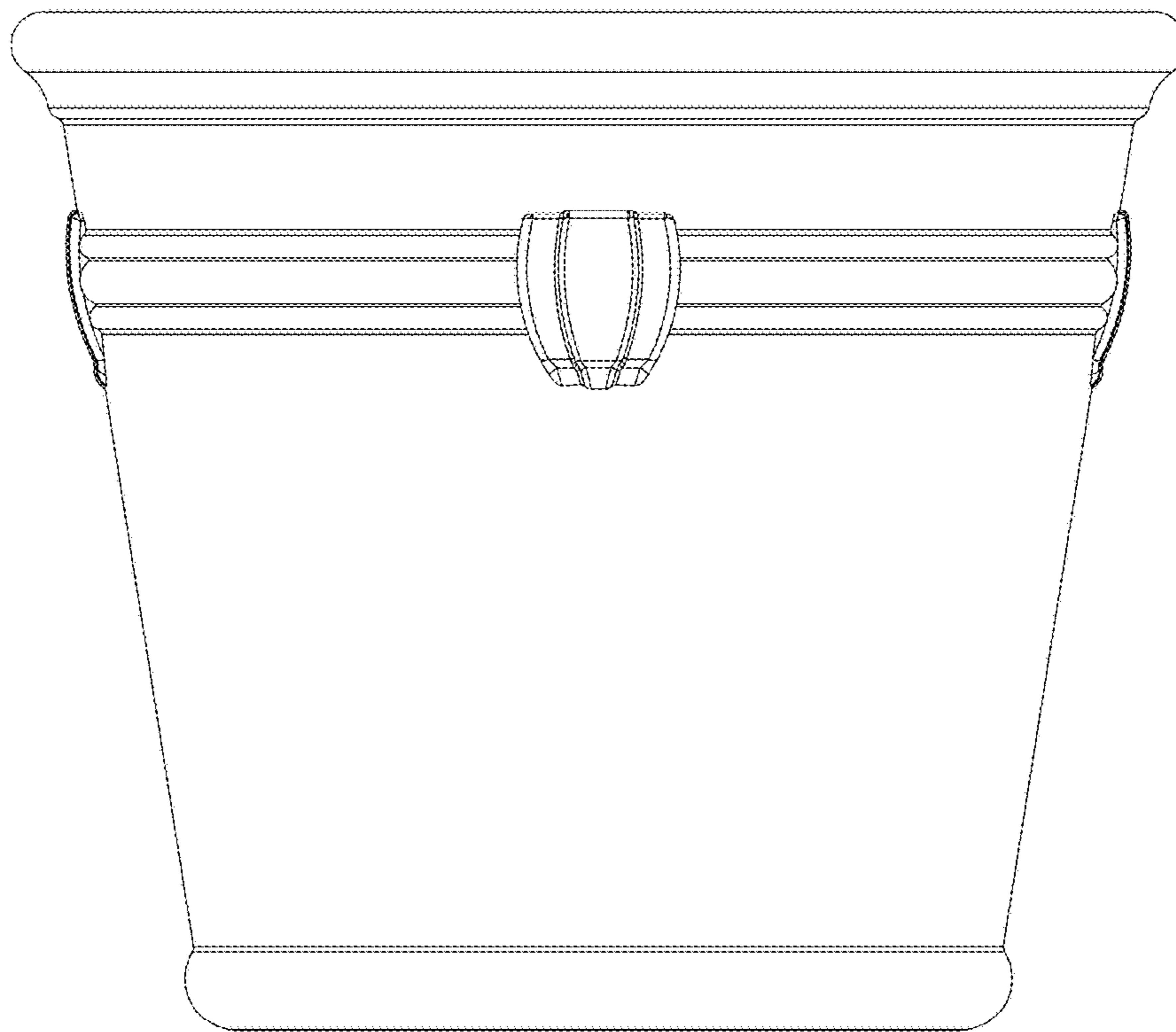


Fig. 4

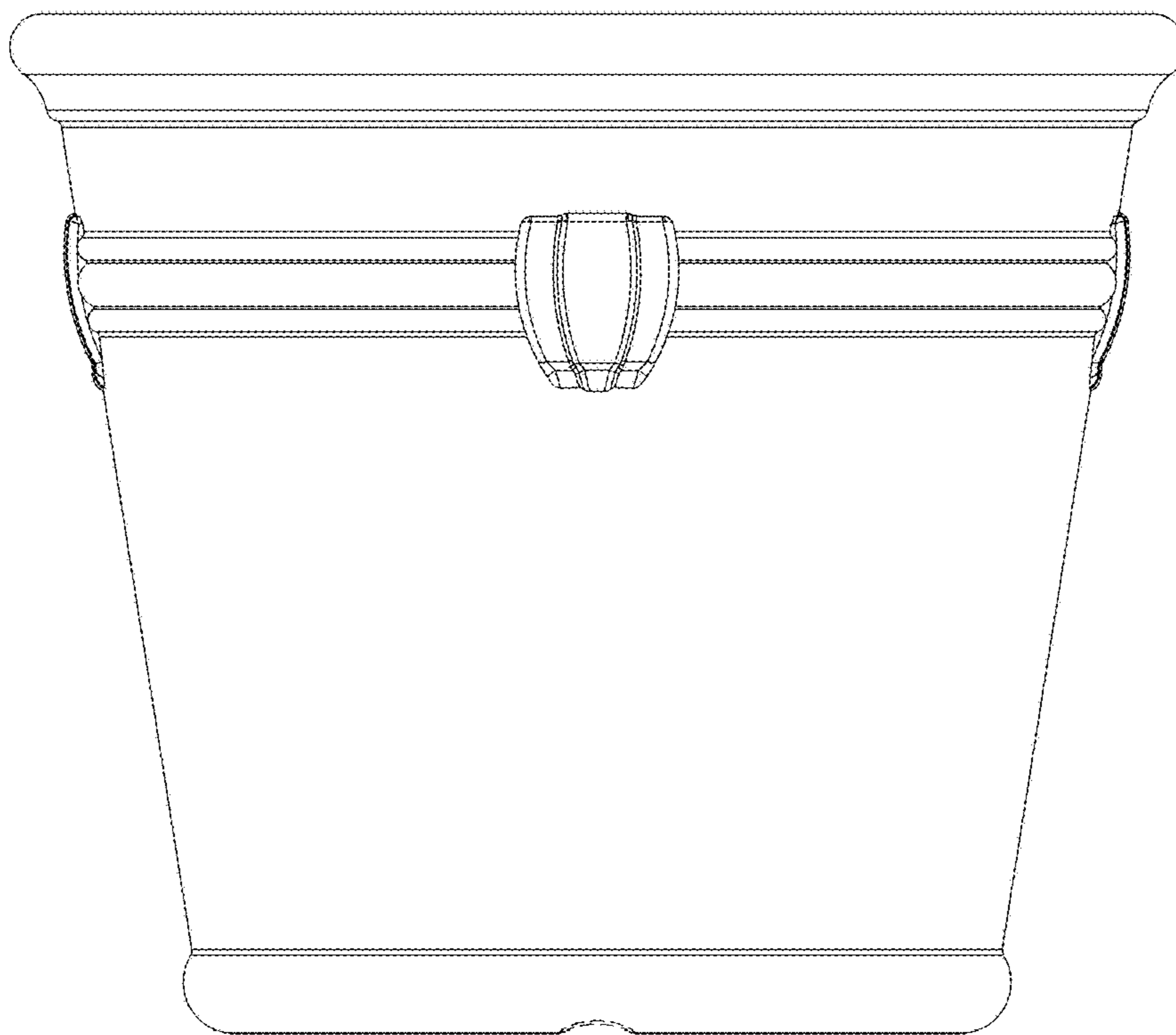


Fig. 5

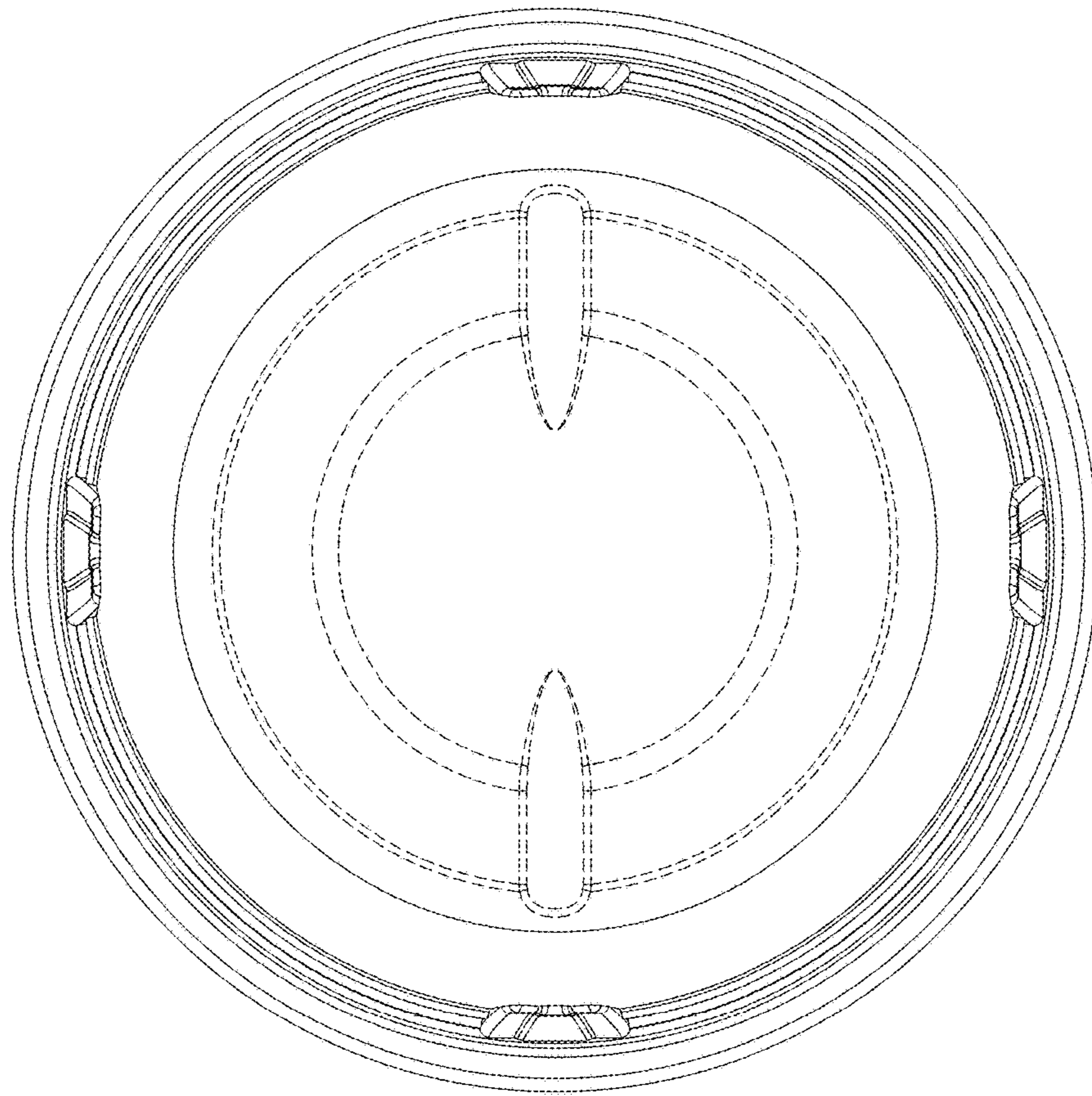


Fig. 6

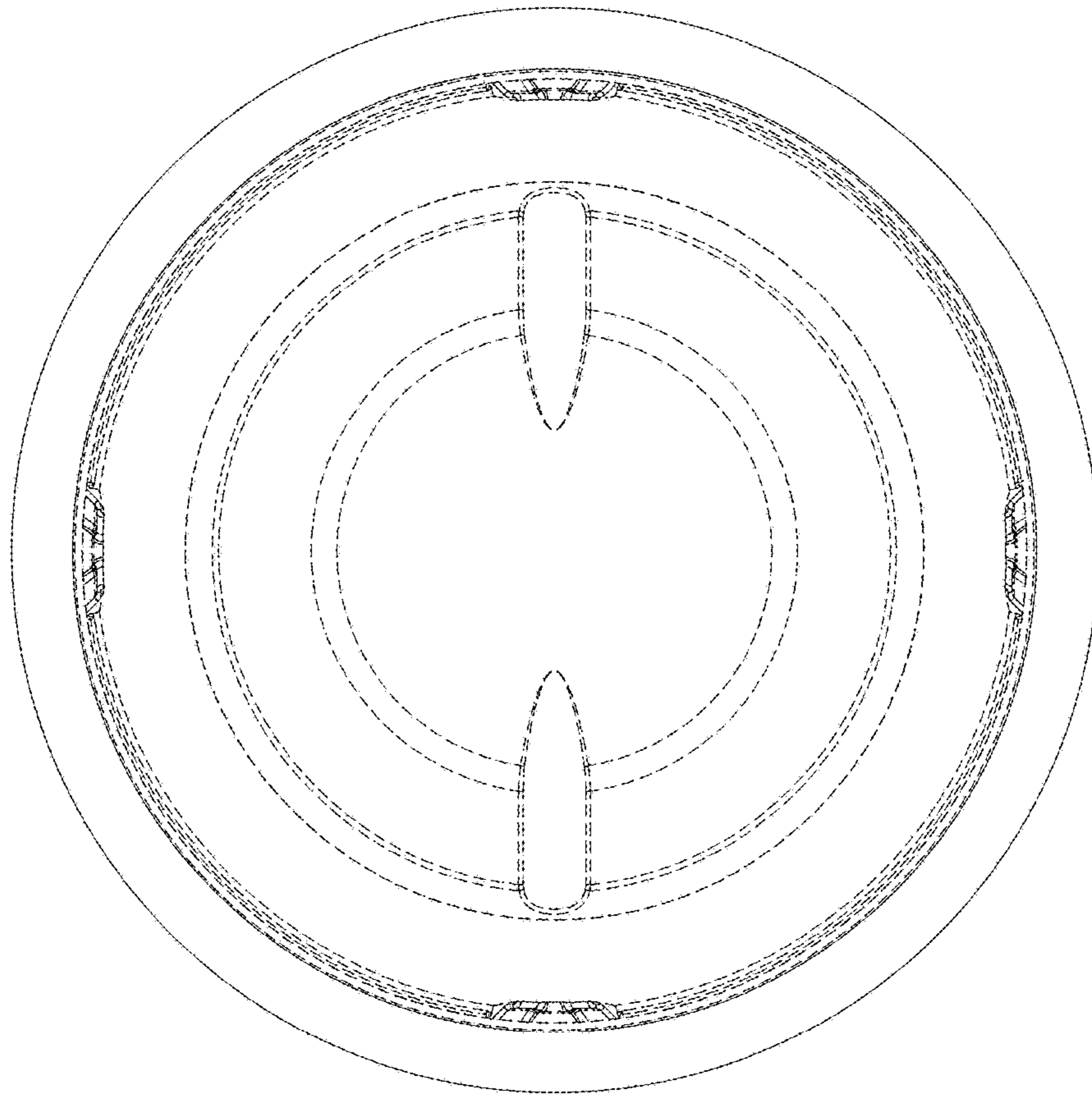


Fig. 7

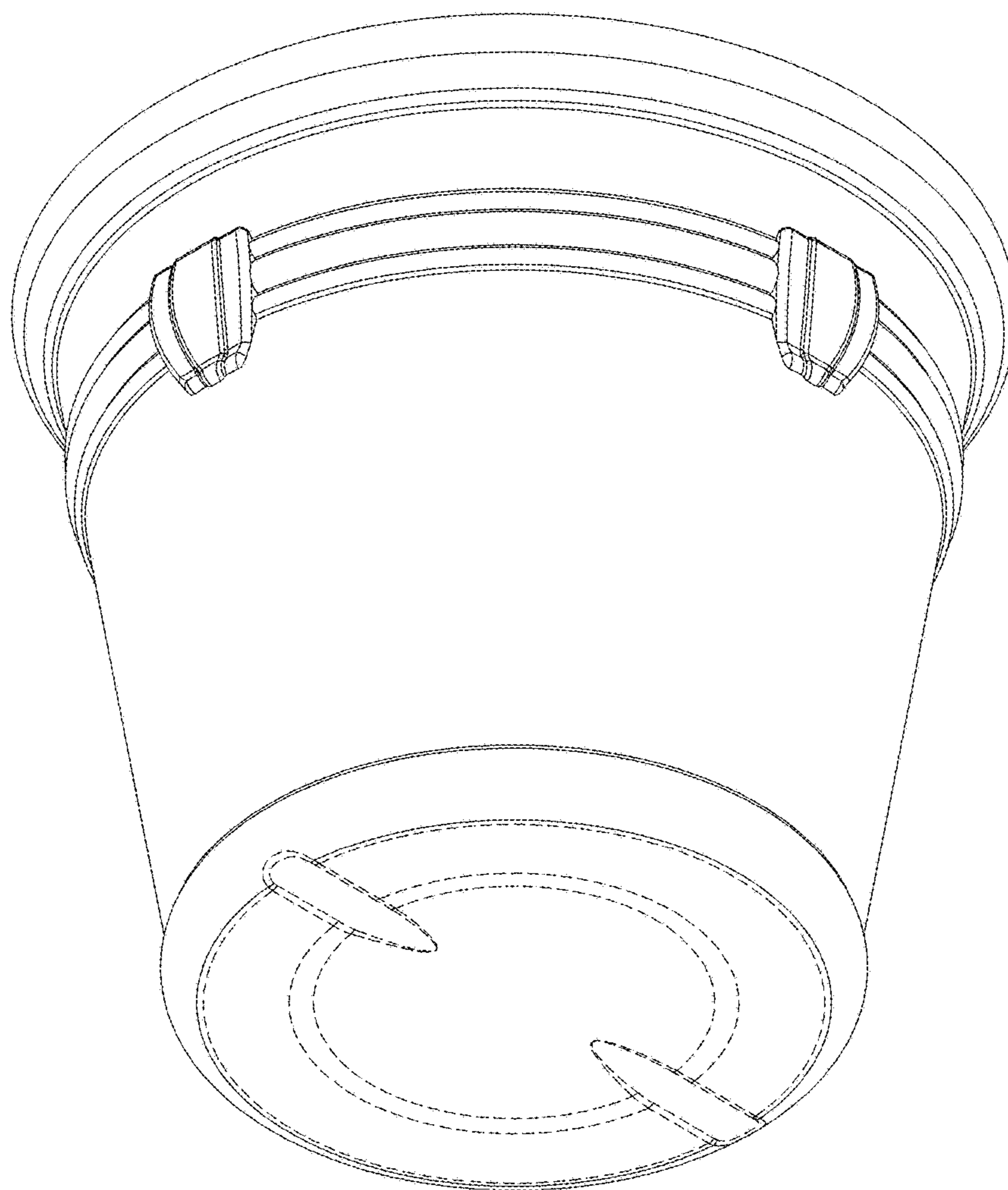


Fig. 8

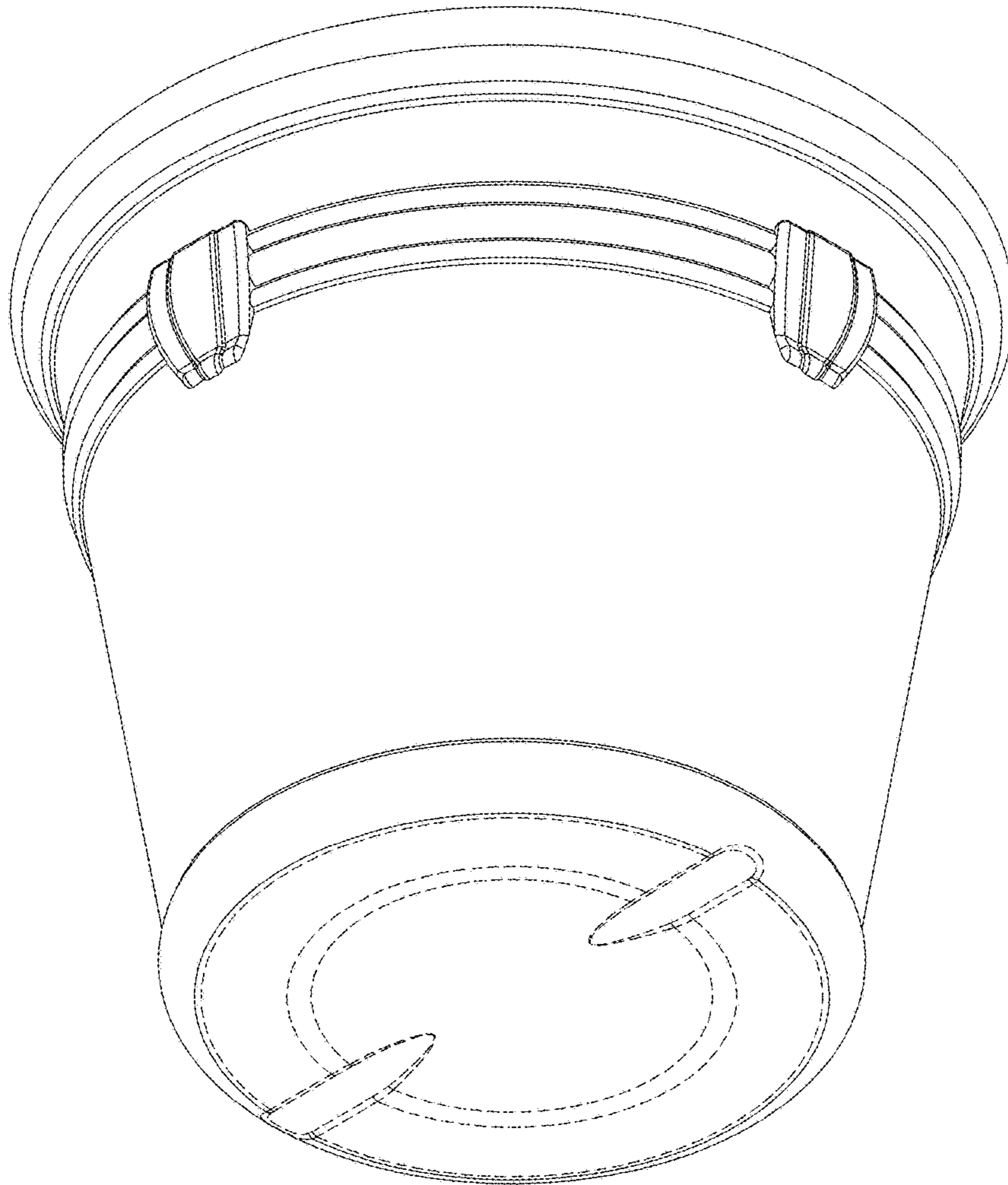


Fig. 9

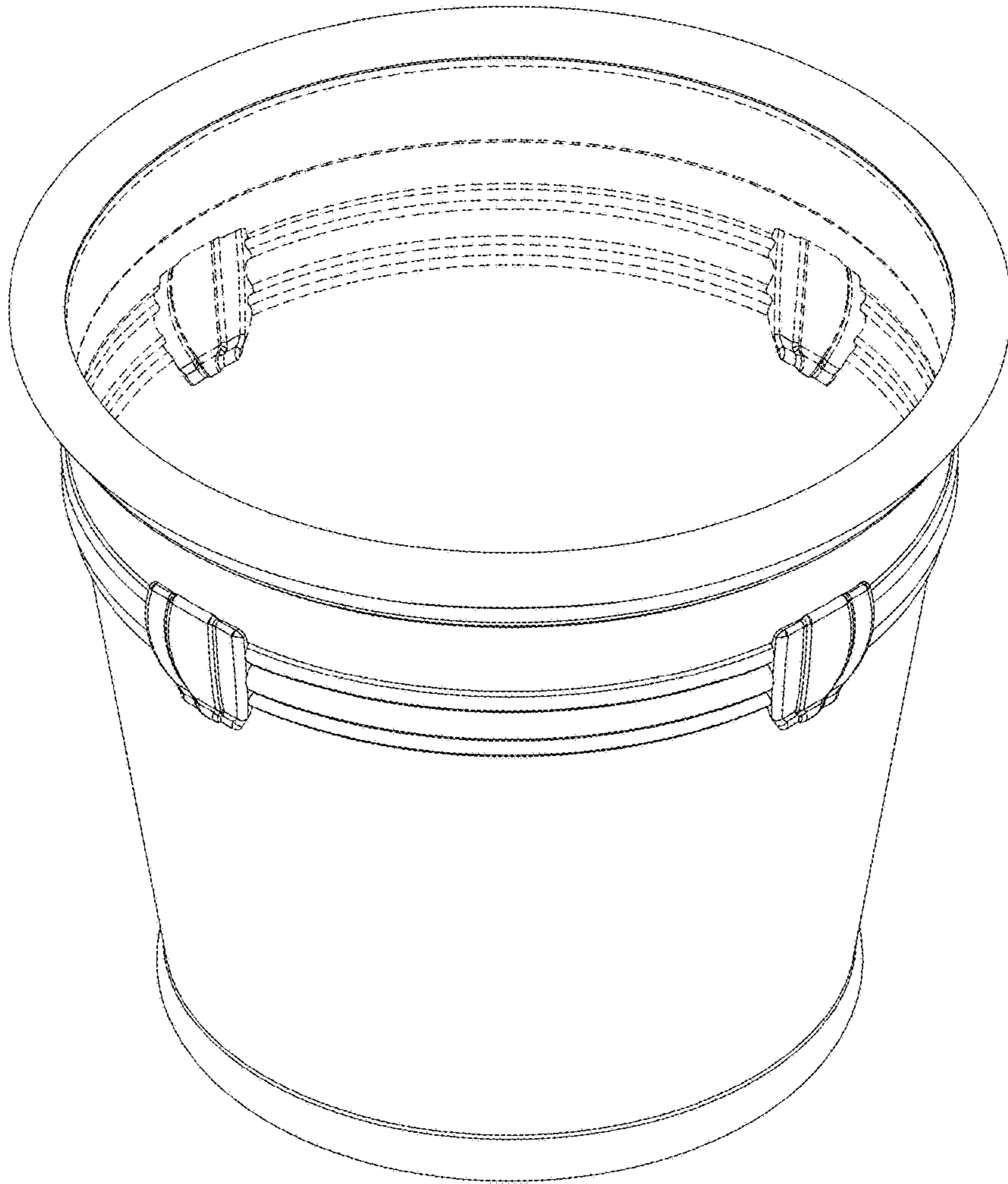


Fig. 10