



US00D854436S

(12) **United States Design Patent**
Morita et al.

(10) **Patent No.:** **US D854,436 S**

(45) **Date of Patent:** **** Jul. 23, 2019**

(54) **HUMAN BODY DETECTORS**

(71) Applicant: **OPTEX CO., LTD.**, Shiga (JP)

(72) Inventors: **Chihiro Morita**, Otsu (JP); **Hiroyuki Ikeda**, Otsu (JP); **Takeo Hyodo**, Tokyo (JP); **Yu Kawashima**, Tokyo (JP)

(**) Term: **15 Years**

(21) Appl. No.: **35/504,833**

(22) Filed: **Nov. 2, 2017**

(80) **Hague Agreement Data**

Int. Filing Date: **Nov. 2, 2017**

Int. Reg. No.: **DM/099365**

Int. Reg. Date: **Nov. 2, 2017**

Int. Reg. Pub. Date: **May 4, 2018**

(51) **LOC (11) Cl.** **10-05**

(52) **U.S. Cl.**
USPC **D10/106.6**

(58) **Field of Classification Search**
USPC D10/106.6
See application file for complete search history.

(56) **References Cited**

U.S. PATENT DOCUMENTS

D261,740 S * 11/1981 Lederer D10/106.6

D281,865 S * 12/1985 Abel D10/106.1

(Continued)

Primary Examiner — George D. Kirschbaum

(57) **CLAIM**

The ornamental design for a human body detector, as shown and described.

DESCRIPTION

1.-4. Human body detectors

1.1 : Front

1.2 : Back

1.3 : Left

1.4 : Top

1.5 : Bottom

1.6 : Perspective

1.7 : Perspective

1.8 : Perspective

1.9 : Perspective

1.10 : Perspective

1.11 : Perspective

2.1 : Front

2.2 : Back

2.3 : Left

2.4 : Top

2.5 : Bottom

2.6 : Perspective

2.7 : Perspective

2.8 : Perspective

2.9 : Perspective

2.10 : Perspective

2.11 : Perspective

3.1 : Front

3.2 : Back

3.3 : Left

3.4 : Top

3.5 : Bottom

3.6 : Perspective

3.7 : Perspective

3.8 : Perspective

3.9 : Perspective

3.10 : Perspective

3.11 : Perspective

4.1 : Front

4.2 : Back

4.3 : Left

4.4 : Top

4.5 : Bottom

4.6 : Perspective

4.7 : Perspective

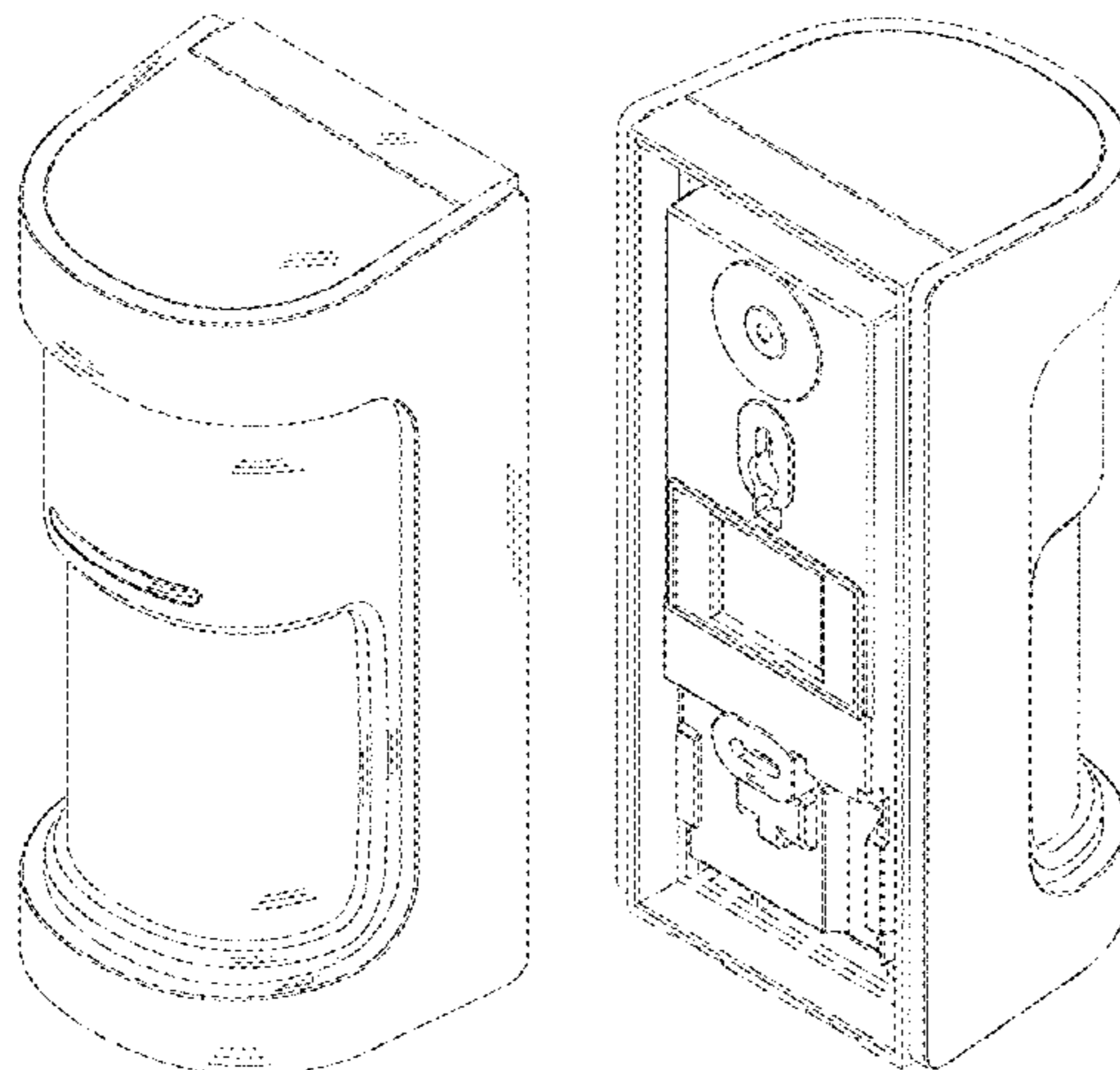
4.8 : Perspective

4.9 : Perspective

4.10 : Perspective

4.11 : Perspective

(Continued)



The right views of designs 1 to 4 are omitted since they are mirror images of reproductions 1.3, 2.3, 3.3 and 4.3, respectively, all of which are the left views.

1 Claim, 44 Drawing Sheets

(56)

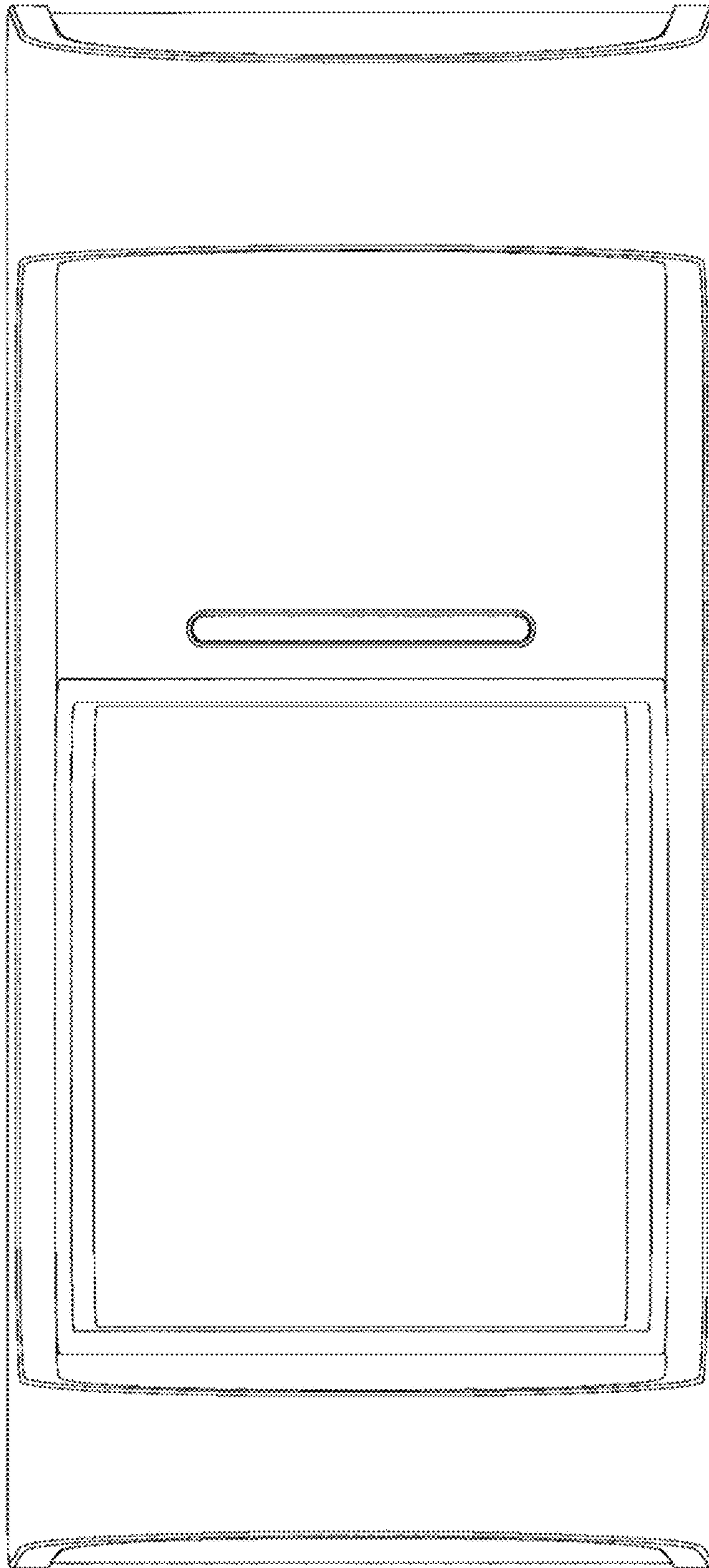
References Cited

U.S. PATENT DOCUMENTS

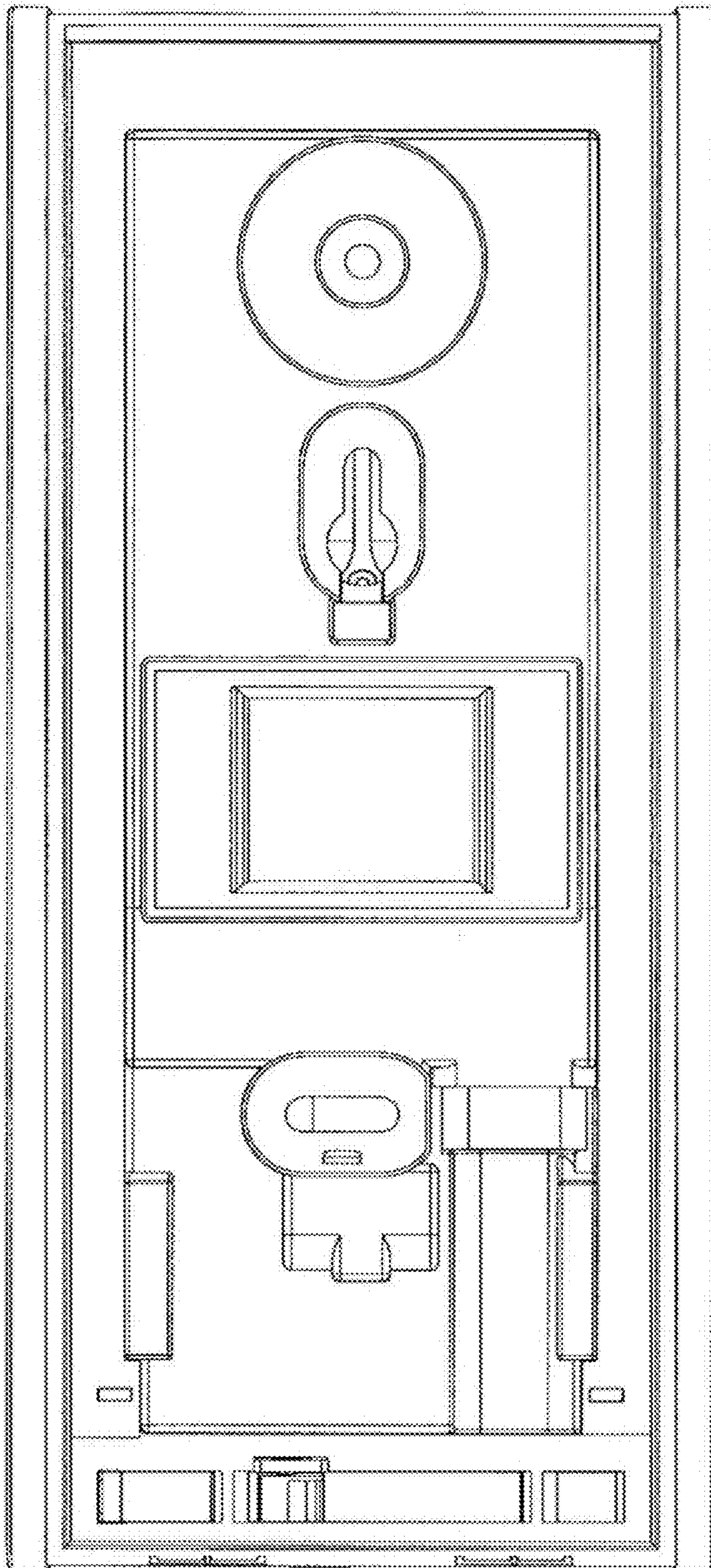
D307,875	S	*	5/1990	Mallory	D10/106.6
D485,774	S	*	1/2004	Hwang	D10/106.6
D537,746	S	*	3/2007	Kageyama	D10/106.6
D632,600	S	*	2/2011	Noguchi	D10/106.6
D664,877	S	*	8/2012	Krumpe	D10/106.7
D680,013	S	*	4/2013	Ikeda	D10/106.6
D795,108	S	*	8/2017	Kondo	D10/106.6

* cited by examiner

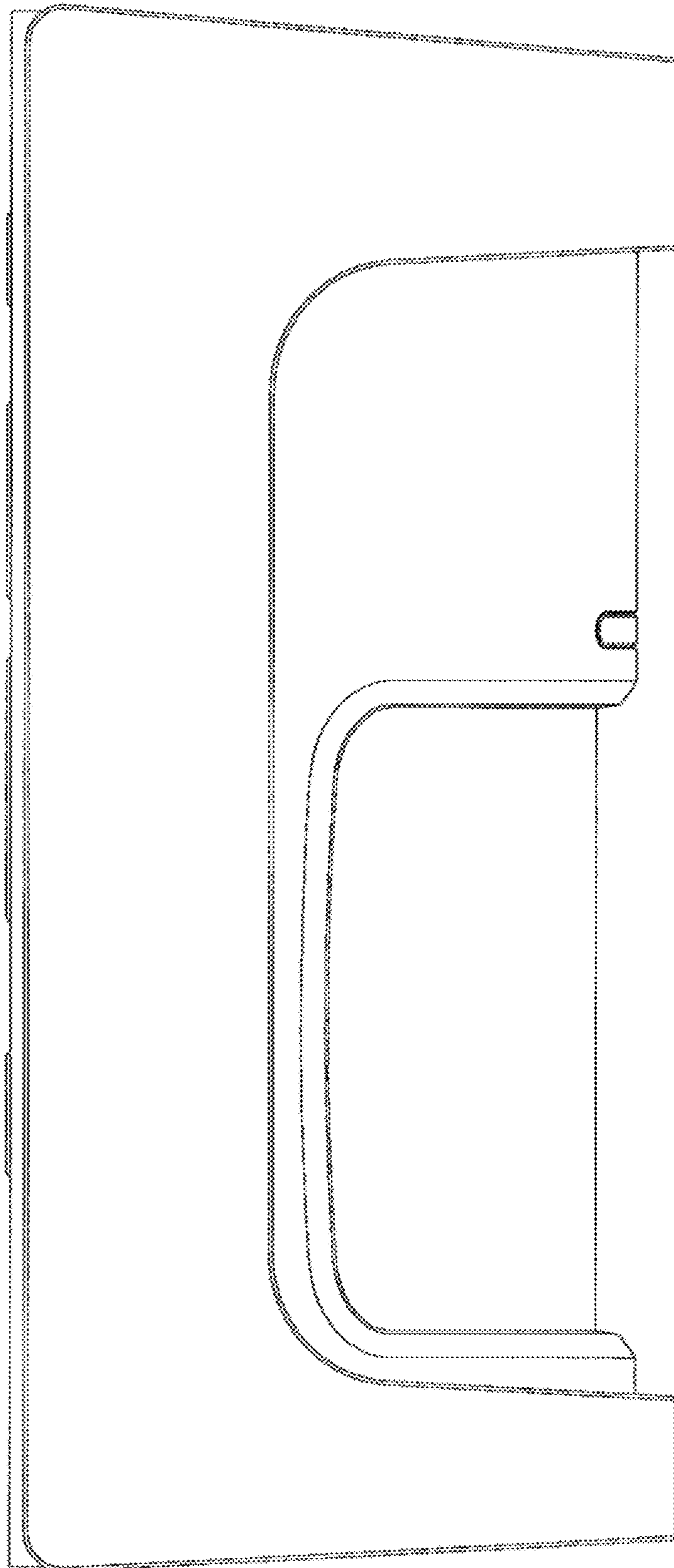
1.1



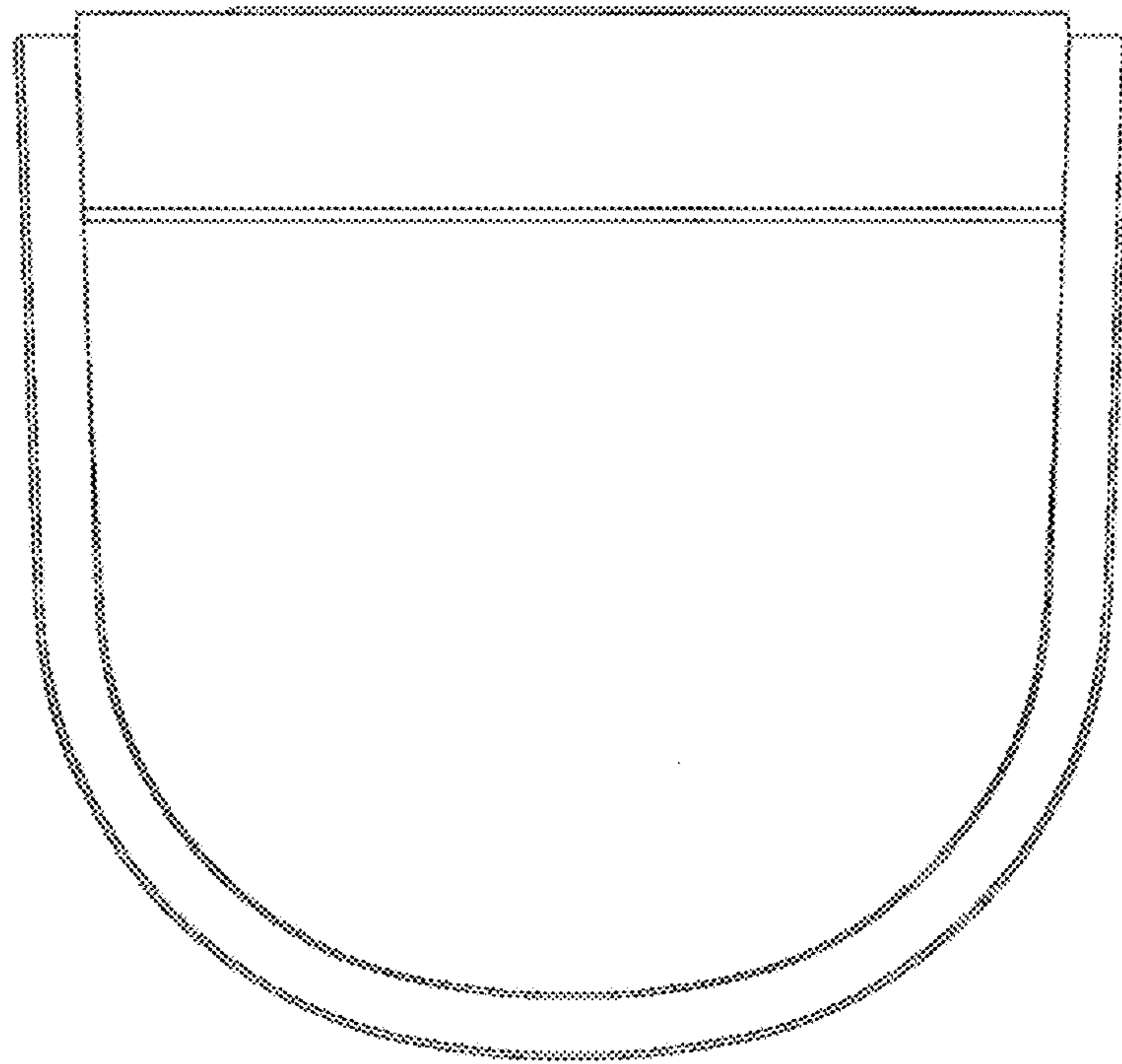
1.2



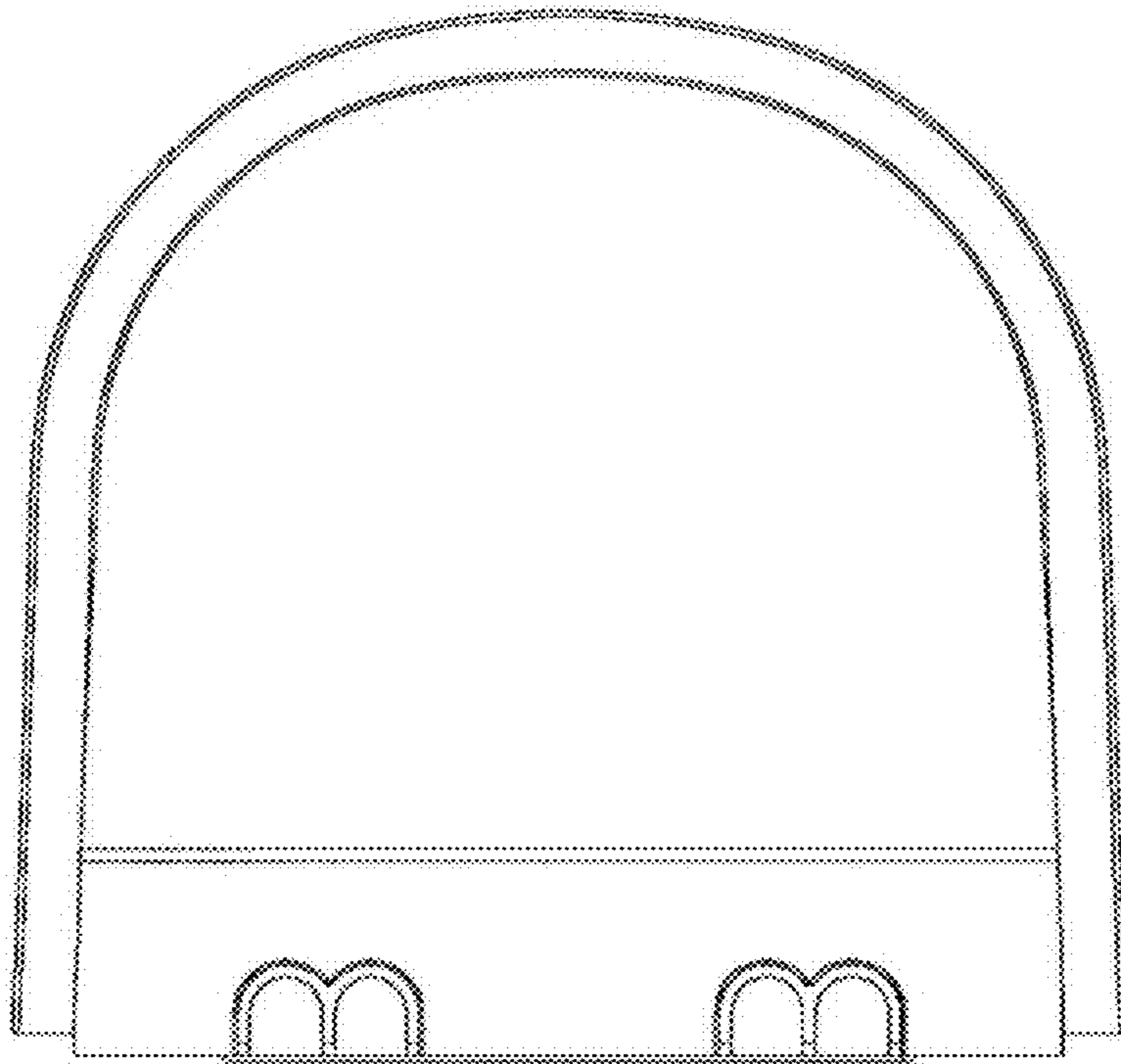
1.3



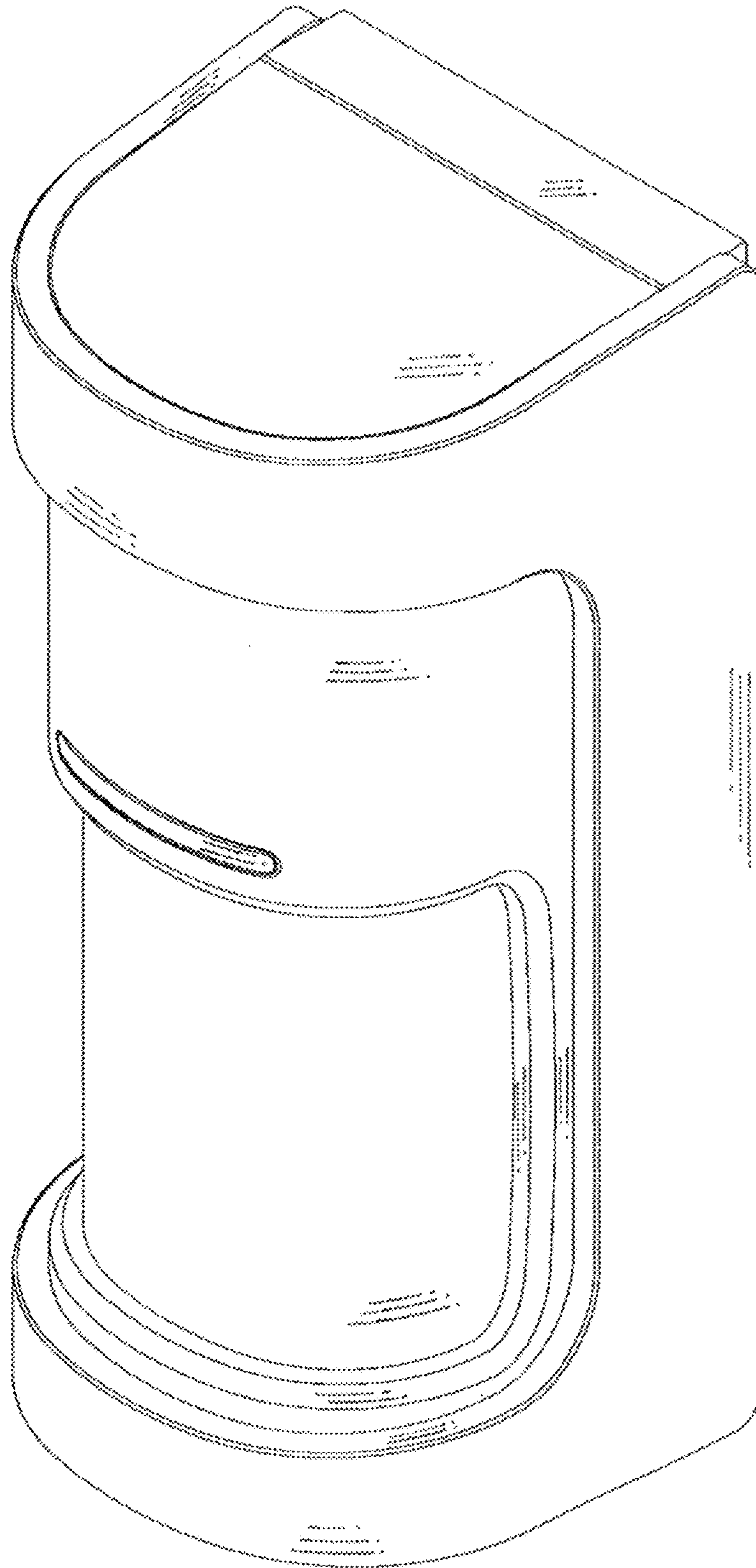
1.4



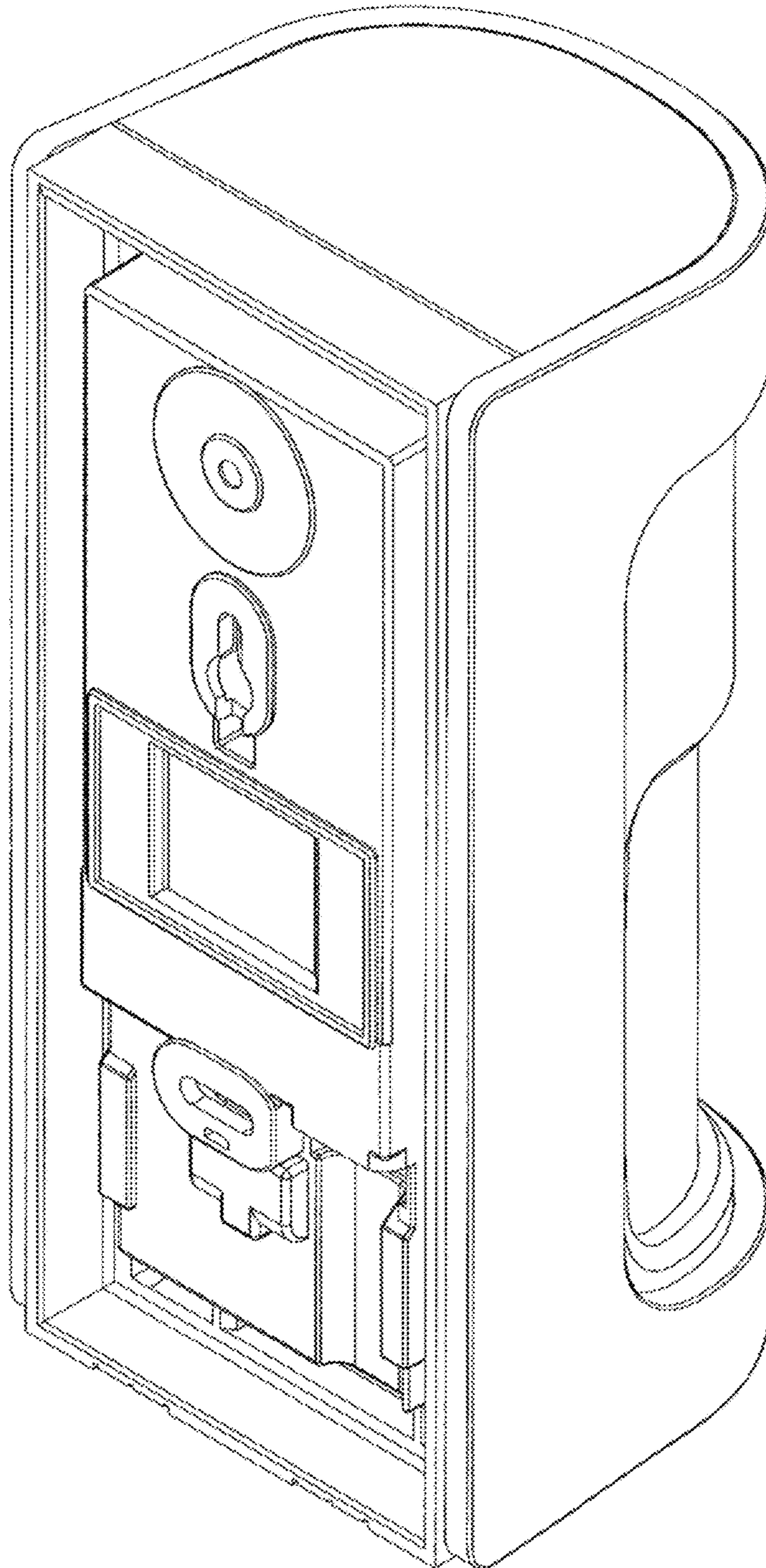
1.5



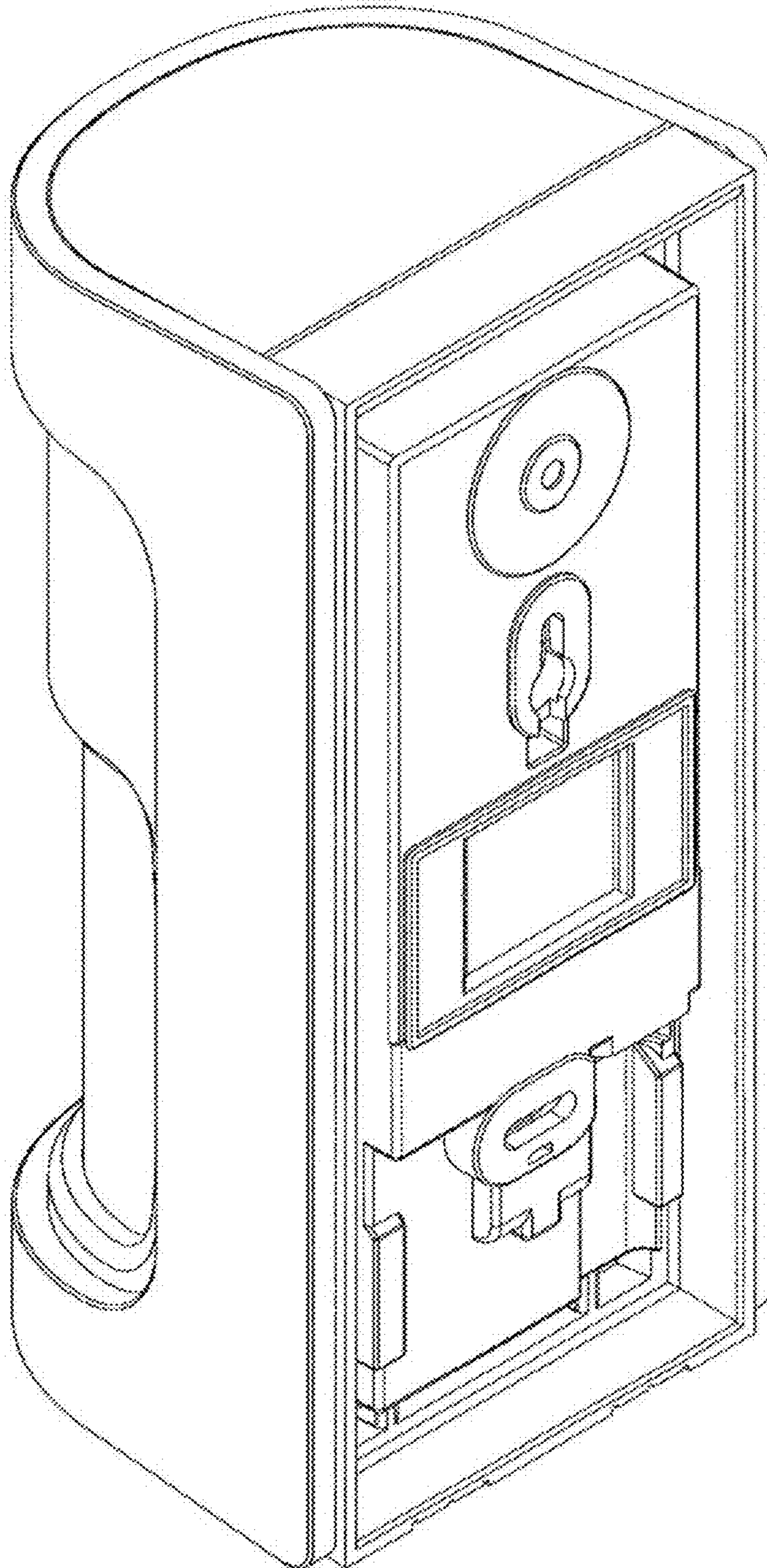
1.6



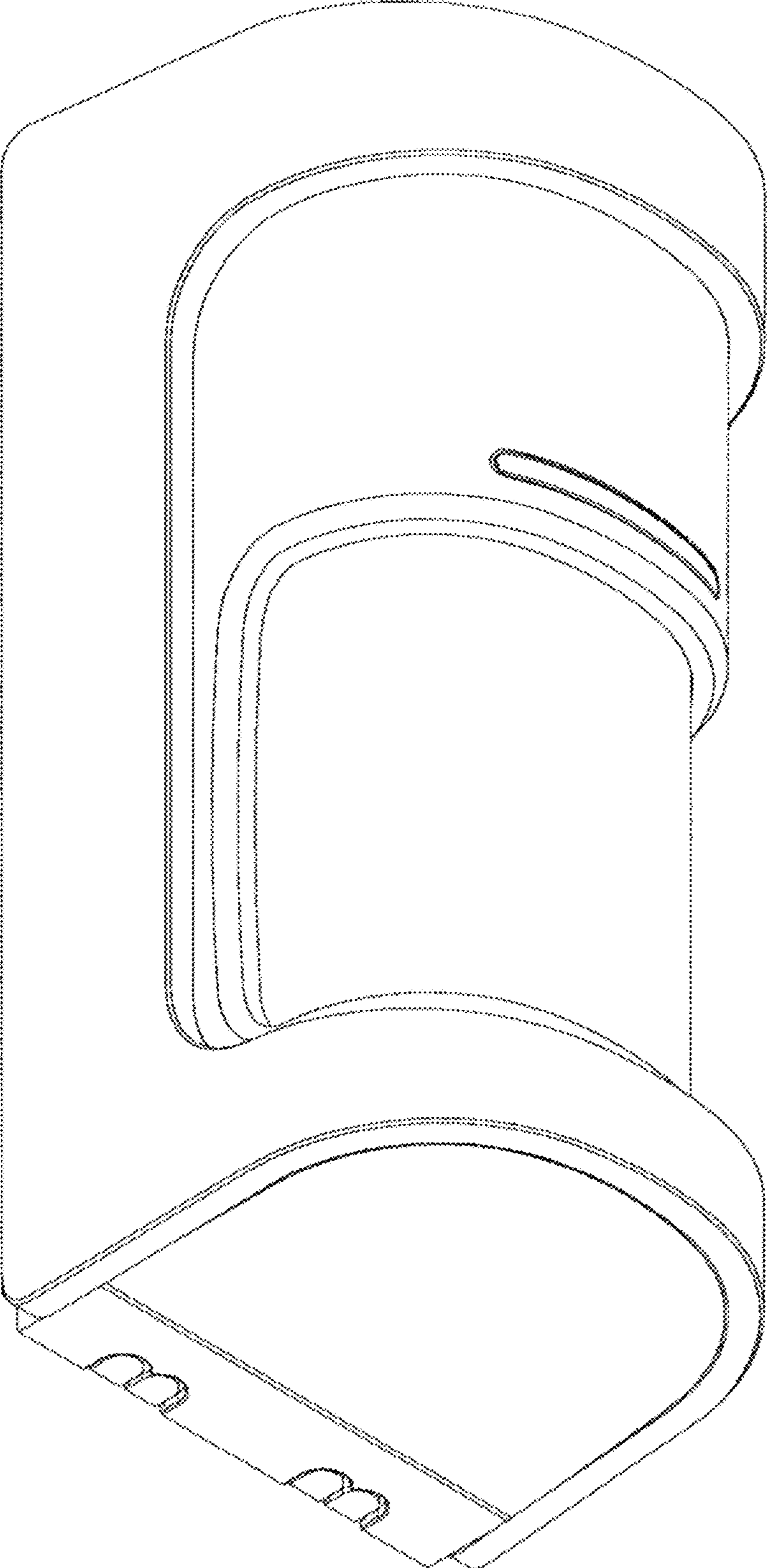
1.7



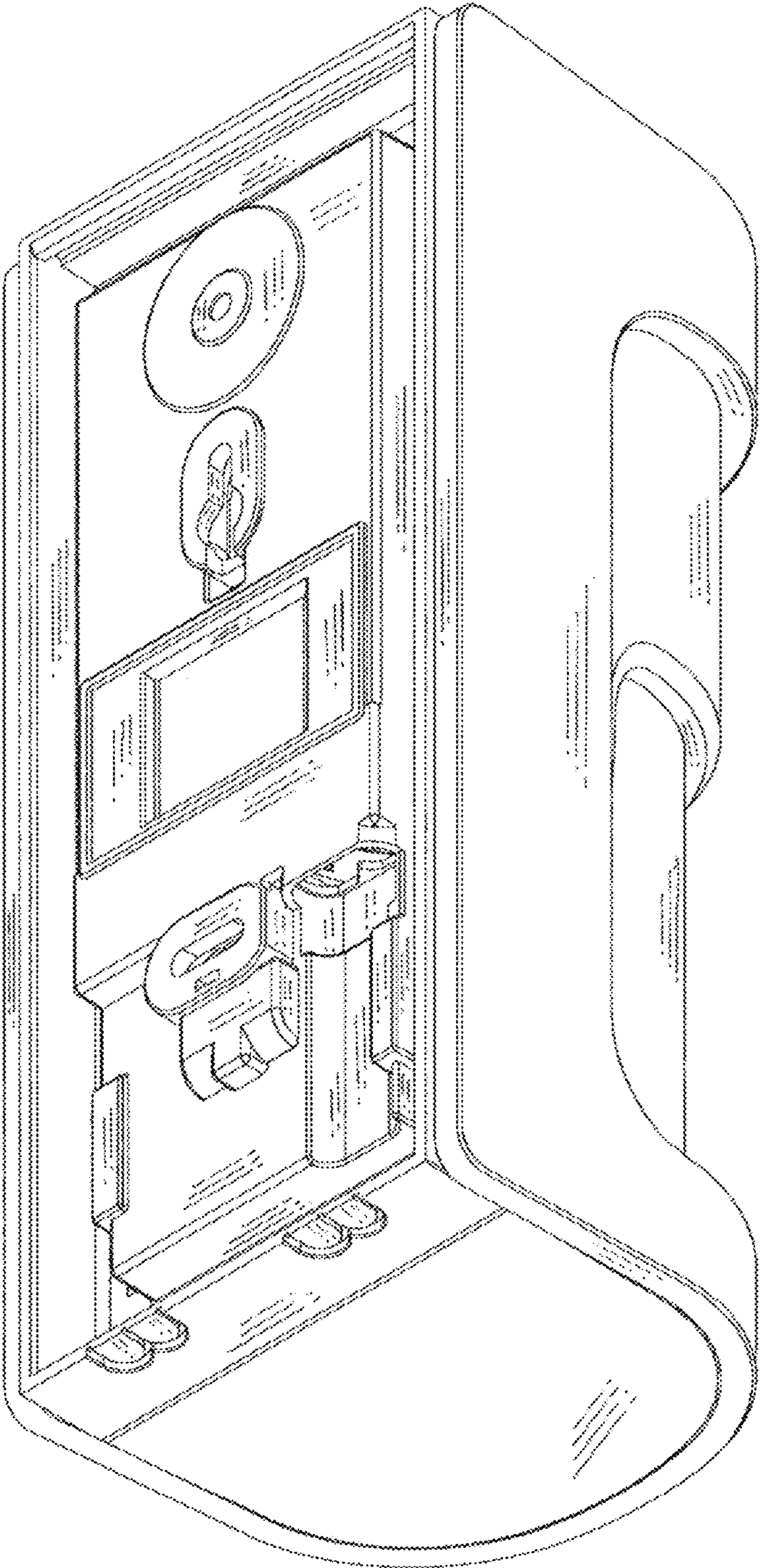
1.8



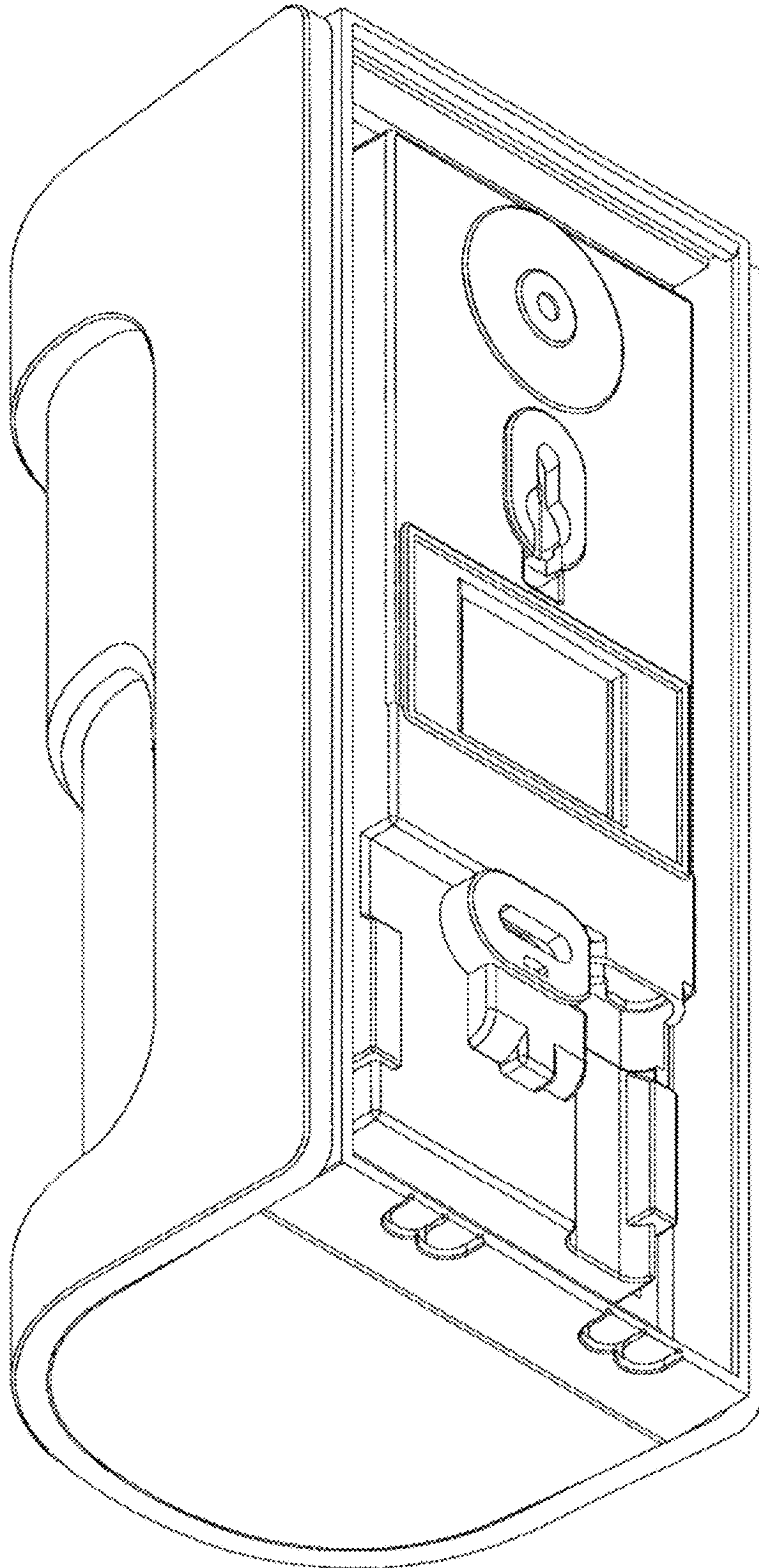
1.9



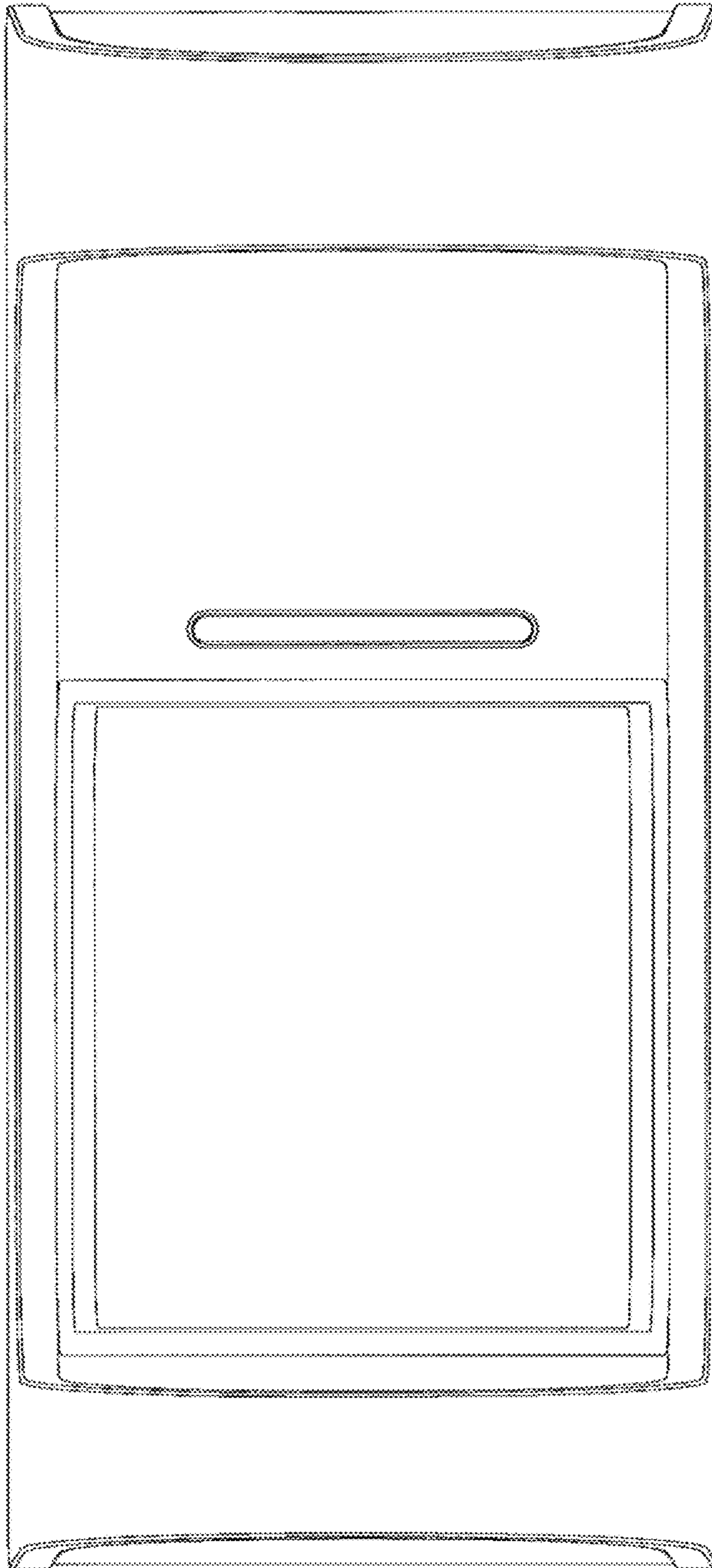
1.10



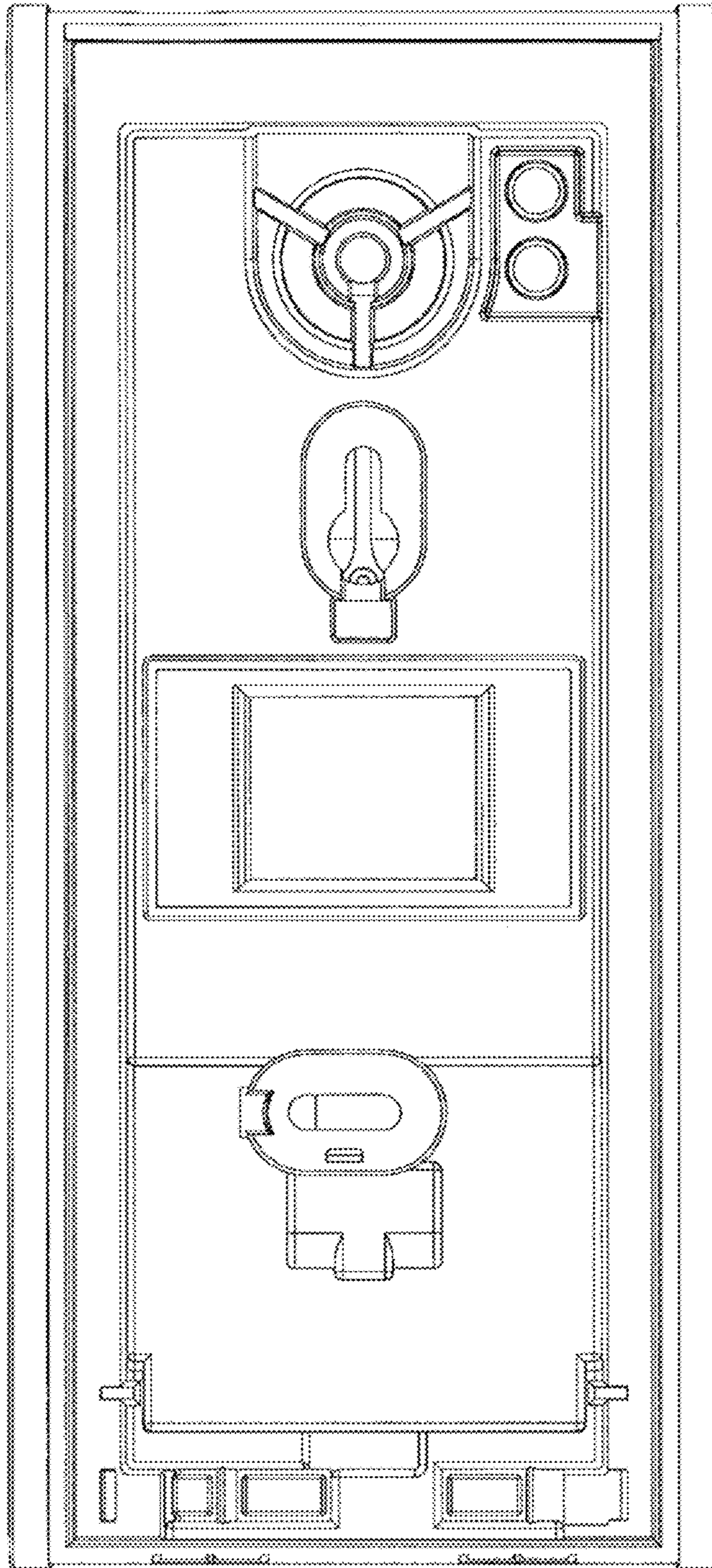
1.11



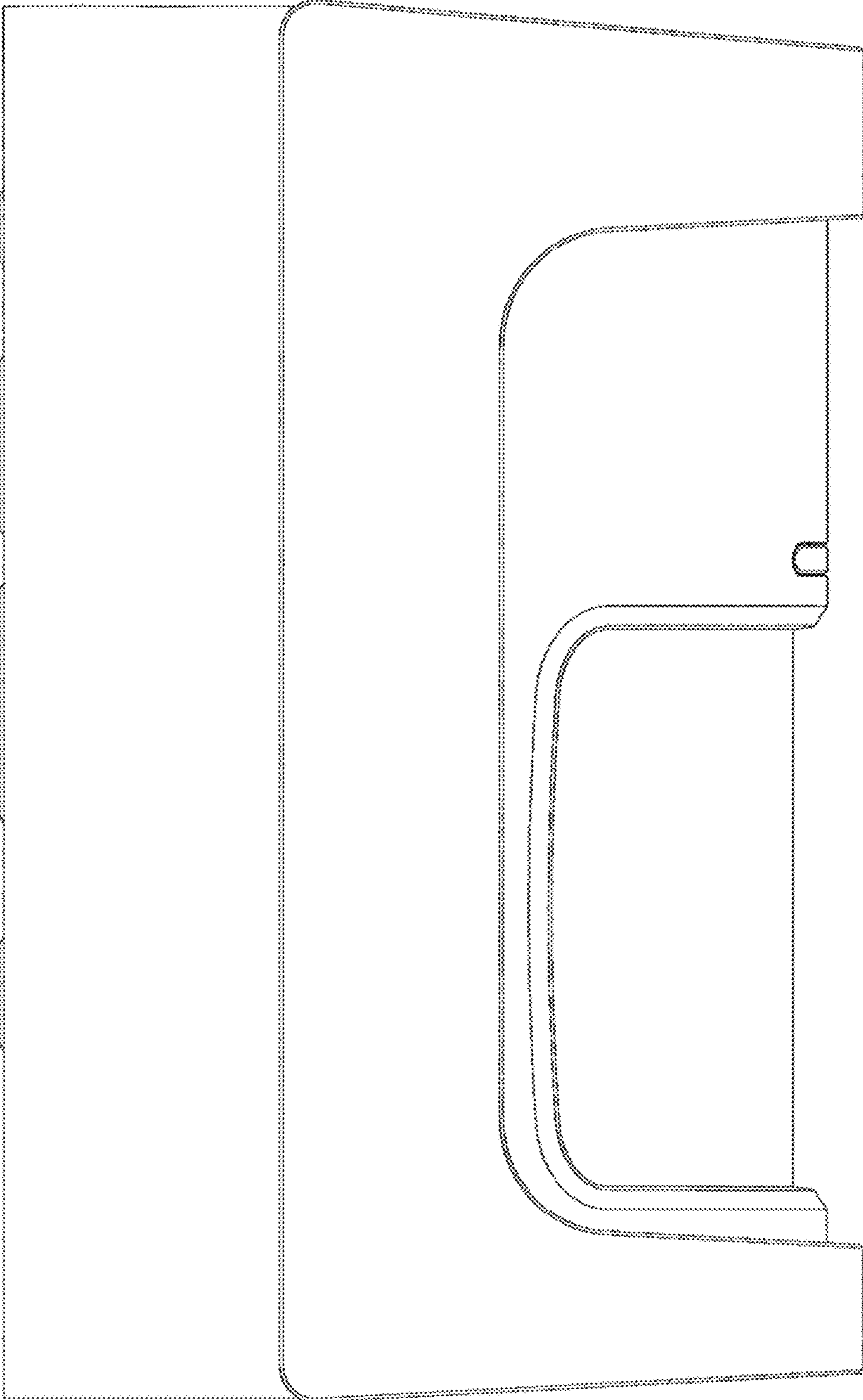
2.1



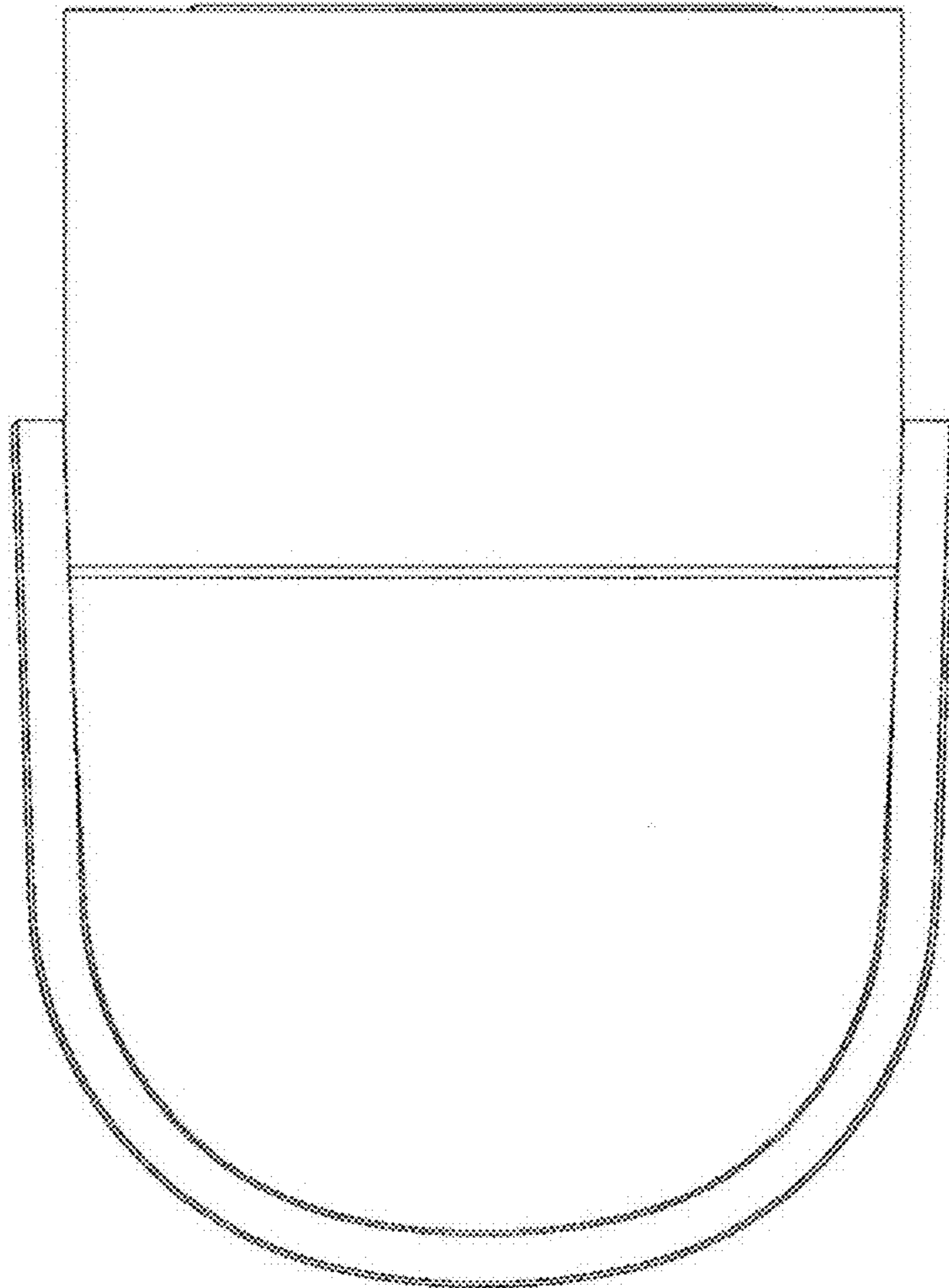
2.2



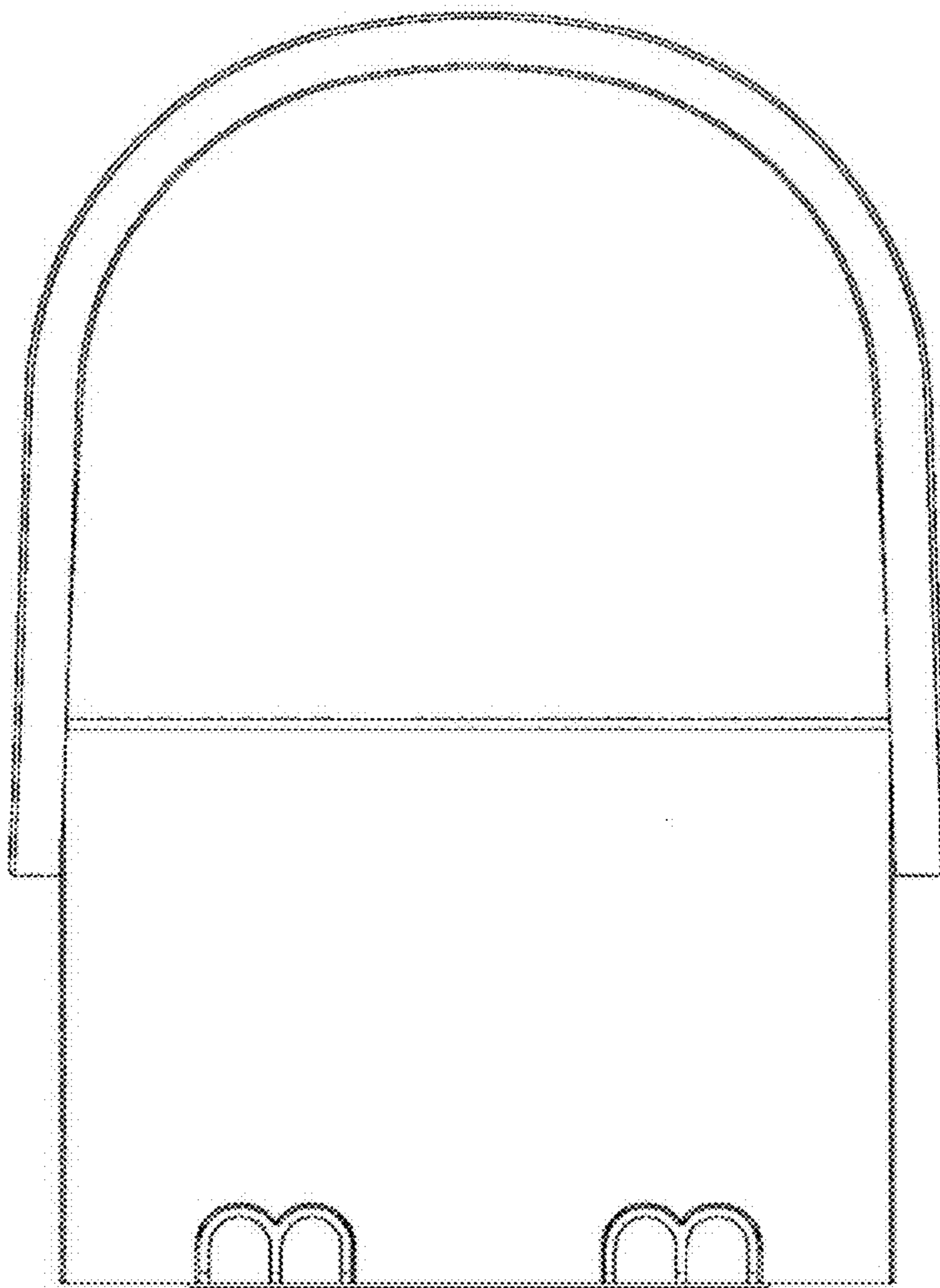
2.3



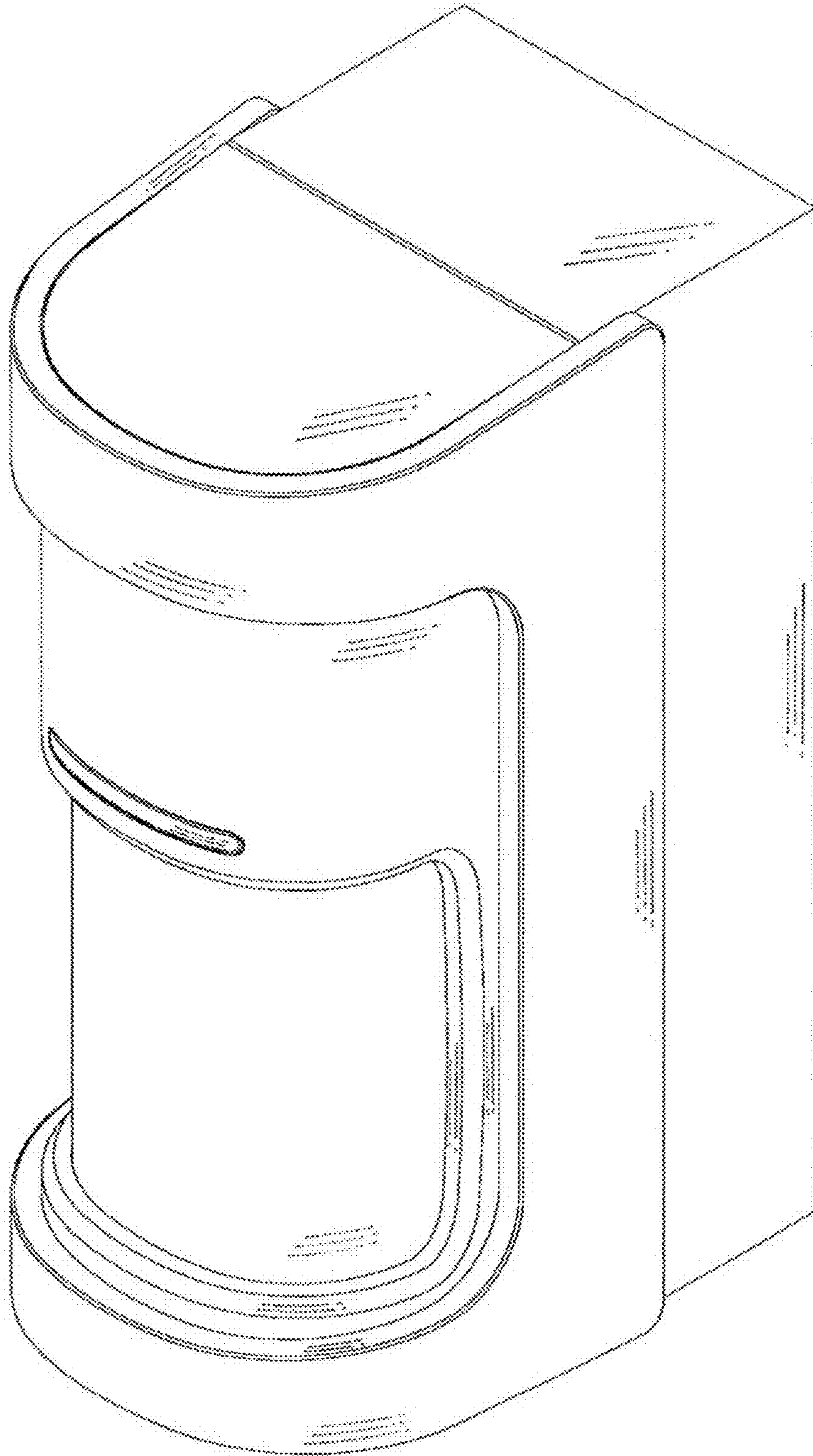
2.4



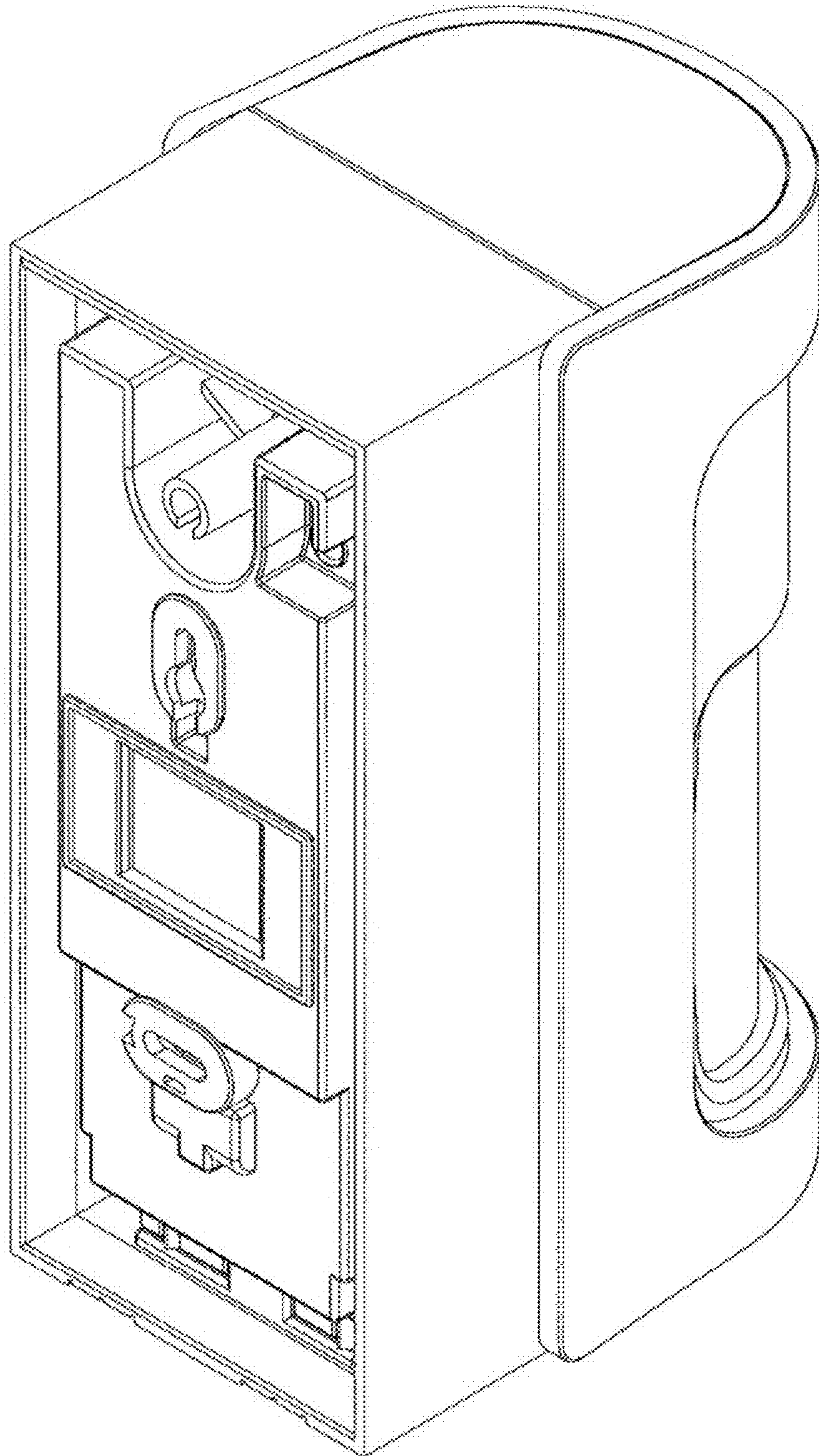
2.5



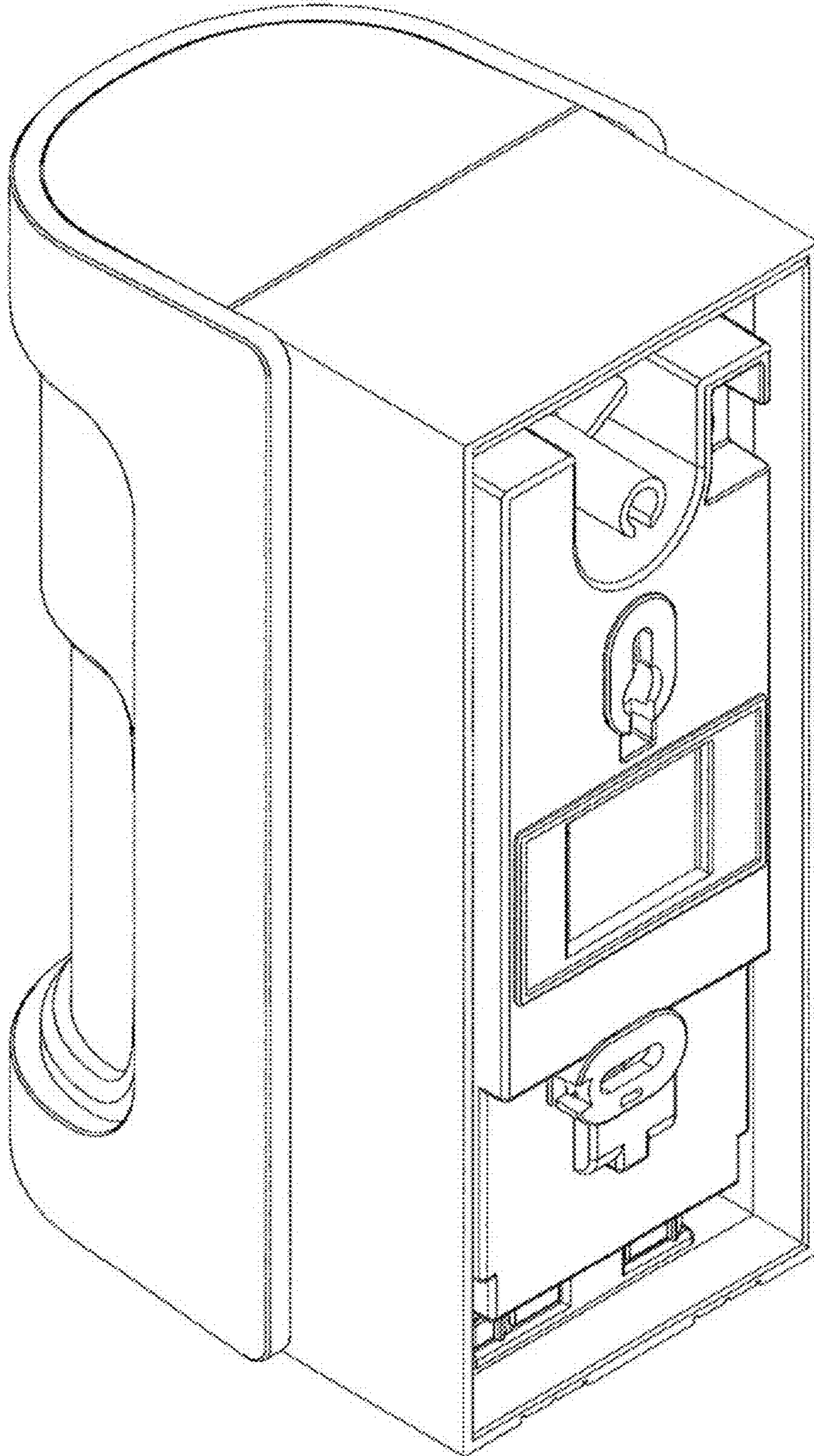
2.6



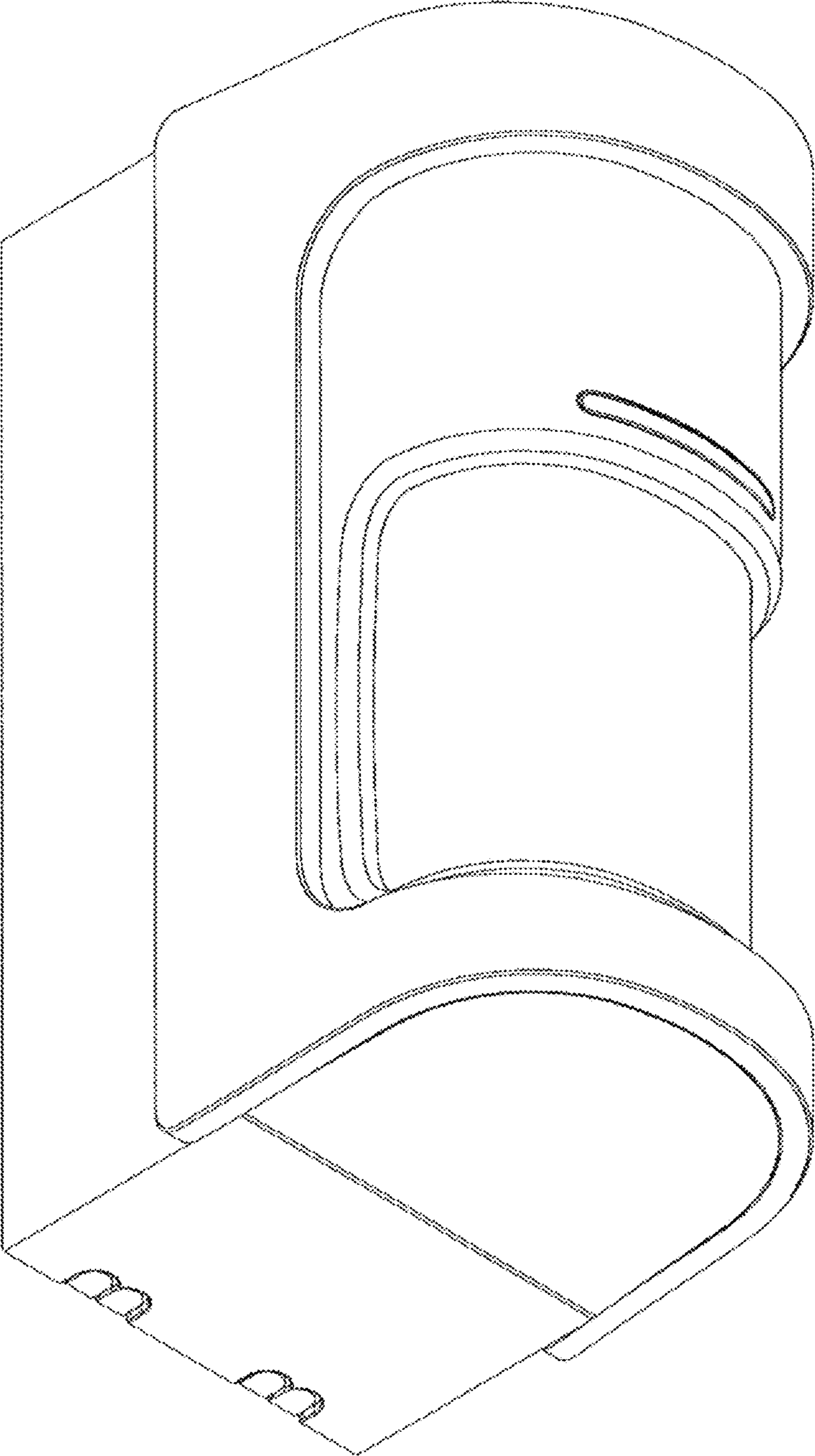
2.7



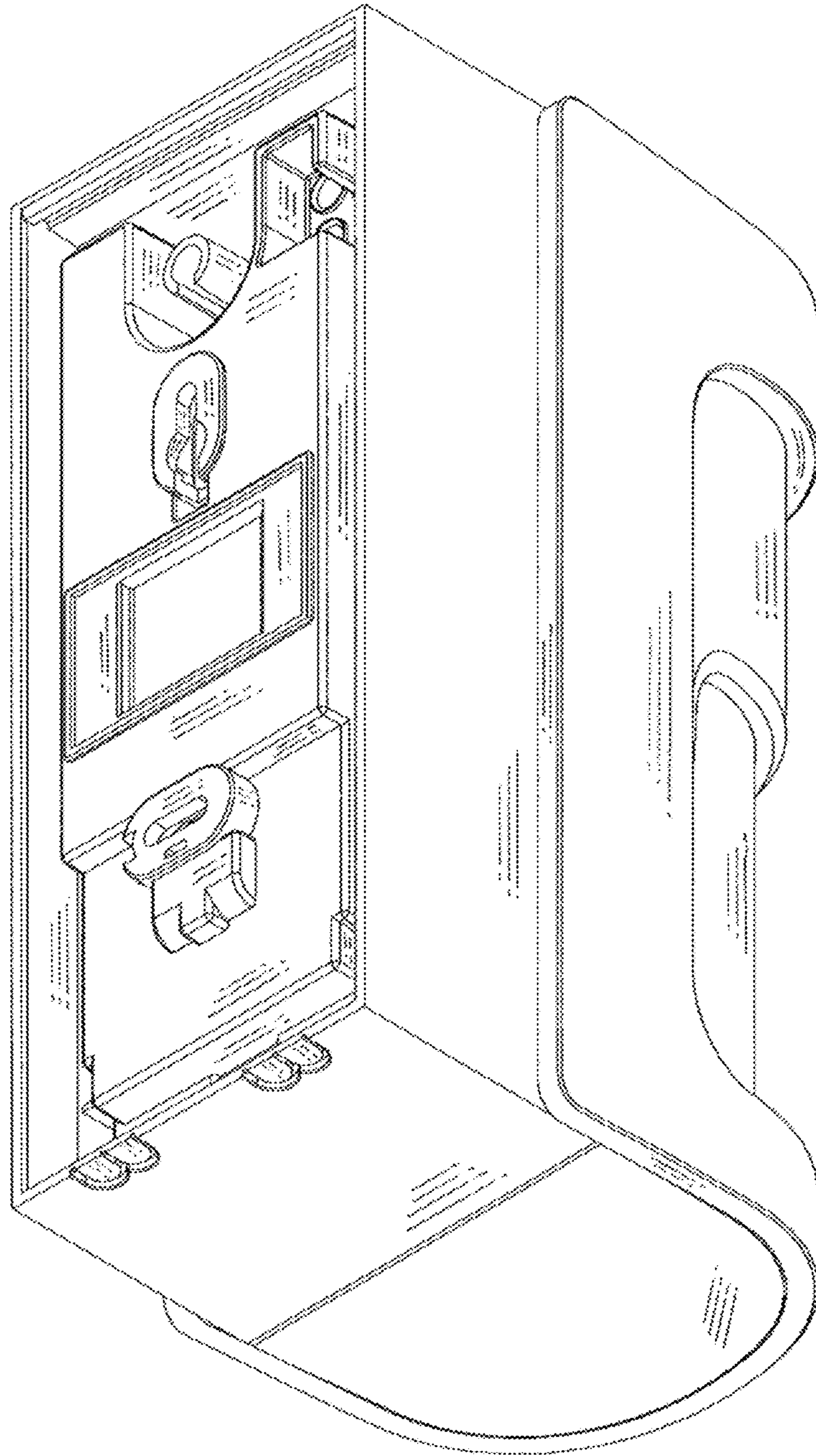
2.8



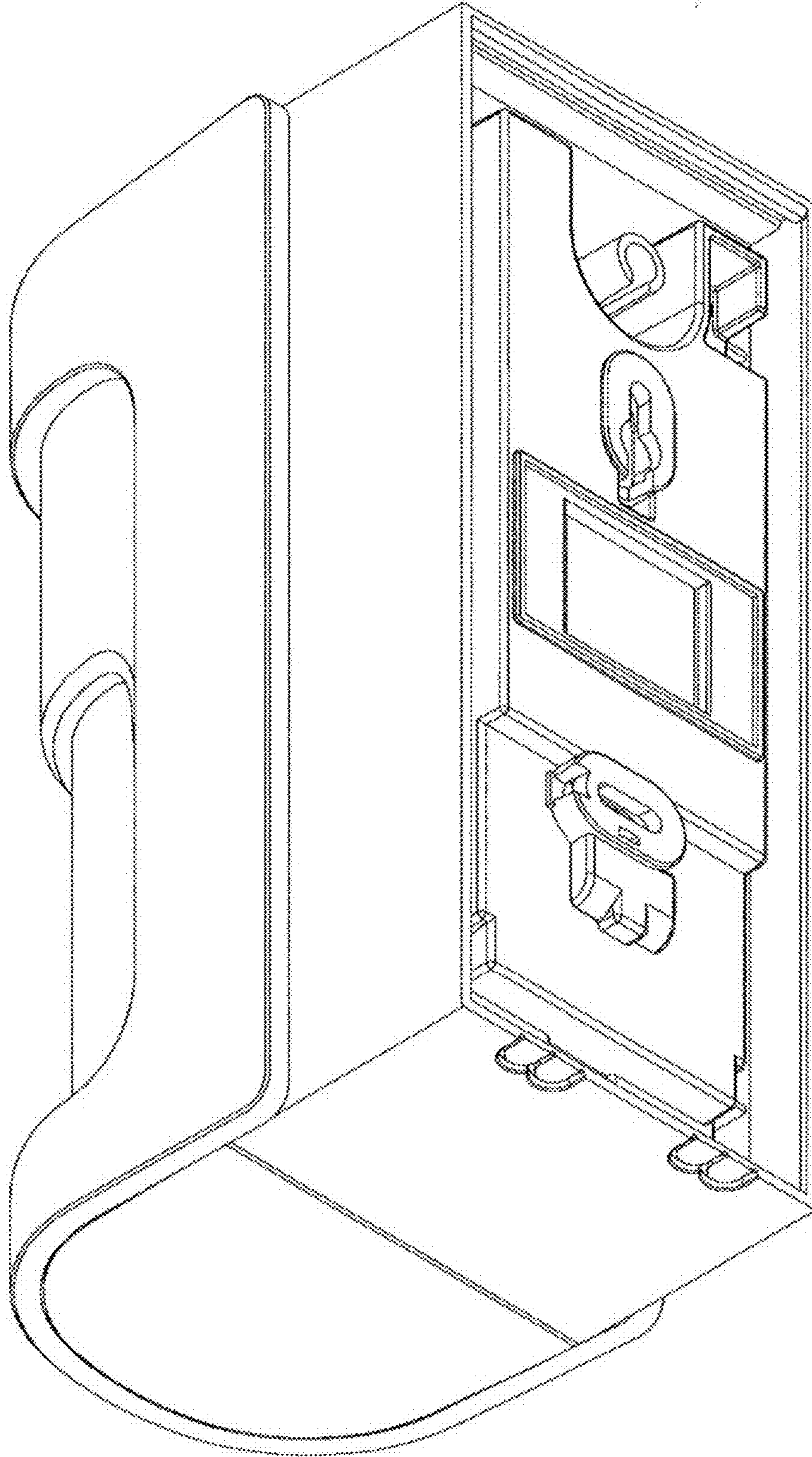
2.9



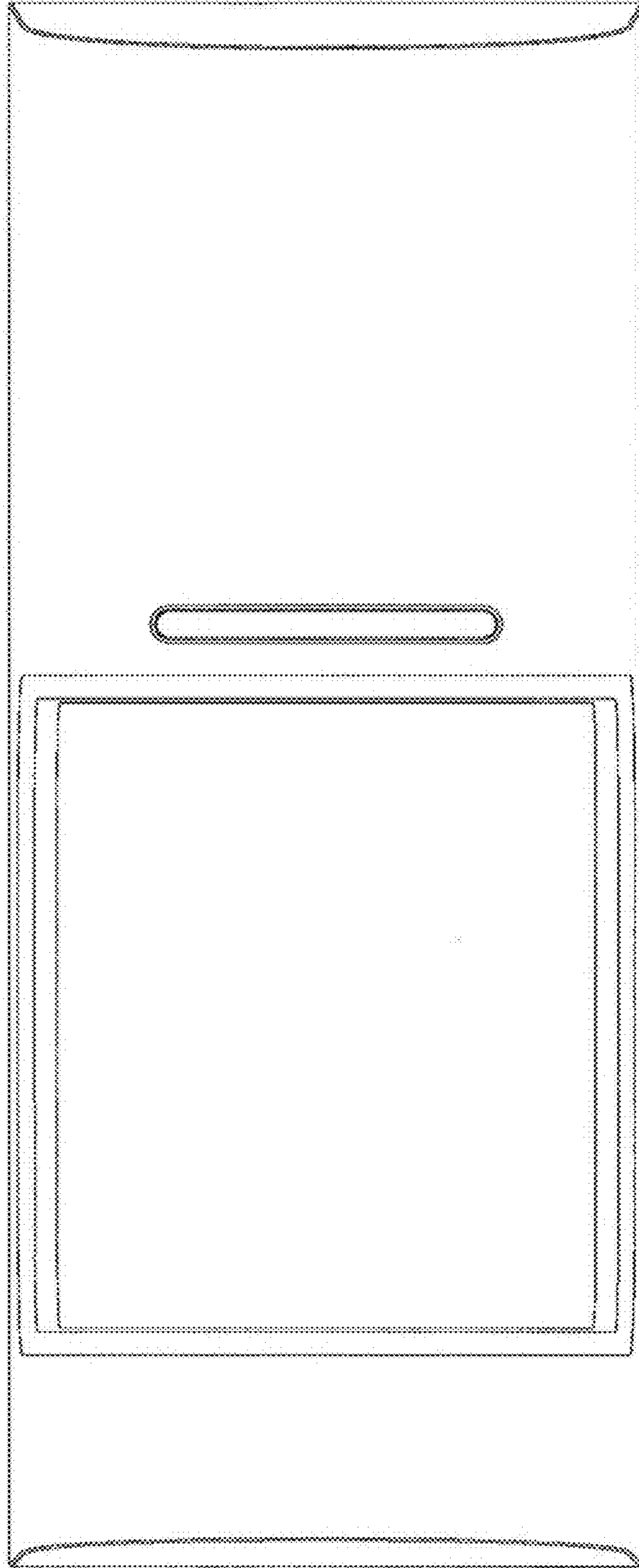
2.10



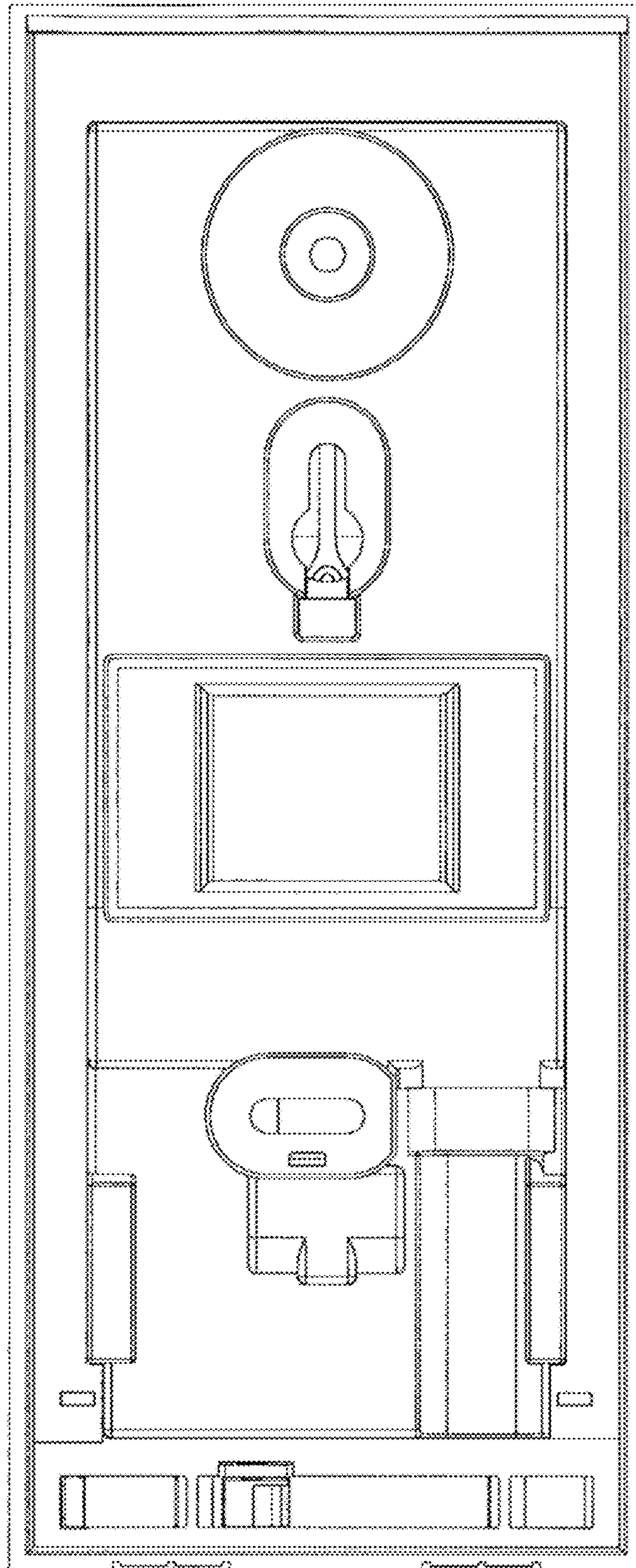
2.11



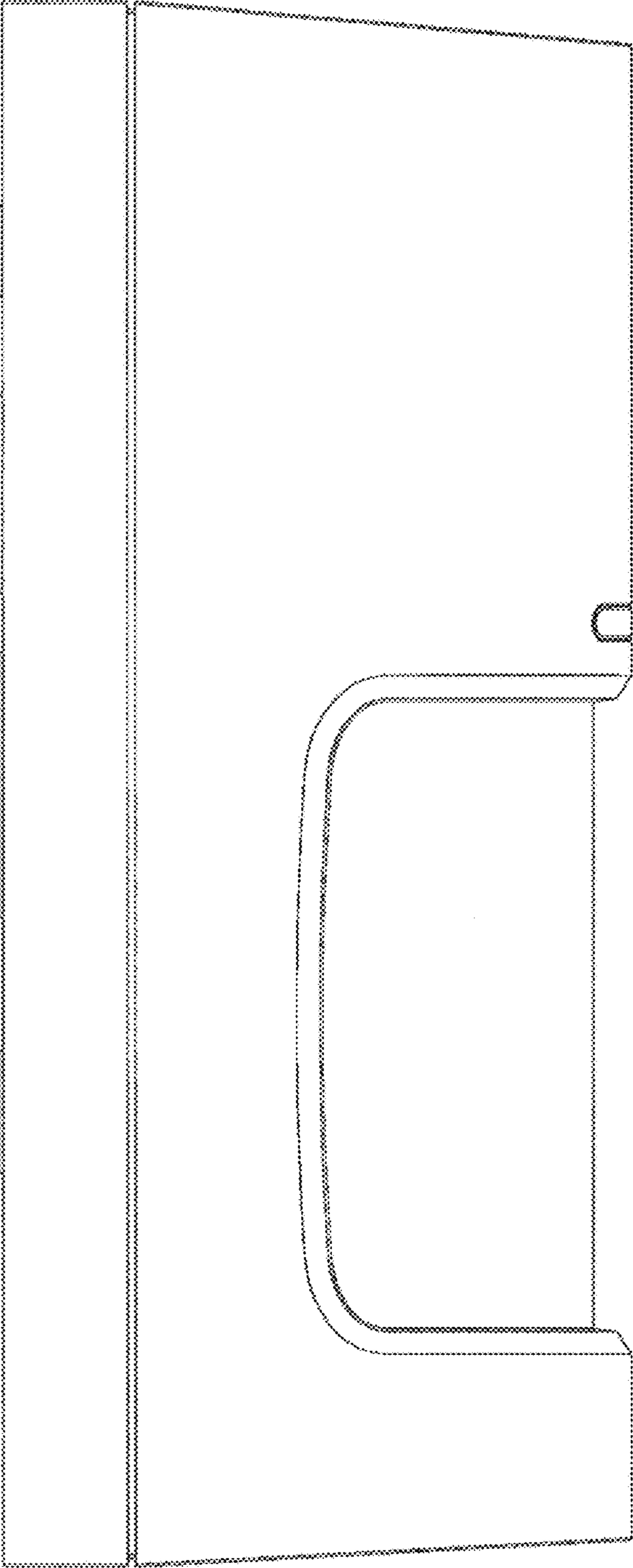
3.1



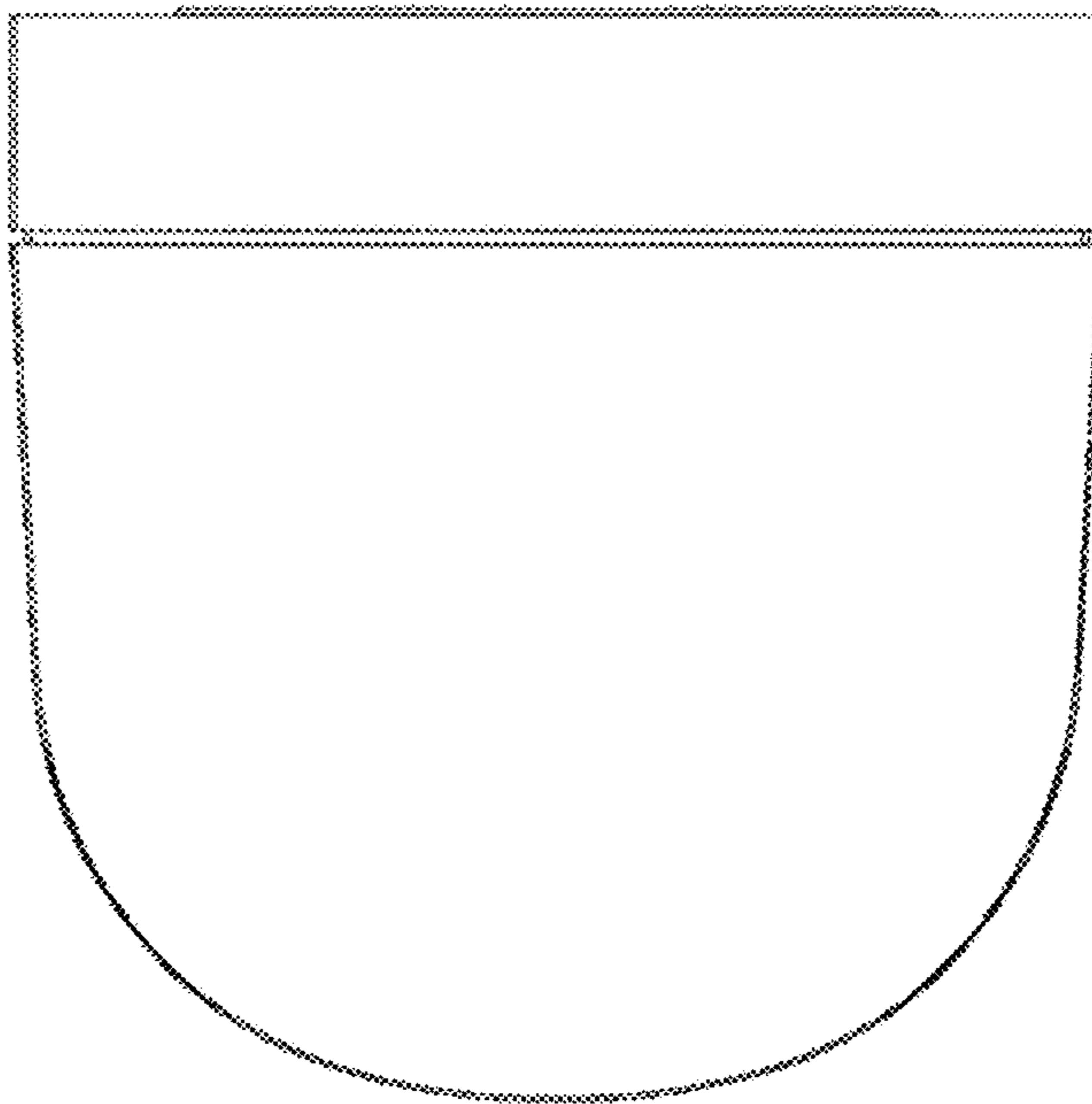
3.2



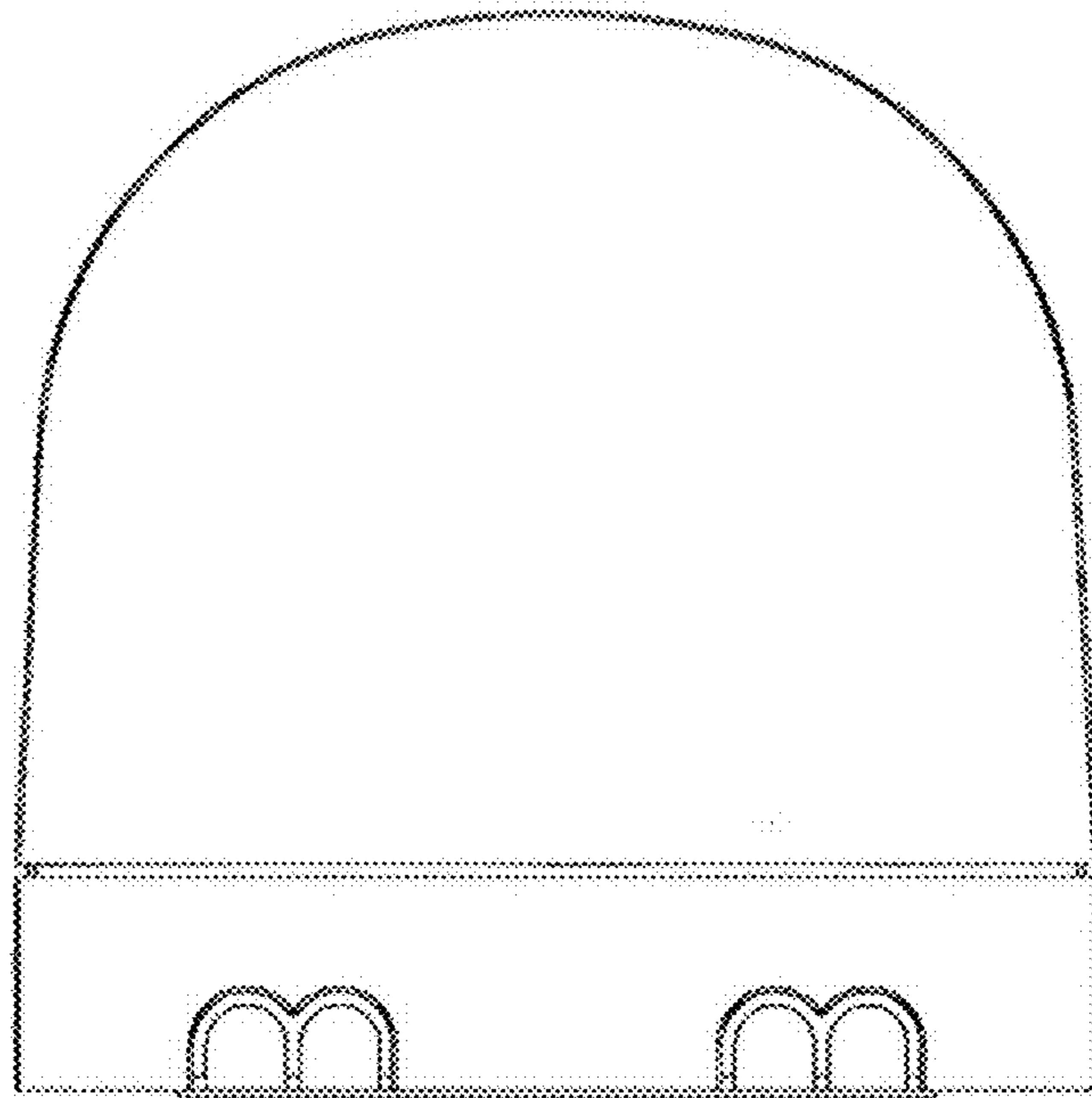
3.3



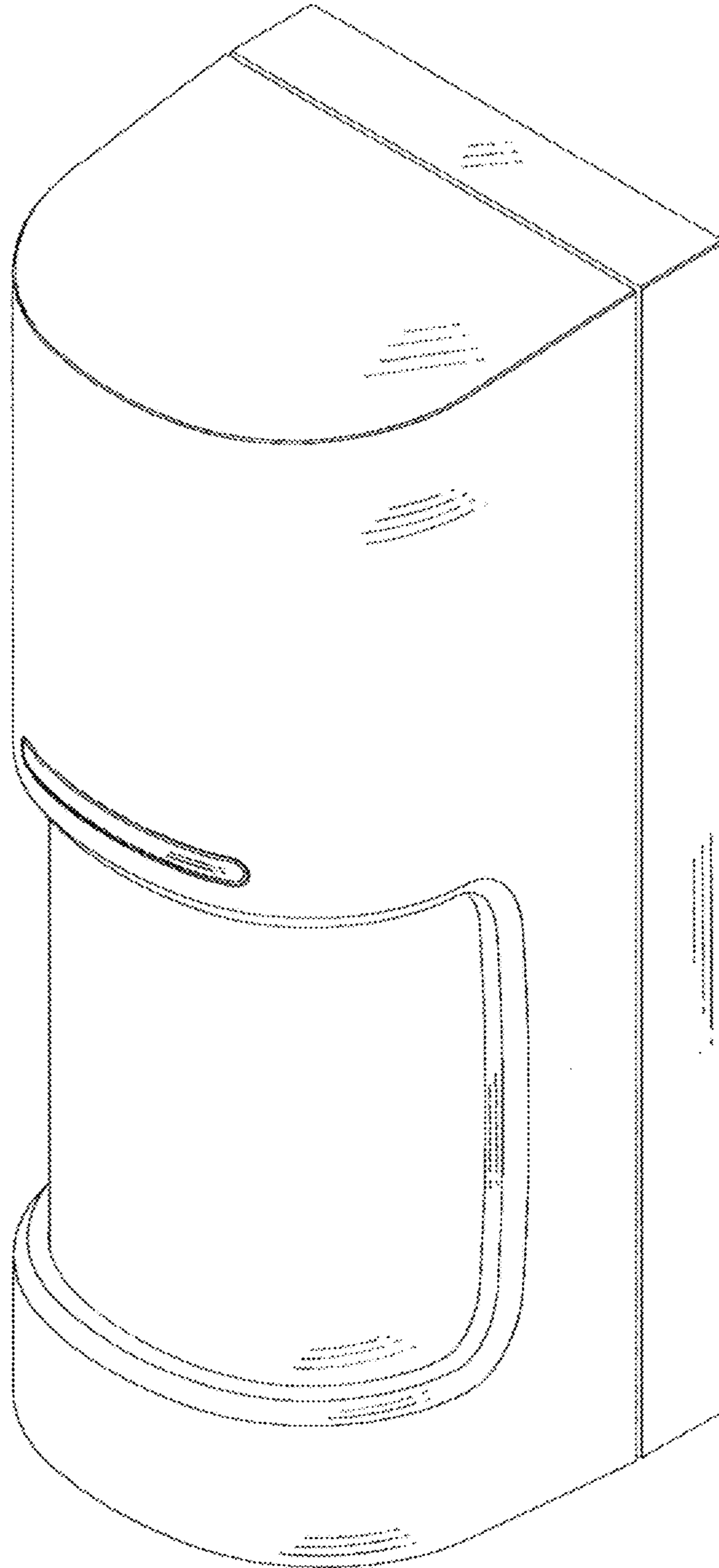
3.4



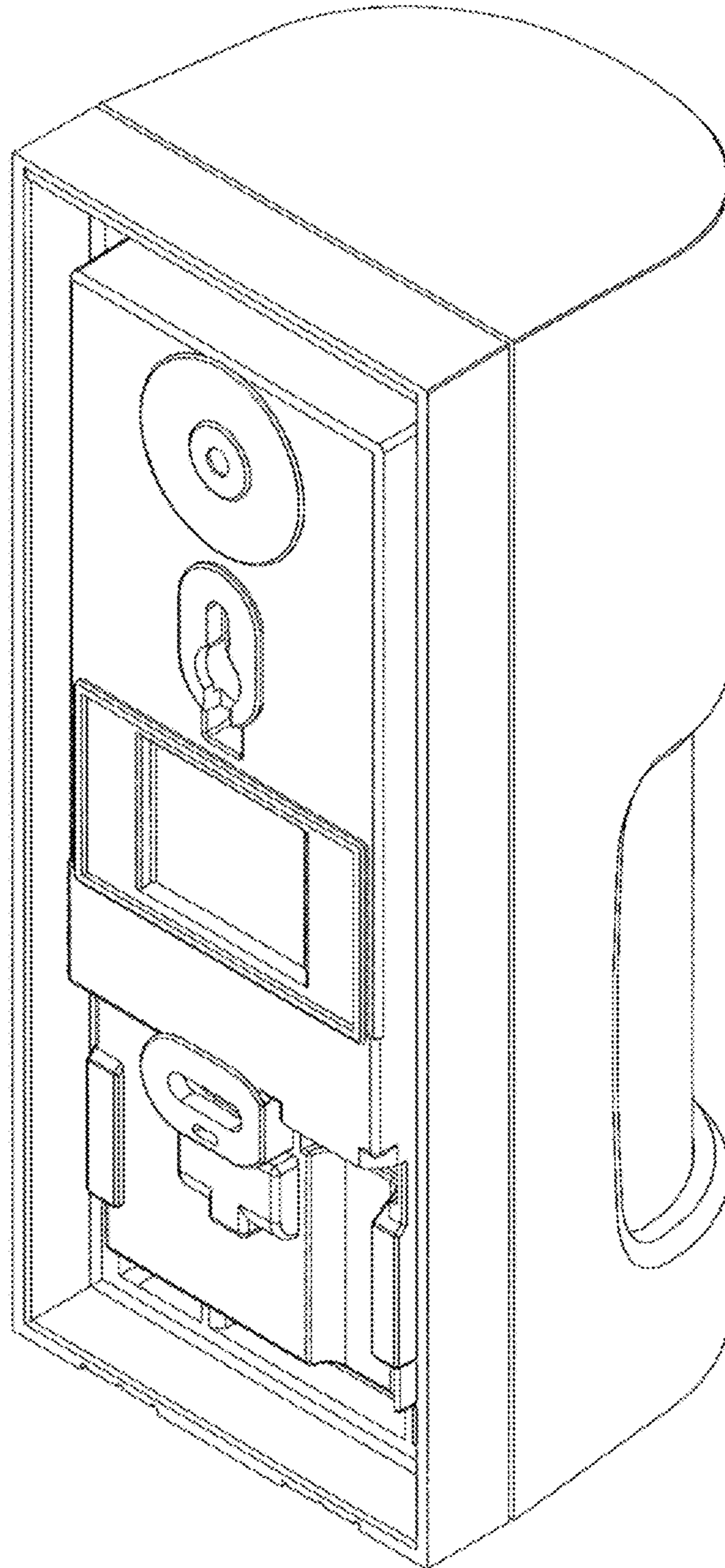
3.5



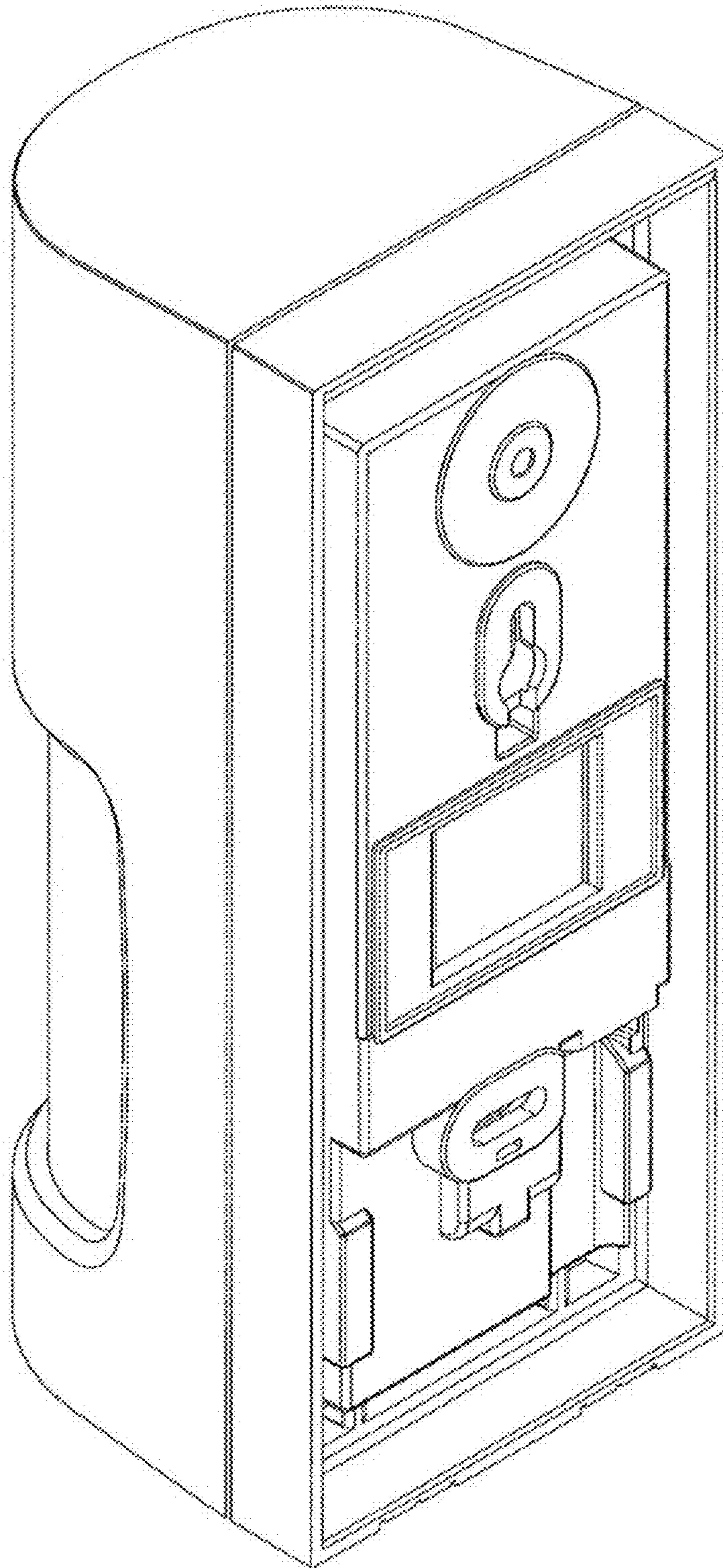
3.6



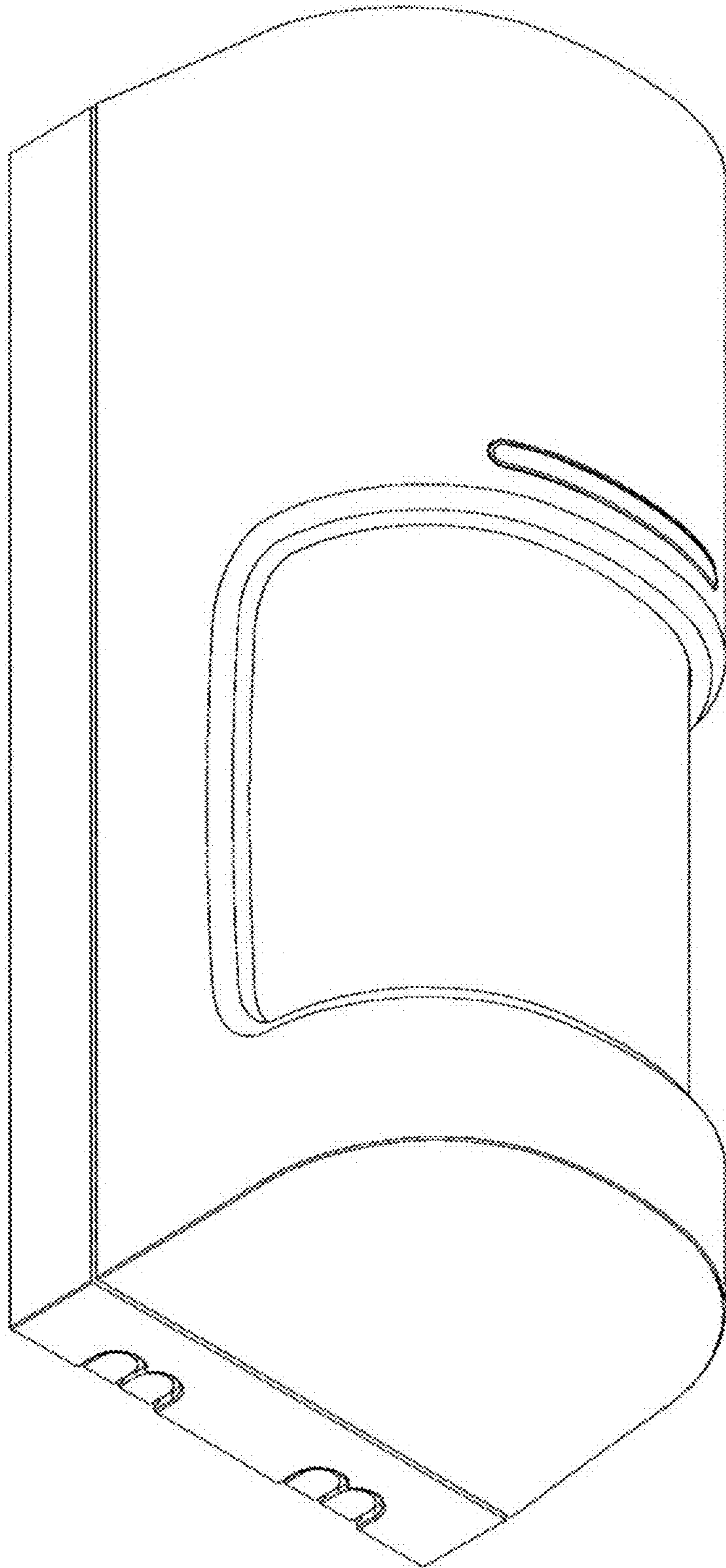
3.7



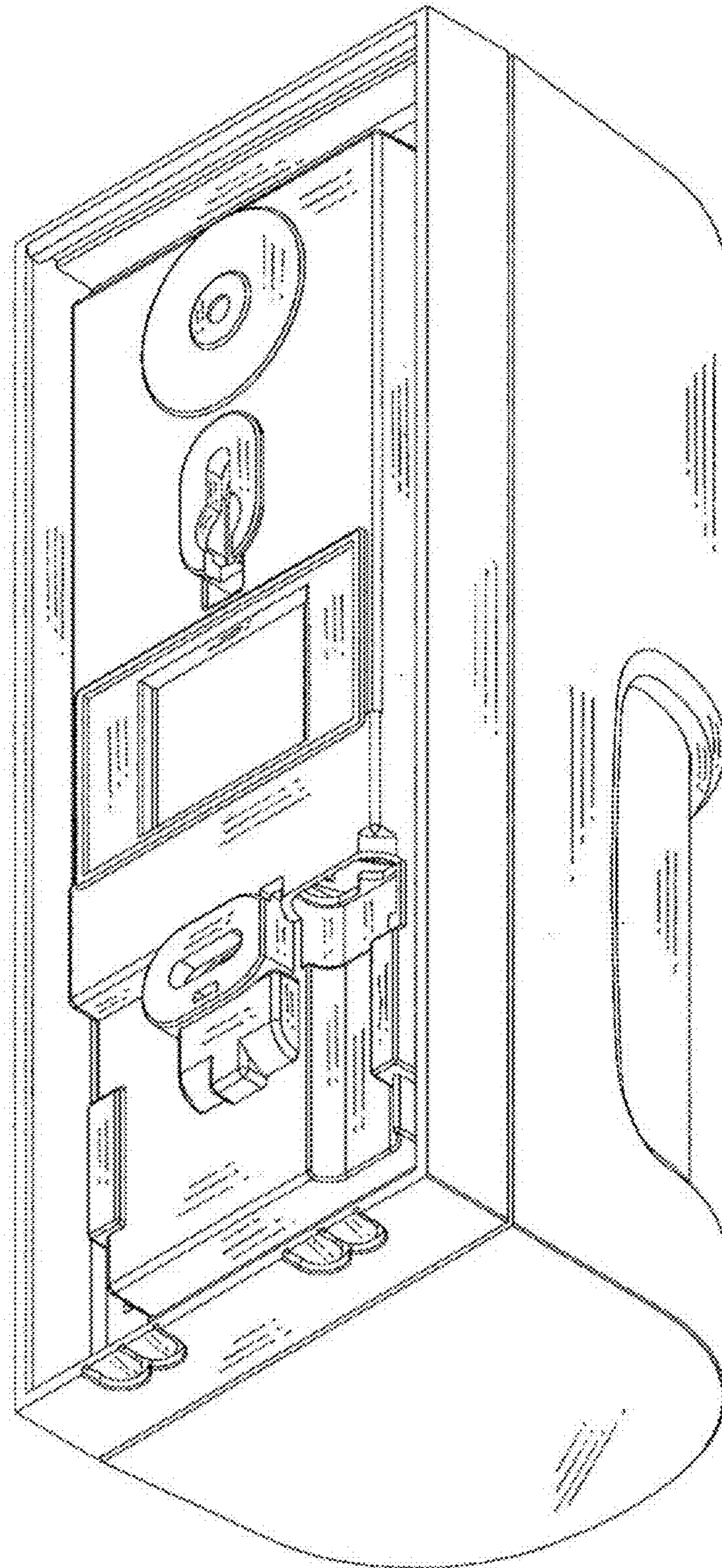
3.8



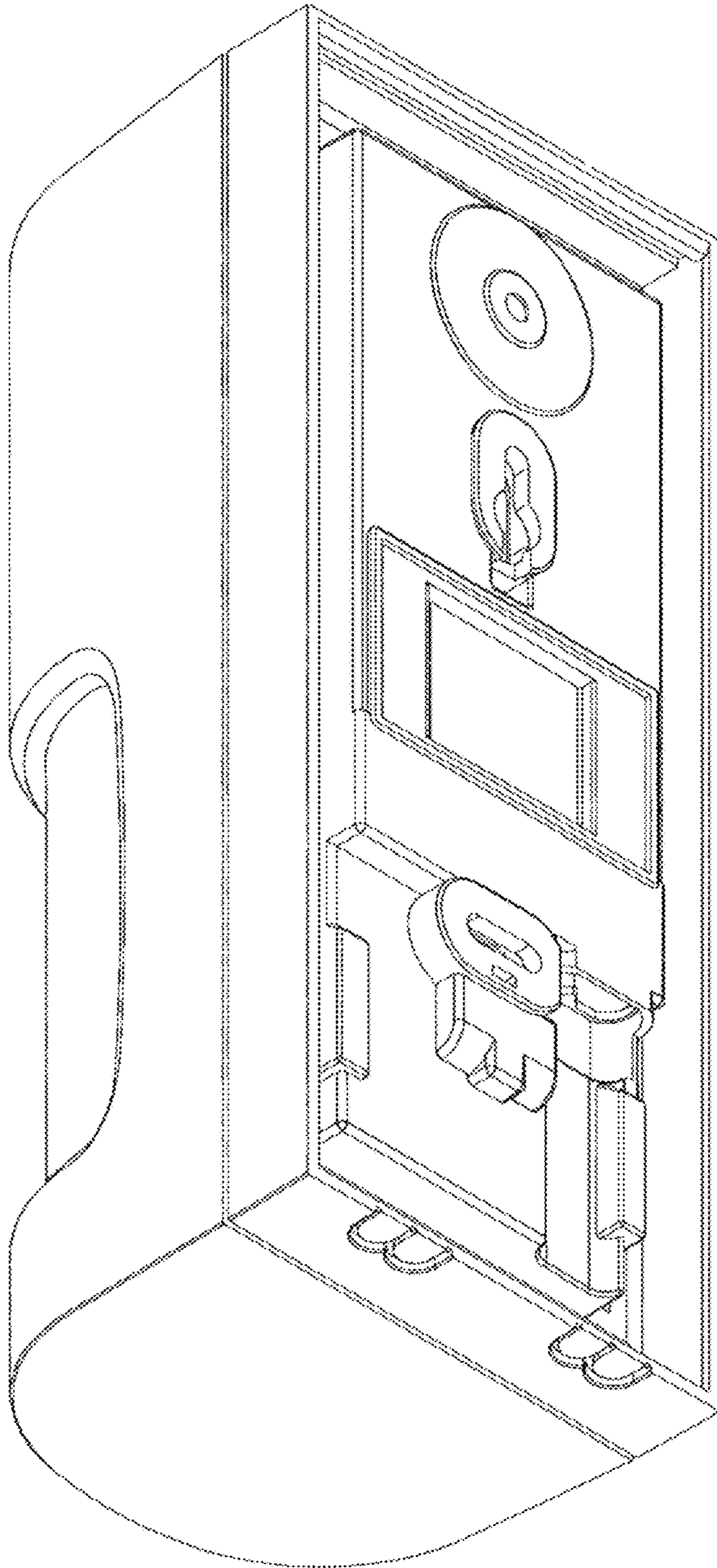
3.9



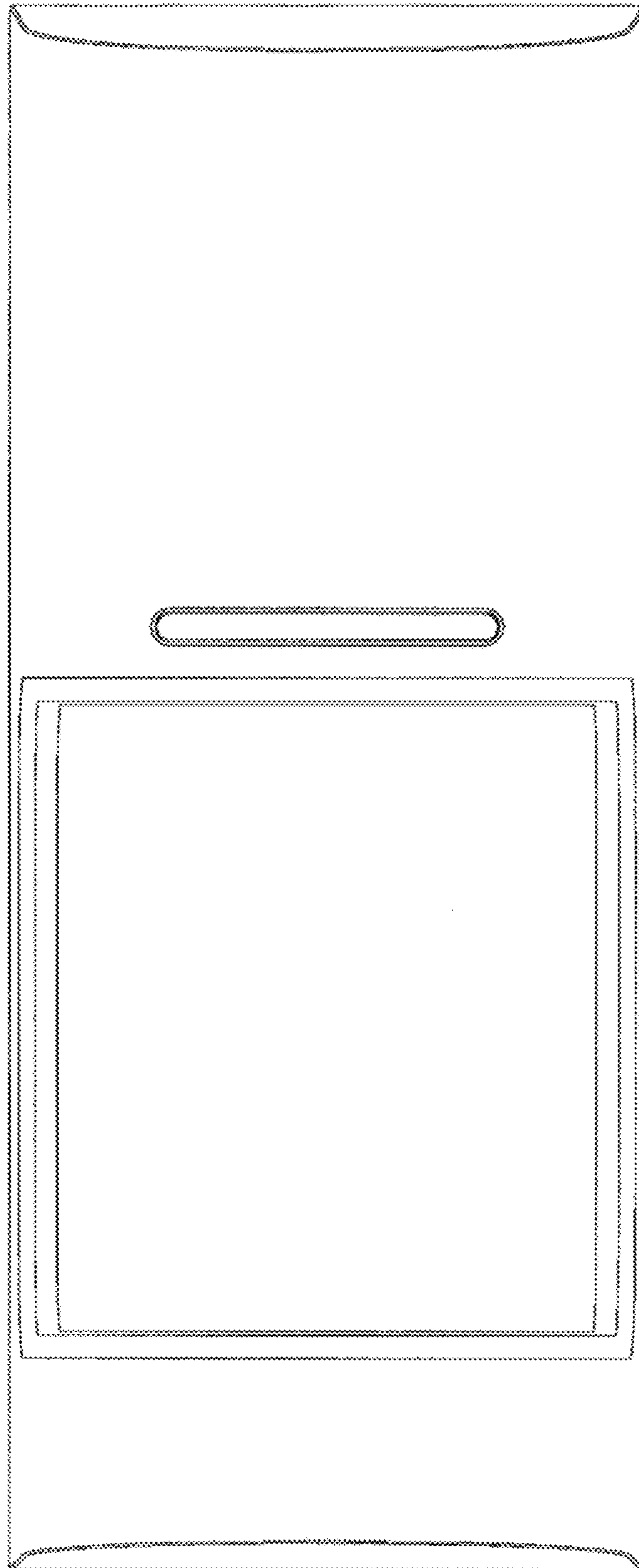
3.10



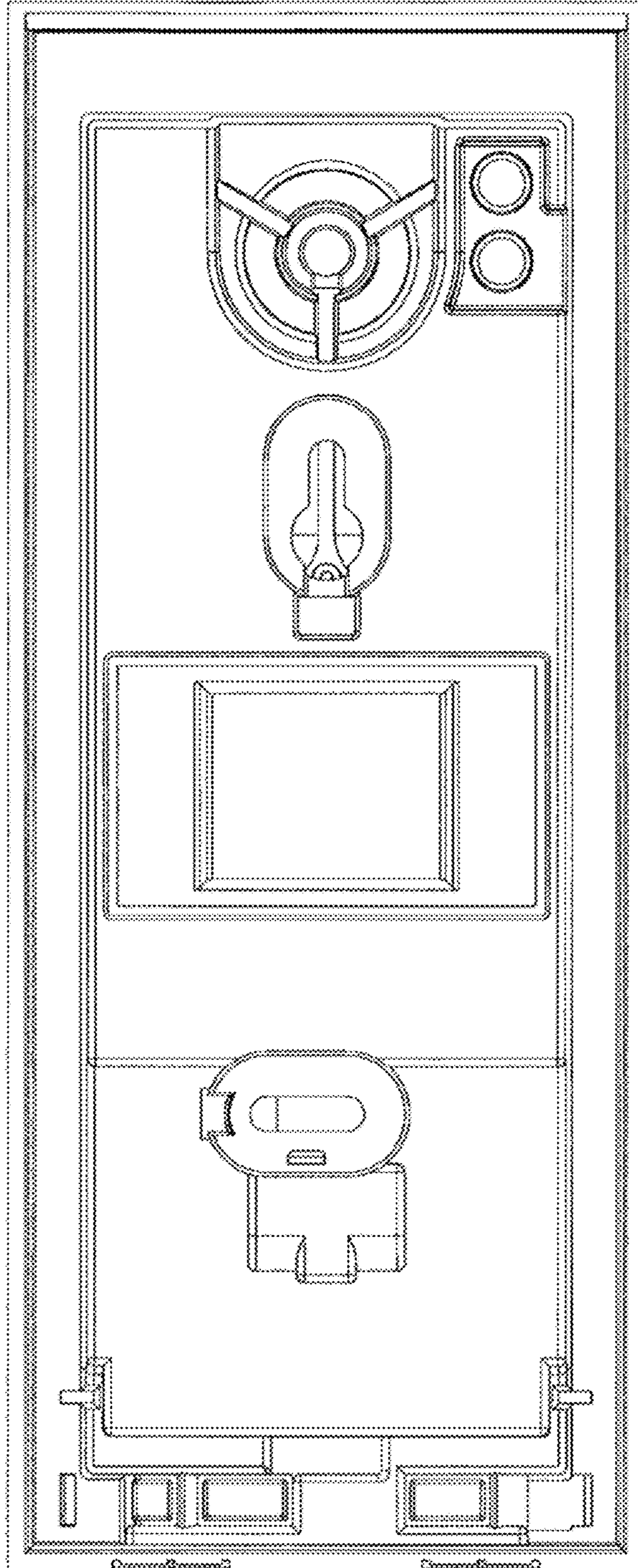
3.11



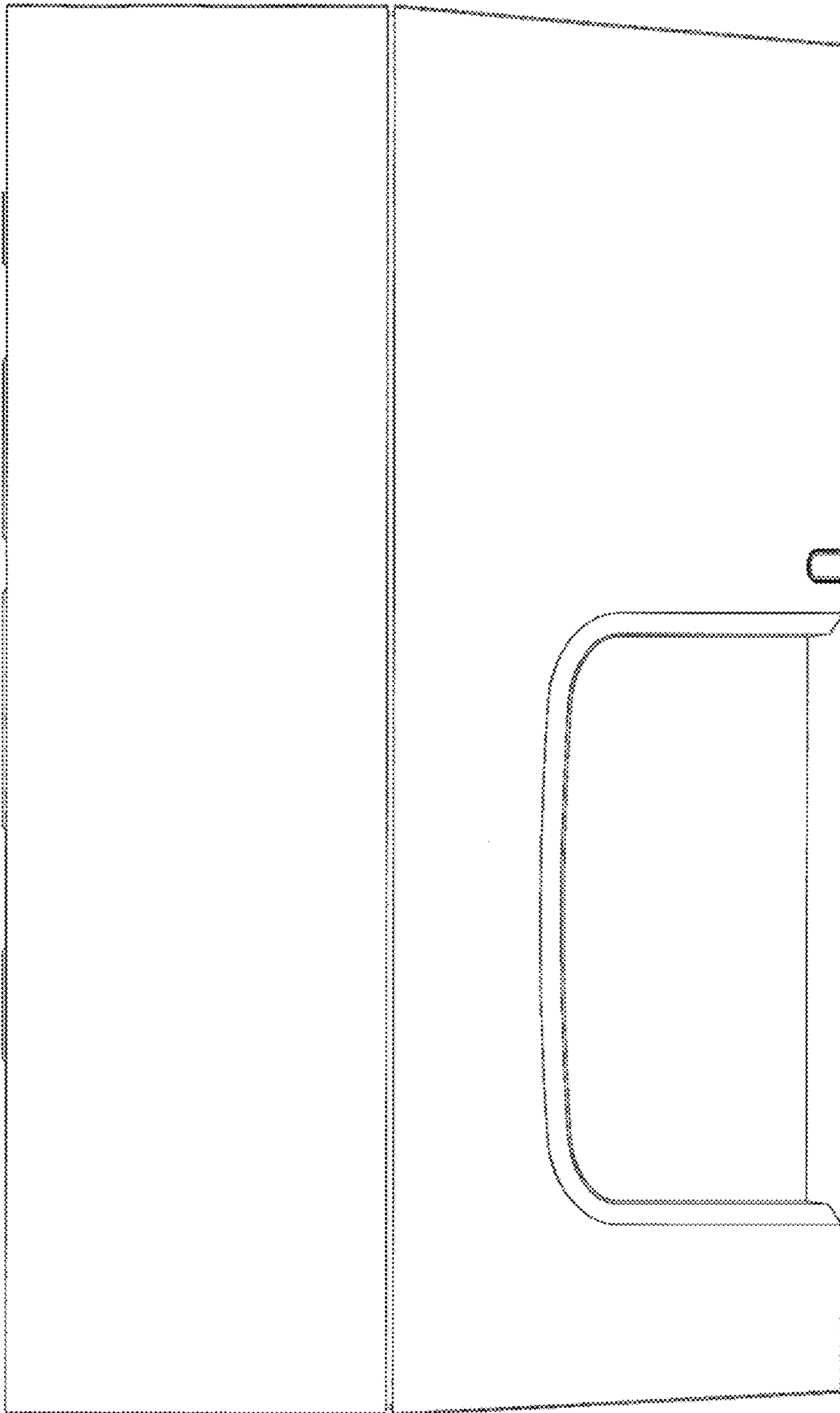
4.1



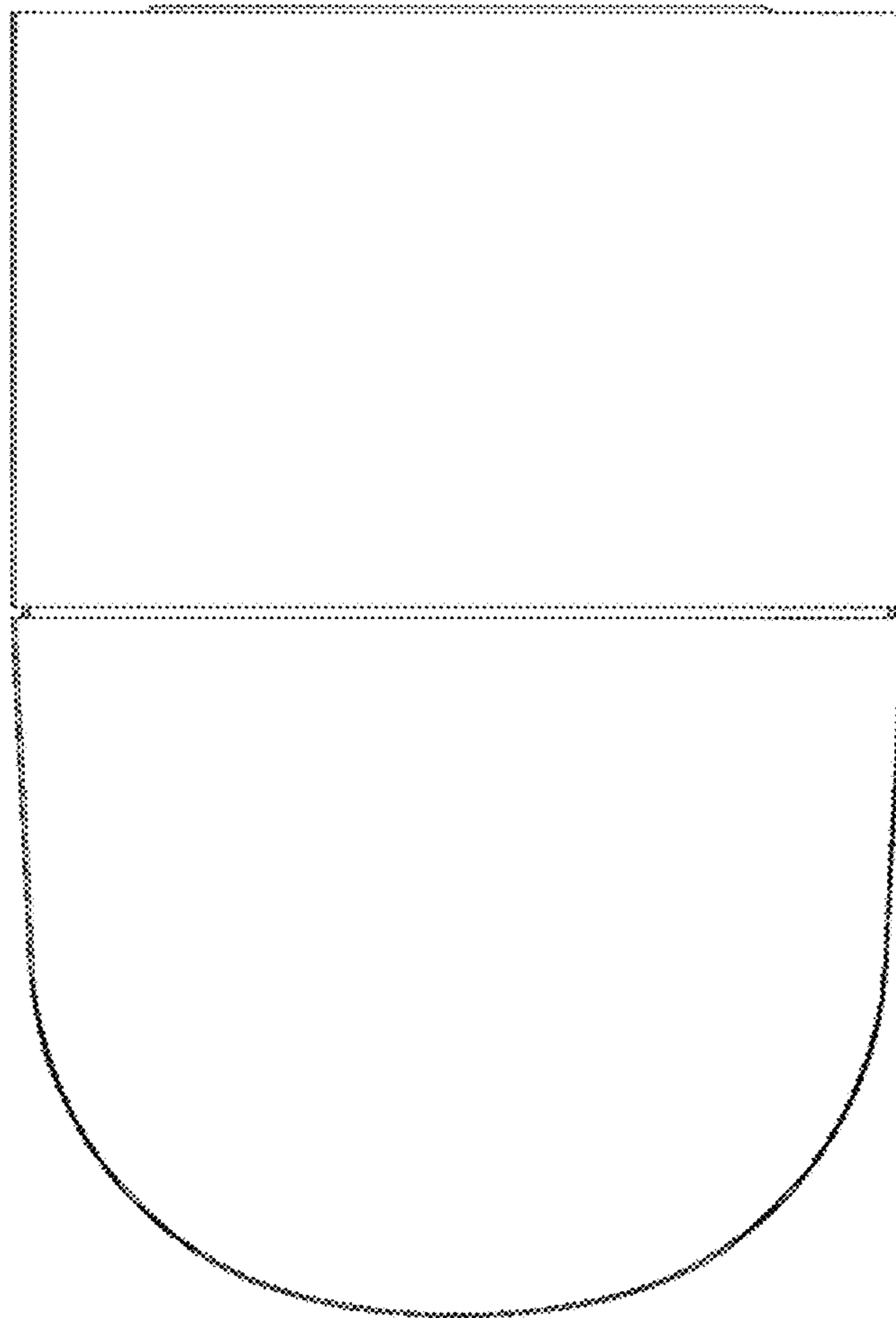
4.2



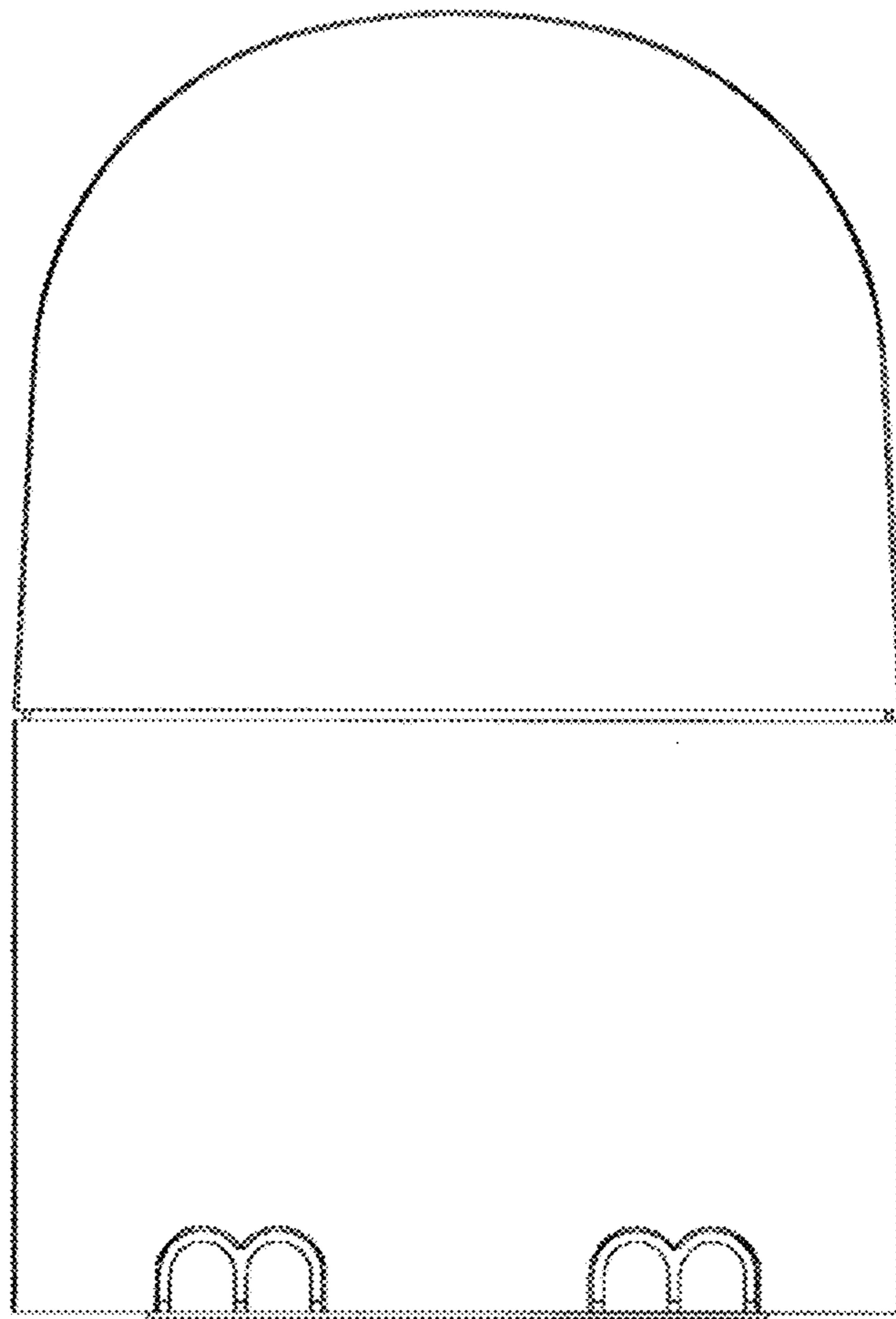
4.3



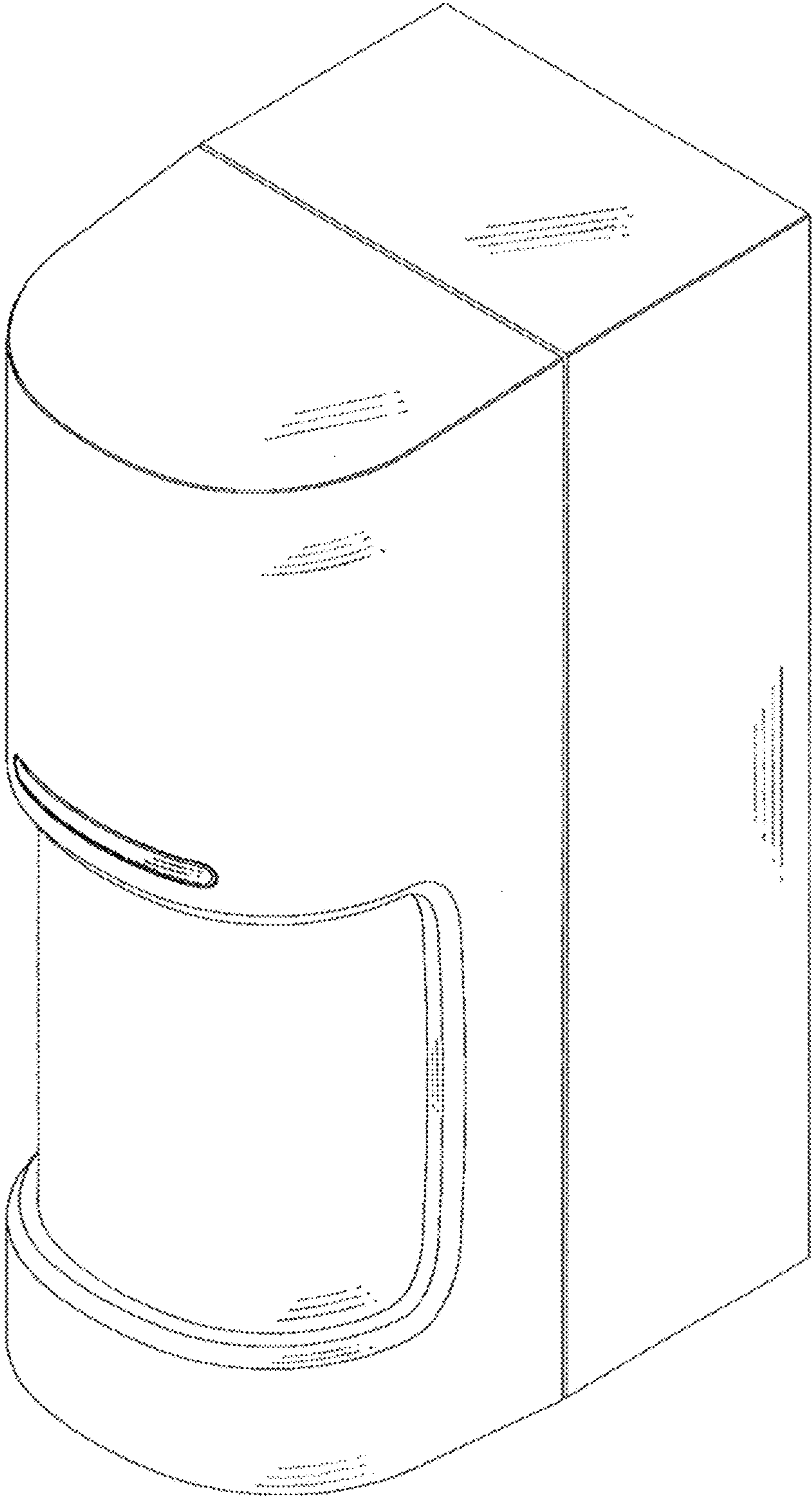
4.4



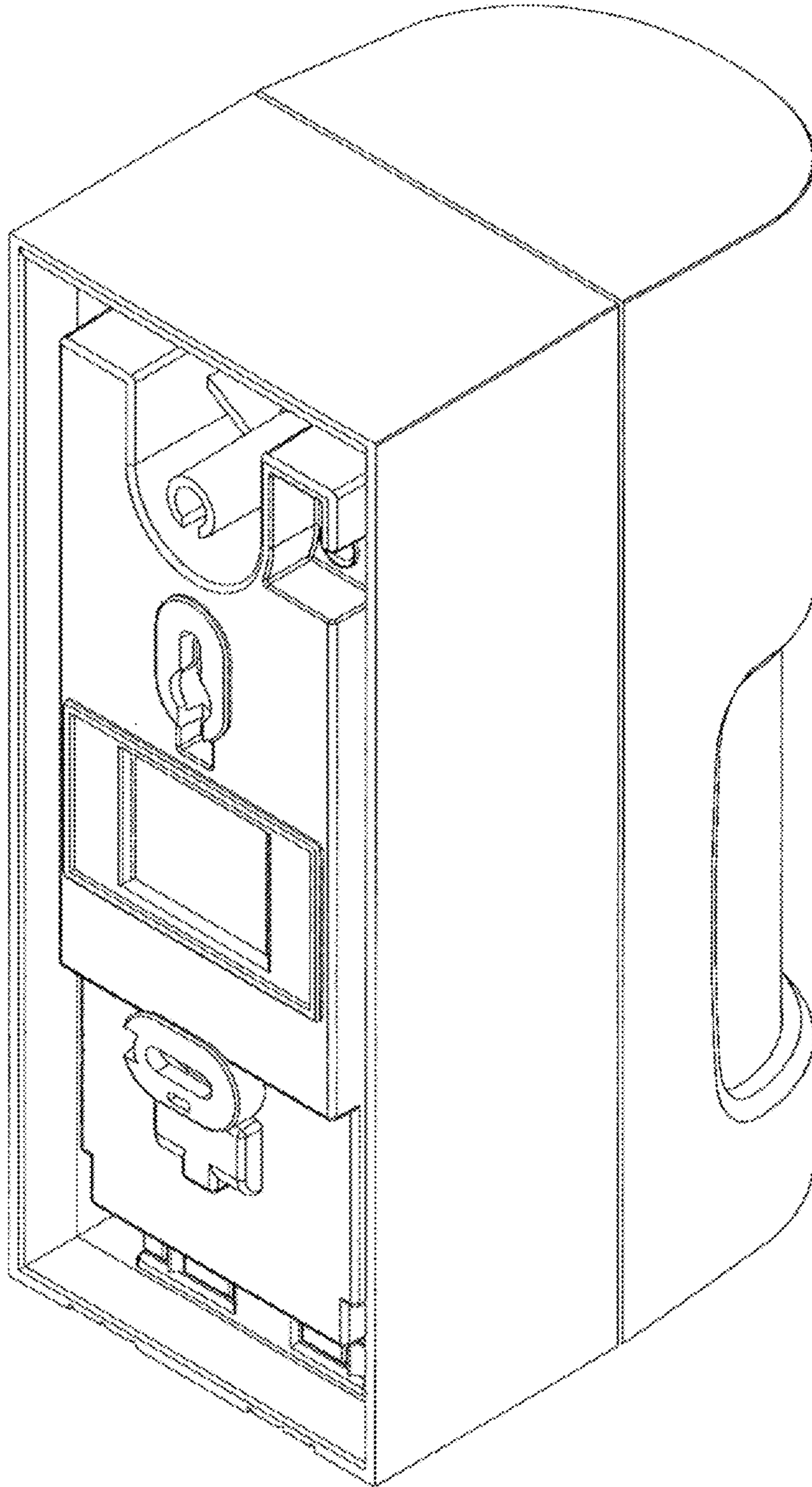
4.5



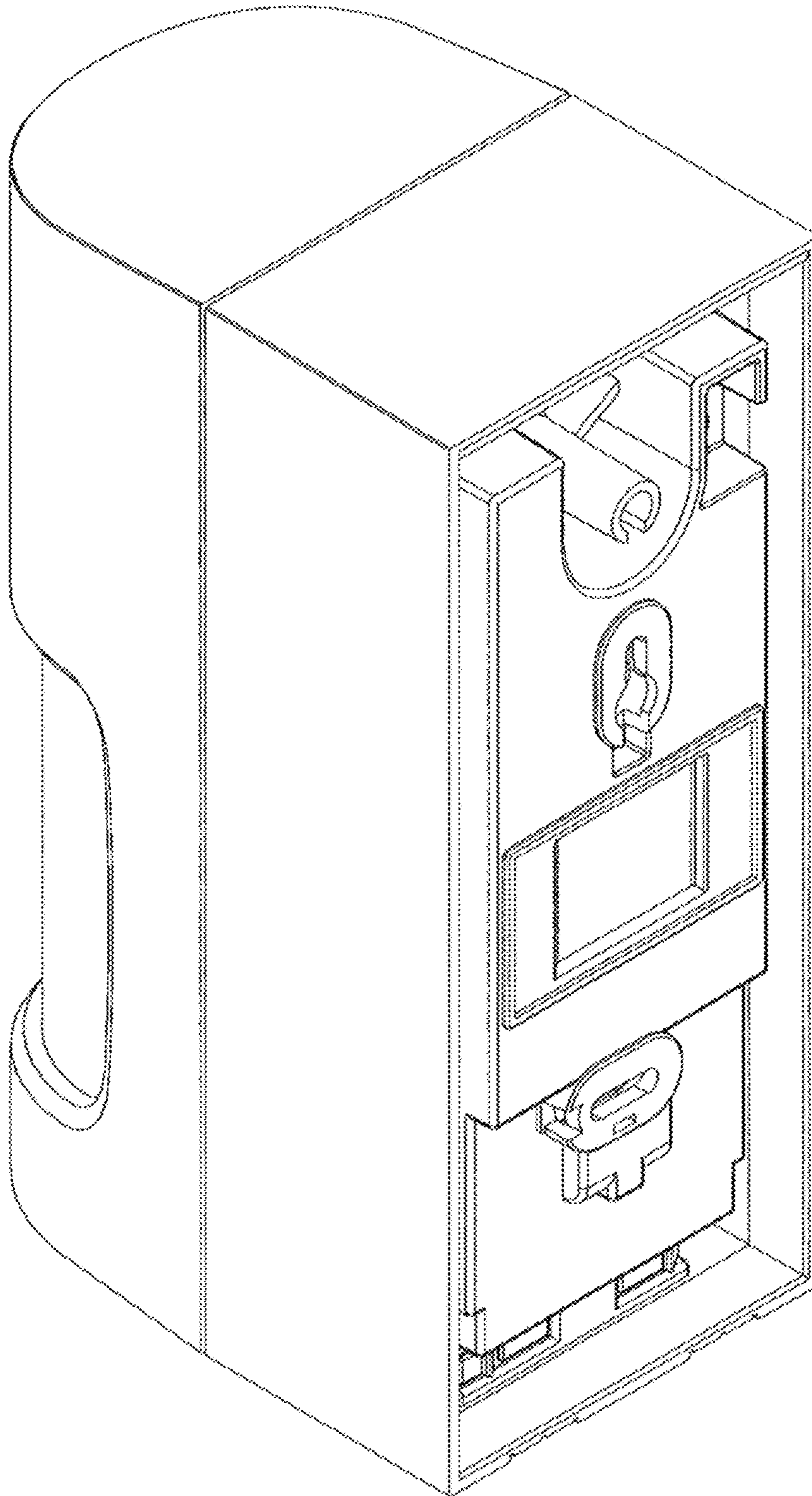
4.6



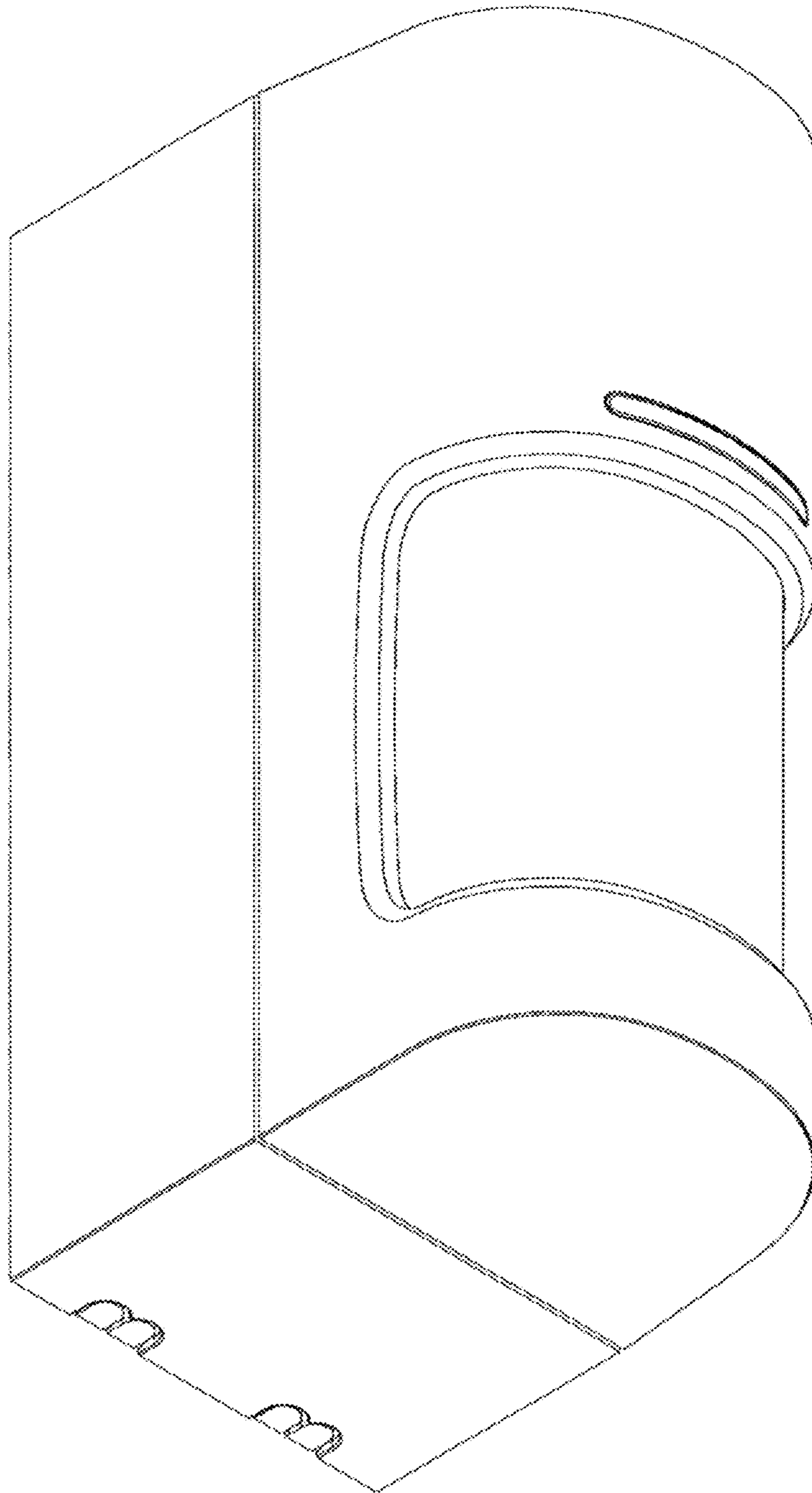
4.7



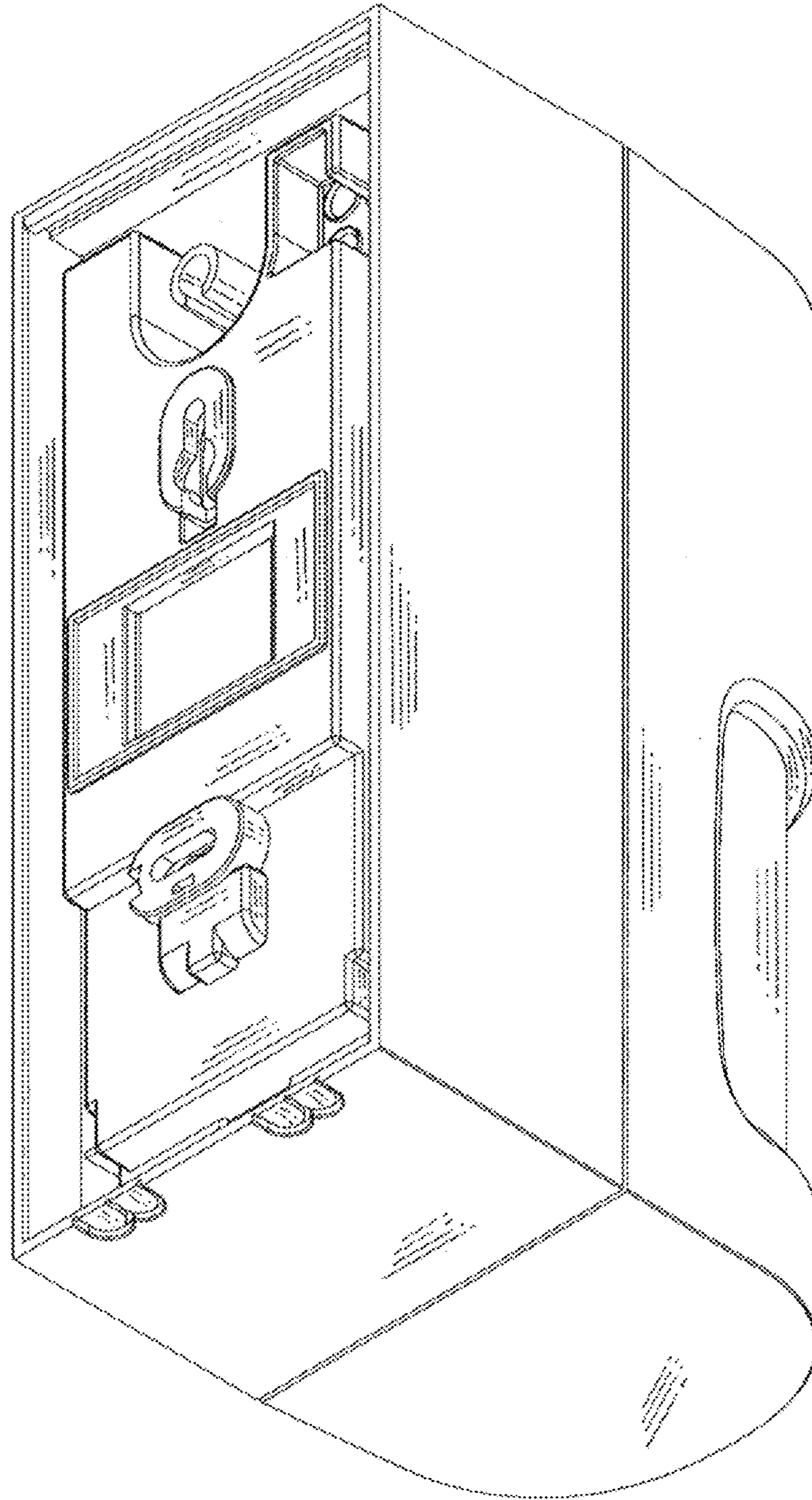
4.8



4.9



4.10



4.11

