



US00D854434S

(12) **United States Design Patent**
Blair et al.

(10) **Patent No.:** **US D854,434 S**

(45) **Date of Patent:** **** *Jul. 23, 2019**

(54) **WIRELESS SENSOR WITH DISPLAY**

D371,517 S * 7/1996 Narayanan G01M 13/028
D10/78

(71) Applicant: **Aktiebolaget SKF**, Göteborg (SE)

6,513,386 B2 * 2/2003 Barclay G01M 13/028
73/649

(72) Inventors: **Andrew Blair**, Edinburgh (GB); **Bryan L. Calderwood**, Murrieta, CA (US);
James Glencross, Edinburgh (GB);
Allan McDougall, Edinburgh (GB);
Jonathan David Murphy, Friday Harbor, WA (US)

D684,876 S * 6/2013 Laurino H04W 4/70
D10/78

D691,059 S * 10/2013 Fechner A61M 5/14244
D10/78

D692,786 S * 11/2013 Fechner D10/78

D701,130 S * 3/2014 Laurino D10/78

D731,339 S * 6/2015 Laurino D10/78

D750,985 S * 3/2016 Wong D10/78

9,759,636 B2 * 9/2017 Murphy H04W 4/70

9,775,957 B2 * 10/2017 Despa A61M 5/14244

(73) Assignee: **Aktiebolaget SKF**, Göteborg (SE)

(*) Notice: This patent is subject to a terminal disclaimer.

* cited by examiner

(**) Term: **15 Years**

Primary Examiner — George D. Kirschbaum

Assistant Examiner — Joseph J Kukella

(21) Appl. No.: **29/611,864**

(74) *Attorney, Agent, or Firm* — Bryan Peckjian; SFK

USA Inc. Patent Dept.

(22) Filed: **Jul. 26, 2017**

(30) **Foreign Application Priority Data**

(57) **CLAIM**

Jan. 27, 2017 (EM) 003718519

We claim the ornamental design for a wireless sensor with display, as shown and described.

(51) **LOC (11) Cl.** **10-04**

(52) **U.S. Cl.**
USPC **D10/78**

(58) **Field of Classification Search**
USPC D10/46, 47, 75, 78, 80, 103
CPC .. G01M 99/00; G01M 99/005; G08B 21/187;
G06K 7/10366; G06K 19/0719; G06K
2017/0077
See application file for complete search history.

DESCRIPTION

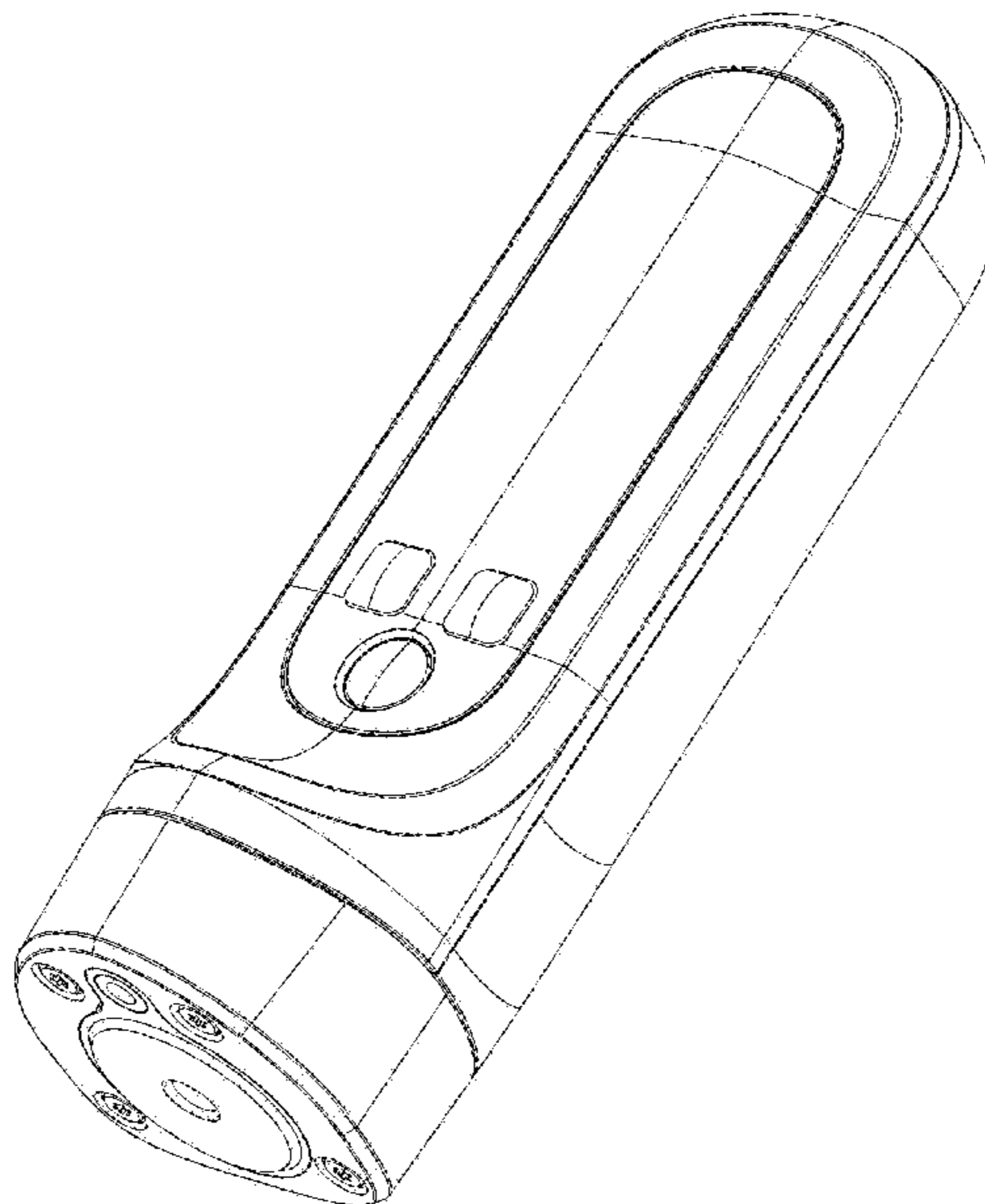
FIG. 1 is an isometric front, bottom view of a first embodiment of a wireless sensor with display;
FIG. 2 is an isometric rear, top view thereof;
FIG. 3 is a back view thereof;
FIG. 4 is a left side view thereof;
FIG. 5 is a right side view thereof;
FIG. 6 is a front view thereof;
FIG. 7 is a top view thereof; and,
FIG. 8 is a bottom view thereof.

(56) **References Cited**

U.S. PATENT DOCUMENTS

D299,318 S * 1/1989 Chiang D10/103
D358,347 S * 5/1995 Max D10/46

1 Claim, 8 Drawing Sheets



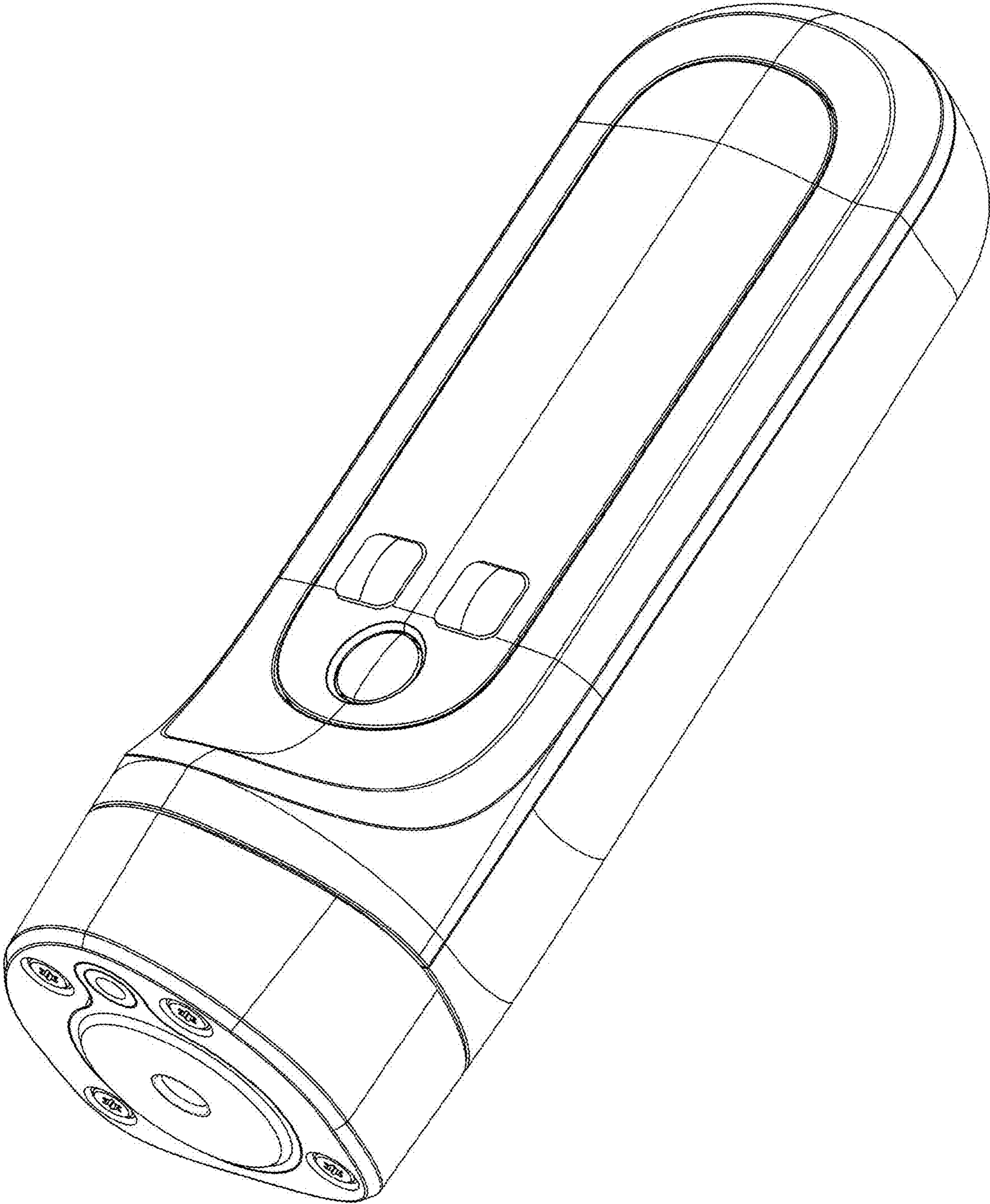


FIG. 1

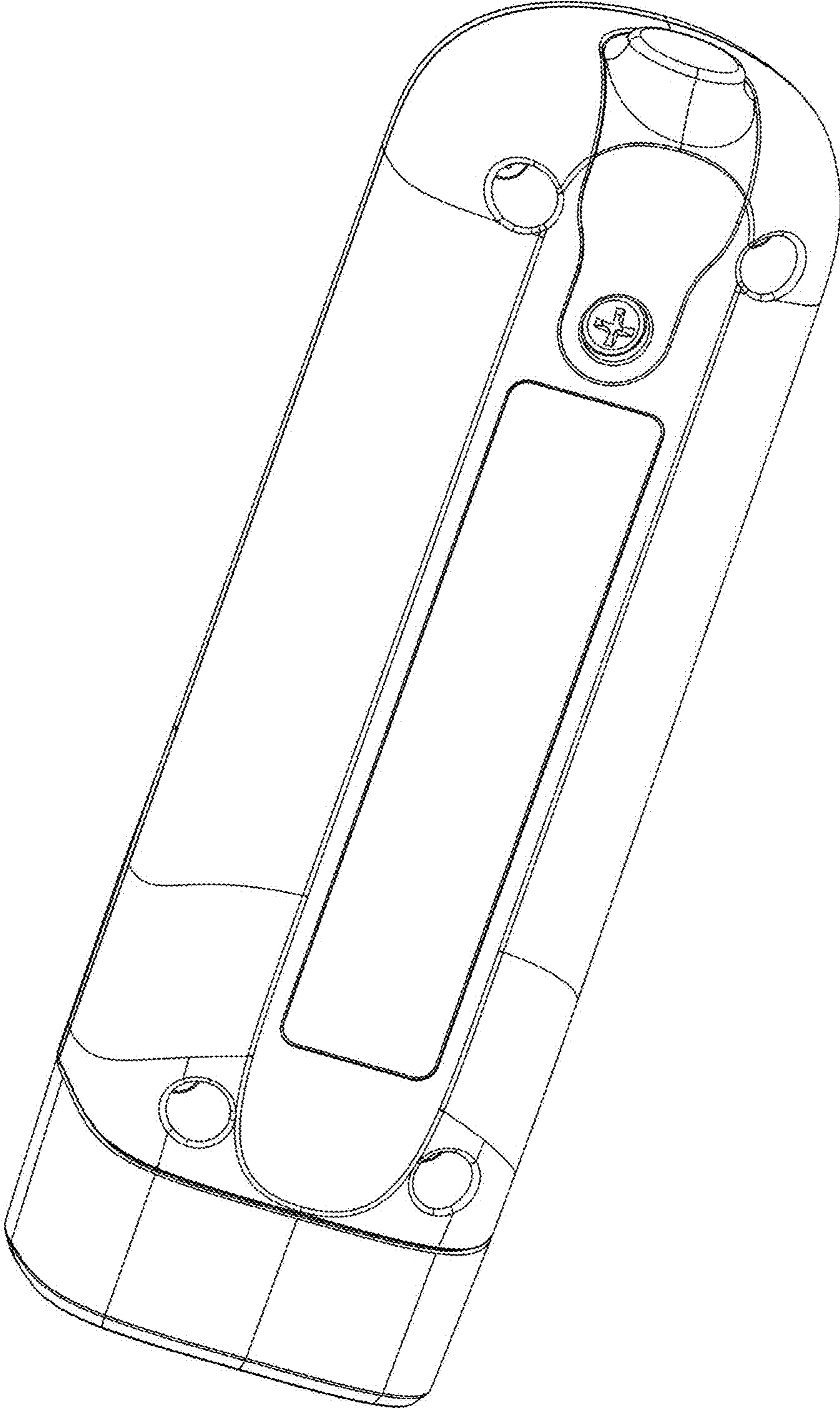


FIG. 2

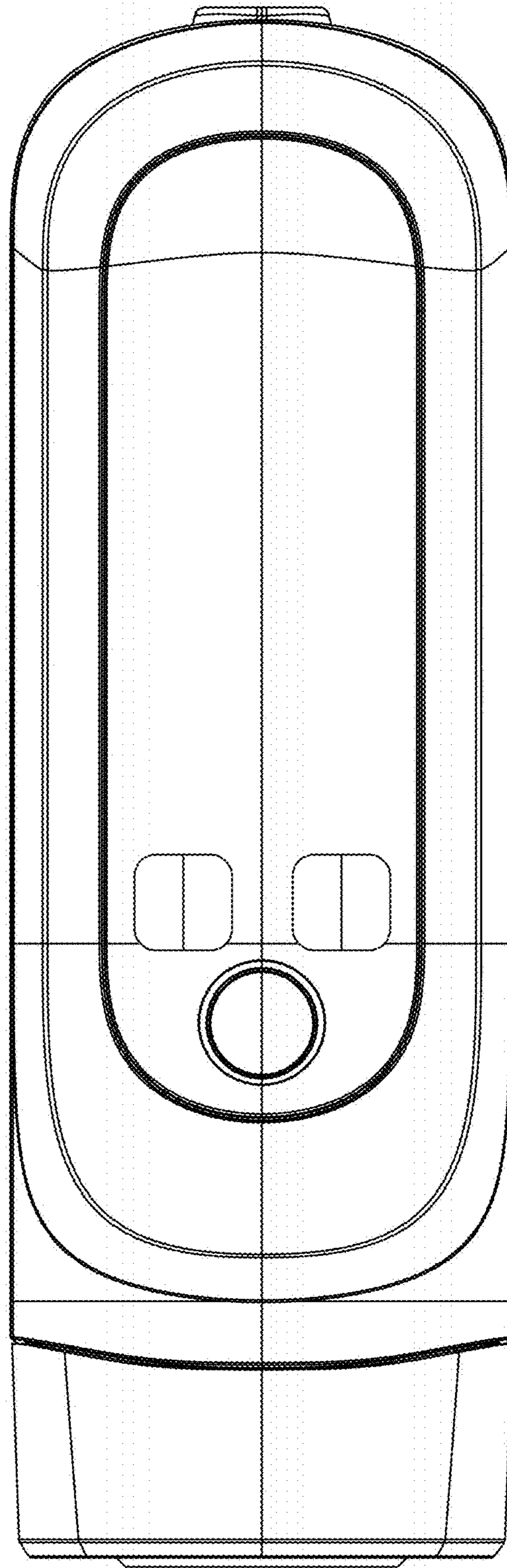


FIG. 3

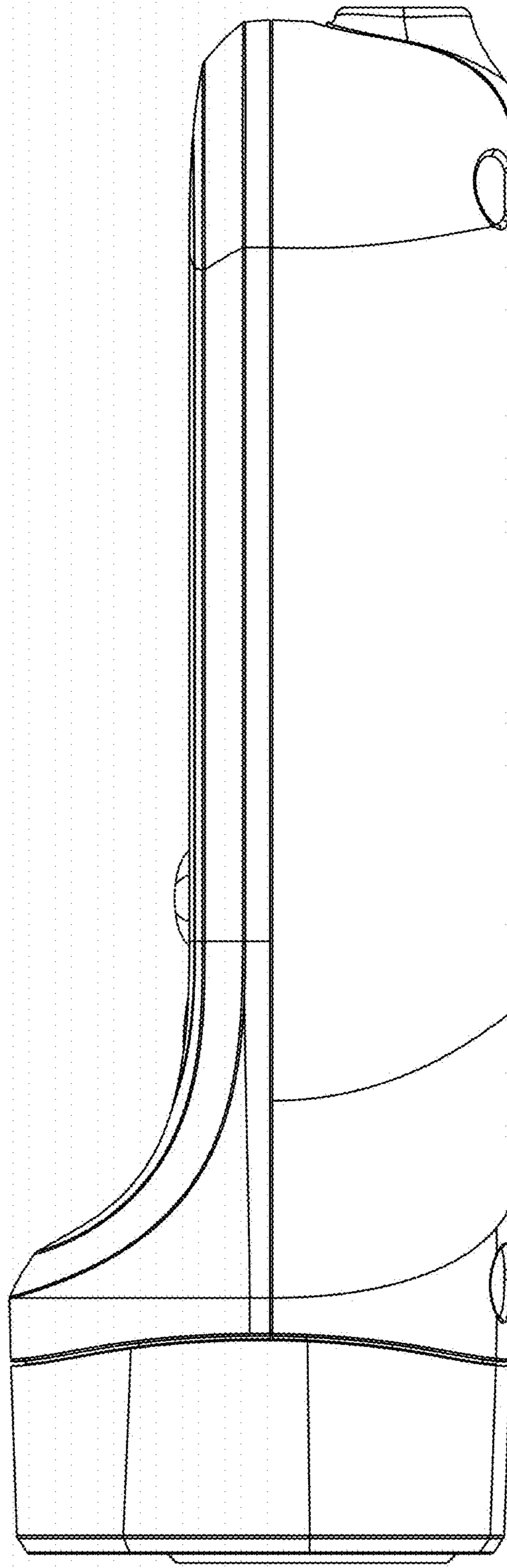


FIG. 4

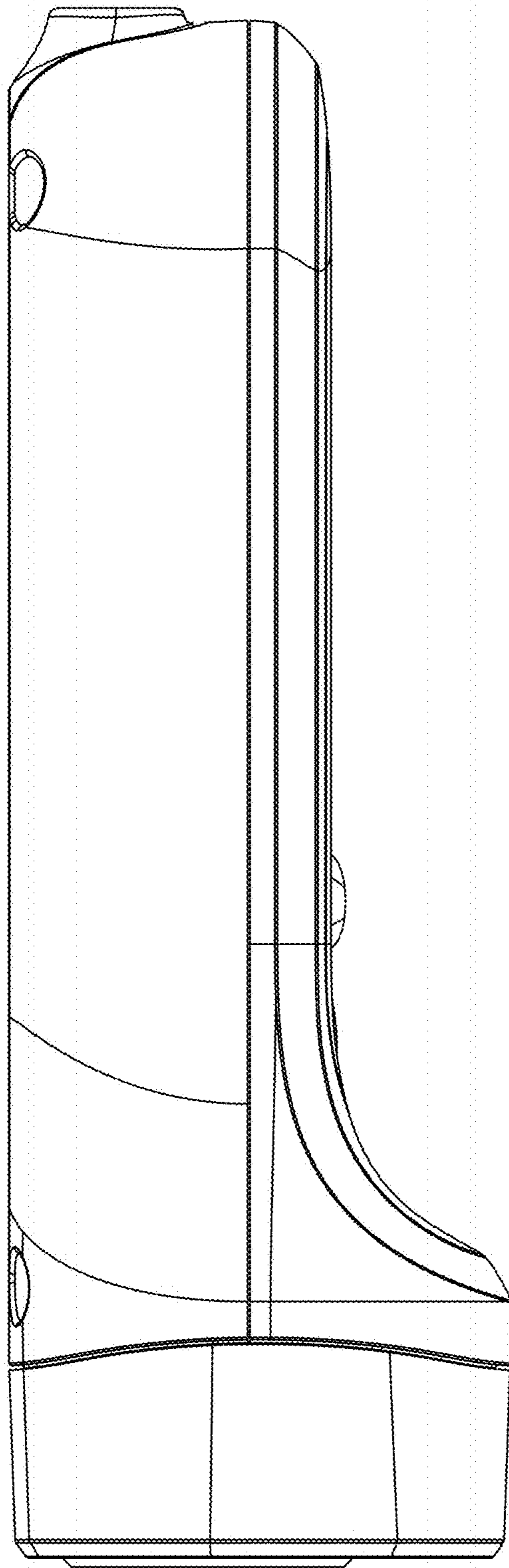


FIG. 5

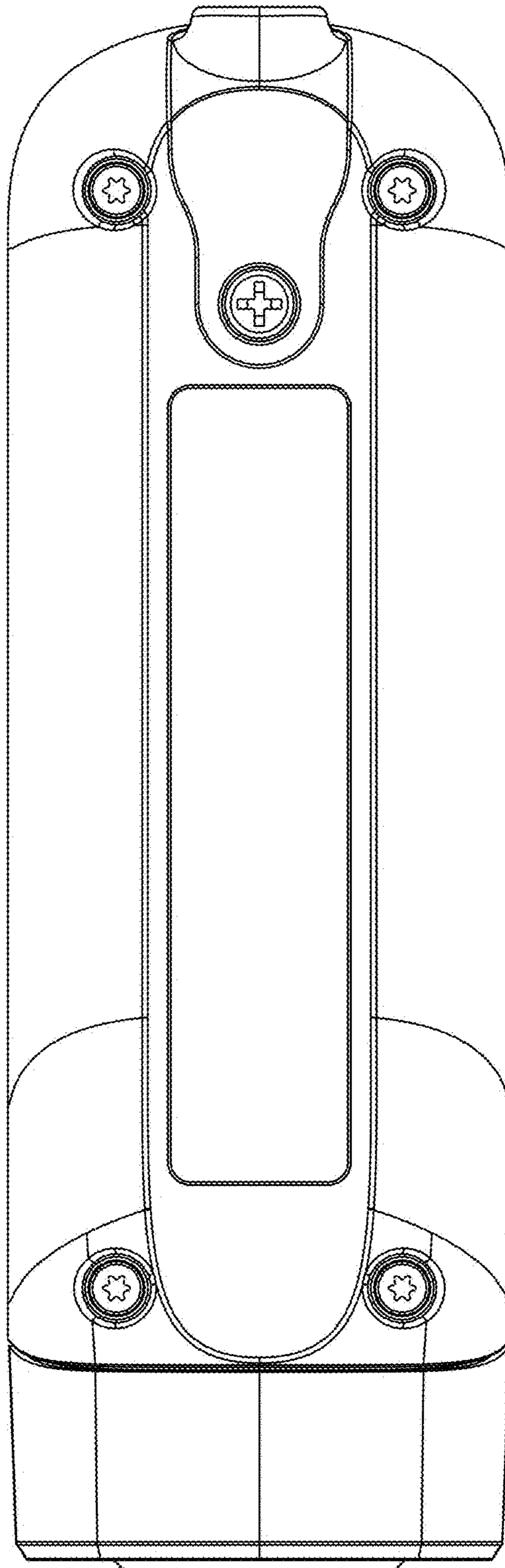


FIG. 6

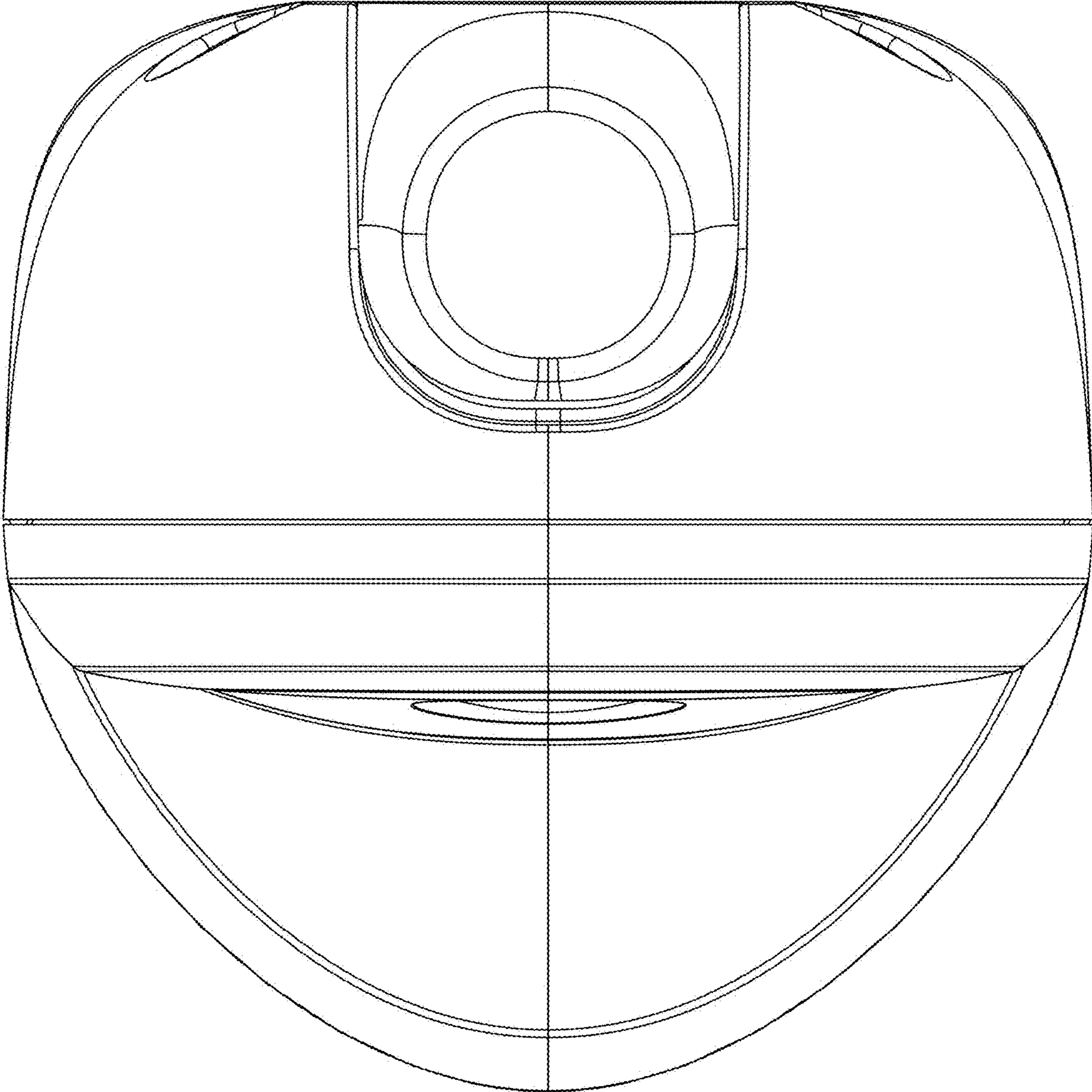


FIG. 7

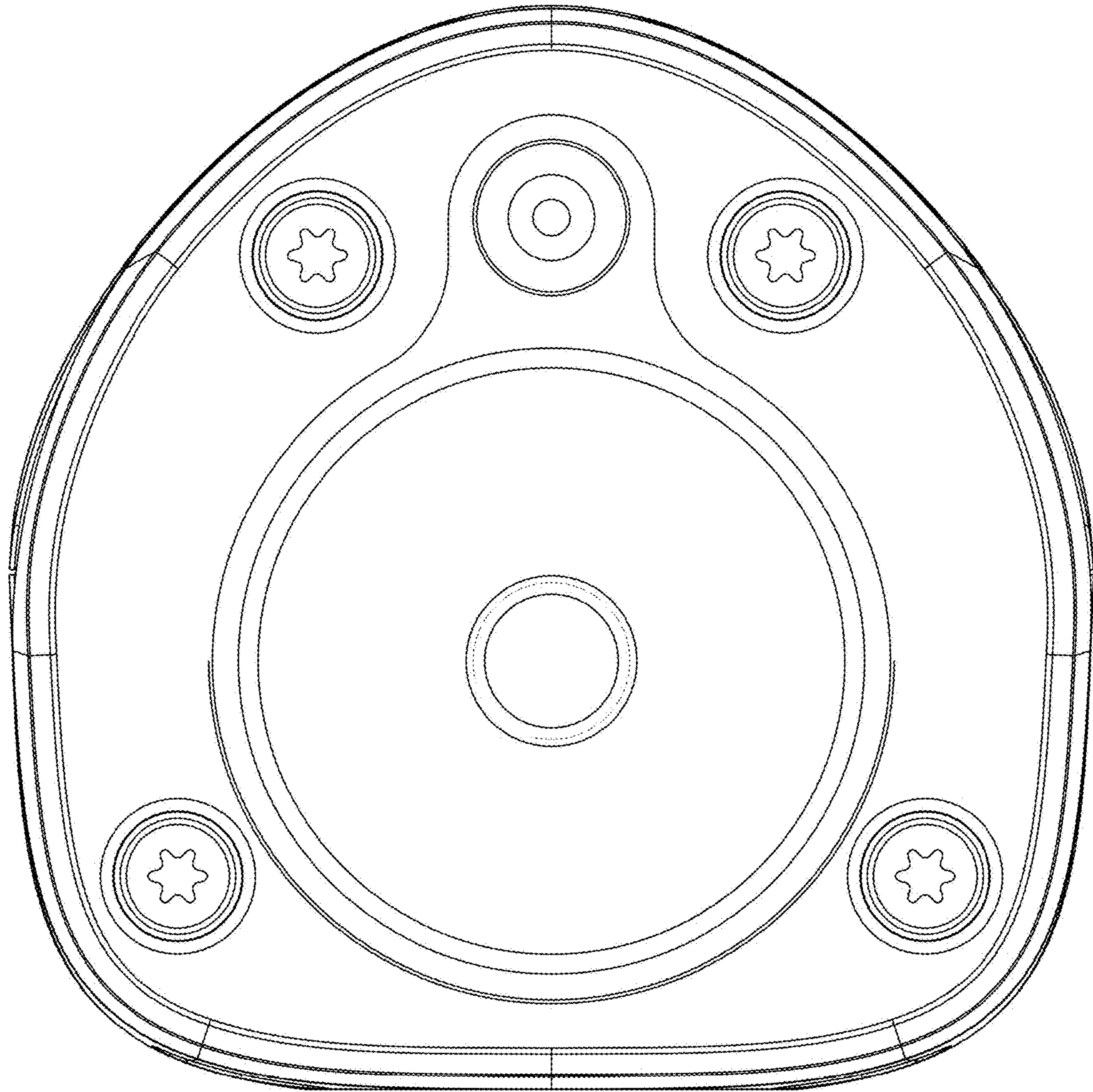


FIG. 8