



US00D854433S

(12) **United States Design Patent** (10) **Patent No.:** **US D854,433 S**
Vandenbussche et al. (45) **Date of Patent:** **** Jul. 23, 2019**

(54) **LOW-PROFILE FITNESS MONITORING CAPSULE**

FOREIGN PATENT DOCUMENTS

(71) Applicant: **Fitbit, Inc.**, San Francisco, CA (US)

CN 207613311 U 7/2018
CN 304828368 S 9/2018

(72) Inventors: **Gregoire Ludovic Vincent Vandenbussche**, San Francisco, CA (US); **Brian Dennis Paschke**, San Francisco, CA (US); **Chadwick John Harber**, San Francisco, CA (US); **Jonah Avram Becker**, San Francisco, CA (US)

OTHER PUBLICATIONS

U.S. Appl. No. 29/572,967, filed Aug. 1, 2016, applicant Fitbit, Inc.
(Continued)

(73) Assignee: **Fitbit, Inc.**, San Francisco, CA (US)

Primary Examiner — Antoine Duval Davis
(74) *Attorney, Agent, or Firm* — Polson Intellectual Property Law, PC; Margaret Polson

(**) Term: **15 Years**

(21) Appl. No.: **29/674,453**

(57) **CLAIM**

(22) Filed: **Dec. 21, 2018**

We claim the ornamental design for a low-profile fitness monitoring capsule, as shown and described.

Related U.S. Application Data

(63) Continuation of application No. 29/625,052, filed on Nov. 7, 2017, now Pat. No. Des. 843,864.

DESCRIPTION

(51) **LOC (11) Cl.** **10-04**

(52) **U.S. Cl.**
USPC **D10/70; D10/38; D10/78; D10/97; D14/344; D24/167; D24/186**

(58) **Field of Classification Search**
USPC D10/30, 31, 32, 38, 39, 70, 78, 97, 98; D14/203.5, 344; D24/167, 186
CPC G04B 19/00-19/34; G04B 21/12; G04B 23/12; G04B 37/00-37/228; G04B 47/00-47/068; G04B 45/0069; G01C 17/00; G01C 21/00-21/3697; G01C
(Continued)

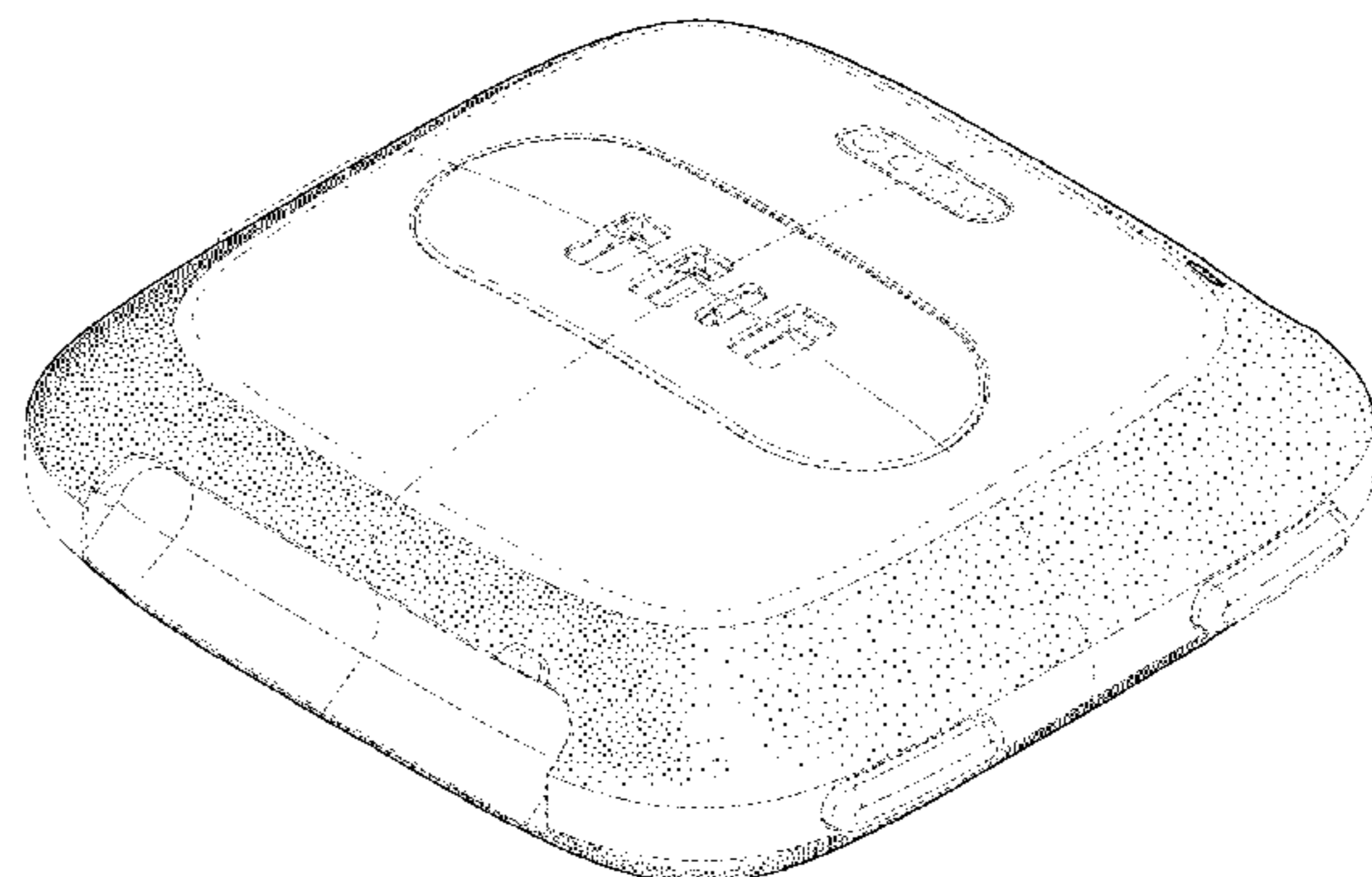
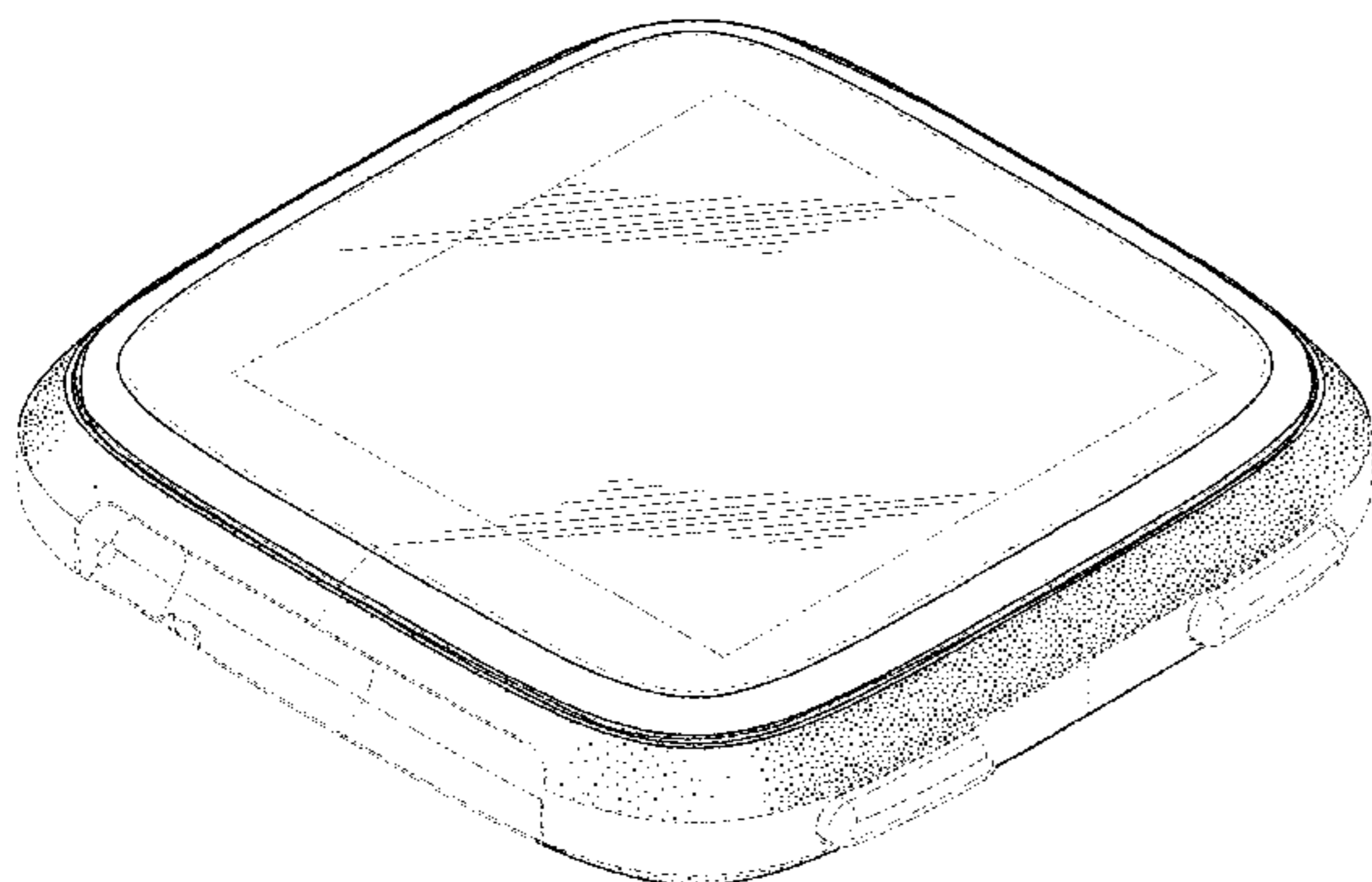
FIG. 1 is an isometric view of a low-profile fitness monitoring capsule.
FIG. 2 is front view of FIG. 1.
FIG. 3 is a back view of FIG. 1.
FIG. 4 is a top view of FIG. 1.
FIG. 5 is a side view of FIG. 1.
FIG. 6 is an opposite side view of FIG. 1.
FIG. 7 is a bottom view of FIG. 1.
FIG. 8 is an off-angle view of FIG. 1.
FIG. 9 is a different off-angle view of FIG. 1; and, FIG. 10 is yet another off-angle view of FIG. 1.
Stipple shading is used in all of the accompanying Figures to convey surface contouring and not texture. The broken lines shown in the drawings illustrate portions of the design that form no part of the claimed design. Surfaces that do not include stipple shading and are bounded, at least in part, by broken lines form no part of the claimed design.

(56) **References Cited**

U.S. PATENT DOCUMENTS

4,106,677 A 8/1978 Helms et al.
D261,733 S 11/1981 Iida
(Continued)

1 Claim, 4 Drawing Sheets



(58) **Field of Classification Search**

CPC 22/00–22/025; G01C 23/00–23/005; G01C 21/16; G06F 19/3481; G06F 3/00–3/027; G06F 1/163; G01P 1/00–1/26; G01P 15/00–15/18; A63B 24/00–2024/0096; A63B 2213/00; A63B 69/0028; A63B 2071/0658–2071/0666; A63B 2220/00–2220/89; A63B 2225/02; A61B 5/681; A61B 5/6824; A61B 5/6825; A61B 5/6826; A61B 5/0537; A61B 5/4872; A61B 5/6831; A61B 5/4869; A61B 5/0858; A61B 5/1075; A61B 5/107; A61B 5/4875; A61B 5/4878; A61B 5/4881; A61B 5/61–5/6898; A63C 11/02; A44C 5/00–5/16; G04R 20/02; G04C 10/00; G04C 10/02; G08B 21/0269; G08B 21/0272; G08B 21/0286; G08B 21/0288; G08B 21/0291; G08B 21/04–21/2454; G01S 19/00–19/55; G04G 9/0064; G04G 9/0005

See application file for complete search history.

(56) **References Cited**

U.S. PATENT DOCUMENTS

D264,946 S 6/1982 Hirabayashi
 4,417,821 A 11/1983 Herchenbach
 D528,439 S * 9/2006 Burton D10/32
 D528,928 S * 9/2006 Burton D10/38
 D584,120 S * 1/2009 Smith D8/50
 D589,375 S 3/2009 Tang
 D632,984 S 2/2011 Register et al.
 D637,097 S 5/2011 Tseng
 D644,542 S 9/2011 Henne et al.
 D645,360 S 9/2011 Kiser et al.
 D665,680 S 8/2012 Shigeno et al.
 D693,248 S 11/2013 Anderssen et al.
 D693,249 S 11/2013 Anderssen et al.
 D715,167 S 10/2014 Brusse
 D717,678 S 11/2014 Anderssen et al.
 D719,123 S 12/2014 Park et al.
 D720,074 S 12/2014 Suvilaakso et al.
 8,942,070 B1 1/2015 Shah
 D728,624 S * 5/2015 Akana D14/496
 D729,237 S 5/2015 Fagnot
 D729,653 S 5/2015 Nuovo et al.
 D731,482 S 6/2015 Song
 D732,022 S 6/2015 Song
 D736,652 S 8/2015 Isaacs et al.
 D737,158 S * 8/2015 Akana D10/32
 D728,562 S 9/2015 Park et al.
 D741,726 S * 10/2015 Akana D10/30
 D744,356 S * 12/2015 Akana D10/70
 D745,421 S * 12/2015 Akana D10/32
 D756,824 S * 5/2016 Akana D10/103
 D757,819 S * 5/2016 Akana D14/496
 D758,363 S * 6/2016 Akana D10/30
 D759,011 S * 6/2016 Akana D14/344
 D759,622 S 6/2016 Dahlberg
 D759,623 S 6/2016 Dahlberg
 D762,210 S 7/2016 Lee et al.
 D763,107 S 8/2016 Nielsen et al.
 D765,072 S 8/2016 Kwon
 D765,655 S * 9/2016 Tao D10/38
 D766,752 S * 9/2016 Akana D10/30
 D771,035 S * 11/2016 Akana D14/344
 9,551,608 B2 * 1/2017 Cho G01G 9/00
 D784,325 S 4/2017 Kim et al.
 9,658,347 B2 * 5/2017 Jacob G01T 1/247
 D790,366 S 6/2017 Nuovo et al.
 9,743,695 B2 * 8/2017 Yoo A61B 5/7435
 D800,172 S * 10/2017 Akana D14/496
 D802,587 S * 11/2017 Lee D14/344

D805,513 S * 12/2017 Akana D14/344
 D805,929 S * 12/2017 Akana D10/70
 D806,599 S 1/2018 Nielsen et al.
 D806,880 S * 1/2018 Henning D24/186
 D807,765 S * 1/2018 Akana D10/70
 D808,961 S * 1/2018 Lee D14/344
 D809,510 S * 2/2018 Rochat D14/344
 D813,229 S * 3/2018 Ling D14/344
 D816,695 S * 5/2018 Spector D14/486
 10,038,361 B2 * 7/2018 Hajati G06F 1/163
 D828,352 S * 9/2018 Akana D14/344
 2015/0186609 A1 7/2015 Utter, II
 2016/0183390 A1 6/2016 Yang et al.
 2016/0255944 A1 9/2016 Baranski et al.
 2017/0100038 A1 4/2017 Narusawa

OTHER PUBLICATIONS

U.S. Appl. No. 29/593,260, filed Feb. 7, 2017, applicant Fitbit, Inc.
 U.S. Appl. No. 29/593,261, filed Feb. 7, 2017, applicant Fitbit, Inc.
 U.S. Appl. No. 29/596,216, filed Mar. 6, 2017, applicant Fitbit, Inc.
 U.S. Appl. No. 29/602,541, filed May 1, 2017, applicant Fitbit, Inc.
 U.S. Appl. No. 29/625,052, filed Nov. 7, 2017, applicant Fitbit, Inc.
 U.S. Appl. No. 29/520,607, filed Mar. 16, 2015, applicant Fitbit, Inc.
 U.S. Appl. No. 29/524,027, filed Apr. 15, 2015, applicant Fitbit, Inc.
 U.S. Appl. No. 29/541,368, filed Oct. 2, 2015, applicant Fitbit, Inc.
 U.S. Appl. No. 29/568,588, filed Jun. 20, 2016, applicant Fitbit, Inc.
 U.S. Appl. No. 29/621,239, filed Oct. 5, 2017, applicant Fitbit, Inc.
 U.S. Appl. No. 29/614,464, filed Aug. 18, 2017, applicant Fitbit, Inc.
 U.S. Appl. No. 29/548,501, filed Dec. 14, 2015, applicant Fitbit, Inc.
 U.S. Appl. No. 29/564,199, filed May 11, 2016, applicant Fitbit, Inc.
 U.S. Appl. No. 29/614,479, filed Aug. 18, 2017, applicant Fitbit, Inc.
 U.S. Appl. No. 29/522,853, filed Apr. 2, 2015, applicant Fitbit, Inc.
 U.S. Appl. No. 29/522,858, filed Apr. 2, 2015, applicant Fitbit, Inc.
 U.S. Appl. No. 29/540,741, filed Sep. 28, 2015, applicant Fitbit, Inc.
 ACBEE Replacement watch band with buckle for Fitbit ALTA for sale at www.amazon.com, Website accessed Nov. 7, 2018.
 PERFIT rubber watch band with double prong buckle and spring bars for sale at www.amazon.com. Website accessed Nov. 7, 2018.
 Waterproof diving silicone rubber strap with clasp for sale at www.aliexpress.com (Alibaba Group). Website accessed Feb. 7, 2018.
 Damusy Fitness Tracker Smart Band for sale at www.activityandfitness trackers.com. Website accessed Nov. 10, 2018.
 Volemer FO9HR Smart Band Fitness Tracker for sale at www.epaky.com. Website accessed Nov. 10, 2018.
 “First Look: Fitbit announces new Fitbit Alta activity tracker”, published Feb. 3, 2016 on DC Rainmaker (www.dcrainmaker.com). Website accessed Nov. 10, 2018.
 Fitbit Alta—for sale by Fitbit (<https://www.fitbit.com/alta>). Website accessed Mar. 27, 2017.
 Fitbit Alta replacement bands—for sale at www.amazon.com. Website accessed Jul. 17, 2017.
 Fitbit Alta review published Mar. 25, 2016 on CNet (www.cnet.com). Website accessed 2018-11-110.
 Fitbit Charge 2 Heart Rate and Fitness Wristband for sale at www.amazon.co.uk. Website accessed Feb. 7, 2018.
 Fitbit Flex Wireless Activity and Sleep Wristband for sale at www.amazon.com. Listed at least as early as Apr. 16, 2013.
 Fitbit Ionic Accessory Band for sale at Nordstrom (<https://shop.nordstrom.com>). Website accessed Nov. 7, 2018.
 Fitbit Alta HR Bands for sale at The Fitness Equipment Shop (www.thefitness equipments shop.com). Website accessed Nov. 17, 2018.
 LUMINOX Replacement Rubber Watch Band Strap for sale at Walmart (www.walmart.com). Website accessed Nov. 7, 2018.
 “MPOW DS-D6 Fitness Band Review” published Jan. 13, 2018 on ZeroAir (www.zeroair.wordpress.com). Website accessed Nov. 10, 2018.
 “Fitbit Product Teardown” on Pinterest, pinned from www.ifixit.com. Website accessed Feb. 27, 2017.

(56)

References Cited

OTHER PUBLICATIONS

Pro Elite Medicine Ball by Power Systems (www.power-systems.com). Website accessed Feb. 7, 2018.

Replacement metal watch band Connector for Fitbit Alta/Fitbit Alta HR for sale at Banggood (www.banggood.com). Website accessed Nov. 10, 2018.

Citrine by the Stones Sol Forearm Band for sale at Shopbop (www.shopbop.com). Website accessed Nov. 11, 2018.

Gorjana Mia Wrap Cuff for sale at Shopbop (www.shopbop.com). Website accessed Nov. 11, 2018.

Marc by Marc Jacobs Engraved Turlock Leather Bangle Bracelet for sale at Shopbop (www.shopbop.com). Website accessed Nov. 11, 2018.

Monserat de Lucca Measuring Tape Bracelet for sale at Shopbop (www.shopbop.com). Website accessed Nov. 11, 2018.

Suppa G-Shock Strap Adapters, online at least as early as Dec. 13, 2013. Accessed Feb. 7, 2017.

Suunto Core watchband on Instagram. Accessed Feb. 7, 2017.

iGK Fitbit Alta Bands—replacement sport strap bands for Fitbit Alta for sale at Walmart (www.walmart.com). Website accessed Nov. 7, 2018.

U.S. Appl. No. 29/635,224, filed Jan. 29, 2018, applicant Fitbit, Inc.

U.S. Appl. No. 29/663,373, filed Sep. 14, 2018, applicant Fitbit, Inc.

U.S. Appl. No. 29/663,375, filed Sep. 14, 2018, applicant Fitbit, Inc.

U.S. Appl. No. 29/664,592, filed Sep. 26, 2018, applicant Fitbit, Inc.

U.S. Appl. No. 29/645,397, filed Apr. 25, 2018, applicant Fitbit, Inc.

U.S. Appl. No. 29/664,595, filed Sep. 26, 2018, applicant Fitbit, Inc.

U.S. Appl. No. 29/664,606, filed Sep. 26, 2018, applicant Fitbit, Inc.

U.S. Appl. No. 29/664,612, filed Sep. 26, 2018, applicant Fitbit, Inc.

U.S. Appl. No. 29/664,615, filed Sep. 26, 2018, applicant Fitbit, Inc.

U.S. Appl. No. 29/664,626, filed Sep. 26, 2018, applicant Fitbit, Inc.

U.S. Appl. No. 29/656,560, filed Jul. 13, 2018, applicant Fitbit, Inc.

U.S. Appl. No. 29/656,638, filed Jul. 13, 2018, applicant Fitbit, Inc.

U.S. Appl. No. 29/671,175, filed Nov. 24, 2018, applicant Fitbit, Inc.

U.S. Appl. No. 29/671,143, filed Nov. 24, 2018, applicant Fitbit, Inc.

U.S. Appl. No. 29/670,971, filed Nov. 24, 2018, applicant Fitbit, Inc.

U.S. Appl. No. 29/671,146, filed Nov. 24, 2018, applicant Fitbit, Inc.

U.S. Appl. No. 29/671,144, filed Nov. 24, 2018, applicant Fitbit, Inc.

U.S. Appl. No. 29/671,145, filed Nov. 24, 2018, applicant Fitbit, Inc.

U.S. Appl. No. 29/663,874, filed Sep. 19, 2018, applicant Fitbit, Inc.

U.S. Appl. No. 29/673,948, filed Dec. 18, 2018, applicant Fitbit, Inc.

U.S. Appl. No. 29/675,072, filed Dec. 28, 2018, applicant Fitbit, Inc.

U.S. Appl. No. 29/669,190, filed Nov. 6, 2018, applicant Fitbit, Inc.

U.S. Appl. No. 29/630,474, filed Dec. 21, 2017, applicant Fitbit, Inc.

U.S. Appl. No. 29/630,475, filed Dec. 21, 2017, applicant Fitbit, Inc.

U.S. Appl. No. 29/630,472, filed Dec. 21, 2017, applicant Fitbit, Inc.

U.S. Appl. No. 29/630,650, filed Dec. 21, 2017, applicant Fitbit, Inc.

U.S. Appl. No. 29/627,003, filed Nov. 21, 2017, applicant Fitbit, Inc.

Inc.

U.S. Appl. No. 29/630,648, filed Dec. 21, 2017, applicant Fitbit, Inc.

* cited by examiner

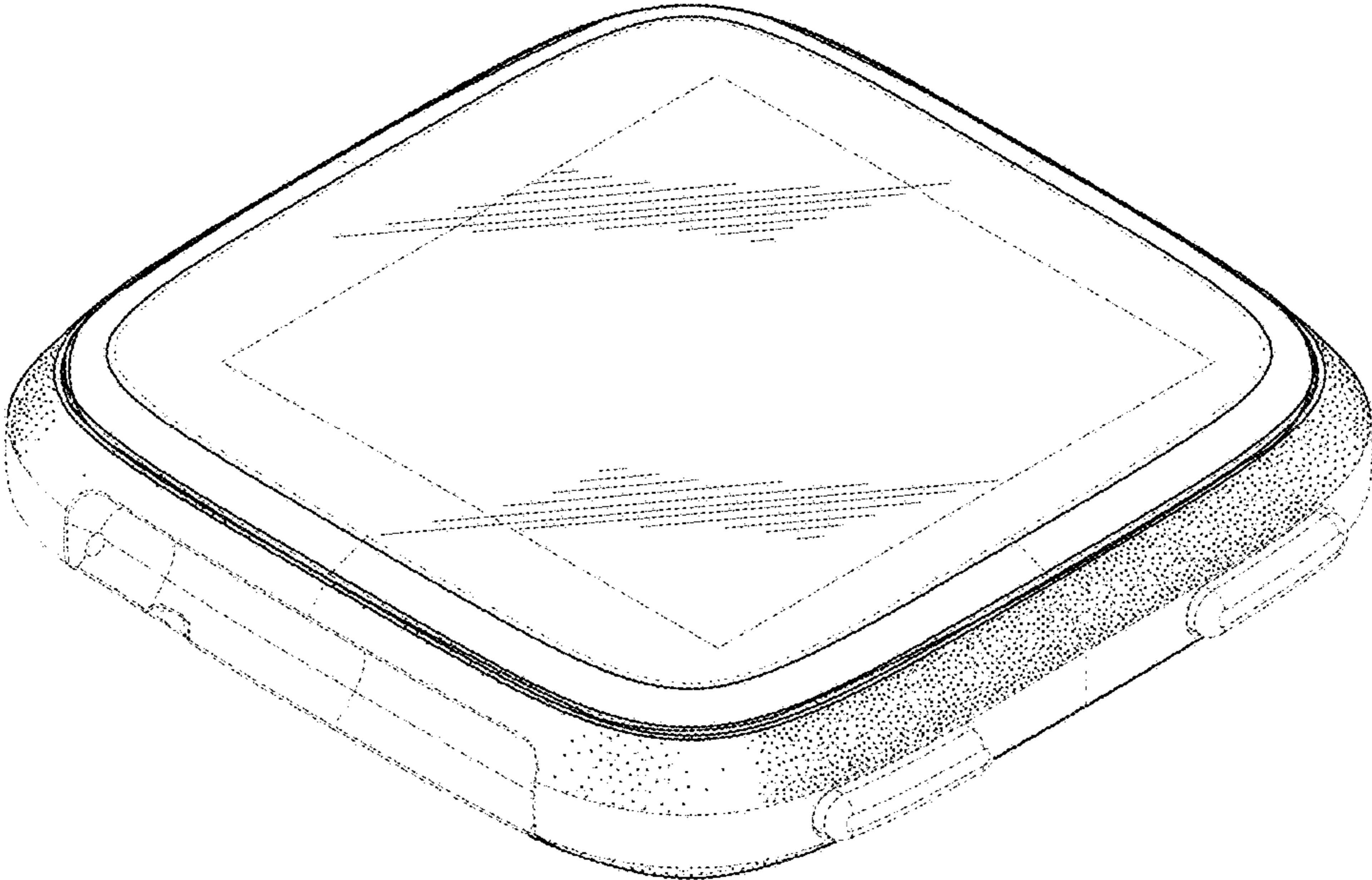


FIG. 1

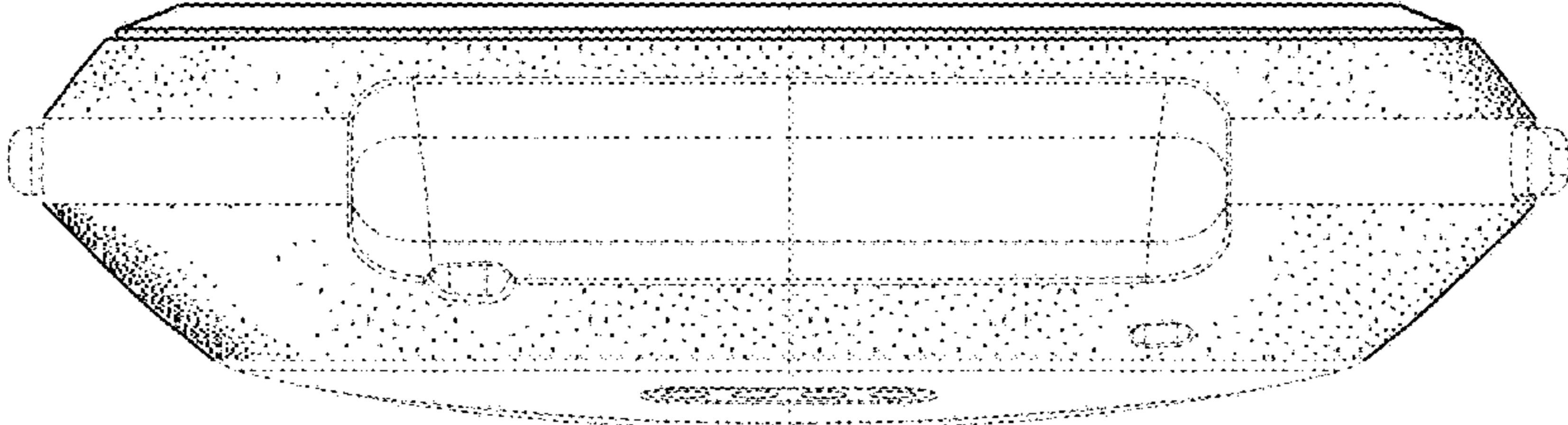


FIG. 2

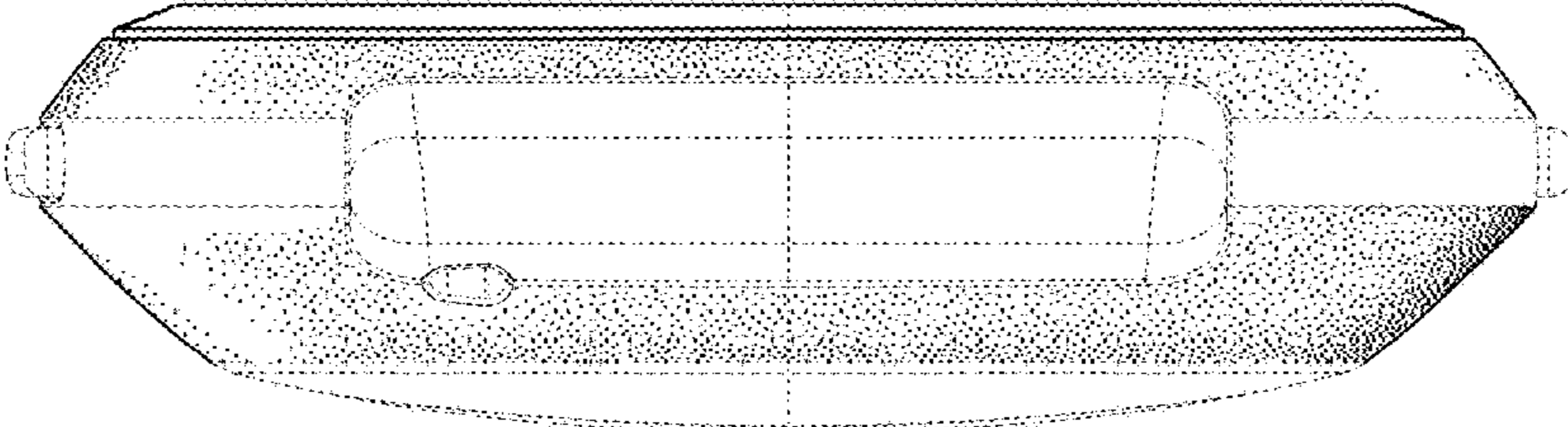


FIG. 3

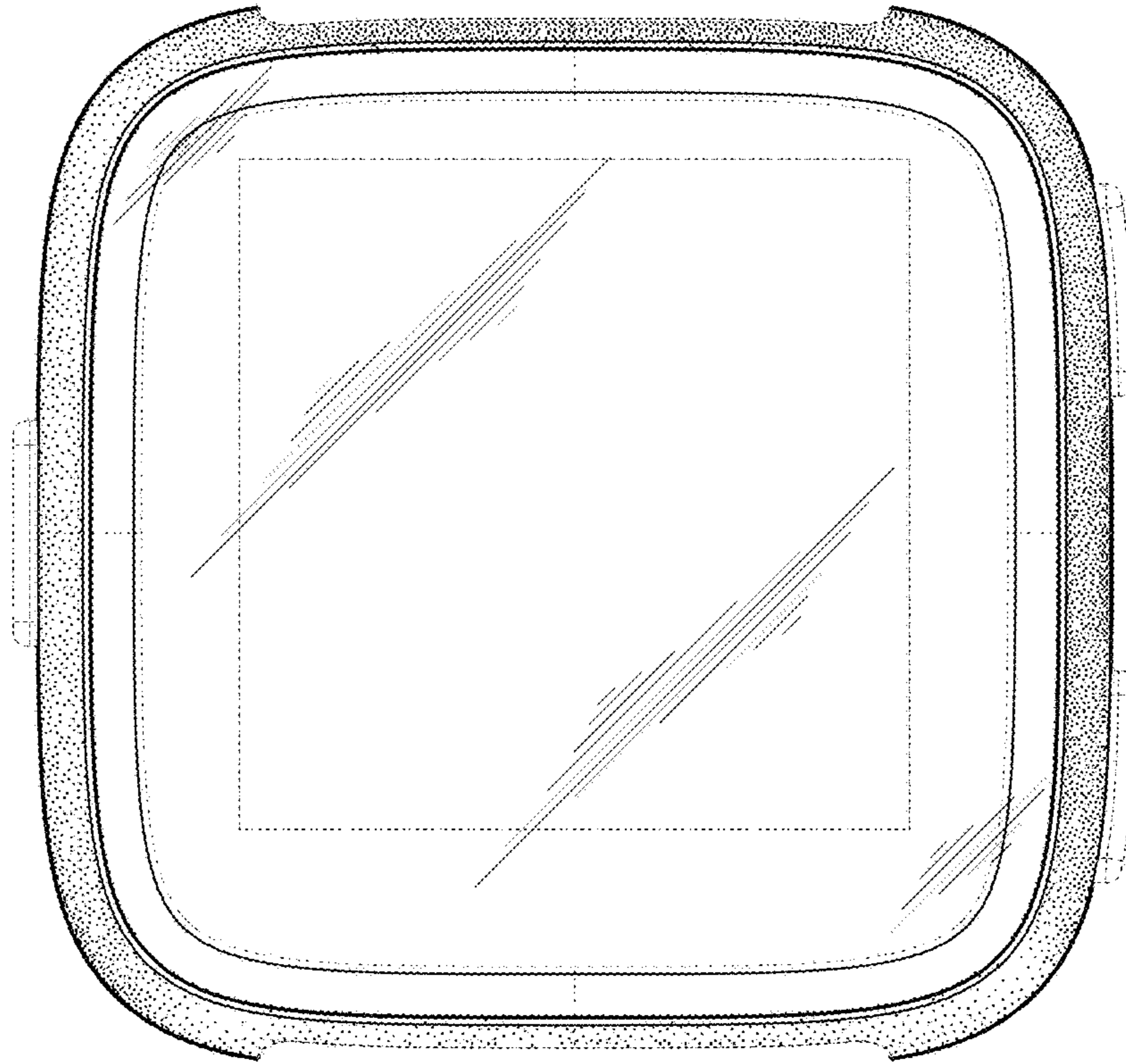


FIG. 4

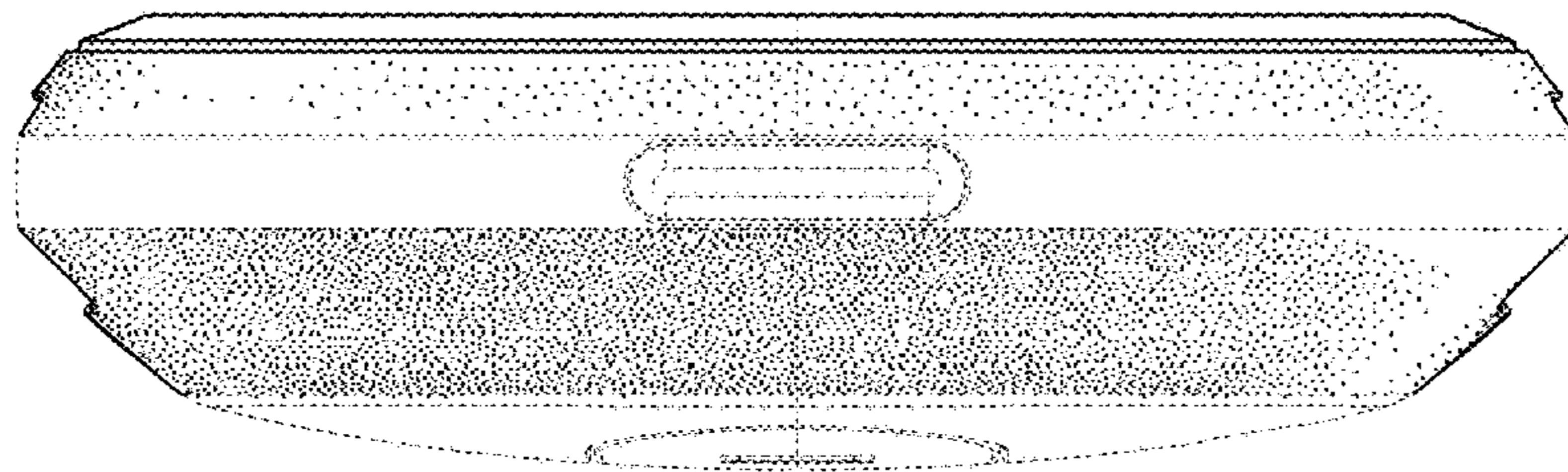


FIG. 5

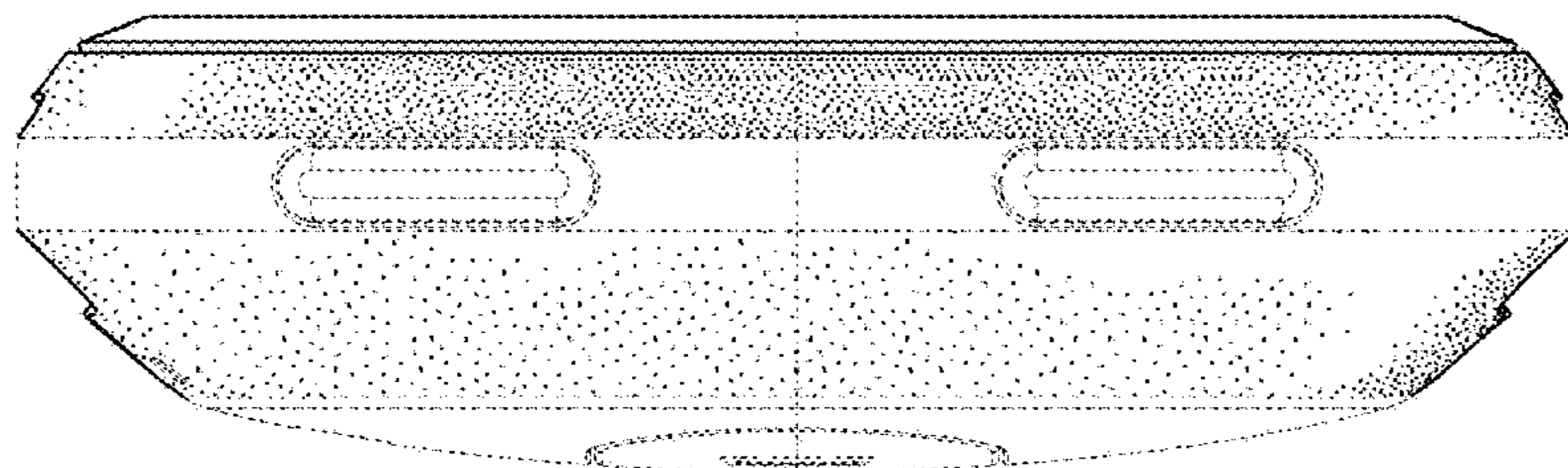


FIG. 6

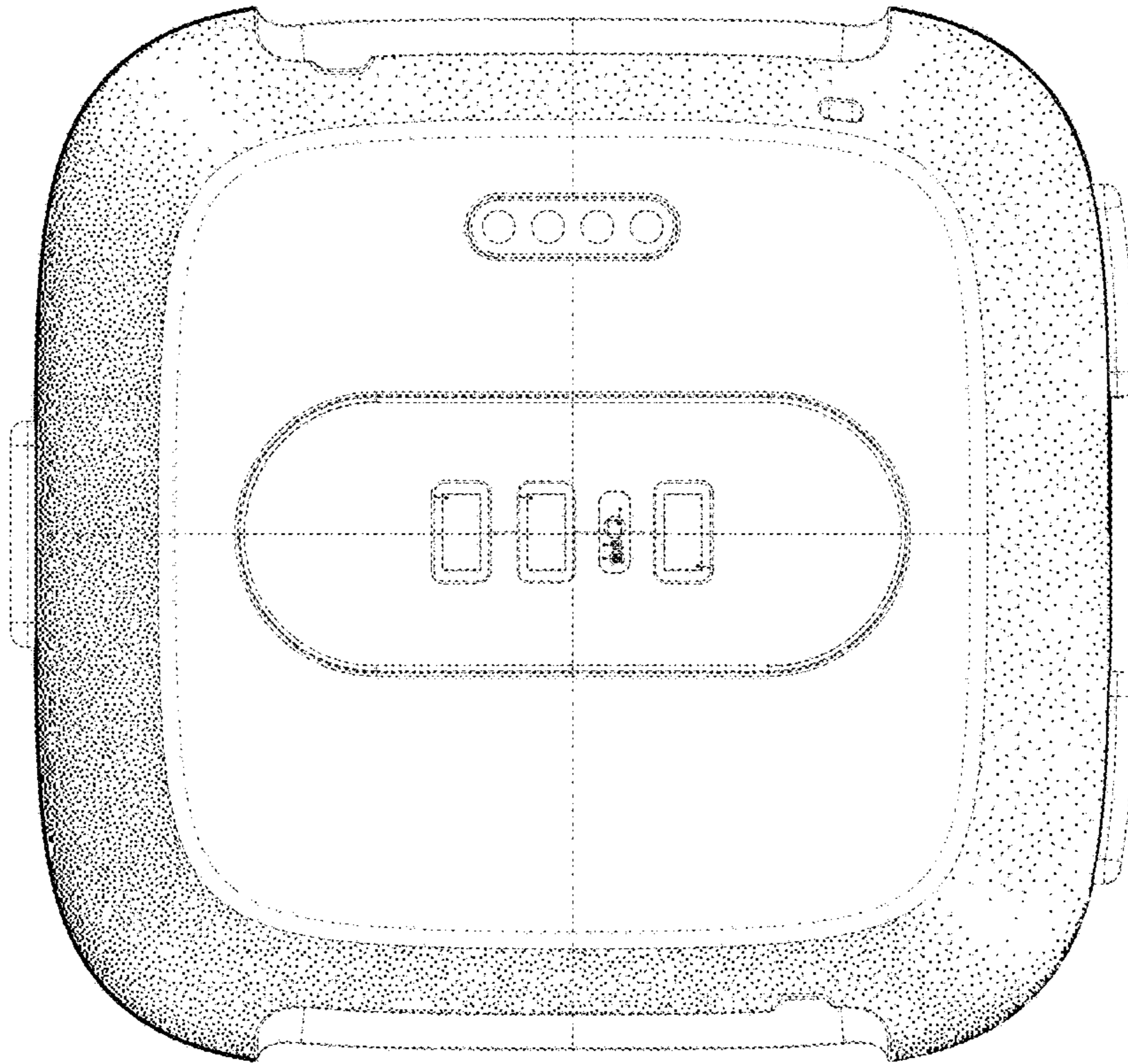


FIG. 7

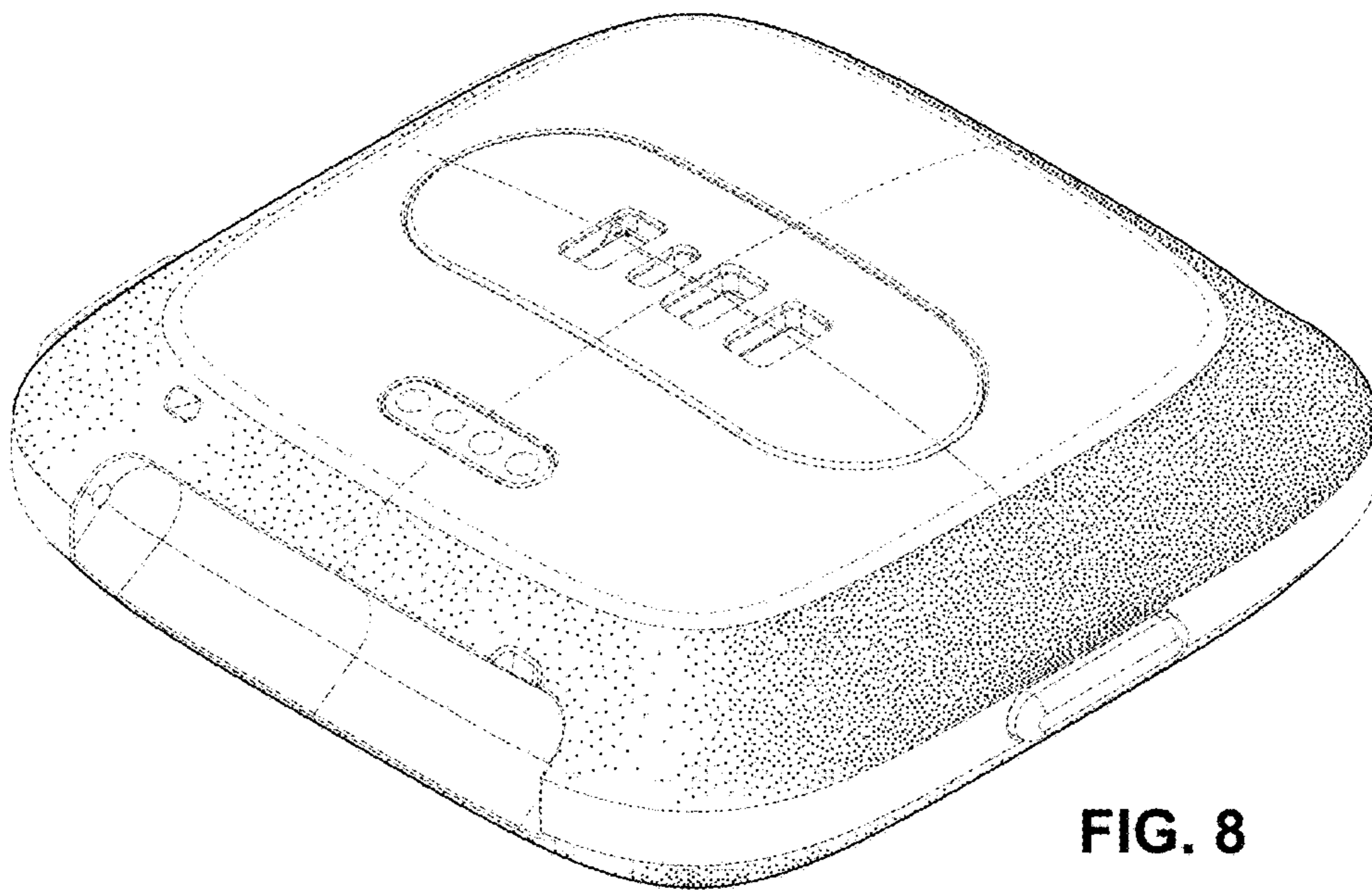


FIG. 8

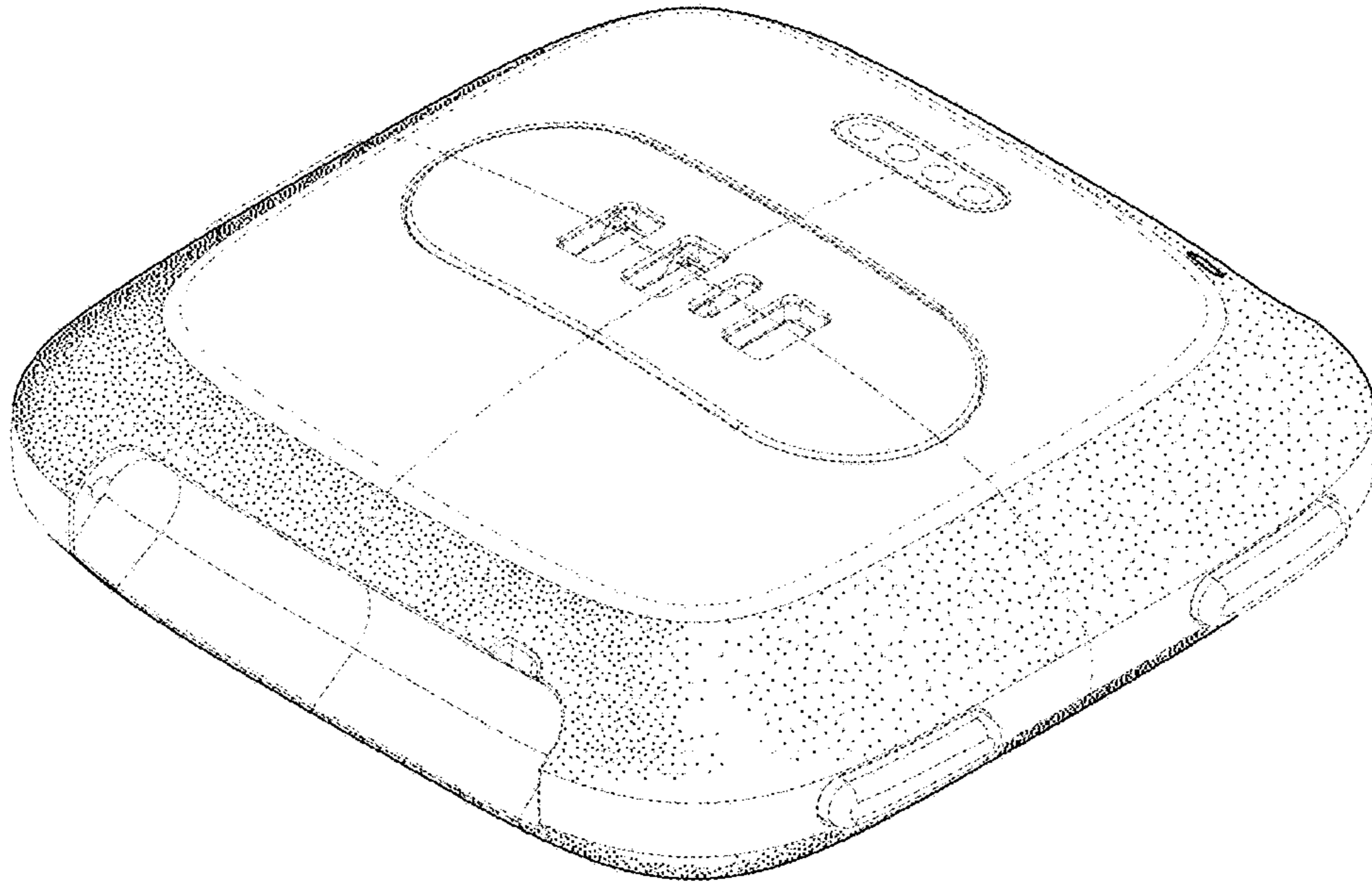


FIG. 9

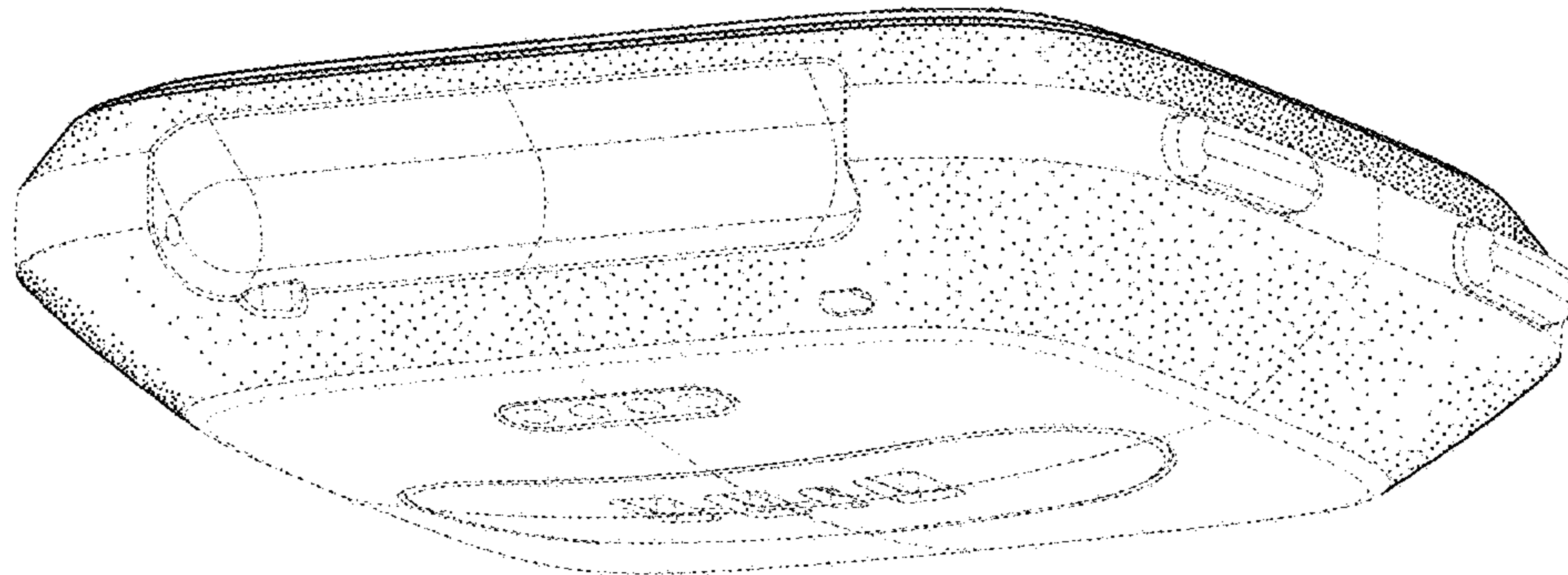


FIG. 10