



US00D854432S

(12) **United States Design Patent**
Akana et al.

(10) **Patent No.:** **US D854,432 S**
(45) **Date of Patent:** **** *Jul. 23, 2019**

(54) **WEARABLE DEVICE**

(71) Applicant: **Apple Inc.**, Cupertino, CA (US)

(72) Inventors: **Jody Akana**, San Francisco, CA (US);
Bartley K. Andre, Palo Alto, CA (US);
Shota Aoyagi, San Francisco, CA (US);
Anthony Michael Ashcroft, San Francisco, CA (US);
Jeremy Bataillou, San Francisco, CA (US);
Daniel J. Coster, San Francisco, CA (US);
Daniele De Iuliis, San Francisco, CA (US);
M. Evans Hankey, San Francisco, CA (US);
Julian Hoenig, San Francisco, CA (US);
Richard P. Howarth, San Francisco, CA (US);
Jonathan P. Ive, San Francisco, CA (US);
Duncan Robert Kerr, San Francisco, CA (US);
Marc A. Newson, London (GB);
Matthew Dean Rohrbach, San Francisco, CA (US);
Peter Russell-Clarke, San Francisco, CA (US);
Benjamin Andrew Shaffer, San Jose, CA (US);
Mikael Silvano, San Francisco, CA (US);
Christopher J. Stringer, Woodside, CA (US);
Eugene Antony Whang, San Francisco, CA (US);
Rico Zörkendörfer, San Francisco, CA (US)

(73) Assignee: **Apple Inc.**, Cupertino, CA (US)

(*) Notice: This patent is subject to a terminal disclaimer.

(**) Term: **15 Years**

(21) Appl. No.: **29/632,050**

(22) Filed: **Jan. 4, 2018**

Related U.S. Application Data

(63) Continuation of application No. 29/578,059, filed on Sep. 19, 2016, now Pat. No. Des. 807,765, which is

a continuation of application No. 29/537,173, filed on Aug. 24, 2015, now Pat. No. Des. 766,893, which is a continuation of application No. 29/499,088, filed on Aug. 11, 2014, now Pat. No. Des. 737,157.

(51) **LOC (11) Cl.** **10-04**

(52) **U.S. Cl.**
USPC **D10/70; D10/39**

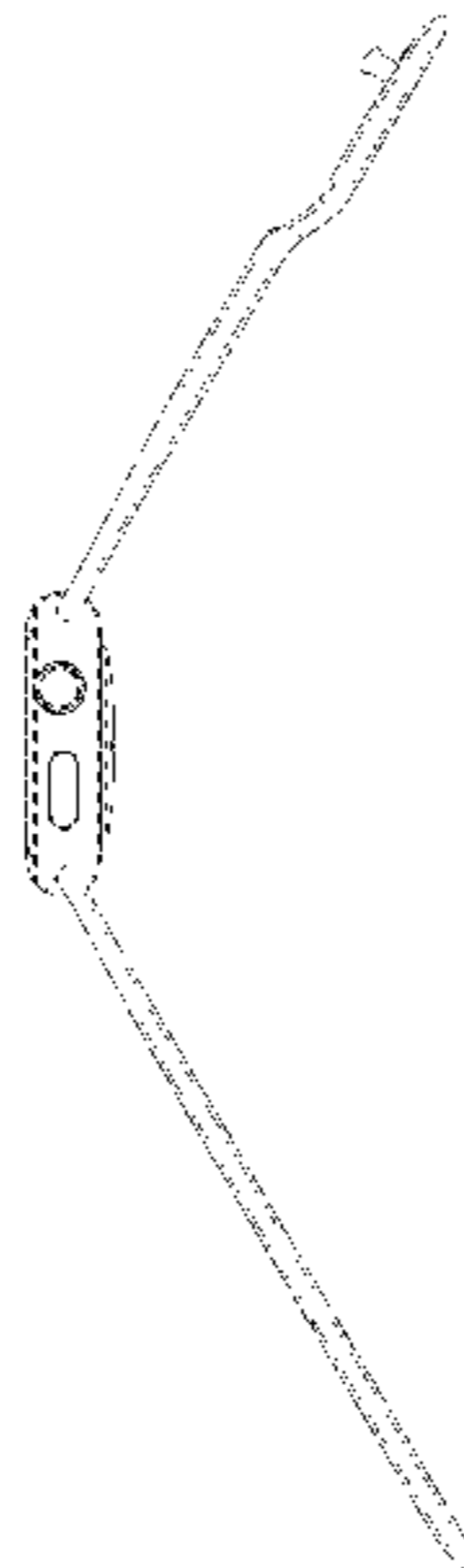
(58) **Field of Classification Search**
USPC D10/30-39, 65, 70, 78, 97, 98; D11/3; D14/203.5, 203.6, 341, 344; D24/167, D24/168, 186
CPC A44C 5/00-5/16; G04B 37/00-37/228; G04B 45/0069; G04B 47/04; G04B 19/00-19/34; G04B 21/12; G04B 23/12; G04B 47/00-47/068; G04B 47/065; G04B 47/066; G01C 17/00; G01C 21/00-21/3697; G01C 22/00-22/025; G01C 23/00-23/005; G01C 21/16; G06F 19/3481; G06F 3/00-3/027; G06F 1/163; G01P 1/00-1/26; G01P 15/00-15/18; A63B 24/00-2024/0096; A63B 2213/00; A63B 69/0028; A63B 2071/0658-2071/0666; A63B 2220/00-2220/89; A63B 2225/02; A63C 11/02; A61B 5/0537; A61B 5/4872; A61B 5/6831; A61B 5/4869; A61B 5/0858; A61B 5/1075; A61B 5/107; A61B 5/4875; A61B 5/4878; A61B 5/4881; A61B 5/61-5/6898; G04R 20/02; G04C 10/00; G04C 10/02; G08B 21/0269; G08B 21/0272; G08B 21/0286; G08B 21/0288; G08B 21/0291; G08B 21/04-21/2454; G01S 19/00-19/55; G04G 9/0064; G04G 9/0005

See application file for complete search history.

(56) **References Cited**

U.S. PATENT DOCUMENTS

296,505 A	4/1884	Babbitt
851,288 A	4/1907	Hodges
1,165,262 A	12/1915	Jolly
1,962,037 A	6/1934	Schofer
D141,753 S	7/1945	Du Bois



US D854,432 S

2,451,749 A	10/1948	Kreisler	8,328,073 B1	12/2012	Smith et al.
2,451,750 A	10/1948	Kreisler et al.	D681,483 S	5/2013	Biegert et al.
D152,491 S	1/1949	Osier	8,601,784 B2	12/2013	Kaltenrieder
2,498,211 A	2/1950	Kreisler	D699,701 S	2/2014	Kim
3,030,686 A	4/1962	Burkhardt	D709,874 S	7/2014	Aumiller et al.
3,233,801 A	2/1966	Schulenberg	D709,875 S	7/2014	Aumiller et al.
3,640,065 A	2/1972	Lederrey et al.	D711,872 S	8/2014	Aumiller et al.
3,665,565 A	5/1972	Kruger	D711,873 S	8/2014	Aumiller et al.
3,675,284 A	7/1972	Rieth	D714,288 S	9/2014	Aumiller et al.
3,983,483 A	9/1976	Pando	D715,668 S	10/2014	Roush et al.
D269,254 S	6/1983	Kishimoto	D717,678 S	11/2014	Anderssen et al.
D287,471 S	12/1986	Sato et al.	D717,679 S	11/2014	Anderssen et al.
4,627,231 A	12/1986	Kiuchi	D718,170 S	11/2014	Aumiller et al.
D297,123 S	8/1988	Kabaya	D719,123 S	12/2014	Park et al.
D299,718 S	2/1989	Steer et al.	D720,248 S	12/2014	Law
D305,422 S	1/1990	Steer et al.	D720,249 S	12/2014	Park et al.
D331,020 S	11/1992	Ishii et al.	D720,355 S	12/2014	Akana et al.
D333,626 S	3/1993	Chang	D724,103 S	3/2015	Akana et al.
5,201,789 A	4/1993	Fontana	D724,176 S	3/2015	Maestas
D343,584 S	1/1994	Olmes et al.	D724,469 S	3/2015	Akana et al.
D349,864 S	8/1994	Dunlap et al.	D724,556 S	3/2015	Choi et al.
5,363,351 A	11/1994	Carney	D727,197 S	4/2015	Akana et al.
D355,375 S	2/1995	Bandy, II	D727,198 S	4/2015	Akana et al.
5,386,933 A	2/1995	Greene et al.	D727,199 S	4/2015	Akana et al.
D356,957 S	4/1995	Burgener	D727,316 S	4/2015	Song
D417,236 S	11/1999	Burrus	D727,787 S	4/2015	Akana et al.
D438,812 S	3/2001	Bert	D728,562 S	5/2015	Park et al.
D439,172 S	3/2001	Brzezinski	D728,624 S	5/2015	Akana et al.
D455,093 S	4/2002	Fitzgerald	D729,091 S	5/2015	Nuovo et al.
D459,238 S	6/2002	Wunderman	D729,237 S	5/2015	Fagnot
D473,818 S	4/2003	Salvisberg	D729,651 S	5/2015	Nuovo et al.
6,655,831 B1	12/2003	Ruffieux	D729,652 S	5/2015	Nuovo et al.
D494,098 S	8/2004	Cohen	D729,653 S	5/2015	Nuovo et al.
D496,589 S	9/2004	Perrenoud	D729,654 S	5/2015	Nuovo et al.
6,970,157 B2	11/2005	Siddeeq	D729,667 S	5/2015	Nuovo et al.
D513,195 S	12/2005	Gruosi	D729,670 S	5/2015	Nuovo et al.
7,004,469 B2	2/2006	Von Goeben	D729,671 S	5/2015	Nuovo et al.
D517,441 S	3/2006	Heatherly et al.	D730,209 S	5/2015	Wolos et al.
D528,439 S	9/2006	Burton	D730,210 S	5/2015	Song
D528,928 S	9/2006	Burton	D731,482 S	6/2015	Song
7,106,197 B2	9/2006	Gaiotto et al.	D732,022 S	6/2015	Song
D534,821 S	1/2007	Chen	D733,598 S	7/2015	Just et al.
D535,055 S	1/2007	Been et al.	D733,706 S	7/2015	Song
D535,205 S	1/2007	Frederick et al.	D734,327 S	7/2015	Song
D536,265 S	2/2007	Reynoso	D734,330 S	7/2015	Huang et al.
D538,687 S	3/2007	Komulainen	D734,331 S	7/2015	Wu et al.
D549,602 S	8/2007	Oberrieder et al.	D736,652 S	8/2015	Isaacs et al.
D550,105 S	9/2007	Oberrieder et al.	D737,157 S	8/2015	Akana et al.
D558,227 S	12/2007	Cho et al.	D737,159 S	8/2015	Akana et al.
D559,723 S	1/2008	Kraus et al.	D738,236 S	9/2015	Song
D560,520 S	1/2008	Oberrieder et al.	D738,237 S	9/2015	Song
D566,580 S	4/2008	Giorgio	9,141,087 B2	9/2015	Brown et al.
D569,282 S	5/2008	Daniel	D741,726 S	10/2015	Akana et al.
D572,266 S	7/2008	Anderson et al.	D756,822 S	5/2016	Akana et al.
D573,905 S	7/2008	Poirier	D813,058 S *	3/2018	Kanikananta D10/32
D574,735 S	8/2008	Landman et al.	2010/0061191 A1	3/2010	Chen
D578,922 S	10/2008	Hoshino	2014/0096345 A1	4/2014	Tschumi
D581,826 S	12/2008	Molyneux	2014/0098649 A1	4/2014	Tschumi
D584,170 S	1/2009	Morrison			
D586,823 S	2/2009	Anderson et al.			
D588,487 S	3/2009	Hartzband			
D589,375 S	3/2009	Tang			
D596,610 S	7/2009	Hou	CN	2052214 U	2/1990
D599,680 S	9/2009	Schoepfer	CN	D3118417	8/1999
7,591,581 B2	9/2009	Lovegrove et al.	CN	2353201 Y	12/1999
D603,724 S	11/2009	Jorst et al.	CN	D3229132	3/2002
D610,476 S	2/2010	Daniel	CN	203859742 U	10/2014
D612,748 S	3/2010	Jorst et al.	DE	10229050 C1	6/2003
D616,417 S	5/2010	Liao	EP	1098231 A1	5/2001
7,708,457 B2	5/2010	Girardin et al.	EP	2636328 A1	9/2013
D637,094 S	5/2011	Cobbett et al.	ES	001359301-0002	6/2013
D637,918 S	5/2011	Cobbett et al.	GB	618917 A	3/1949
D645,360 S	9/2011	Kiser et al.	GB	1059756	5/1989
D650,706 S	12/2011	Zanella et al.	GB	2082277	6/1999
D656,856 S	4/2012	Kleinberg	GB	3005267	8/2002
8,205,370 B2	6/2012	Padgett et al.	HK	0501949.8	12/2005
D666,503 S	9/2012	Bulgari	HK	1001605.7	12/2010
D670,583 S	11/2012	Shaanan	JP	H02310580 A	12/1990
D672,667 S	12/2012	Mix	JP	D1058606	1/2000
			JP	D1204216	5/2004

FOREIGN PATENT DOCUMENTS

JP	D1218830	10/2004
JP	D1236213	4/2005
JP	2005171013 A	6/2005
JP	2006288484 A	10/2006
JP	D1350063	2/2009
JP	D1423962	9/2011
JP	D1511746	11/2014
WO	WO-DM/047140-001	5/1999
WO	WO-DM/048231-004	8/1999
WO	WO-DM/049177-024	11/1999
WO	WO-DM/049512-006	12/1999
WO	WO-DM/052261-005	8/2000
WO	WO-DM/057659-011	11/2001
WO	WO-DM/057659-012	11/2001
WO	WO-DM/058718-003	3/2002
WO	WO-DM/064910-005	3/2004
WO	WO-DM/066491-004	3/2005
WO	WO-DM/068702-001	9/2007
WO	WO-DM/072215	9/2009
WO	WO-DM/077452-004	6/2011
WO	WO-DM/076656-001	9/2011
WO	WO-DM/080373-001	3/2013
WO	WO-DM/080997-001	6/2013
WO	WO-2013182397 A1	12/2013
WO	WO-2014135709 A2	9/2014

OTHER PUBLICATIONS

22mm Interlocking Stainless Steel Mesh Divers Watch Band Bracelet, XX, < <http://www.strapcode.com/store/22mm-interlocking-stainless-steel-mesh-divers-watch-band-bracelet-p-1255.html>>, accessed on Dec. 4, 2014.

28mm Reform Stainless Steel “Shark” Polished Mesh Watch Band Deployant Strap, < http://www.ebay.com/itm/28mm-Reform-Stainless-Steel-SHARK-Polished-Mesh-Watch-Band-Deployant-Strap-/231397551849?pt=US_Watch_Bands&hash=item35e05e6ee9>, accessed Dec. 4, 2014.

Adams, Ariel, “Max Bill by Junghans Watches for 2010,” A Blog to Watch.com, < <http://www.ablogtowatch.com/max-bill-by-junghans-watches-for-2010/>>, dated Mar. 25, 2010.

Alvarez, Edgar, “Basis Peak to get its smartwatch-like features in December,” engadget.com, < <http://www.engadget.com/2014/11/20/basis-peak-new-features/>>, dated Nov. 20, 2014, accessed Dec. 15, 2014.

“Brand New Ikepod Grey or Orange Rubber Strap , Hemipode , Marc Newson Design,” accessed at <http://www.ebay.com/itm/BRAND-NEW-IKEPOD-GREY-OR-ORANGE-RUBBER-STRAP-HEMIPODE-MARC-NEWSON-DESIGN-/291133335907>, last updated Nov. 30, 2014, 3 pages.

Calar Zhao, “SW102 bluetooth bracelet watch smart healthy Silicone Wristband sports watch Time Display/Caller ID/ alarm/ Pedometer + Freeship”, accessed at < <http://www.aliexpress.com/item/SW102-bluetooth-bracelet-watch-smart-healthy-Silicone-Wristband-sports-watch-Time-Display-Caller-ID-alarm-Pedometer/2039225352.html>>, accessed on Nov. 26, 2014.

Cool Material, “Braun Square Digital Watch,” < <http://web.archive.org/web/20111125033014/http://coolmaterial.com/style/braun-square-digital-watch/>>, dated Nov. 25, 2011, accessed Dec. 18, 2014.

Emily, “Nixon—The Newton Digital,” < <http://www.freshnessmag.com/2009/09/08/nixon-the-newton-digital/>>, freshnessmag.com, dated Sep. 8, 2009, accessed Oct. 9, 2014.

etsy.com, “1 Set Silver End Cap Clasp—Findings Large Toggle Clasp End Caps Buckle Connector with Five Inside Loops for Jewelry Making 26mm,” < <http://www.etsy.com/listing/101269004/1-set-silver-end-cap-clasp-findings?ref=market>>, Listed on Aug. 29, 2014, accessed Oct. 9, 2014.

Fitbit, “Fitbit Surge™ Fitness Super Watch” < <https://www.fitbit.com/surge>>, accessed Dec. 15, 2014.

geekbuying.com, “Makibes unisex red led digital wrist watch with square case silicone watchband—white,” < <http://www.geekbuying.com/item/Unisex-Red-LED-Digital-Wrist-Watch-with-Square-Case-Silicone-Watchband---White-326443.html>>, accessed Oct. 9, 2014.

Hadley Roma, Hadley-Roma Men’s MB3836RWSE 20 20-mm Stainless Steel Heavy Mesh Watch Strap, < <http://www.amazon.com/>

Hadley-Roma-MB3836RWSE-20-20-mm-Stainless/dp/B005EJFWFA/ref=sr_1_213?ie=UTF8&qid=1416670549&sr=8-213&keywords=watch+band>, accessed Dec. 4, 2014.

Haedges, “1 Set Silver End Cap Clasp—Findings Large Toggle Clasp End Caps Buckle Connector with Five Inside Loops for Jewelry Making 26mm,” < <http://www.etsy.com/listing/101269004/1-set-silver-end-cap-clasp-findings?ref=market>>, Listed on Aug. 29, 2014, accessed Oct. 9, 2014.

Hodinkee.com, “Apple iPod Nano Now Available With Mickey Mouse Dial, Also Cheesy, Mechanically Inaccurate Open-Worked Dial,” < <http://web.archive.org/web/20111006043916/http://www.hodinkee.com/blog/2011/10/5/apple-ipod-nano-now-available-with-mickey-mouse-dial-also-ch.html>>, dated Oct. 6, 2011, accessed Dec. 18, 2014.

Homego, “M6 Silver Smart Watch Cell Phone 1.54 inch Bluetooth 3.0 Dialer Outdoor Sports Pedometer,” amazon.com, < <http://www.amazon.com/Silver-Bluetooth-Dialer-Outdoor-Pedometer/dp/B00MQTBGK6>>, accessed Dec. 15, 2014.

Ikepod, “Original Ikepod Watch With GMT—Marc Newson Design,” Watchbox.be, < <http://www.watchbox.be/prod/Others-Watches/Marc%20Newson%20Design/item7165.htm#.VJLm2fAo5D8>>, accessed Dec. 17, 2014.

LG Life’s Good, “LG G Watch (W100),” < <http://www.lg.com/us/smart-watches/lg-W100-g-watch>>, accessed Dec. 18, 2014.

Metawatch, “Frame—Black (MW3005),” < <http://meta.watch/collections/smartwatch-all/products/frame-ss-black-leather>>, accessed Dec. 15, 2014.

Omate, “Omate TrueSmart: Water-resistant standalone Smartwatch 2.0,” < <http://www.kickstarter.com/projects/omate/omate-truesmart-water-resistant-standalone-smartwa>>, dated Aug. 21, 2013, accessed Oct. 8, 2014.

Omate, “The TrueSmart™ is the world’s first standalone smartwatch 2.0 running on top of Android and OUI 2.0,” < <http://www.omate.com/product.html>>, accessed Dec. 15, 2014.

[Online] <http://blogs-images.forbes.com/robertpearl/files/2014/10/Apples-Watch-health-fitness-white-blue-1940x1231.jpg> . Retrieved Feb. 4, 2015.

[Online] http://jewelrynewsnetwork.blogspot.com/2014_01_01_archive.html. Retrieved Mar. 17, 2015. Posted online Jan. 30, 2014.

[Online] https://lh6.googleusercontent.com/zOUR6N5g8fIH1ouyyCpl7PGTLCMGI_hor1fADdMLMKdwxbhVSU1zk-xdirsUk-KxTsHxN_In6WDNHZLo8HNhjGB7GWEXqtMA5bngmvH_MByEitDmuAc0TuFk86vYCArcw. Retrieved Feb. 17, 2015.

[Online] <https://s-media-cache-ak0.pinning.com/736x/bd/9d/7d/bd9d7d7b5618e1518d744dd28c999fc4.jpg>. Retrieved Mar. 31, 2015.

[Online] https://s.yimg.com/cd/resizer/2.0/FIT_TO_WIDTH-w500/8088fe4930fb9d97123f776d1cdeb7ca585d7485.jpg. Retrieved Feb. 17, 2015.

[Online] http://timerecs.com/imgs/a/c/s/v/b/ikepod_hemipode_marc_newson_marcus_limited_limited_edition_black_dlc_chronograph_46mm_5_lgw.jpg. Retrieved Mar. 31, 2015.

[Online] <http://www.ablogtowatch.com/10-interesting-facts-marc-newson-watch-design-work-ikepod/>. Retrieved Mar. 17, 2015. Posted online Sep. 9, 2014.

[Online] <http://www.imedicalapps.com/wp-content/uploads/2014/09/watch-dm.jpg> . Retrieved Feb. 4, 2015.

Pebble, “Pebble Smartwatch,” getpebble.com, < <https://getpebble.com/checkout>>, accessed Dec. 15, 2014.

Ruano, L., “Ikepod Solaris Watch by Marc Newson,” Hypebeast.com, < <http://hypebeast.com/2009/1/ikepod-solaris-watch-by-marc-newson>>, dated Jan. 12, 2009.

Samsung, “Samsung Gear™ 2 Charcoal Black SM-R3800VSAXAR,” < <http://www.samsung.com/us/mobile/wearable-tech/SM-R3800VSAXAR>>, accessed Dec. 15, 2014.

Samsung, “Samsung Gear S™, (Sprint), Black SM-R750PZKASPR,” < <http://www.samsung.com/us/mobile/wearable-tech/SM-R750PZKASPR>>, accessed Dec. 15, 2014.

Samsung, “Galaxy Gear™ Live, Black SM-R3820ZKAXAR,” < <http://www.samsung.com/us/mobile/wearable-tech/SM-R3820ZKAXAR>>, accessed Dec. 15, 2014.

Sony, “SmartWatch,” < <http://www.sonymobile.com/us/products/accessories/smartwatch/>>, accessed Dec. 15, 2014.

Sony, "SmartWatch 3 SWR50," < <http://www.sonymobile.com/us/products/smartwear/smartwatch-3-swr50/>>, accessed Dec. 15, 2014.

Stables, James, "Clevercare smartwatch aims to help Alzheimer's suffers and carers: Revamped Sony SmartWatch 2 designed for users that need care," Wearable News, < <http://www.wearable.com/wearable-tech/clevercare-smartwatch-aims-to-help-alzheimers-suffers-and-carers-585>>, dated Dec. 15, 2014.

Team Luxe, "Collectors Edition: Hermes Carre H Watch," Luxpresso, < <http://luxpresso.com/news-couture/collectors-edition-hermes-carre-h-watch/2814>>, dated Jan. 10, 2011, accessed Dec. 18, 2014.

Ted Baker, "Ted Baker Men's TE1054 Time Flies Contemporary Square Digital Case Watch," < <http://www.amazon.com/Ted-Baker-TE1054-Contemporary-Digital/dp/B0045CRTYO%3FSubscriptionId%3DAKIAJ3U4YRIBWCGGKZ2A%26tag%3Dfrases365-20%26linkCode%3Dsp1%26camp%3D2025%26creative%3D165953%26creativeASIN%3DB0045CRTYO>>, accessed Oct. 9, 2014.

The Alt Team, "Ziiro Celeste Watch Hands-On", Dec. 12, 2012, < <http://www.gadgetmac.com/alt/ziiro-celeste-watch-hands-on.html>>, accessed Dec. 4, 2014.

Velazco, Chris, "ASUS ZenWatch review: subtle and stylish, with a few shortcomings," Engadget.com, < <http://www.engadget.com/2014/12/11/asus-zenwatch-review/>>, dated Dec. 11, 2014, accessed Dec. 15, 2014.

Watches Infoniac.com, "Hermes Carre H Watch—Extremely Contemporary Design," < <http://watches.infoniac.com/carre-h-watch-hermes.html>>, dated Aug. 13, 2010, accessed Dec. 18, 2014.

Watchismo, "Braun BN0042 Black Date Leather," < <http://web.archive.org/web/20130815073830/http://www.watchismo.com/braun-bn0042bkbk.aspx>>, dated Aug. 15, 2013, accessed Dec. 18, 2014.

* cited by examiner

Primary Examiner — Antoine Duval Davis
(74) *Attorney, Agent, or Firm* — Sterne, Kessler, Goldstein & Fox P.L.L.C.

(57)

CLAIM

The ornamental design for a wearable device, as shown and described.

DESCRIPTION

FIG. 1 is a front view of a wearable device showing the claimed design;

FIG. 2 is a rear view thereof;

FIG. 3 is a right side view thereof;

FIG. 4 is a left side view thereof;

FIG. 5 is a top view thereof; and,

FIG. 6 is a bottom view thereof.

The oblique shade lines in the figures show transparency or translucency.

The broken lines in the figures show portions of the wearable device that form no part of the claimed design.

1 Claim, 4 Drawing Sheets

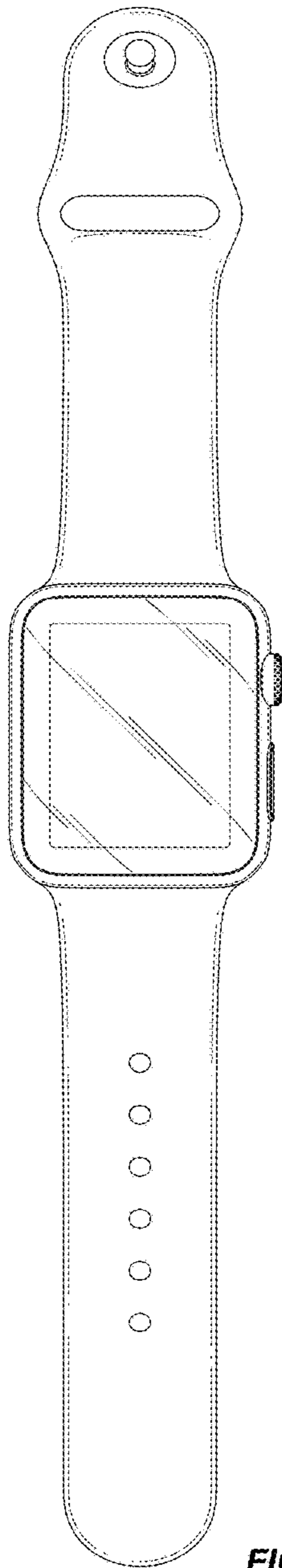


FIG. 1

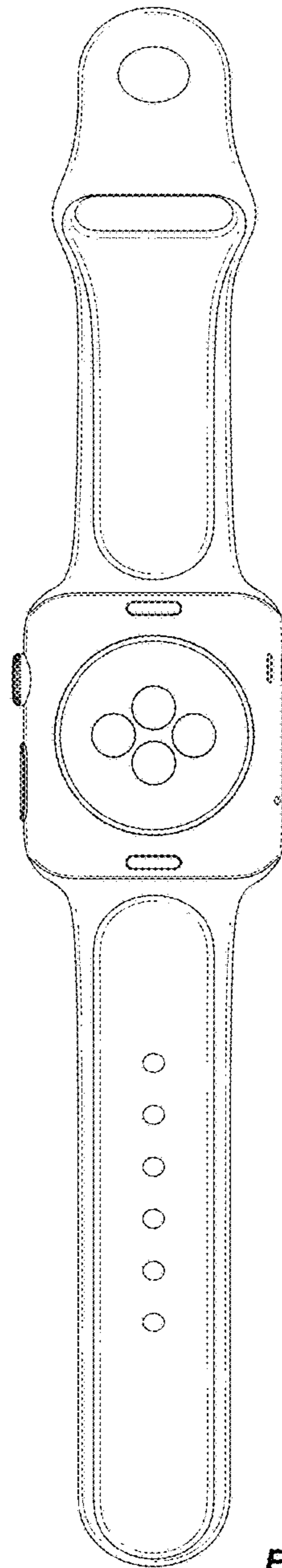


FIG. 2

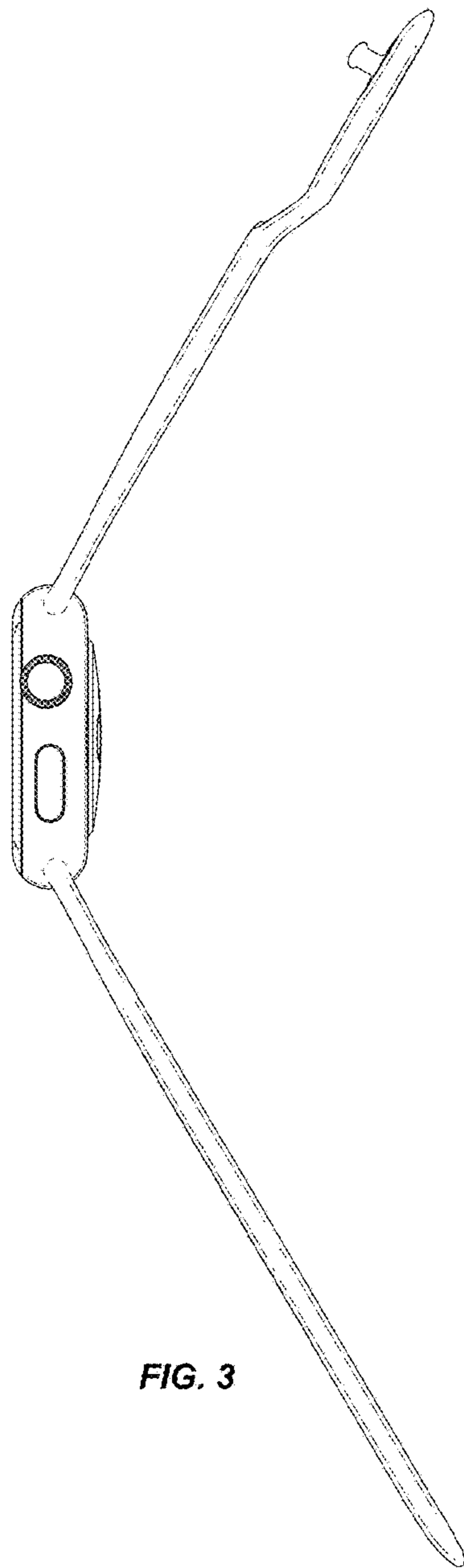


FIG. 3

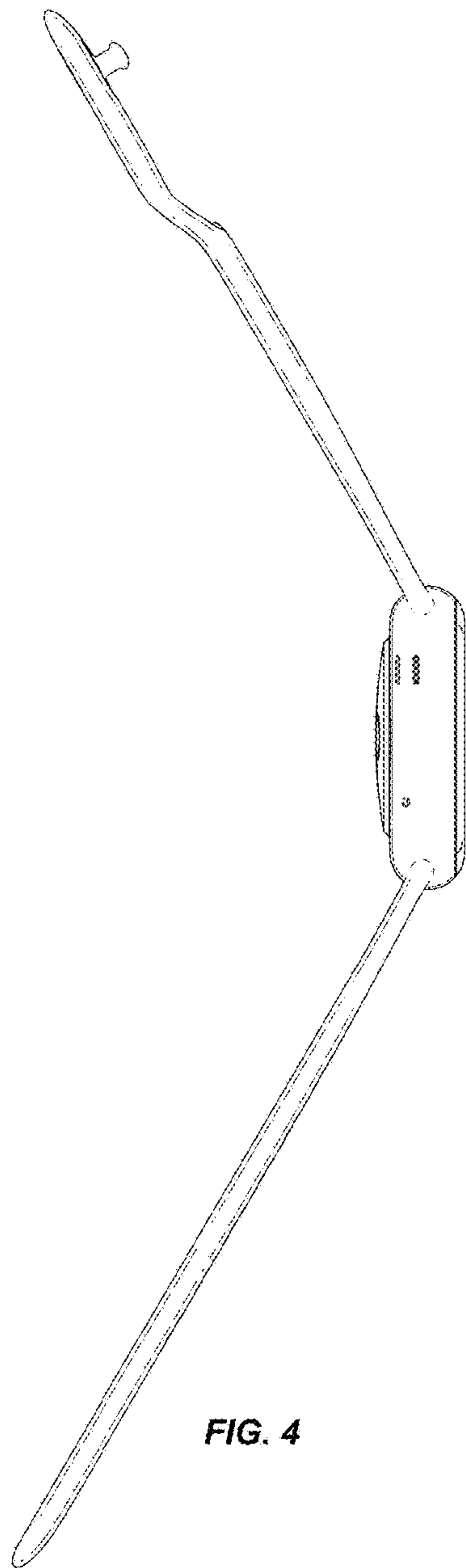


FIG. 4

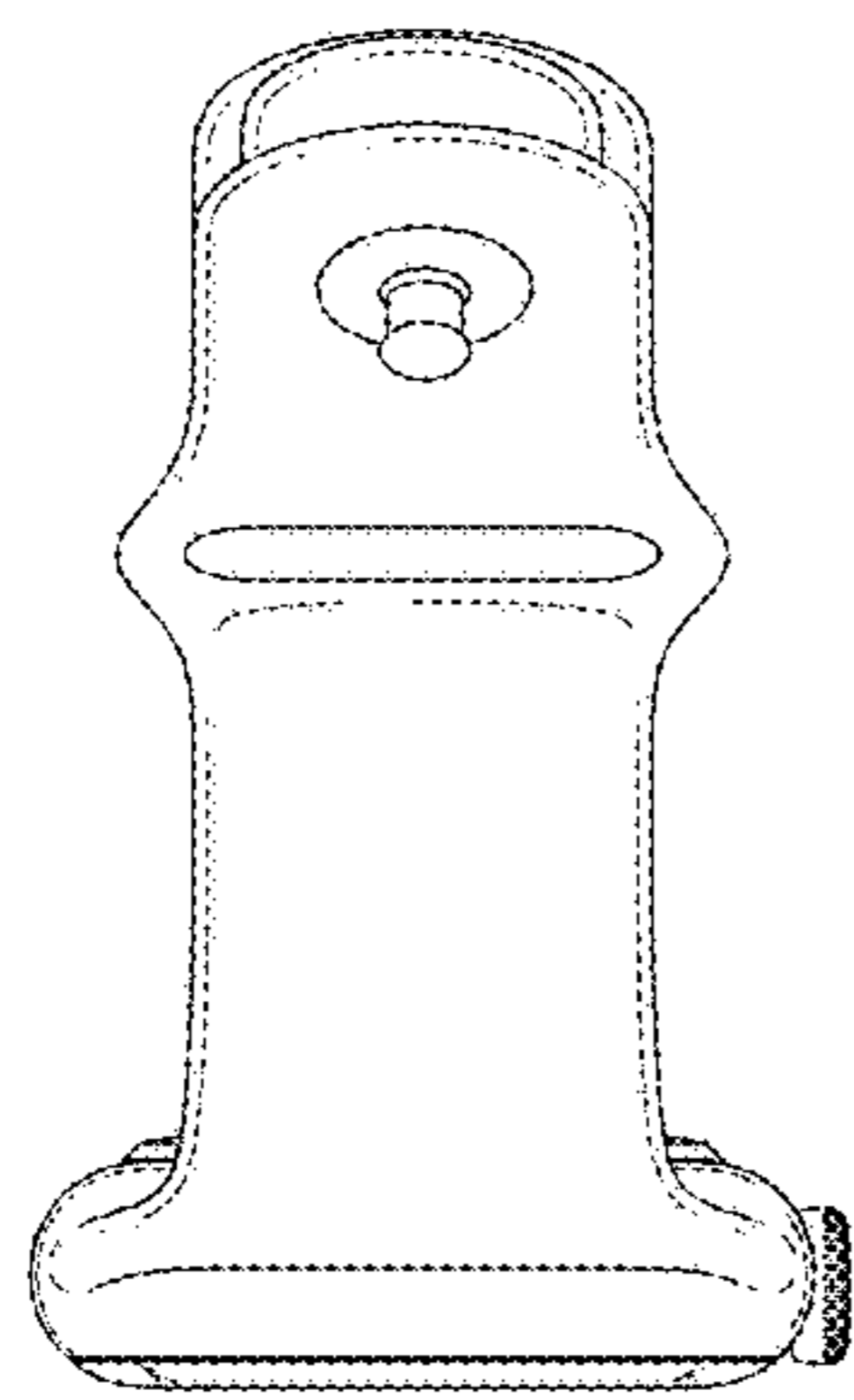


FIG. 5

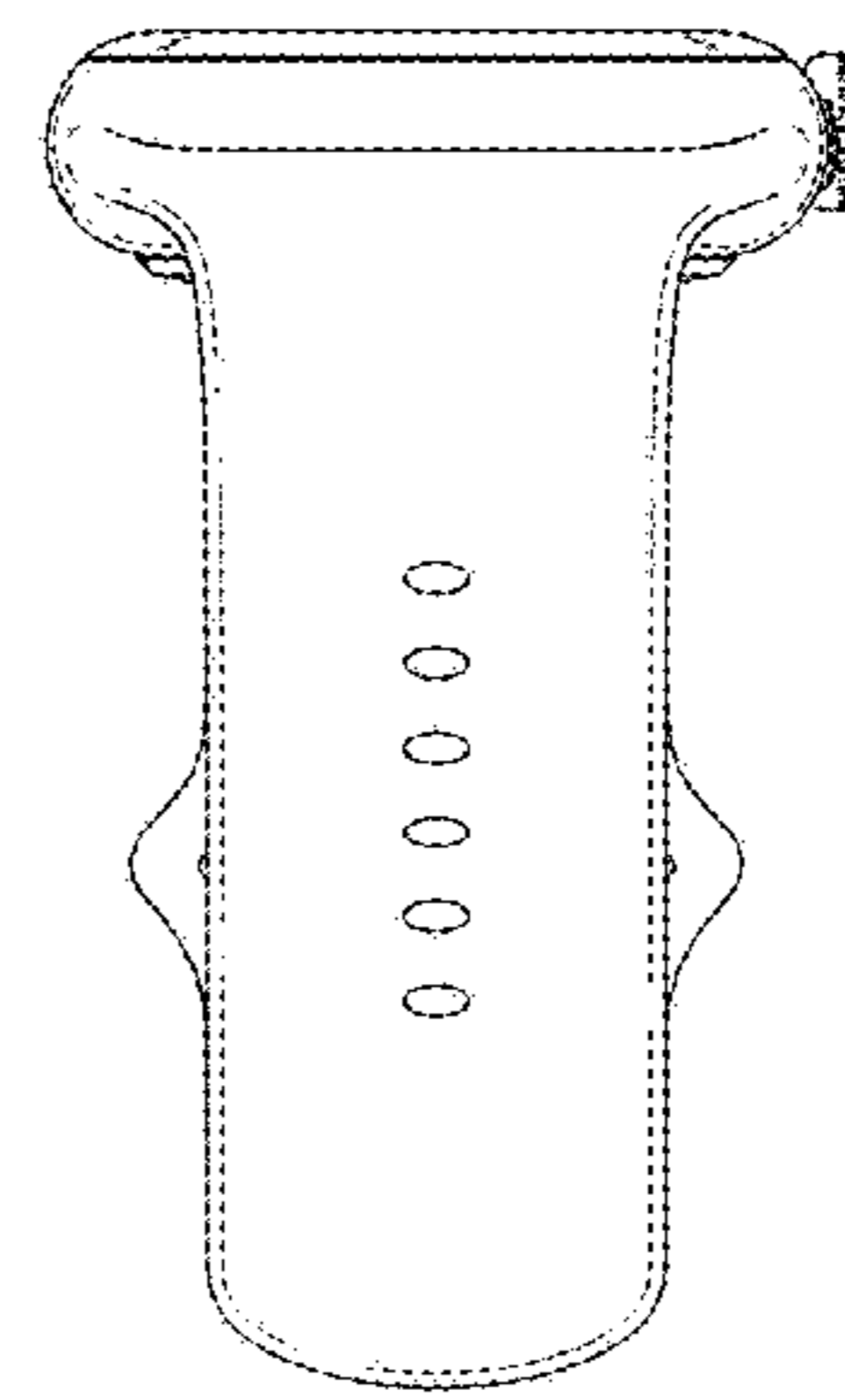


FIG. 6