



US00D854428S

(12) **United States Design Patent** (10) **Patent No.:** **US D854,428 S**
 Holding et al. (45) **Date of Patent:** **** Jul. 23, 2019**

(54) **MEASURING SPOONS SET**
(71) Applicant: **JOSEPH JOSEPH LTD.**, London (GB)
(72) Inventors: **Bill Holding**, London (GB); **Ben Cox**, London (GB)
(73) Assignee: **JOSEPH JOSEPH, LTD.**, London (GB)

(**) Term: **15 Years**

(21) Appl. No.: **29/633,986**

(22) Filed: **Jan. 17, 2018**

(30) **Foreign Application Priority Data**

Jul. 17, 2017 (EM) 004107217-0010

(51) **LOC (11) Cl.** **10-04**

(52) **U.S. Cl.**
USPC **D10/46.3**

(58) **Field of Classification Search**
USPC D7/653, 692, 691; D10/46.2, 46.3; D24/116

CPC G01F 19/00-007; B65D 21/0233

See application file for complete search history.

(56) **References Cited**

U.S. PATENT DOCUMENTS

D302,920 S * 8/1989 Ancona D10/46.2
D332,377 S * 1/1993 Aditya D10/46.2
D437,793 S * 2/2001 Kaposi D10/46.2
D450,605 S * 11/2001 Wright D10/46.3

D468,597 S * 1/2003 Kerr D10/46.2
D488,394 S * 4/2004 Overthun D10/46.2
D532,321 S * 11/2006 Heiligenstein D10/46.2
D624,836 S * 10/2010 Blust D10/46.3
D660,729 S * 5/2012 Lee D10/46.2
D737,696 S * 9/2015 Bagley D10/46.3
2010/0089151 A1 * 4/2010 Mantilla G01F 19/002
73/426

* cited by examiner

Primary Examiner — Brett Miller

(74) *Attorney, Agent, or Firm* — Millen, White, Zelano & Branigan, PC

(57) **CLAIM**

The ornamental design for a measuring spoons set, as shown and described.

DESCRIPTION

FIG. 1 is a side view of the measuring spoons set showing my new design.

FIG. 2 is another side view thereof.

FIG. 3 is another side view thereof.

FIG. 4 is another side view thereof.

FIG. 5 is a top view thereof.

FIG. 6 is a bottom view thereof.

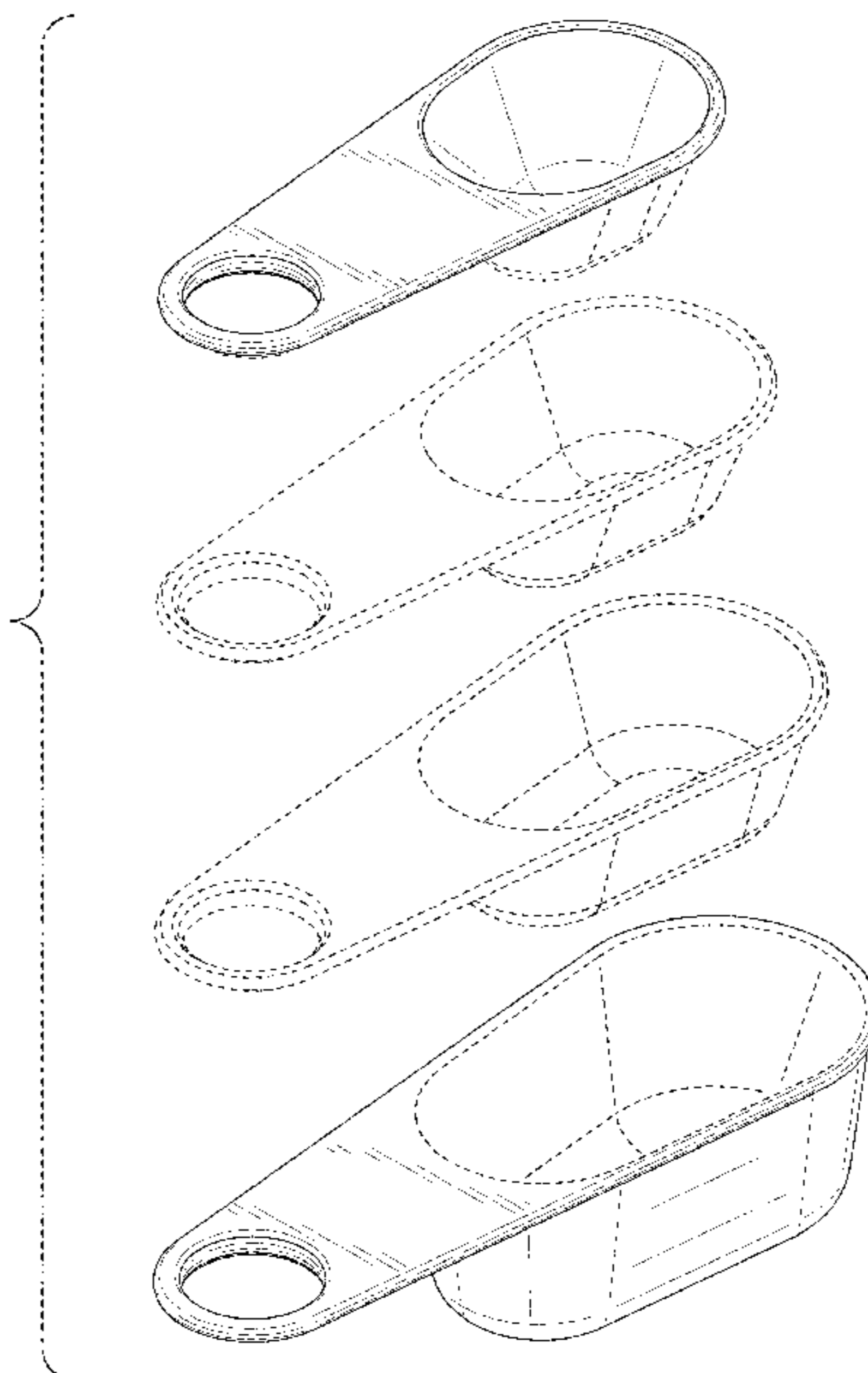
FIG. 7 is a top perspective view thereof.

FIG. 8 is an exploded top perspective view thereof; and,

FIG. 9 is an exploded bottom perspective view thereof.

The broken lines in the drawings illustrate portions of the measuring spoons set which form no part of the claimed design.

1 Claim, 9 Drawing Sheets



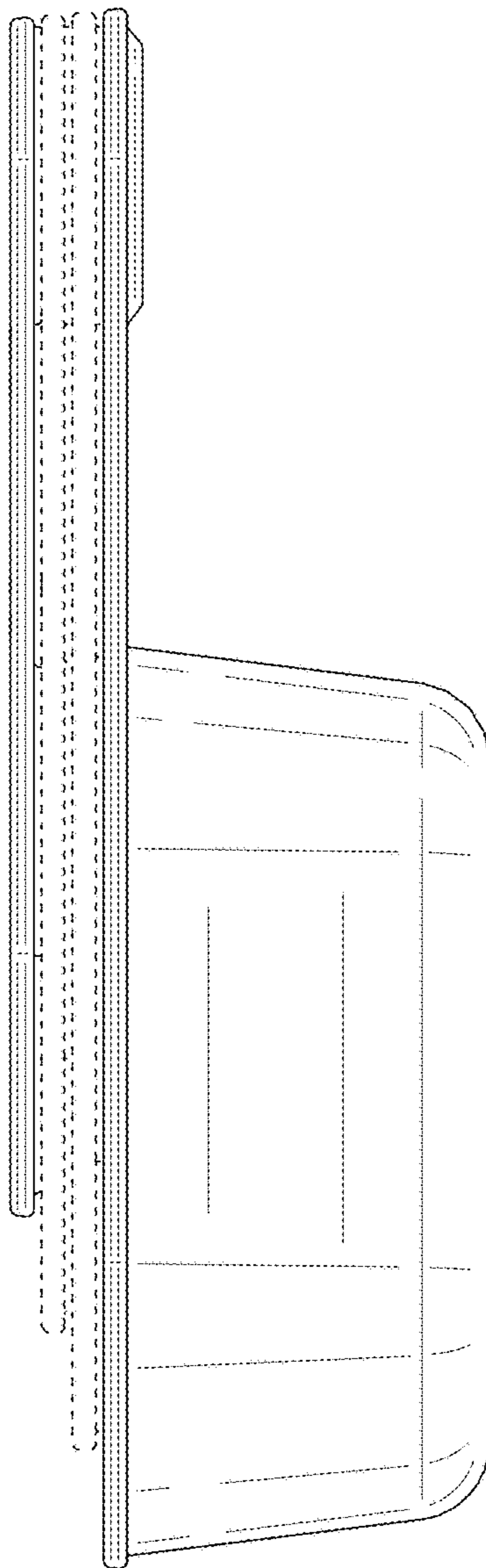


FIG. 1

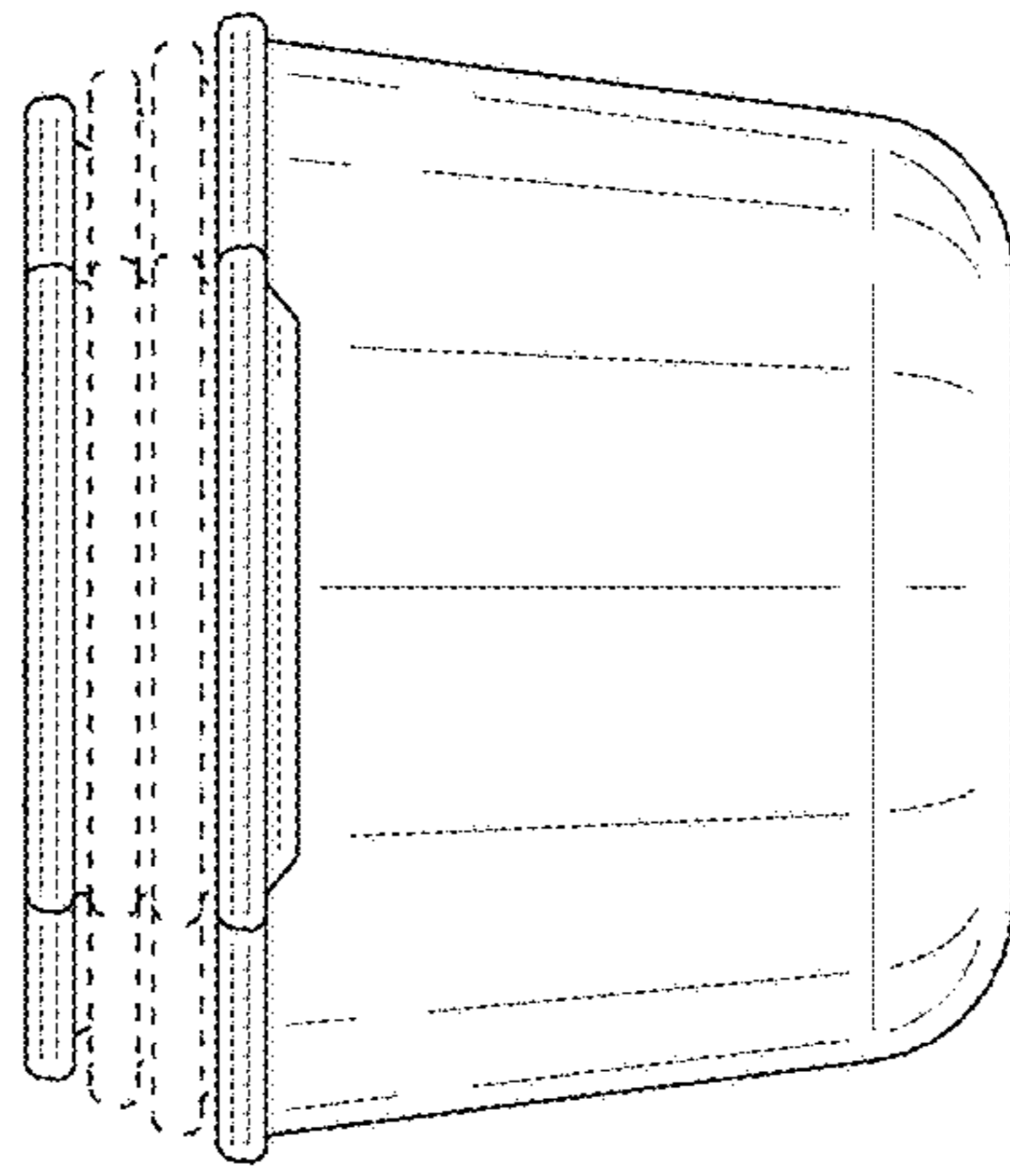


FIG. 2

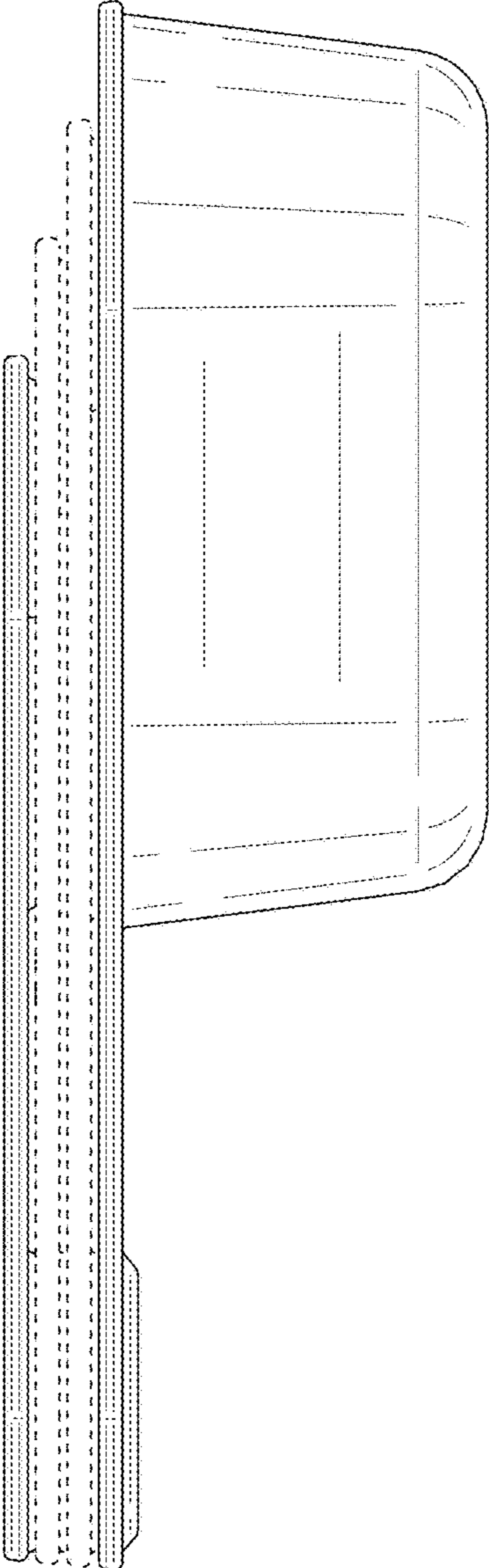


FIG. 3

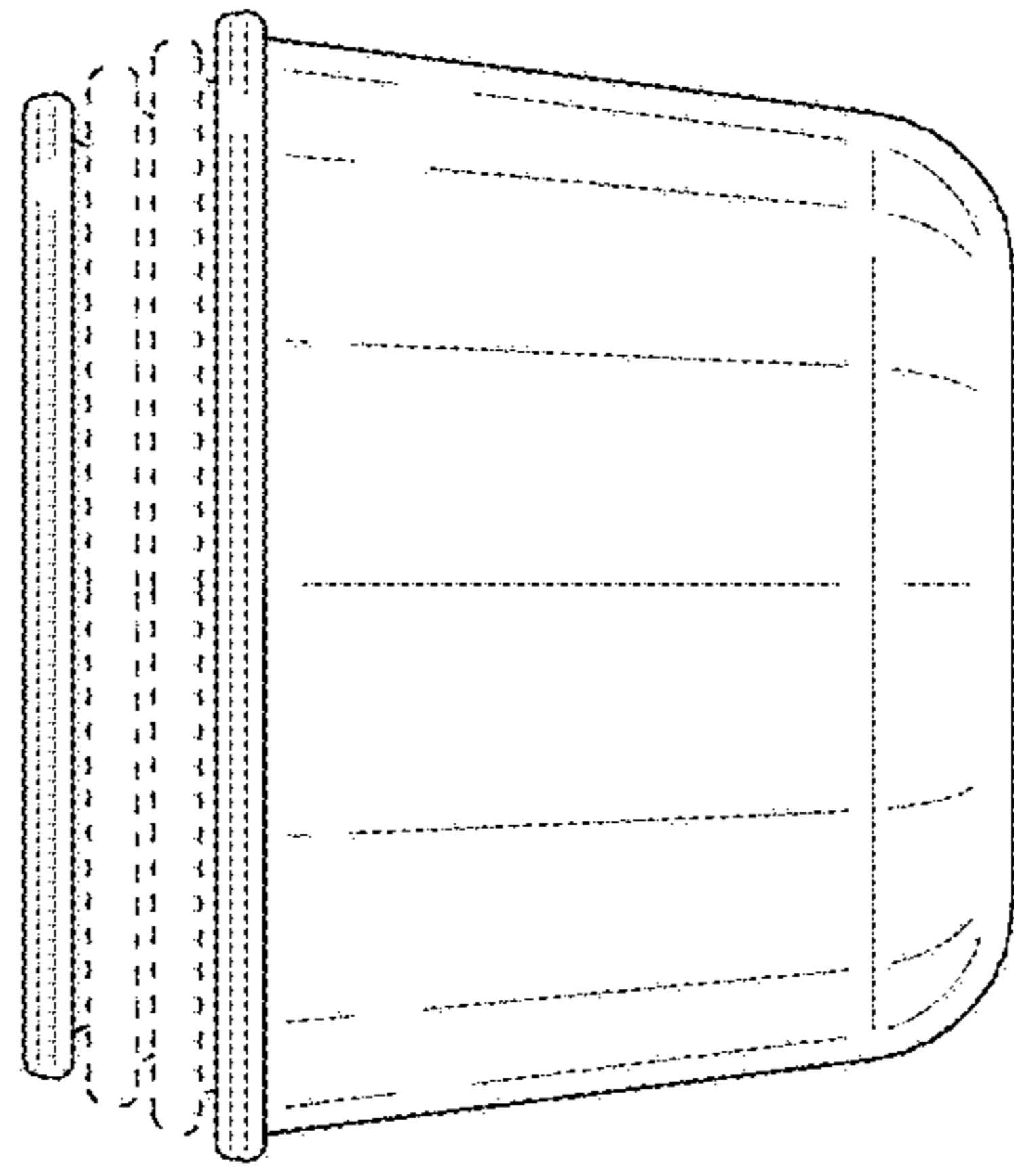


FIG. 4

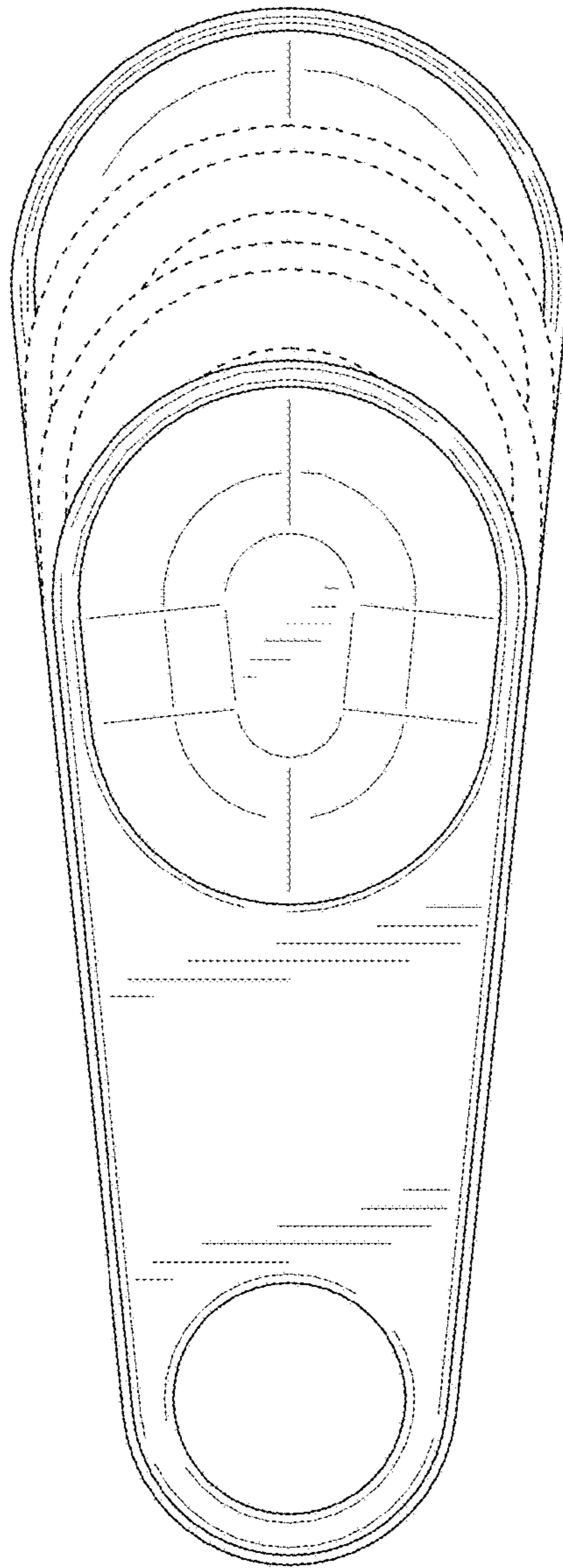


FIG. 5

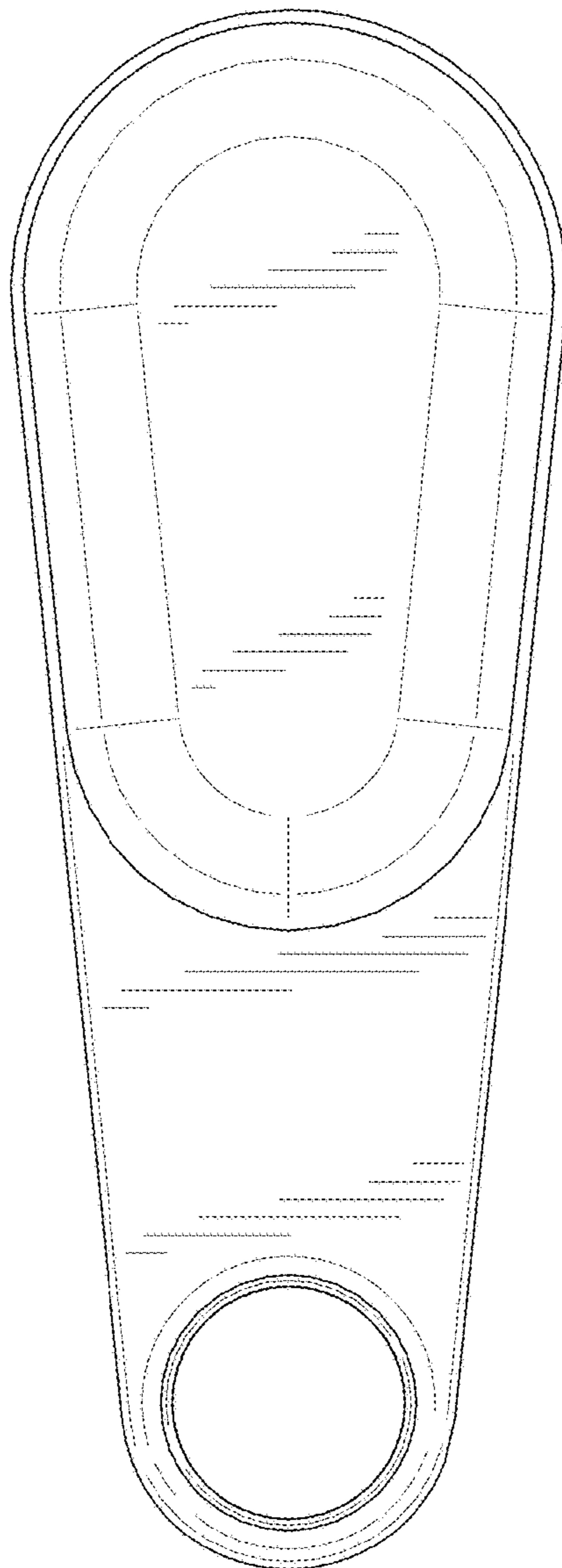


FIG. 6

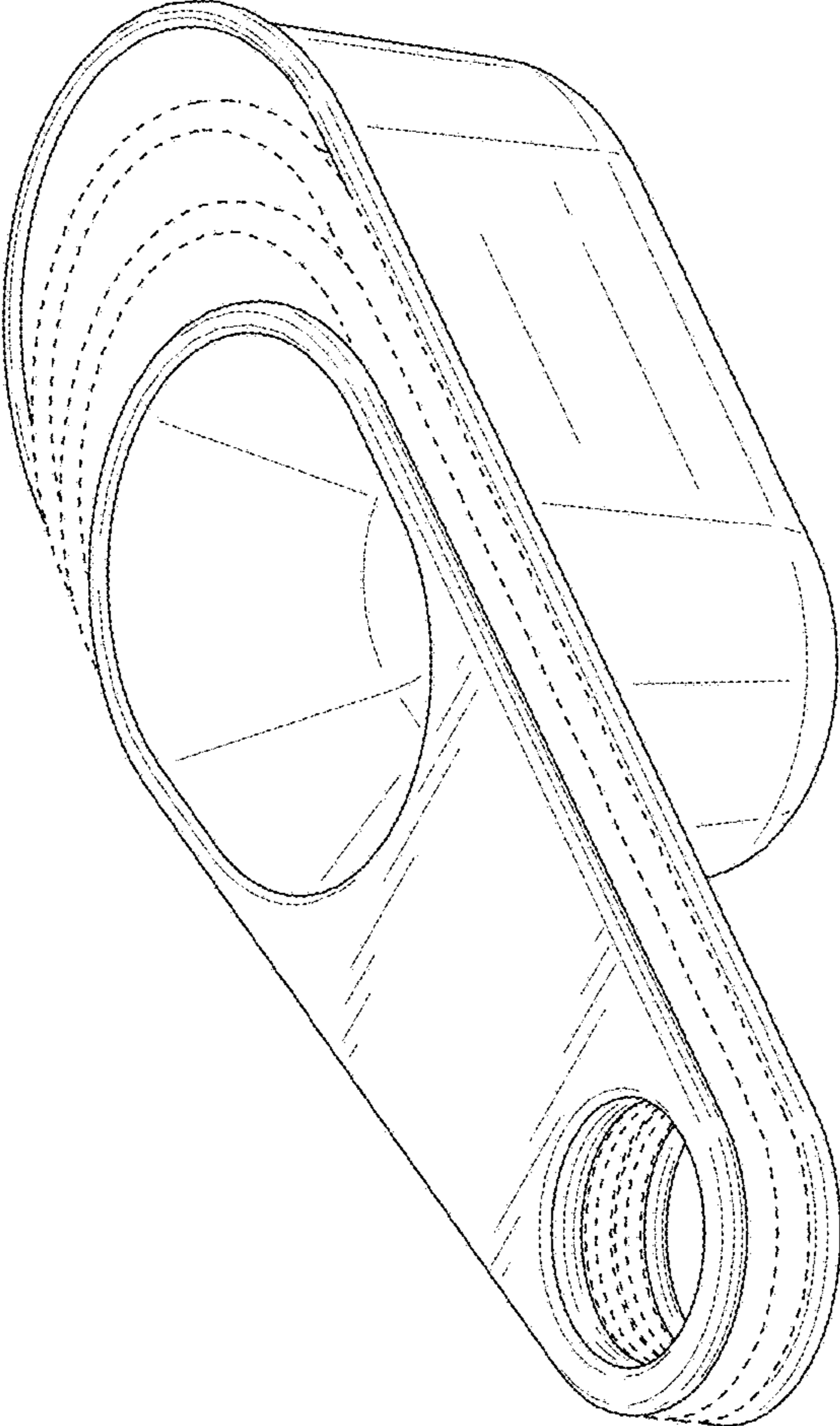


FIG. 7

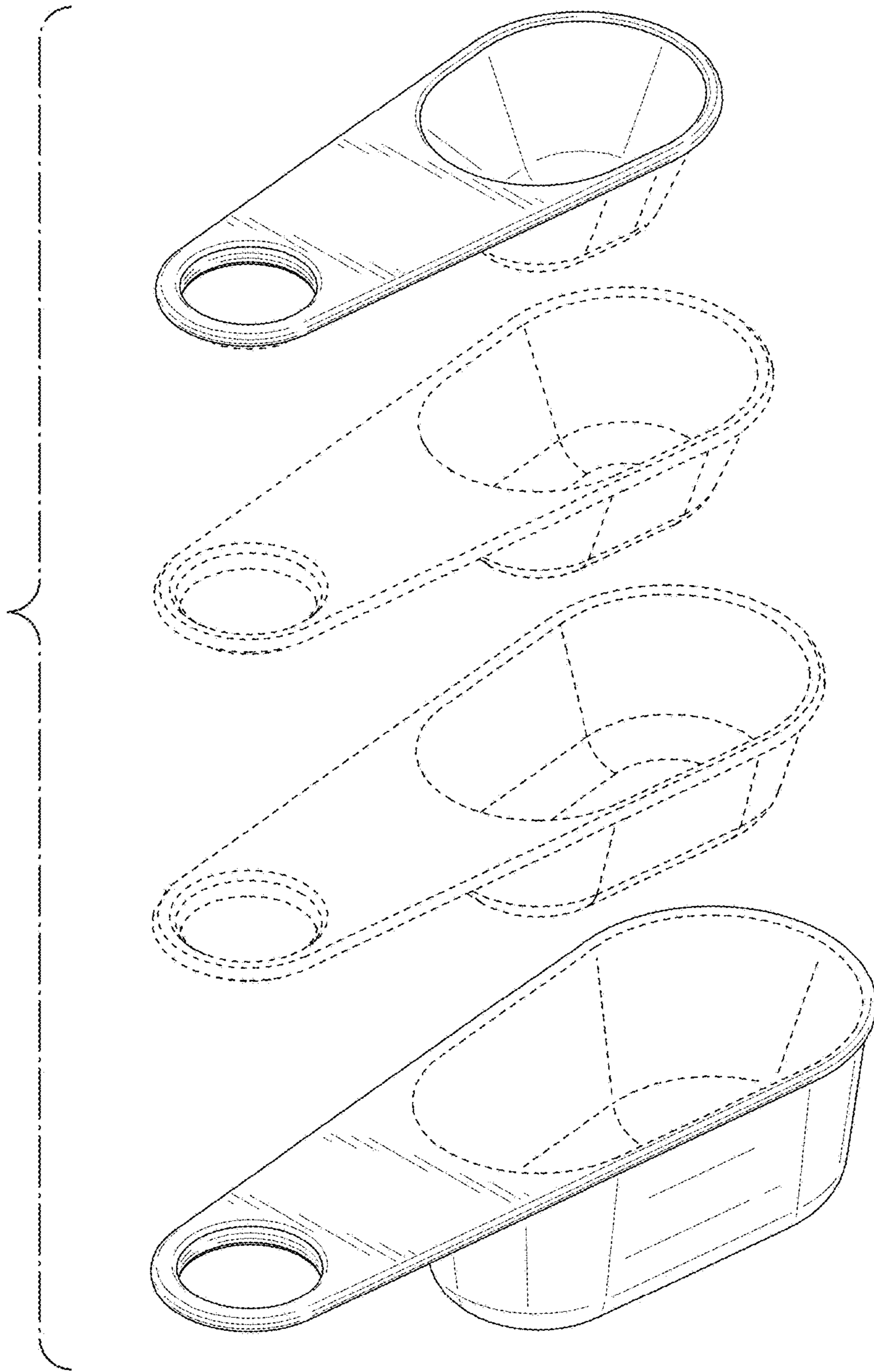


FIG. 8

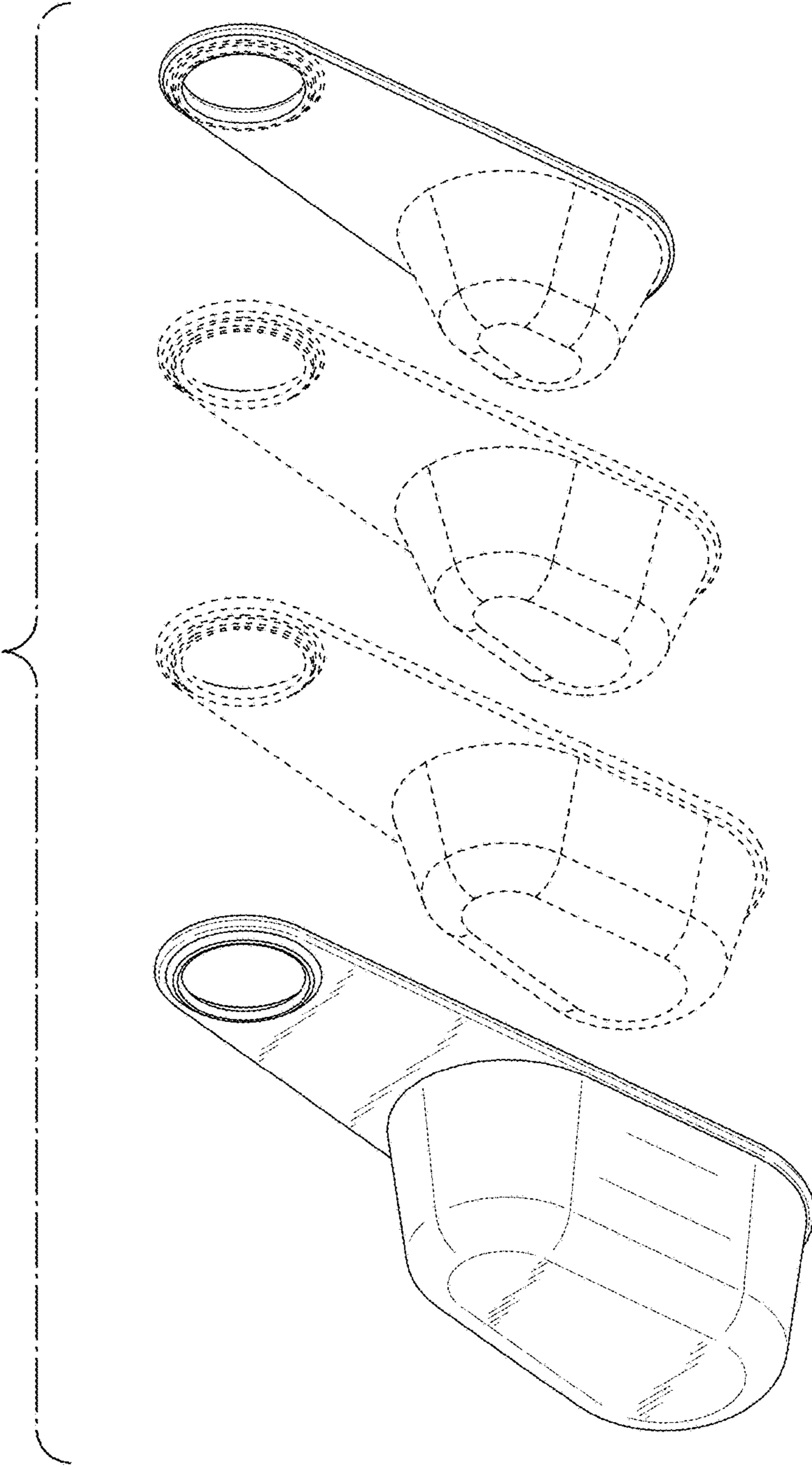


FIG. 9