



US00D854427S

(12) **United States Design Patent** (10) **Patent No.:** **US D854,427 S**
Lee (45) **Date of Patent:** **** Jul. 23, 2019**

(54) **WATCH CASE**
(71) Applicant: **Cartier International AG**, Steinhausen (CH)
(72) Inventor: **Sun Min Lee**, Paris (FR)
(73) Assignee: **Cartier International AG**, Steinhausen (CH)

D453,689 S * 2/2002 Lepeu D10/32
D460,921 S * 7/2002 Helleu D10/32
D468,217 S * 1/2003 Lepeu D10/32
D493,374 S * 7/2004 Arlanda D10/32
D494,875 S * 8/2004 Chodat D10/39
D498,683 S * 11/2004 Arabov D10/39
D508,212 S * 8/2005 Scheufele D10/39
D508,421 S * 8/2005 Diltoer D10/39

(Continued)

(**) Term: **15 Years**
(21) Appl. No.: **29/610,445**
(22) Filed: **Jul. 12, 2017**
(51) **LOC (11) Cl.** **10-02**
(52) **U.S. Cl.**
USPC **D10/39**
(58) **Field of Classification Search**
USPC D10/1-3, 6, 14-16, 23, 30-39, 41, 65,
D10/70, 122-132; D11/95, 101, 107,
D11/109, 110, 224; D14/344
See application file for complete search history.

OTHER PUBLICATIONS

Panthere de Cartier Art Deco | posted at Heirloom2.com n.d. [online][site visited May 24, 2018]. Available from Internet: <http://www.heirloom2.com/non-chronographs_2.htm> p. 30.*

(Continued)

Primary Examiner — Sandra S Snapp
Assistant Examiner — Katherine Glennon
(74) *Attorney, Agent, or Firm* — Taft Stettinius & Hollister LLP

(56) **References Cited**

U.S. PATENT DOCUMENTS

D4,948 S * 5/1871 Ingraham D10/128
D150,048 S * 6/1948 Arpels D10/32
D150,049 S * 6/1948 Arpels D10/32
D250,693 S * 1/1979 Perrin D10/39
D251,056 S * 2/1979 Perrin D10/39
D262,949 S * 2/1982 Perrin D10/32
D265,980 S * 8/1982 Kanoui D10/18
D267,549 S * 1/1983 Kanoui D10/39
D278,130 S * 3/1985 Houlihan D10/30
D280,885 S * 10/1985 Perrin D10/32
D288,066 S * 2/1987 Kanoui D10/32
D301,310 S * 5/1989 Nakai D10/32
D302,663 S * 8/1989 Basckin D10/32
D339,752 S * 9/1993 Frappe D10/125
D413,526 S * 9/1999 Perrin D10/30
D420,600 S * 2/2000 Gruosi-Scheufele D10/39

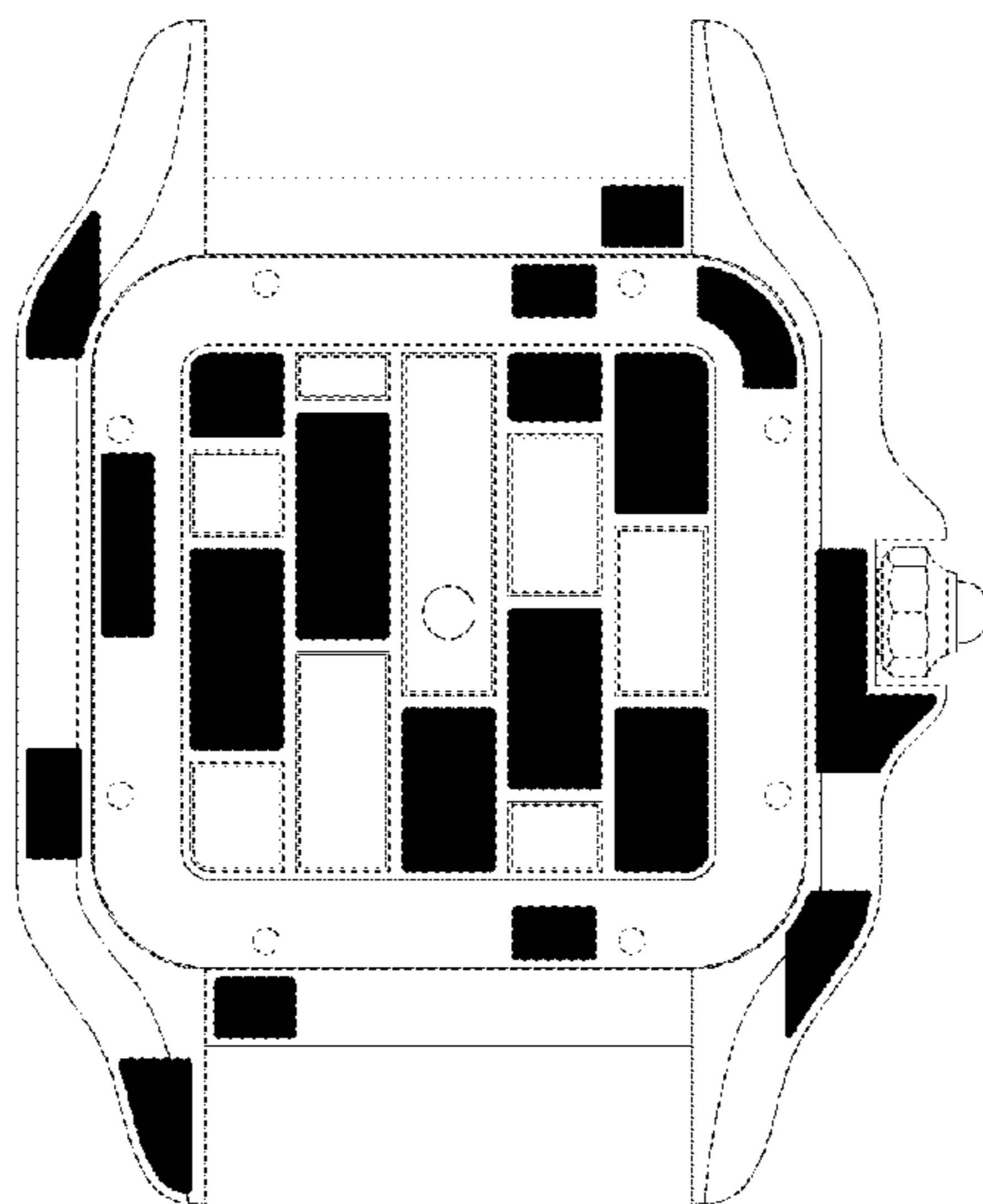
(57) **CLAIM**

The ornamental design for a watch case, as shown and described.

DESCRIPTION

FIG. 1 is a front elevational view of a watch case showing my new design;
FIG. 2 is a back elevational view thereof;
FIG. 3 is a right side elevational view thereof;
FIG. 4 is a left side elevational view thereof;
FIG. 5 is a bottom plan view thereof;
FIG. 6 is a top plan view thereof;
FIG. 7 is a front, right side perspective view thereof; and,
FIG. 8 is a back, left side perspective view thereof.
The broken lines in the drawing figures depict unclaimed subject matter that forms no part of the claimed design.

1 Claim, 1 Drawing Sheet



(56)

References Cited

U.S. PATENT DOCUMENTS

D518,402 S *	4/2006	Nataf	D10/125
D527,283 S *	8/2006	De Witt	D10/38
D547,206 S *	7/2007	Dewitt	D10/31
D562,157 S *	2/2008	Campos	D10/39
D568,181 S *	5/2008	Rabassa	D10/39
D614,050 S *	4/2010	Diltoer	D10/38
D629,324 S *	12/2010	Lattmann	D10/125
D644,951 S *	9/2011	Iacomucci	D11/12
D751,926 S *	3/2016	Lutgen	D10/126
D791,619 S *	7/2017	Rabassa	D10/30

OTHER PUBLICATIONS

Panthere de Cartier Collection | posted at Hodinkee.com Jan. 2017
© 2009-2018, Hodinkee Inc [online][site visited May 24, 2018].
Avaible from internet: <<https://www.hodinkee.com/articles/cartier-panthere-de-cartier-collection-2017-introducing> (Year: 2017).*

* cited by examiner

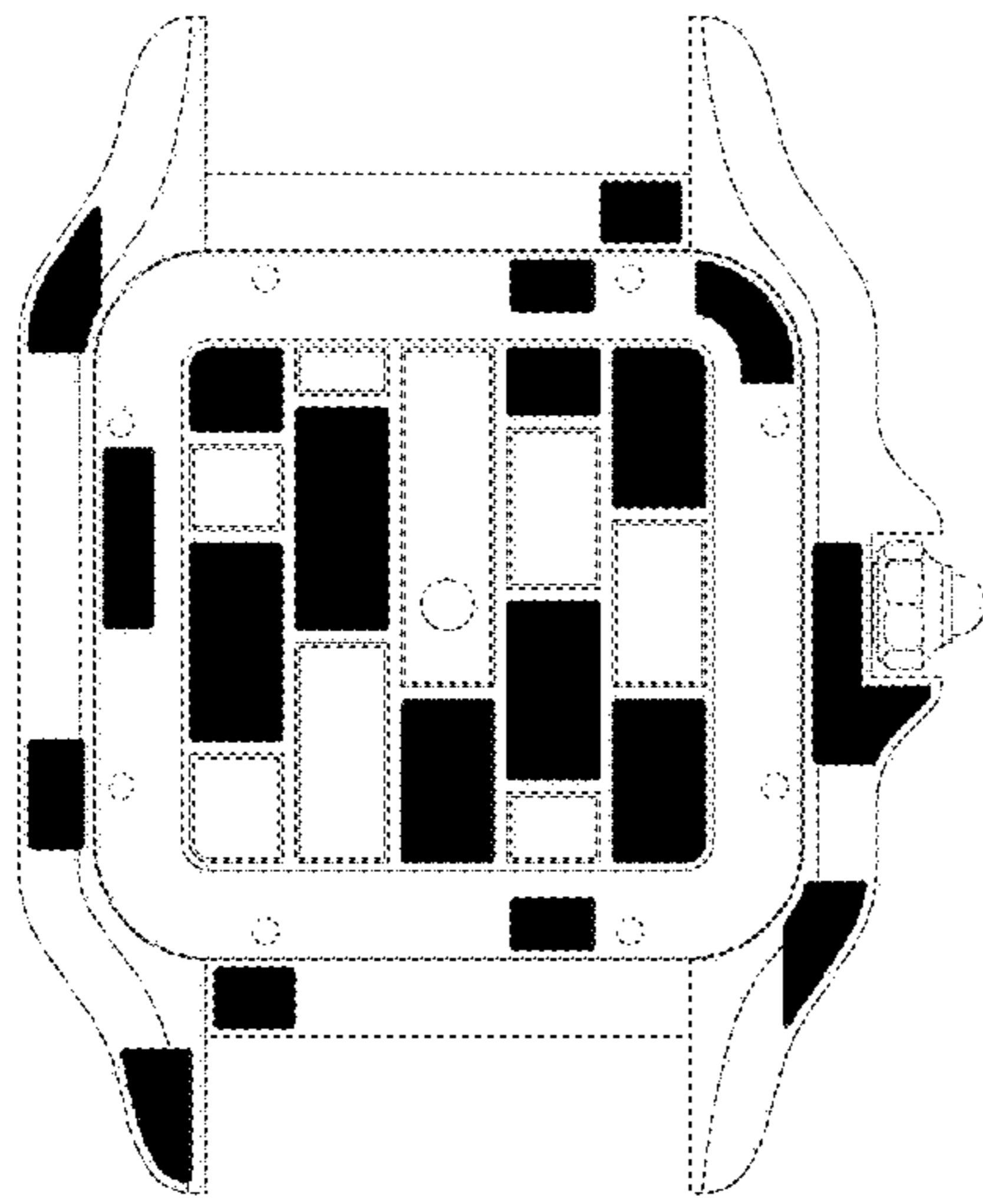


Fig. 1

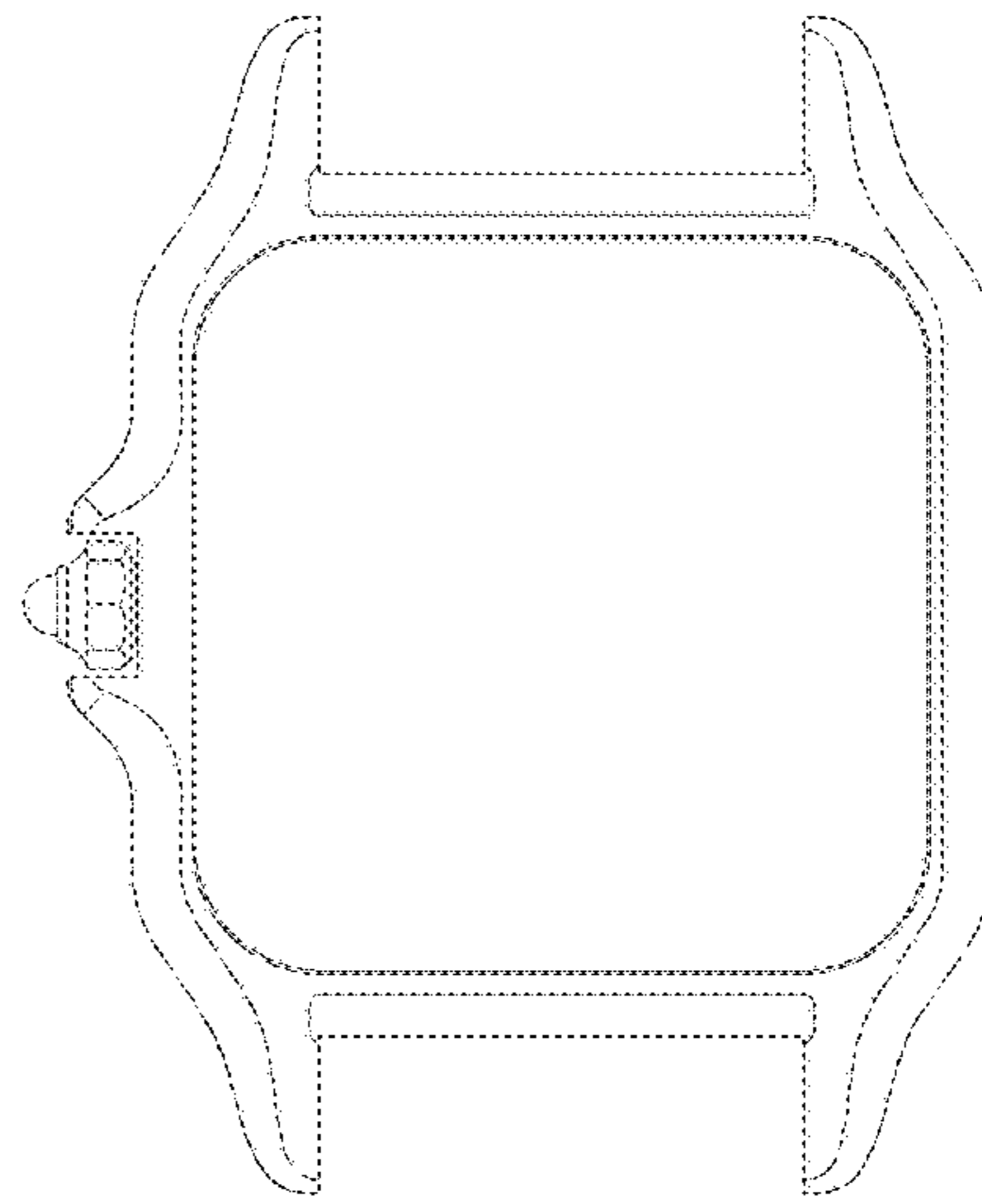


Fig. 2

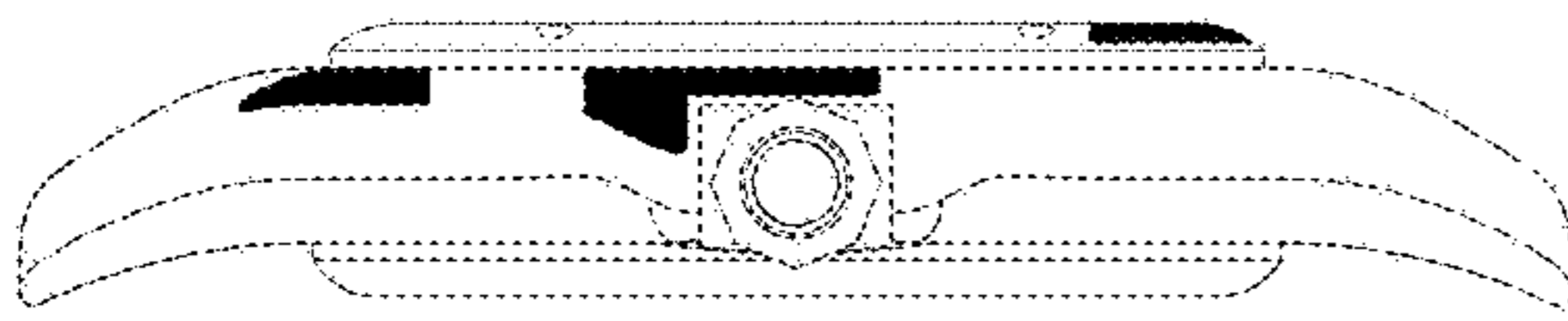


Fig. 3

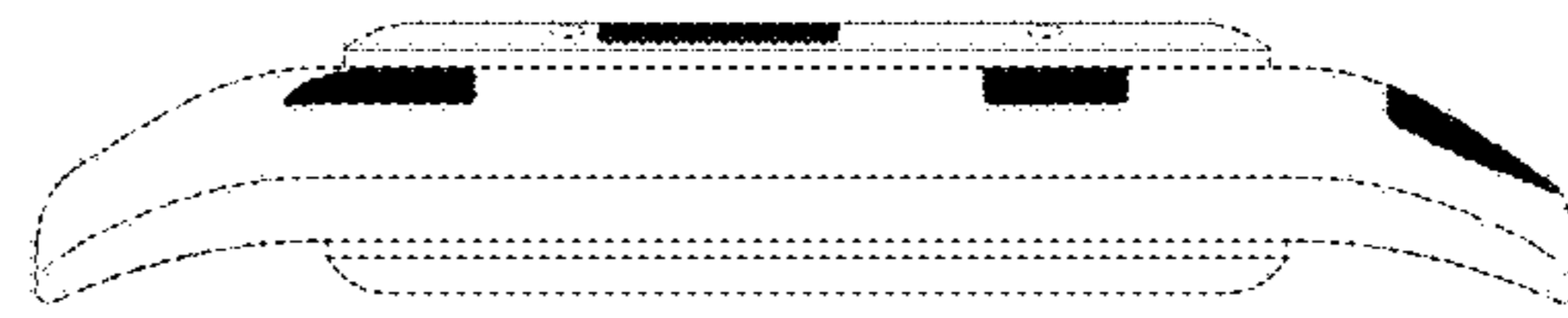


Fig. 4

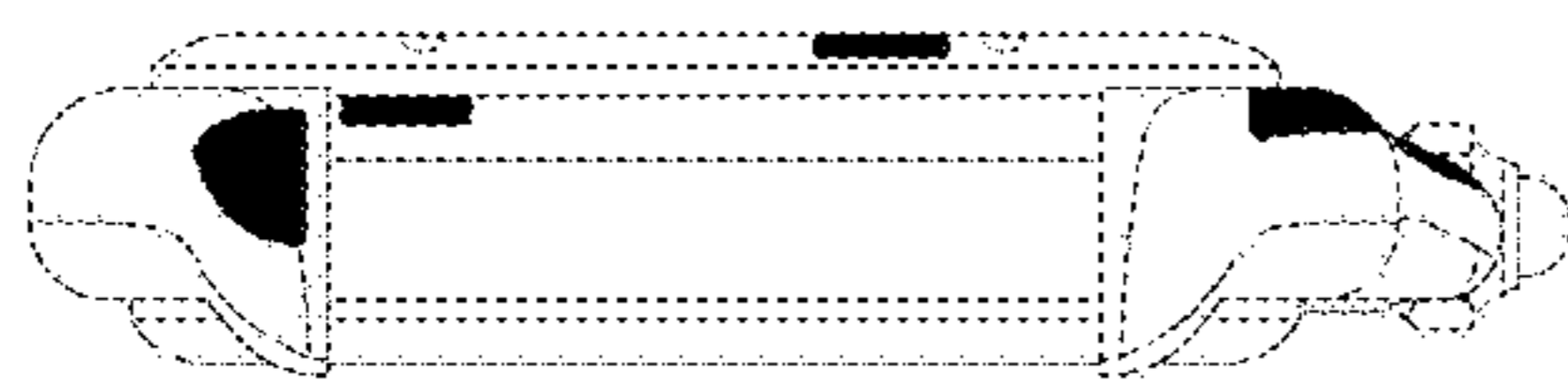


Fig. 5

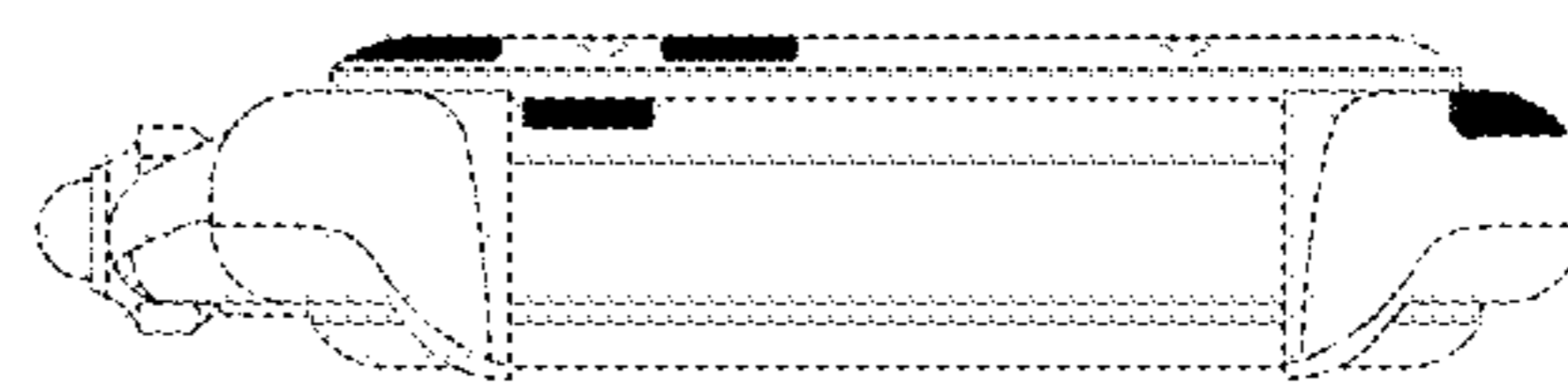


Fig. 6

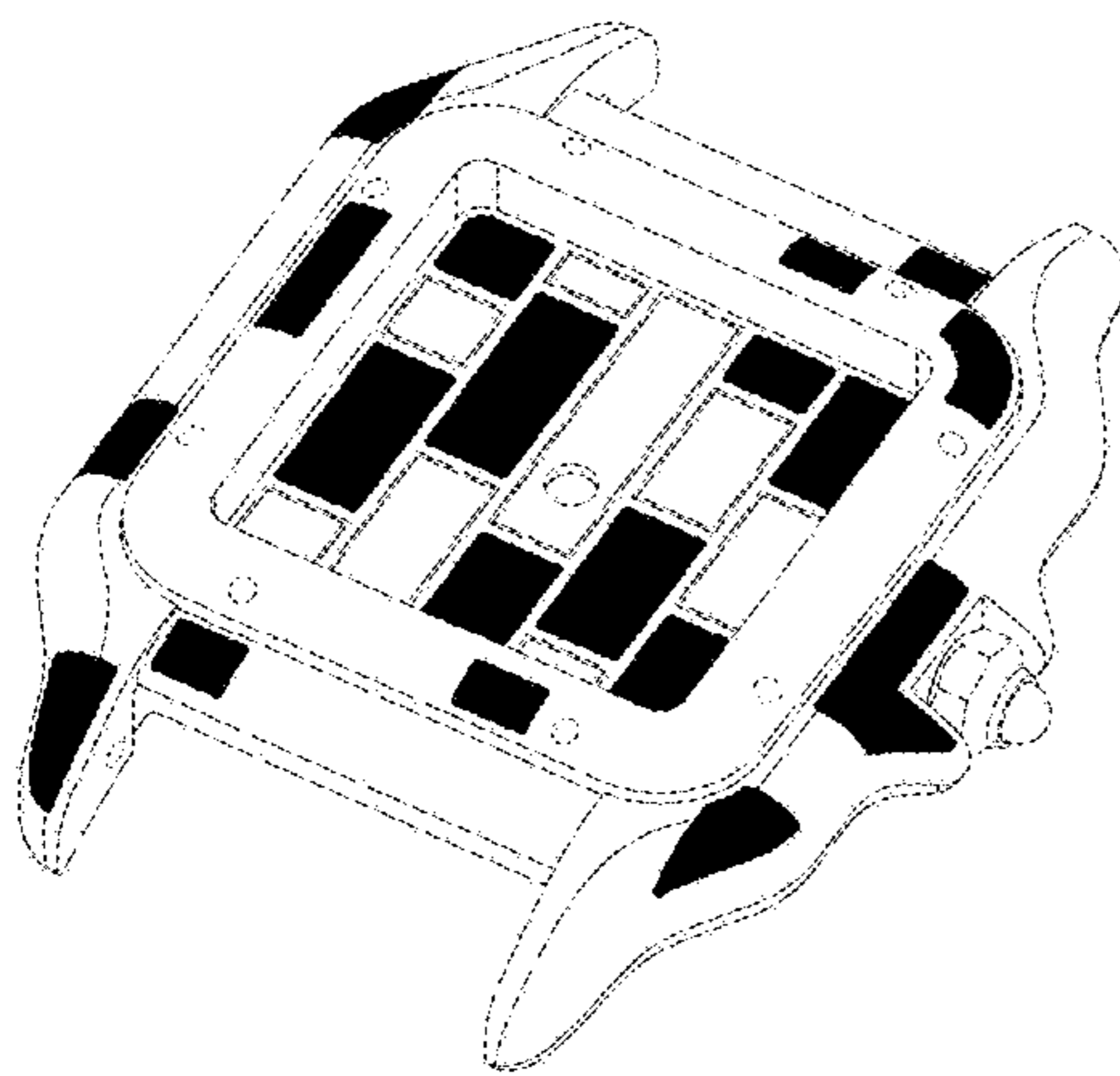


Fig. 7

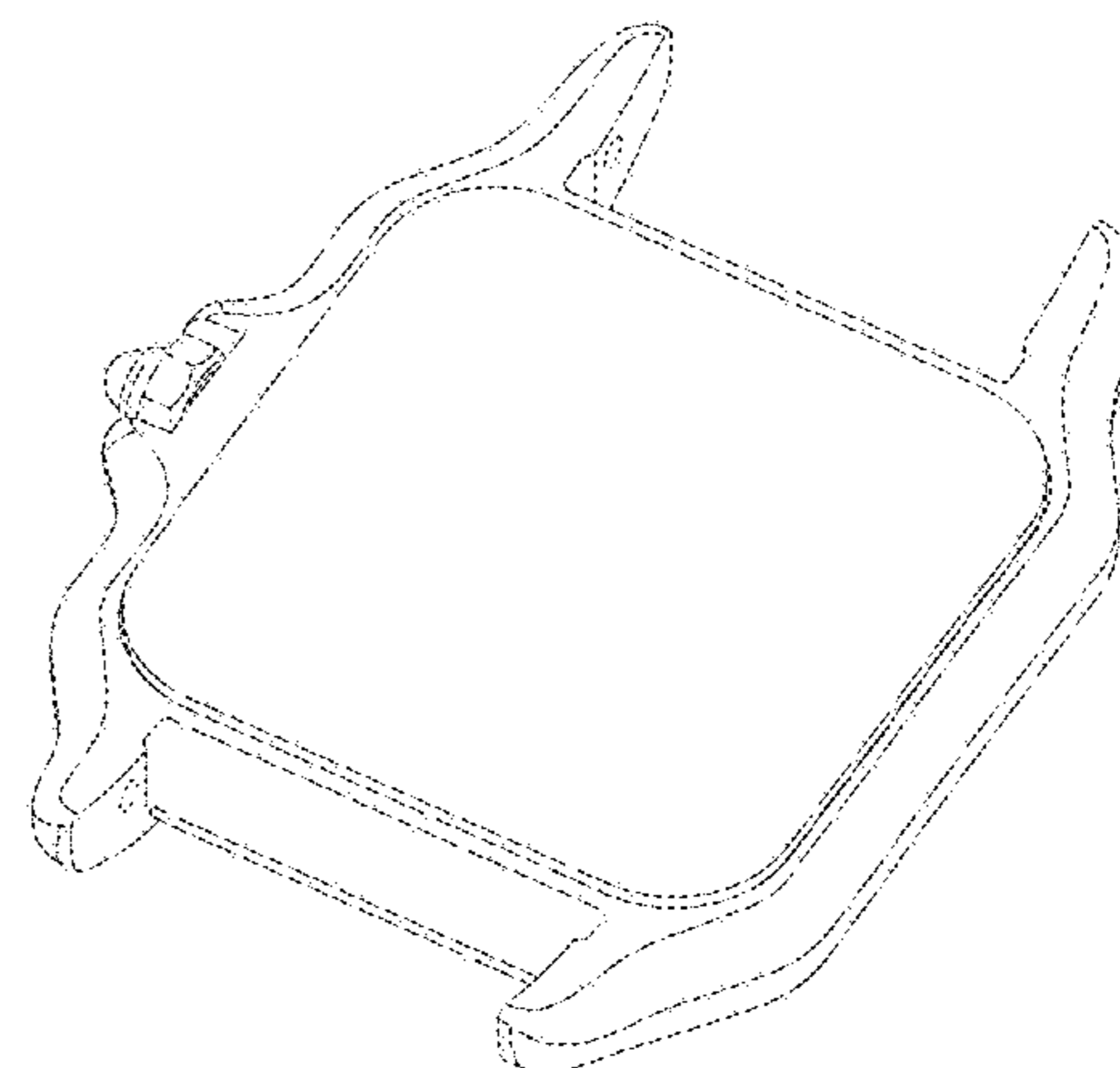


Fig. 8