



US00D854423S

(12) **United States Design Patent** (10) **Patent No.:** **US D854,423 S**
Johnson et al. (45) **Date of Patent:** **** Jul. 23, 2019**

(54) **CONTAINER TRAY**

(71) Applicants: **Dean Foods Company**, Dallas, TX (US); **Dordan Manufacturing Co.**, Woodstock, IL (US)

(72) Inventors: **Brett A. Johnson**, Belvidere, IL (US); **John Kreider**, Woodstock, IL (US); **Daniel J. Slavin**, Village of Lakewood, IL (US)

(73) Assignees: **Dean Foods Company**, Dallas, TX (US); **Dordan Manufacturing Company**, Woodstock, IL (US)

(**) Term: **15 Years**

(21) Appl. No.: **29/579,237**

(22) Filed: **Sep. 28, 2016**

(51) **LOC (11) Cl.** **09-03**

(52) **U.S. Cl.**
USPC **D9/737; D9/434**

(58) **Field of Classification Search**
USPC D9/762, 757, 737, 761, 420-426, 432, D9/418, 415, 501, 72, 739, 742, 753, 756, D9/741, 434; D7/611, 550.1, 605, 701, D7/553.1, 553.2, 614; D3/313, 304, 311, D3/314, 315; D6/396, 397, 449, 450, D6/466, 469, 629; D24/227; 206/139,
(Continued)

(56) **References Cited**

U.S. PATENT DOCUMENTS

3,272,371 A 9/1966 Weiner
3,589,511 A 6/1971 Britt
(Continued)

FOREIGN PATENT DOCUMENTS

AU 198772167 A 5/1987
EP 0335730 A2 10/1989
(Continued)

Primary Examiner — Cathron C Brooks

Assistant Examiner — W. A. Teddy Falloway

(74) *Attorney, Agent, or Firm* — Faegre Baker Daniels LLP

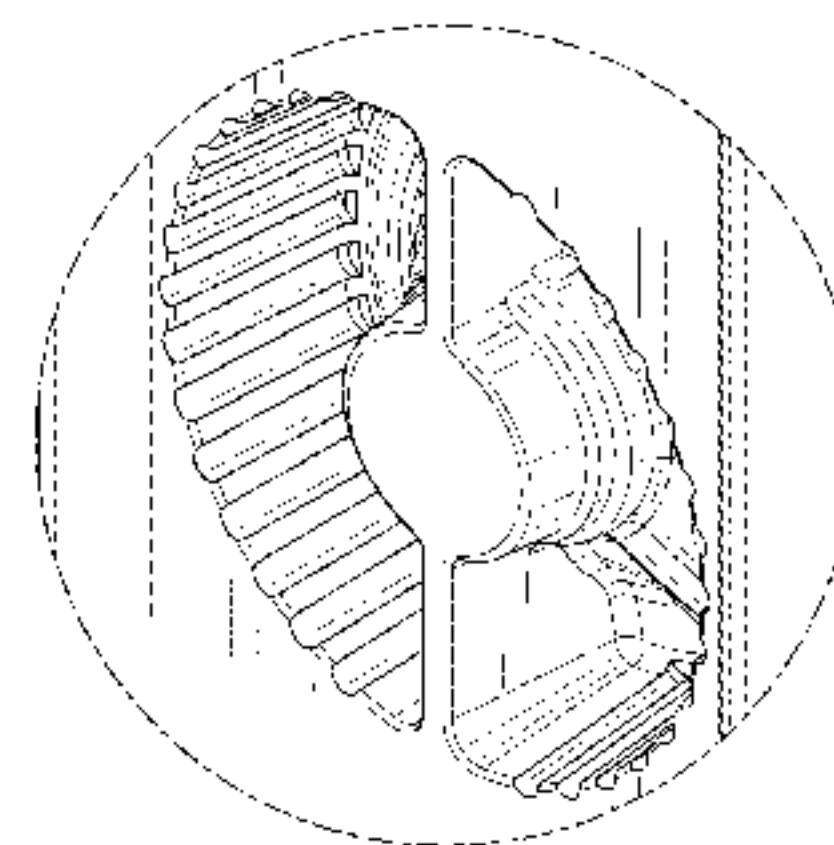
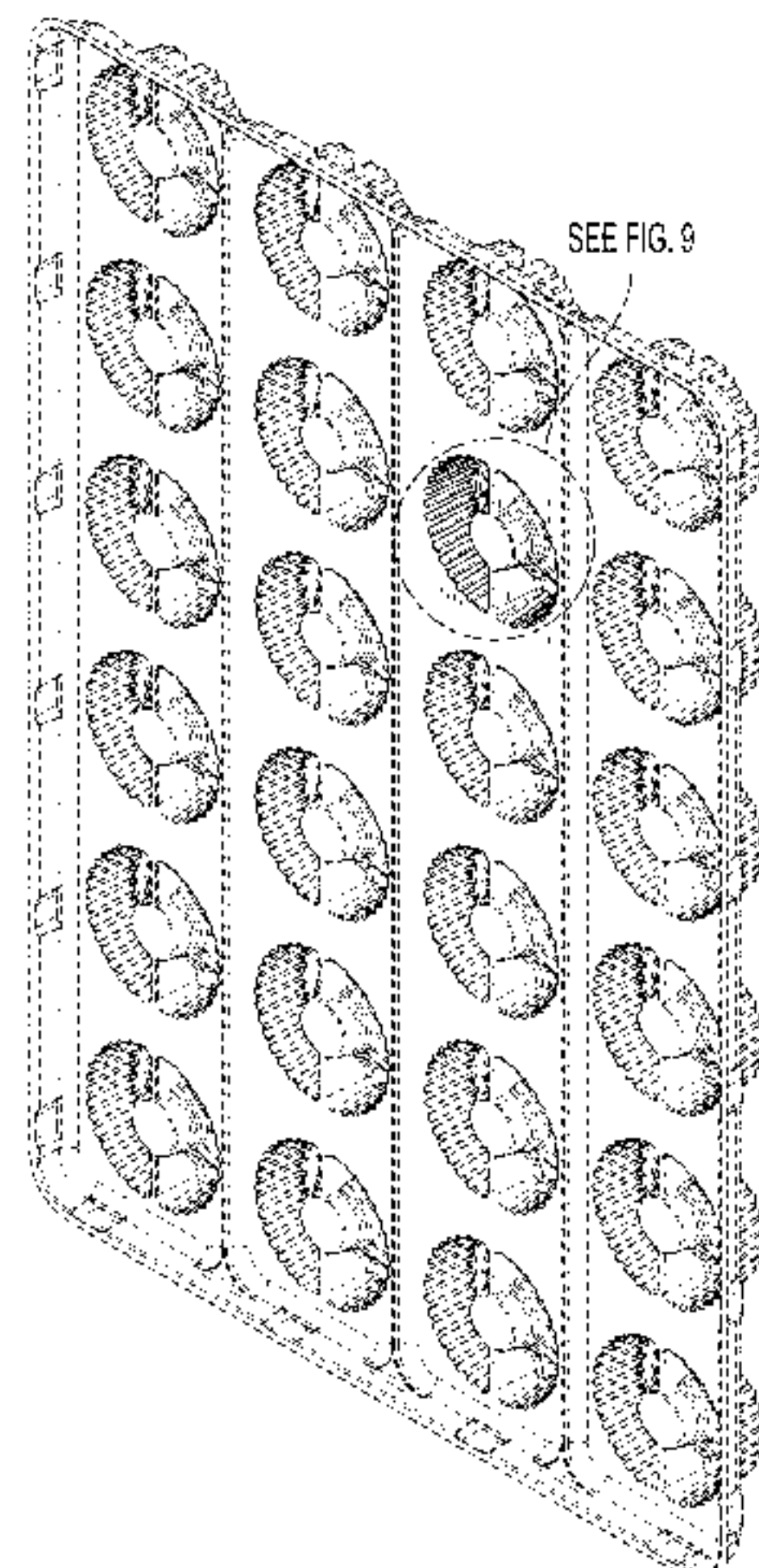
(57) **CLAIM**

The ornamental design for the container tray, as shown and described.

DESCRIPTION

FIG. 1 is a top perspective view of container tray illustrating our new design;
FIG. 2 is a bottom perspective view of container tray;
FIG. 3 is a back cross-sectional view of container tray taken along line 3 of FIG. 2;
FIG. 4 is a front cross-sectional view of container tray taken along line 4 of FIG. 2;
FIG. 5 is a right side cross-sectional view of container tray taken along line 5 of FIG. 2;
FIG. 6 is a left side cross-sectional view of container tray taken along line 6 of FIG. 2;
FIG. 7 is a top view of container tray;
FIG. 8 is a bottom view of container tray;
FIG. 9 is a detailed view of the area that is within the dashed dotted circle of FIG. 1;
FIG. 10 is a detailed view of the area that is within the dashed dotted circle of FIG. 2;
FIG. 11 is a detailed view of the area that is within the dashed dotted circle of FIG. 3;
FIG. 12 is a detailed view of the area that is within the dashed dotted circle of FIG. 5;
FIG. 13 is a detailed view of the area that is within the dashed dotted circle of FIG. 7; and,
FIG. 14 is a detailed view of the area that is within the dashed dotted circle of FIG. 8.
The broken lines illustrate portions of the container tray that form no part of the claimed design.

1 Claim, 9 Drawing Sheets



(58) **Field of Classification Search**

USPC 206/201–203, 427, 265, 504, 518, 519,
 206/524.1, 557, 561, 564, 565, 703, 704,
 206/705, 523, 586, 515, 521.1, 521.15,
 206/521.3, 521.6, 521.8, 521.4, 521.9,
 206/406; 220/4.26, 508; 229/406;
 426/119, 112, 298, 614; D11/143, 155,
 D11/156
 CPC B65D 71/70; B65D 1/36; B65D 21/0231;
 B65D 21/048; B65D 5/503; B65D
 85/305; B65D 2543/00194; B65D
 2543/00296; B65D 43/162; B65D
 2543/00324; B65D 83/0445; B65B 21/02
 See application file for complete search history.

D628,485 S * 12/2010 Golota D9/455
 7,891,635 B2 2/2011 Rowland
 7,984,806 B2 7/2011 Matheou
 8,047,392 B2 11/2011 Eiten et al.
 8,133,049 B1 3/2012 Sullivan et al.
 D658,840 S 5/2012 Nadeau
 D661,601 S * 6/2012 Sanfilippo D9/737
 8,235,214 B2 8/2012 Eiten et al.
 D667,305 S 9/2012 Kuhn et al.
 8,306,696 B2 11/2012 Holbrook et al.
 D676,711 S 2/2013 Toufayan
 8,403,144 B2 3/2013 Eiten
 D684,002 S 6/2013 Cloutier
 D684,057 S * 6/2013 Kwon D9/453
 D684,419 S 6/2013 Cloutier et al.
 8,517,190 B2 8/2013 Polizzi et al.
 D689,350 S 9/2013 Sudmalis
 D690,566 S 10/2013 Bernheim
 8,640,892 B2 2/2014 Polizzi et al.
 D701,418 S 3/2014 Tingley
 D705,061 S * 5/2014 Jo D9/435
 D705,062 S * 5/2014 Jo D9/435
 8,887,916 B2 * 11/2014 Gilfert B65D 81/113
 206/433

(56) **References Cited**

U.S. PATENT DOCUMENTS

3,740,238 A 6/1973 Graham
 3,896,239 A 7/1975 Peters
 4,009,817 A 3/1977 Marshall et al.
 D255,410 S * 6/1980 Petruzzi D11/143
 4,314,633 A 2/1982 Oliff
 4,606,454 A 8/1986 Hambleton et al.
 4,615,443 A 10/1986 Deffner et al.
 4,722,440 A * 2/1988 Johnston B65D 71/70
 206/319
 4,735,321 A 4/1988 Day
 4,750,623 A 6/1988 Flum
 4,767,004 A 8/1988 Ishihara et al.
 4,801,024 A 1/1989 Flum et al.
 4,848,573 A 7/1989 Salacuse
 4,860,888 A 8/1989 Keith
 4,865,202 A 9/1989 Day
 4,930,632 A 6/1990 Eckert et al.
 4,946,037 A 8/1990 Keith
 4,998,023 A 3/1991 Kitts
 5,014,862 A 5/1991 Bustos
 5,016,761 A 5/1991 Stoddard et al.
 5,036,976 A 8/1991 Sechler et al.
 5,147,039 A 9/1992 Sechler et al.
 D336,406 S 6/1993 Wytiuk
 5,266,369 A 11/1993 Ando et al.
 5,360,112 A 11/1994 Beauchamp
 5,647,284 A 7/1997 Frysinger et al.
 5,695,057 A * 12/1997 Sullivan B65D 85/42
 206/418
 5,706,662 A 1/1998 Van
 5,743,400 A 4/1998 Hansen et al.
 5,882,173 A 3/1999 Ziegler
 5,921,411 A 7/1999 Merl
 6,076,697 A 6/2000 Allabaugh, Jr.
 6,238,770 B1 5/2001 Moul
 6,273,006 B1 8/2001 Reutter et al.
 6,279,770 B1 8/2001 Osbakk et al.
 6,530,476 B1 3/2003 Overholt
 6,582,179 B1 6/2003 Simkowski
 6,659,019 B2 12/2003 Gruber et al.
 D485,452 S 1/2004 Boron et al.
 6,685,036 B2 2/2004 de Jenlis et al.
 6,823,803 B2 11/2004 Preisler
 6,851,563 B1 2/2005 Lipari
 6,971,518 B1 12/2005 Lowry
 D520,377 S * 5/2006 Beese D9/757
 D524,651 S * 7/2006 Perret D3/304
 7,089,871 B2 8/2006 Smith, Jr.
 D542,780 S 5/2007 Nguyen et al.
 7,267,060 B1 9/2007 Moser et al.
 D569,196 S 5/2008 Angel et al.
 D594,660 S * 6/2009 Lindstrom D3/304
 D600,016 S * 9/2009 Tiilikainen D3/304
 D600,021 S * 9/2009 Lindstrom D3/313
 D604,613 S * 11/2009 Garboni D9/447
 7,677,405 B2 3/2010 Apps et al.
 7,735,676 B2 6/2010 Ogburn

9,010,255 B2 4/2015 Baltz
 9,074,812 B2 7/2015 Rowland
 9,080,786 B2 7/2015 Rowland
 D743,793 S * 11/2015 Prince D9/456
 D744,341 S * 12/2015 Prince D9/456
 D750,975 S * 3/2016 Prince D9/758
 9,290,298 B2 3/2016 Linares
 9,315,291 B2 4/2016 Kelly et al.
 D757,548 S * 5/2016 Borg D9/434
 9,327,890 B1 5/2016 Connelly
 9,395,034 B1 7/2016 Rowland et al.
 9,409,688 B2 8/2016 Kelly et al.
 9,410,731 B1 8/2016 Rowland
 D793,252 S * 8/2017 Prince D9/755
 2003/0082366 A1 5/2003 Preisler
 2004/0255827 A1 12/2004 de Barros
 2005/0042071 A1 2/2005 Kelly
 2005/0103674 A1 5/2005 Matheou
 2005/0115472 A1 6/2005 Smith
 2006/0060617 A1 3/2006 Facey et al.
 2006/0102566 A1 5/2006 Kelly
 2006/0144071 A1 7/2006 Rowland
 2006/0272556 A1 12/2006 Apps
 2007/0215014 A1 9/2007 Lee
 2007/0256954 A1 * 11/2007 Vovan B65D 71/70
 206/521.1
 2008/0023425 A1 1/2008 Ricciardi
 2008/0029684 A1 2/2008 Rowland
 2008/0116214 A1 5/2008 Apps et al.
 2008/0135698 A1 6/2008 Gordon
 2008/0314771 A1 12/2008 Barbalho et al.
 2009/0057248 A1 3/2009 Vishnevsky
 2009/0200182 A1 * 8/2009 Post-Smith A45C 11/005
 206/5.1
 2009/0206088 A1 8/2009 Ogburn
 2009/0301980 A1 12/2009 Bürger
 2010/0030425 A1 2/2010 Holbrook et al.
 2010/0108544 A1 5/2010 Biundo
 2010/0132311 A1 6/2010 Apps et al.
 2010/0193456 A1 8/2010 Polizzi et al.
 2010/0213639 A1 8/2010 Ogburn
 2010/0326933 A1 * 12/2010 Manuel B65D 71/10
 211/71.01
 2011/0024318 A1 * 2/2011 Gilfert B65B 21/02
 206/433
 2011/0100268 A1 5/2011 Milkowski et al.
 2013/0036707 A1 2/2013 Zacchi
 2014/0174976 A1 6/2014 Ramberg et al.
 2014/0197064 A1 * 7/2014 Prince B65B 5/068
 206/501
 2014/0283713 A1 9/2014 Baltz et al.
 2015/0001114 A1 1/2015 Kelly et al.
 2015/0191275 A1 7/2015 Linares

(56)

References Cited

U.S. PATENT DOCUMENTS

2016/0280415 A1 9/2016 McDonald et al.
2018/0086525 A1* 3/2018 Johnson B65D 1/36
2019/0016516 A1* 1/2019 Ludka B65D 71/70

FOREIGN PATENT DOCUMENTS

EP 0959011 A1 11/1999
EP 1623934 B1 2/2006
EP 2746182 A1 6/2014
EP 2855292 A1 4/2015
FR 2810866 A1 1/2002
FR 2873660 B1 2/2006
GB 2182020 A 5/1987
GB 2291408 A 1/1996
GB 2327941 A 2/1999
NL 1001630 C2 5/1997
WO 1999015429 A1 4/1999
WO 2003106316 A1 12/2003
WO 2004014754 A1 2/2004
WO 2008028732 A1 3/2008
WO 2013004248 A1 1/2013
WO 2014108697 A1 7/2014
WO 2014135594 A1 9/2014
WO 2016004435 A1 1/2016

* cited by examiner

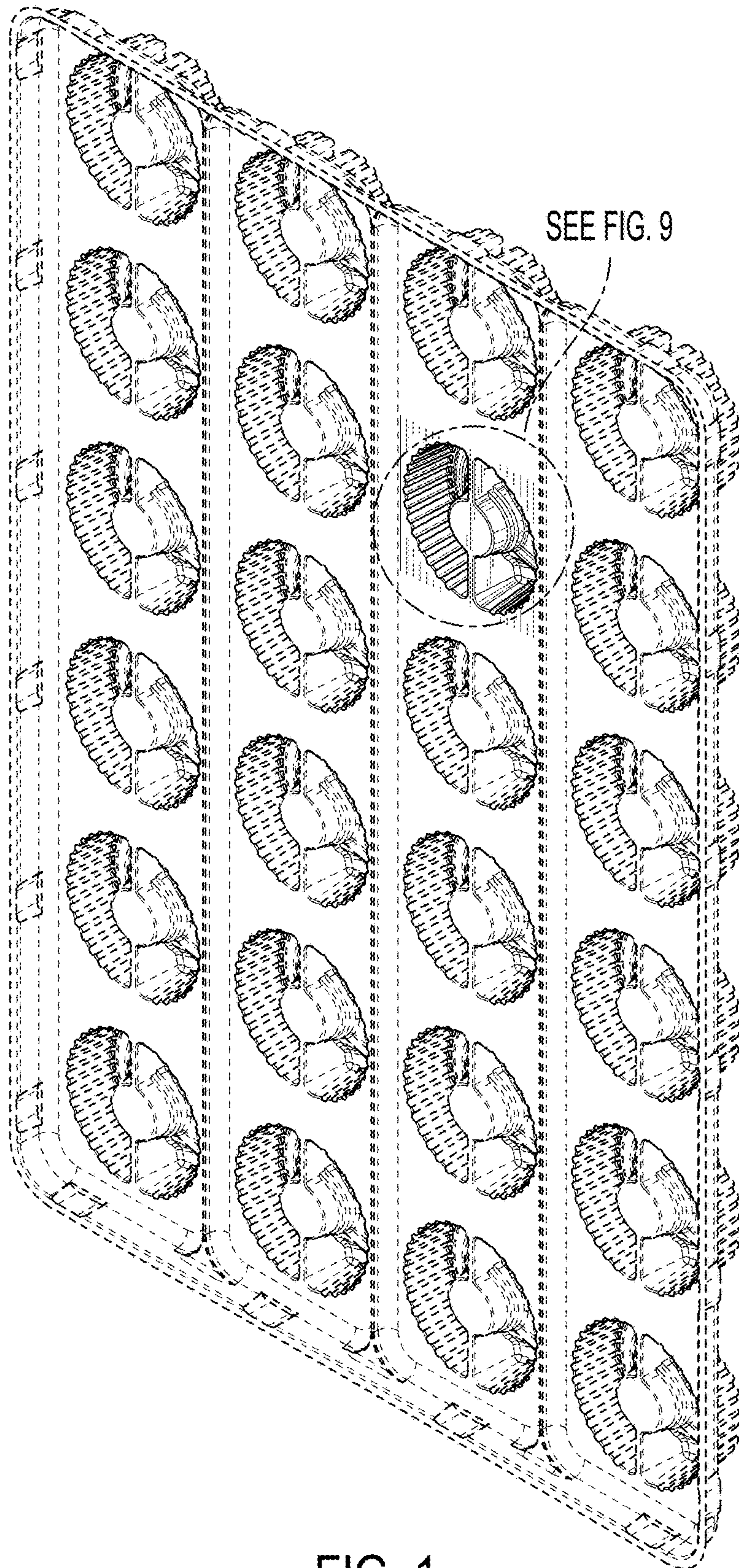
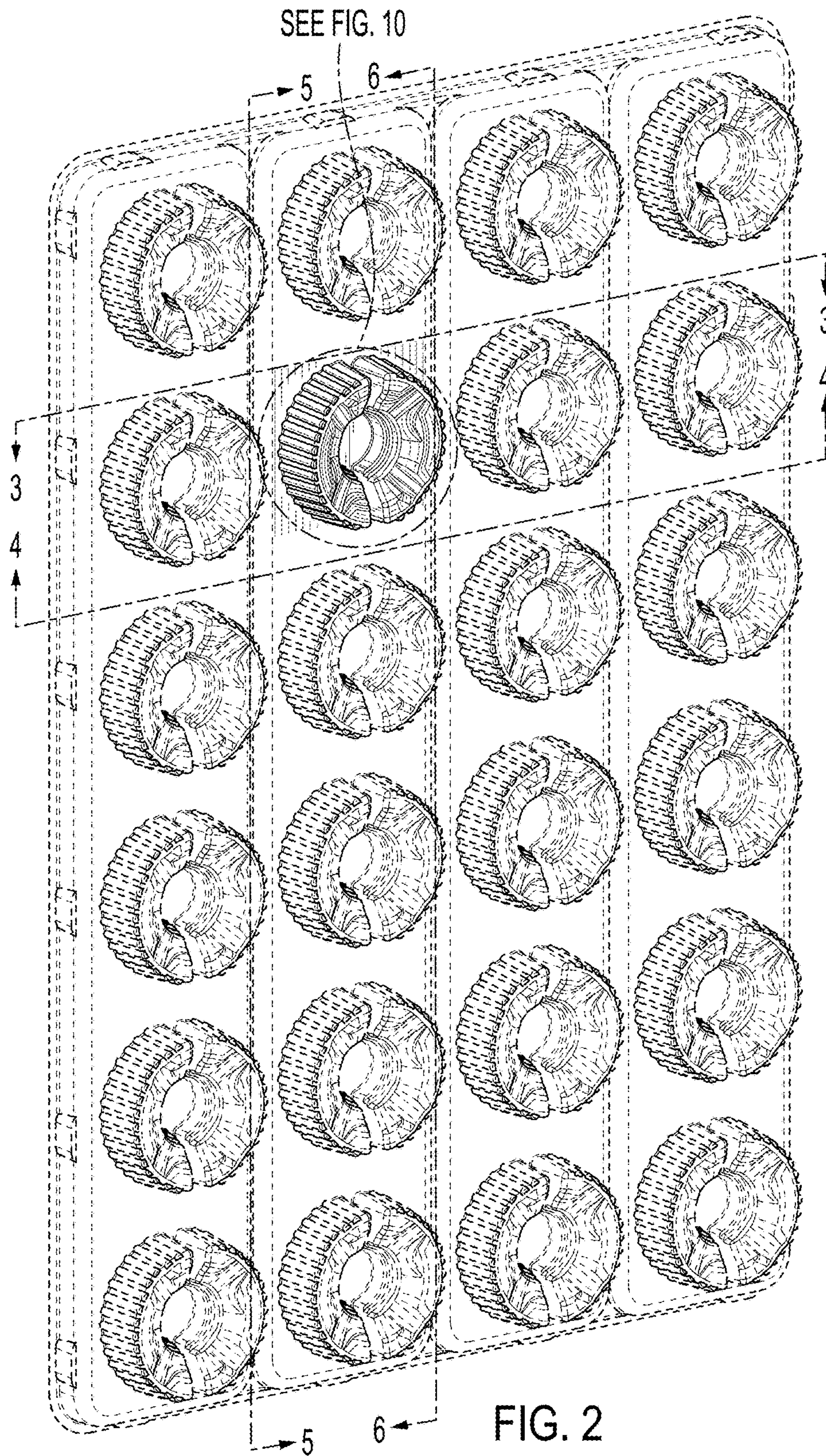


FIG. 1



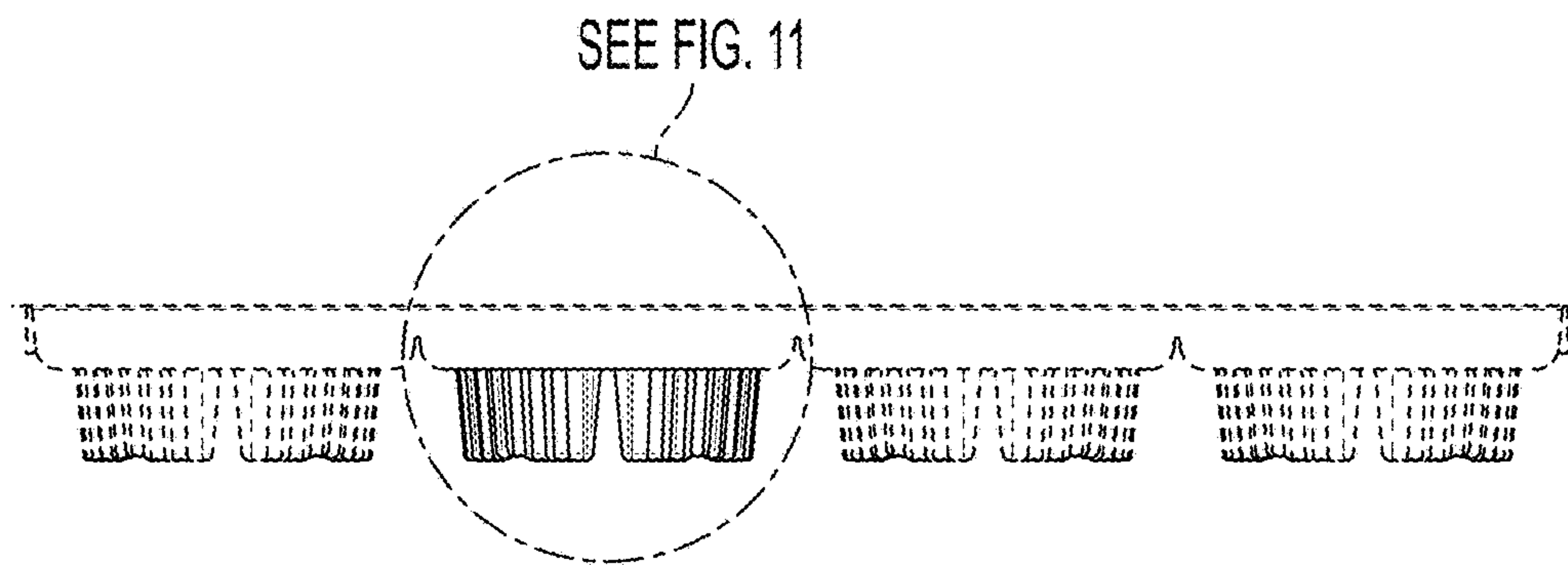


FIG. 3

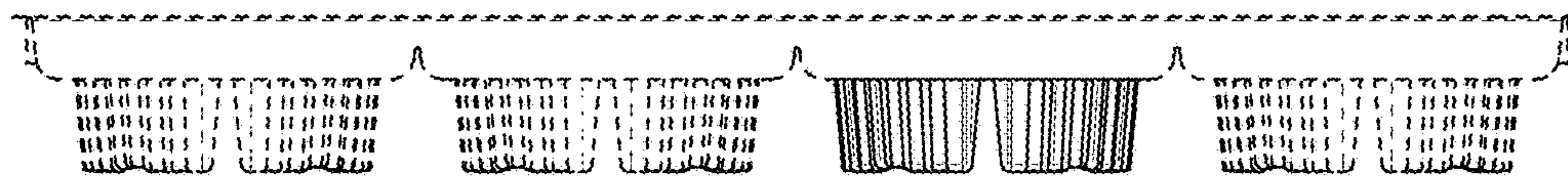


FIG. 4

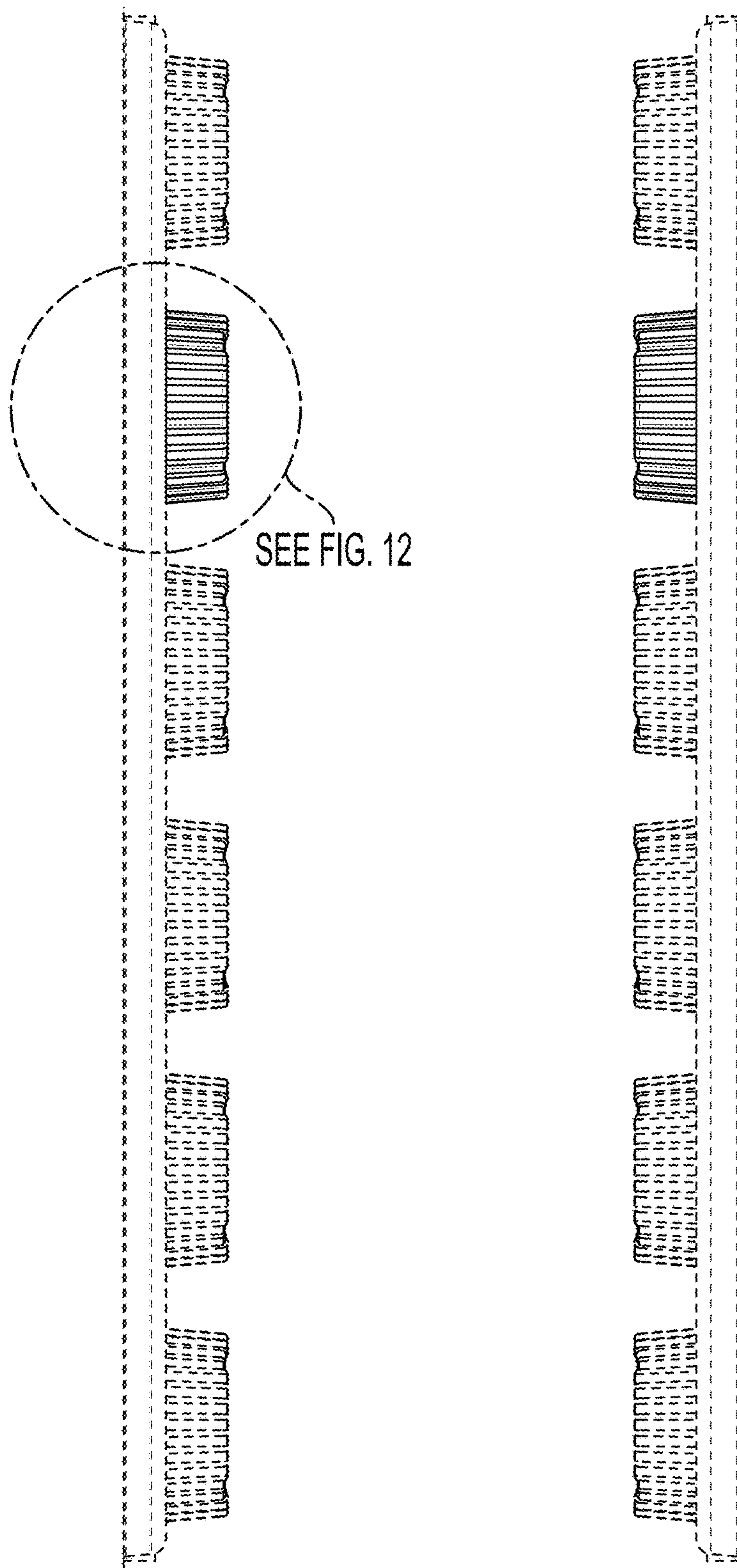


FIG. 5

FIG. 6

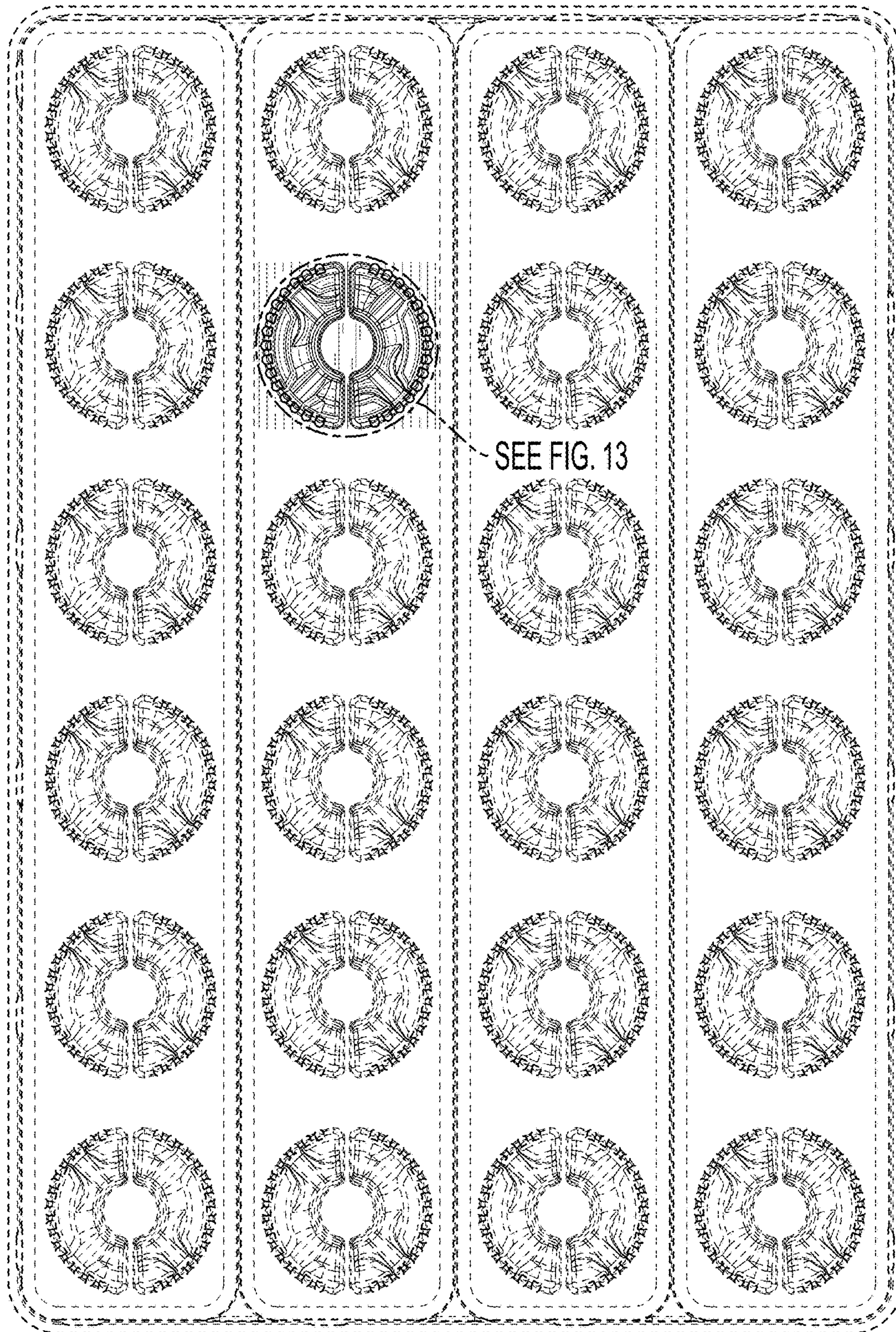


FIG. 7

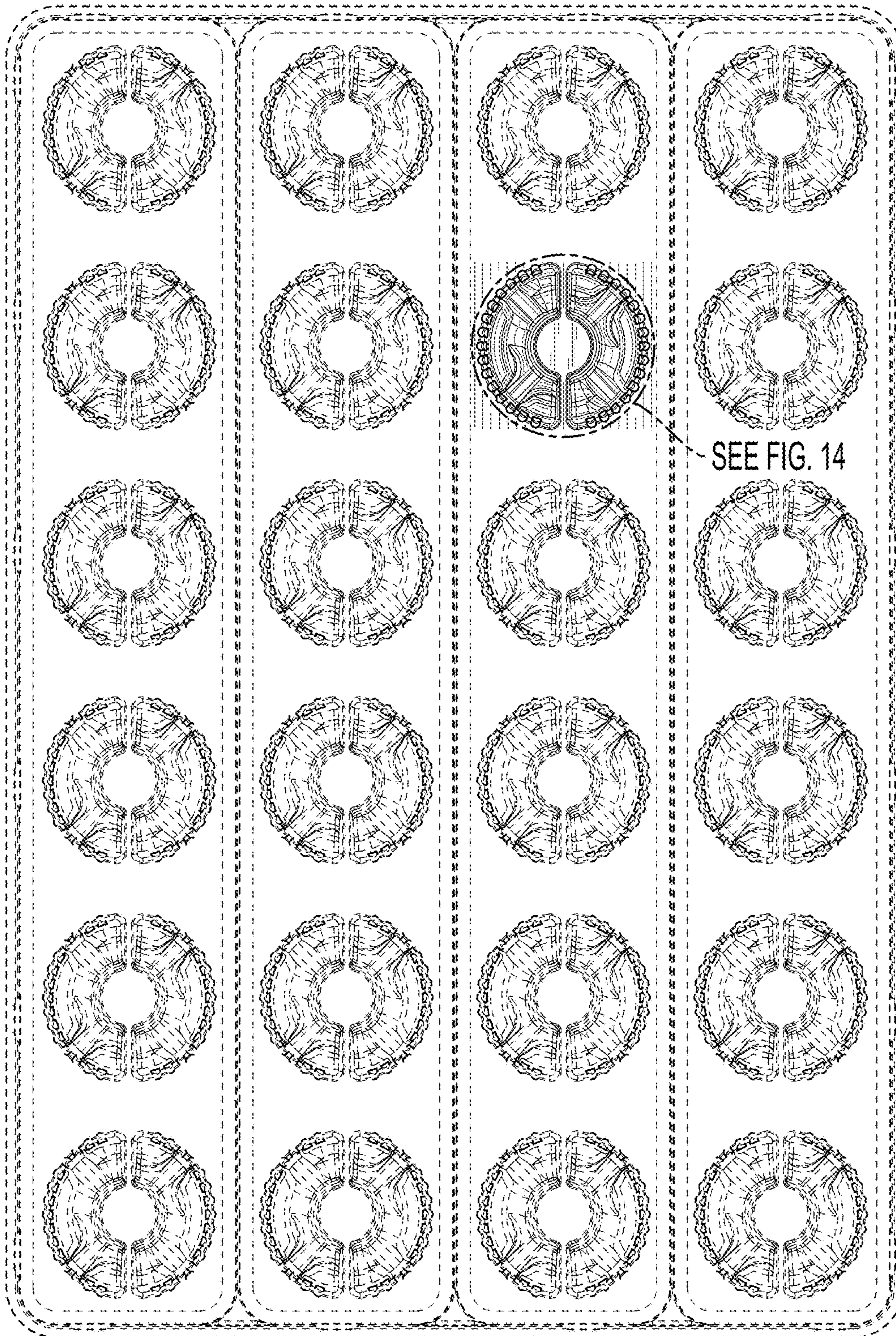


FIG. 8

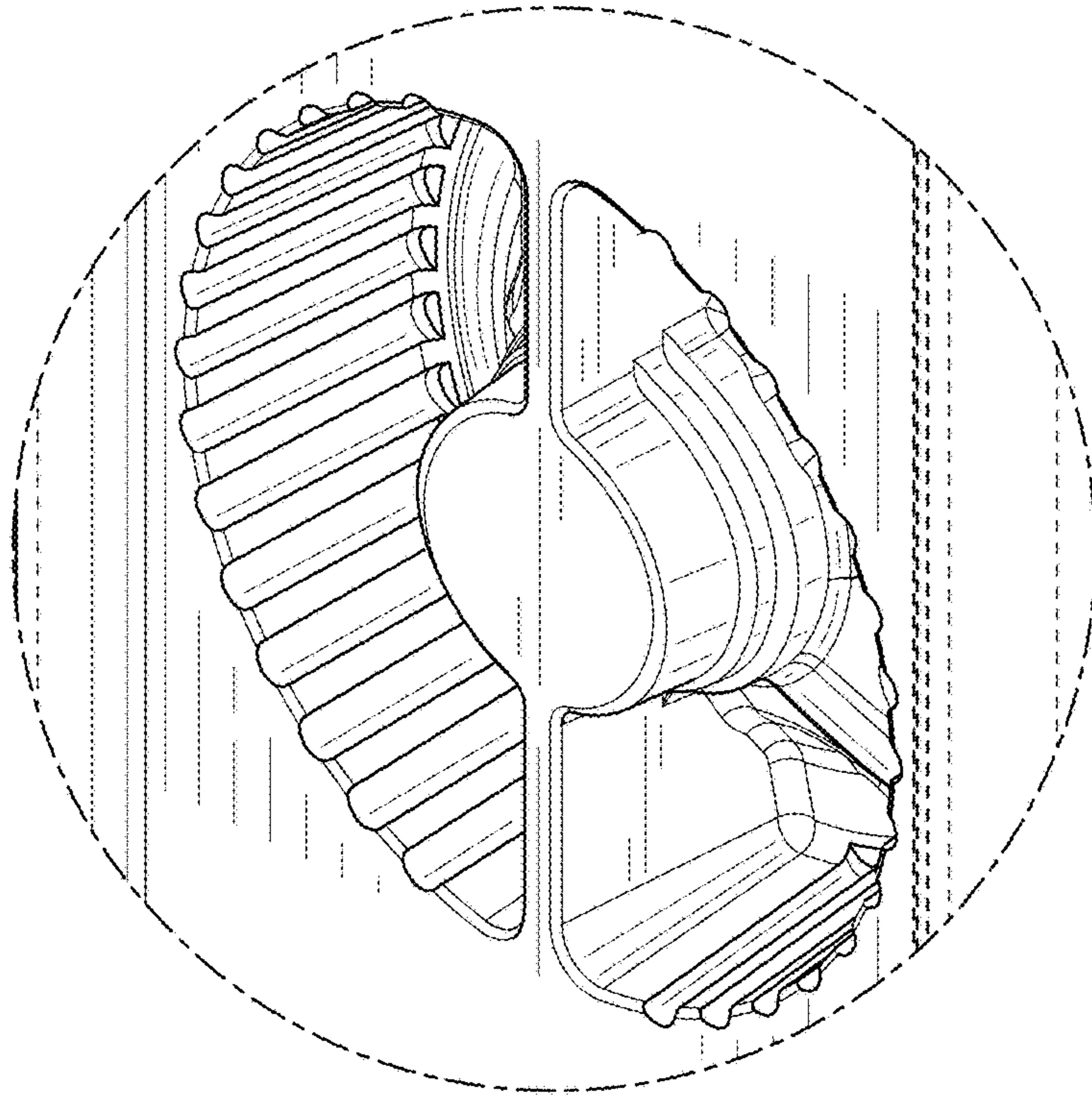


FIG. 9

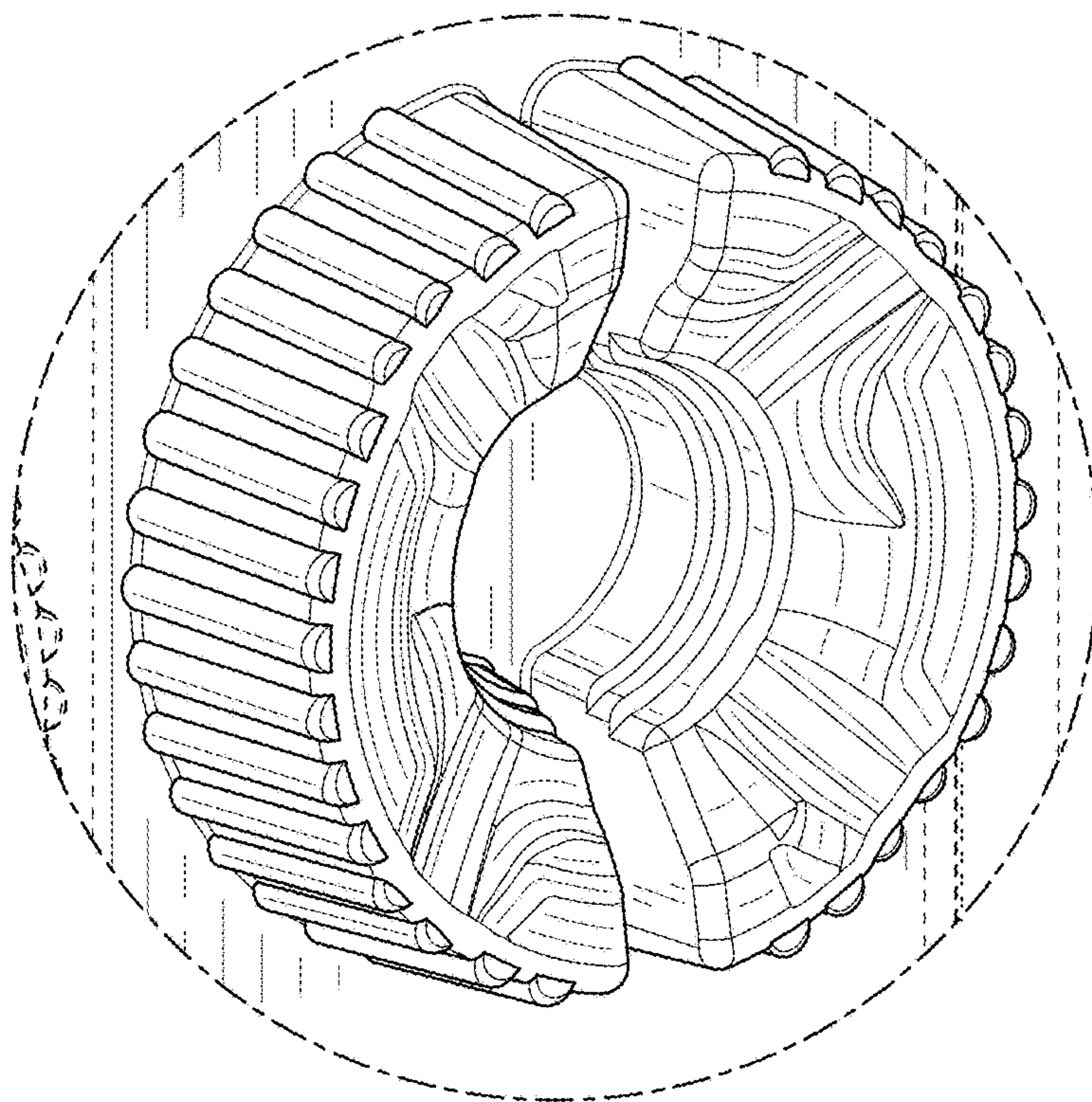


FIG. 10

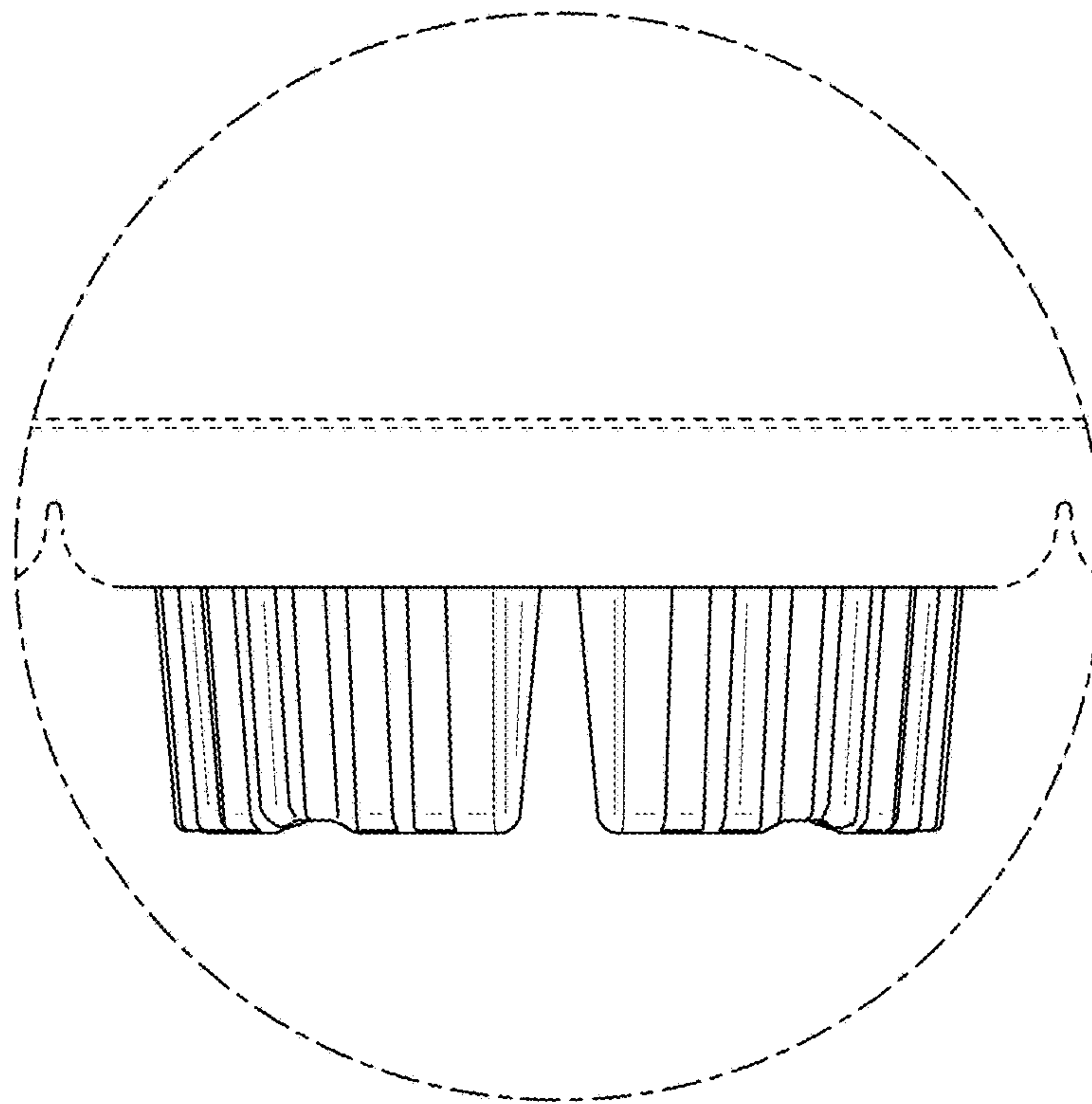


FIG. 11

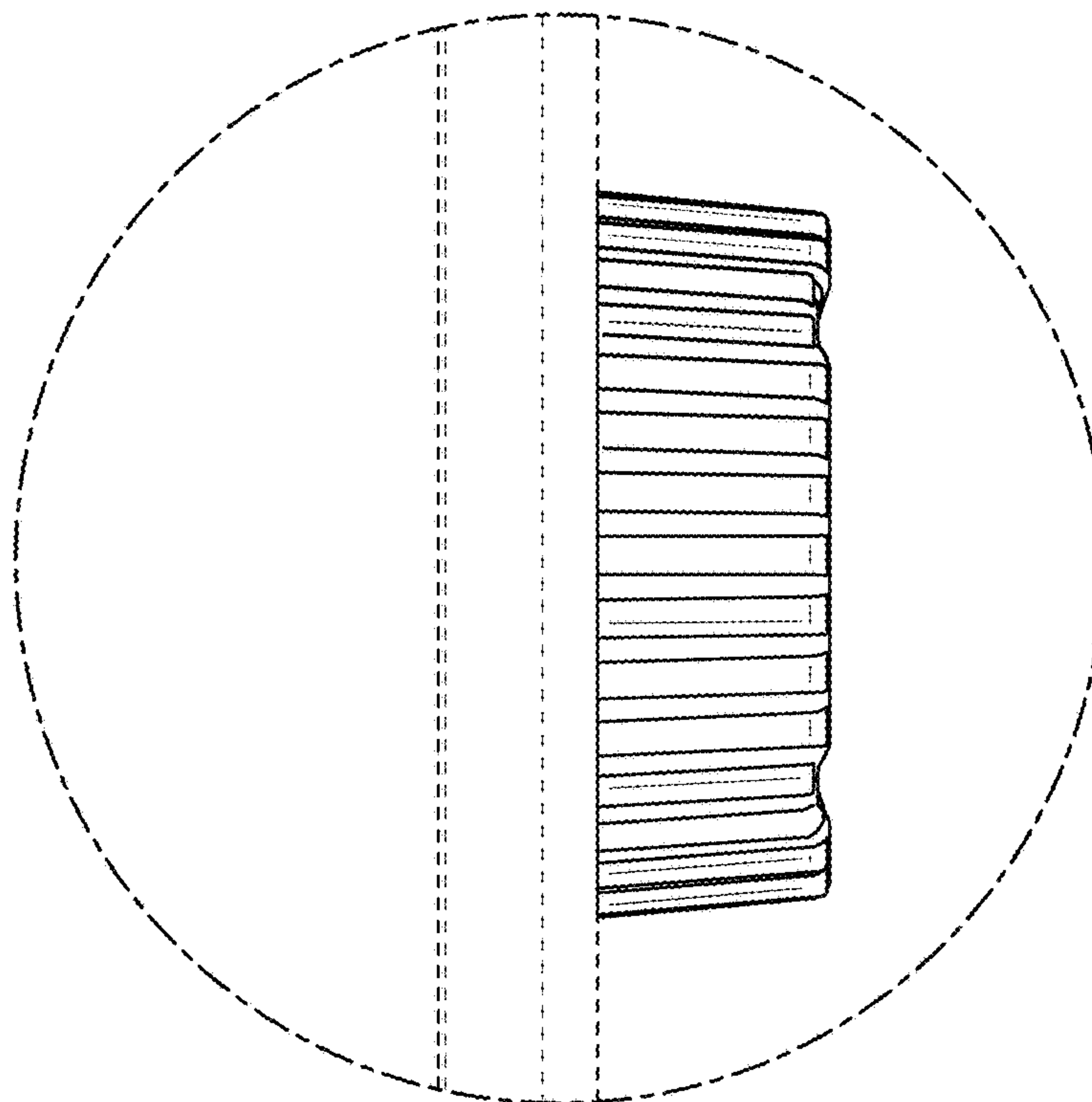


FIG. 12

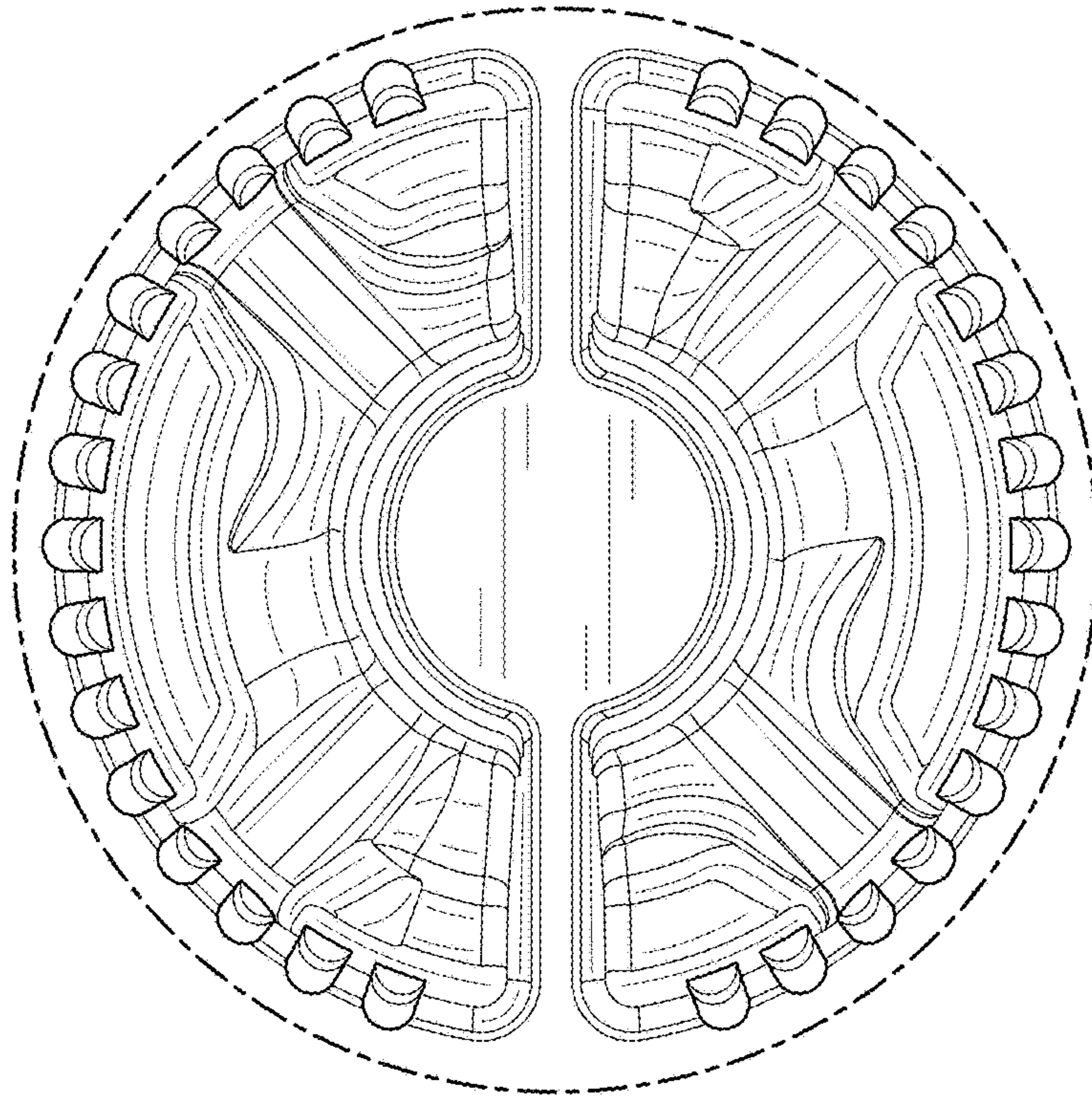


FIG. 13

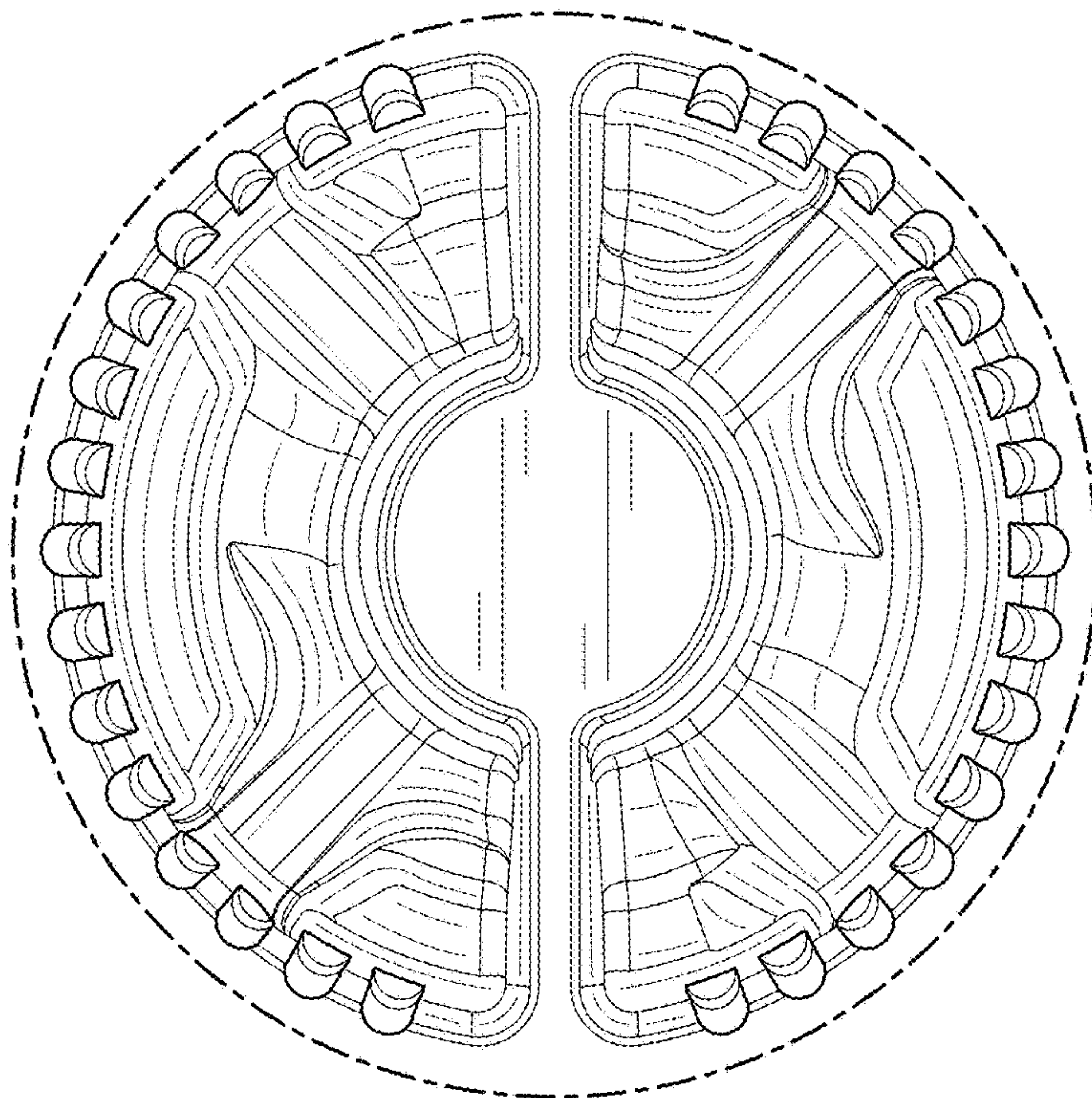


FIG. 14