



US00D854417S

(12) **United States Design Patent**
Harris et al.

(10) **Patent No.:** **US D854,417 S**
(45) **Date of Patent:** **** Jul. 23, 2019**

(54) **CONTAINER**

FOREIGN PATENT DOCUMENTS

(71) Applicant: **Owens-Brockway Glass Container Inc.**, Perrysburg, OH (US)

EM 000962295-0009 7/2008
EM 001025464-0001 10/2008
EM 004005973-0009 5/2017

(72) Inventors: **Paul Harris**, Toledo, OH (US); **Raul M Paredes**, Perrysburg, OH (US); **Douglas Laib**, Perrysburg, OH (US); **Lara Koenick**, Boyds, MD (US); **Andrew Birkhoff**, Columbus, OH (US); **Young Lee**, Perrysburg, OH (US)

OTHER PUBLICATIONS

“Martinique”, “Forty-Six” and “Winch”, Speakeasy, The Craft Secret Line, Saverglass website, Downloads: Thematic Leaflets, Saverglass Inc., retrieved Feb. 2016, 4 pages, < <https://www.saverglass.com/en/downloads> >.*

(73) Assignee: **Owens-Brockway Glass Container Inc.**, Perrysburg, OH (US)

Primary Examiner — Dana Meyrow

(**) Term: **15 Years**

(57) **CLAIM**

(21) Appl. No.: **29/628,661**

We claim the ornamental design for a container, as shown and described.

(22) Filed: **Dec. 6, 2017**

(51) **LOC (11) Cl.** **09-01**

(52) **U.S. Cl.**
USPC **D9/516; D9/500**

DESCRIPTION

(58) **Field of Classification Search**
USPC D9/500, 502–505, 516, 530, 537, D9/539–540, 544–546, 549, 550, 558, D9/715, 719
CPC B65D 1/00; B65D 1/02; B65D 1/0223; B65D 23/00; B65D 81/00; B65D 2501/00; B65D 2501/0009
See application file for complete search history.

FIG. 1 is a perspective view of a container in accordance with our new design;
FIG. 2 is a front view of the container in FIG. 1, the rear and side views of the claimed design being identical to the front view of FIG. 2.
FIG. 3 is an enlarged top view of the container in FIG. 1; and,
FIG. 4 is an enlarged bottom view of the container in FIG. 1.

(56) **References Cited**

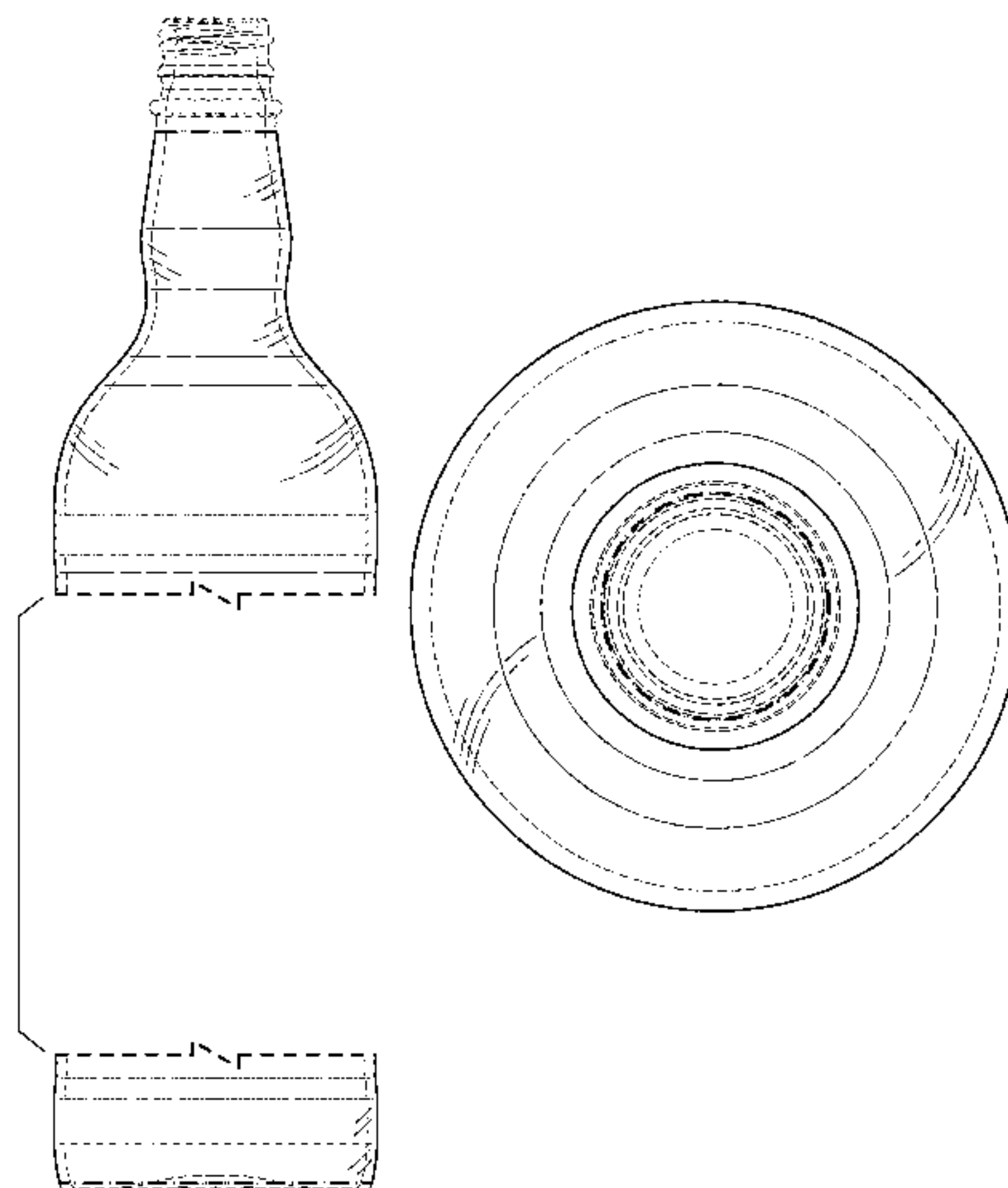
U.S. PATENT DOCUMENTS

D48,813 S * 4/1916 Dawson 215/383
D50,296 S * 2/1917 Dawson D9/545
D50,297 S * 2/1917 Dawson D9/545
D50,298 S * 2/1917 Dawson D9/545
D50,299 S * 2/1917 Dawson D9/545
D97,218 S * 10/1935 Wise D9/502
D102,569 S 12/1936 Mas
D110,030 S * 6/1938 Lilienthal D9/545
D418,051 S * 12/1999 van Wyk D9/500

Dash-dash-dash broken lines shown in the drawings represent subject matter that is not part of the claimed design.
Dash-dot-dash broken lines shown in the drawings represent boundaries of the claimed design and are not part of the claimed design.
The heavy-weight evenly-dashed broken break lines, the brackets between the break lines and any portion of the container between the break lines form no part of the claimed design.

(Continued)

1 Claim, 2 Drawing Sheets



(56)

References Cited

U.S. PATENT DOCUMENTS

D434,661	S	*	12/2000	Zambrano V.	D9/500
D476,571	S		7/2003	Lince		
D568,746	S	*	5/2008	Goldsmith	D9/500
D623,534	S	*	9/2010	Shearsby	D9/503
D625,609	S	*	10/2010	Shearsby	D9/503
D626,419	S	*	11/2010	Adamson	D9/454
8,097,662	B2	*	1/2012	Schmidt	A23L 3/3436 523/100
D658,995	S	*	5/2012	Potts	D9/500
8,309,622	B2	*	11/2012	Schmidt	A23L 3/3436 523/100
D692,761	S		11/2013	Staley		
D697,804	S		1/2014	Hanson et al.		
D706,633	S		6/2014	Reisig et al.		
D731,316	S		6/2015	Joblonska		
D786,076	S	*	5/2017	Redondo	D9/500
D793,863	S	*	8/2017	Huynen	D9/503
D813,675	S	*	3/2018	Matauch	D9/500
D813,677	S	*	3/2018	Pelkey	D9/500

* cited by examiner

FIG. 1

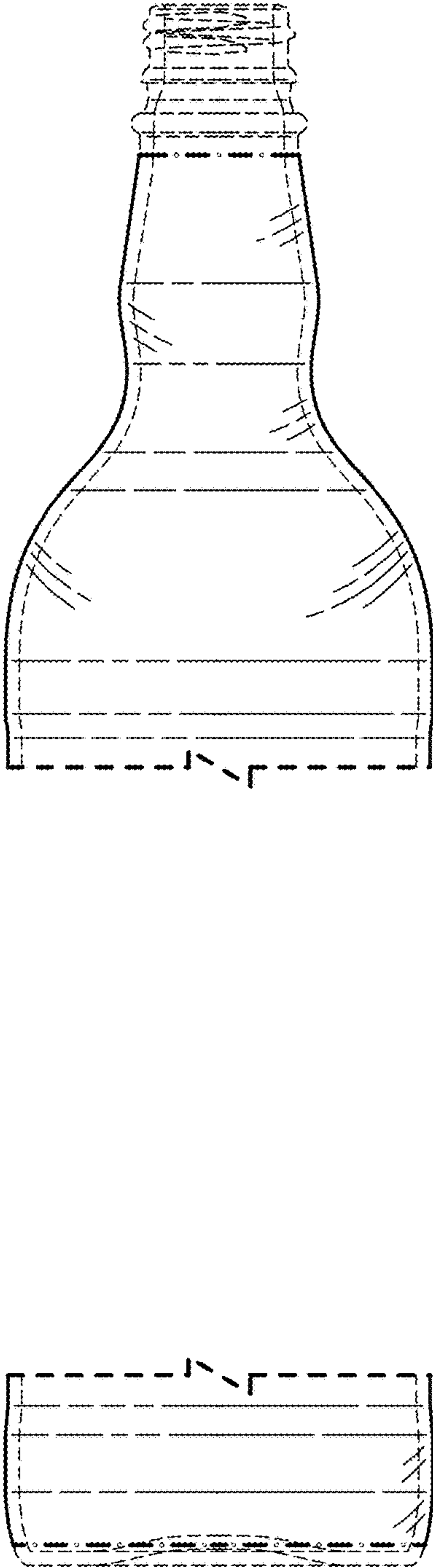
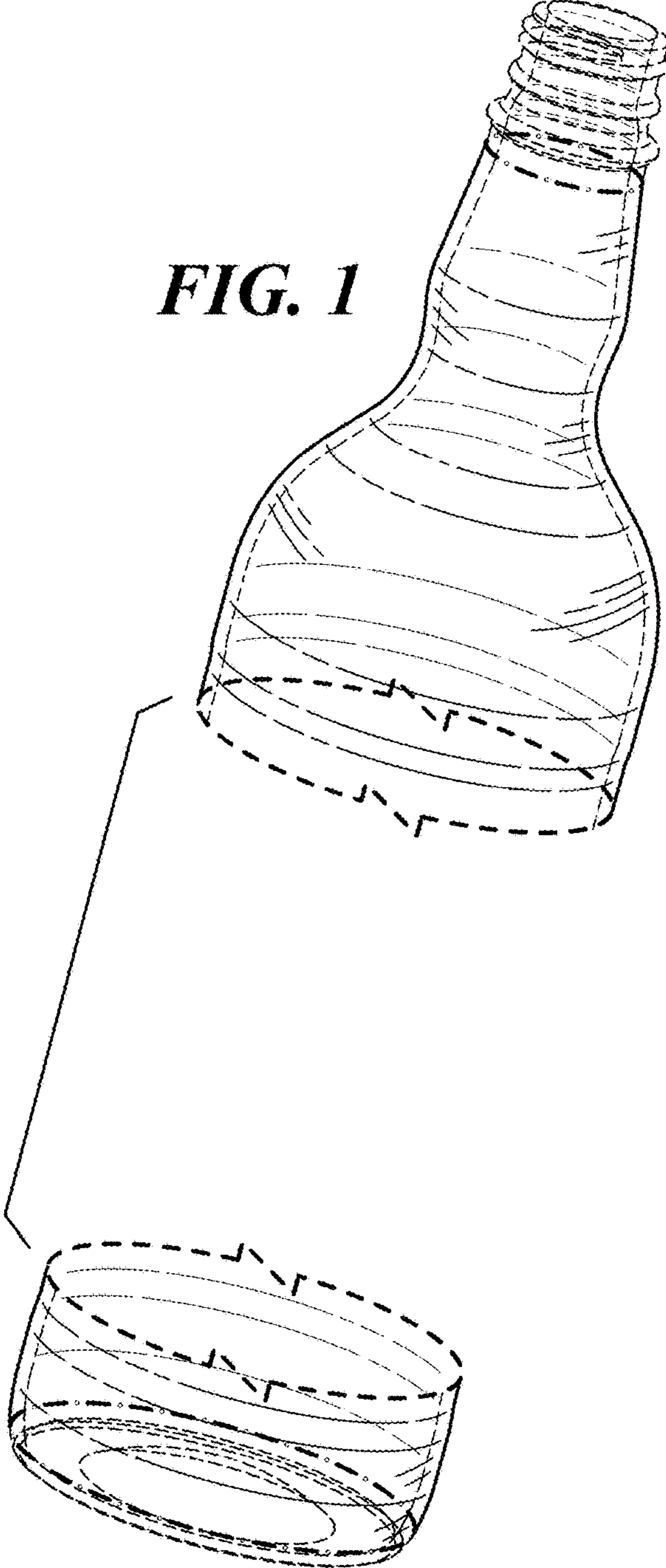


FIG. 2

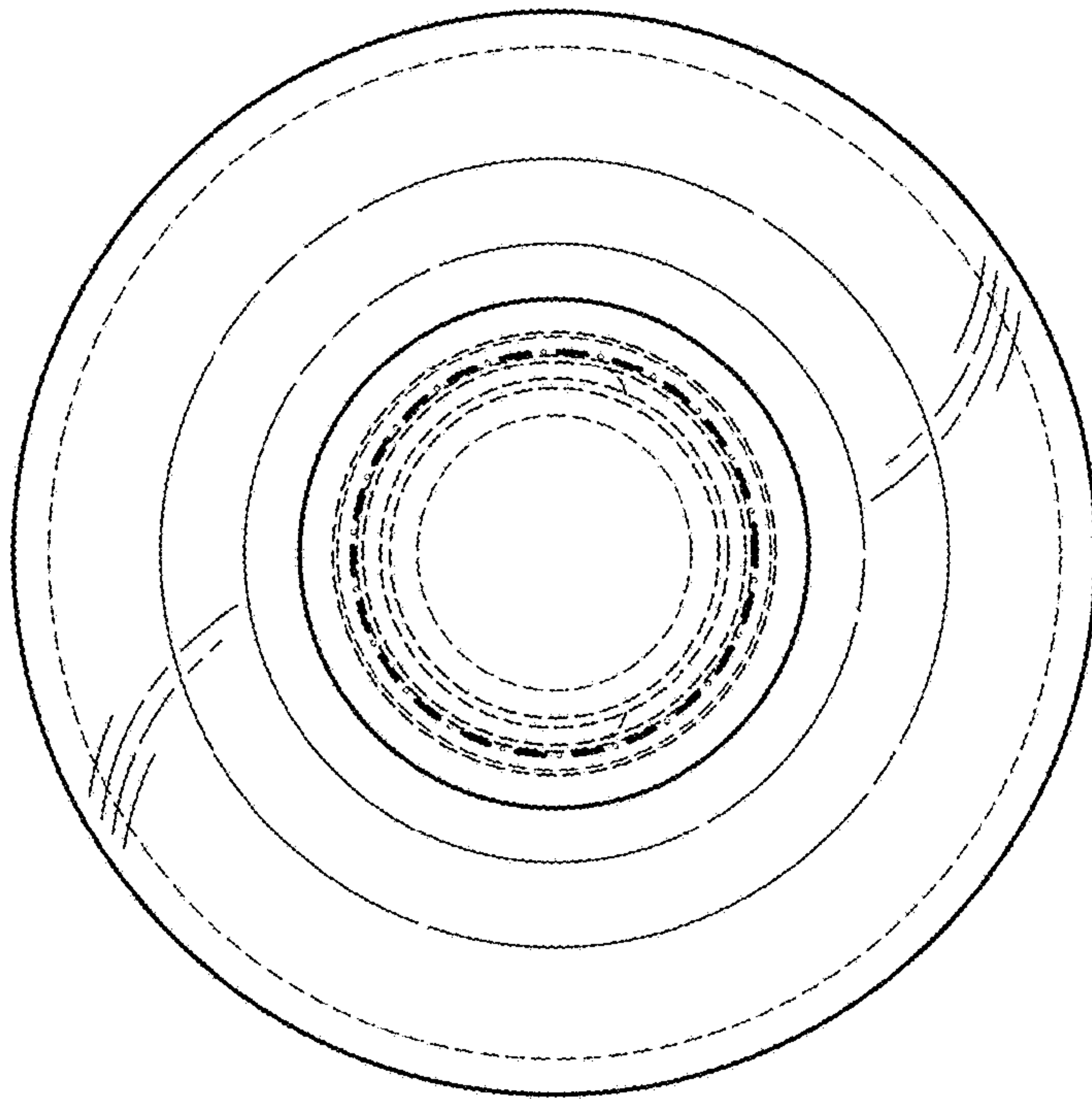


FIG. 3

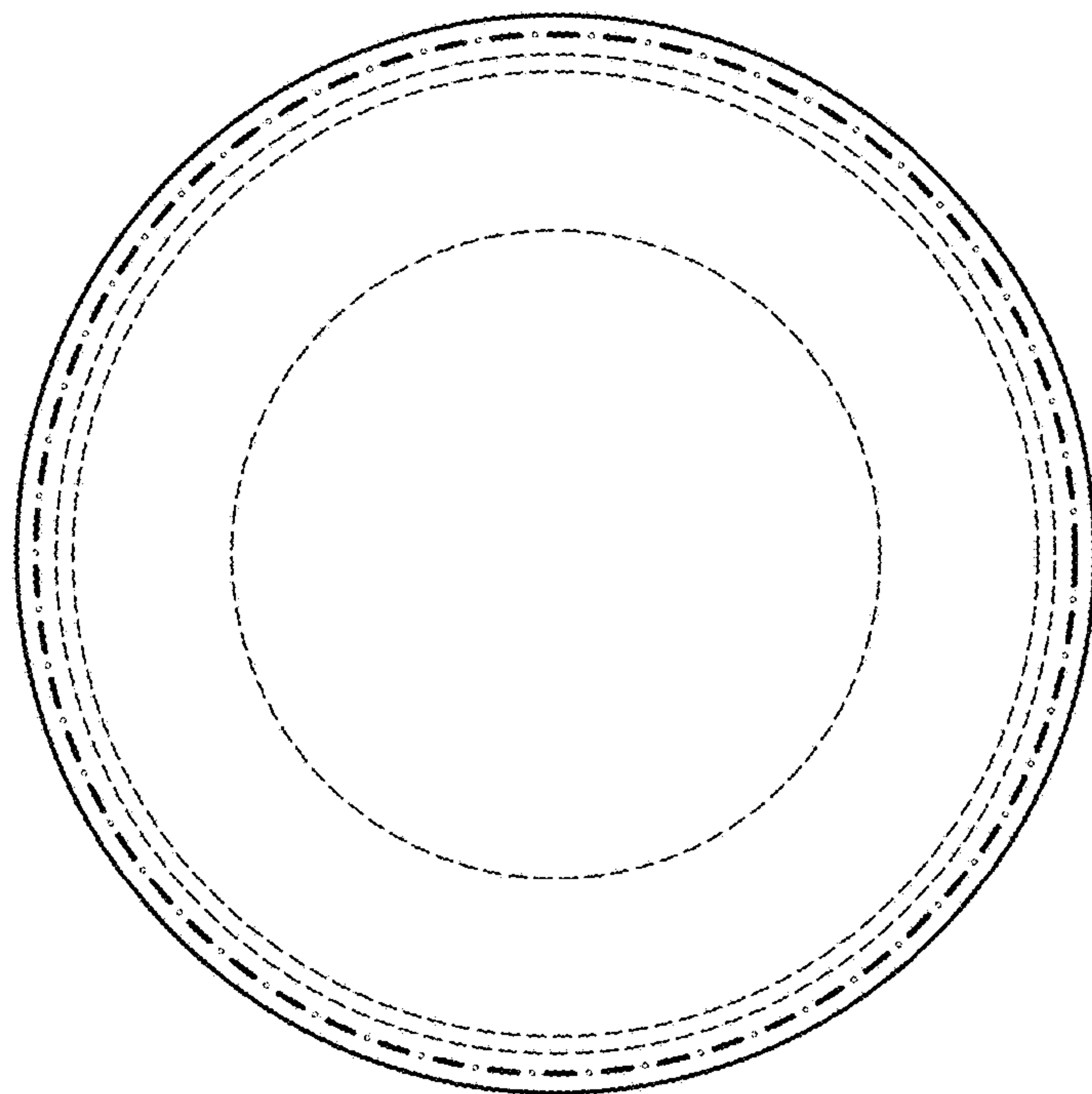


FIG. 4