



US00D854416S

(12) **United States Design Patent** (10) **Patent No.:** **US D854,416 S**
Sims et al. (45) **Date of Patent:** **** Jul. 23, 2019**

- (54) **RAZOR PACKAGE WITH SEAL**
- (71) Applicant: **The Gillette Company**, Boston, MA (US)
- (72) Inventors: **Daniel Jerome Sims**, Brookline, MA (US); **Andrew Anthony Markle**, New York, NY (US)
- (73) Assignee: **The Gillette Company LLC**, Boston, MA (US)
- (**) Term: **15 Years**

- (21) Appl. No.: **29/558,247**
- (22) Filed: **Mar. 16, 2016**
- (51) **LOC (11) Cl.** **09-03**
- (52) **U.S. Cl.**
USPC **D9/457; D9/600**
- (58) **Field of Classification Search**
USPC D9/414, 415, 420, 426, 428, 429, 434, D9/435, 443-450, 452-457, 499, 600; D7/387, 392, 392.1, 393, 396.2, 396.3, D7/396.4, 401.1, 507, 509-511, 538, 900; D3/202, 203.2, 318; D28/91.1; D5/4, D5/55, 56, 60-63, 99; D20/11
CPC .. A61J 1/00; A61J 1/1412; B65D 1/00; B65D 1/02; B65D 1/10; B65D 1/46; B65D 2585/56; B65D 41/00; B65D 41/38; B65D 41/56; B65D 41/62; B65D 47/00; B65D 47/06; B65D 47/08; B65D 2543/00046; B65D 2543/00092; B65D 2543/00296; B65D 5/46; B65D 2251/00
See application file for complete search history.

- (56) **References Cited**
U.S. PATENT DOCUMENTS
D40,754 S * 7/1910 Ritter D19/1
D88,314 S * 11/1932 Murray D5/63

- D88,599 S * 12/1932 Wilhelm D5/56
- D252,092 S * 6/1979 Popeck 273/157 R
- D273,877 S * 5/1984 Darrell D10/109.1
- D280,961 S * 10/1985 Unger D11/99
- D308,988 S * 7/1990 Green D20/11
- D325,747 S * 4/1992 Green D20/11
- D399,259 S * 10/1998 Cohen D20/11
- D449,344 S * 10/2001 Curry D20/11
- D464,204 S * 10/2002 Kian D5/63
- D543,110 S * 5/2007 Harada D9/457
- D624,757 S * 10/2010 Bischoff D5/60
- D627,569 S * 11/2010 Seum D5/63
- D636,667 S * 4/2011 Barclay D9/432
- D644,842 S * 9/2011 Hutchison D5/56
- D648,135 S * 11/2011 Lee D5/56
- D648,139 S * 11/2011 Lee D5/63
- D656,399 S * 3/2012 Gonzalez D9/434

(Continued)

Primary Examiner — Karen S Acker
Assistant Examiner — Wendy L Arminio
(74) *Attorney, Agent, or Firm* — Joanne N. Pappas; Kevin C. Johnson

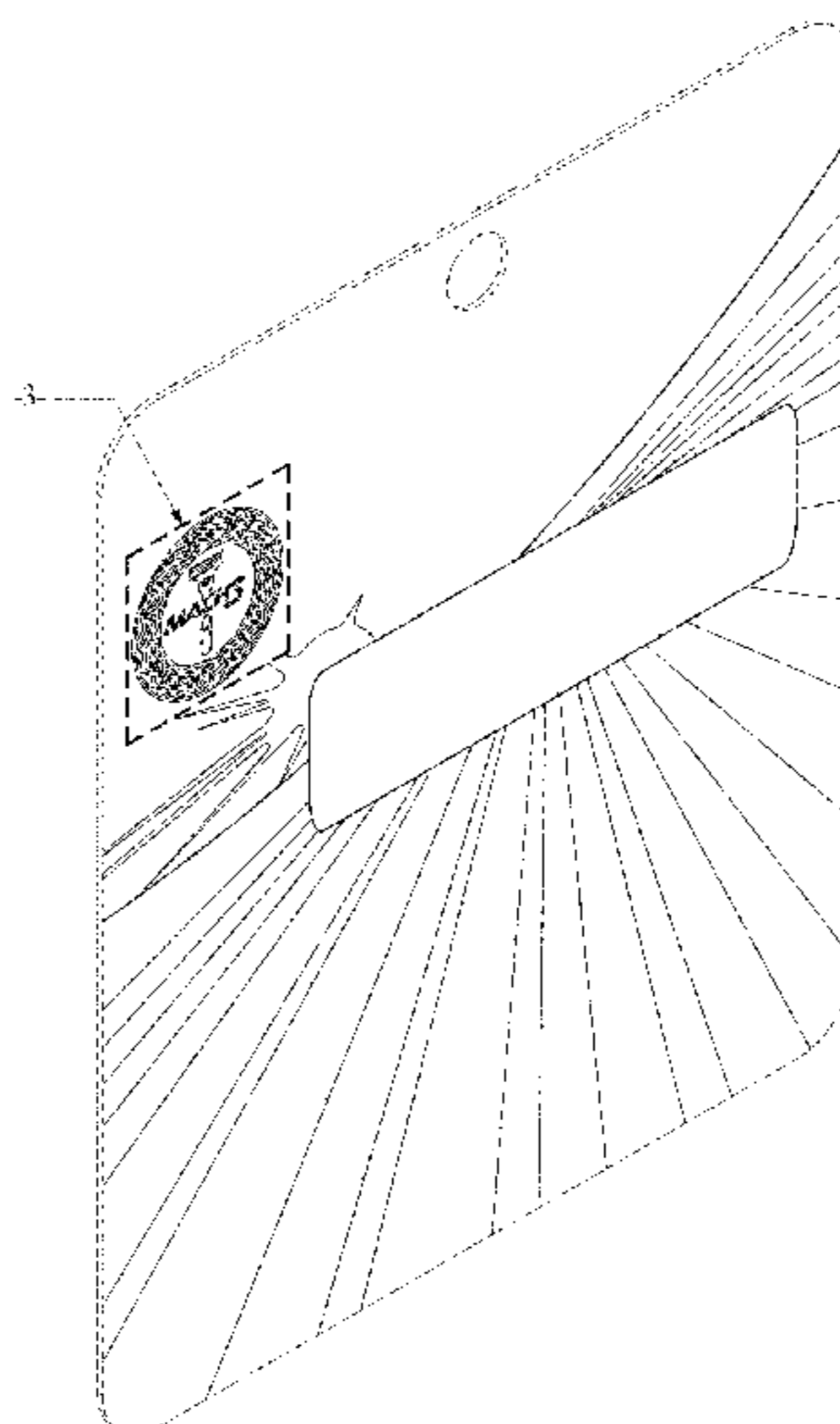
(57) **CLAIM**

The ornamental design for a razor package with seal, as shown and described.

DESCRIPTION

FIG. 1 is a front perspective view of a razor package with seal of the present invention;
FIG. 2 is a front view thereof;
FIG. 3 is a close-up front perspective view of the seal as shown in FIG. 1 thereof; and,
FIG. 4 is a close-up front view of the seal as shown in FIG. 2 thereof.
The short broken lines that make up the pattern features of the central area of the seal are features of the claimed design. The broken lines surrounding the seal depict the boundaries of the close-up views and form no part of the claimed design. All other broken lines define the boundaries of the claim and form no part thereof.

1 Claim, 4 Drawing Sheets



(56)

References Cited

U.S. PATENT DOCUMENTS

D686,067 S *	7/2013	Macaulay	D9/434
D714,141 S *	9/2014	Robinson	D20/22
D737,377 S *	8/2015	Philippi	D20/11
D751,906 S *	3/2016	Boston	D9/499
D759,496 S *	6/2016	Damon	D9/434
D764,919 S *	8/2016	Damon	D9/457
D773,300 S *	12/2016	Uribe	D9/499

* cited by examiner

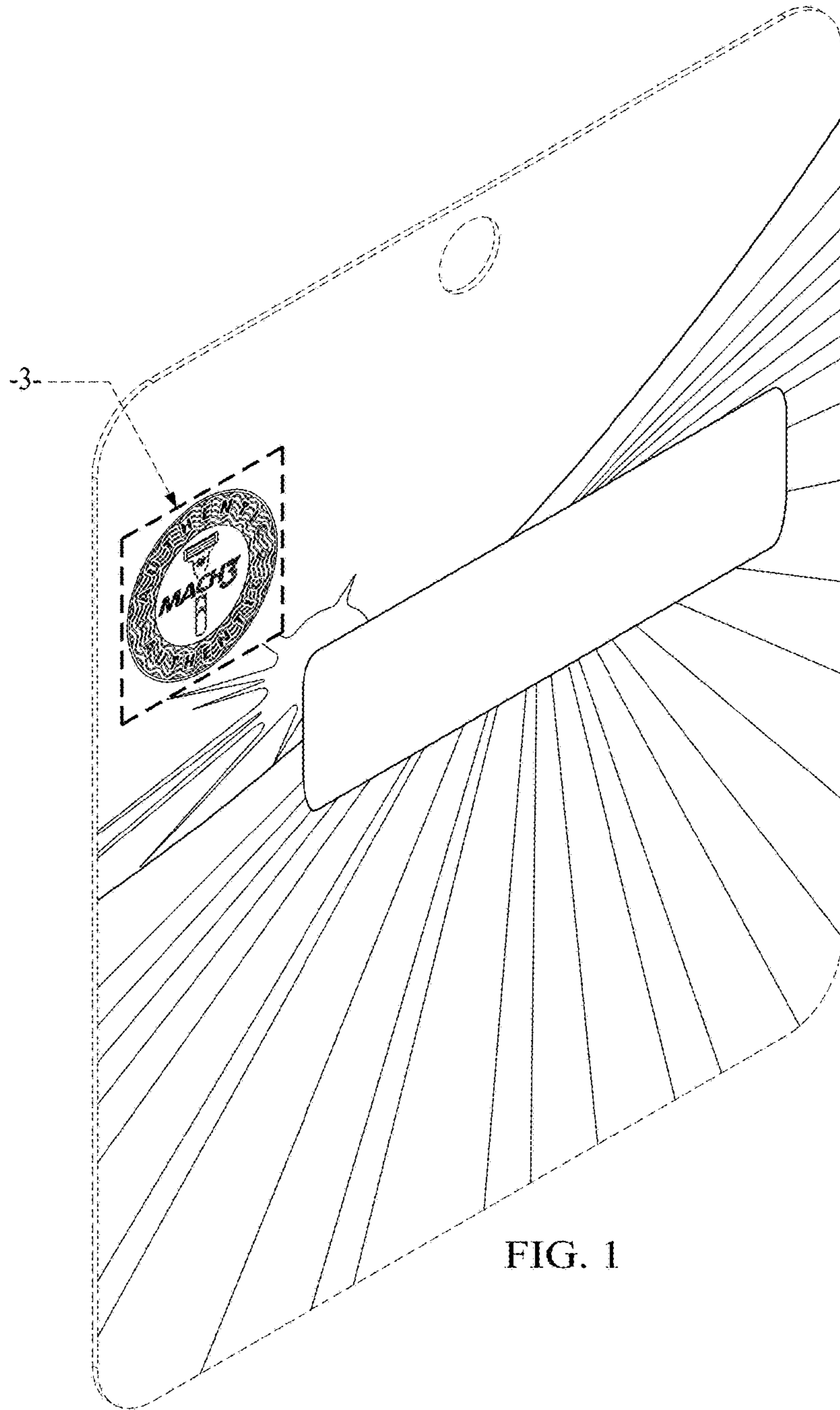


FIG. 1

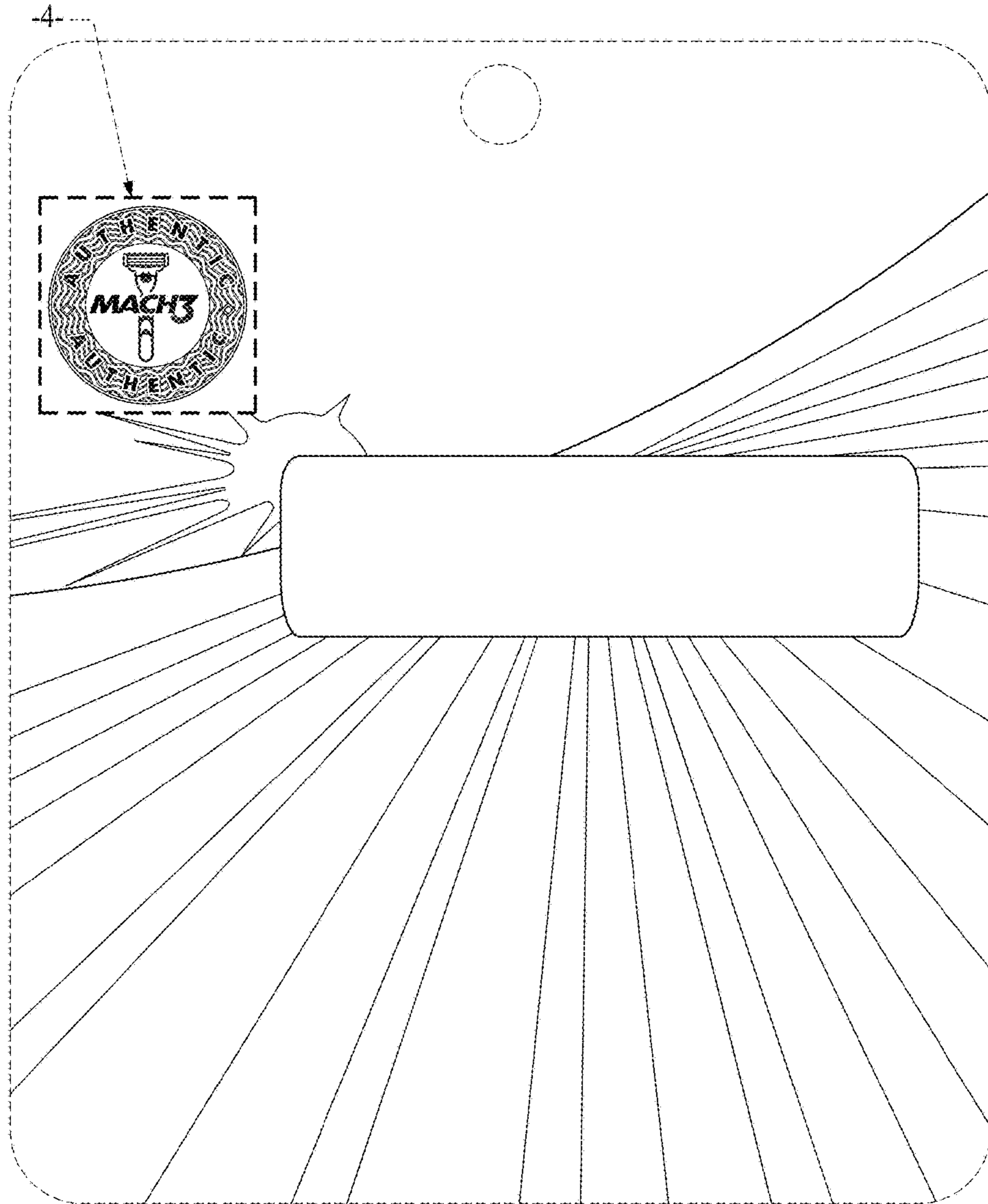


FIG. 2

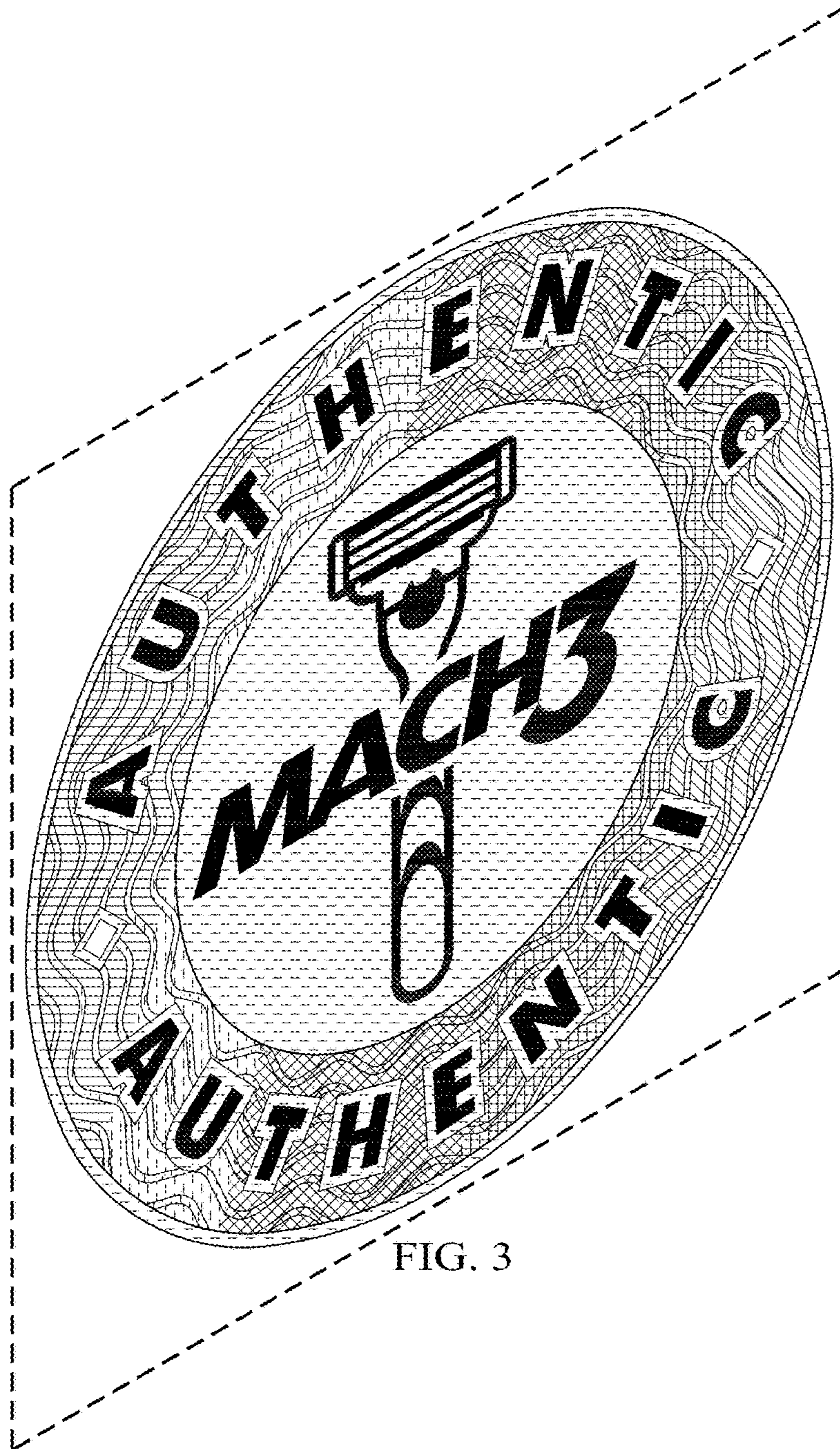


FIG. 3



FIG. 4