



US00D854414S

(12) **United States Design Patent** (10) **Patent No.:** **US D854,414 S**
Michailides (45) **Date of Patent:** **** Jul. 23, 2019**

(54) **OPEN STOPPER**

(71) Applicant: **Flavourat srl**, Oleggio NO (IT)

(72) Inventor: **Iraklis Michailides**, Athens (GR)

(73) Assignee: **FLAVOURART SRL**, Oleggio (NO)
(IT)

(**) Term: **15 Years**

(21) Appl. No.: **29/576,084**

(22) Filed: **Aug. 31, 2016**

(30) **Foreign Application Priority Data**

Mar. 2, 2016 (EM) 003010305-0002

(51) **LOC (11) Cl.** **09-07**

(52) **U.S. Cl.**
USPC **D9/449**

(58) **Field of Classification Search**
USPC D3/202, 203.1, 203.2, 318, 273, 275,
D3/294; D7/300, 300.1, 216, 317, 387,
D7/391, 391.2, 393, 396.2, 509, 510, 511,
D7/523, 525-531, 538, 541, 549, 629,
D7/703, 900; D9/434, 435, 436, 438,
D9/439, 440, 443, 446, 447, 448, 449,
D9/450, 452, 453, 454, 502, 503, 504,
D9/516, 517, 529; D19/70, 71, 115, 93,
D19/162, 163, 165, 192, 194; D26/36,
D26/123, 124; D24/121, 127, 299, 224;
D28/7, 76, 78, 82, 85, 91; D34/1, 7, 10,
D34/11, 29

CPC B65D 50/041; B65D 23/00; B65D 1/00;
B65D 1/02; B65D 1/0223; B65D 83/06;
B65D 53/02; B65D 47/0838; A47G
18/22; A47G 18/23

See application file for complete search history.

(56) **References Cited**

U.S. PATENT DOCUMENTS

D265,060 S * 6/1982 Blank D9/446
5,785,193 A * 7/1998 Kobayashi B65D 47/0814
16/227

D455,077 S * 4/2002 Gaiser D9/449
D508,203 S * 8/2005 Ziegenhorn D9/449
D508,853 S * 8/2005 Ziegenhorn D9/449
D541,154 S * 4/2007 Moribata D9/449
D585,741 S * 2/2009 Wilson D9/449
D598,752 S * 8/2009 Wilson D9/449
7,611,025 B2 * 11/2009 Nusbaum B65D 47/0838
215/235
D628,889 S * 12/2010 Groubert D9/449
D628,892 S * 12/2010 Groubert D9/449
D628,893 S * 12/2010 Groubert D9/449

(Continued)

OTHER PUBLICATIONS

Flavourart E-cigarette Liquid: Announced Feb. 17, 2016 [online].
Site Visited [Aug. 6, 2018]. Available from Internet URL: <https://flavourart.com/en/store/flavors/sweet/armenia-apricot-flavor/>.*

Primary Examiner — Jennifer Rivard

Assistant Examiner — Catherine S Posthauer

(74) *Attorney, Agent, or Firm* — Wenderoth, Lind &
Ponack, L.L.P.

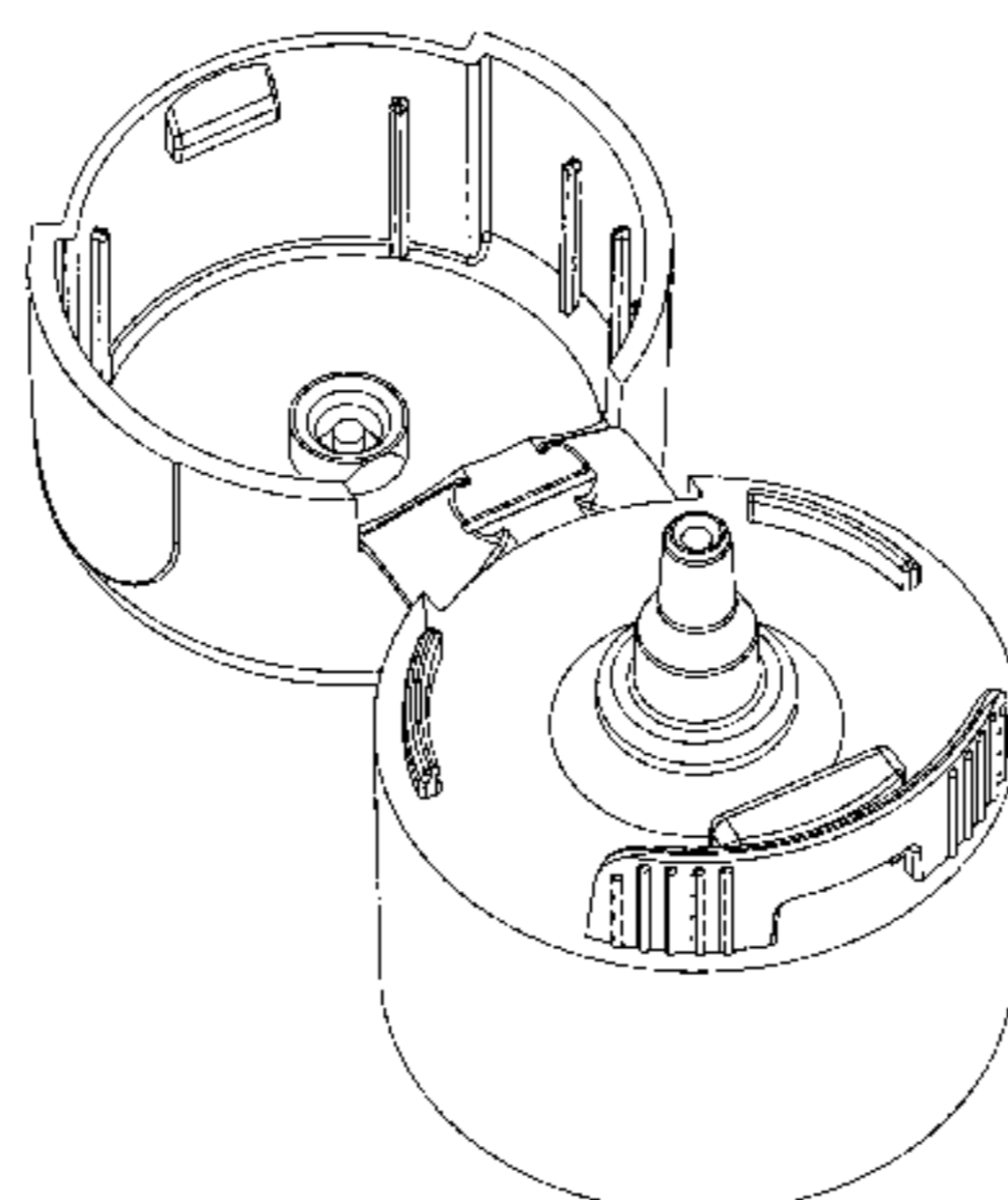
(57) **CLAIM**

The ornamental design for an open stopper, as shown and described.

DESCRIPTION

FIG. 1 is a perspective view of an open stopper;
FIG. 2 is a left side view of the open stopper;
FIG. 3 is a front view of the open stopper;
FIG. 4 is a back view of the open stopper;
FIG. 5 is a bottom view of the open stopper;
FIG. 6 is a right side view of the open stopper; and,
FIG. 7 is a top view of the open stopper.
The broken lines are shown for the purpose of illustrating parts of the article that form no part of the claim.

1 Claim, 7 Drawing Sheets



(56)

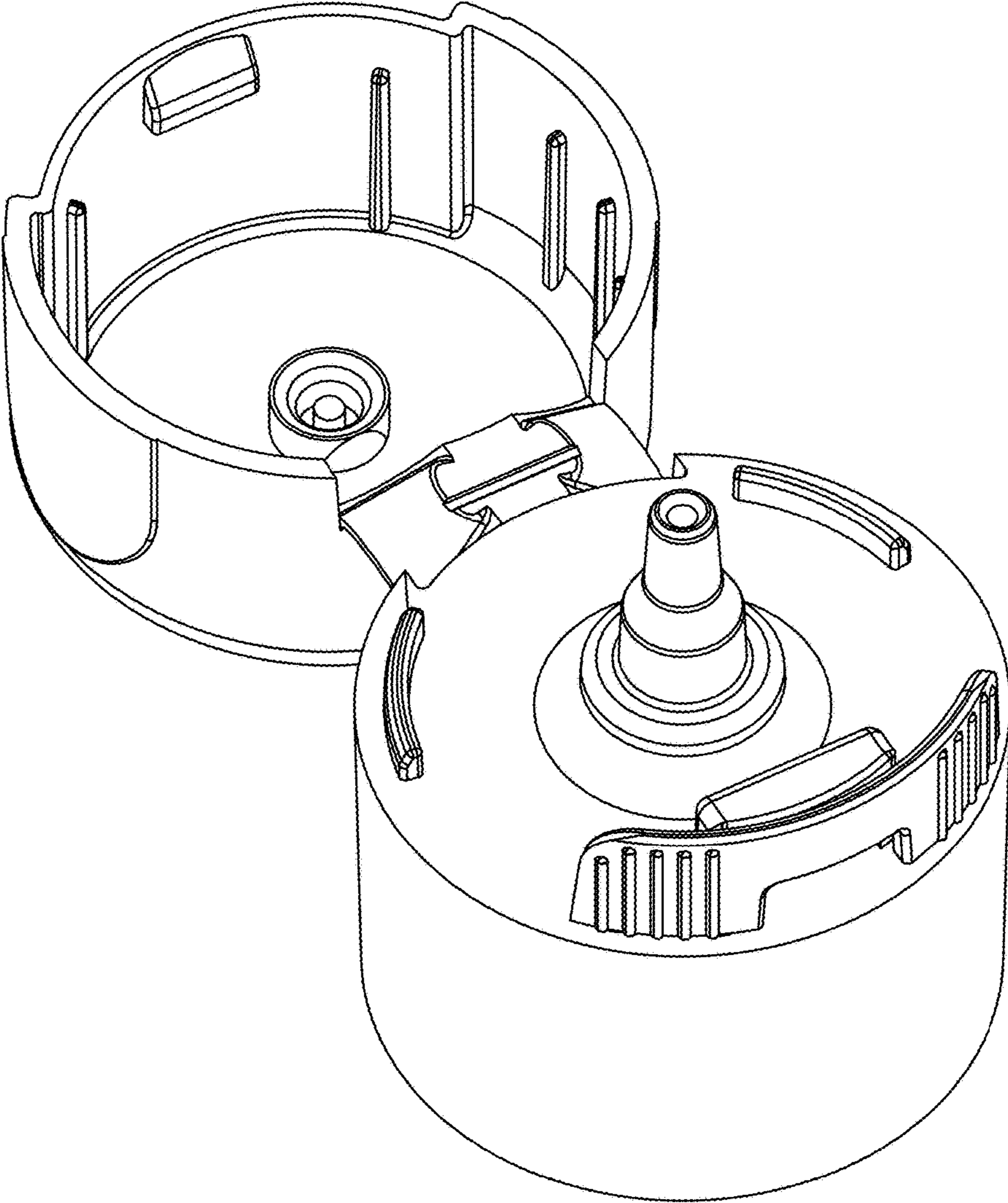
References Cited

U.S. PATENT DOCUMENTS

D634,198	S *	3/2011	Groubert	D9/449
D636,672	S *	4/2011	Lohrman	D9/438
D636,673	S *	4/2011	Lohrman	D9/447
D666,096	S *	8/2012	Cummings	D9/447
D681,458	S *	5/2013	Santarelli	D9/443
D688,554	S *	8/2013	Fracasso	D9/447
D709,764	S *	7/2014	Gibb	D9/449
D711,230	S *	8/2014	den Boer	D9/449
D713,723	S *	9/2014	den Boer	D9/449
D713,724	S *	9/2014	den Boer	D9/449
D722,267	S *	2/2015	Miranda De Araujo	D9/449
D782,310	S *	3/2017	Li	D9/434
2006/0186077	A1 *	8/2006	Robinson	B65D 47/0814 215/237
2006/0186078	A1 *	8/2006	Ziegenhorn	B65D 47/0809 215/237
2006/0186079	A1 *	8/2006	Ziegenhorn	B65D 47/0809 215/237
2012/0080442	A1 *	4/2012	Groubert	B29C 45/1676 220/849

* cited by examiner

FIG. 1



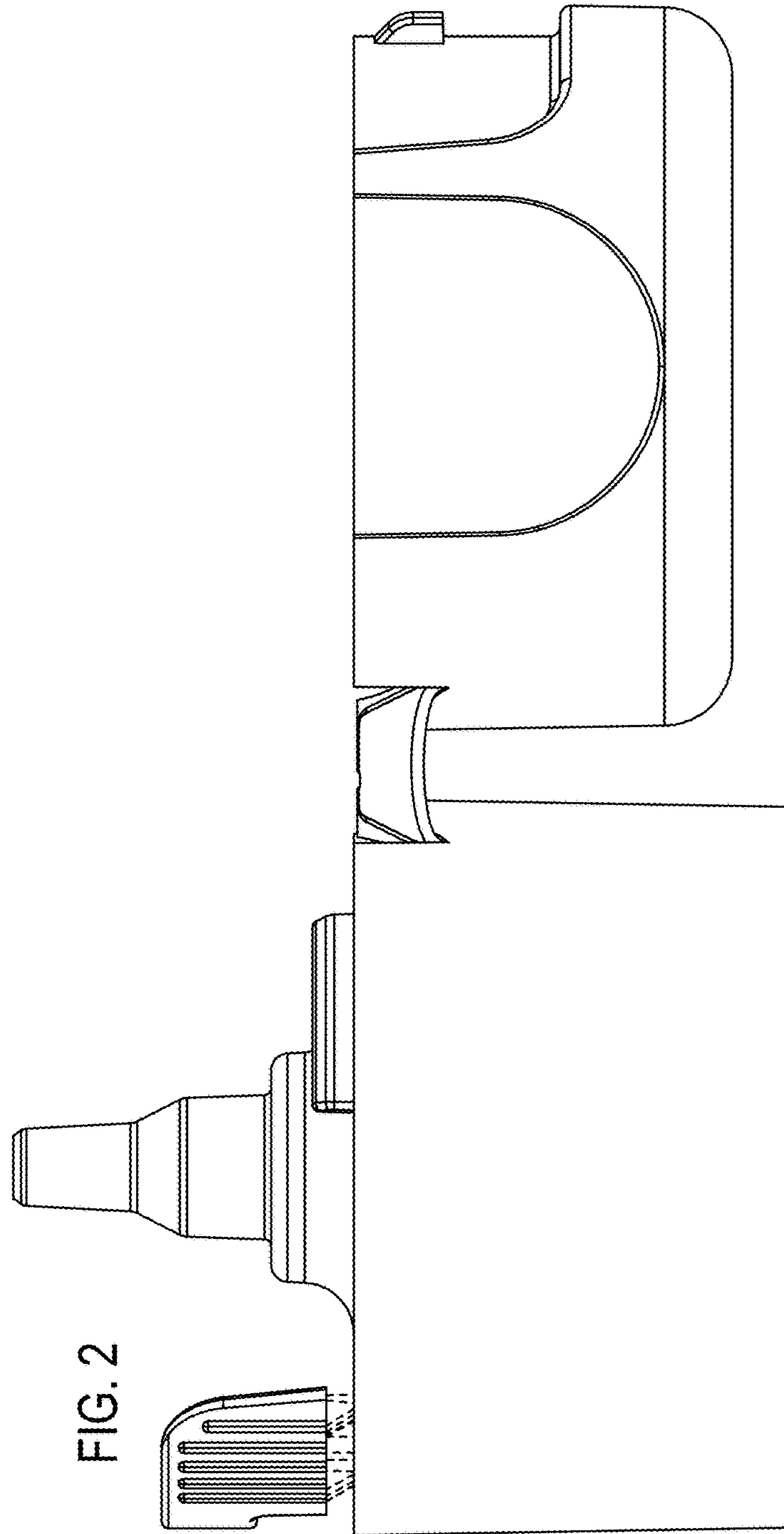


FIG. 3

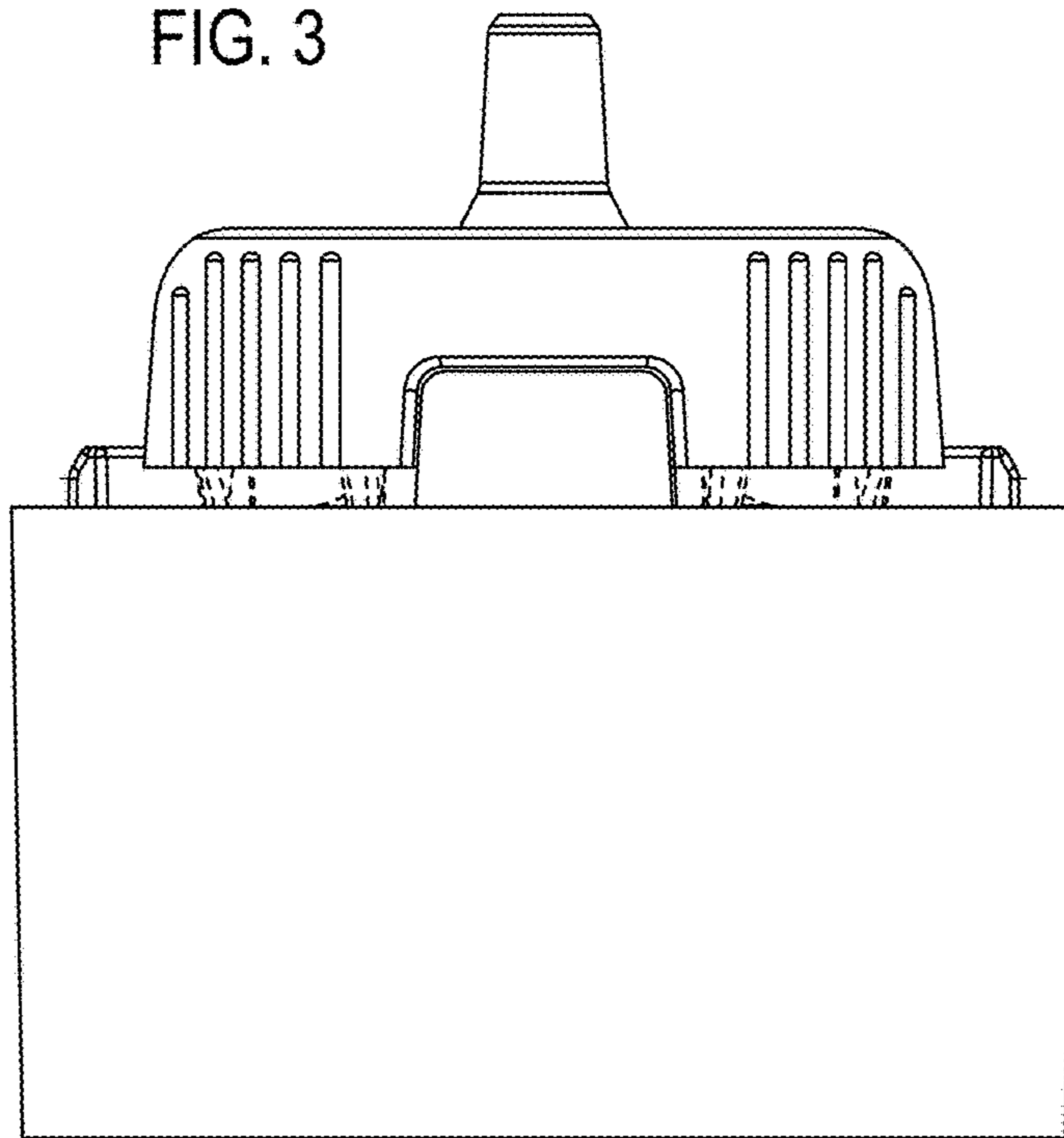
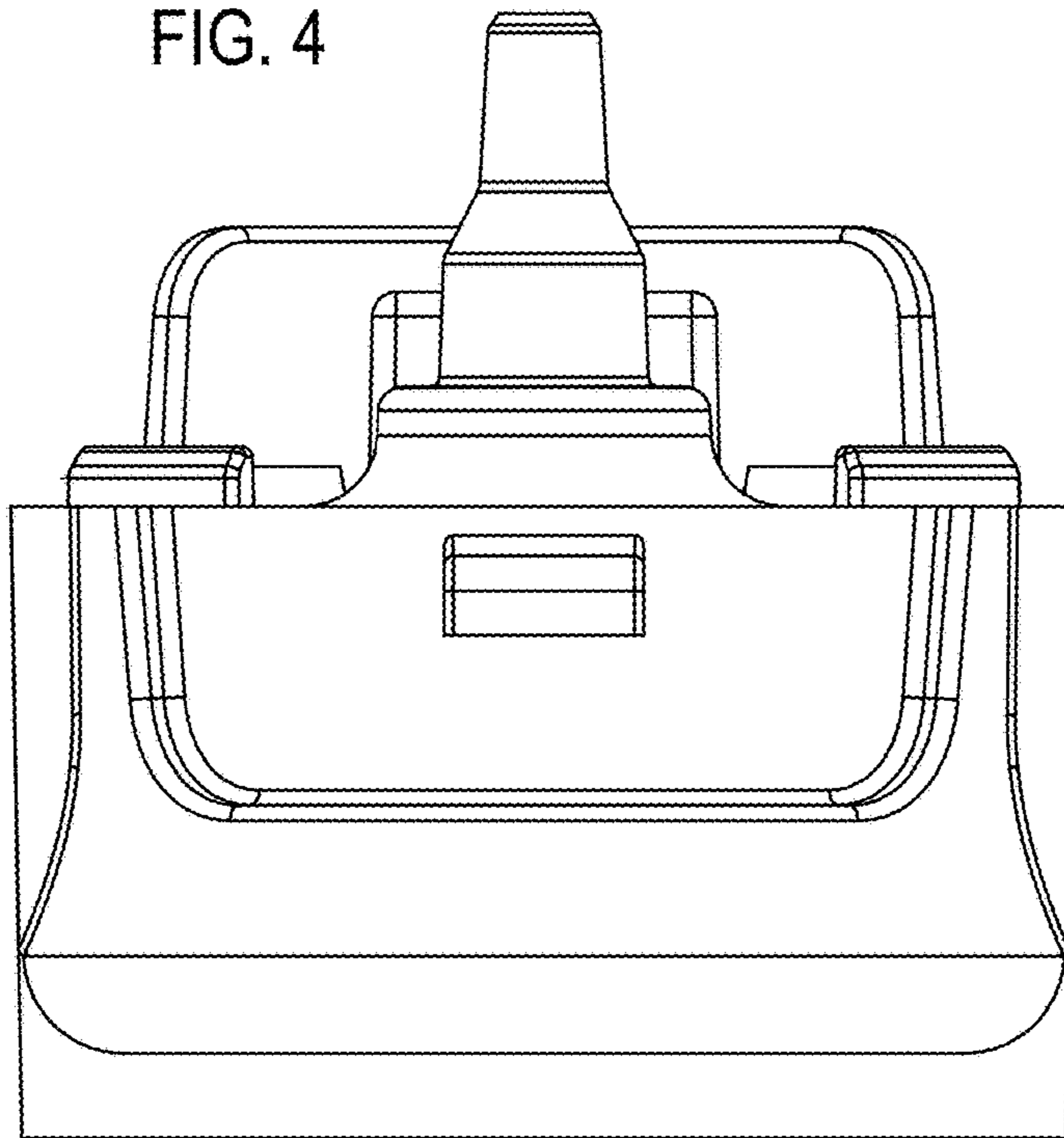
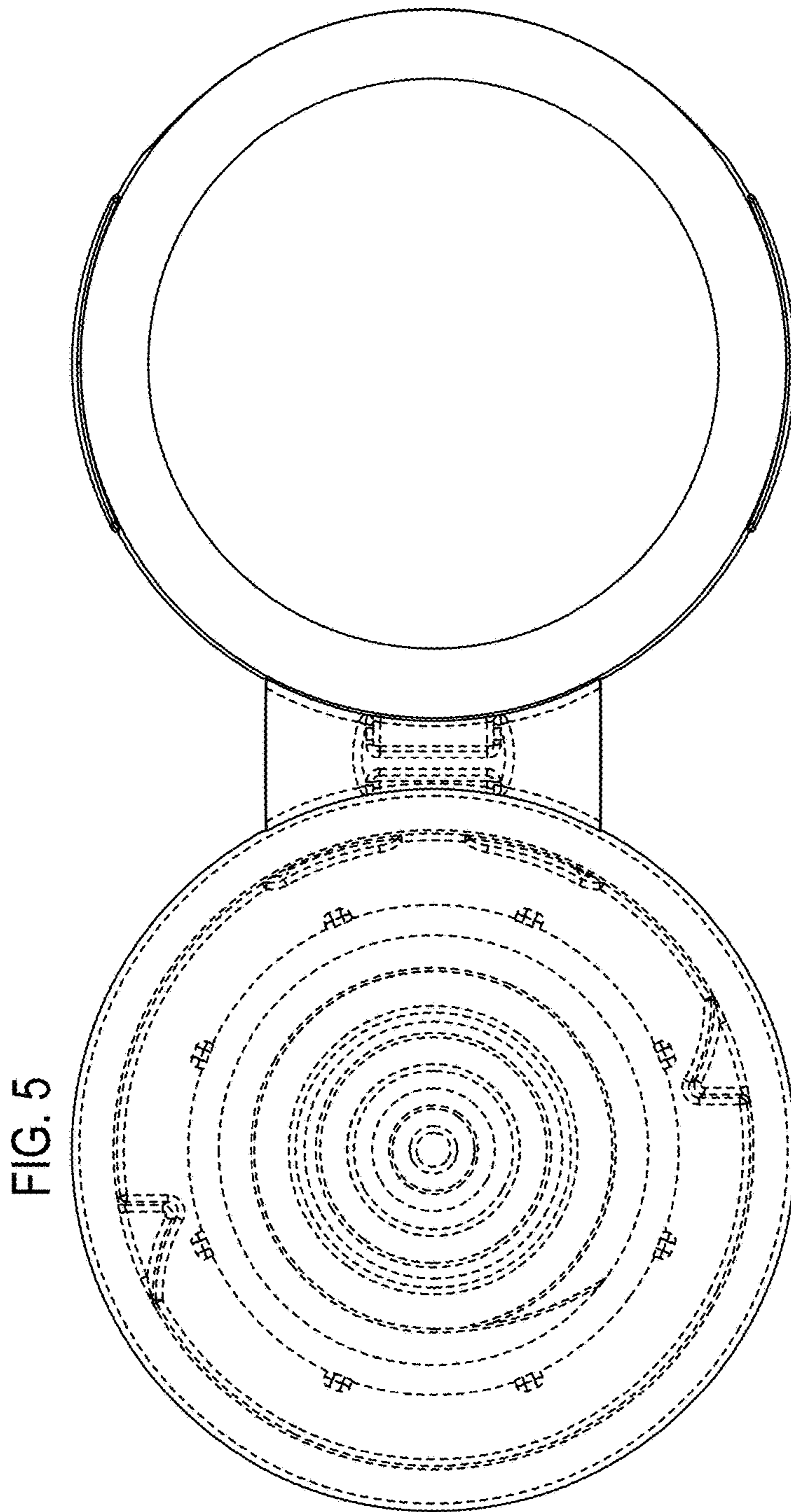


FIG. 4





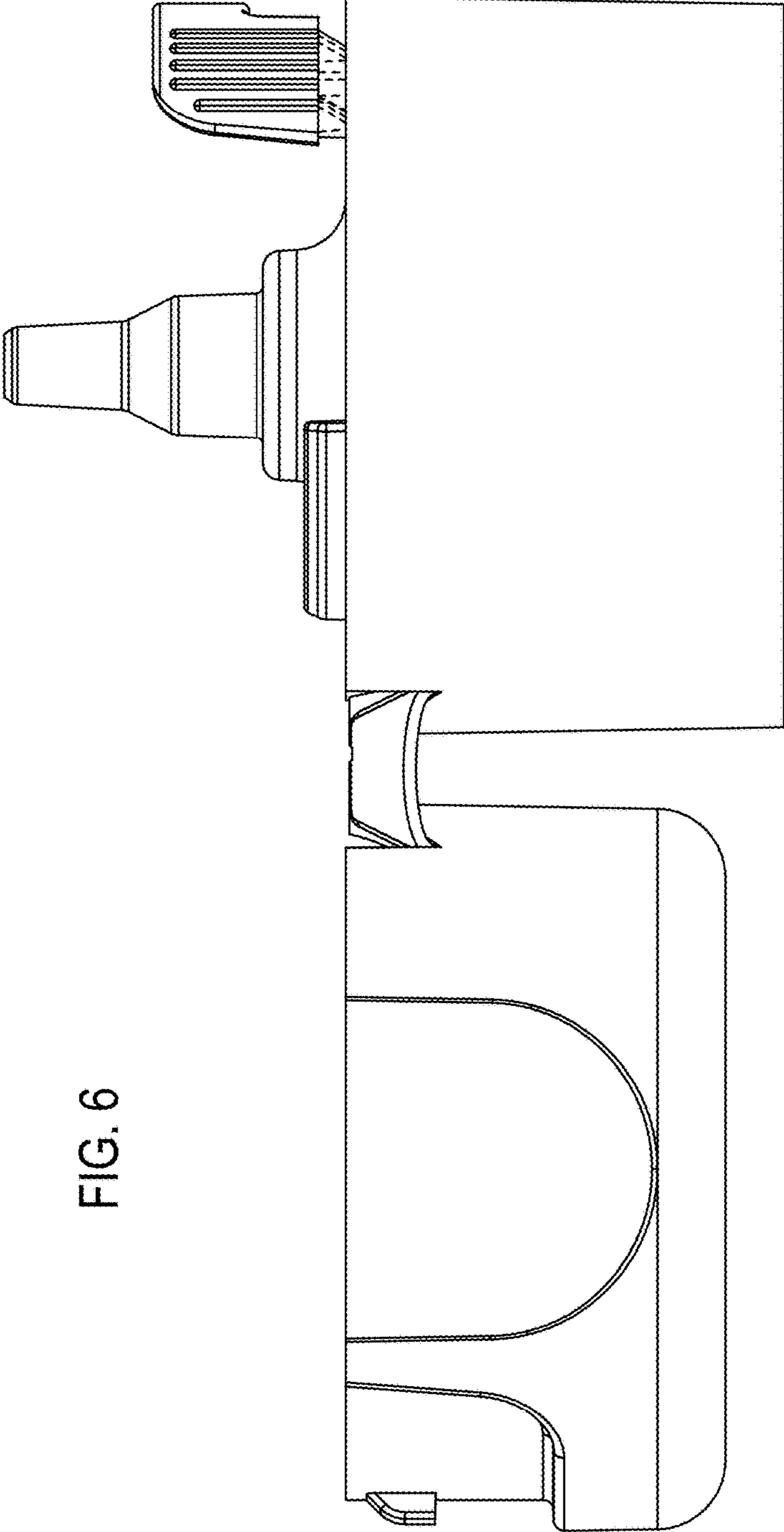


FIG. 6

FIG. 7

