



US00D854413S

(12) **United States Design Patent**
Joo et al.

(10) **Patent No.:** **US D854,413 S**
(45) **Date of Patent:** **** Jul. 23, 2019**

(54) **PACKAGING BOX**

D516,389 S * 3/2006 Nix D7/631
D606,394 S * 12/2009 Stewart D9/423
D709,364 S * 7/2014 Olsson D9/432

(71) Applicant: **LG ELECTRONICS INC.**, Seoul
(KR)

(Continued)

(72) Inventors: **Younok Joo**, Seoul (KR); **Ahran Nam**,
Seoul (KR); **Youngmi Yoon**, Seoul
(KR); **Ewisung Choe**, Seoul (KR)

Primary Examiner — Michael A. Pratt

(74) *Attorney, Agent, or Firm* — Birch, Stewart, Kolasch
& Birch, LLP

(73) Assignee: **LG ELECTRONICS INC.**, Seoul
(KR)

(57) **CLAIM**

The ornamental design for a packaging box, as shown and
described.

(**) Term: **15 Years**

DESCRIPTION

(21) Appl. No.: **35/504,495**

(22) Filed: **Aug. 22, 2017**

(80) **Hague Agreement Data**

Int. Filing Date: **Aug. 22, 2017**
Int. Reg. No.: **DM/097568**
Int. Reg. Date: **Aug. 22, 2017**
Int. Reg. Pub. Date: **Feb. 23, 2018**

1. Packaging box

1.1 is a front perspective view of a packaging box in an
unfolded state and in a closed position;

1.2 is a front view thereof, the back view being a mirror
image;

1.3 is a left view thereof, the right view being a mirror
image;

1.4 is a top view thereof;

1.5 is a bottom view thereof;

1.6 is a front perspective view of the packaging box in the
unfolded state and in an open position;

1.7 is a front view thereof;

1.8 is a back view thereof;

1.9 is a left view thereof;

1.10 is a right view thereof;

1.11 is a top view thereof;

1.12 is a bottom view thereof;

1.13 is a front perspective view of the packaging box in a
folded state;

1.14 is a front view thereof, the back view being a mirror
image;

1.15 is a left view thereof, the right view being a mirror
image;

1.16 is a top view thereof, the bottom view being a mirror
image; and

1.17 is a front view of the packaging box in an intermediate
state between the unfolded state and the folded state.

(30) **Foreign Application Priority Data**

Feb. 22, 2017 (KR) 30-2017-0008289

(51) **LOC (11) Cl.** **09-03**

(52) **U.S. Cl.**
USPC **D9/432**

(58) **Field of Classification Search**

USPC D9/414–415, 420–423, 430, 432, 721
CPC B65D 5/00; B65D 5/0015; B65D 5/061;
B65D 5/18; B65D 5/20; B65D 5/32;
B65D 5/321; B65D 5/322

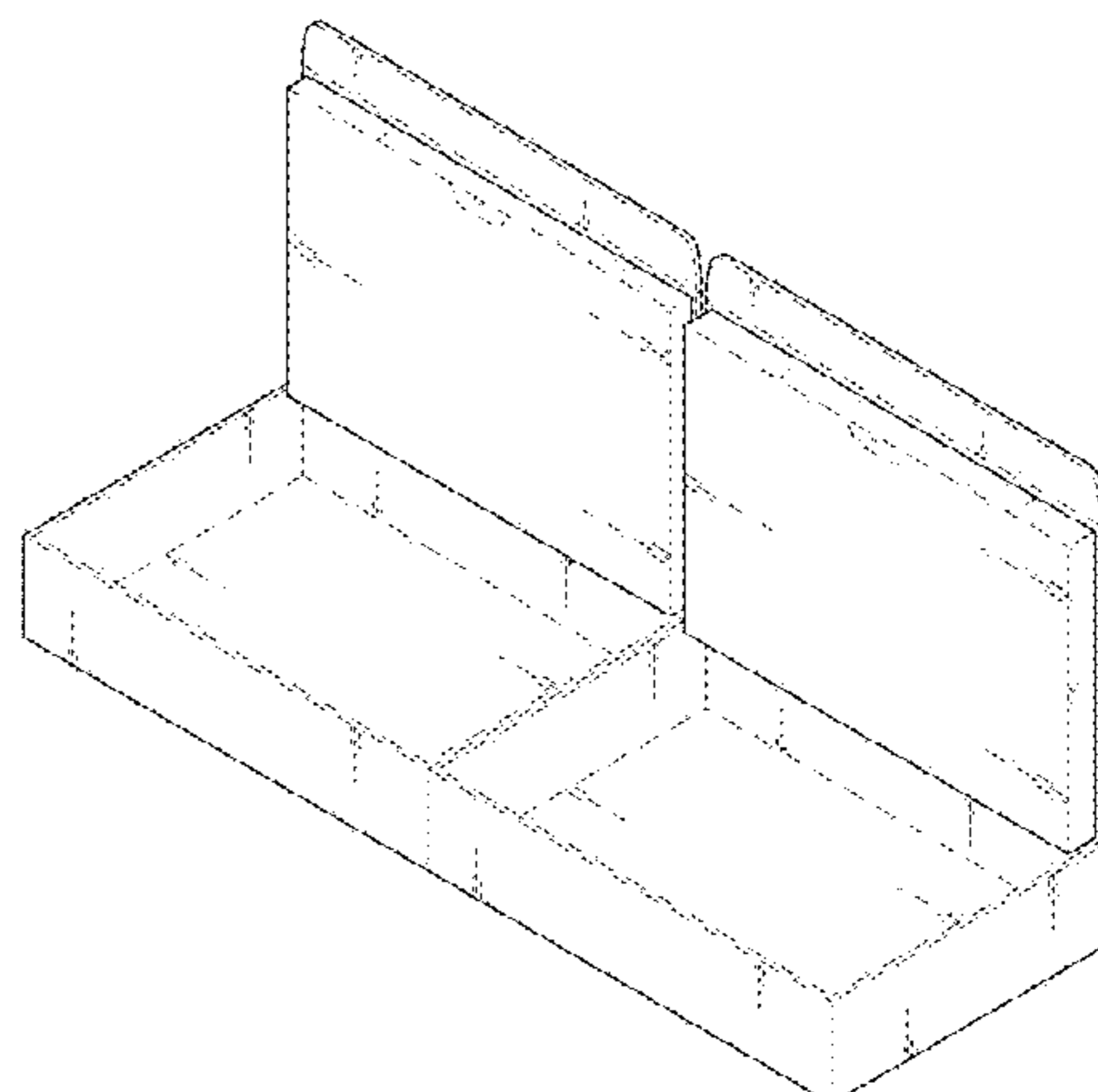
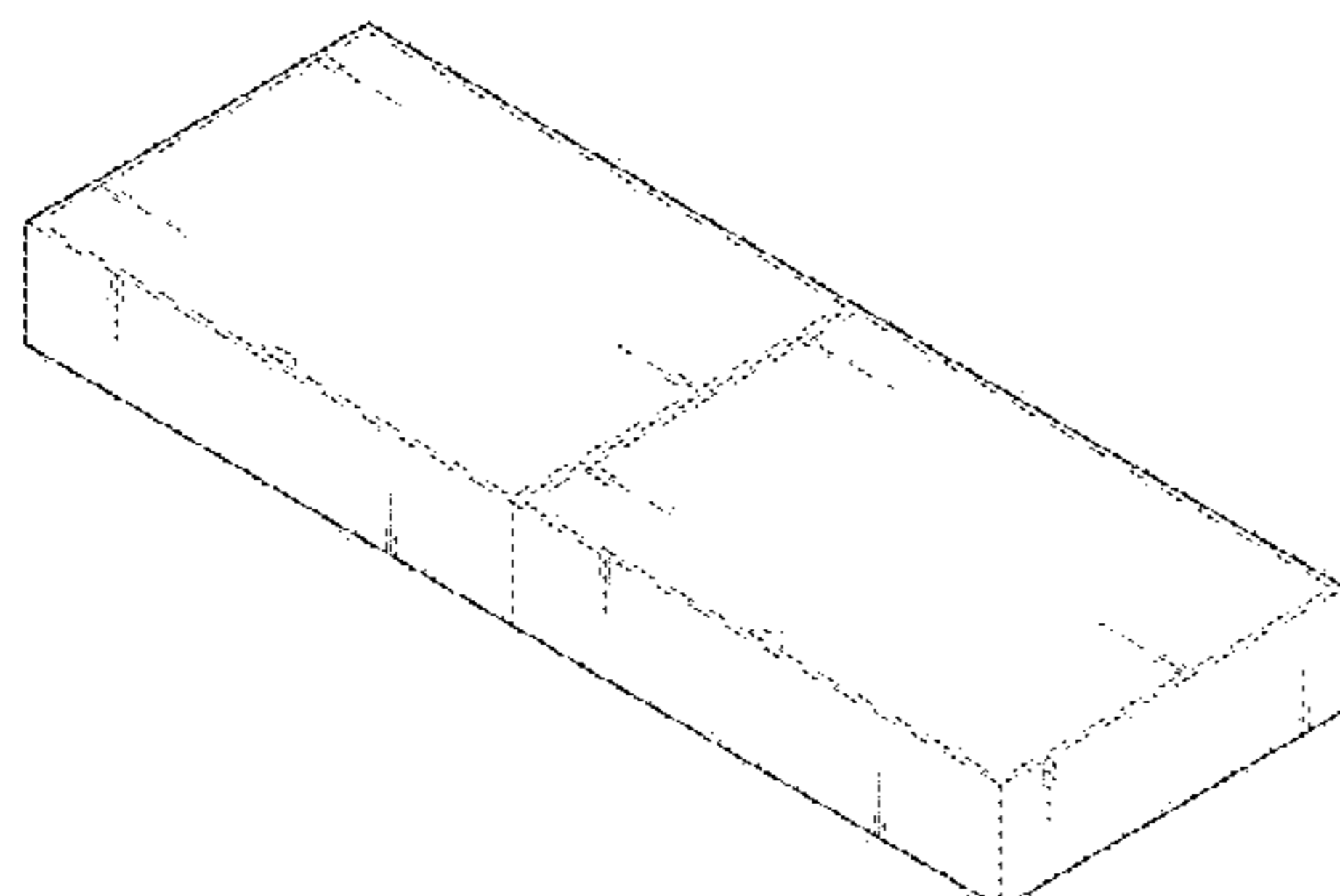
See application file for complete search history.

(56) **References Cited**

U.S. PATENT DOCUMENTS

D218,401 S * 8/1970 Segel D9/414
D218,402 S * 8/1970 Segel D9/414
D396,004 S * 7/1998 Srinual D3/294

1 Claim, 17 Drawing Sheets



(56)

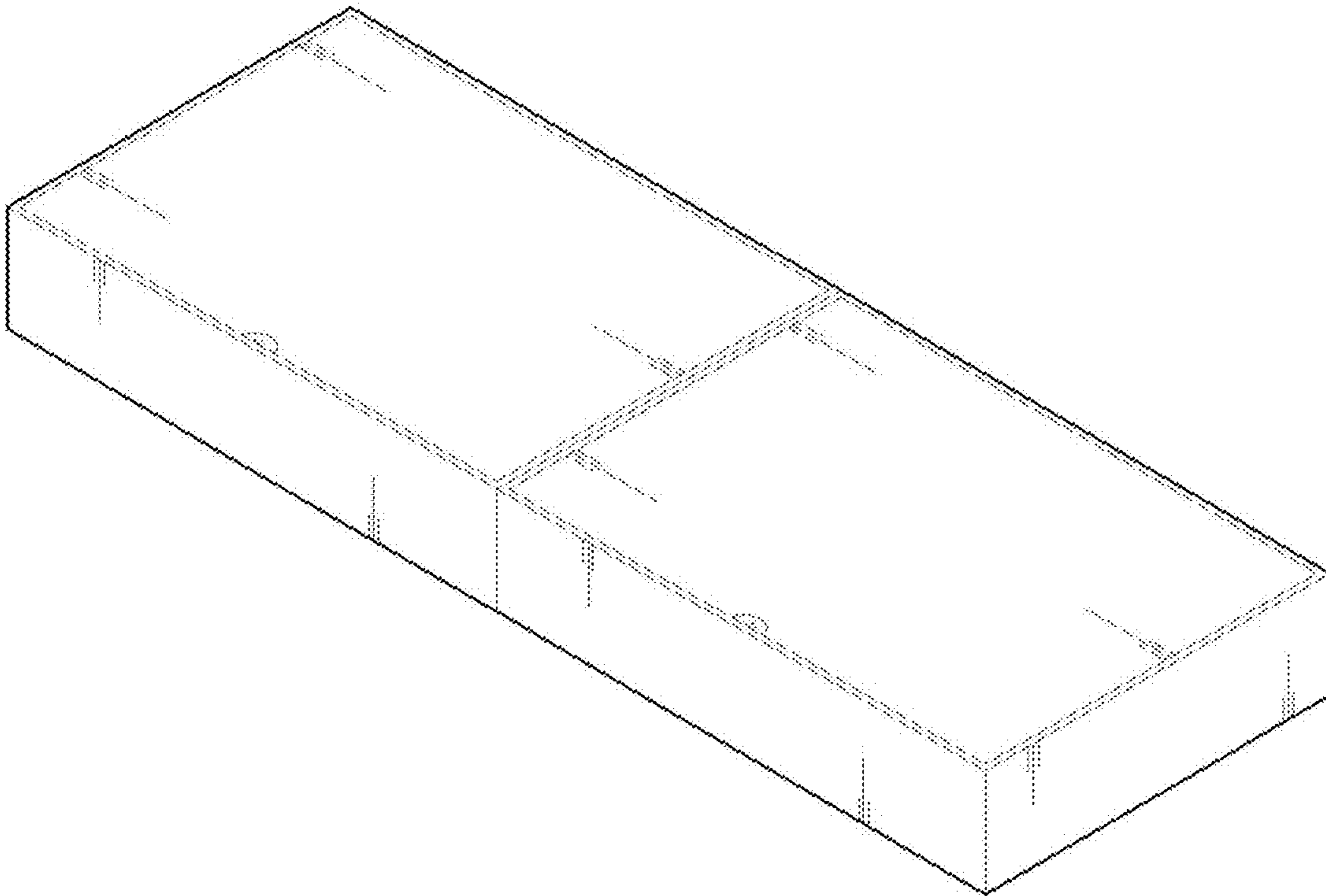
References Cited

U.S. PATENT DOCUMENTS

D755,641 S *	5/2016	O'Neill	B65D 5/5088
			D9/721
D763,683 S *	8/2016	O'Neill	D9/432
D763,684 S *	8/2016	O'Neill	D9/432
D780,569 S *	3/2017	Bard	D9/420
D780,570 S *	3/2017	Bard	D9/420
D805,892 S *	12/2017	Bard	D9/420
D808,259 S *	1/2018	Goossens	D9/432
D814,291 S *	4/2018	Taylor	D9/420
D814,925 S *	4/2018	Davidson	D9/430
D820,080 S *	6/2018	Kase	D9/420
D832,696 S *	11/2018	Balanevsky	D9/423

* cited by examiner

1.1



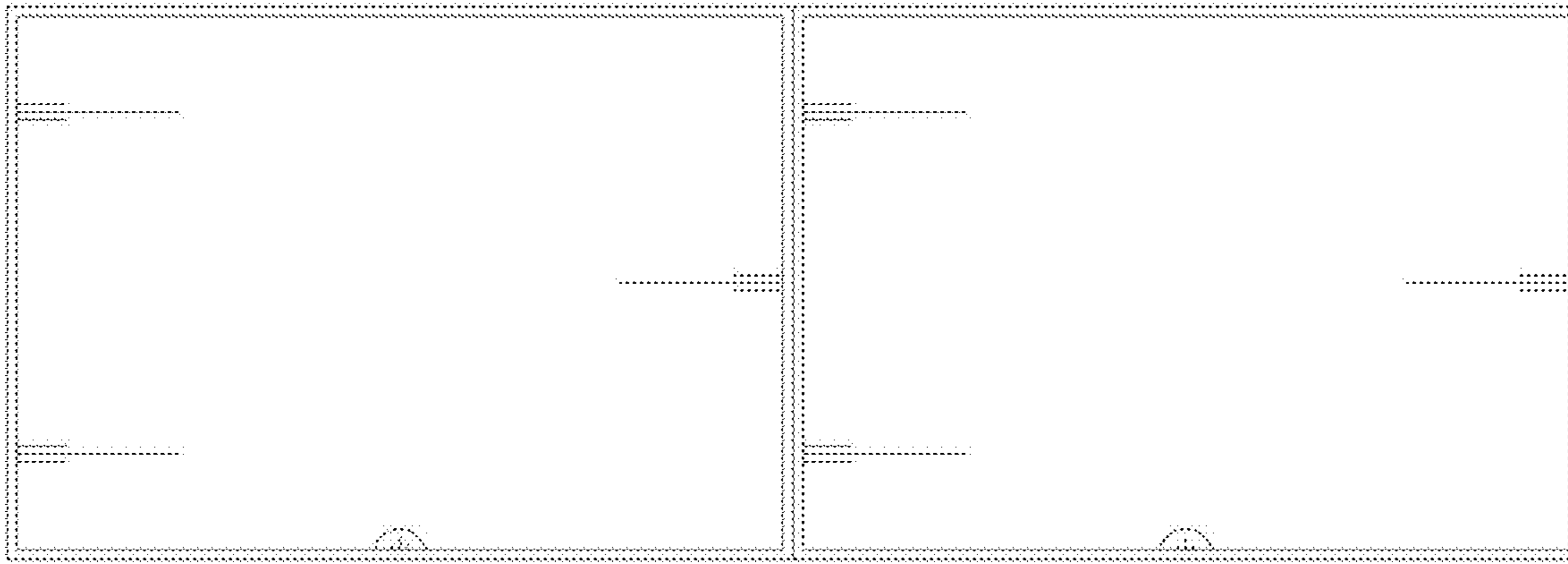
1.2



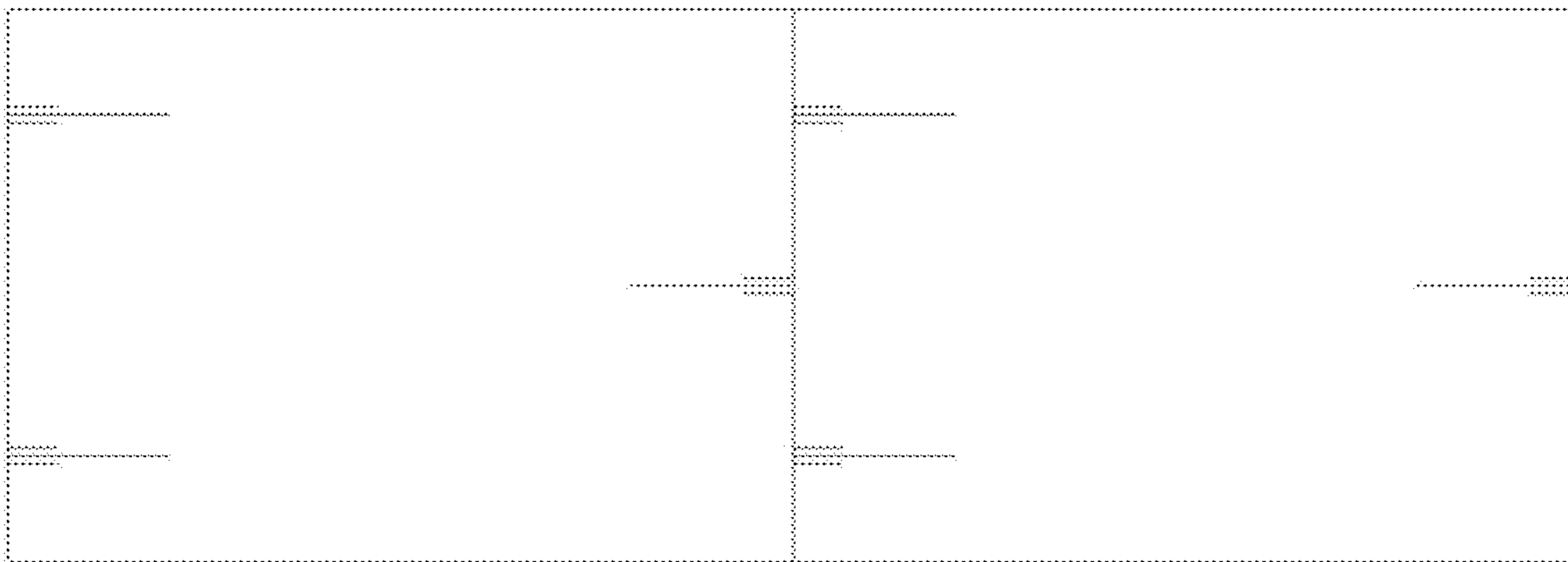
1.3



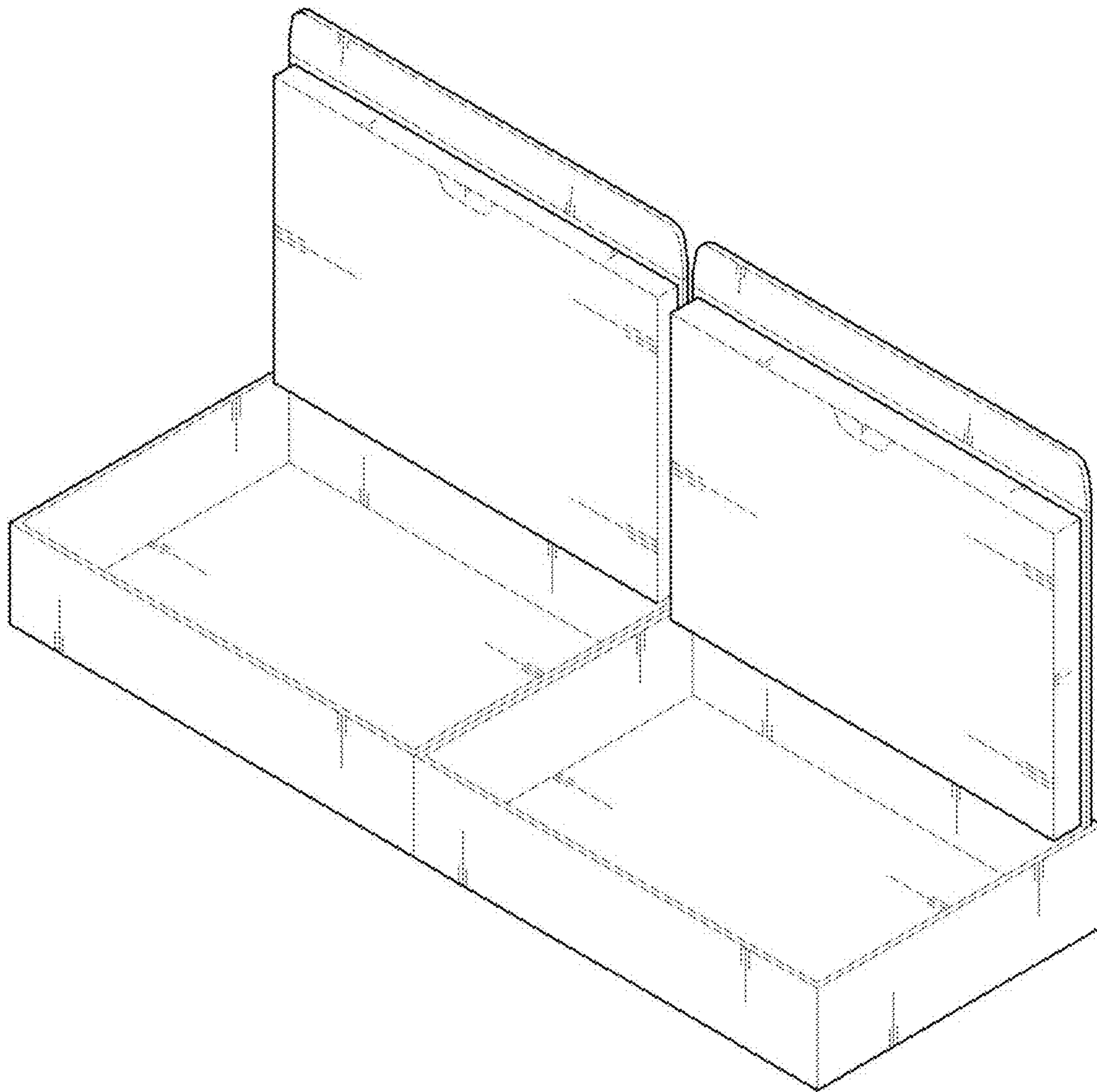
1.4



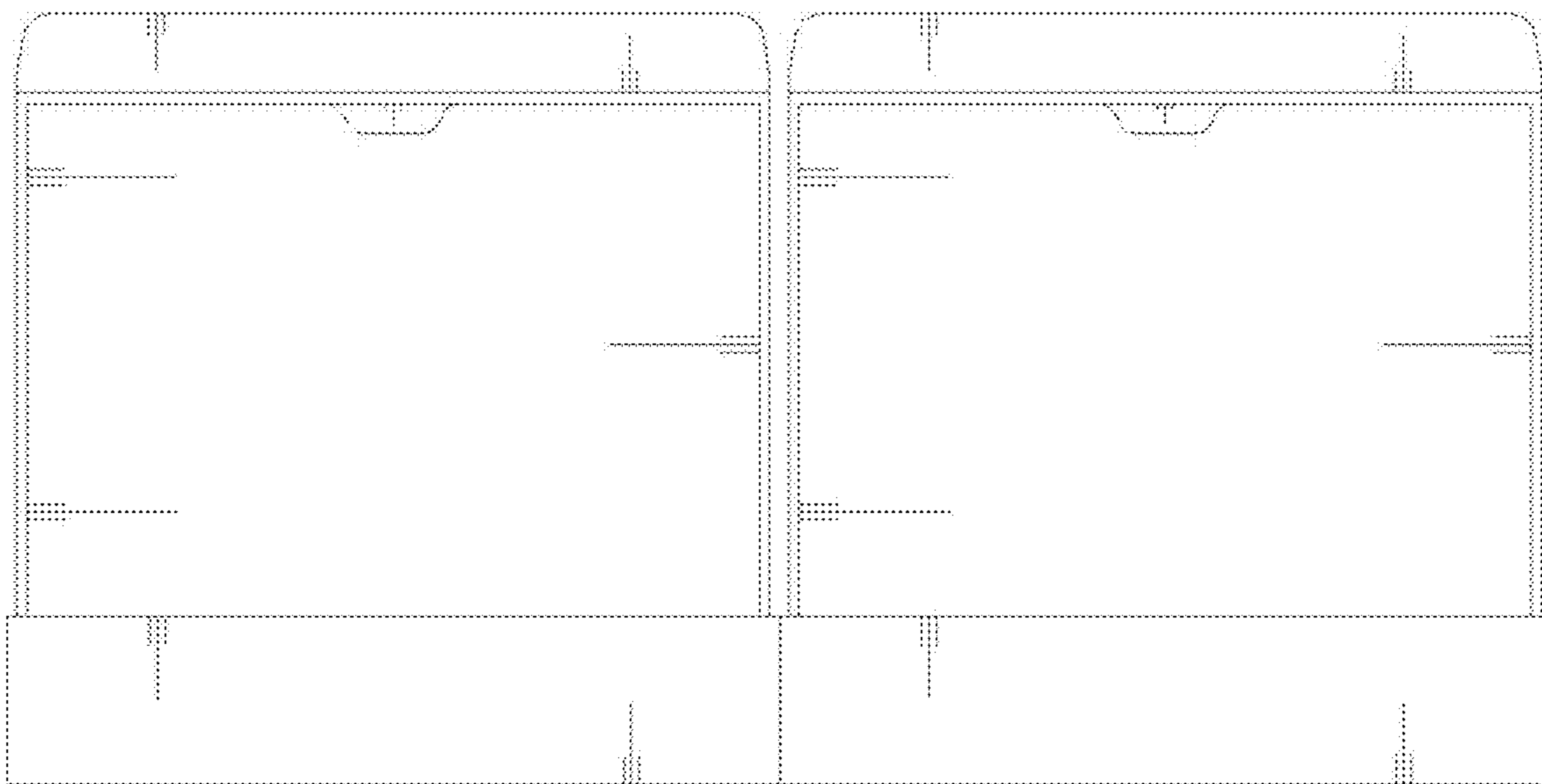
1.5



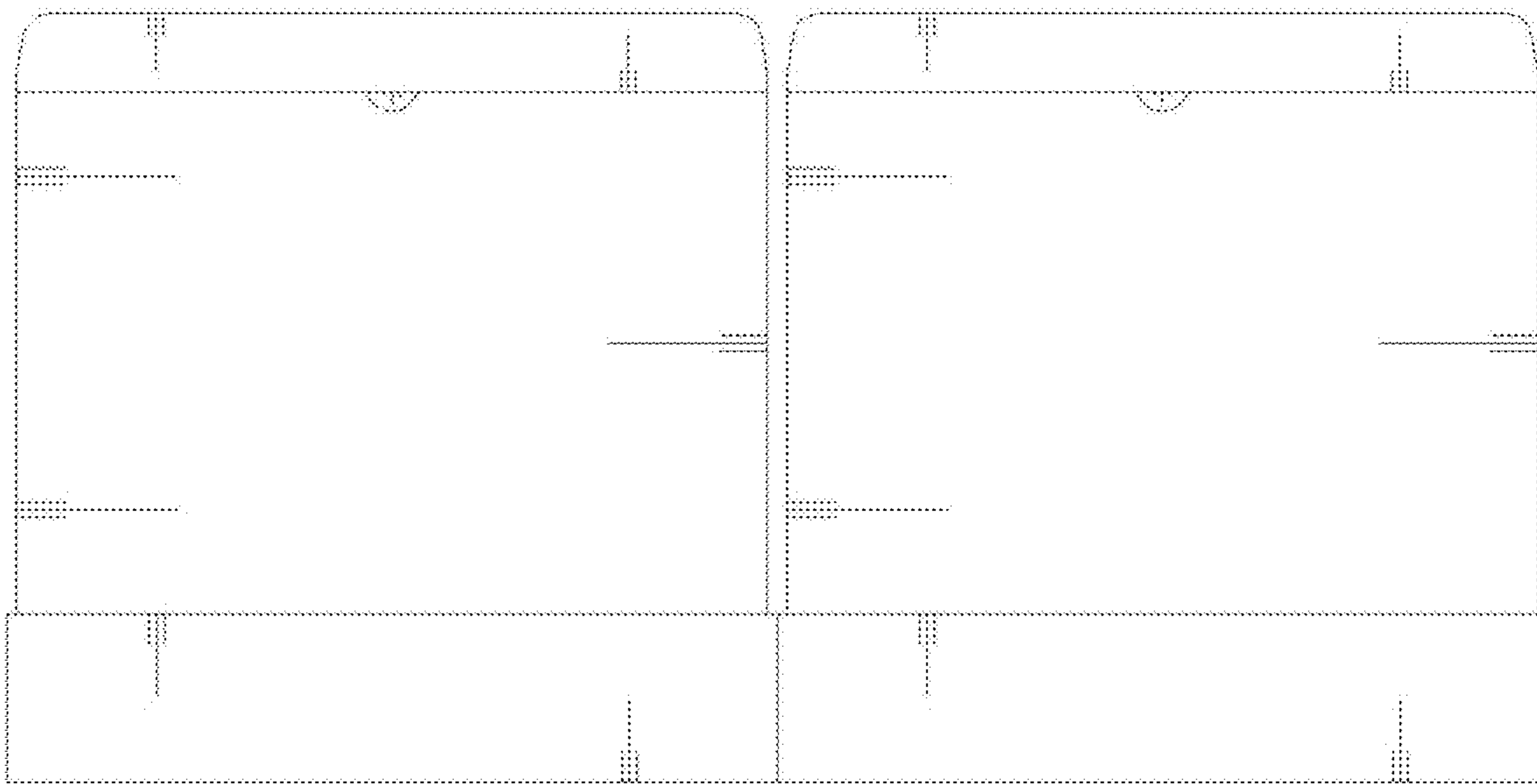
1.6



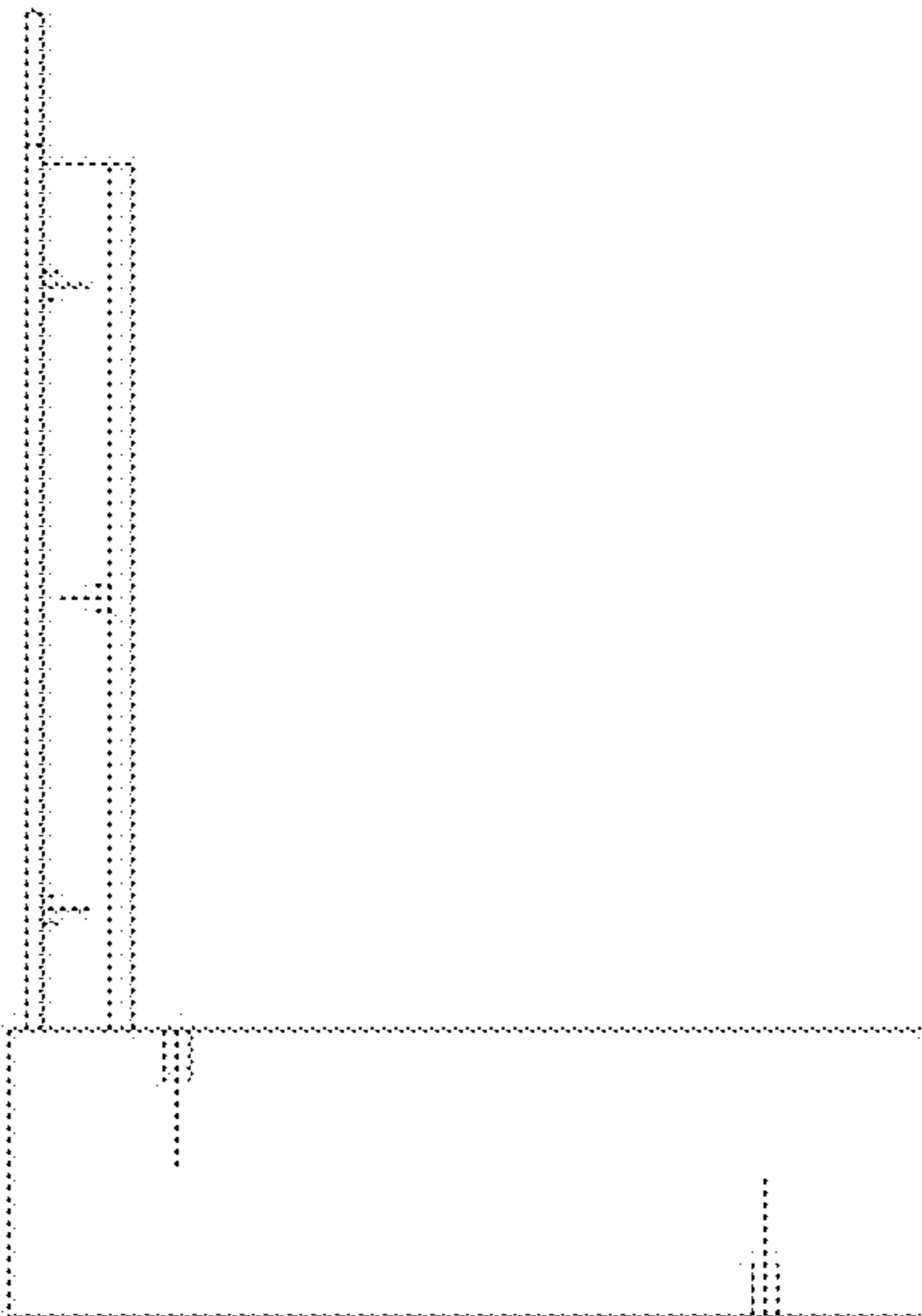
1.7



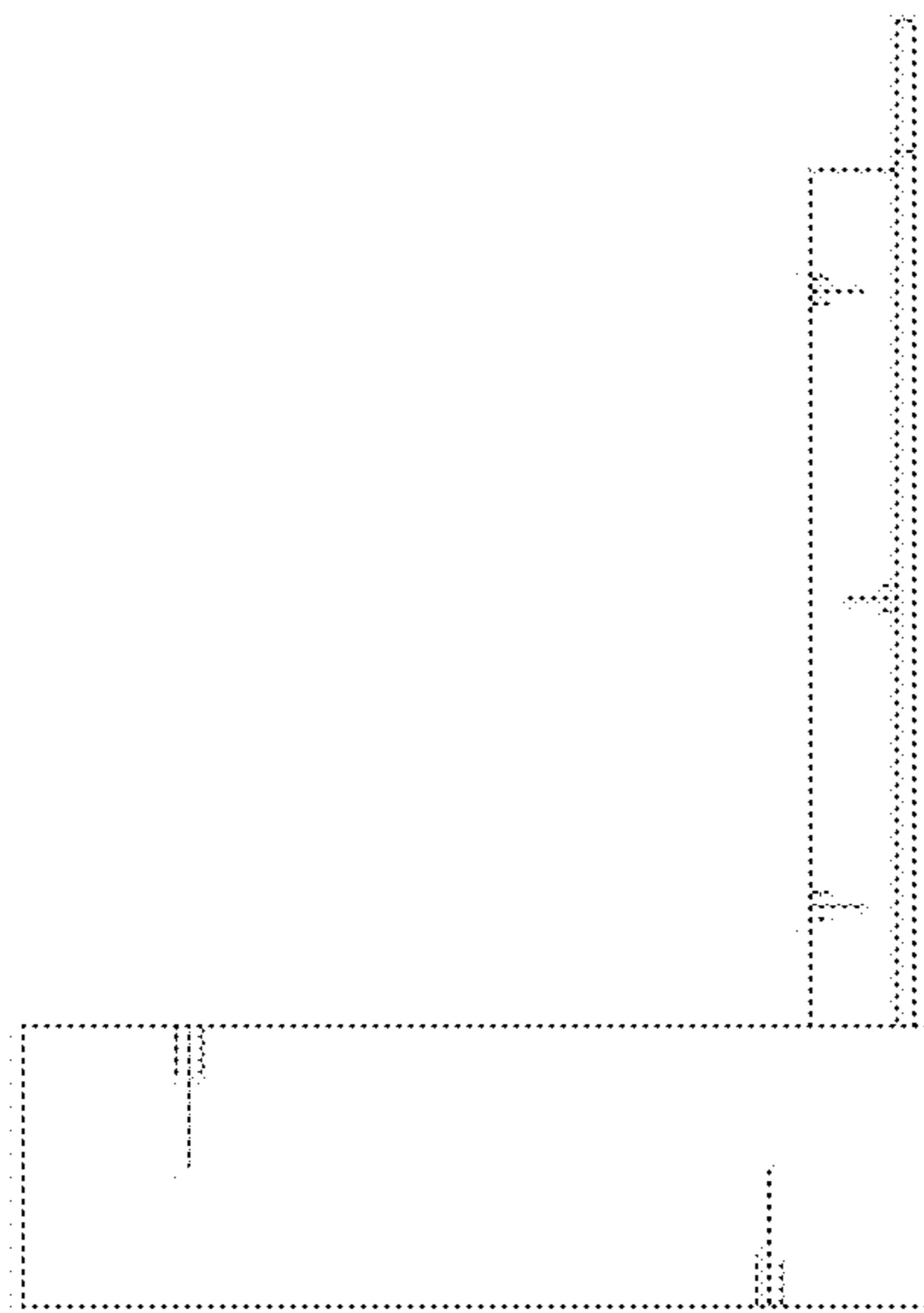
1.8



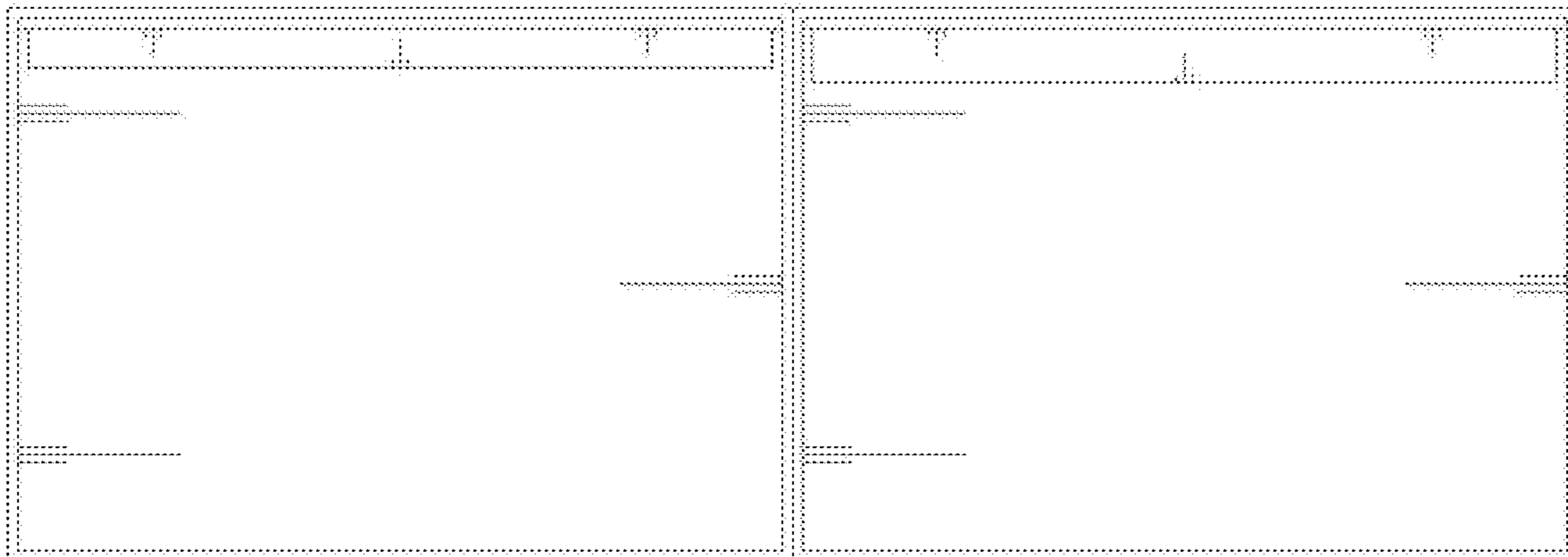
1.9



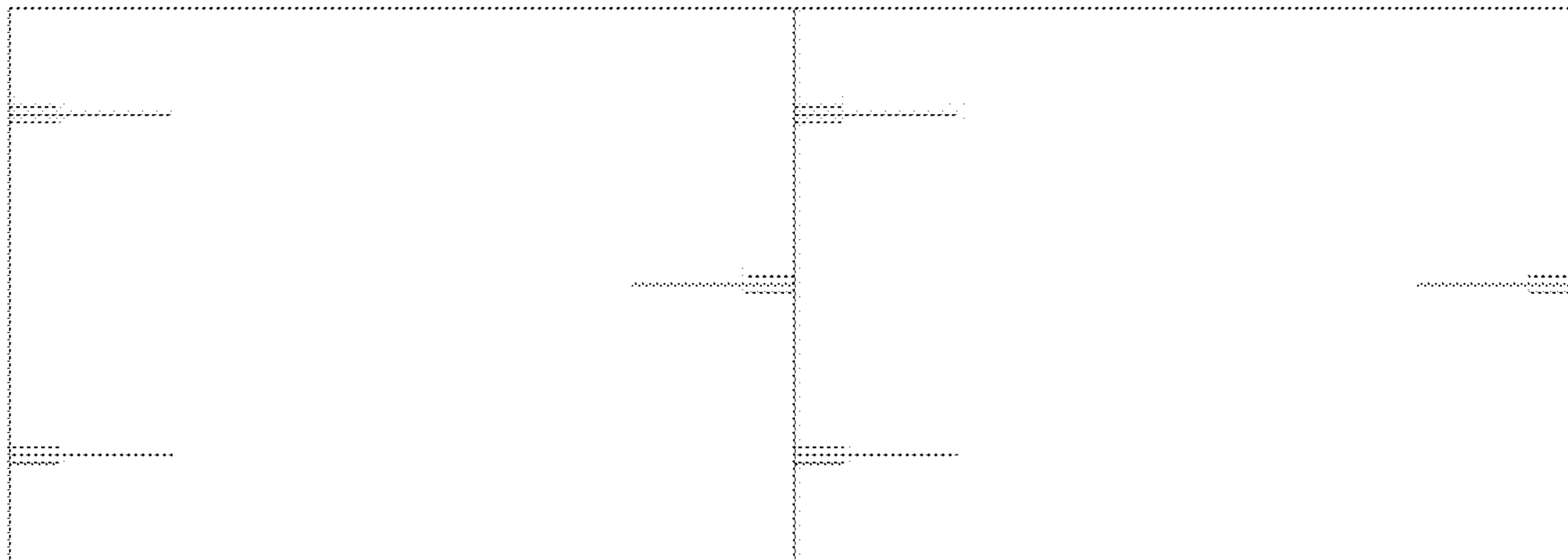
1.10



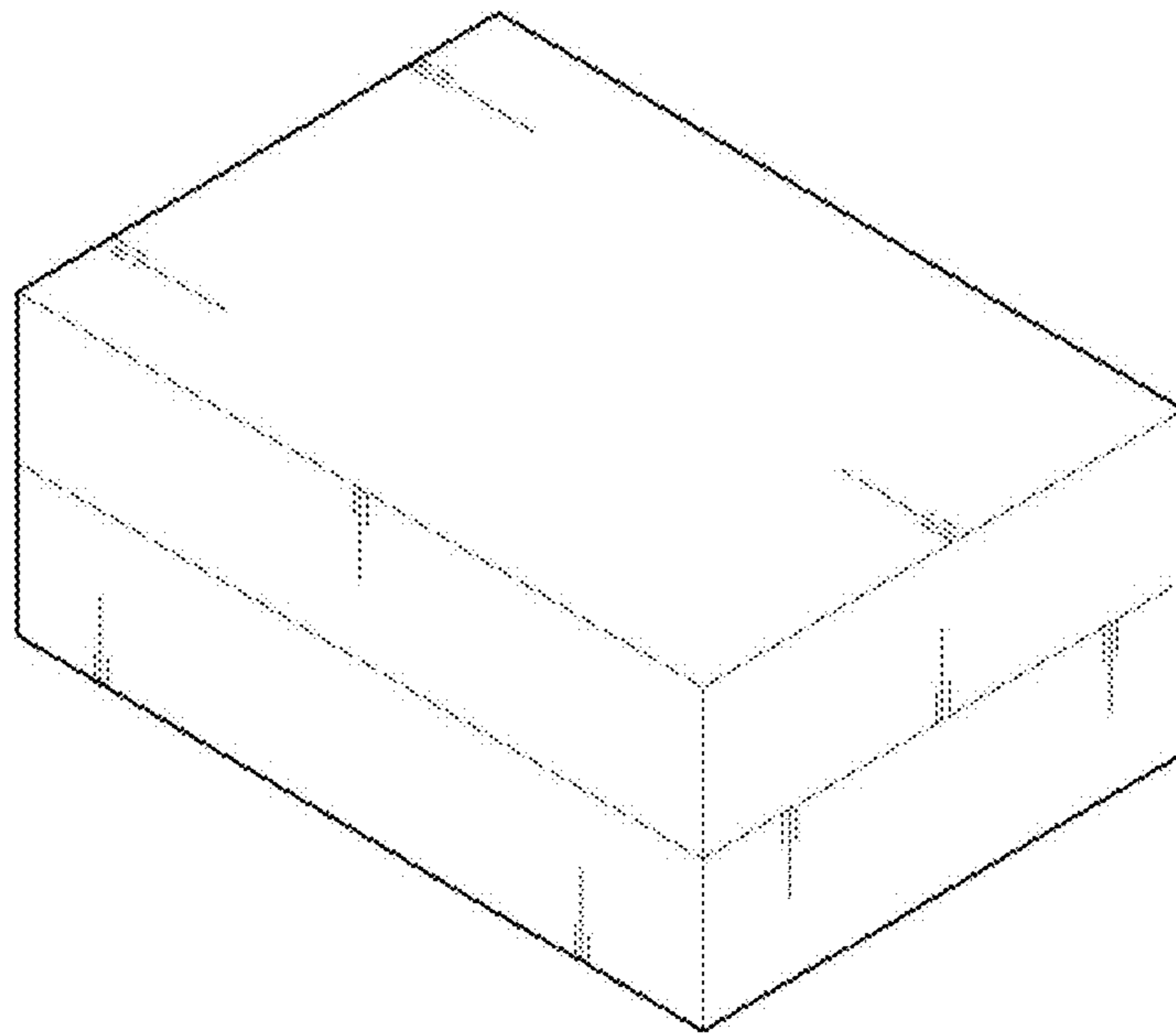
1.11



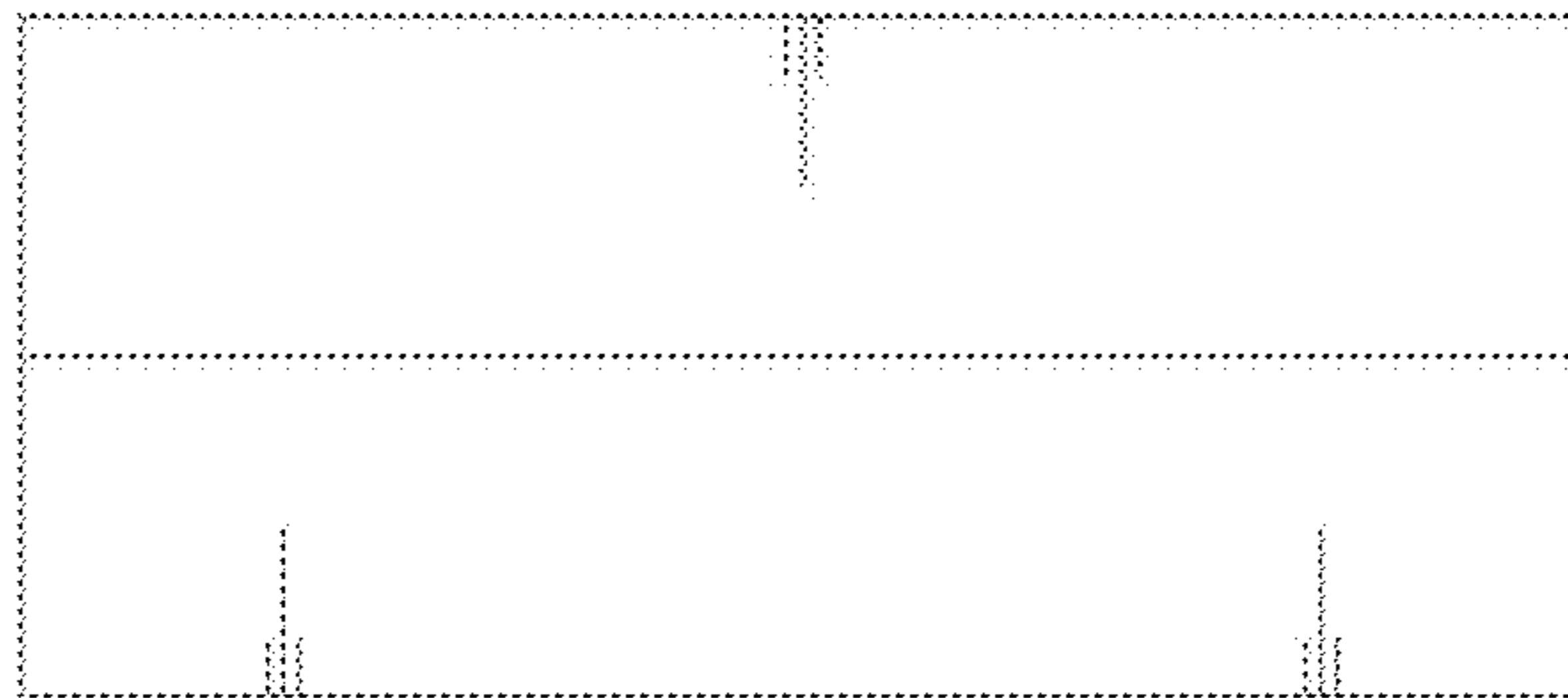
1.12



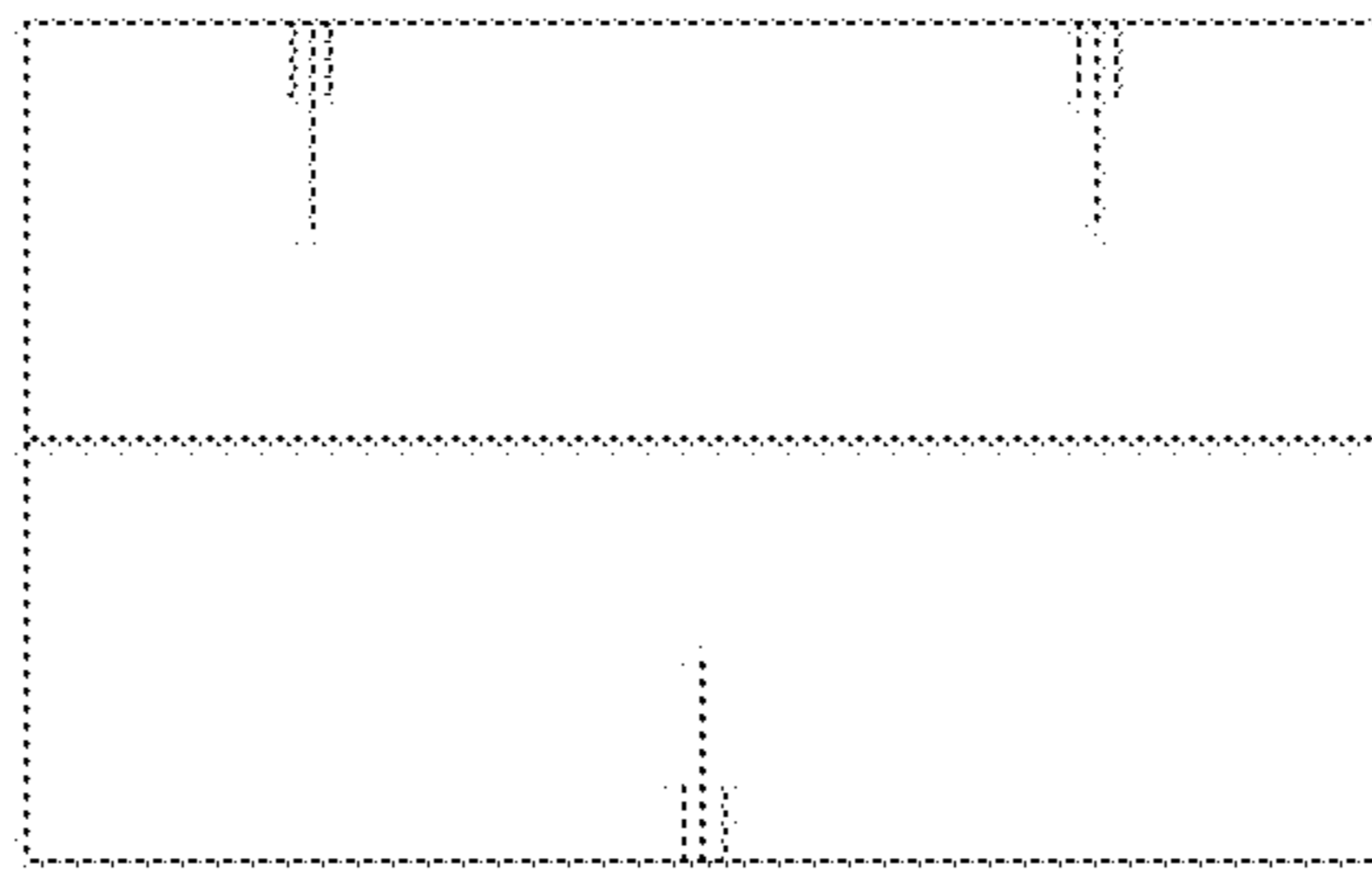
1.13



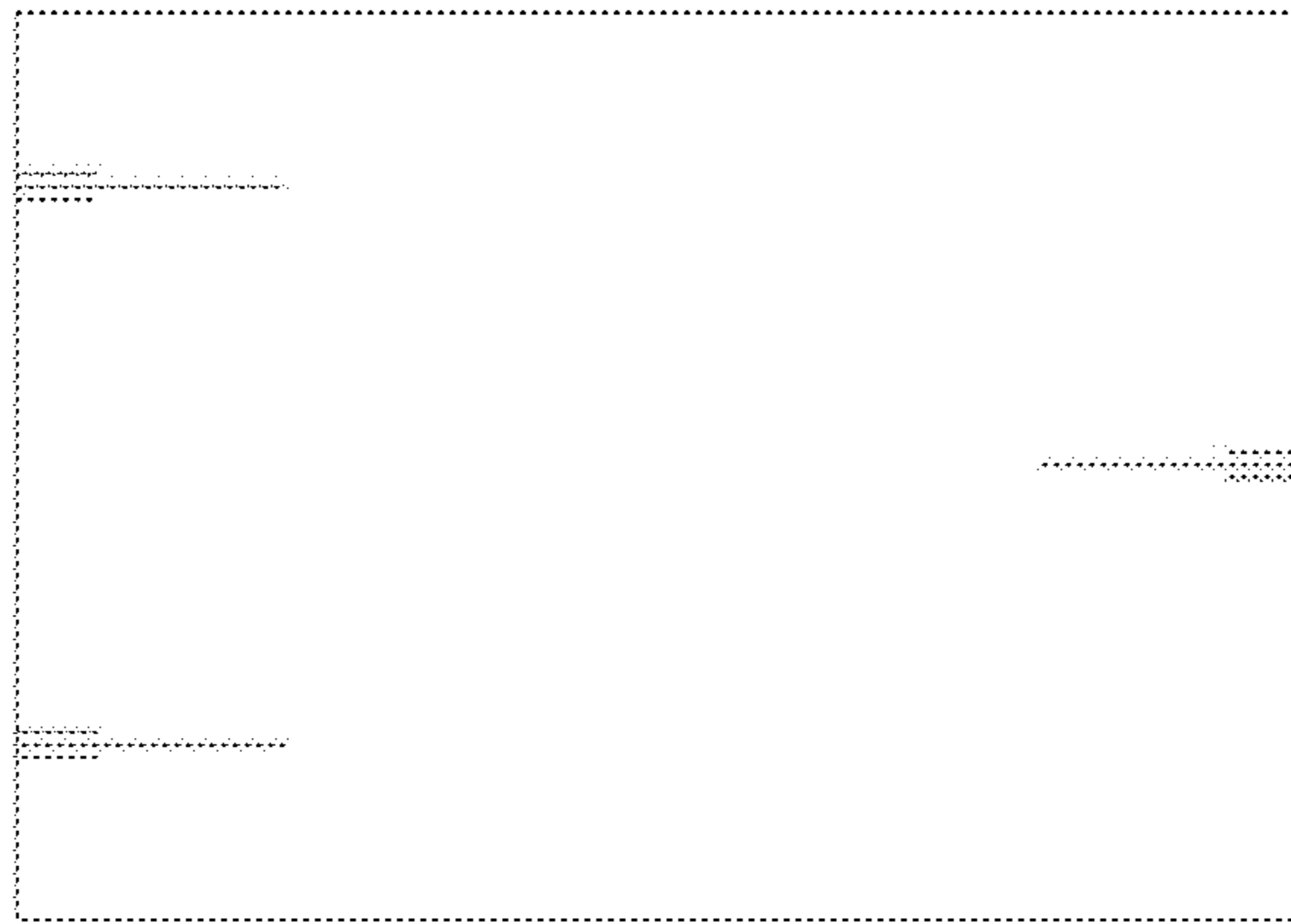
1.14



1.15



1.16



1.17

