



US00D854412S

(12) **United States Design Patent** (10) **Patent No.:** **US D854,412 S**
Smalley (45) **Date of Patent:** **** Jul. 23, 2019**

- (54) **CARRIER**
- (71) Applicant: **Graphic Packaging International, LLC, Atlanta, GA (US)**
- (72) Inventor: **Brian Smalley, Bristol (GB)**
- (73) Assignee: **Graphic Packaging International, LLC, Atlanta, GA (US)**
- (**) Term: **15 Years**
- (21) Appl. No.: **29/637,836**
- (22) Filed: **Feb. 22, 2018**
- (51) **LOC (11) Cl.** **09-03**
- (52) **U.S. Cl.**
USPC **D9/431; D9/751; D9/754; D9/433**
- (58) **Field of Classification Search**
USPC D9/414-423, 424-429, 430-432, 433, D9/434, 456, 457, 711, 713, 721-722, D9/751, 754
CPC ... B65D 5/00; B65D 5/02; B65D 5/18; B65D 5/20
See application file for complete search history.

- 2,868,433 A 1/1959 Anderson, Jr.
- 2,872,036 A 2/1959 Forrer
- 2,874,869 A 2/1959 Hennessey
- (Continued)

FOREIGN PATENT DOCUMENTS

- BE 671.762 3/1966
- CA 877792 8/1971
- (Continued)

OTHER PUBLICATIONS

China Recycle luxury 4 pack paper beer carrier box Manufacturer & Supplier. [online] Published on Aug. 18, 2014. Retrieved Dec. 18, 2018 from URL: <http://www.globalmarket.com/product-info/recycle-luxury-4-pack-paper-beer-carrier-box-6214358.html>.*

(Continued)

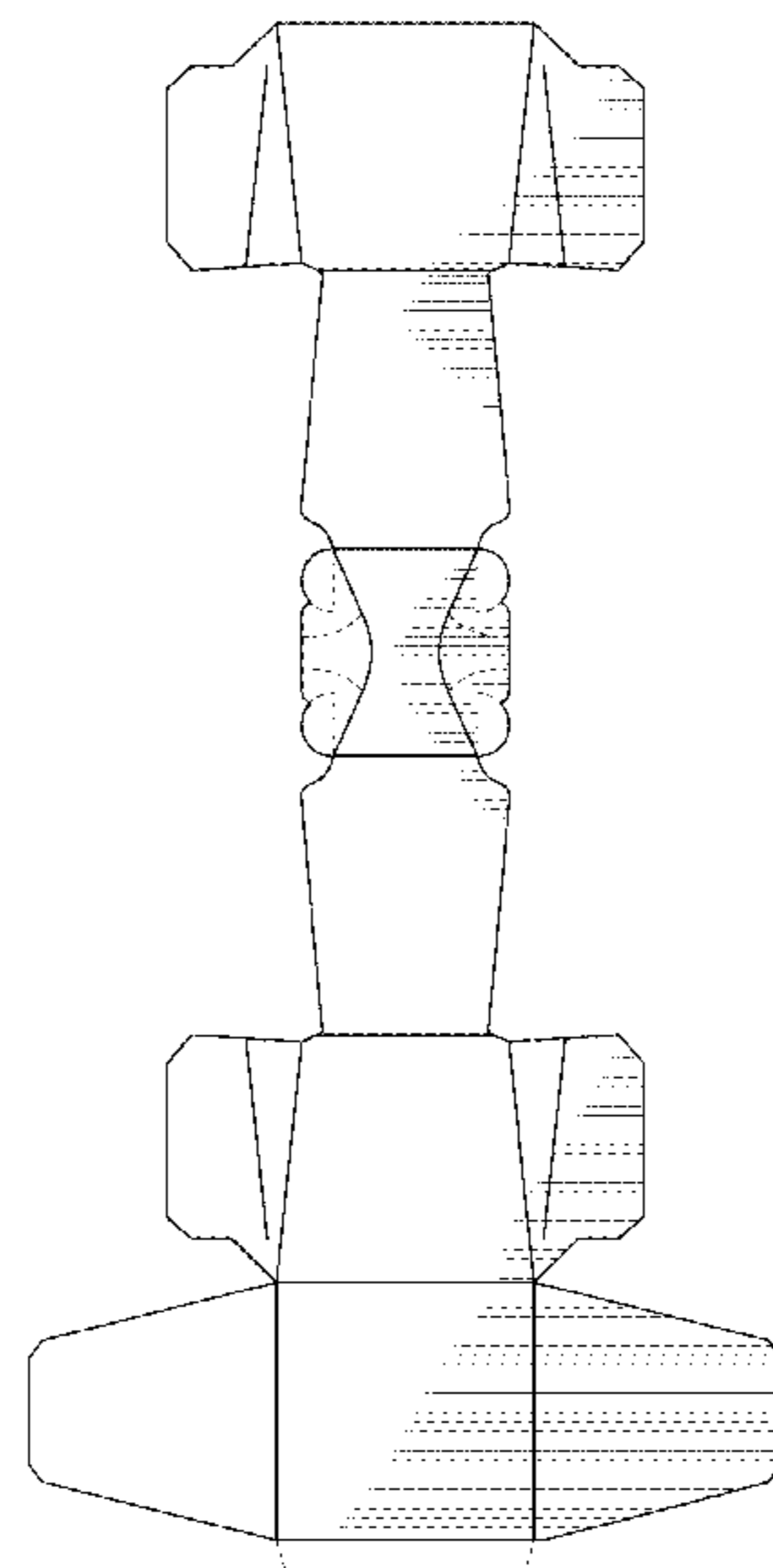
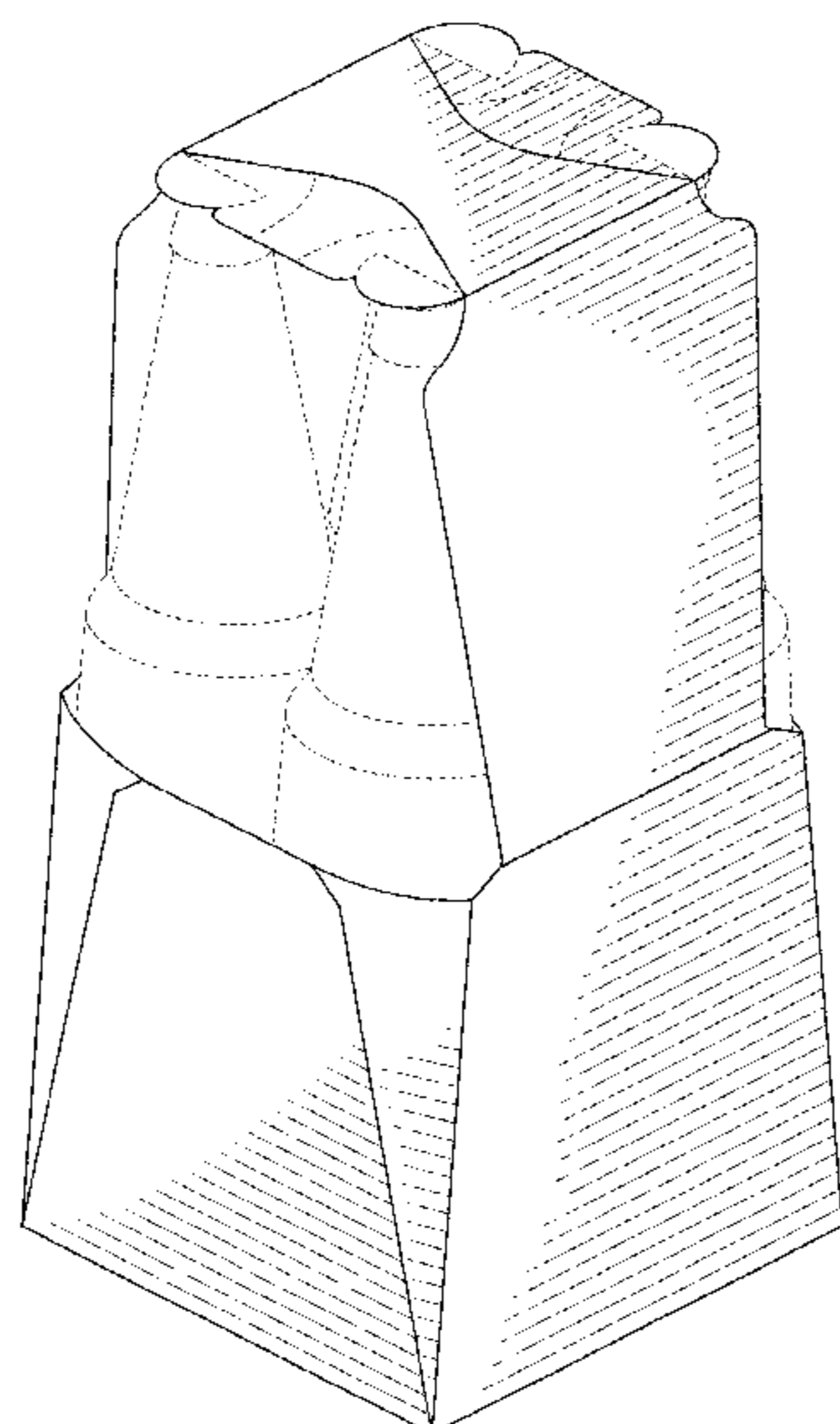
Primary Examiner — Vy N Koenig
(74) *Attorney, Agent, or Firm* — Womble Bond Dickinson (US) LLP

(57) **CLAIM**
The ornamental design for a carrier, as shown and described.

DESCRIPTION

FIG. 1 is a perspective view of a carrier showing my new design.
FIG. 2 is a front elevation view of the carrier of FIG. 1, the rear elevation view is a mirror image.
FIG. 3 is a left elevation view of the carrier of FIG. 1, the right elevation view is a mirror image.
FIG. 4 is a top plan view of the carrier of FIG. 1.
FIG. 5 is a bottom plan view of the carrier of FIG. 1; and, FIG. 6 is a plan view of the carrier of FIG. 1 shown in an unfolded configuration.
All evenly-spaced broken lines depict environmental subject matter and form no part of the claimed design.

1 Claim, 5 Drawing Sheets



(56)

References Cited

U.S. PATENT DOCUMENTS

2,922,561 A	1/1960	Currivan	4,637,515 A	1/1987	Wilson
2,928,541 A	3/1960	Fielding	4,653,686 A	3/1987	Wood
2,955,739 A	10/1960	Collura	4,681,217 A	7/1987	Hernandez
3,112,856 A	12/1963	MacIntosh et al.	4,681,252 A	7/1987	Doerr
3,127,720 A	4/1964	Gentry et al.	4,684,059 A	8/1987	Rusnock
3,178,242 A	4/1965	Ellis	4,706,876 A	11/1987	Wilson
3,204,815 A	9/1965	Weiss	4,728,025 A	3/1988	Oliff
3,257,066 A	6/1966	Williams	4,728,026 A	3/1988	Schuster
3,269,531 A	8/1966	Weiss	4,747,487 A	5/1988	Wood
3,300,115 A	1/1967	Schauer	4,747,534 A	5/1988	Marie
3,306,519 A	2/1967	Wood	4,784,266 A	11/1988	Chaussadas
3,309,005 A	3/1967	Pilger	4,784,316 A	11/1988	Crouch
3,334,767 A	8/1967	Cornelius et al.	4,785,991 A	11/1988	Schuster
3,339,723 A	9/1967	Wood	4,802,583 A	2/1989	Calvert
3,353,709 A	11/1967	Lawrence	4,804,089 A	2/1989	Wilson
3,355,012 A	11/1967	Weiss	4,811,894 A	3/1989	Schuster
3,356,279 A	12/1967	Root	4,830,267 A	5/1989	Wilson
3,371,846 A	3/1968	Detzel	4,838,479 A	6/1989	Wood
3,373,867 A	3/1968	Wood	4,875,585 A	10/1989	Kadleck
3,381,881 A	5/1968	Granz et al.	4,875,586 A	10/1989	Chaussadas
3,554,402 A	1/1971	Lock	RE33,110 E	11/1989	Wood
3,593,849 A	7/1971	Helms	4,901,849 A	2/1990	Wilson
3,635,452 A	1/1972	Helms	4,919,266 A	4/1990	McIntosh, Jr.
3,669,342 A	6/1972	Funkhouser	4,958,734 A	9/1990	Wood
3,746,245 A *	7/1973	Oglesbee B65D 5/48038	4,966,324 A	10/1990	Steel
		206/426	4,972,991 A	11/1990	Schuster
3,747,835 A	7/1973	Graser	4,974,771 A	12/1990	Lavery
3,767,042 A	10/1973	Ganz	4,981,253 A	1/1991	Quaintance
3,828,926 A	8/1974	Rossi	5,000,313 A	3/1991	Oliff
3,869,079 A *	3/1975	Oglesbee B65D 5/48038	5,002,186 A	3/1991	Cooper
		206/139	D316,672 S *	5/1991	Wood D9/433
3,886,901 A	6/1975	Zeitler	5,020,337 A	6/1991	Krieg
3,904,036 A	9/1975	Forrer	D318,802 S *	8/1991	Egide D9/418
3,933,303 A	1/1976	Kirby, Jr.	5,042,660 A	8/1991	Carver
3,963,121 A	6/1976	Kipp	5,060,792 A	10/1991	Oliff
3,994,432 A	11/1976	Kirby, Jr.	5,072,876 A	12/1991	Wilson
4,010,593 A	3/1977	Graham	5,094,359 A	3/1992	DeMars
4,029,204 A	6/1977	Manizza	5,106,014 A	4/1992	Miller
4,034,852 A	7/1977	Forrer	5,108,030 A	4/1992	Schuster
4,036,423 A	7/1977	Gordon	5,119,985 A	6/1992	Dawson
4,096,985 A	6/1978	Wood	5,131,588 A	7/1992	Oliff
4,101,069 A	7/1978	Wood	5,180,100 A	1/1993	Shimizu
4,111,306 A	9/1978	Roccaforte	5,195,676 A	3/1993	LeBras
4,202,446 A	5/1980	Sutherland	5,197,598 A	3/1993	Stout
4,216,861 A	8/1980	Oliff	5,221,041 A	6/1993	Stout
4,222,485 A	9/1980	Focke	5,222,658 A	6/1993	DeMaio
4,295,562 A	10/1981	Wood	5,234,102 A	8/1993	Schuster
4,314,634 A	2/1982	Stone	5,246,112 A	9/1993	Stout et al.
4,318,474 A	3/1982	Hasegawa	5,284,294 A	2/1994	Floyd
4,327,829 A	5/1982	Hughes	5,292,058 A	3/1994	Zoss
4,328,893 A	5/1982	Oliff	5,292,059 A	3/1994	Oliff
4,328,923 A	5/1982	Graser	5,297,673 A	3/1994	Sutherland
4,331,289 A	5/1982	Killy	5,297,725 A	3/1994	Sutherland
4,339,070 A	7/1982	Davies	5,303,863 A	4/1994	Arasim
4,364,509 A	12/1982	Holley, Jr.	5,307,932 A	5/1994	Stout
4,375,258 A	3/1983	Crayne	5,307,986 A	5/1994	Schuster
4,378,905 A	4/1983	Roccaforte	5,320,277 A	6/1994	Stout
4,382,505 A	5/1983	Sutherland	5,333,734 A	8/1994	Stout
4,394,903 A	7/1983	Bakx	D350,480 S	9/1994	Sutherland
4,405,078 A	9/1983	Dutcher	5,351,878 A	10/1994	Cooper
4,424,901 A	1/1984	Lanier	5,379,944 A	1/1995	Stout
4,440,340 A	4/1984	Bakx	5,381,891 A	1/1995	Harris
4,470,503 A	9/1984	Stone	5,385,234 A	1/1995	Stout
4,478,334 A	10/1984	Graser	5,395,044 A	3/1995	Stout
4,498,619 A	2/1985	Roccaforte	5,421,458 A	6/1995	Campbell
4,508,258 A	4/1985	Graser	5,427,241 A	6/1995	Sutherland
4,533,047 A	8/1985	Calvert	5,458,234 A	10/1995	Harris
4,538,759 A	9/1985	Dutcher	5,472,090 A	12/1995	Sutherland
4,545,485 A	10/1985	Oliff	5,472,138 A	12/1995	Ingram
4,546,914 A	10/1985	Roccaforte	5,480,091 A	1/1996	Stout
4,558,816 A	12/1985	Wood	5,482,203 A	1/1996	Stout
4,566,593 A	1/1986	Muller	5,485,915 A	1/1996	Harris
4,577,799 A	3/1986	Oliff	5,495,727 A	3/1996	Strong
4,582,199 A	4/1986	Schuster	5,505,372 A	4/1996	Edson et al.
4,588,084 A	5/1986	Holley, Jr.	5,524,756 A	6/1996	Sutherland
			5,542,536 A	8/1996	Sutherland
			5,549,197 A	8/1996	Sutherland
			D373,306 S *	9/1996	Baxter D9/754
			5,551,556 A	9/1996	Sutherland

(56)

References Cited

U.S. PATENT DOCUMENTS

5,558,212 A 9/1996 Sutherland
 5,558,213 A 9/1996 Sutherland
 5,582,343 A 12/1996 Dalvey
 5,593,027 A 1/1997 Sutherland
 5,595,291 A 1/1997 Negelen
 5,597,071 A 1/1997 Sutherland
 5,609,251 A 3/1997 Harris
 5,639,017 A 6/1997 Fogle
 5,647,483 A 7/1997 Harris
 5,664,401 A 9/1997 Portrait et al.
 5,669,500 A 9/1997 Sutherland
 5,682,995 A 11/1997 Sutherland
 5,692,614 A 12/1997 Harris
 5,699,957 A 12/1997 Blin
 5,704,470 A 1/1998 Sutherland
 5,738,273 A 4/1998 Auclair
 D395,007 S * 6/1998 Miller D9/431
 5,778,630 A 7/1998 Portrait et al.
 5,794,778 A 8/1998 Harris
 5,796,778 A 8/1998 Kurker
 5,819,920 A 10/1998 Sutherland
 5,826,782 A 10/1998 Stout
 5,826,783 A 10/1998 Stout
 5,853,088 A 12/1998 Saulas et al.
 5,855,318 A 1/1999 Baxter
 5,873,515 A 2/1999 Dunn
 5,878,946 A 3/1999 Frerot
 5,906,313 A 5/1999 Oliff
 5,915,546 A 6/1999 Harrelson
 5,931,300 A 8/1999 Sutherland
 5,937,620 A 8/1999 Chalendar
 5,941,453 A 8/1999 Oliff
 5,943,847 A 8/1999 Chalendar
 5,947,367 A 9/1999 Miller et al.
 D415,423 S * 10/1999 Miller D9/431
 5,975,286 A 11/1999 Oliff
 5,992,733 A 11/1999 Gomes
 5,996,883 A 12/1999 Bates
 6,019,220 A 2/2000 Sutherland
 6,019,276 A 2/2000 Auclair
 6,021,898 A 2/2000 Sutherland
 6,021,899 A 2/2000 Sutherland
 6,065,590 A 5/2000 Spivey
 6,105,853 A 8/2000 Lamare
 6,105,854 A 8/2000 Spivey
 6,109,438 A 8/2000 Sutherland
 6,126,066 A 10/2000 Peterson
 6,129,266 A 10/2000 Oliff
 6,131,803 A 10/2000 Oliff
 6,155,480 A 12/2000 Botsford et al.
 6,158,586 A 12/2000 Muller
 6,164,526 A 12/2000 Dalvey
 6,170,741 B1 1/2001 Skolik
 6,227,367 B1 5/2001 Harrelson et al.
 6,237,839 B1 5/2001 Brown
 6,250,542 B1 6/2001 Negelen
 6,260,755 B1 7/2001 Bates
 6,273,330 B1 8/2001 Oliff
 6,289,651 B1 9/2001 Le Bras
 6,302,320 B1 10/2001 Stout
 6,315,123 B1 11/2001 Ikeda
 D456,710 S * 5/2002 Persson D9/431
 6,425,520 B1 7/2002 Peterson
 6,484,903 B2 11/2002 Spivey
 6,523,739 B2 2/2003 Heeley
 6,536,656 B2 3/2003 Auclair
 6,550,616 B2 4/2003 Le Bras
 6,631,803 B2 10/2003 Rhodes
 6,695,137 B2 2/2004 Jones
 6,758,337 B2 7/2004 Chargueraud
 6,766,940 B2 7/2004 Negelen
 6,811,525 B2 11/2004 Culpepper
 6,848,573 B2 2/2005 Gould
 6,866,185 B2 3/2005 Harrelson
 6,896,130 B2 5/2005 Theelen

6,905,066 B2 6/2005 Holley, Jr.
 6,926,193 B2 8/2005 Smalley
 6,942,140 B2 9/2005 Merzeau
 6,948,651 B2 9/2005 Ikeda
 6,968,992 B2 11/2005 Schuster
 6,981,631 B2 1/2006 Fogle et al.
 6,988,617 B2 1/2006 Gomes et al.
 D516,439 S * 3/2006 Cargile, Jr. D9/753
 7,007,800 B2 3/2006 Le Bras
 7,007,836 B2 3/2006 Smalley
 D531,026 S * 10/2006 McMorris D9/754
 7,159,759 B2 1/2007 Sutherland
 7,273,161 B2 9/2007 Fogle
 7,427,010 B2 9/2008 Sutherland
 7,448,492 B2 11/2008 Sutherland
 7,472,791 B2 1/2009 Spivey, Sr.
 7,743,968 B2 6/2010 Theelen
 D620,354 S * 7/2010 Block D9/433
 7,748,603 B2 7/2010 Fogle
 7,757,933 B2 7/2010 Dunn
 7,762,397 B2 7/2010 Coltri-Johnson
 7,793,779 B2 9/2010 Spivey, Sr.
 7,806,314 B2 10/2010 Sutherland
 8,348,142 B2 1/2013 Smalley
 8,985,433 B2 3/2015 Sutherland
 9,199,774 B2 12/2015 Smalley et al.
 D765,500 S * 9/2016 Brown D9/415
 2003/0000182 A1 1/2003 Portrait et al.
 2003/0132130 A1 7/2003 Bras
 2003/0213263 A1 11/2003 Woog
 2004/0011674 A1 1/2004 Theelen
 2004/0074854 A1 4/2004 Lin
 2004/0089671 A1 5/2004 Miller
 2004/0188277 A1 9/2004 Auclair
 2004/0188301 A1 9/2004 Gomes
 2004/0243277 A1 12/2004 Bonnain et al.
 2004/0254666 A1 12/2004 Bonnain et al.
 2005/0001020 A1 1/2005 Garnier
 2005/0056658 A1 3/2005 Spivey
 2005/0167478 A1 8/2005 Holley
 2005/0178791 A1 8/2005 Miller
 2005/0194430 A1 9/2005 Auclair et al.
 2006/0169755 A1 8/2006 Spivey
 2006/0191811 A1 8/2006 Fogle et al.
 2006/0255108 A1 11/2006 Shmagin
 2006/0273143 A1 12/2006 Finch
 2007/0017962 A1 1/2007 Russ
 2007/0029371 A1 2/2007 Theelen
 2007/0039846 A1 2/2007 Spivey
 2007/0051781 A1 3/2007 Holley
 2007/0108261 A1 5/2007 Schuster
 2007/0164091 A1 7/2007 Fogle
 2007/0181658 A1 8/2007 Sutherland
 2007/0205255 A1 9/2007 Dunn
 2007/0295789 A1 12/2007 Ho Fung
 2008/0067223 A1 3/2008 Jego
 2008/0073420 A1 3/2008 Walling
 2009/0236408 A1 9/2009 Spivey
 2010/0213249 A1 8/2010 Requena
 2011/0036902 A1 2/2011 Smalley

FOREIGN PATENT DOCUMENTS

CA 1 243 987 11/1988
 CA 2 160 145 9/1995
 DE 85 14 718.4 6/1985
 DE 91 04 905.9 6/1991
 DE 92 03 858.1 5/1992
 DE 296 07 374 4/1996
 DE 201 12 228 11/2002
 DE 20 2004 018 649 4/2005
 EP 0 459 658 12/1991
 EP 0 473 266 3/1992
 EP 0 509 749 10/1992
 EP 0 520 411 12/1992
 EP 1 612 157 1/2006
 EP 2 149 506 2/2010
 FR 1 438 035 1/1965
 FR 2 698 074 5/1994

(56)

References Cited

FOREIGN PATENT DOCUMENTS

GB	1101345	1/1968
GB	2202825	10/1988
GB	2209515	5/1989
JP	5-112373	5/1993
JP	7-11566	2/1995
JP	H08-2551	1/1996
JP	10-338266	12/1998
JP	2003-200967	7/2003
JP	2004-533378	11/2004
WO	WO 96/27538	9/1996
WO	WO 97/27124	7/1997
WO	WO 98/09871	3/1998
WO	WO 99/28207	6/1999
WO	WO 00/78618	12/2000
WO	WO 01/66434	9/2001
WO	WO 02/102208	12/2002
WO	WO 03/004377	1/2003
WO	WO 03/008292	1/2003
WO	WO 03/037742	5/2003
WO	WO 2005/080218	9/2005
WO	WO 2005/042370	12/2005
WO	WO 2005/123532	12/2005
WO	WO 2007/089282	8/2007
WO	WO 2009/117562	9/2009
WO	WO 2011/022378	2/2011

OTHER PUBLICATIONS

Izze Sparkling Blackberry Juice Beverage 4 PK Cans. [online]
Retrieved Jan. 3, 2019 from URL: https://allergeninside.com/foods/ingredients/836093012022/Izze-Sparkling-Blackberry-Juice-Beverage-4-PK-Cans.*

* cited by examiner

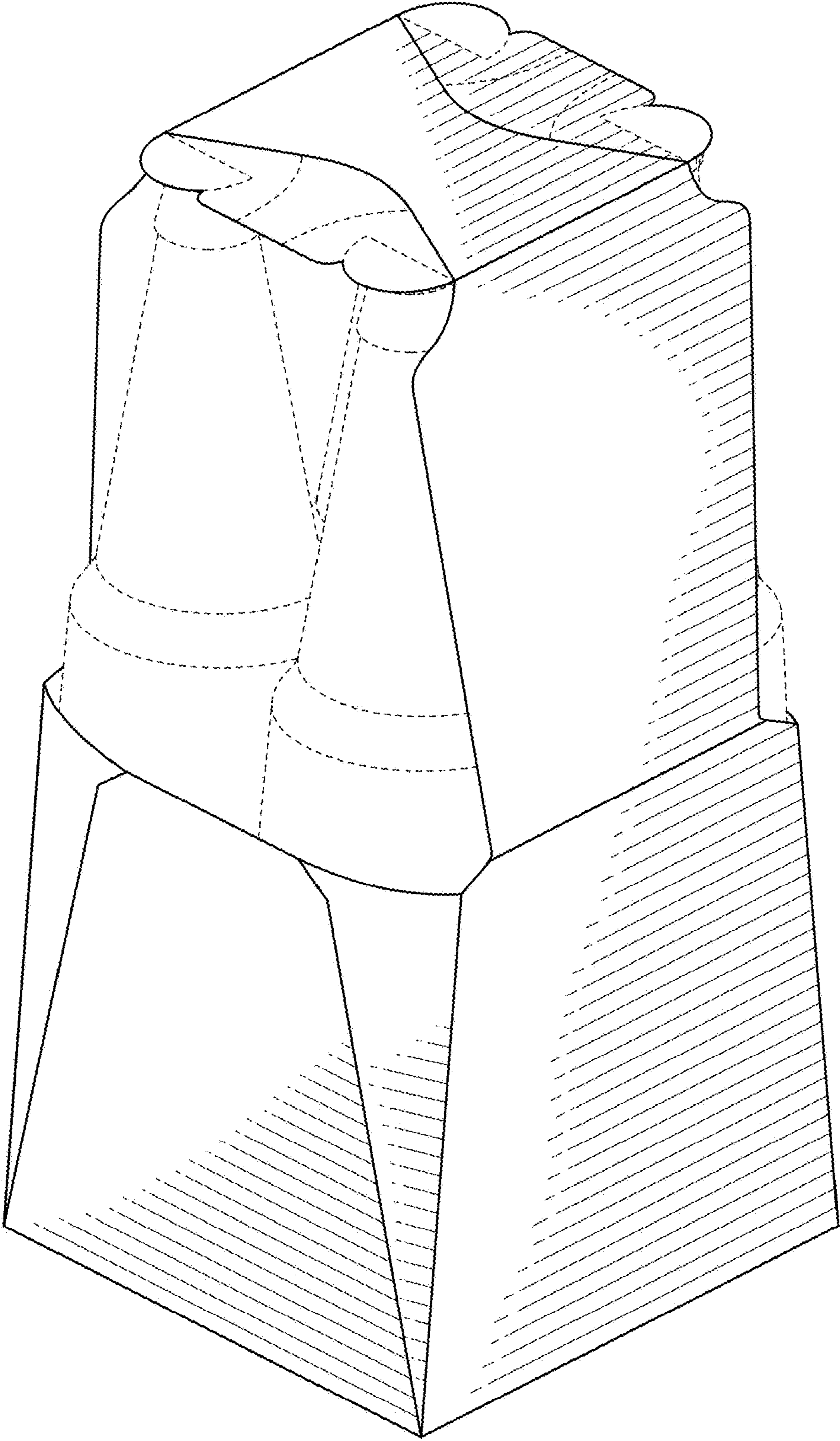


FIG. 1

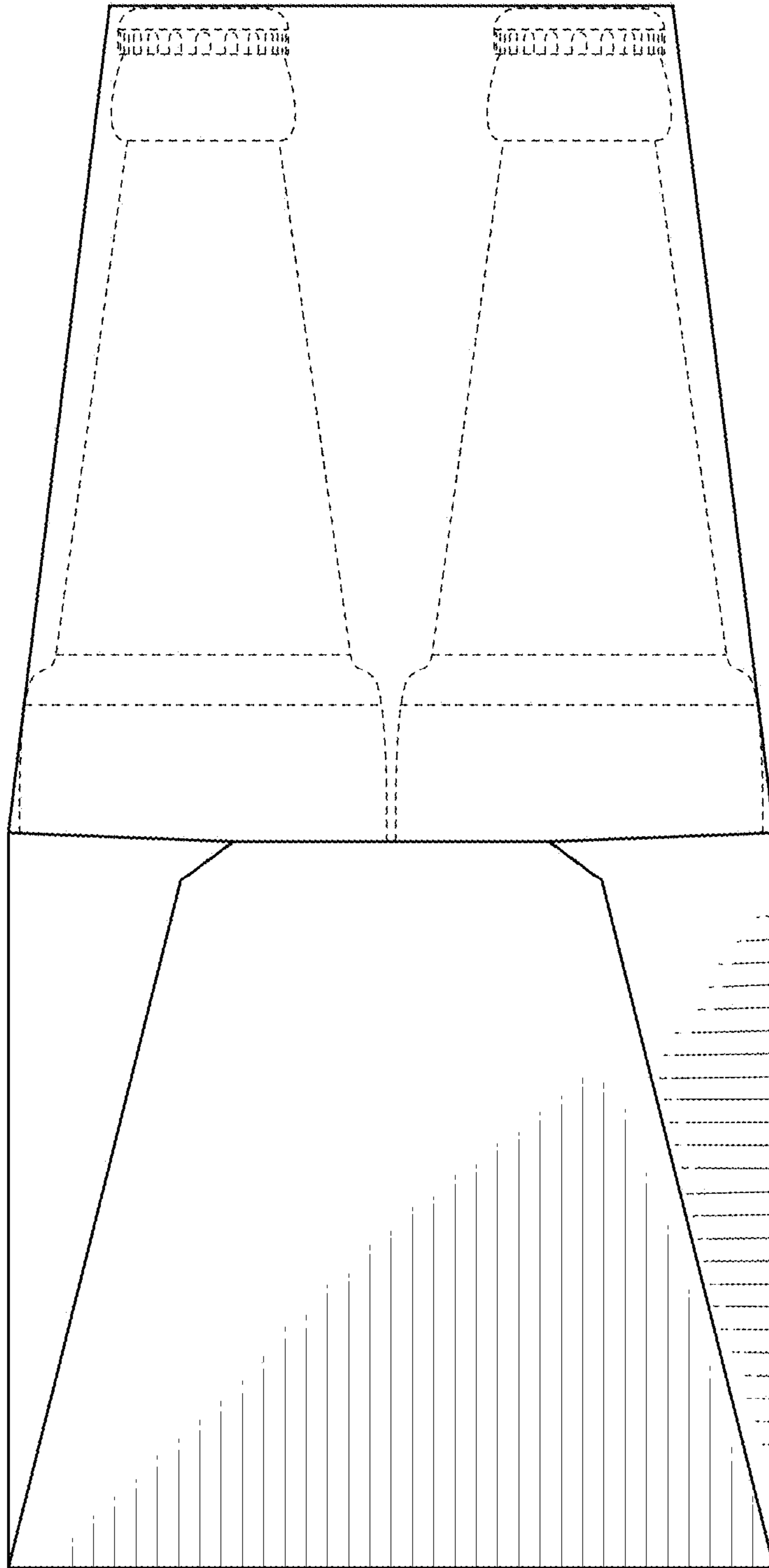


FIG. 2

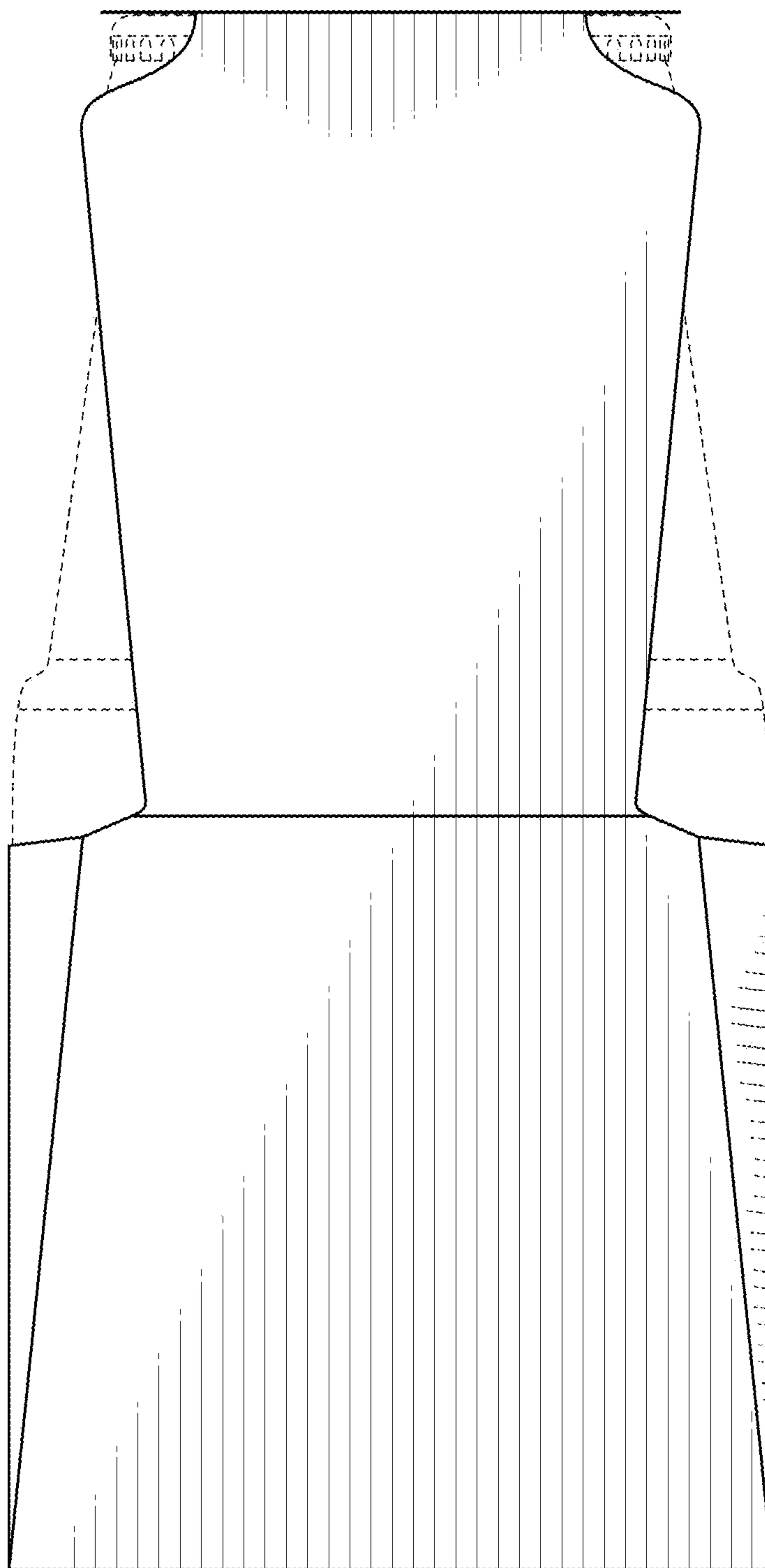


FIG. 3

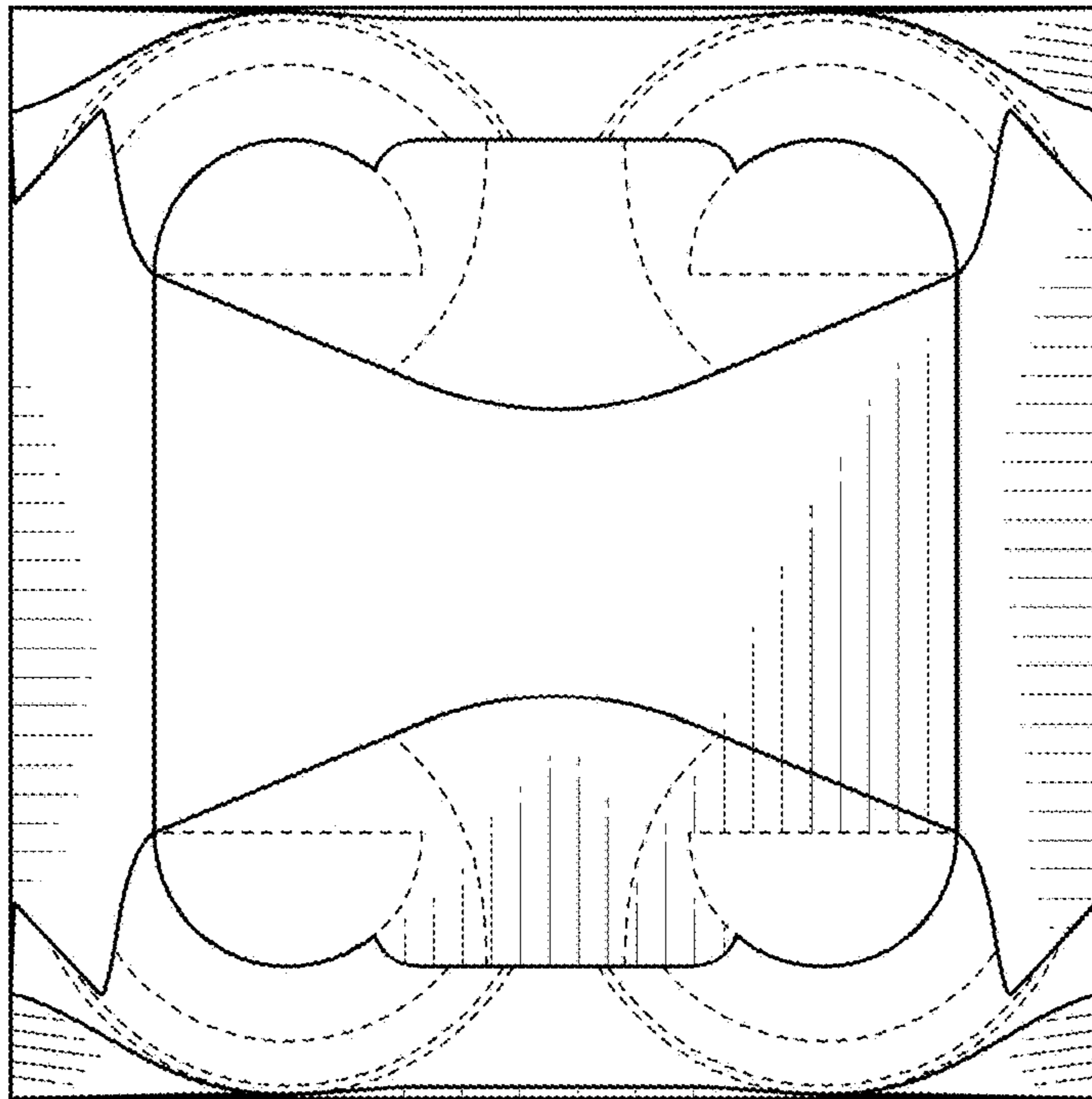


FIG. 4

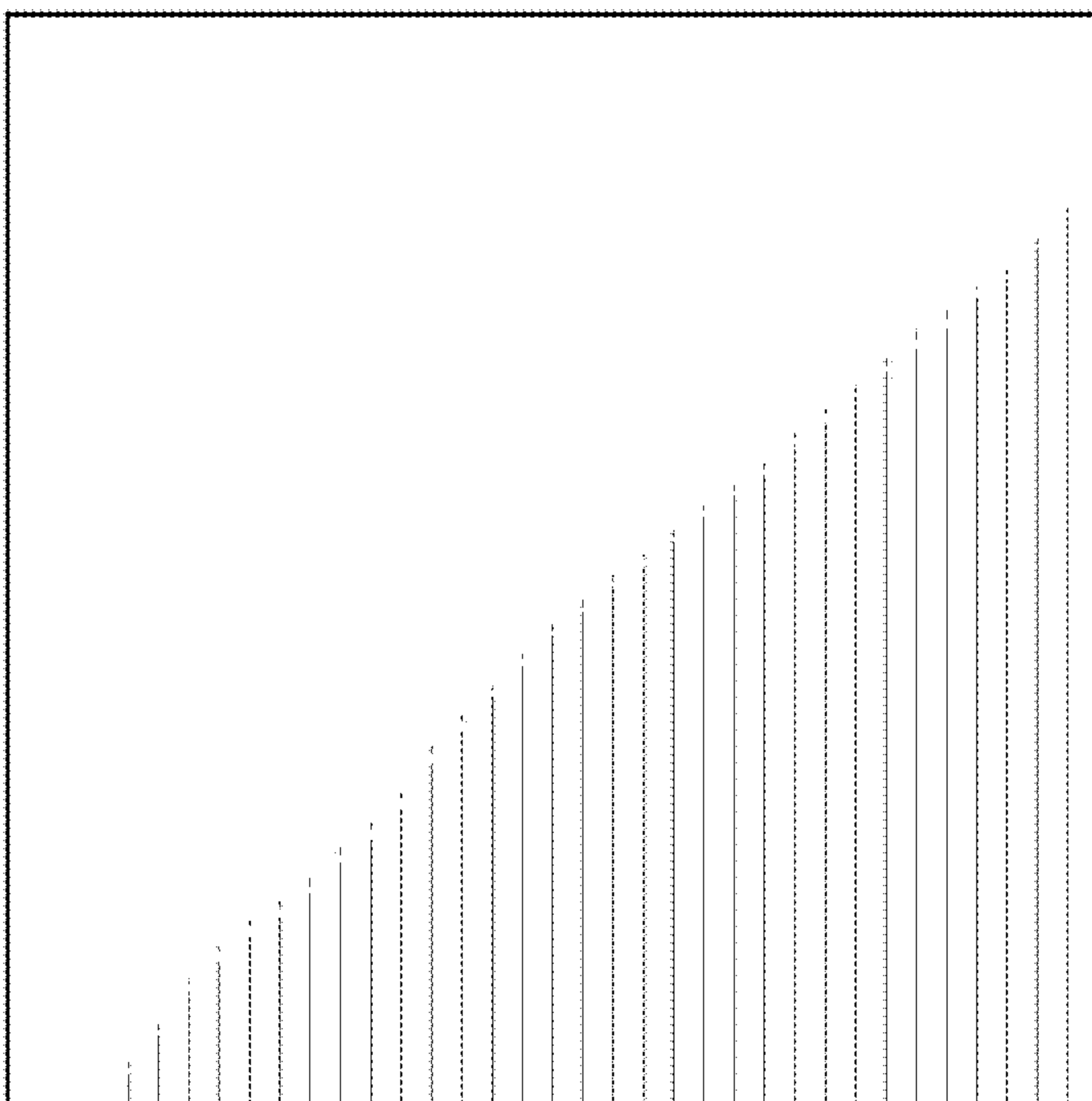


FIG. 5

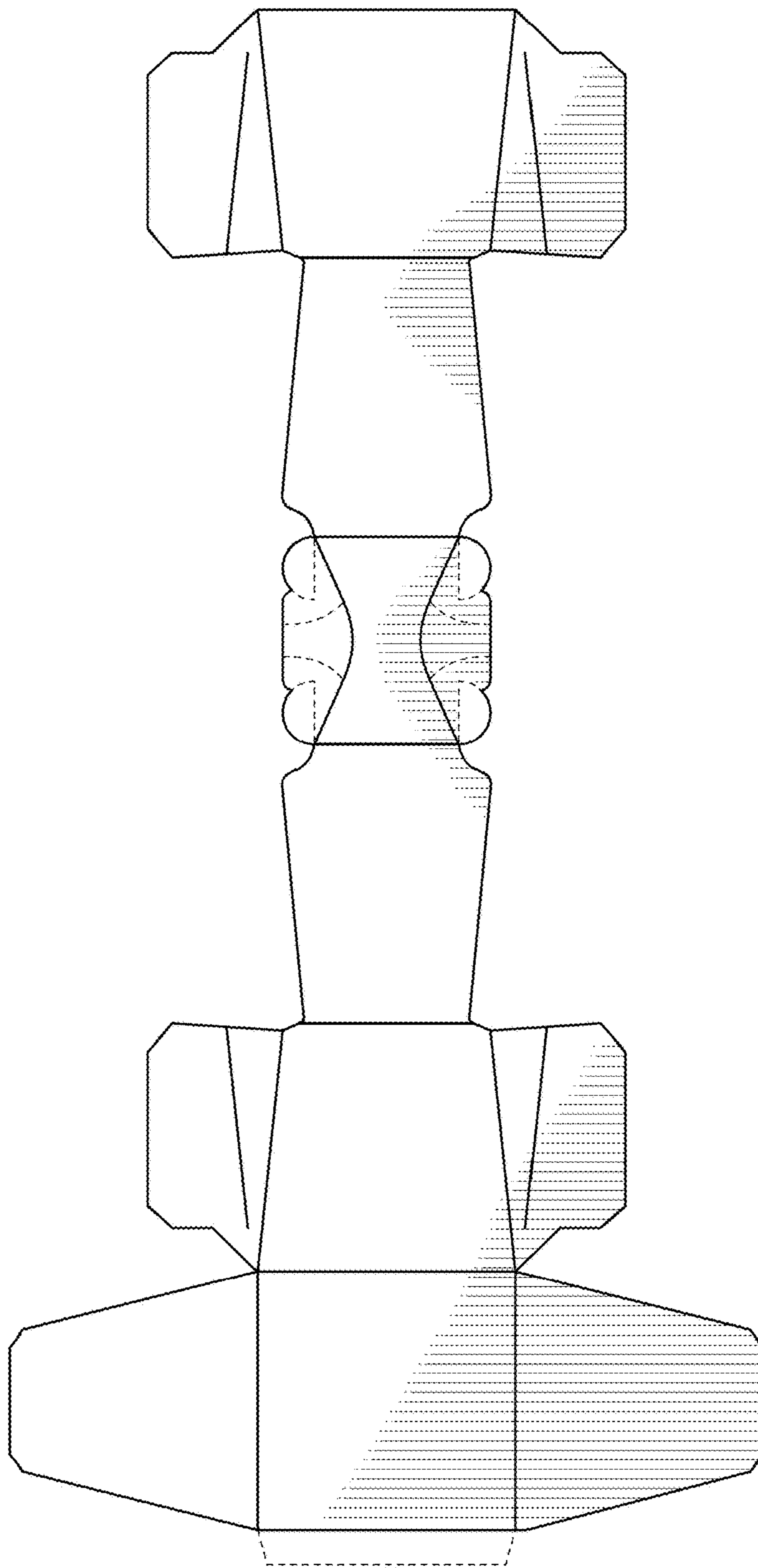


FIG. 6