



US00D854411S

(12) **United States Design Patent** (10) **Patent No.:** **US D854,411 S**  
**Temple, Jr. et al.** (45) **Date of Patent:** **\*\* Jul. 23, 2019**

(54) **BEVERAGE POD**

(71) Applicant: **Spartech LLC**, St. Louis, MO (US)

(72) Inventors: **Loren F. Temple, Jr.**, Muncie, IN (US);  
**Paul N. Hamon**, Fishers, IN (US)

(73) Assignee: **Spartech LLC**, St. Louis, MO (US)

(\*\*) Term: **15 Years**

(21) Appl. No.: **29/599,591**

(22) Filed: **Apr. 5, 2017**

(51) **LOC (11) Cl.** ..... **09-03**

(52) **U.S. Cl.**  
USPC ..... **D9/428; D9/516**

(58) **Field of Classification Search**  
USPC ..... D7/400, 538–542, 602, 608, 629;  
D9/414, 420, 424–426, 428, 429, 432,  
D9/500, 761; 206/501–509; 220/781,  
220/791, 793, 811–813, 835, 839  
CPC ..... B65D 1/24; B65D 25/04; B65D 43/03;  
B65D 43/16; B65D 43/0212  
See application file for complete search history.

(56) **References Cited**

**U.S. PATENT DOCUMENTS**

4,728,425	A *	3/1988	Sandvig	.....	A47J 31/06 210/477
D389,403	S *	1/1998	Rahr	.....	D9/428
D474,110	S *	5/2003	Sweeney	.....	D9/425
D589,737	S *	4/2009	Wang	.....	D6/632
D698,649	S *	2/2014	Quint	.....	D7/400

D766,078	S *	9/2016	Hansen	.....	D9/416
2010/0064899	A1 *	3/2010	Aardenburg	.....	A47J 31/3633 99/295
2012/0171332	A1 *	7/2012	Lai	.....	A47J 31/42 426/78
2013/0251861	A1 *	9/2013	Scapuccin	.....	B65D 85/8043 426/115
2015/0099042	A1 *	4/2015	Koenig	.....	B65D 85/8043 426/115
2016/0362246	A1 *	12/2016	Garcin	.....	A47J 31/0673

\* cited by examiner

*Primary Examiner* — Derrick E Holland  
*Assistant Examiner* — Janice Patyk  
(74) *Attorney, Agent, or Firm* — Armstrong Teasdale LLP

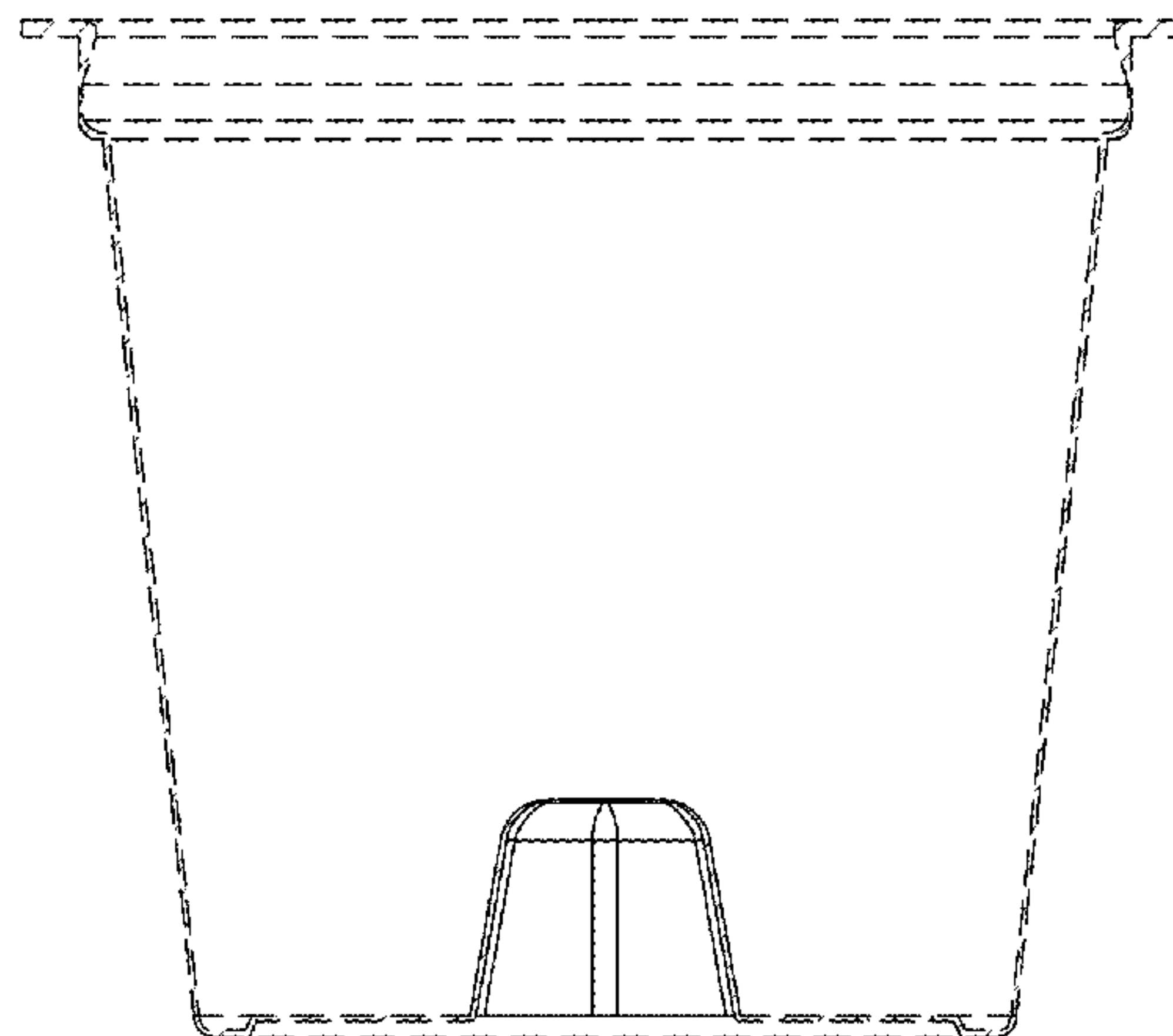
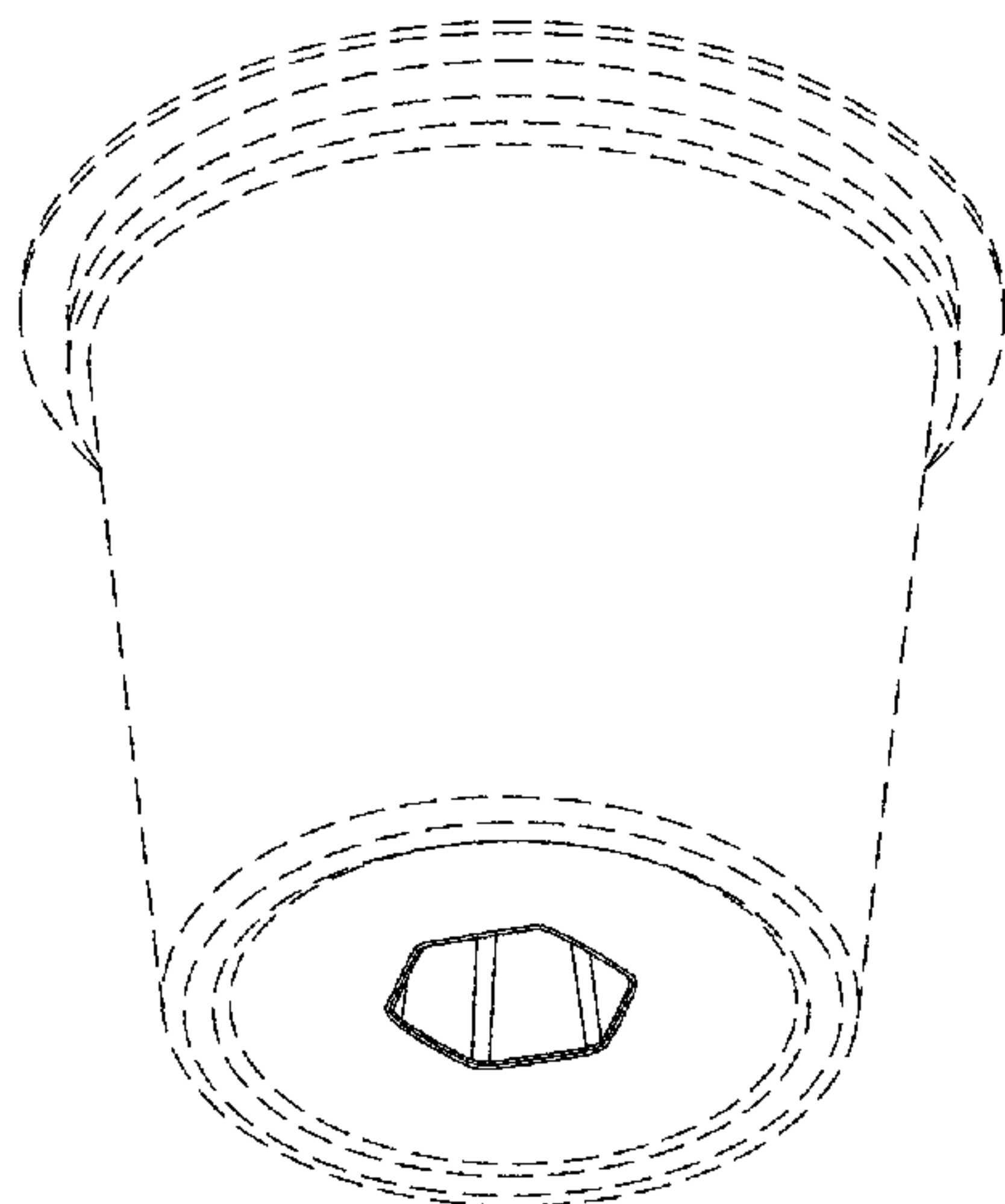
(57) **CLAIM**

The ornamental design for a beverage pod, as shown and described.

**DESCRIPTION**

FIG. 1 is a bottom perspective view of a beverage pod showing our new design;  
FIG. 2 is a side view thereof;  
FIG. 3 is a top perspective view thereof;  
FIG. 4 is a top view thereof;  
FIG. 5 is a bottom view thereof; and,  
FIG. 6 is a cross-section view thereof, taken along line 6-6 of FIG. 5.  
The broken lines in the drawings show portions of the beverage pod that form no part of the claimed design.

**1 Claim, 6 Drawing Sheets**



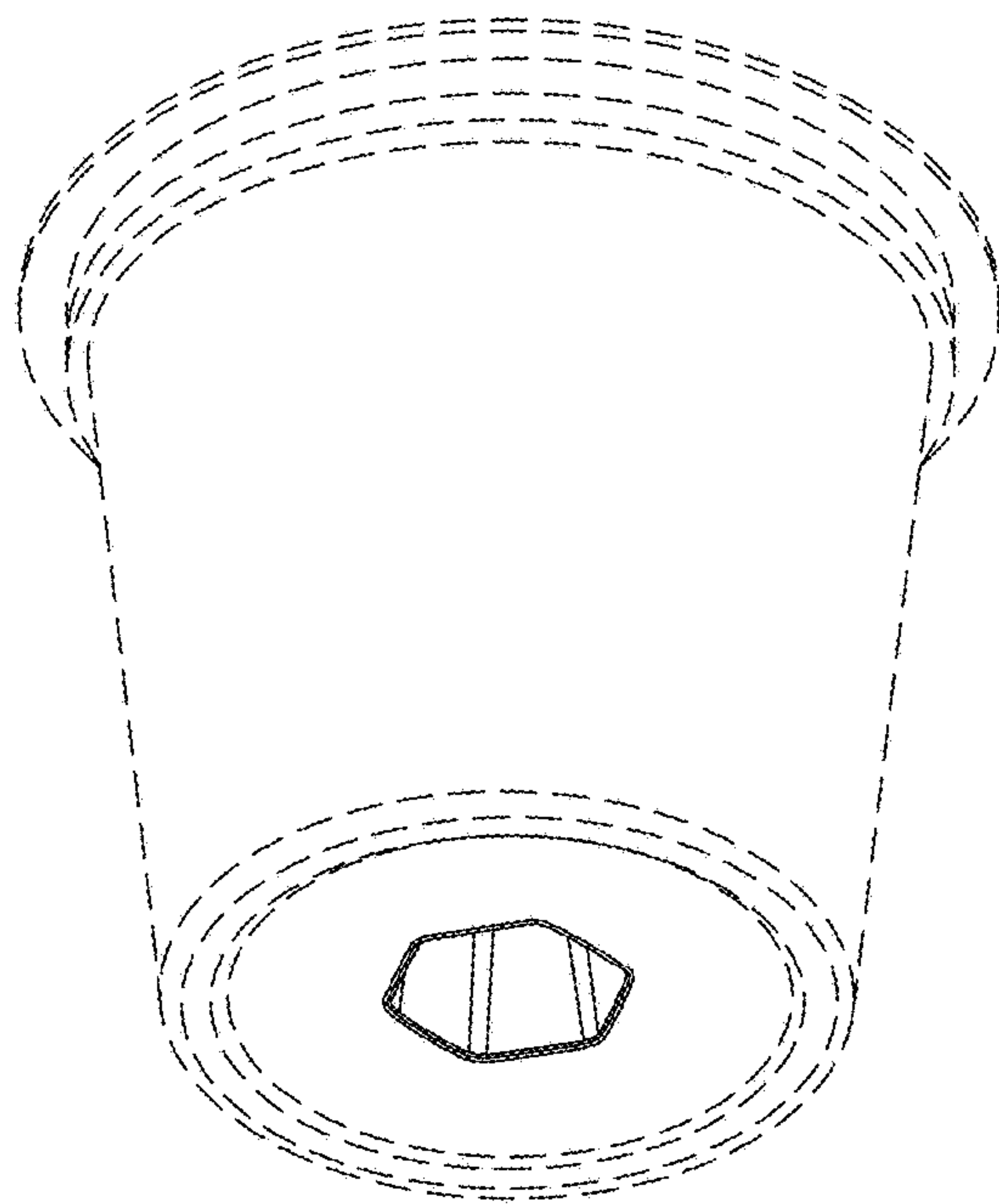


FIG. 1

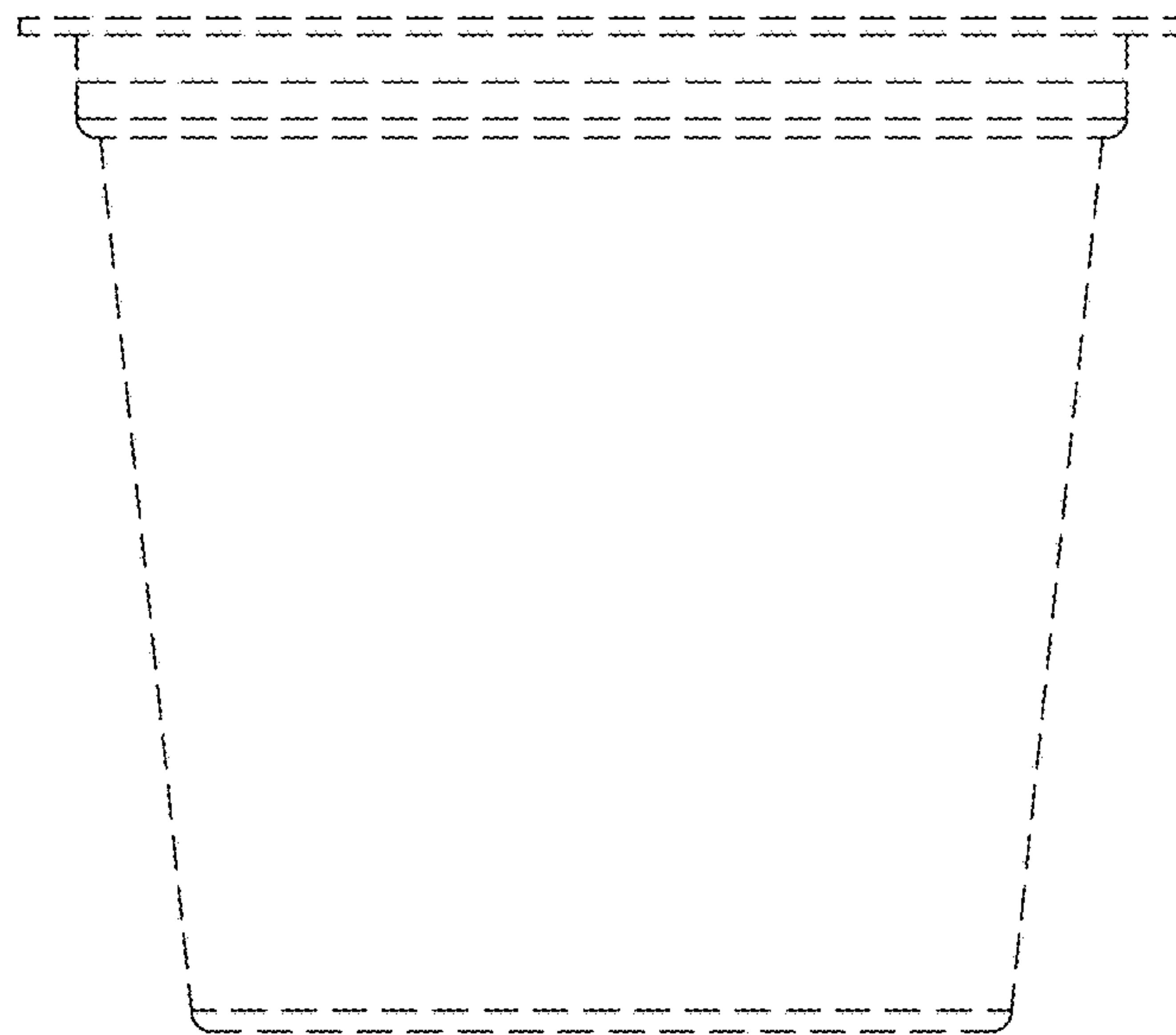


FIG. 2

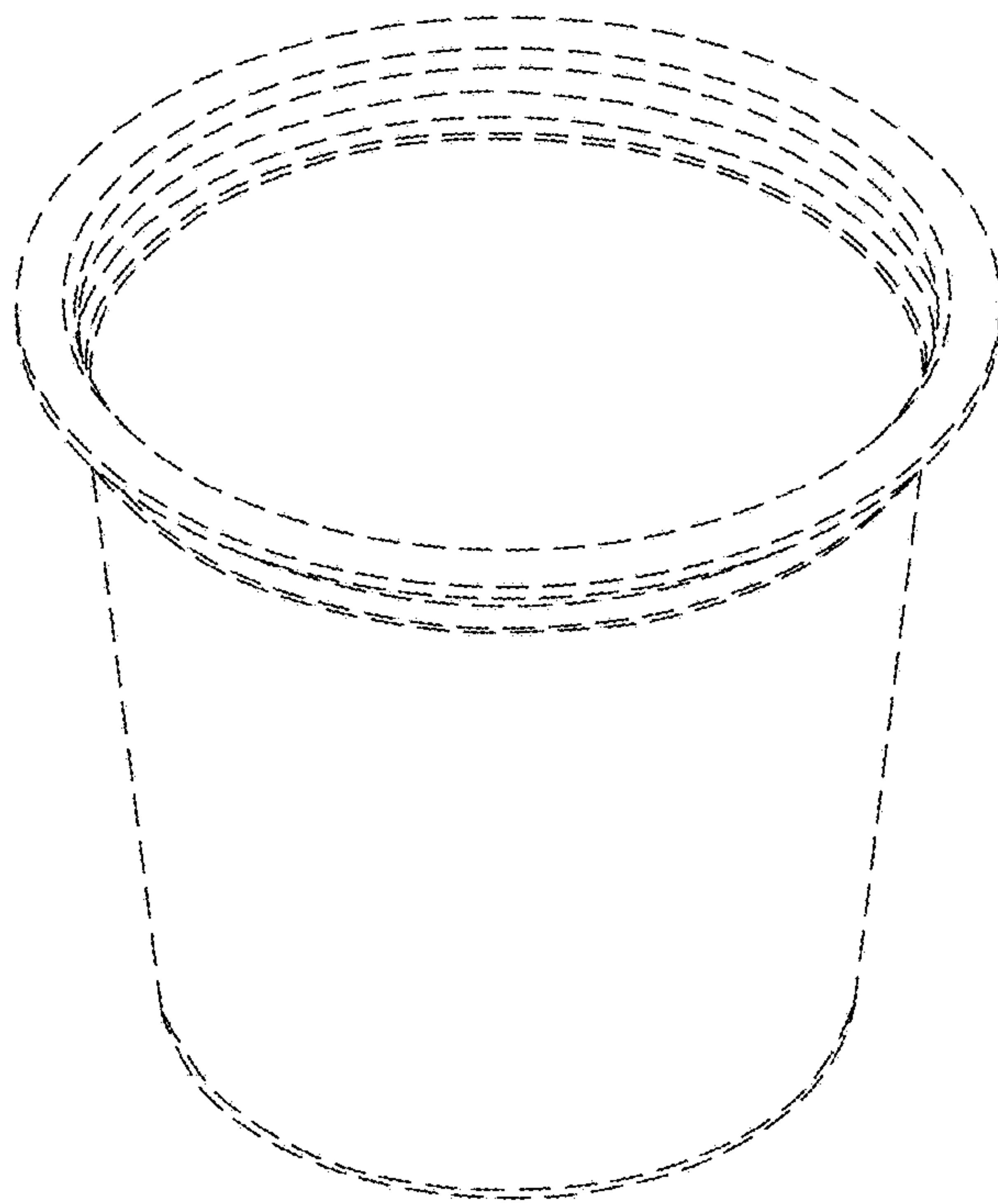


FIG. 3

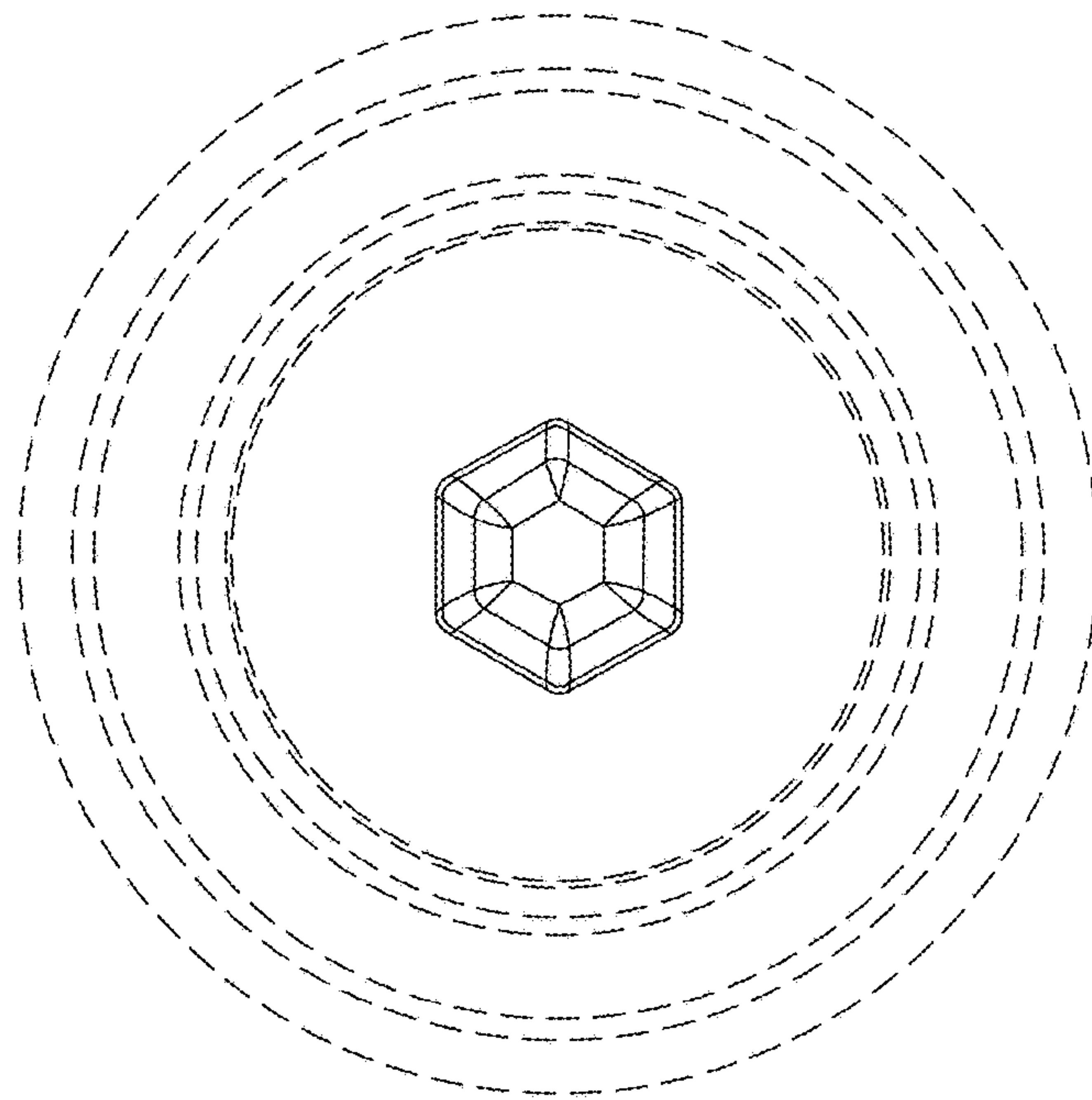


FIG. 4

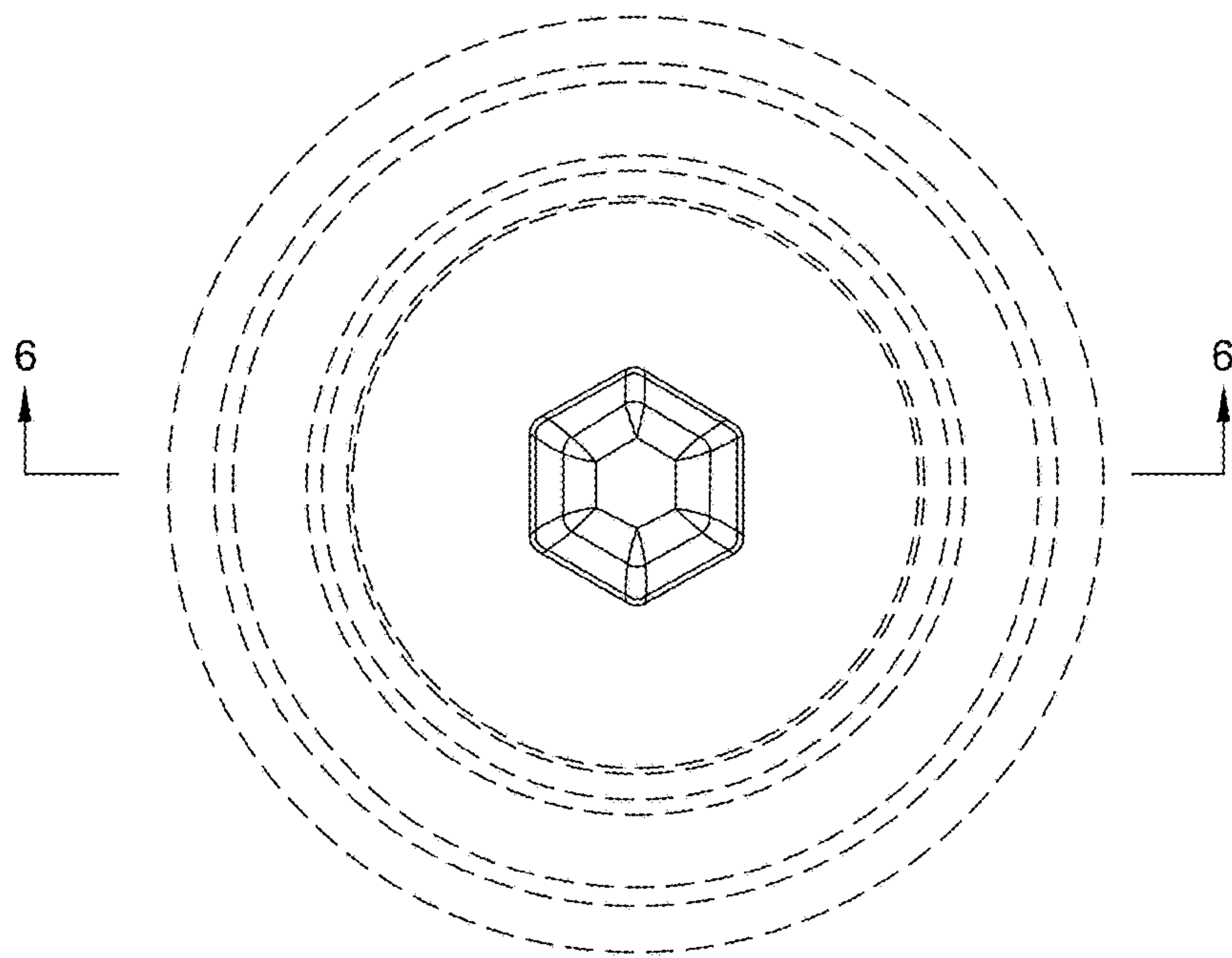


FIG. 5

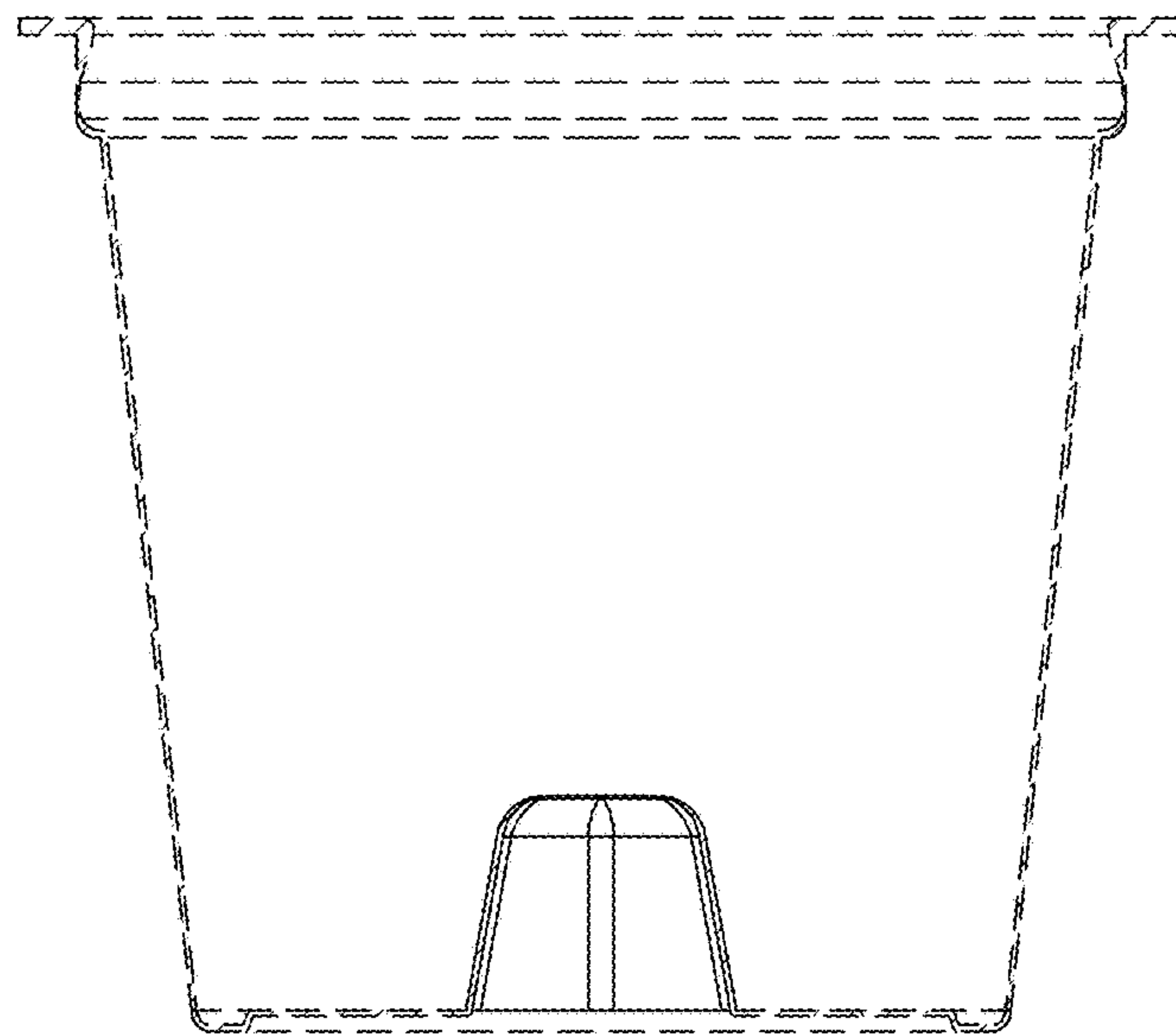


FIG. 6