



US00D854410S

(12) **United States Design Patent**  
**Hoshikawa**

(10) **Patent No.:** **US D854,410 S**

(45) **Date of Patent:** **\*\* Jul. 23, 2019**

(54) **STORAGE BOX**

(71) Applicant: **Trinity, Inc.**, Saitama (JP)

(72) Inventor: **Tetsushi Hoshikawa**, Saitama (JP)

(73) Assignee: **Trinity, Inc.**, Saitama (JP)

(\*\*) Term: **15 Years**

(21) Appl. No.: **29/619,874**

(22) Filed: **Oct. 3, 2017**

(30) **Foreign Application Priority Data**

Sep. 19, 2017 (JP) ..... 2017-020389

(51) **LOC (11) Cl.** ..... **09-03**

(52) **U.S. Cl.**  
USPC ..... **D9/423**; D9/432

(58) **Field of Classification Search**  
USPC ..... D9/414-423, 430-432, 433, 434, 456,  
D9/457, 711, 713, 721-722  
CPC ... B65D 5/00; B65D 5/02; B65D 5/18; B65D  
5/20  
See application file for complete search history.

(56) **References Cited**

**U.S. PATENT DOCUMENTS**

- 2,353,298 A \* 7/1944 Dorfman ..... B65D 5/3621  
229/117
- D233,654 S \* 11/1974 Lawlor et al. .... D19/26
- 5,277,360 A \* 1/1994 DeMott ..... B65D 5/16  
229/122
- D431,775 S \* 10/2000 Plattner ..... D9/415
- D461,125 S \* 8/2002 Decello ..... D9/432
- D580,263 S \* 11/2008 Yi Man ..... D9/432
- 7,533,774 B2 \* 5/2009 Zimmerman ..... A45C 11/24  
206/387.14
- D669,352 S \* 10/2012 Paslawski ..... D9/423
- D754,408 S \* 4/2016 Garrett ..... D32/35
- D755,641 S \* 5/2016 O'Neill ..... B65D 5/5088  
D9/721

- 10,034,525 B2 \* 7/2018 Morelli Carullo ..... B65D 5/327
- 2013/0161377 A1 \* 6/2013 Nebeker ..... B65D 5/322  
229/116.5
- 2013/0161378 A1 \* 6/2013 Nebeker ..... B65D 31/16  
229/116.5

(Continued)

**OTHER PUBLICATIONS**

NuAns Worklife Series—Entry—iF World Design Guide. [online]  
Published Jul. 7, 2017. Retrieved Aug. 22, 2018 from URL:  
[https://ifworlddesignguide.com/entry/224712-nuans-worklife-series.\\*](https://ifworlddesignguide.com/entry/224712-nuans-worklife-series.*)

(Continued)

*Primary Examiner* — Vy N Koenig  
(74) *Attorney, Agent, or Firm* — JCIPRNET

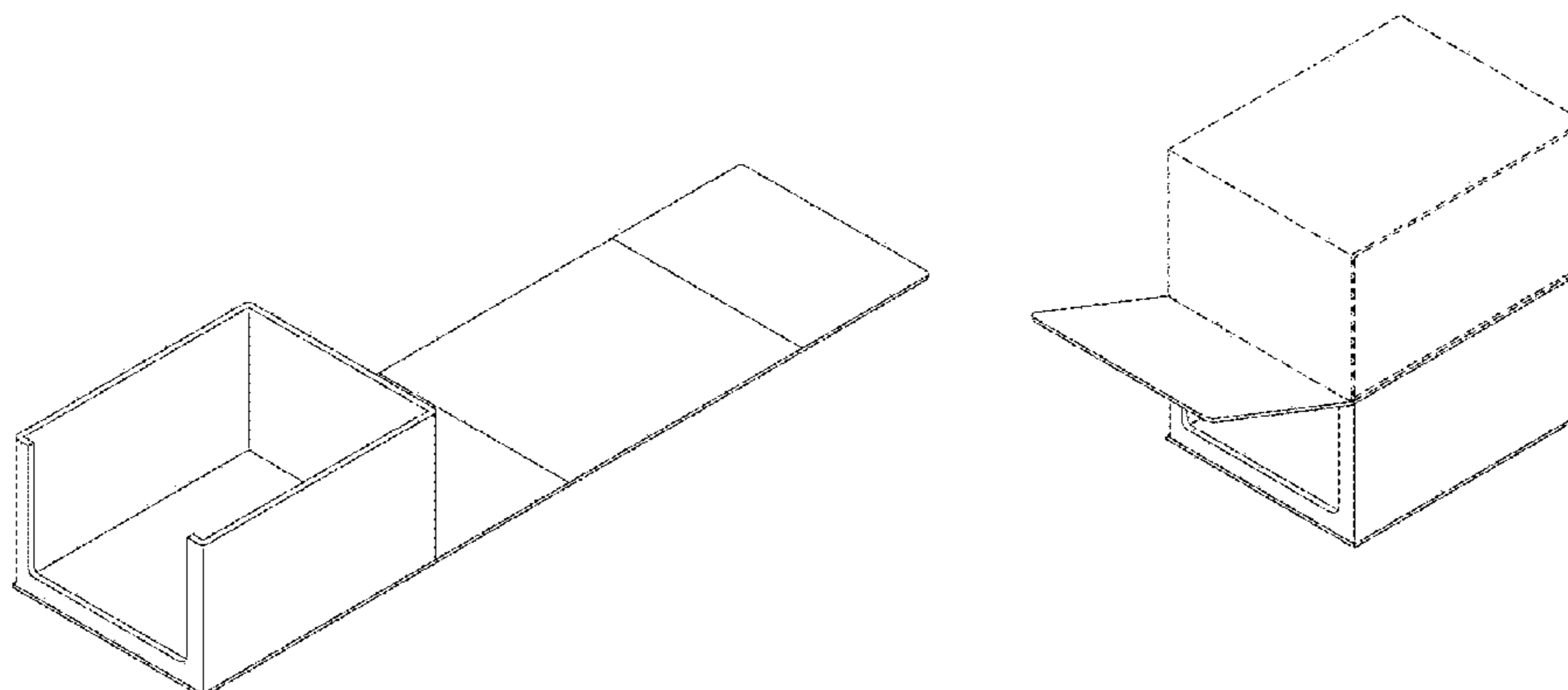
(57) **CLAIM**

The ornamental design for a storage box, as shown and described.

**DESCRIPTION**

FIG. 1 is a perspective view of a storage box showing my new design;  
FIG. 2 is a front view thereof;  
FIG. 3 is a rear view thereof;  
FIG. 4 is a left side view thereof;  
FIG. 5 is a right side view thereof;  
FIG. 6 is a top view thereof;  
FIG. 7 is a bottom view thereof;  
FIG. 8 is another right side view thereof with the cover opened;  
FIG. 9 is another perspective view thereof with the cover opened; and,  
FIG. 10 is another perspective view thereof shown in use.  
The broken line subject matters in FIG. 10 are included for the purpose of illustrating unclaimed environment and form no part of the claimed design.

**1 Claim, 8 Drawing Sheets**



(56)

**References Cited**

U.S. PATENT DOCUMENTS

2014/0166736 A1\* 6/2014 Kato ..... B65D 5/646  
229/121

OTHER PUBLICATIONS

Custom Printed Flip Top Gift Box. [online] Retrieved Aug. 22, 2018  
from URL: [https://www.alibaba.com/product-detail/custom-printed-flip-top-gift-box\\_60059962322.html](https://www.alibaba.com/product-detail/custom-printed-flip-top-gift-box_60059962322.html).\*

\* cited by examiner

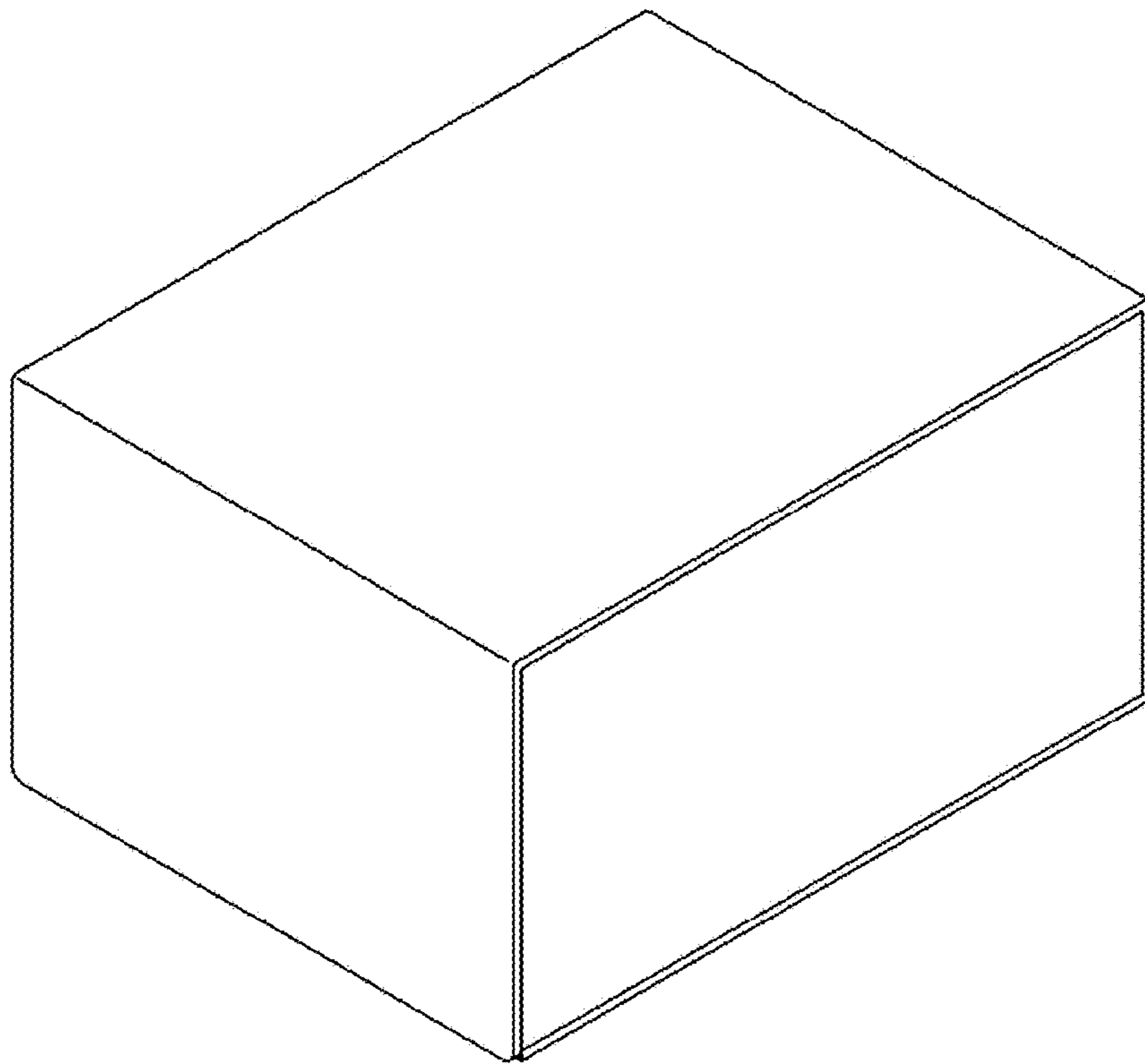


FIG. 1

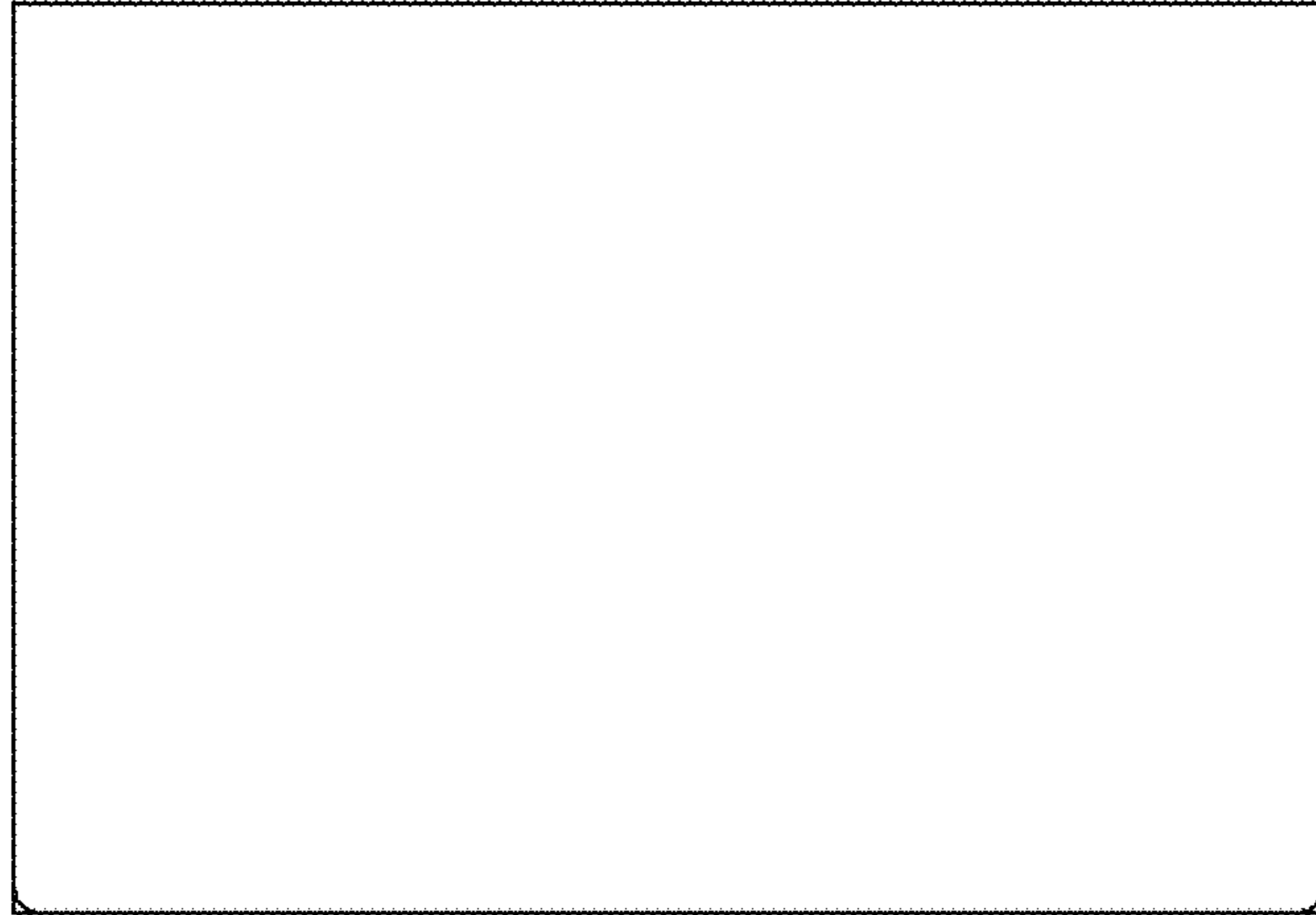


FIG. 2

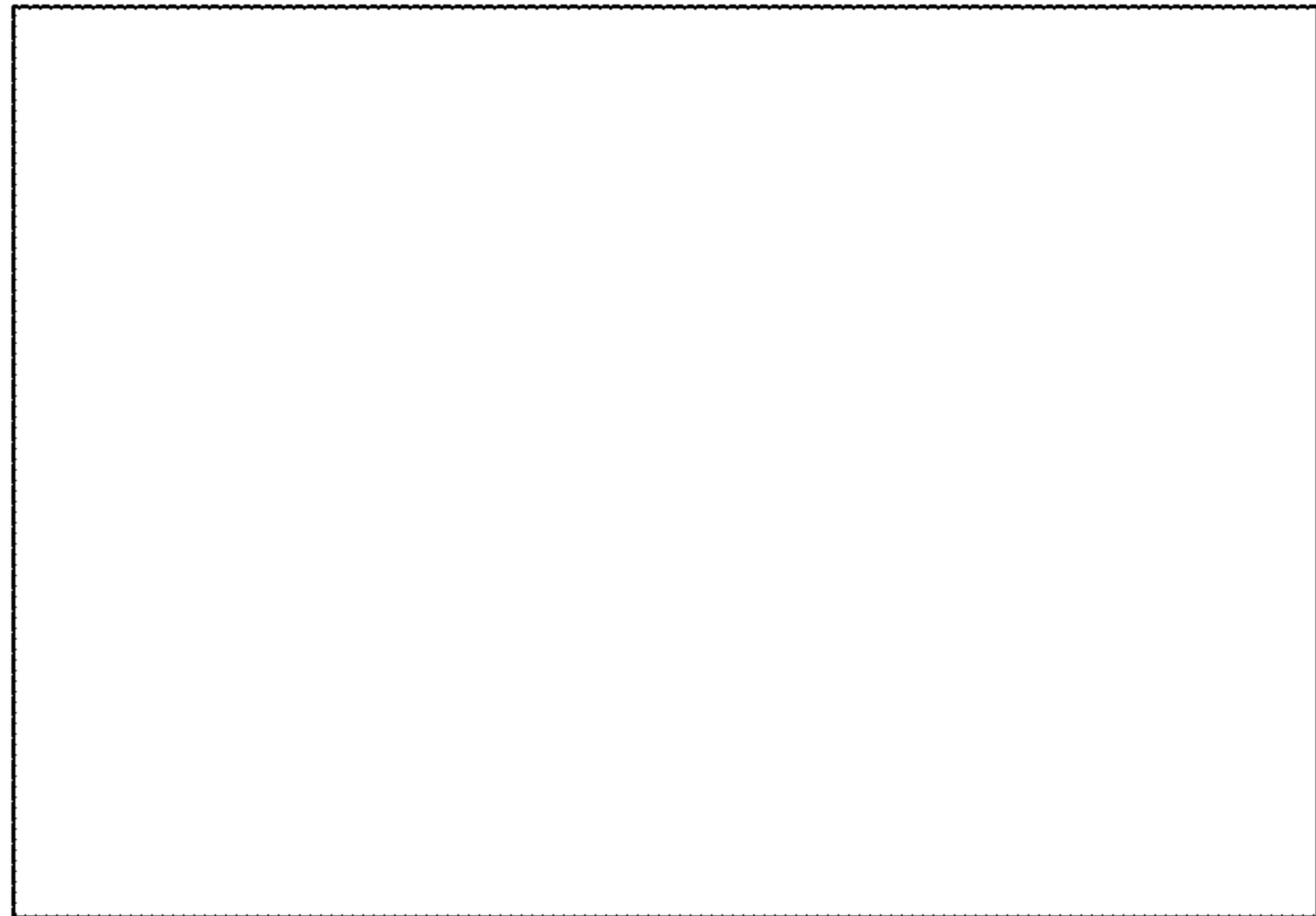


FIG. 3

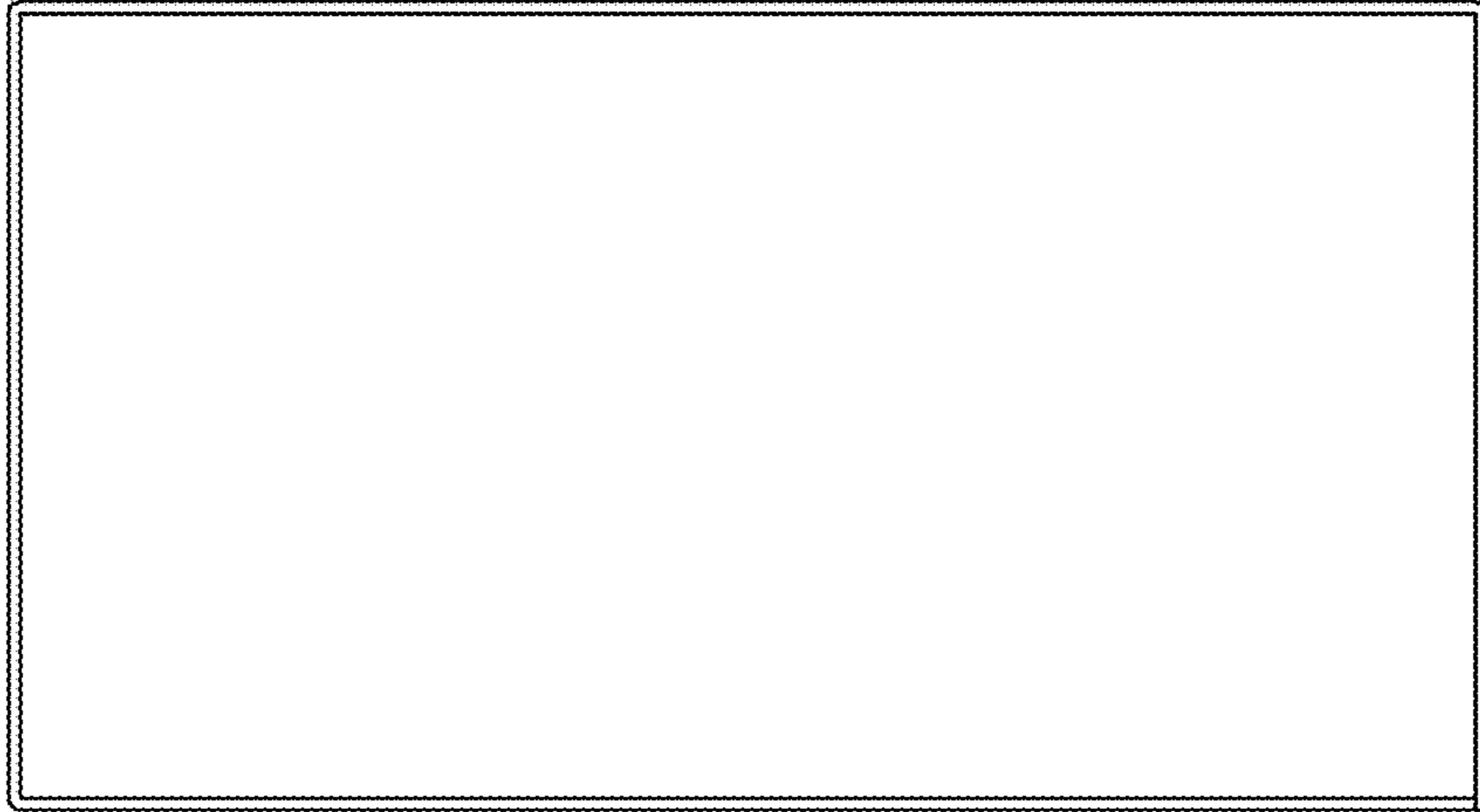


FIG. 4

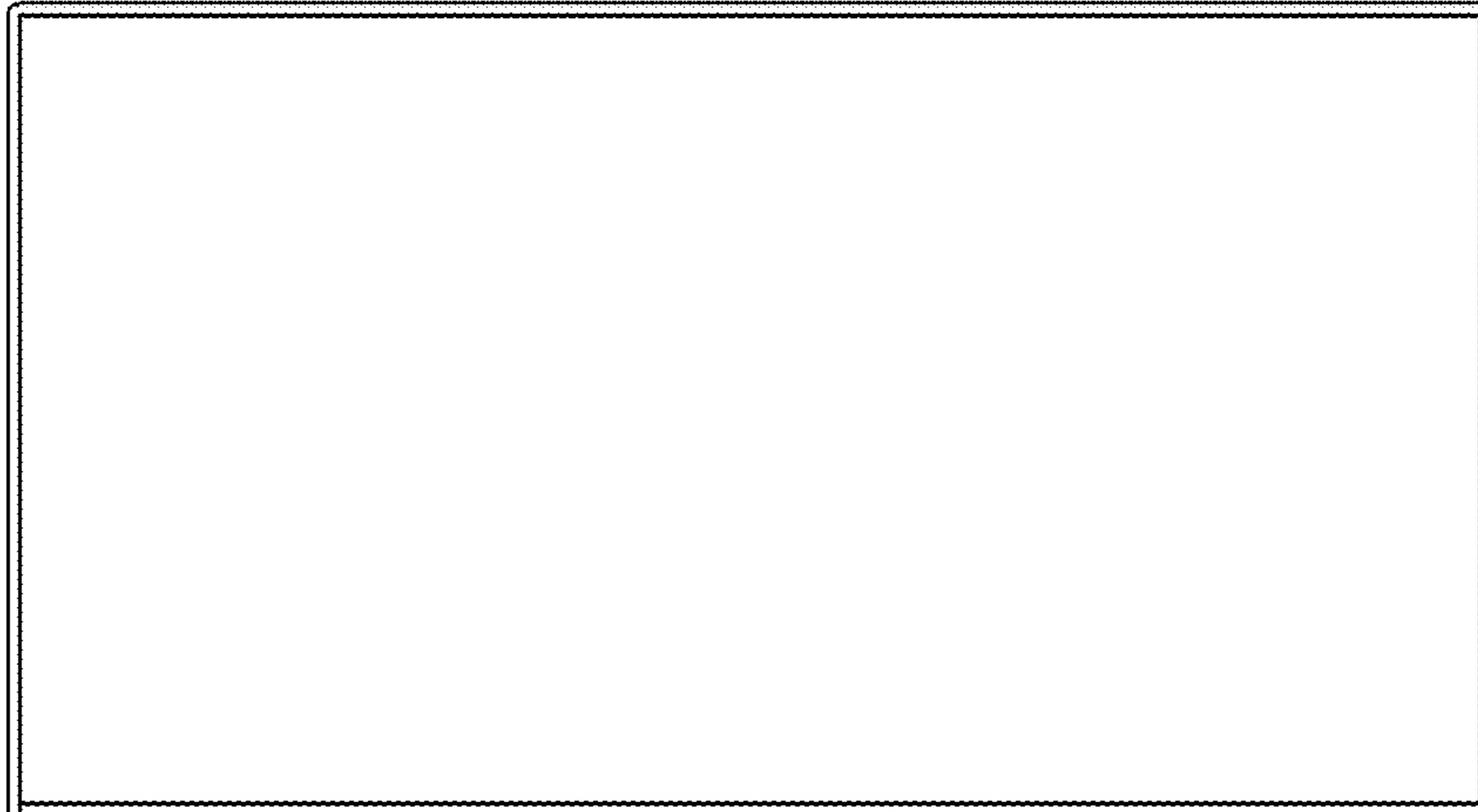


FIG. 5

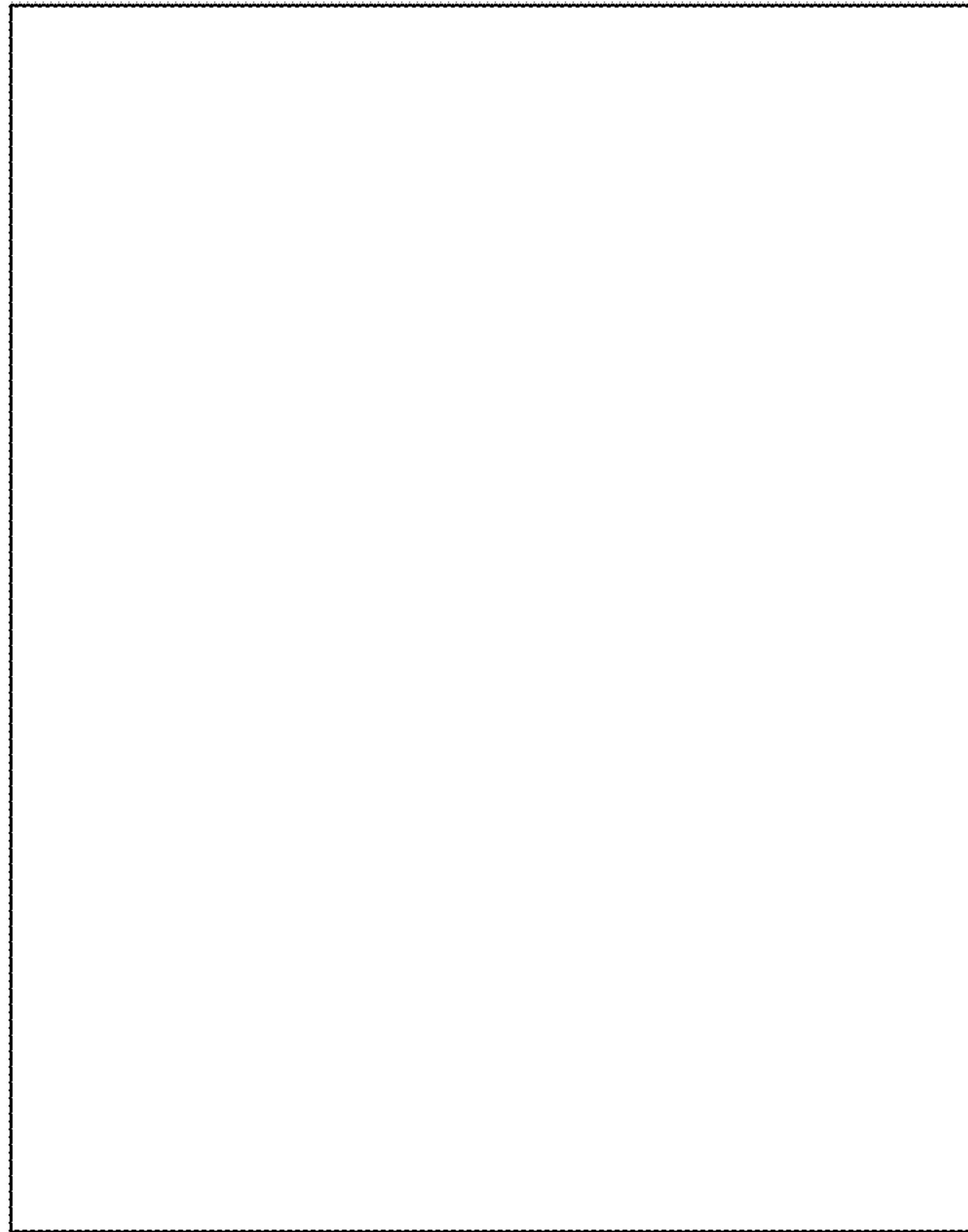


FIG. 6

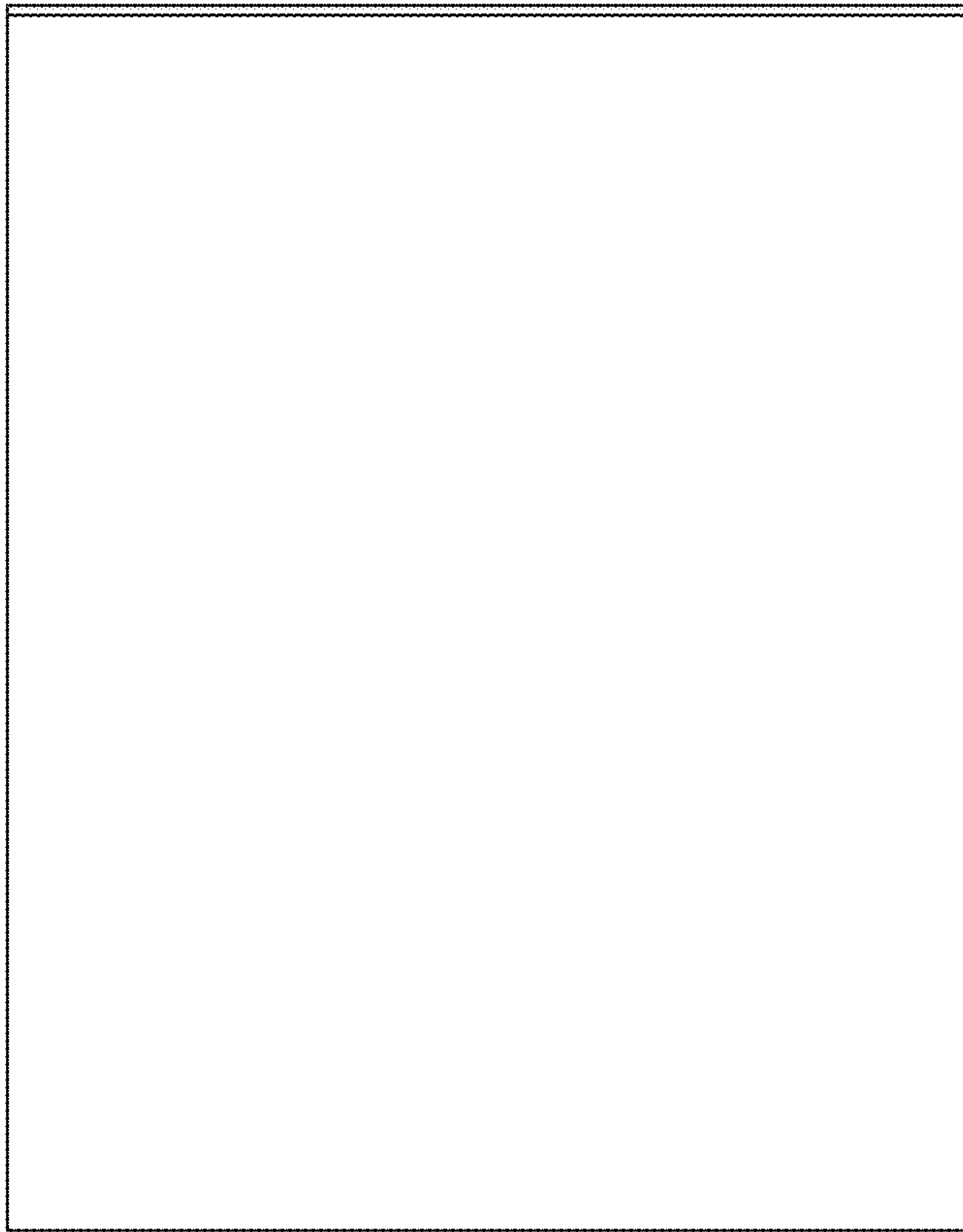


FIG. 7



FIG. 8



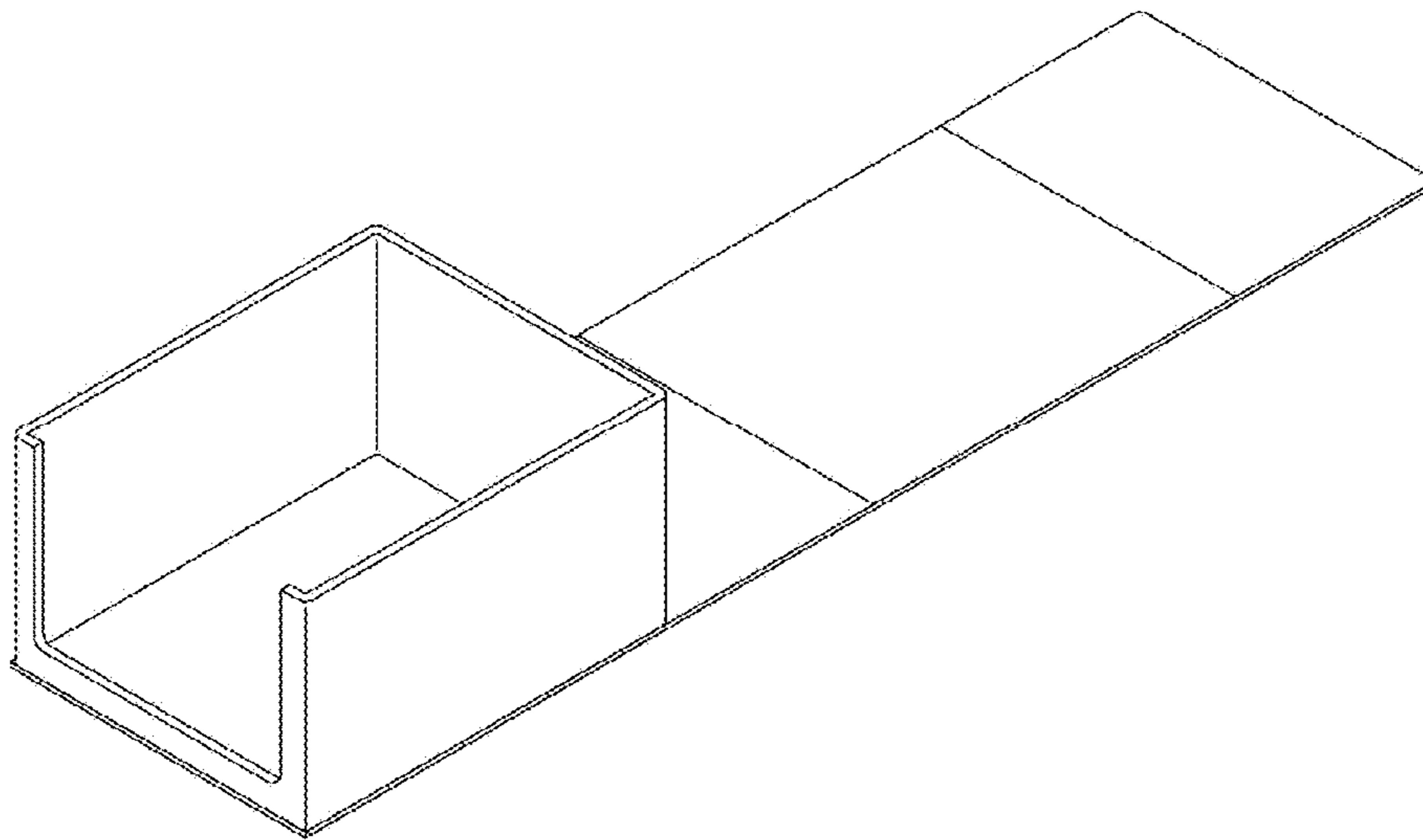


FIG. 9

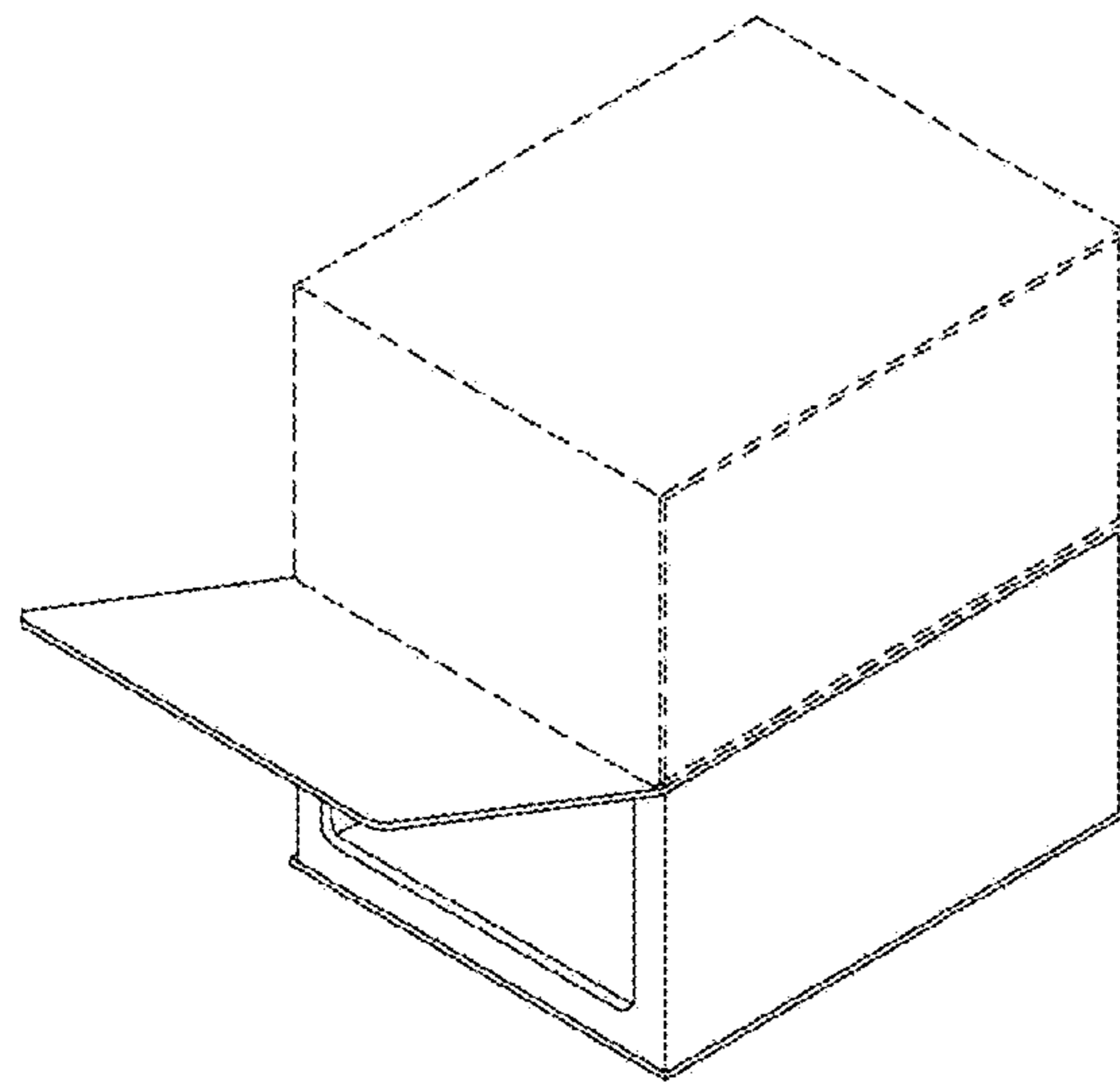


FIG. 10