



US00D854409S

(12) **United States Design Patent** (10) **Patent No.:** **US D854,409 S**
Parker (45) **Date of Patent:** **** Jul. 23, 2019**

(54) **BOTTLE PACK**
(71) Applicant: **Duff Design Limited**, London (GB)
(72) Inventor: **Alexander Parker**, London (GB)
(73) Assignee: **DUFF DESIGN LIMITED**, London (GB)
(**) Term: **15 Years**
(21) Appl. No.: **29/638,425**
(22) Filed: **Feb. 27, 2018**
(51) **LOC (11) Cl.** **09-03**
(52) **U.S. Cl.**
USPC **D9/420**
(58) **Field of Classification Search**
USPC D9/414, 415, 416, 418, 420, 423, 425,
D9/432, 433, 438, 751, 759; D7/590,
D7/601, 609, 610, 612; D27/186;
206/543, 549, 66
CPC . B65D 1/00; B65D 1/22; B65D 1/225; B65D
5/00; B65D 5/16; B65D 5/66; B65D
5/665; B65D 5/4204; B65D 5/6605;
B65D 2571/00543; B65D 2571/00549;
B65D 2571/0066; B65D 43/162; B65D
81/02; B65D 81/3813; B65D 81/3848;
A47F 7/03; A47F 7/145
See application file for complete search history.

D549,093 S * 8/2007 Weakland D9/420
D561,989 S * 2/2008 Jones D3/201
D606,394 S * 12/2009 Stewart D9/423
D606,859 S * 12/2009 Stewart D9/432
D730,886 S * 6/2015 Tseng D14/251
D764,272 S * 8/2016 Hoglund D9/420

(Continued)

Primary Examiner — Wan Laymon
Assistant Examiner — Clint A Samuel
(74) *Attorney, Agent, or Firm* — Carter, DeLuca & Farrell
LLP

(57) **CLAIM**

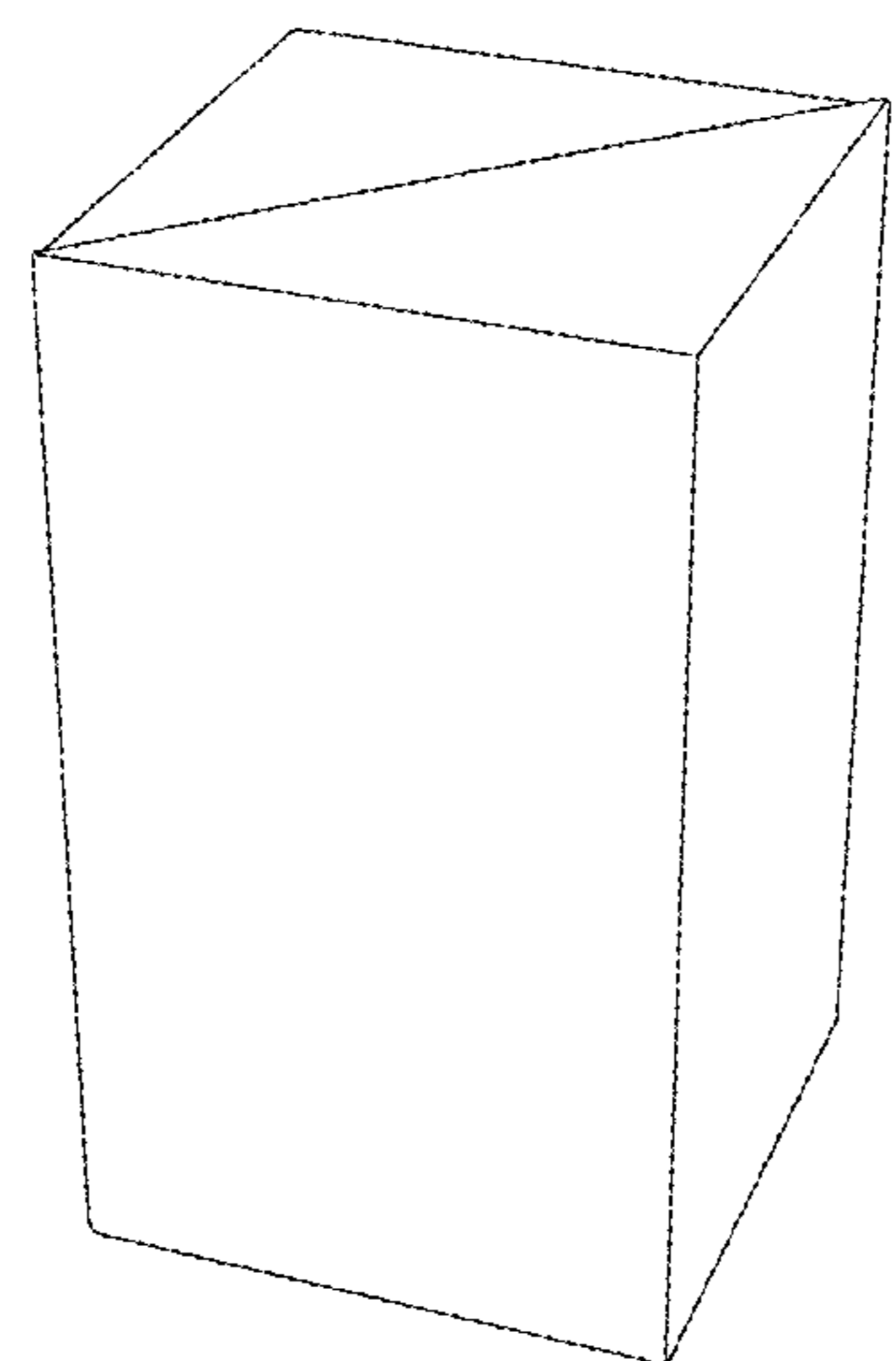
The ornamental design for a bottle pack, as shown and described.

DESCRIPTION

FIG. 1 is a front, right, top perspective view of a bottle pack, in accordance with the present design, illustrating the bottle pack in a closed condition;
FIG. 2 is a rear, left, bottom perspective view of the bottle pack, of FIG. 1, illustrating the bottle pack in the closed condition;
FIG. 3 is a front, right, top perspective view of the bottle pack of FIGS. 1 and 2, illustrating the bottle pack in a partially open condition;
FIG. 4 is a front, right, bottom perspective view of the bottle pack of FIGS. 1-3, illustrating the bottle pack in a partially open condition;
FIG. 5 is a rear, left, bottom perspective view of the bottle pack of FIGS. 1-4, illustrating the bottle pack in the partially open condition;
FIG. 6 is a front, left, bottom perspective view of the bottle pack of FIGS. 1-5, illustrating the bottle pack in a fully open condition; and,
FIG. 7 is a rear, left, bottom perspective view of the bottle pack of FIGS. 1-6, illustrating the bottle pack in the fully open condition.

(56) **References Cited**
U.S. PATENT DOCUMENTS
D219,955 S * 2/1971 Seaman 206/558
4,323,153 A * 4/1982 Courtin A47F 7/03
206/755
4,602,719 A * 7/1986 Borst B65D 43/162
220/260
D345,101 S * 3/1994 Abrams D9/423
D409,329 S * 5/1999 Bucher D27/186
6,715,632 B2 * 4/2004 Baker B65D 43/162
220/4.23

1 Claim, 7 Drawing Sheets



(56)

References Cited

U.S. PATENT DOCUMENTS

2016/0137339 A1* 5/2016 Molina-Muntanola
B65D 5/563
229/145

* cited by examiner

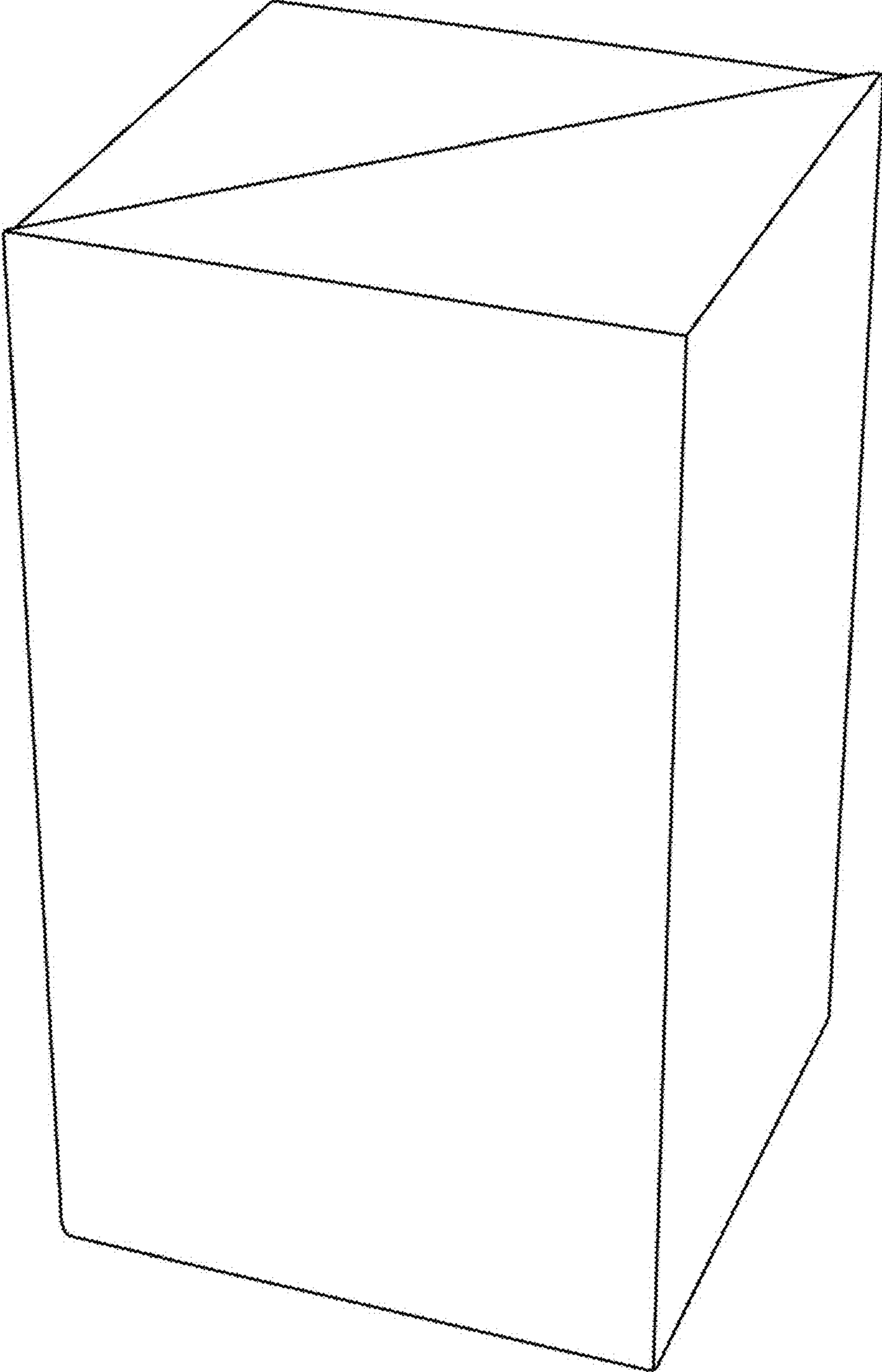


FIG. 1

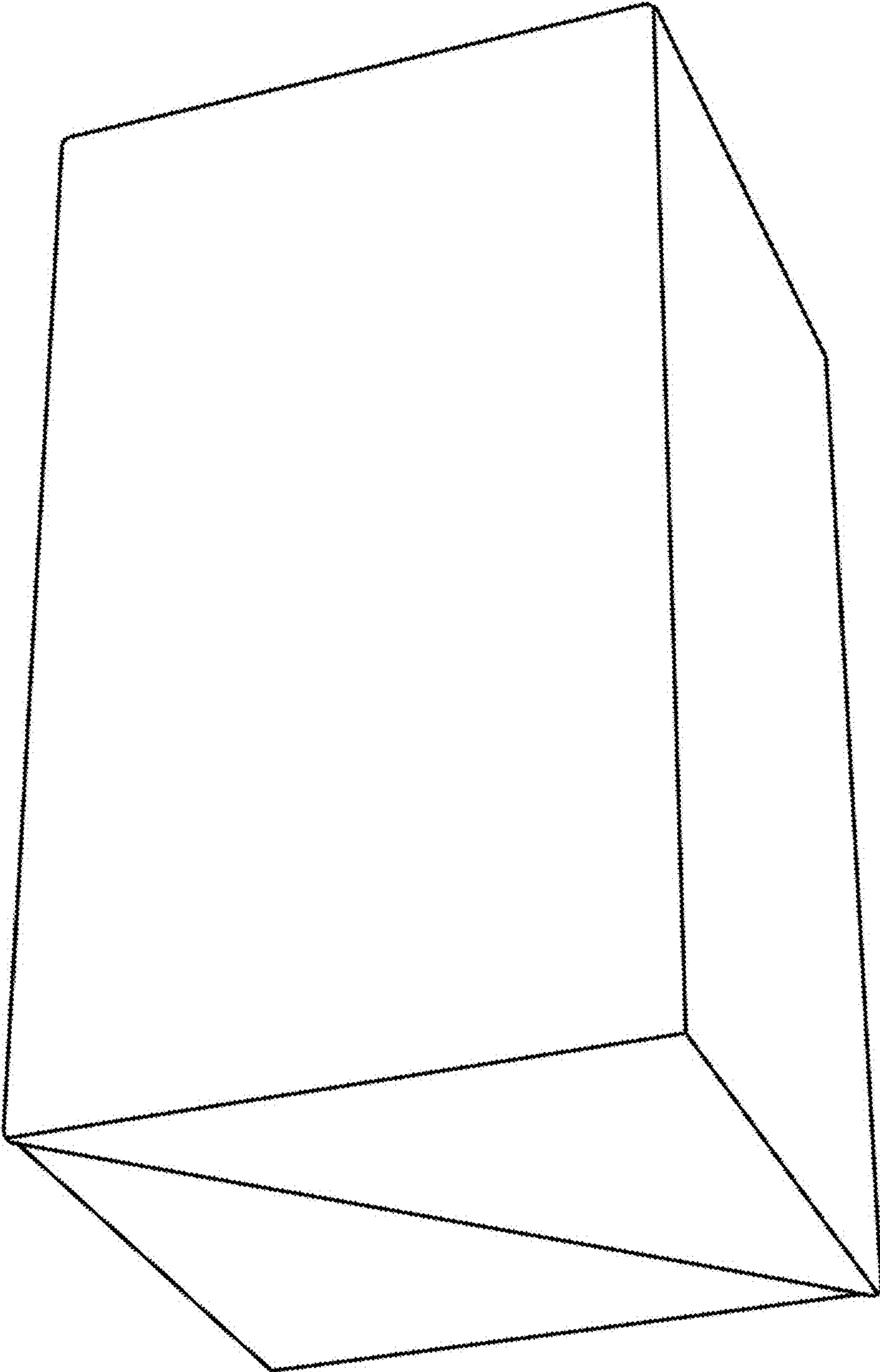


FIG. 2

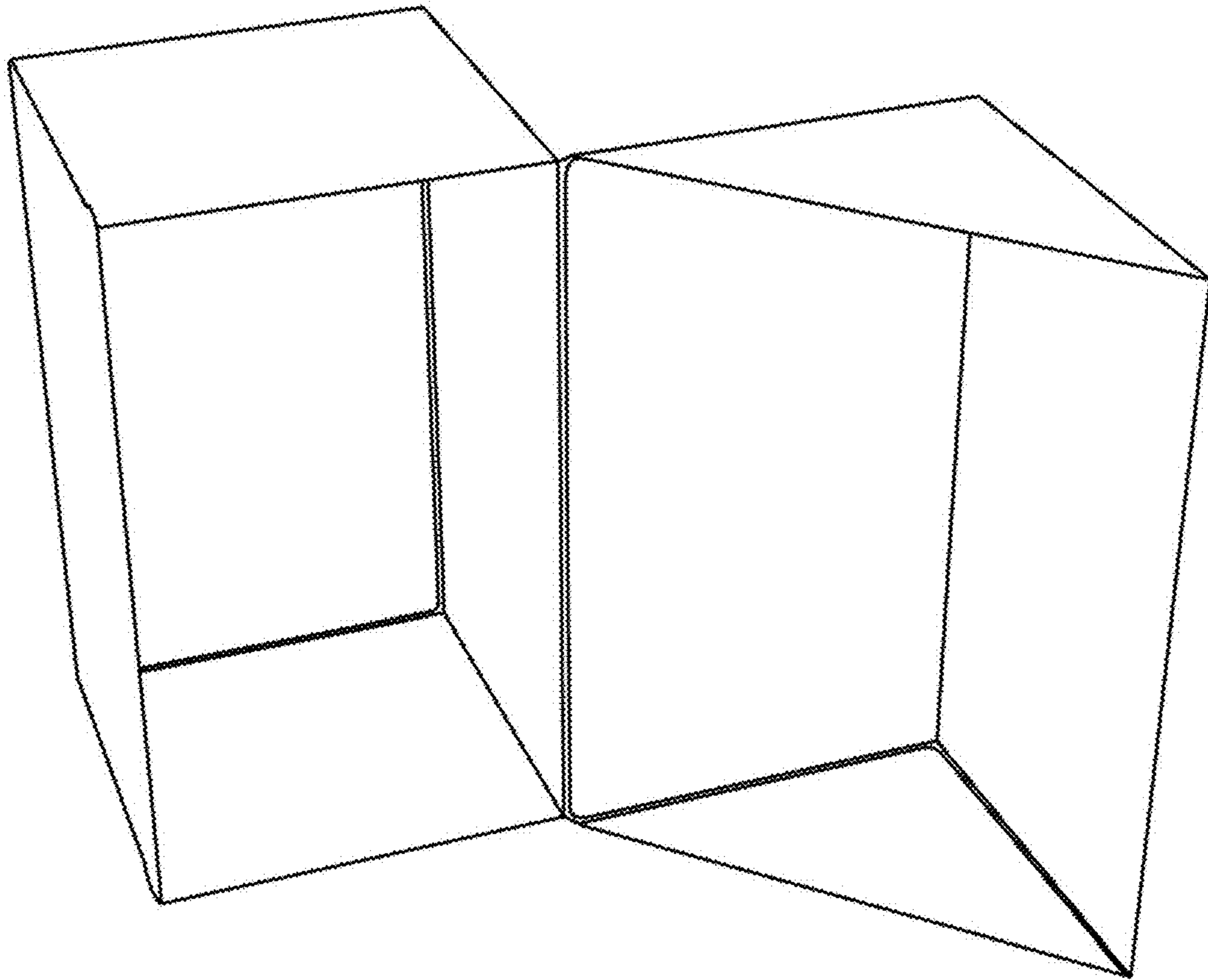


FIG. 3

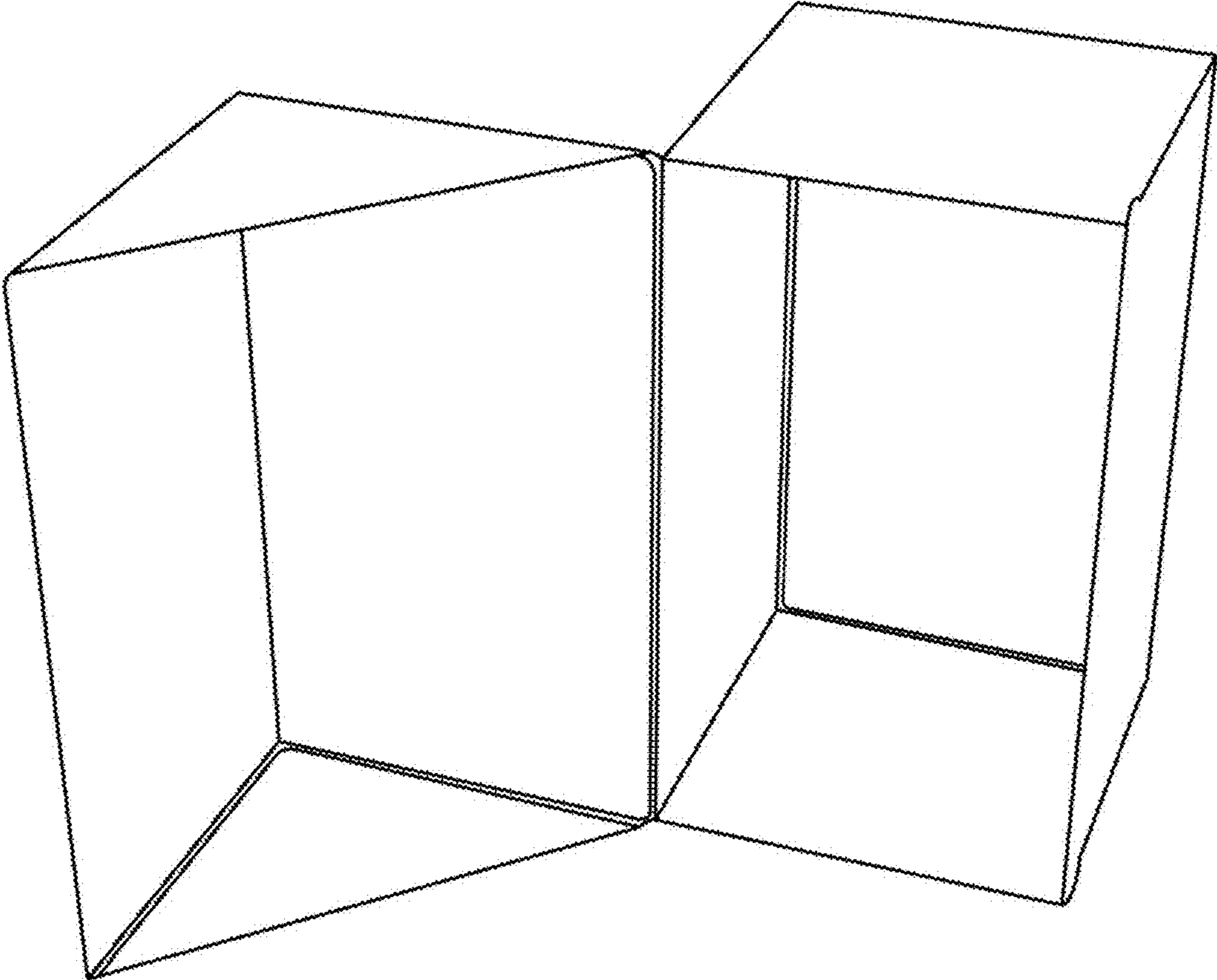


FIG. 4

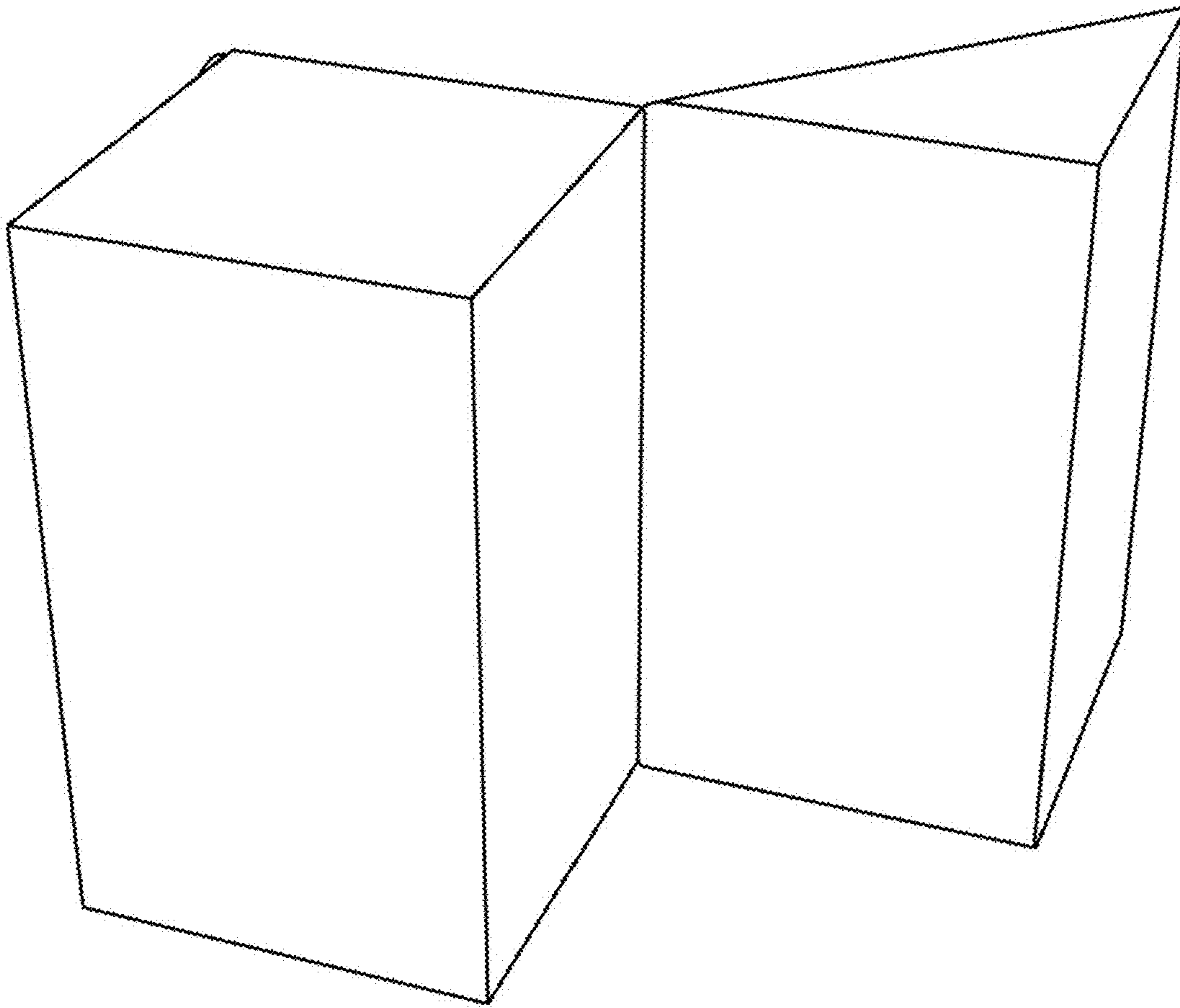


FIG. 5

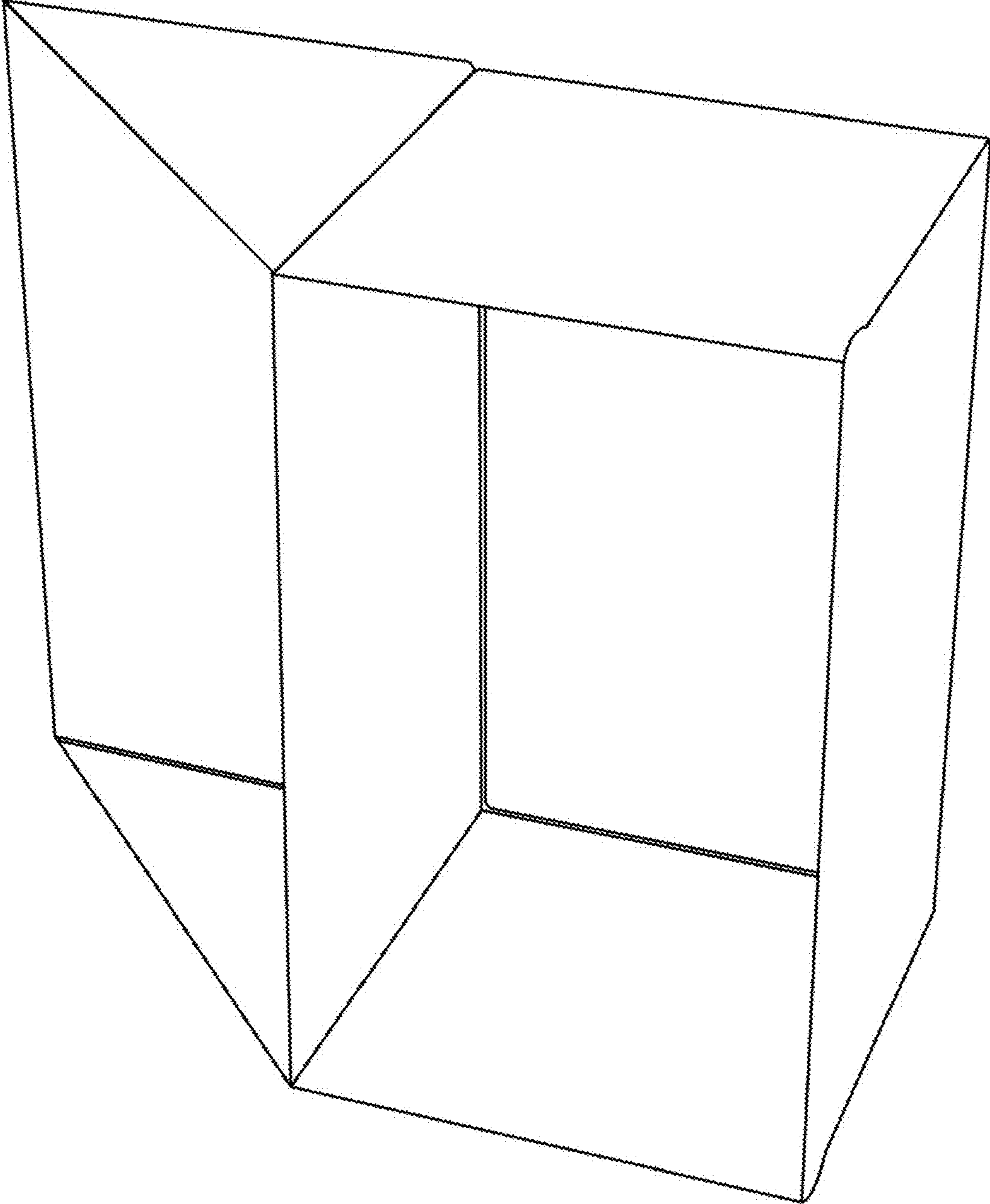


FIG. 6

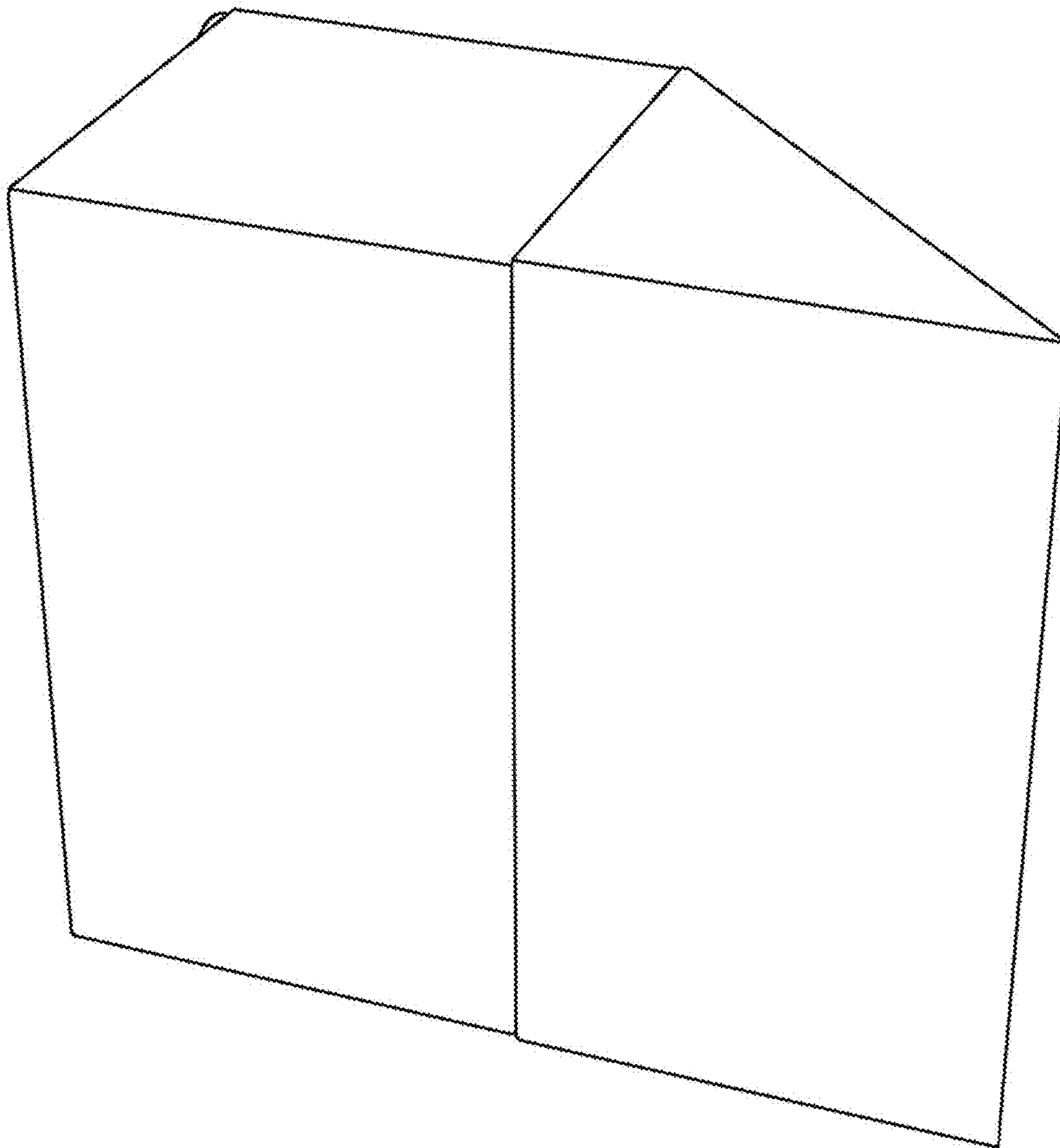


FIG. 7