



US00D854407S

(12) **United States Design Patent**
Sawada et al.

(10) **Patent No.:** **US D854,407 S**
(45) **Date of Patent:** **** Jul. 23, 2019**

- (54) **PACKAGING CONTAINER**
- (71) Applicant: **NIPRO CORPORATION**, Osaka-shi,
Osaka (JP)
- (72) Inventors: **Hidenori Sawada**, Osaka (JP); **Hiroshi Fuketa**, Osaka (JP)
- (73) Assignee: **NIPRO CORPORATION**, Osaka-Shi,
Osaka (JP)

D653,950 S *	2/2012	Ishizawa	D9/500
D660,706 S *	5/2012	Mochizuki	D9/516
D672,253 S *	12/2012	Lee	D9/724
D696,592 S *	12/2013	Ueta	D9/723
D755,639 S *	5/2016	Kim	D9/500
2002/0176734 A1 *	11/2002	Keating	A45D 34/042 401/270
2003/0034322 A1 *	2/2003	Doherty	B65D 41/0478 215/228
2005/0111903 A1 *	5/2005	Skoog	A46B 11/0041 401/185
2005/0211261 A1 *	9/2005	Capristo	A45D 19/02 132/112

(**) Term: **15 Years**

(Continued)

(21) Appl. No.: **29/605,394**

Primary Examiner — Barbara Fox

(22) Filed: **May 25, 2017**

Assistant Examiner — Mehri F Bajoul

(30) **Foreign Application Priority Data**

(74) *Attorney, Agent, or Firm* — Birch, Stewart, Kolasch & Birch, LLP

Nov. 28, 2016 (JP) 2016-025745

(51) **LOC (11) Cl.** **09-03**

(52) **U.S. Cl.**
USPC **D9/414**

(58) **Field of Classification Search**
USPC D9/434-436, 500, 502, 503, 516, 526,
D9/553, 557, 645, 723-729, 732;
D24/110, 115, 121, 224; D4/116-199;
401/185
CPC A46B 11/001; A46B 3/12; A46B 3/18;
A61M 35/003
See application file for complete search history.

(57) **CLAIM**

The ornamental design for a packaging container, as shown and described.

DESCRIPTION

(56) **References Cited**

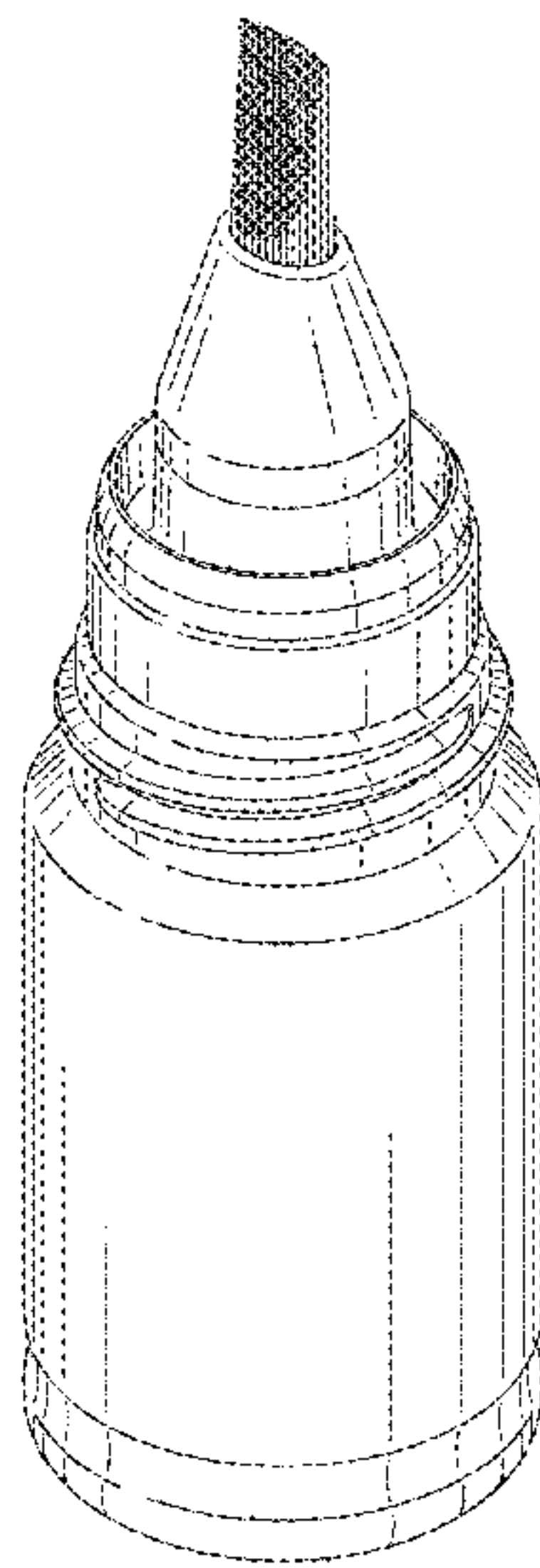
U.S. PATENT DOCUMENTS

D186,870 S *	12/1959	Quaas	401/183
D385,704 S *	11/1997	Williams	D4/114
D391,159 S *	2/1998	Sheffler	D9/500
D425,195 S *	5/2000	Hellstrom	D24/115
D591,168 S *	4/2009	Otsuka	D9/724
D622,611 S *	8/2010	Powers	D9/434

FIG. 1 is a perspective view of a packaging container showing our new design;
FIG. 2 is a front elevation view thereof, the rear elevation view being a mirror image;
FIG. 3 is a top view thereof;
FIG. 4 is a bottom view thereof;
FIG. 5 is a right elevation view thereof, the left elevation view being a mirror image;
FIG. 6 is a cross-sectional view along line 6-6 of FIG. 2;
FIG. 7 is a cross-sectional view along line 7-7 of FIG. 5; and,
FIG. 8 is an enlarged fragmentary view of the portion of FIG. 5.

The dash-dot lines of FIG. 5 designate the enlarged area of FIG. 8. The broken lines depict portions which do not form part of the claimed design.

1 Claim, 7 Drawing Sheets



(56)

References Cited

U.S. PATENT DOCUMENTS

2010/0021229 A1* 1/2010 Byun A45D 33/02
401/277
2014/0257208 A1* 9/2014 Ueta A61M 35/003
604/310

* cited by examiner

FIG. 1

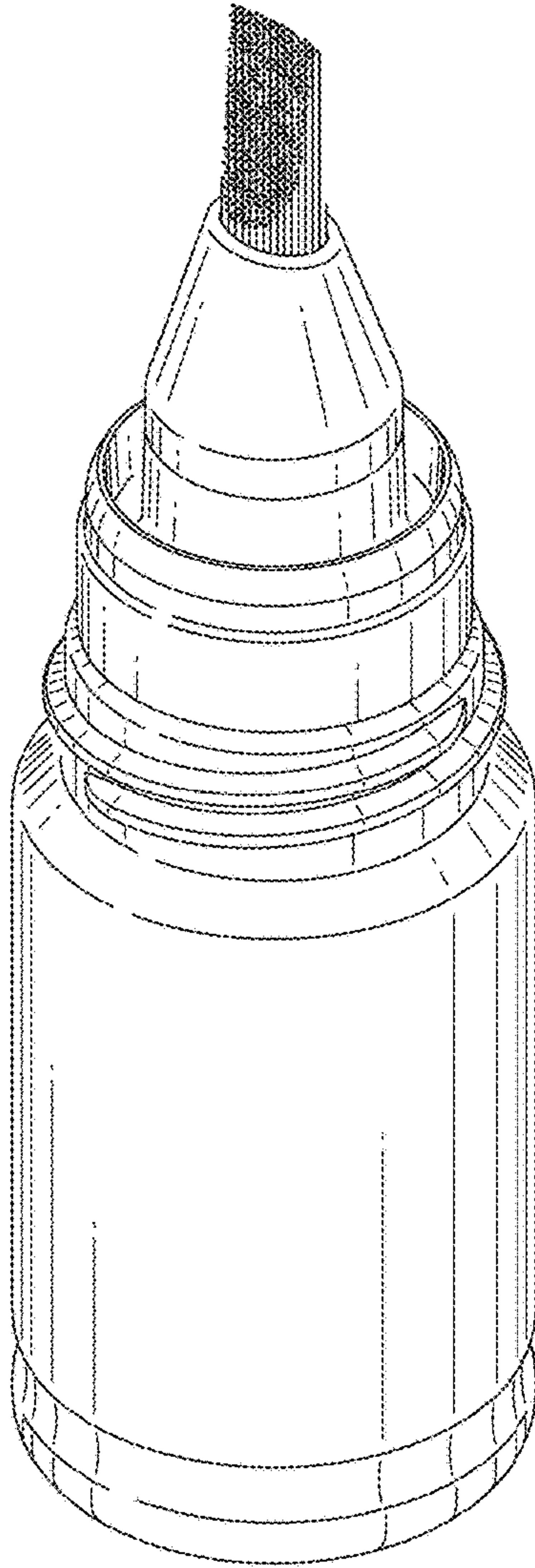


FIG.2

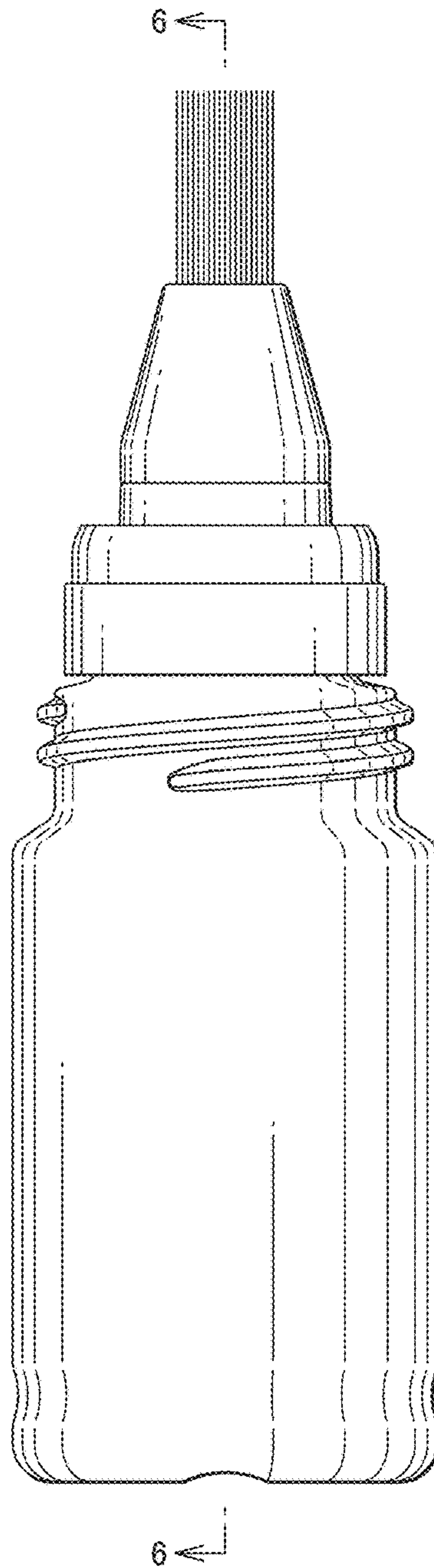


FIG.3

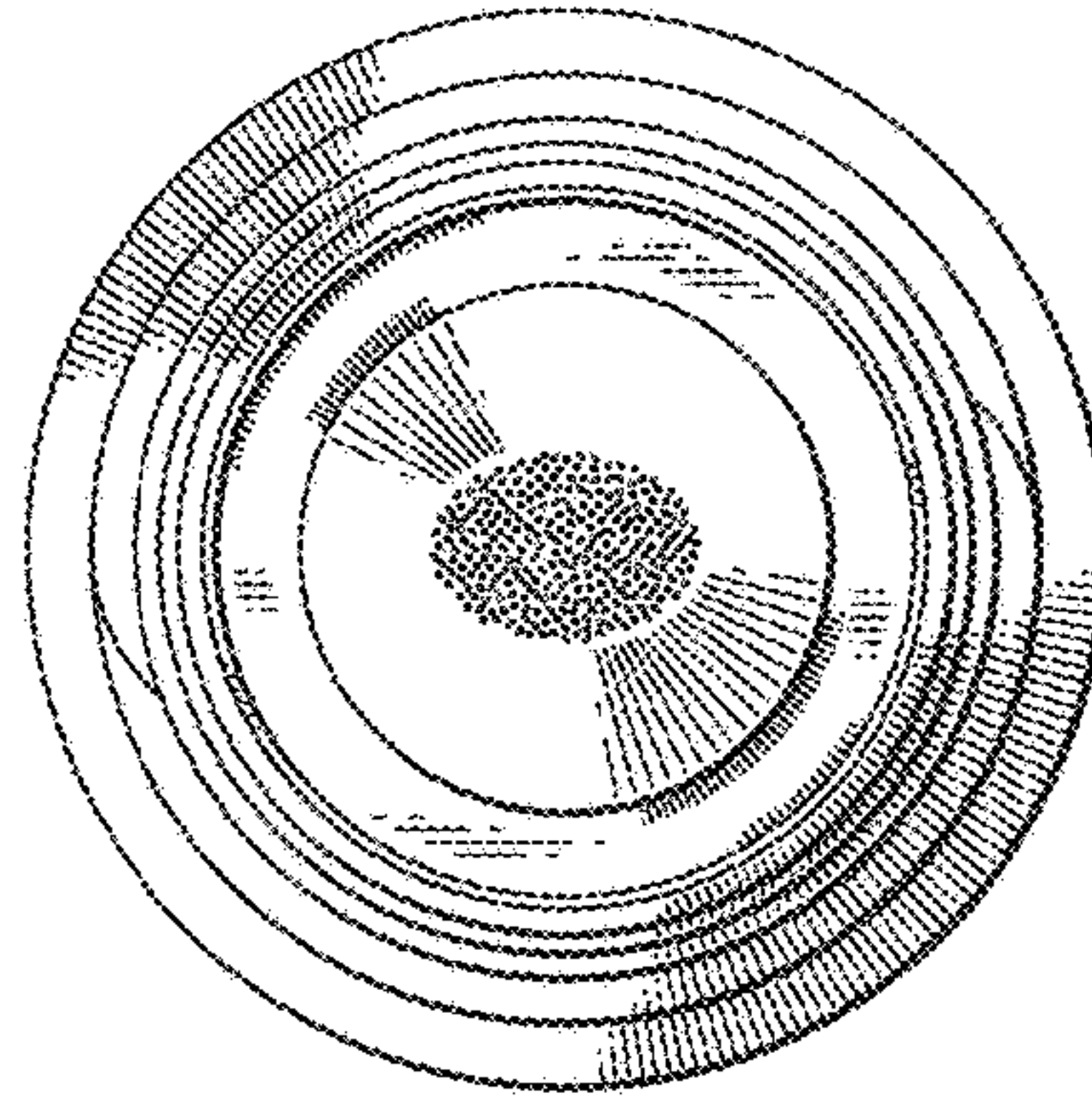


FIG.4

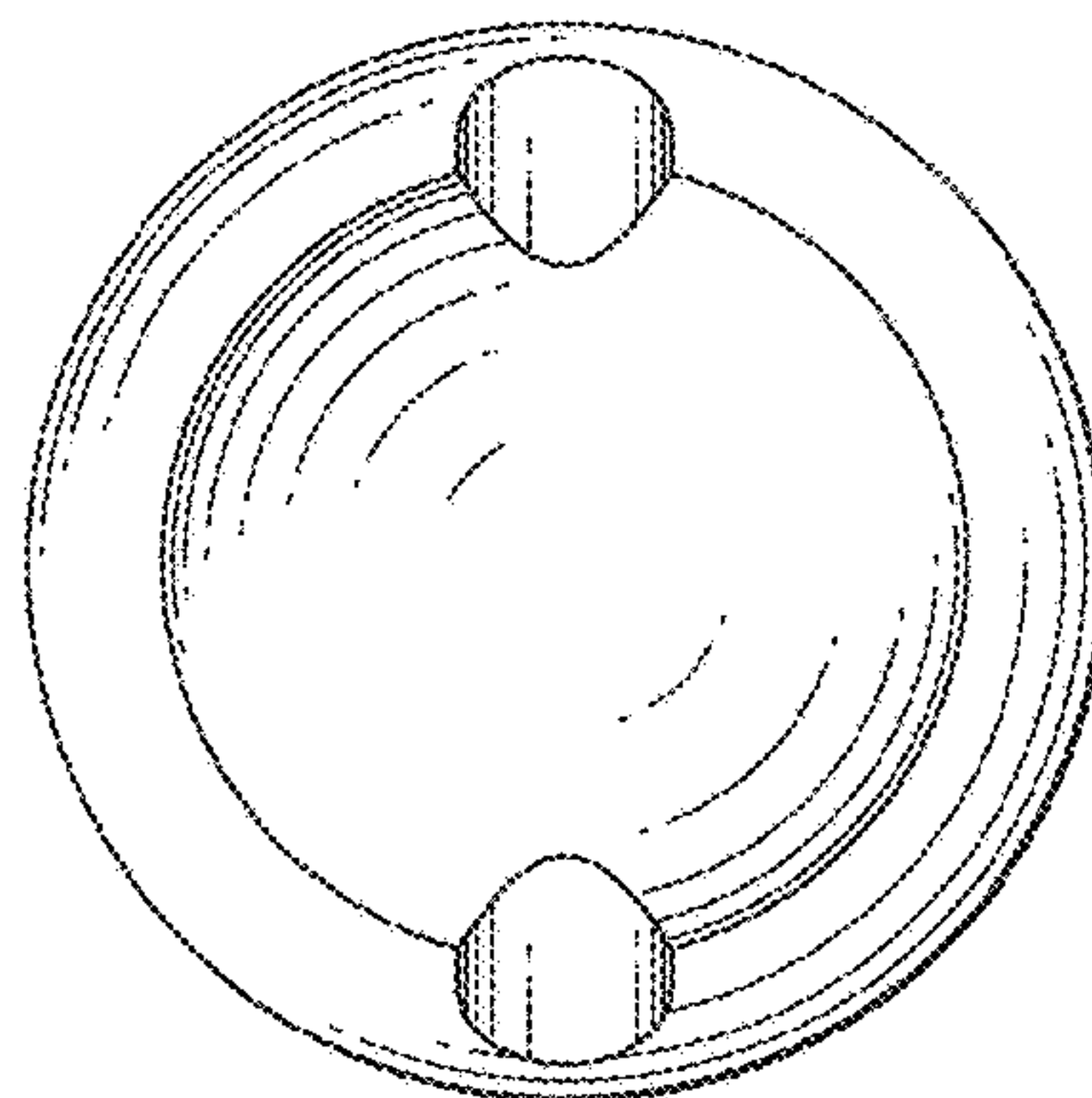


FIG.5

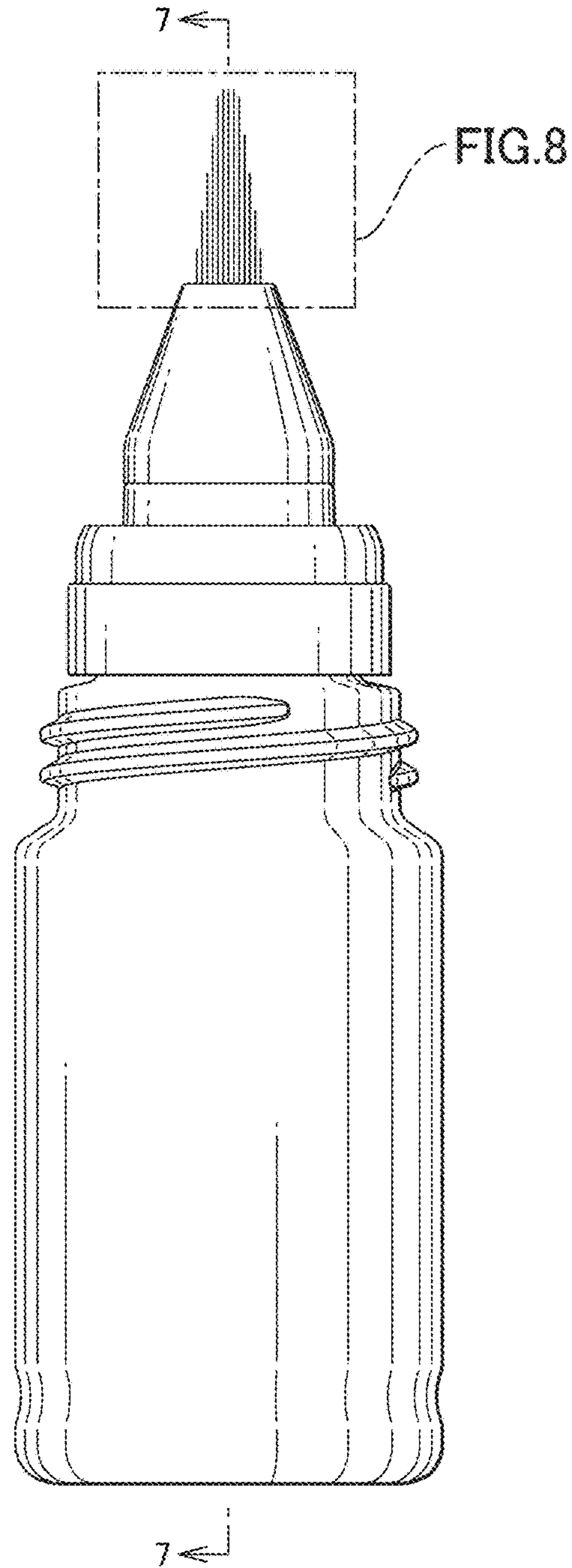


FIG.6

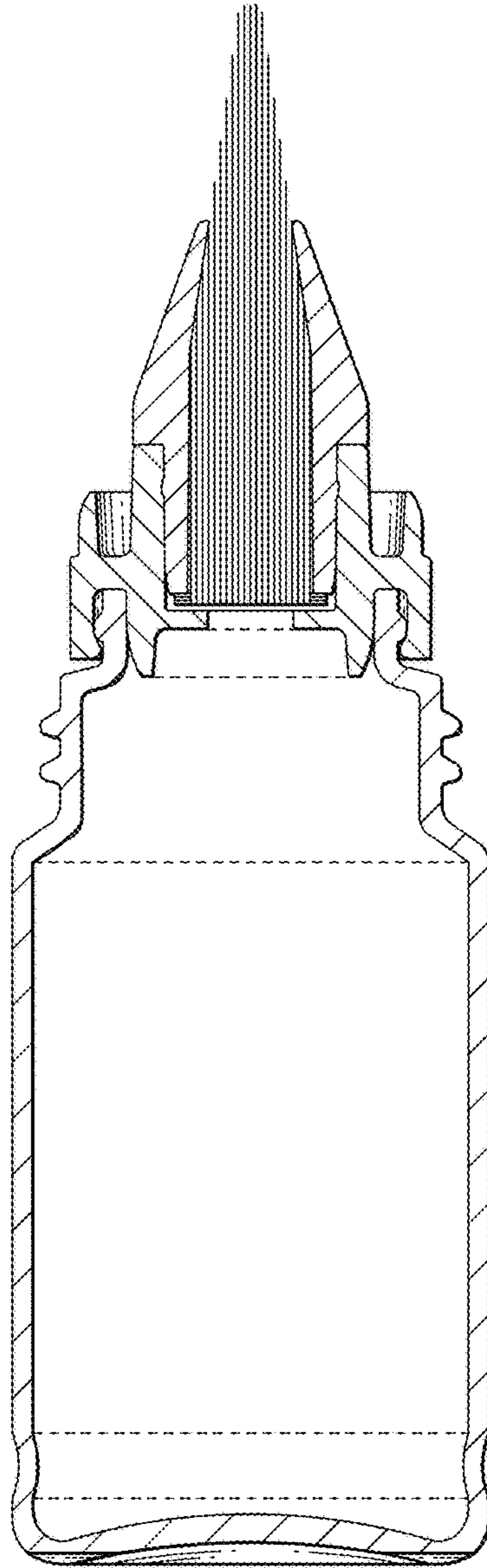


FIG. 7

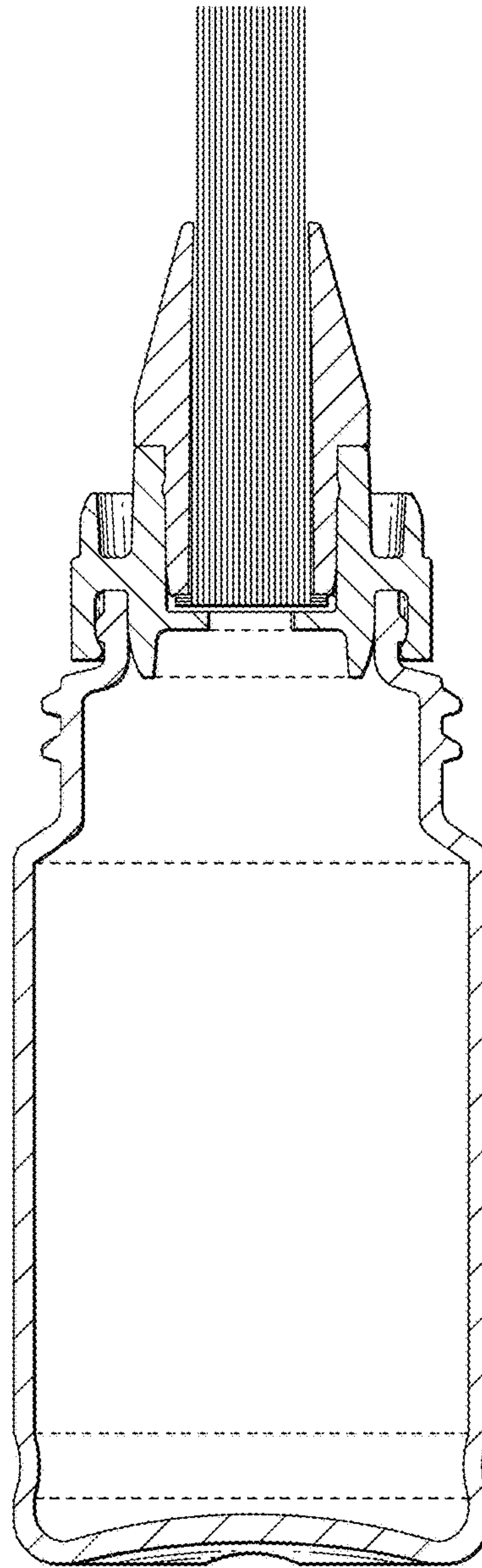


FIG. 8

