



US00D854406S

(12) **United States Design Patent**
Chen

(10) **Patent No.:** **US D854,406 S**

(45) **Date of Patent:** **** Jul. 23, 2019**

- (54) **CLIP**
- (71) Applicant: **Ming-Yi Chen**, Tainan (TW)
- (72) Inventor: **Ming-Yi Chen**, Tainan (TW)
- (**) Term: **15 Years**
- (21) Appl. No.: **29/636,976**
- (22) Filed: **Feb. 13, 2018**
- (51) **LOC (11) Cl.** **08-08**
- (52) **U.S. Cl.**
USPC **D8/395**
- (58) **Field of Classification Search**
USPC D8/349, 354, 382, 383, 394, 395;
D11/78.1
CPC . Y10T 24/1391; Y10T 24/1394; Y10T 24/44;
Y10T 24/44256; Y10T 24/44923; Y10T
29/49607; Y10T 403/7176; B42F 1/0003;
B42F 1/006; B42F 1/10
See application file for complete search history.

- D252,669 S * 8/1979 Muttart D8/366
- 4,226,006 A * 10/1980 Toyama A45C 13/18
24/3.12
- D265,381 S * 7/1982 Borja D18/34.9
- 4,440,535 A * 4/1984 Oehlke F16B 37/04
411/112
- 4,475,676 A * 10/1984 Smith A45F 5/02
224/247
- 4,587,818 A * 5/1986 Griffin A45F 5/02
224/255
- 4,619,020 A * 10/1986 Lecher, Sr. A45F 5/02
224/269
- D308,936 S * 7/1990 Arner D8/395
- D328,560 S * 8/1992 Evenson D8/349
- D378,531 S * 3/1997 Szikszay D19/65
- 5,829,103 A * 11/1998 Allen A42B 1/24
24/11 R
- D437,613 S * 2/2001 Melnyk D19/34
- D492,351 S * 6/2004 Sato D19/34
- D523,330 S * 6/2006 Mattesky D8/395

(Continued)

Primary Examiner — John Windmuller

Assistant Examiner — Steven J Czyz

(74) *Attorney, Agent, or Firm* — Rosenberg, Klein & Lee

(56) **References Cited**

U.S. PATENT DOCUMENTS

- 881,757 A * 3/1908 Winsor et al. A45F 5/022
24/10 A
- D154,930 S * 8/1949 Kikuchi et al. D8/371
- D156,659 S * 12/1949 Reed et al. D8/371
- D160,745 S * 10/1950 Sasse et al. D7/641
- 2,545,599 A * 3/1951 Bartlett G10D 9/023
206/314
- D165,253 S * 11/1951 Ward et al. 224/666
- 2,614,305 A * 10/1952 Yeardeley A45F 5/022
206/38
- D173,146 S * 10/1954 Davis et al. D8/395
- D204,446 S * 4/1966 Bardon et al. D19/65
- D213,236 S * 1/1969 Zacharia et al. D19/86
- 3,720,395 A * 3/1973 Schuplin H02G 3/126
220/3.9
- D251,124 S * 2/1979 Takeuchi D19/65

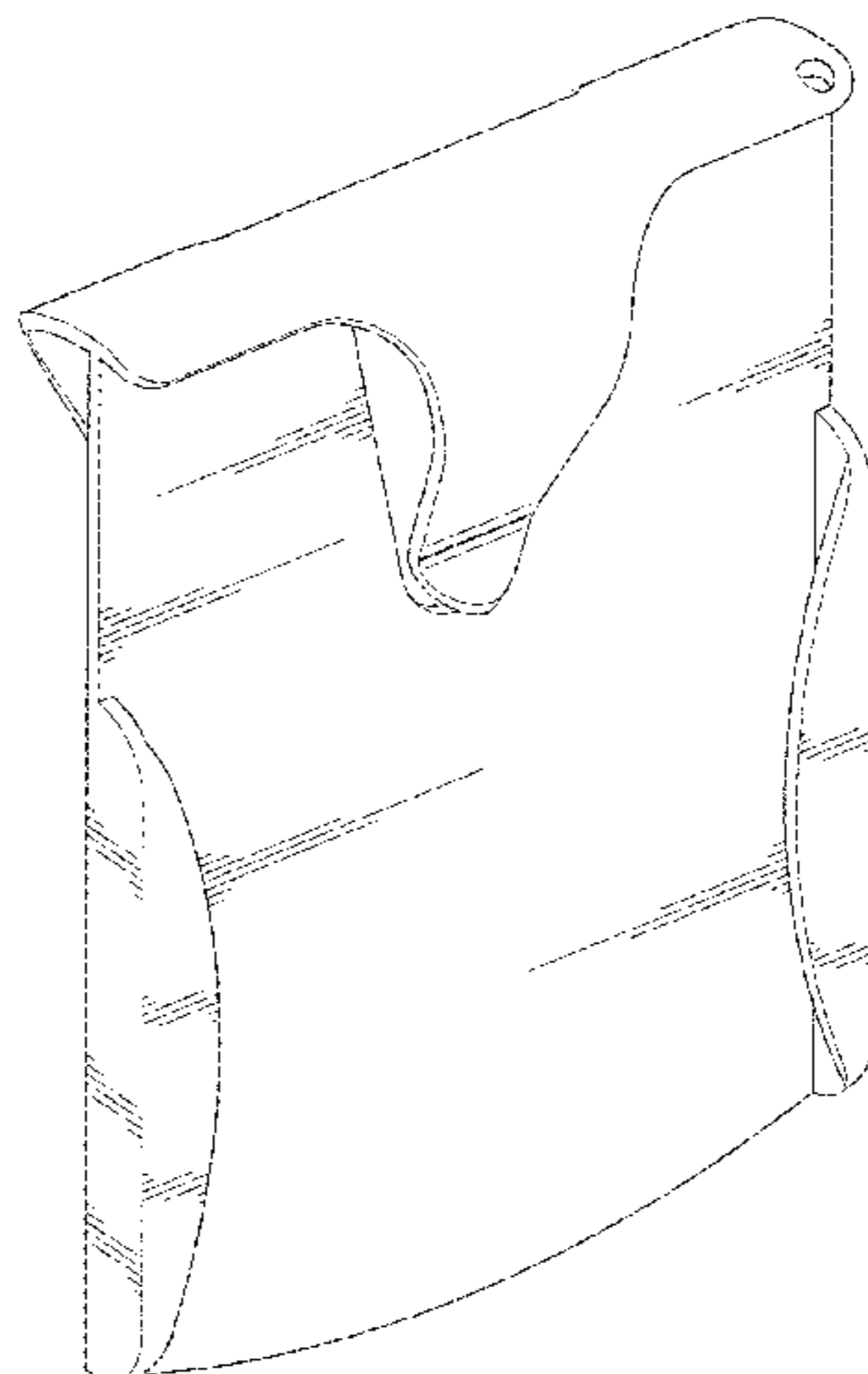
(57) **CLAIM**

The ornamental design for a clip, as shown and described.

DESCRIPTION

FIG. 1 is a perspective view of a clip showing my new design;
 FIG. 2 is a front elevational view thereof;
 FIG. 3 is a rear elevational view thereof;
 FIG. 4 is a left side elevational view thereof;
 FIG. 5 is a right side elevational view thereof;
 FIG. 6 is a top plan view thereof;
 FIG. 7 is a bottom plan view thereof; and,
 FIG. 8 is a second perspective view of a clip showing our new design.

1 Claim, 8 Drawing Sheets



(56)

References Cited

U.S. PATENT DOCUMENTS

D552,462 S *	10/2007	Boyd	D8/395
D581,311 S *	11/2008	Cornett	D11/78.1
D591,044 S *	4/2009	Lakhiani	D3/249
D625,580 S *	10/2010	Giordano	D8/349
D671,816 S *	12/2012	Stone	D8/349
D677,193 S *	3/2013	MacDonald	D11/78.1
D710,741 S *	8/2014	Hirschorn	D11/78.1
D717,197 S *	11/2014	Kinsky	D11/78.1
D757,533 S *	5/2016	Ormsbee	D8/395
D806,529 S *	1/2018	Olenick	D8/399
D822,474 S *	7/2018	Nguyen	D8/394
10,070,713 B1 *	9/2018	Carver	A45F 5/02

* cited by examiner

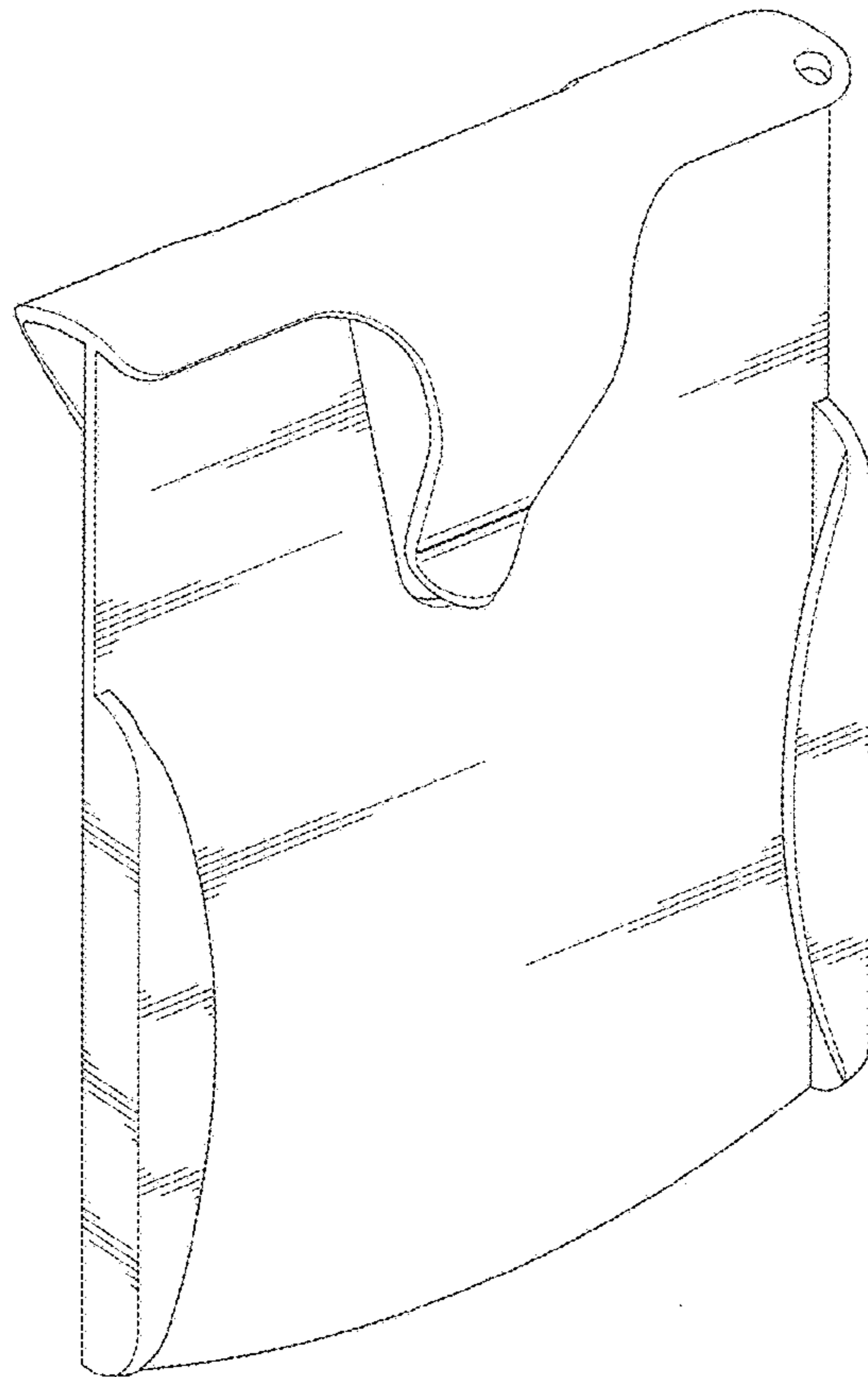


FIG. 1

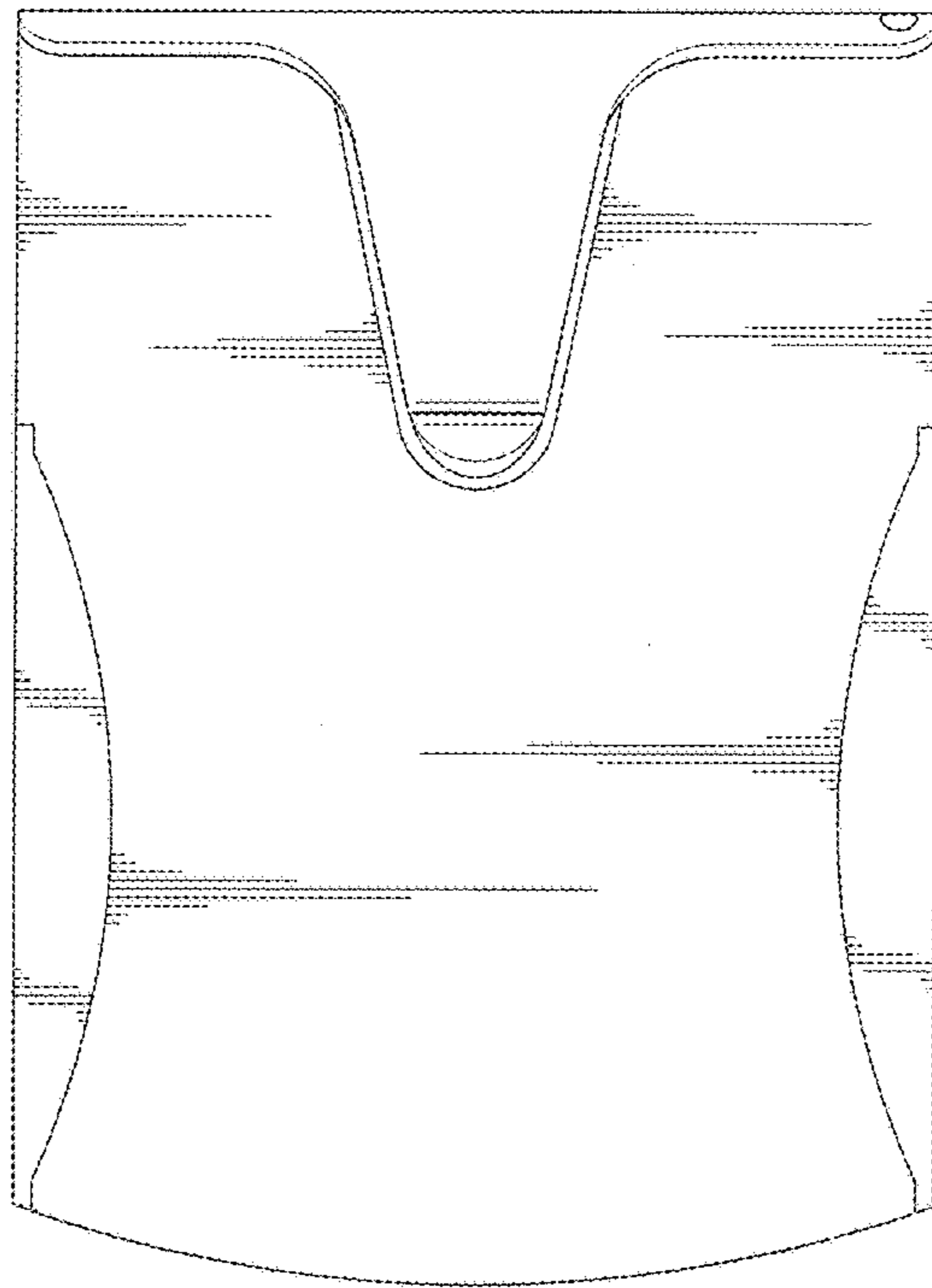


FIG. 2

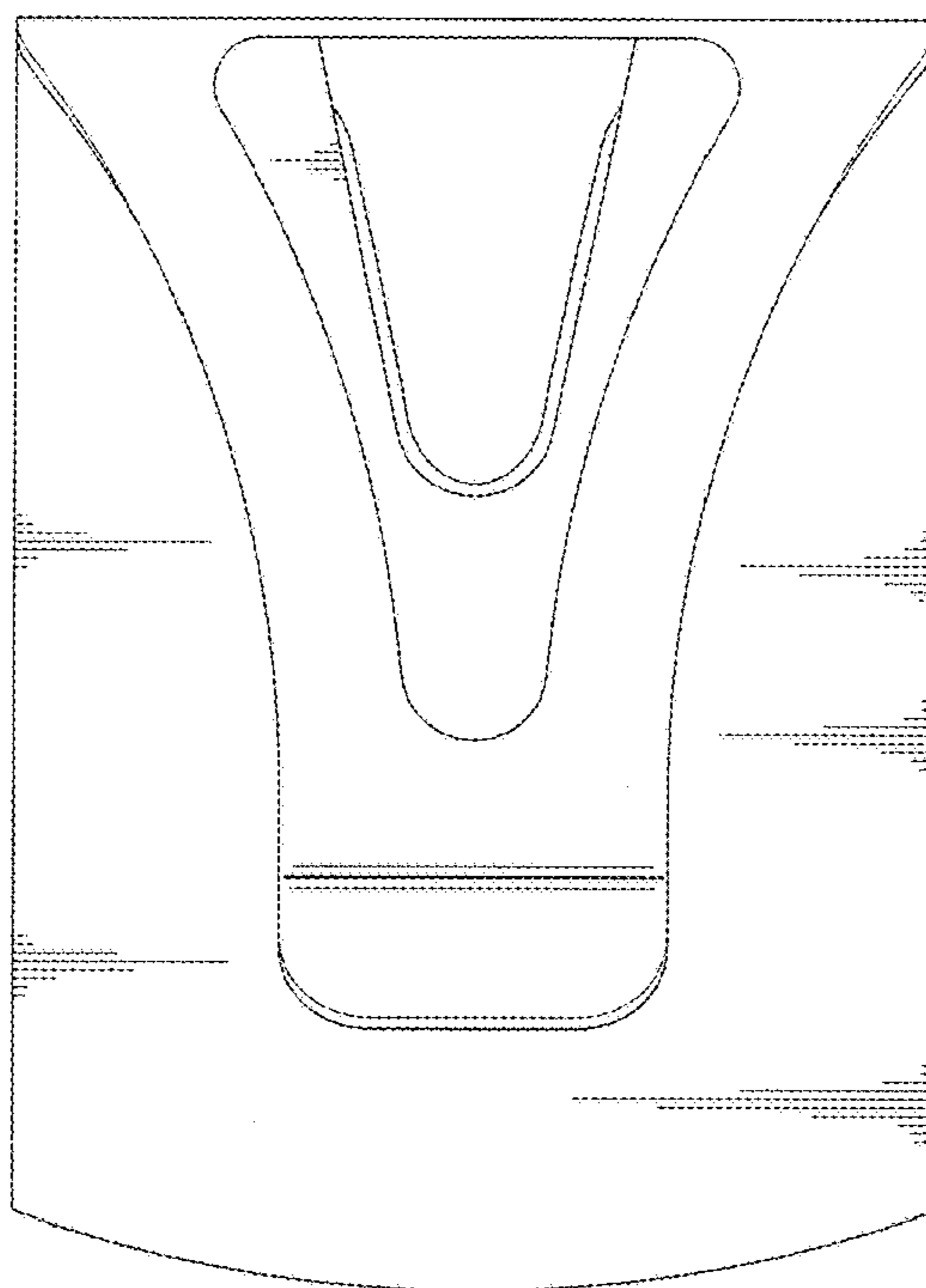


FIG. 3

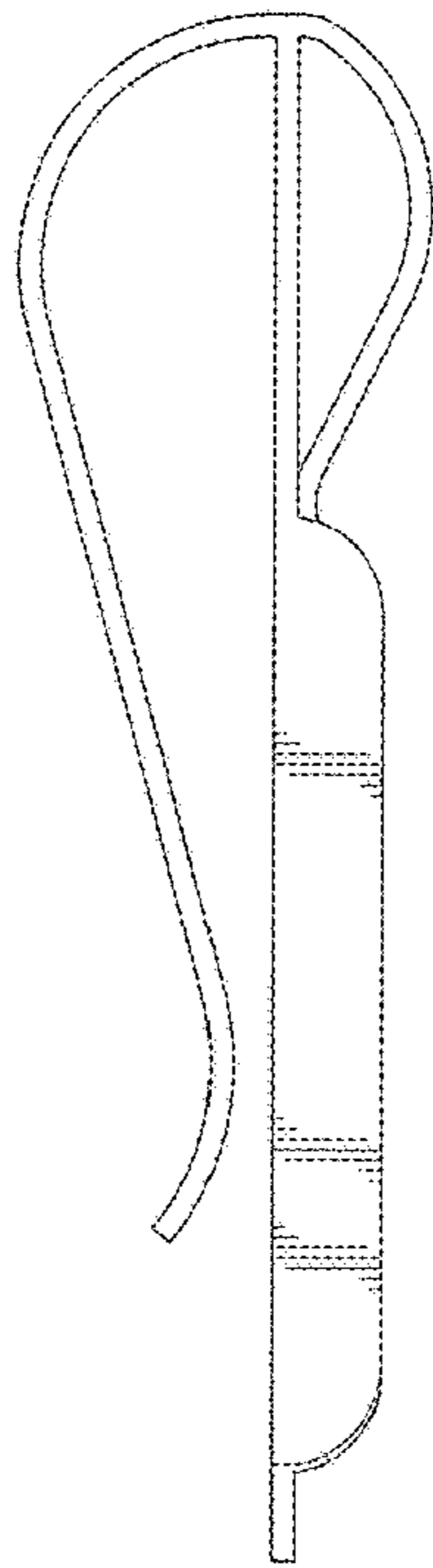


FIG. 4

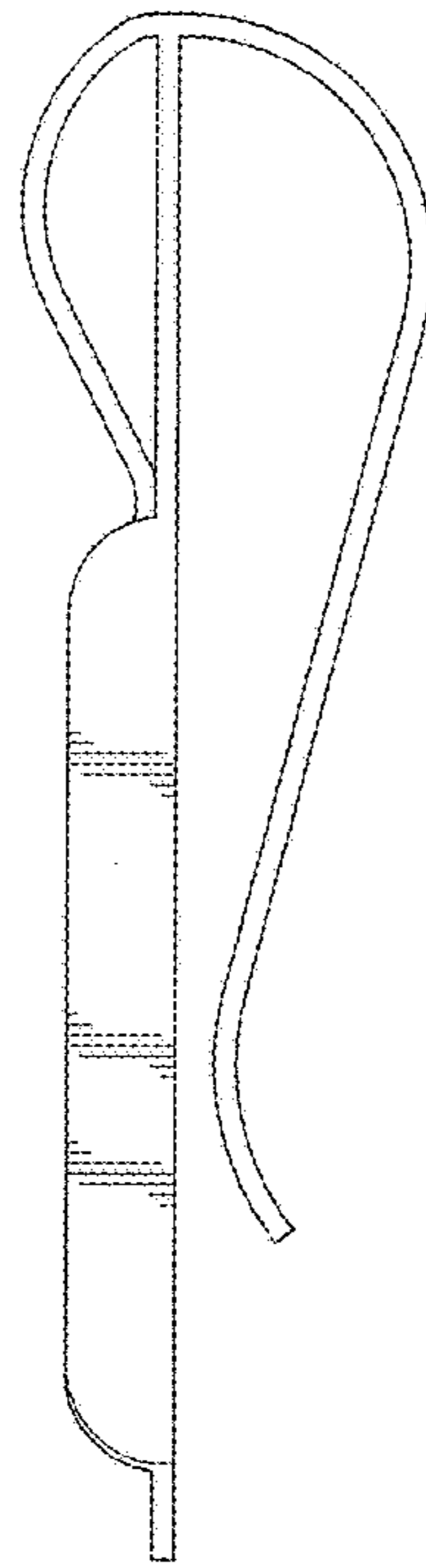


FIG. 5

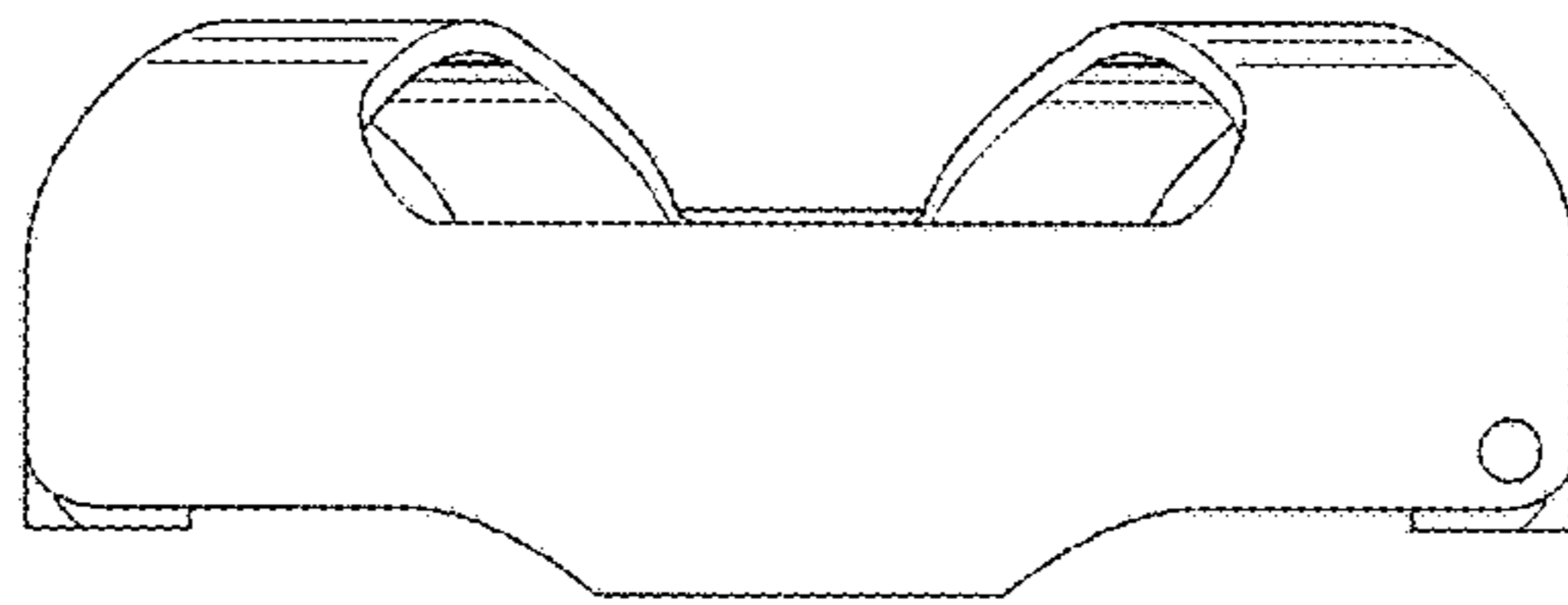


FIG. 6

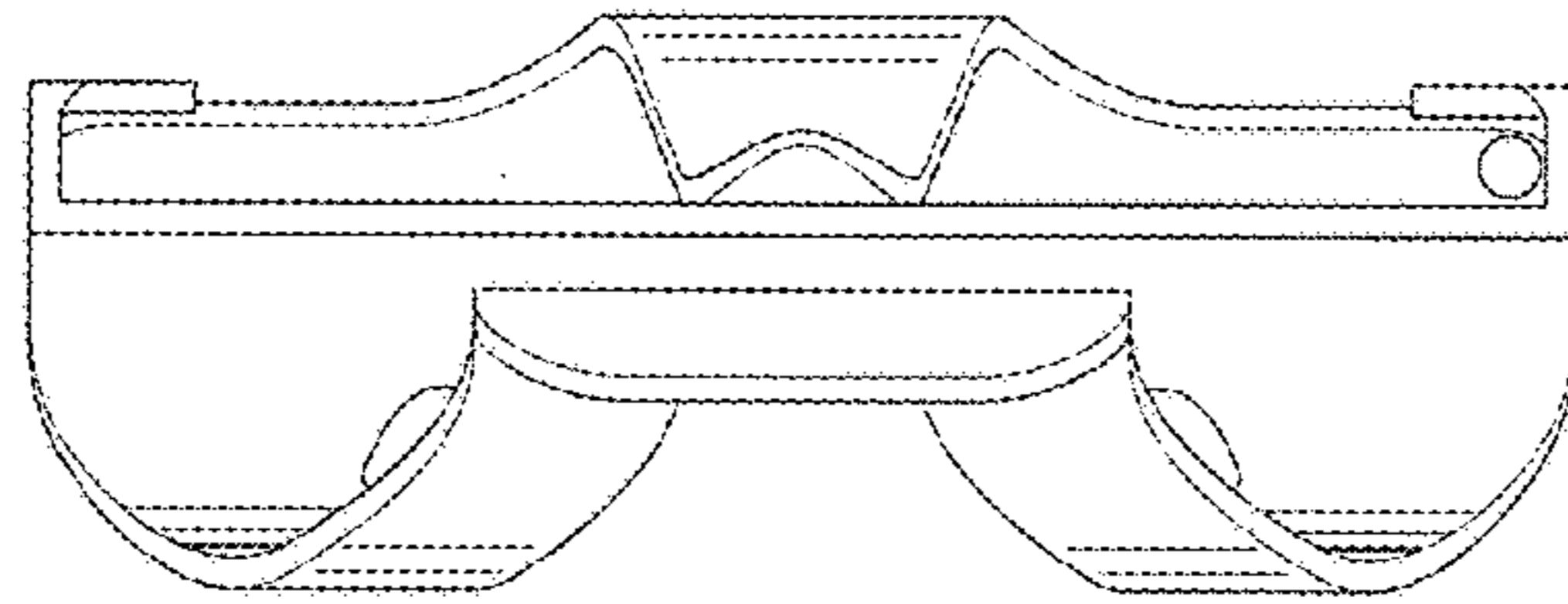


FIG. 7

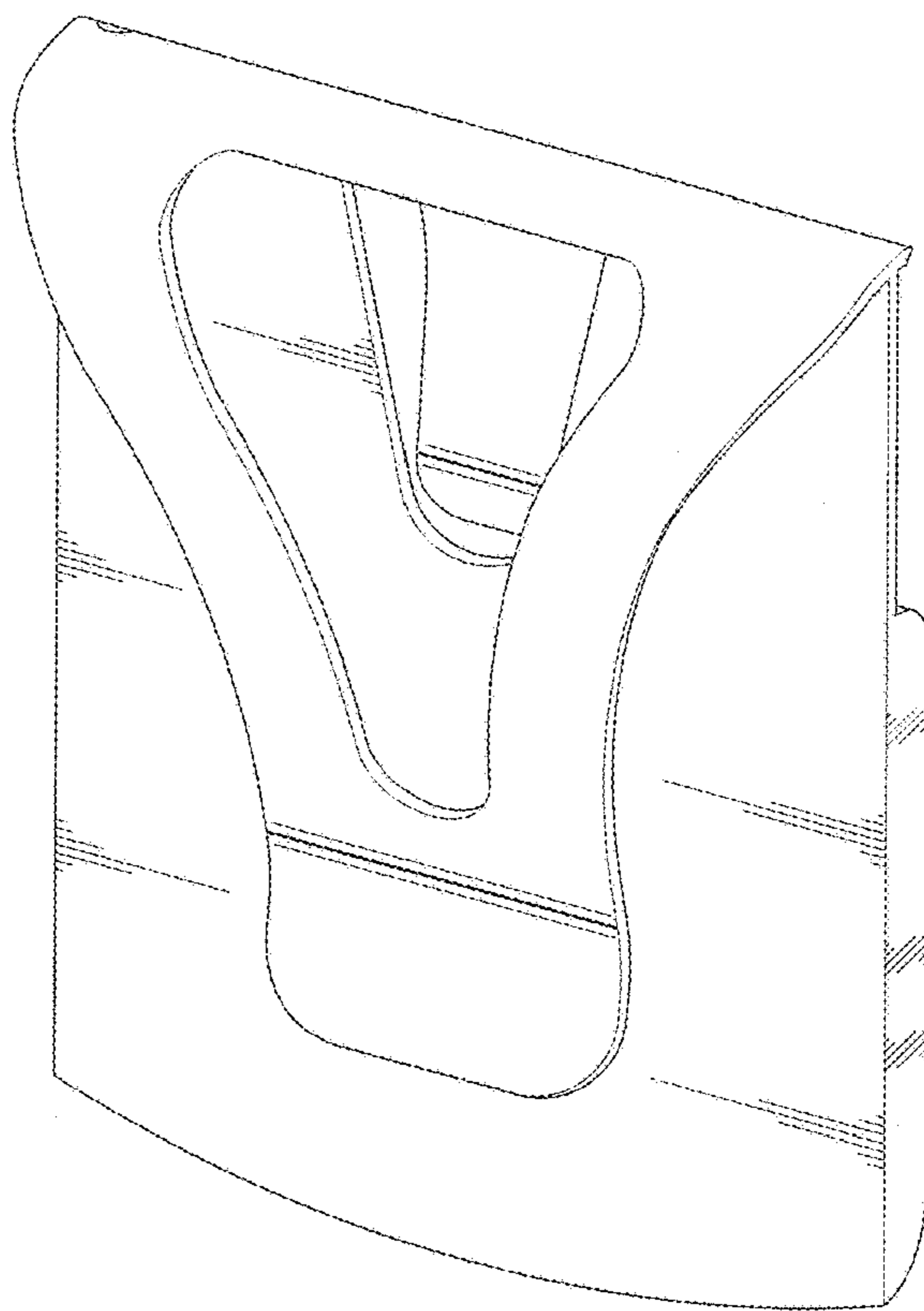


FIG. 8