



US00D854405S

(12) **United States Design Patent** (10) **Patent No.:** **US D854,405 S**
Dupont-Madinier et al. (45) **Date of Patent:** **** Jul. 23, 2019**

(54) **ASSEMBLY**
(71) Applicant: **CERTAINEED CORPORATION**,
Malvern, PA (US)
(72) Inventors: **Kim Dupont-Madinier**, Somerville,
MA (US); **Conor Patrick McDonald**,
Boston, MA (US)
(73) Assignee: **CERTAINEED CORPORATION**,
Malvern, PA (US)

4,564,165 A 1/1986 Grant et al.
4,648,229 A 3/1987 Limp
D289,251 S 4/1987 Joseph
4,742,662 A 5/1988 Smith
4,848,054 A 7/1989 Blitzer et al.
4,926,606 A 5/1990 Hanson
D319,006 S 8/1991 Talbot
D321,639 S 11/1991 Adams
D339,981 S 10/1993 Barnes
5,265,393 A 11/1993 Bischel et al.
5,421,132 A 6/1995 Bischel et al.
D364,799 S 12/1995 Callas
5,495,697 A 3/1996 Bischel et al.

(Continued)

(**) Term: **15 Years**

FOREIGN PATENT DOCUMENTS

(21) Appl. No.: **29/586,039**
(22) Filed: **Nov. 30, 2016**
(51) **LOC (11) Cl.** **08-08**
(52) **U.S. Cl.**
USPC **D8/395**; D8/396
(58) **Field of Classification Search**
USPC D8/356, 371, 394-396; 24/570;
248/74.2, 215, 227.1, 49, 300, 301, 316.7,
248/51, 489; D19/65, 56; D25/58, 121,
D25/122; 52/489.1, 489.2, 715, DIG. 6,
52/288.1, 716.6, 718.04, 506.07
CPC . E04B 9/067; E04B 9/068; E04B 9/12; E04B
9/18; E04B 9/30; E04B 2009/062; E04C
2003/0413; E04C 2003/0439; E04C
2003/046
See application file for complete search history.

EP 0421255 A2 4/1991
EP 0306463 B1 10/1991

Primary Examiner — John Windmuller
(74) *Attorney, Agent, or Firm* — Abel Schillinger, LLP;
Thomas H. Osborn

(57) **CLAIM**

The ornamental design for an assembly, as shown and described.

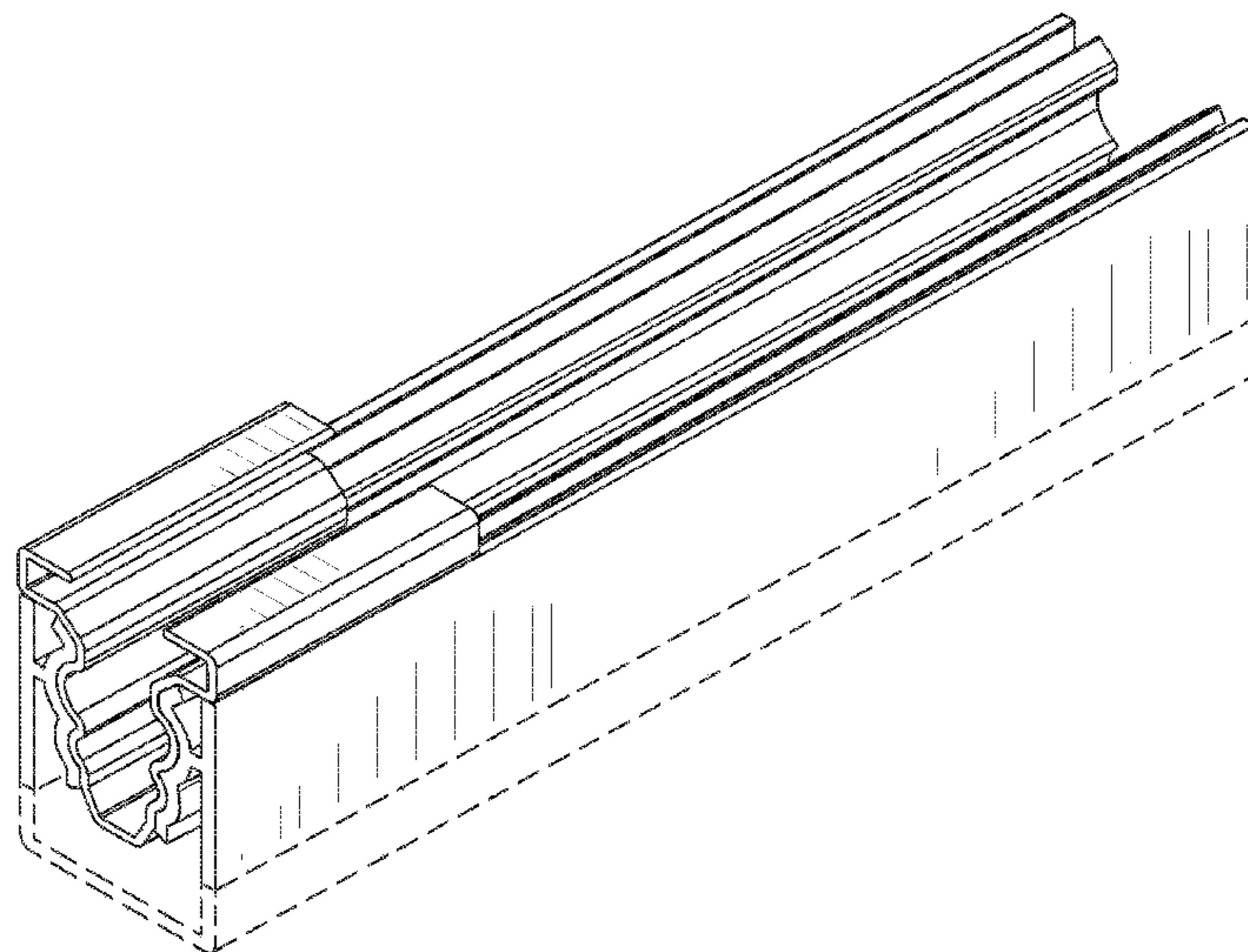
DESCRIPTION

FIG. 1 is a front perspective view of an assembly showing our new design;
FIG. 2 is a front view thereof with an additional piece;
FIG. 3 is a back view thereof without the additional piece;
FIG. 4 is a side view of the assembly;
FIG. 5 is an opposite side view of the assembly;
FIG. 6 is a top view of the assembly;
FIG. 7 is a bottom view of the assembly; and,
FIG. 8 is an exploded view of the assembly.
The broken lines in the figures depict environment and portions of the assembly that form no part of the claimed design.

(56) **References Cited**
U.S. PATENT DOCUMENTS

386,378 A 7/1888 Bright
2,807,431 A 9/1957 McHale
3,618,176 A 11/1971 Barnes
3,683,100 A 8/1972 Deal et al.
3,952,985 A 4/1976 Davenport
4,119,285 A 10/1978 Bisping et al.
4,135,692 A 1/1979 Ferguson

1 Claim, 6 Drawing Sheets



(56)

References Cited

U.S. PATENT DOCUMENTS

5,533,696 A 7/1996 Laughlin et al.
 5,806,823 A 9/1998 Callas
 5,845,447 A 12/1998 Bodine et al.
 5,954,300 A * 9/1999 Sturies F16L 3/20
 248/68.1
 D429,001 S * 8/2000 Benz D25/60
 6,659,521 B2 12/2003 Hill et al.
 D488,055 S * 4/2004 Ter Braak D8/377
 D501,564 S * 2/2005 Kuramochi D25/122
 D541,953 S * 5/2007 Deleu D25/122
 7,392,629 B1 7/2008 Bankston et al.
 D616,567 S * 5/2010 Desrosiers D25/122
 D616,568 S * 5/2010 Desrosiers D25/122
 D632,554 S 2/2011 Grzyb
 D635,692 S * 4/2011 Wirthgen D25/119
 D638,773 S 5/2011 Laverack et al.
 D669,770 S * 10/2012 Lapping D25/122

8,359,802 B1 1/2013 Burnett et al.
 D679,177 S * 4/2013 Craig D8/395
 D688,122 S * 8/2013 Wasco D8/395
 D690,583 S * 10/2013 Sendra-Gonzalez ... H02S 20/00
 D8/394
 9,217,247 B2 12/2015 Behling et al.
 D756,764 S * 5/2016 Limber D8/395
 D762,457 S 8/2016 Lo et al.
 D781,693 S * 3/2017 Roan D8/394
 D781,694 S * 3/2017 Iwata D8/14
 D816,475 S 5/2018 Ochi et al.
 9,982,742 B2 * 5/2018 Loewe F16F 13/04
 2002/0060280 A1 5/2002 Yaphe et al.
 2006/0174562 A1 8/2006 Insalaco
 2009/0242715 A1 10/2009 Kosidlo et al.
 2011/0247287 A1 10/2011 Butcher et al.
 2015/0152645 A1 6/2015 Burnett
 2015/0262516 A1 9/2015 White
 2017/0099745 A1 4/2017 Dang et al.

* cited by examiner

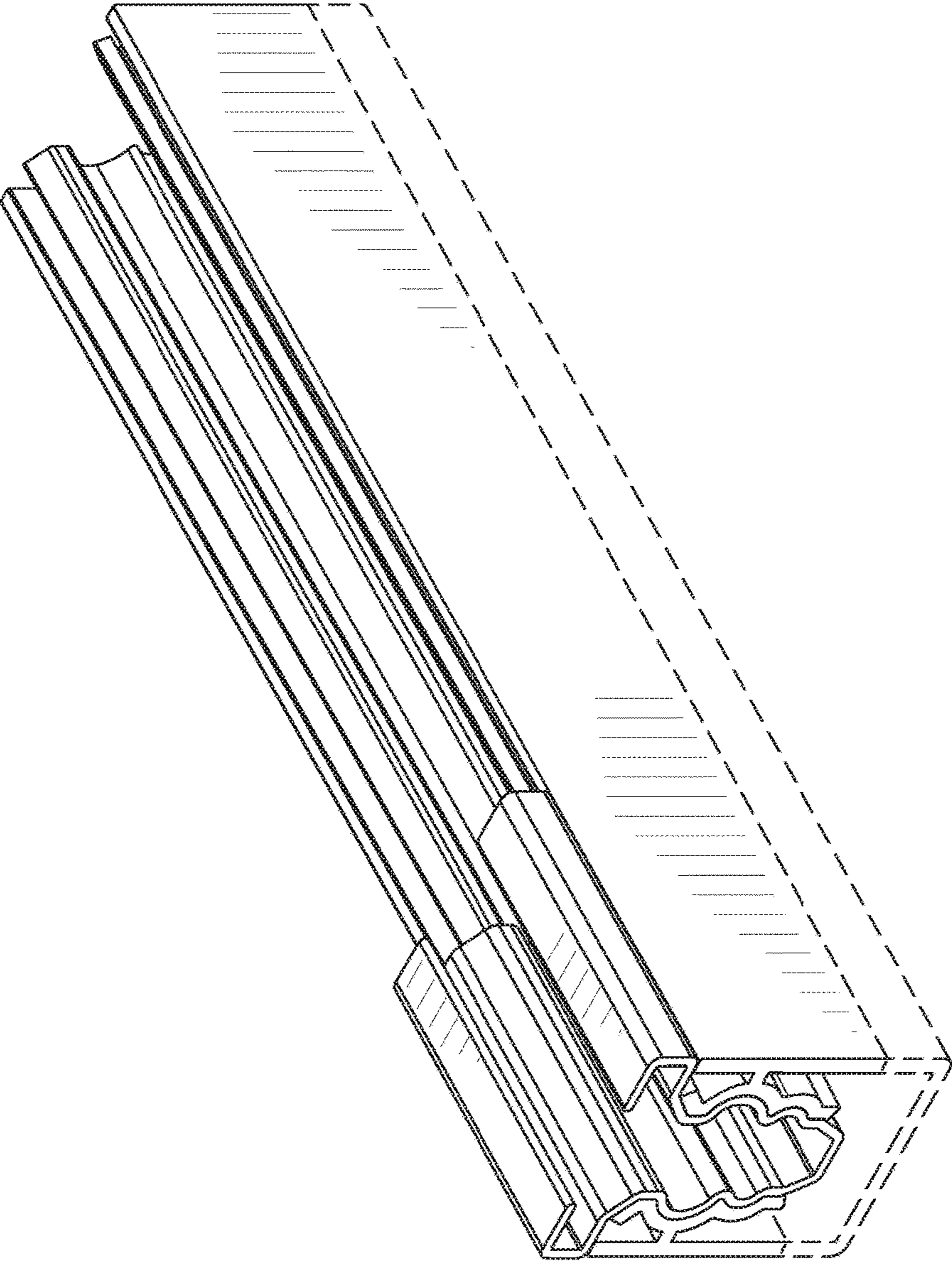


FIG. 1

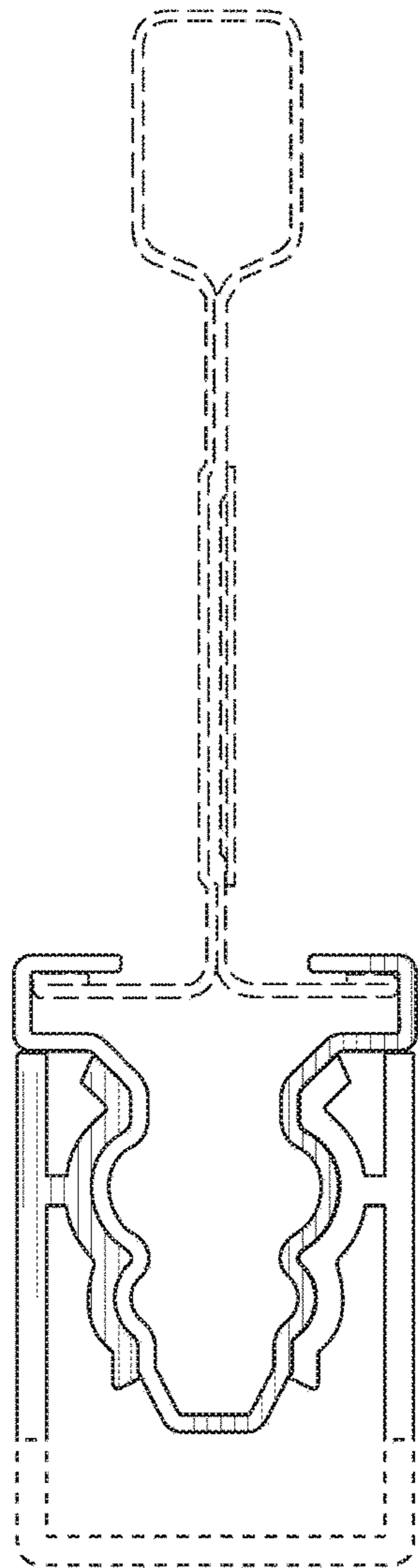


FIG. 2

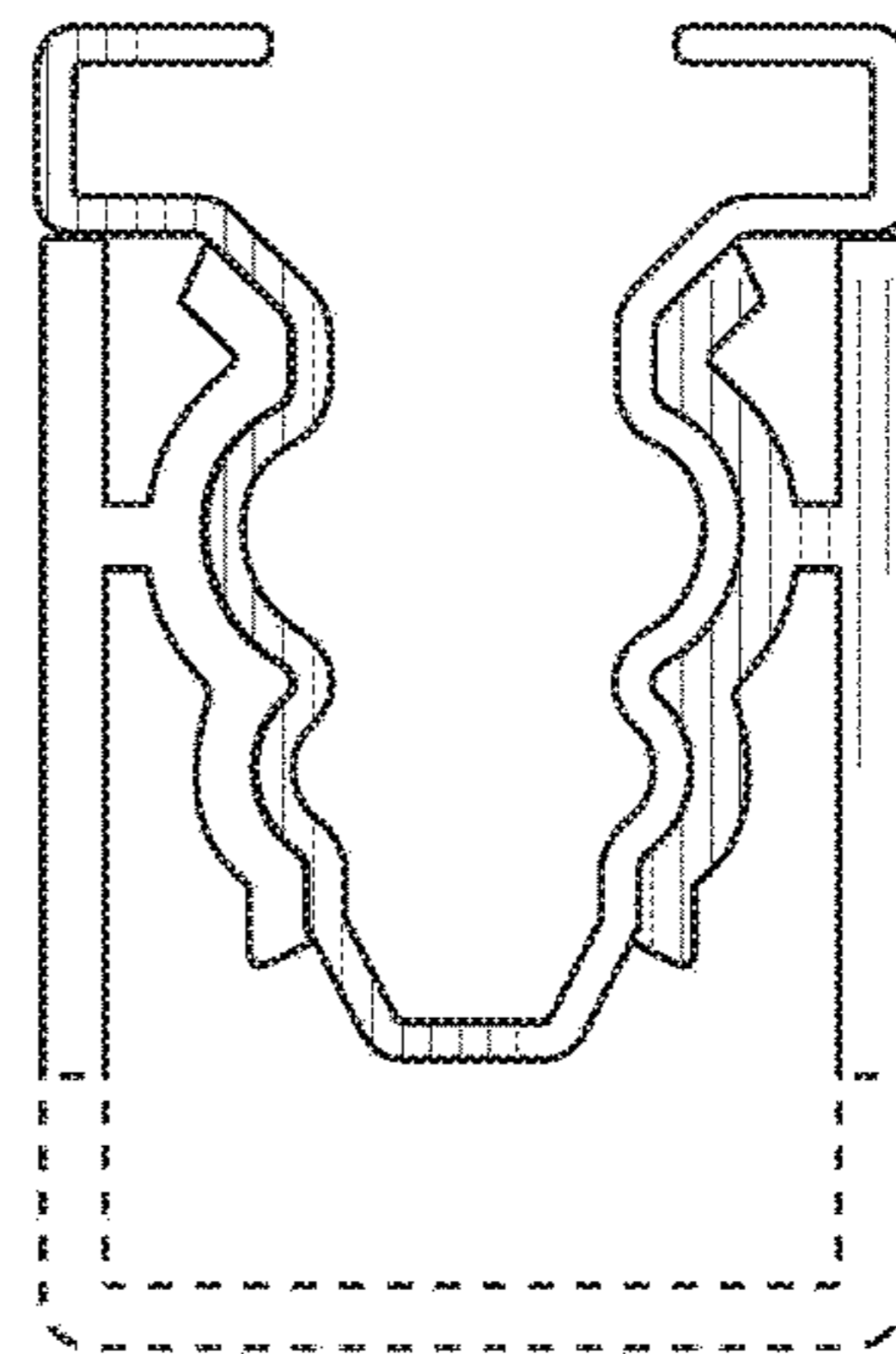


FIG. 3

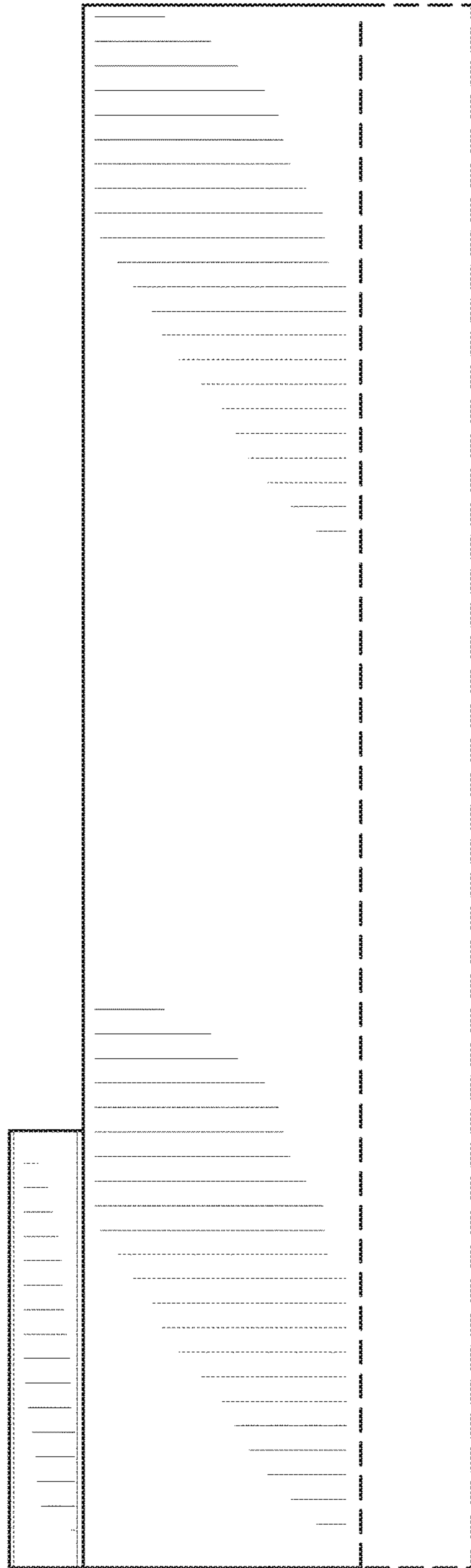


FIG. 4

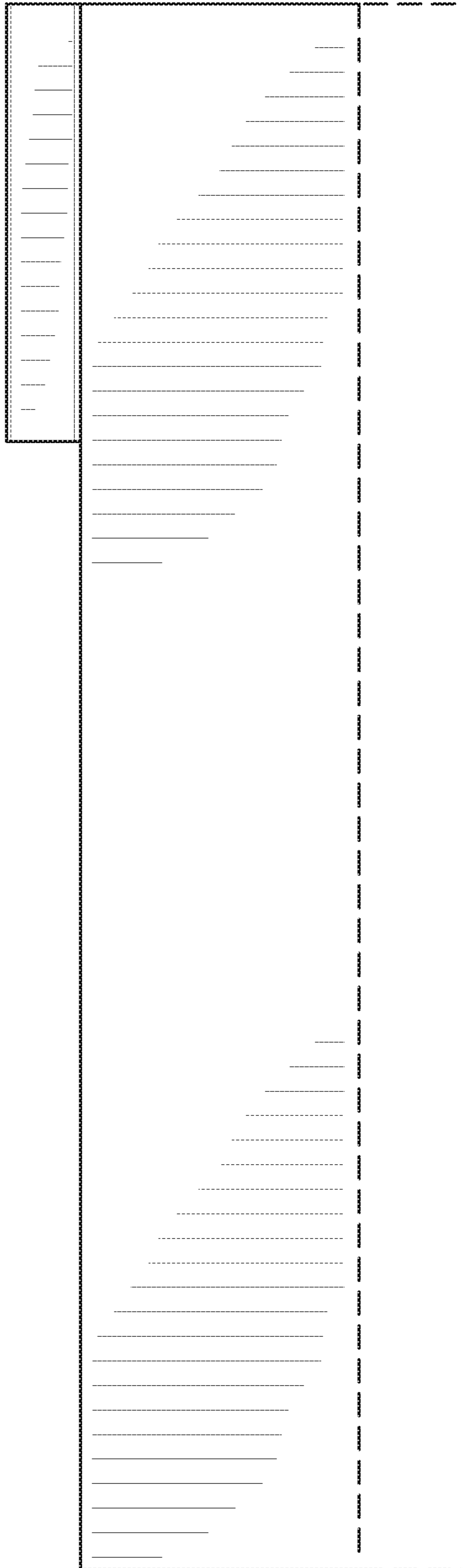


FIG. 5

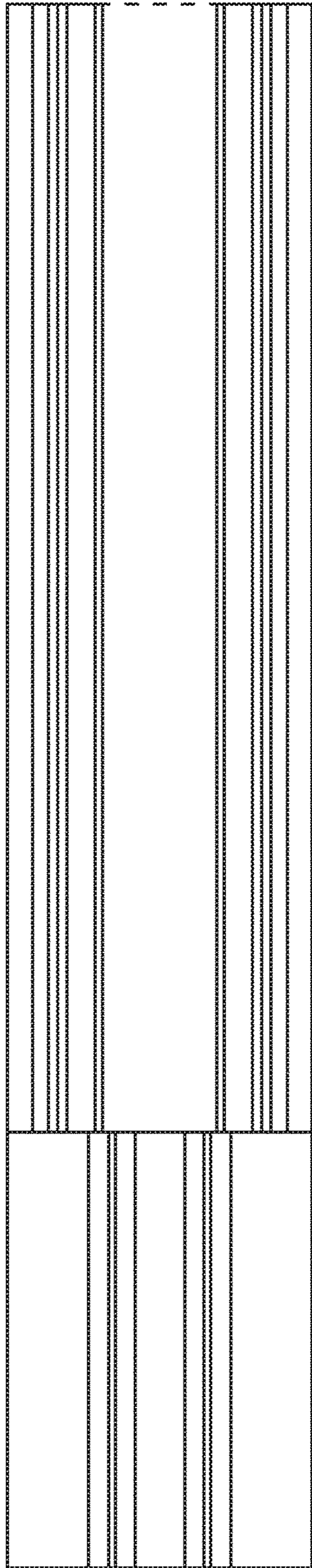


FIG. 6

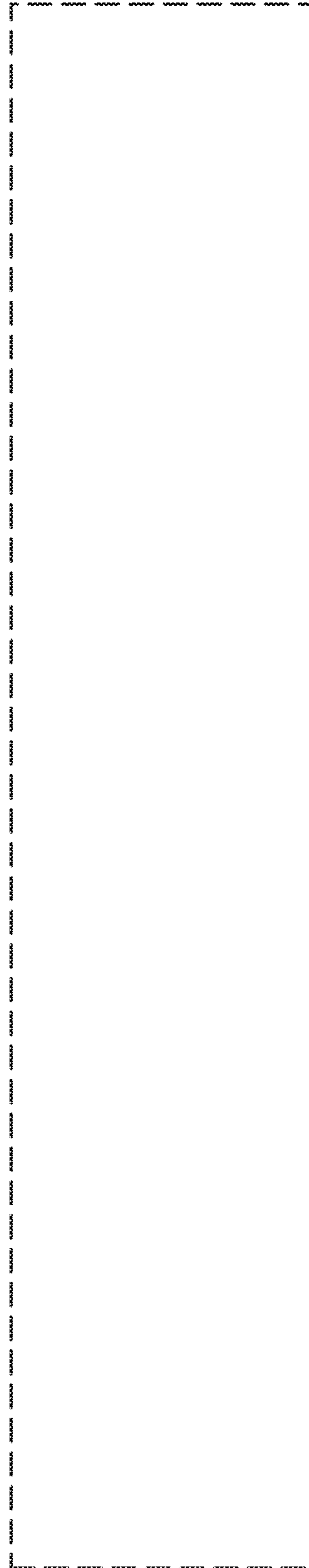


FIG. 7

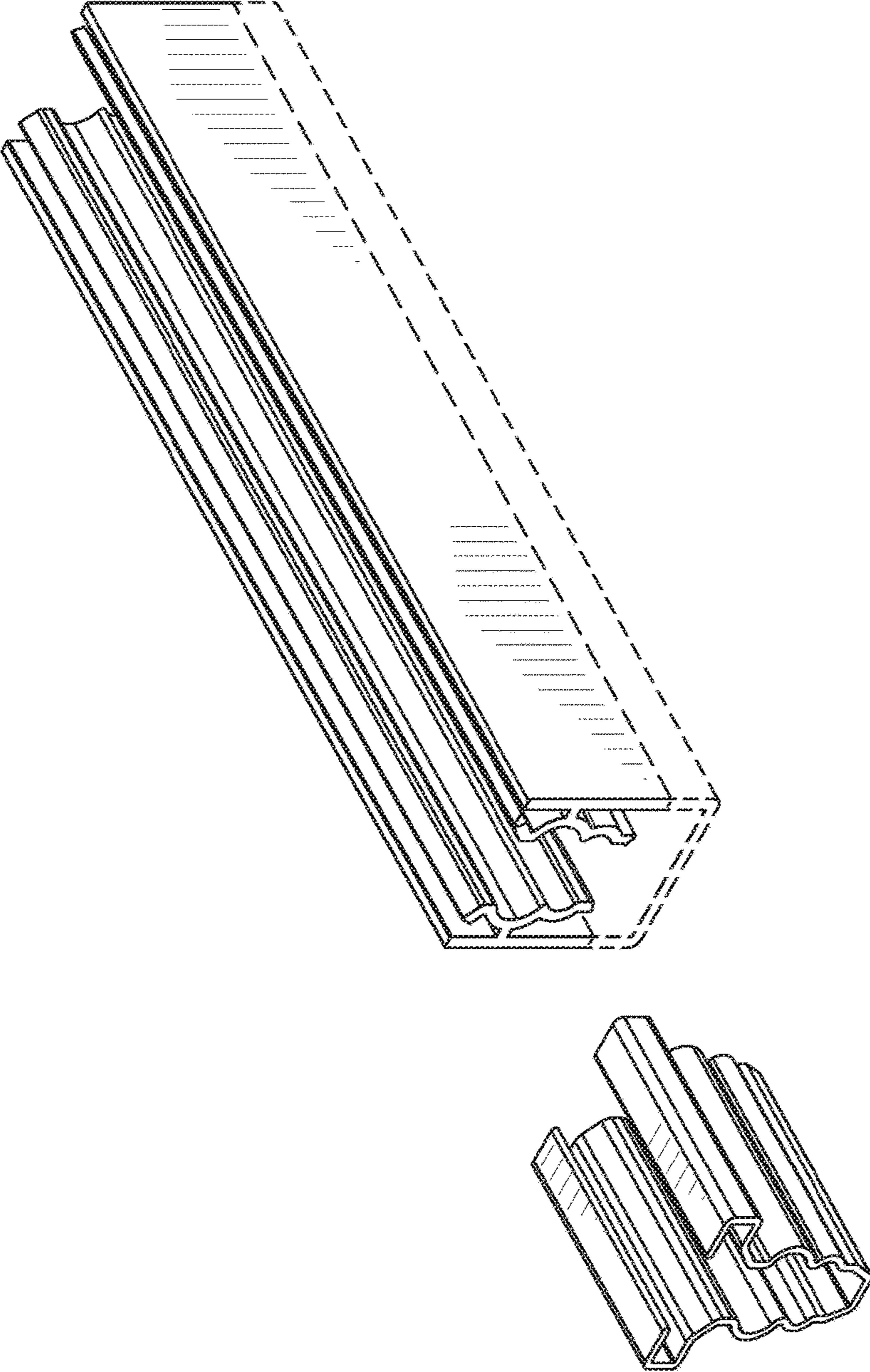


FIG. 8