



US00D854403S

(12) **United States Design Patent**  
**Guo**

(10) **Patent No.:** **US D854,403 S**

(45) **Date of Patent:** **\*\* Jul. 23, 2019**

(54) **RAIL FITTING**

(71) Applicant: **James Guo**, Gambrills, MD (US)

(72) Inventor: **James Guo**, Gambrills, MD (US)

(\*\*) Term: **15 Years**

(21) Appl. No.: **29/570,098**

(22) Filed: **Jul. 5, 2016**

(51) **LOC (11) Cl.** ..... **08-05**

(52) **U.S. Cl.**  
USPC ..... **D8/382**

(58) **Field of Classification Search**  
USPC ..... D8/382, 381, 380, 400, 353, 366, 363,  
D8/373, 376; D6/556, 554, 512, 327,  
D6/324; D21/691, 679; D25/127, 134,  
D25/133, 61; D14/251  
CPC ..... E04F 11/18  
See application file for complete search history.

(56) **References Cited**

**U.S. PATENT DOCUMENTS**

D288,525 S \* 3/1987 Angle ..... D8/352  
D316,032 S \* 4/1991 Westphal ..... D8/400

D433,928 S \* 11/2000 Alcone ..... D8/382  
D436,843 S \* 1/2001 Mudryk ..... D8/382  
D508,571 S \* 8/2005 Weiser ..... D25/133  
D571,486 S \* 6/2008 Miller ..... D25/133  
D663,194 S \* 7/2012 Obolewicz ..... D8/382  
D814,277 S \* 4/2018 Partridge ..... H02G 13/00  
D8/382  
2018/0030734 A1 \* 2/2018 Guo ..... E04F 11/1812

\* cited by examiner

*Primary Examiner* — Eliza Z Bennett-Hattan

(74) *Attorney, Agent, or Firm* — Laubscher & Laubscher, P.C.

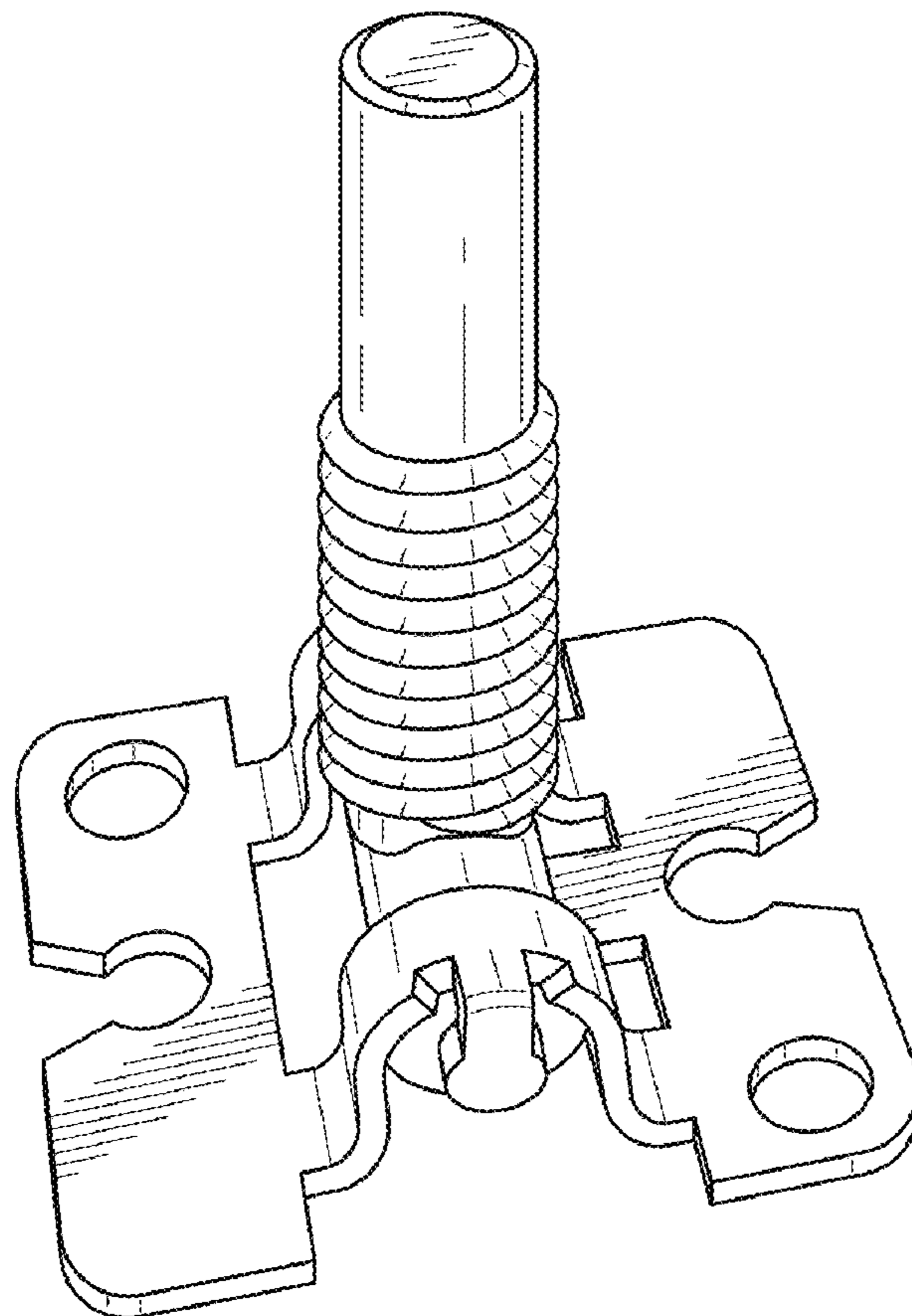
(57) **CLAIM**

The ornamental design for a rail fitting, as shown.

**DESCRIPTION**

FIG. 1 is a front perspective view illustrating my design;  
FIG. 2 is a top elevation view thereof;  
FIG. 3 is a bottom elevation view thereof;  
FIG. 4 is a front elevation view thereof 1;  
FIG. 5 is a rear elevation view thereof;  
FIG. 6 is a front right side view thereof; and,  
FIG. 7 is a left side view thereof.

**1 Claim, 2 Drawing Sheets**



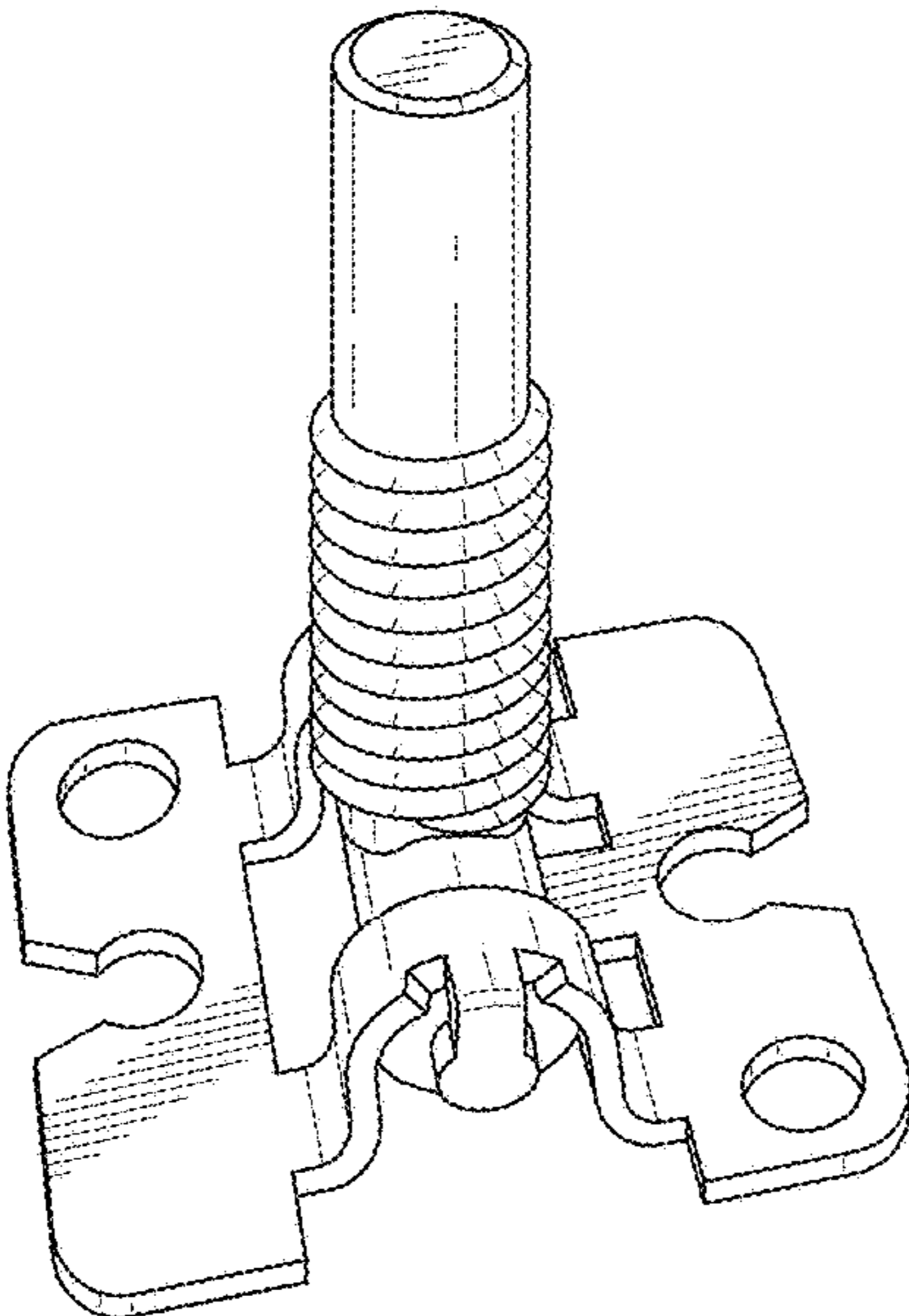


FIG. 1

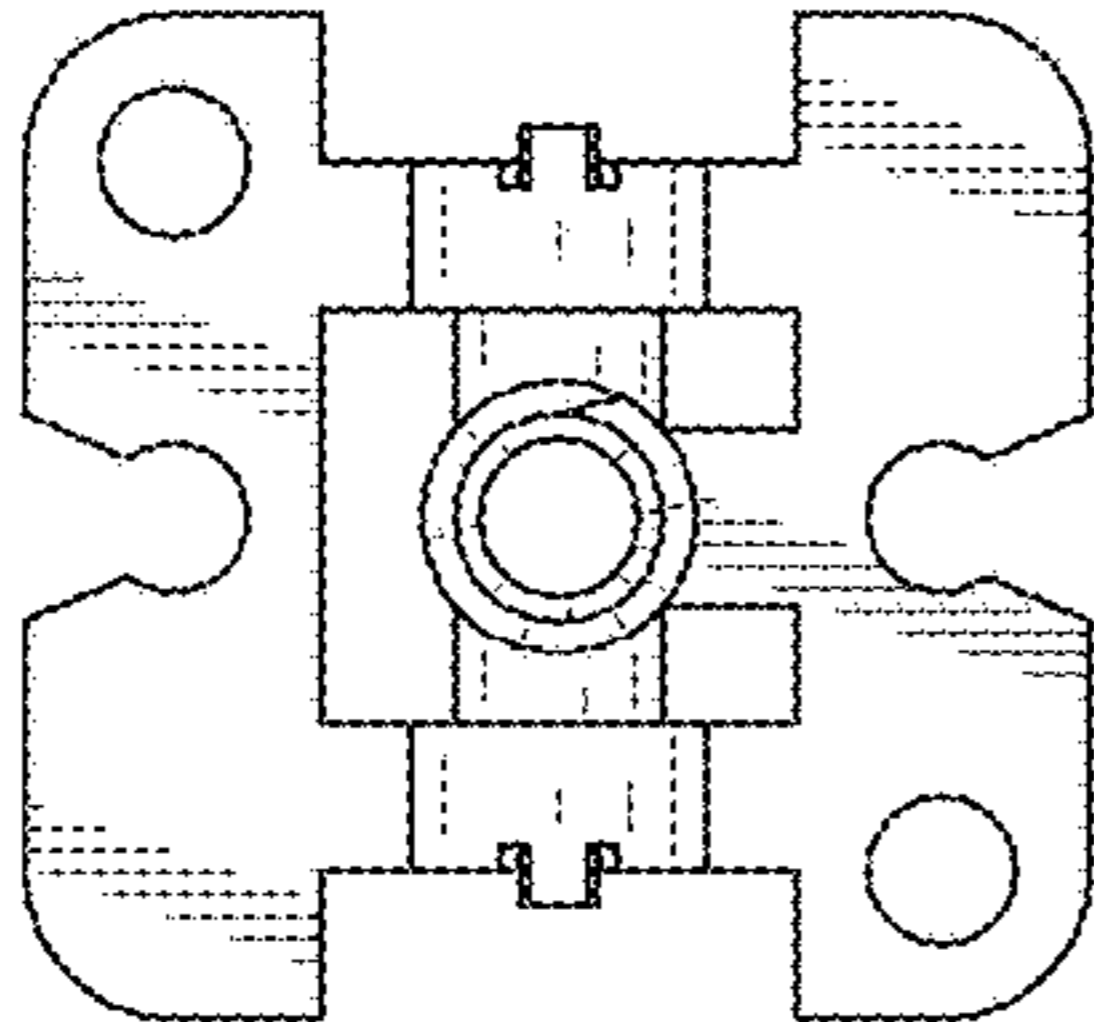


FIG. 2

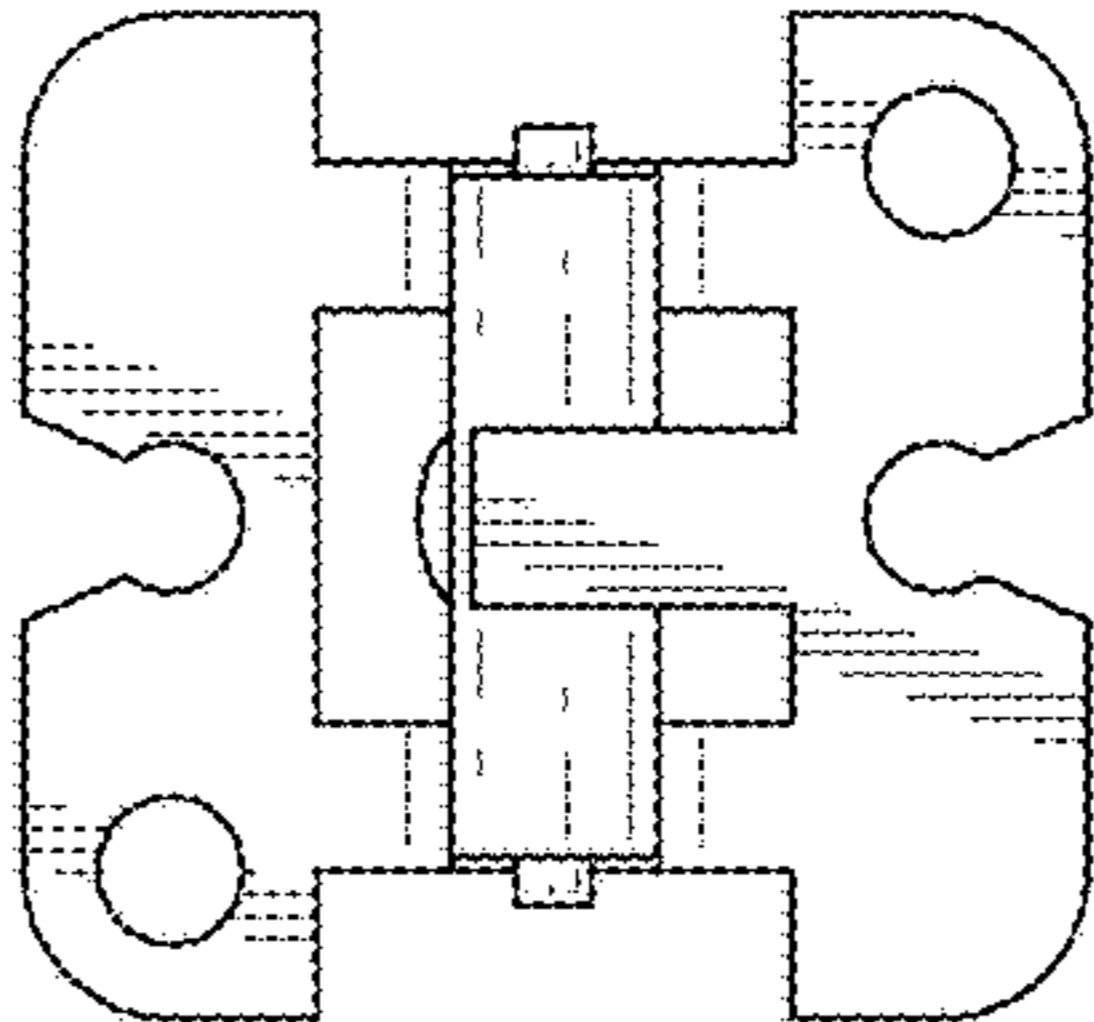


FIG. 3

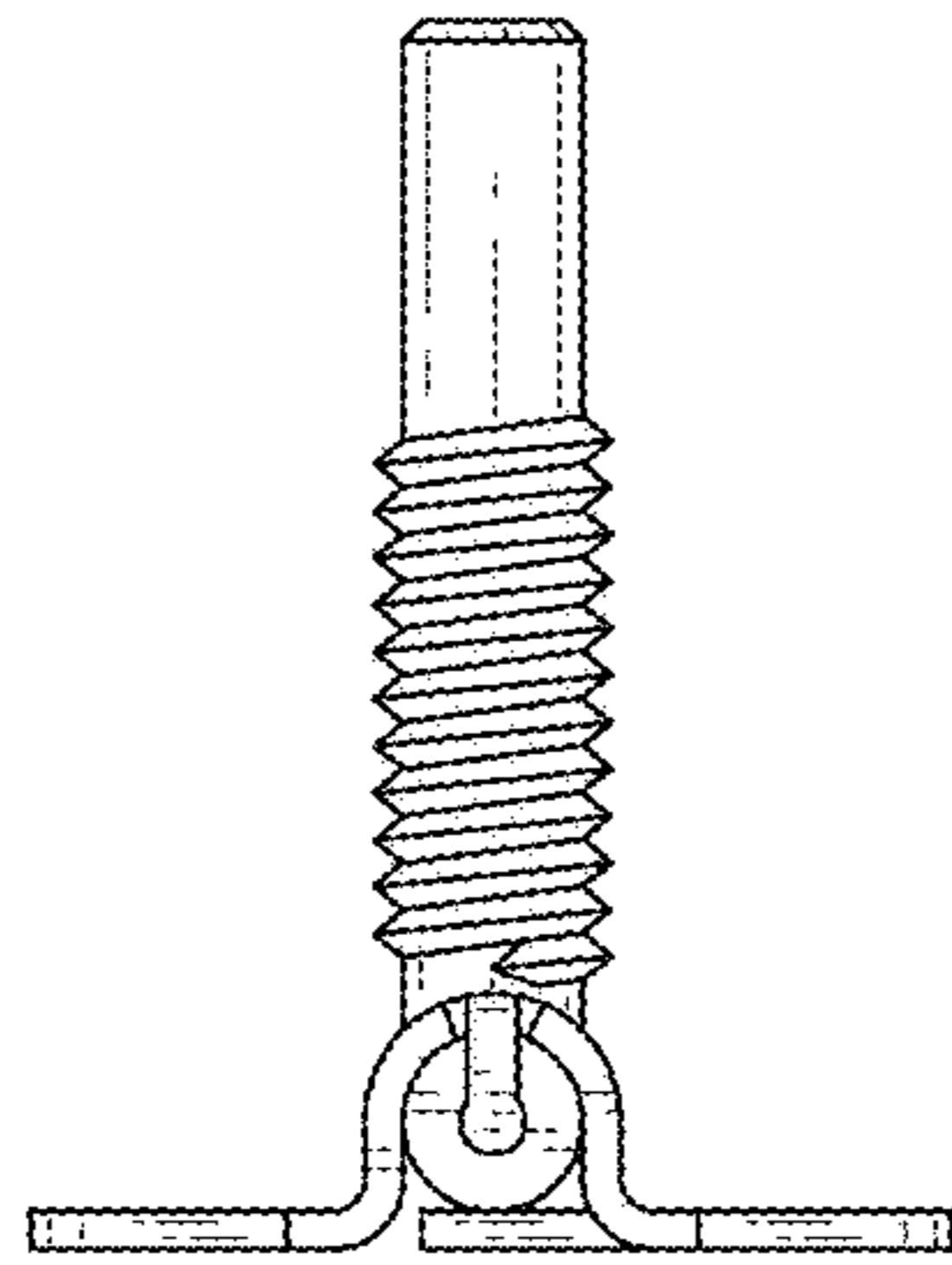


FIG. 4

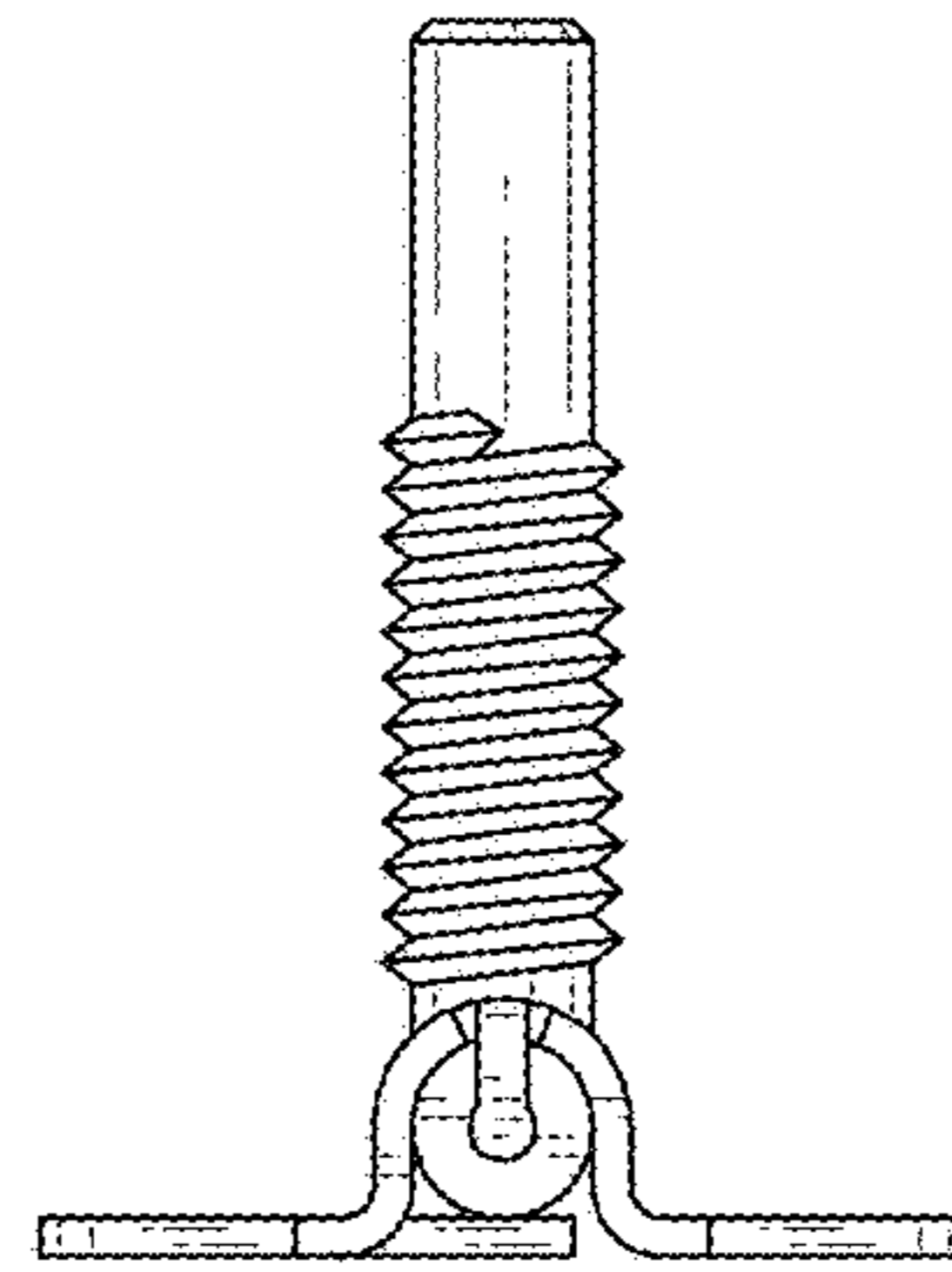


FIG. 5

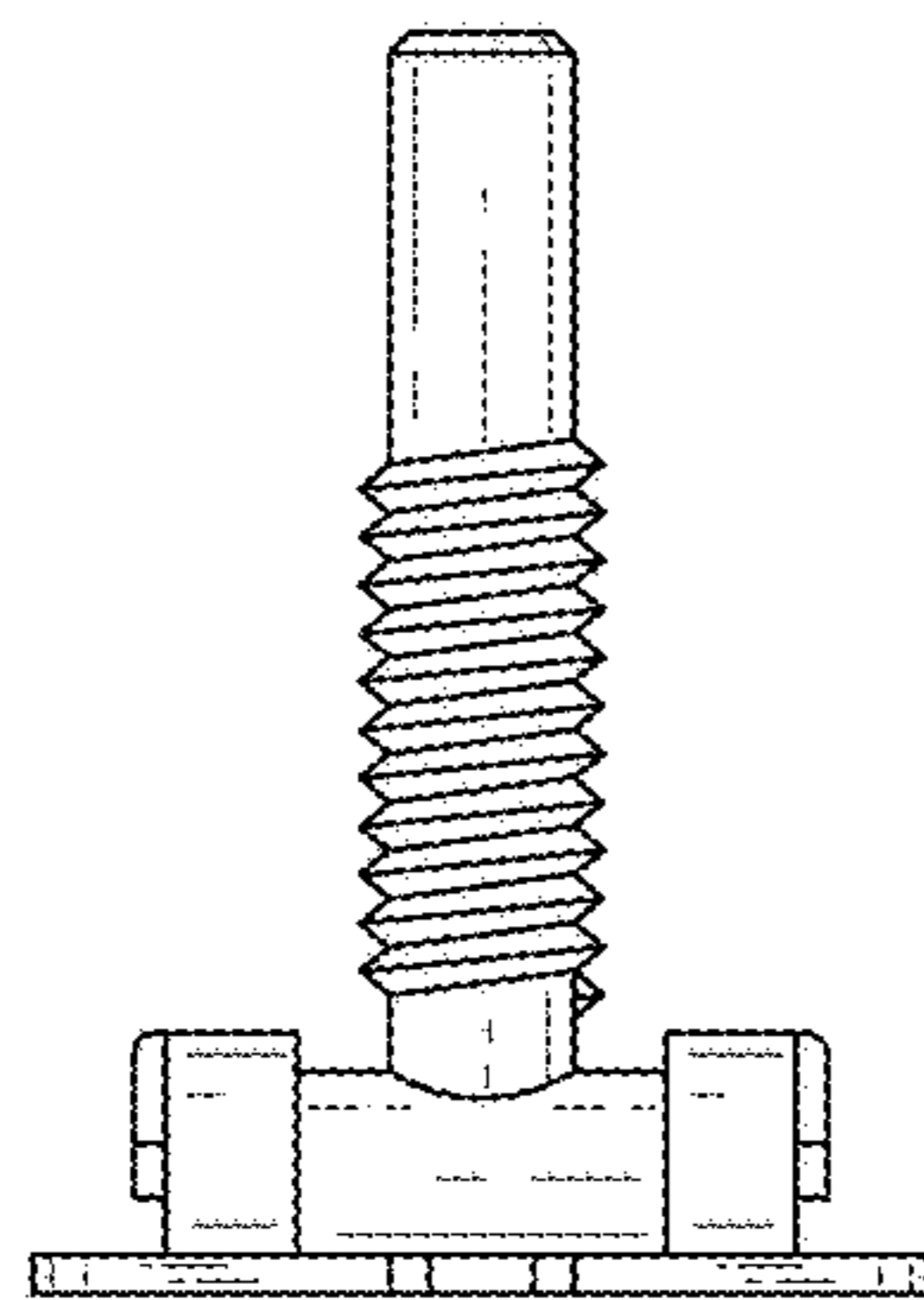


FIG. 6

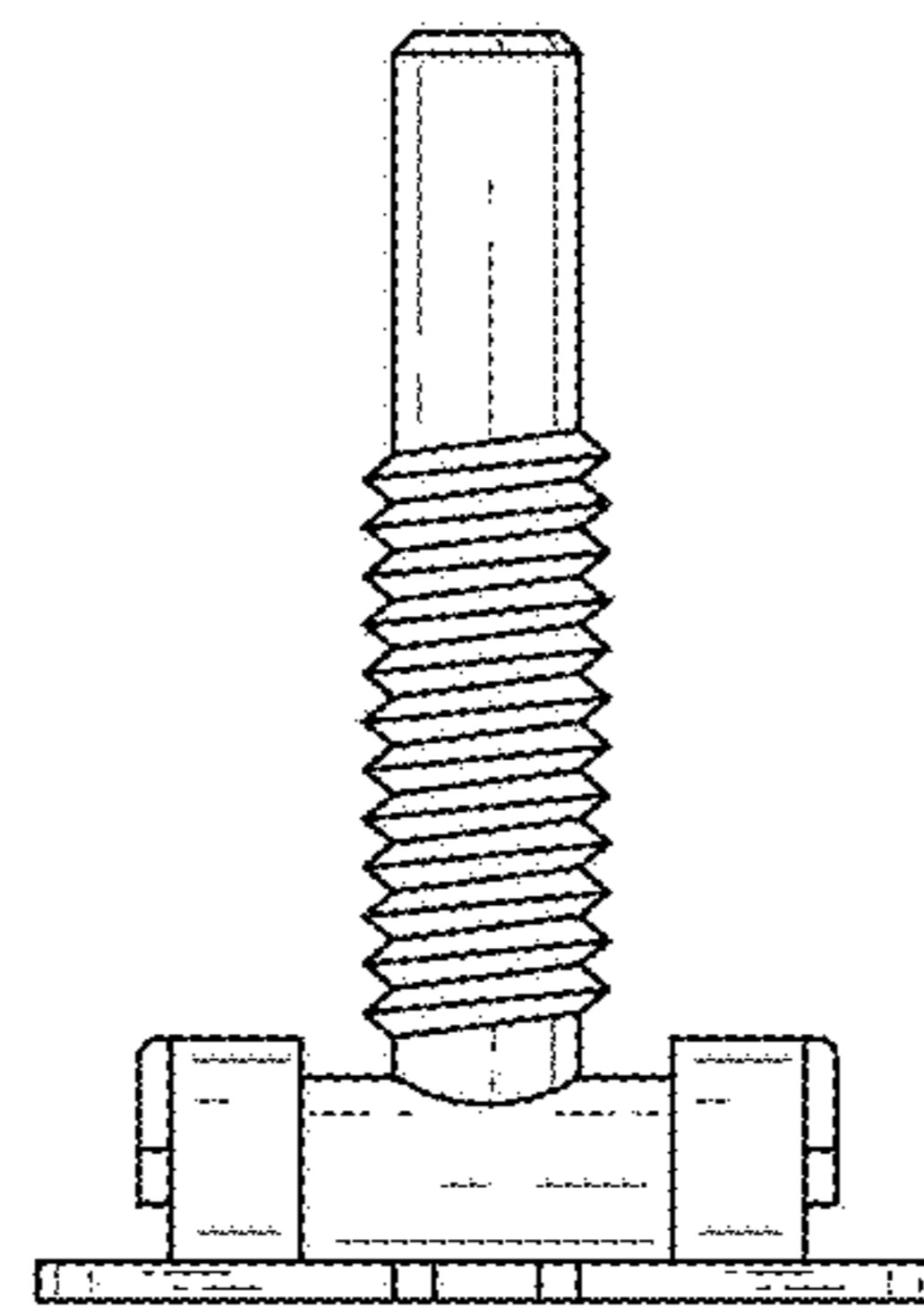


FIG. 7