



US00D854402S

(12) **United States Design Patent** (10) **Patent No.:** **US D854,402 S**  
**Thuma et al.** (45) **Date of Patent:** **\*\* Jul. 23, 2019**

- (54) **WALL MOUNTING HOSE REEL**
- (71) Applicant: **Suncast Technologies, LLC**, Palm Beach Gardens, FL (US)
- (72) Inventors: **Michael Thuma**, La Grange, IL (US); **Torrence Anderson**, Overland Park, KS (US); **Michael R. Vogler**, Oswego, IL (US)
- (73) Assignee: **Suncast Technologies, LLC**, Palm Beach Gardens, FL (US)

D200,723 S *	3/1965	Van Lew	.....	D8/358
D315,492 S *	3/1991	Prihoda	.....	D8/358
D437,545 S *	2/2001	Bohrer	.....	D8/359
D447,405 S *	9/2001	Diener	.....	D8/358
D626,818 S *	11/2010	Tracey	.....	D8/358
D664,026 S *	7/2012	Zalzal	.....	D8/359

\* cited by examiner

*Primary Examiner* — Eliza Z Bennett-Hattan  
 (74) *Attorney, Agent, or Firm* — McHale & Slavin, P.A.

(\*\*) Term: **15 Years**

(21) Appl. No.: **29/559,948**

(57) **CLAIM**

The ornamental design for a wall mounting hose reel, as shown and described.

- (22) Filed: **Apr. 1, 2016**
- (51) **LOC (11) Cl.** ..... **08-05**
- (52) **U.S. Cl.**  
USPC ..... **D8/359**
- (58) **Field of Classification Search**  
USPC ..... D8/74, 347, 373, 375, 380, 381, 396,  
D8/356, 359, 358, 360.1; D6/306, 309,  
D6/677  
CPC . B65H 75/40; B65H 75/4407; B65H 75/4471  
See application file for complete search history.

**DESCRIPTION**

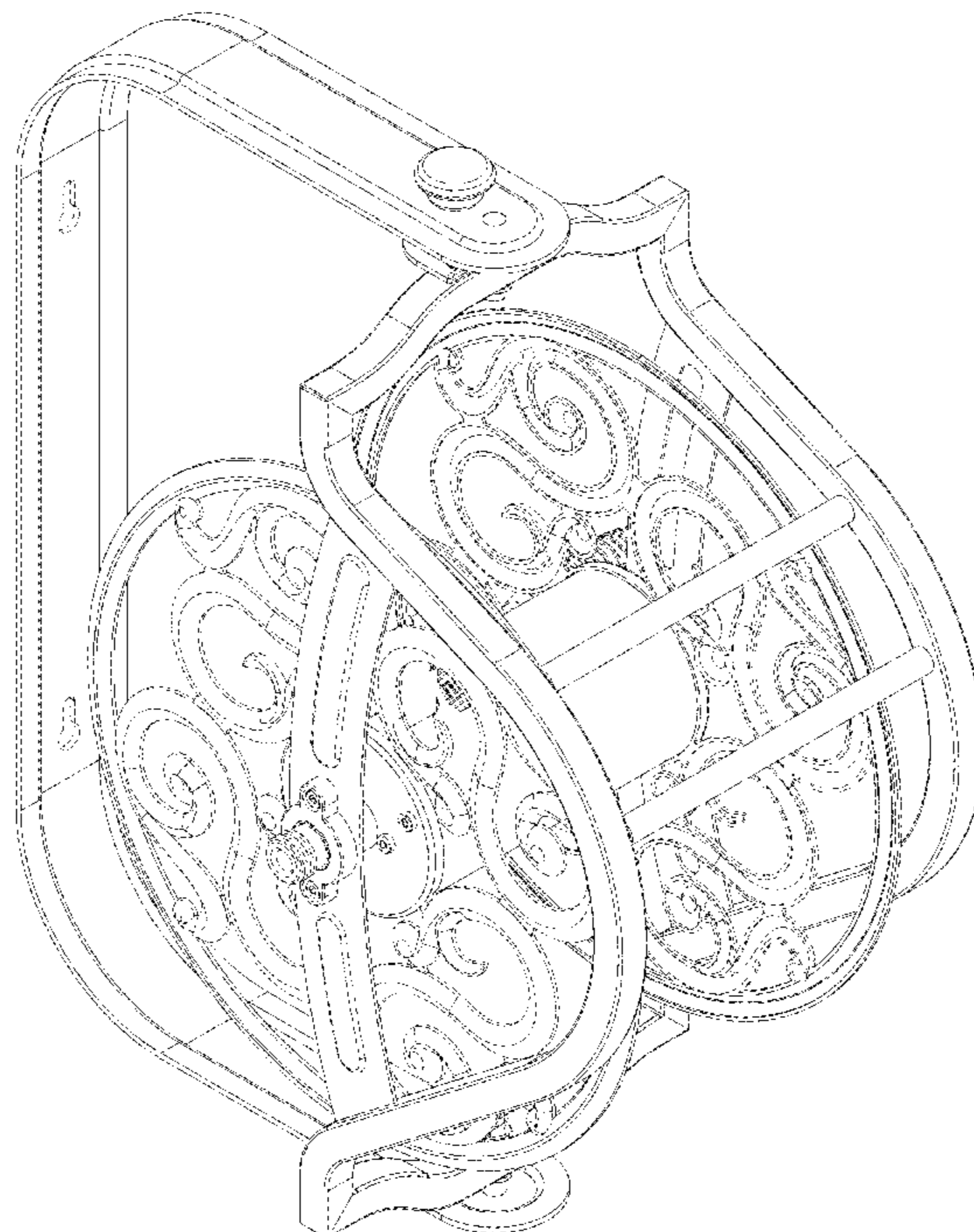
FIG. 1 is a top left perspective view of the wall mounting hose reel of the present invention;  
 FIG. 2 is a left side view thereof;  
 FIG. 3 is a right side view thereof;  
 FIG. 4 is a front view thereof;  
 FIG. 5 is a rear view thereof;  
 FIG. 6 is a top view thereof; and,  
 FIG. 7 is a top right perspective view thereof.  
 The broken lines adjacent the solid lines represent unclaimed boundaries of the claim and the other broken lines represent unclaimed portions of the claimed design.

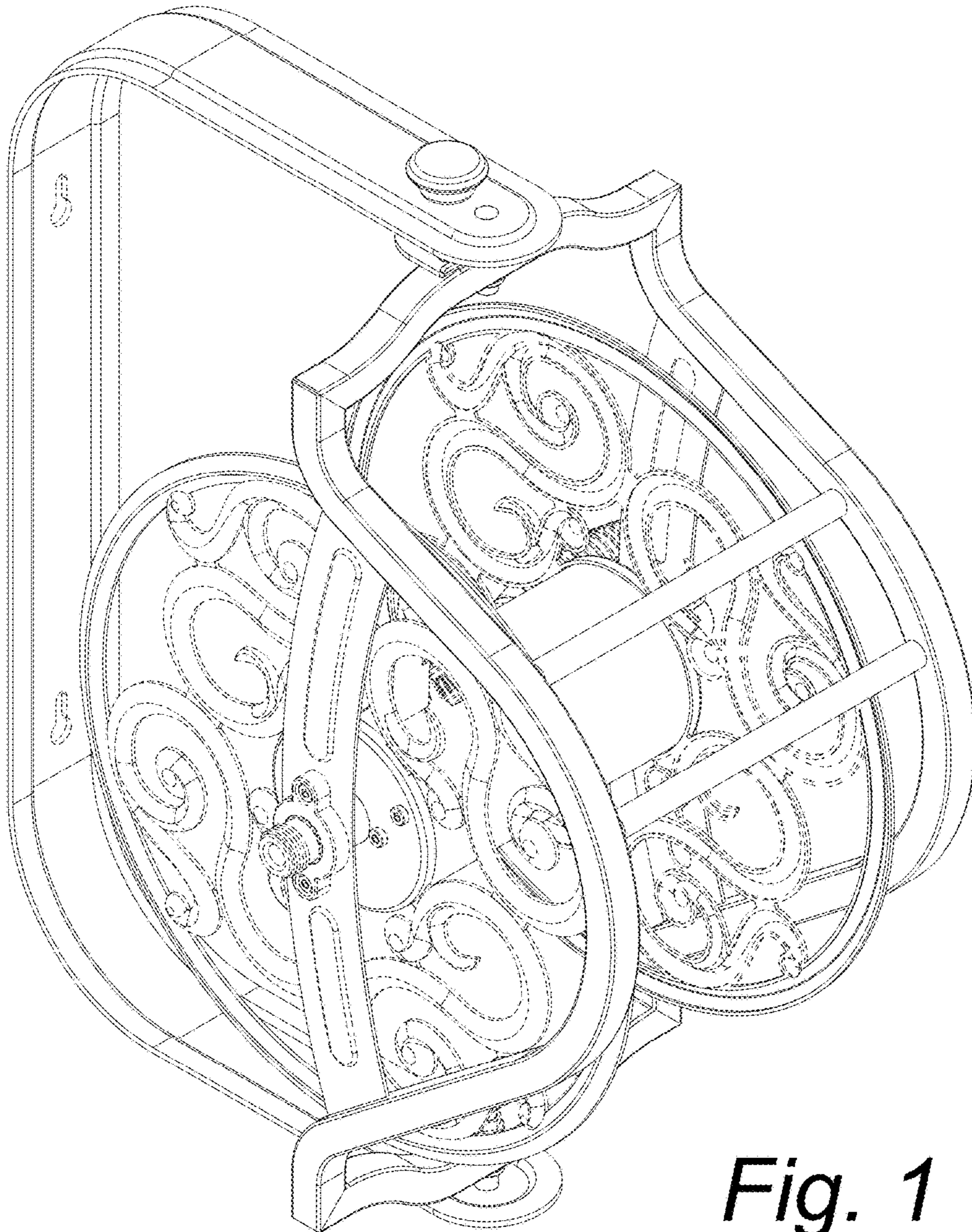
(56) **References Cited**

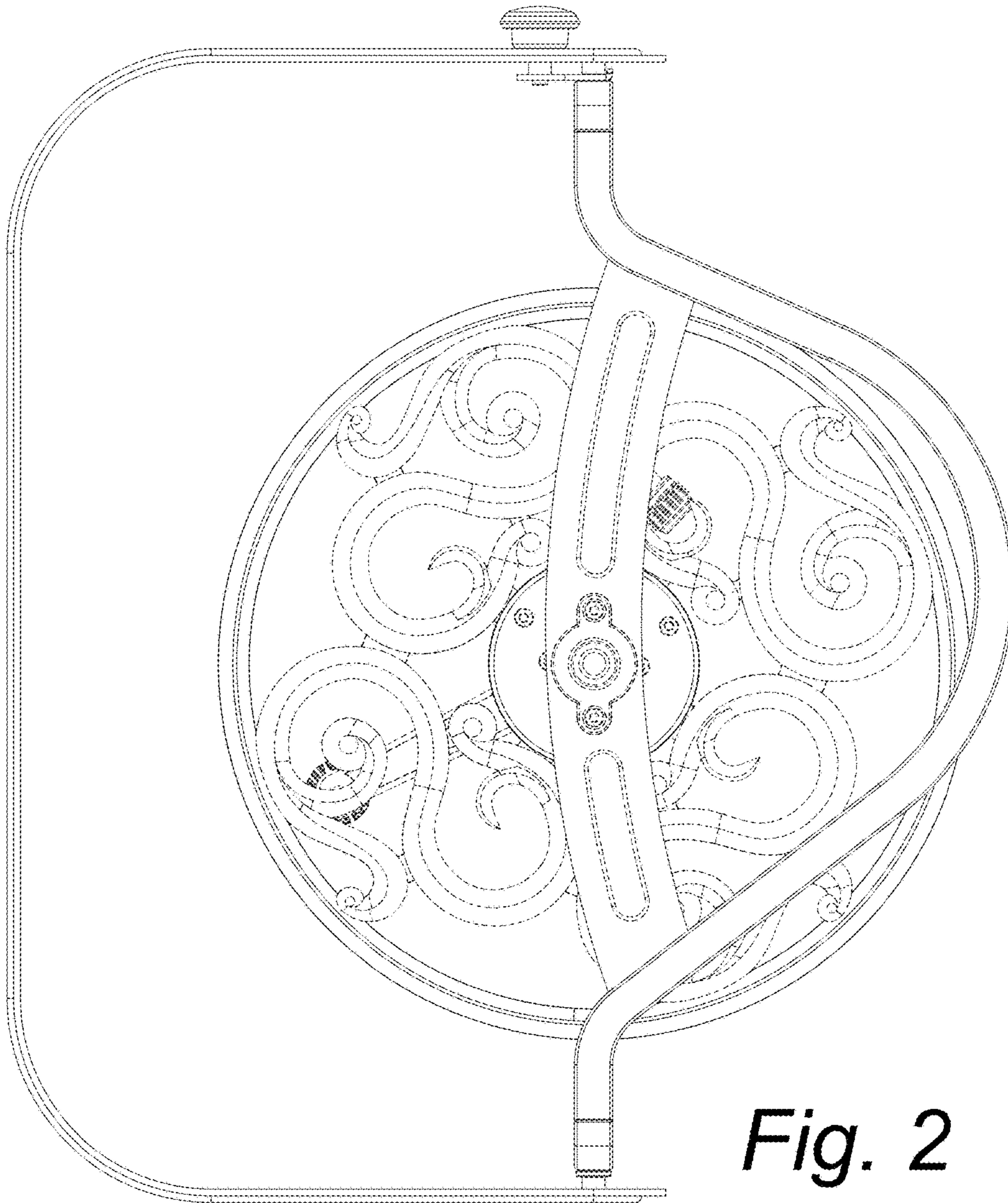
**U.S. PATENT DOCUMENTS**

D32,337 S *	3/1900	Cliff	.....	D8/358
D200,329 S *	2/1965	Busch	.....	D8/358

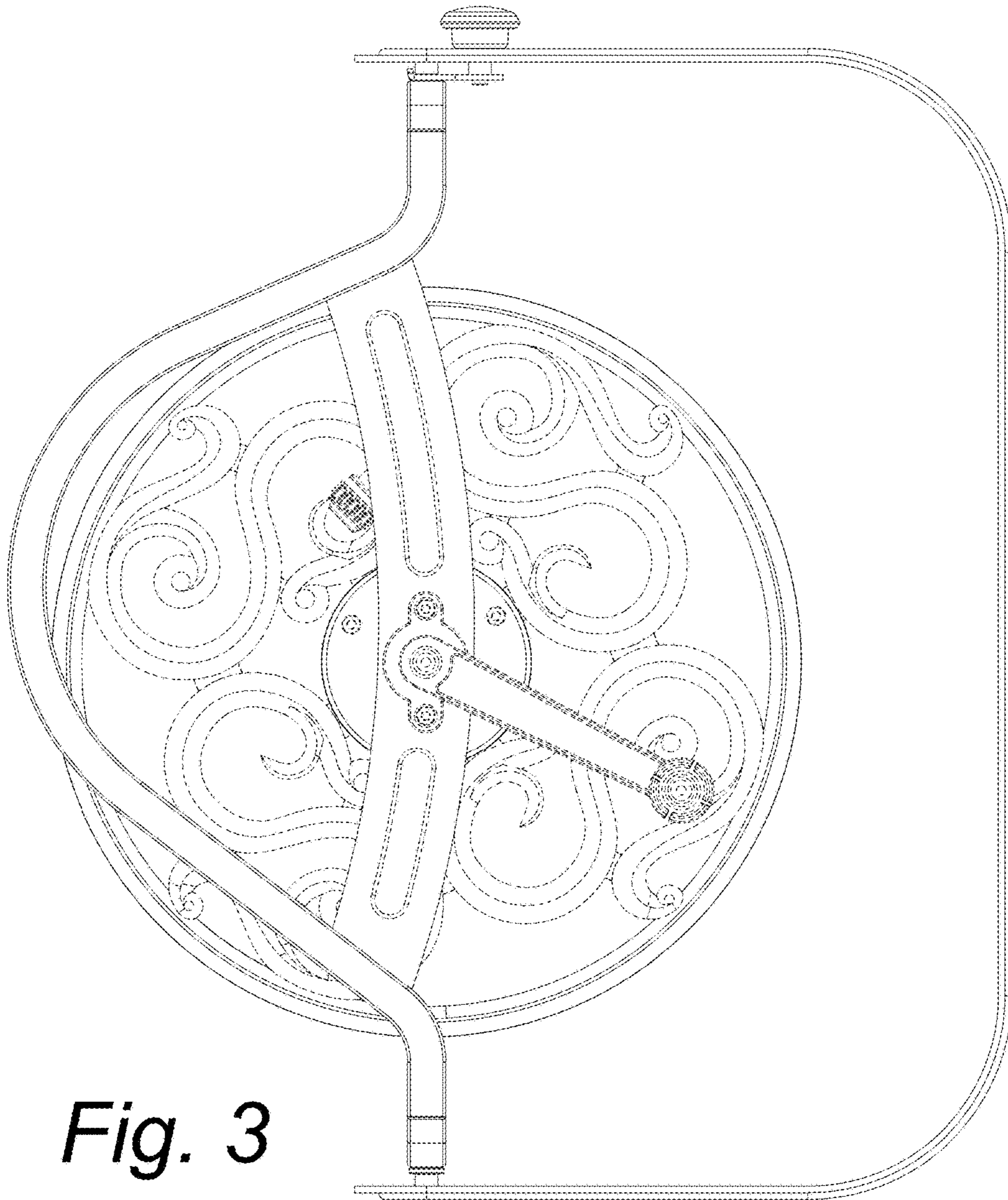
**1 Claim, 7 Drawing Sheets**



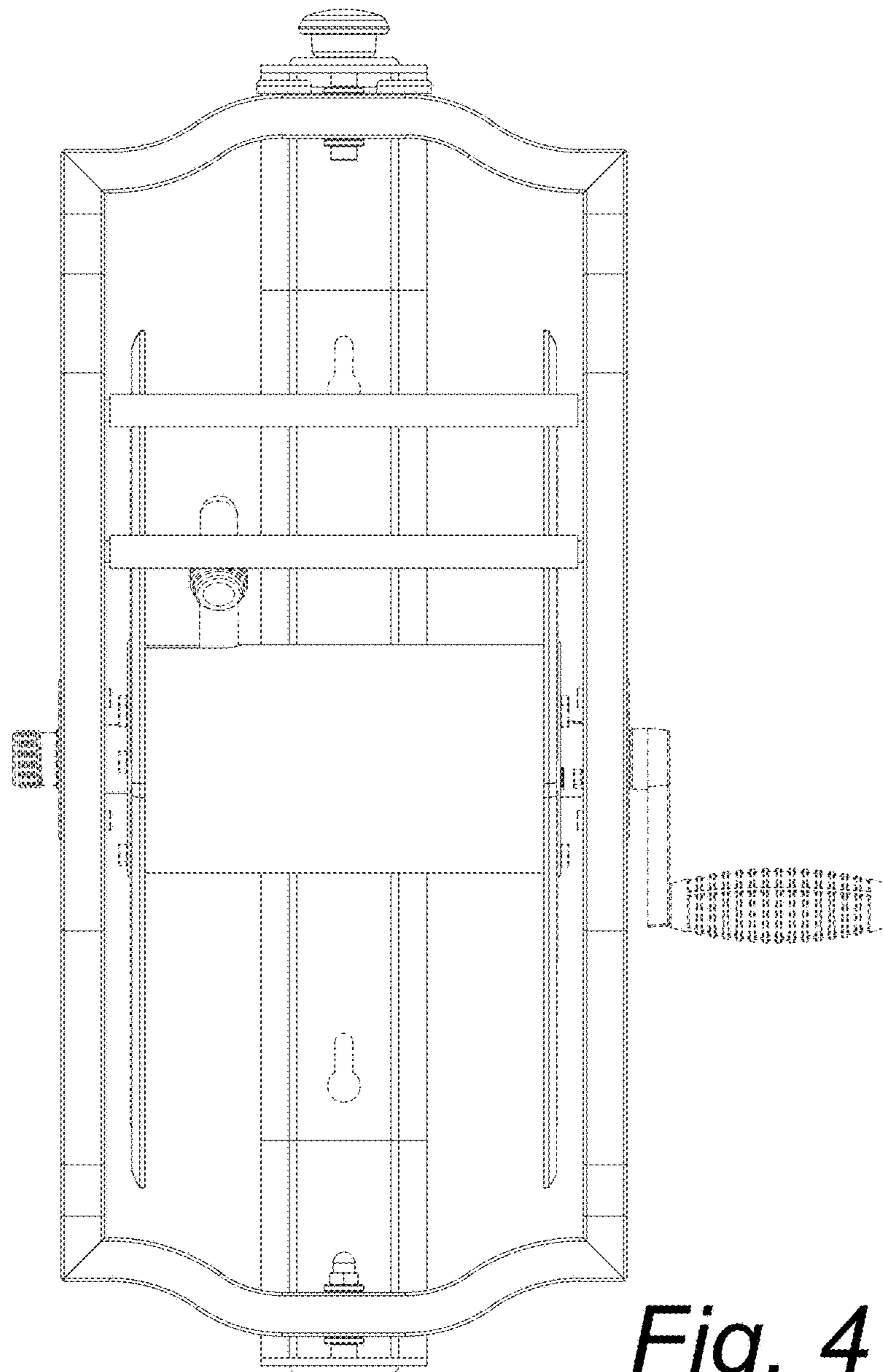


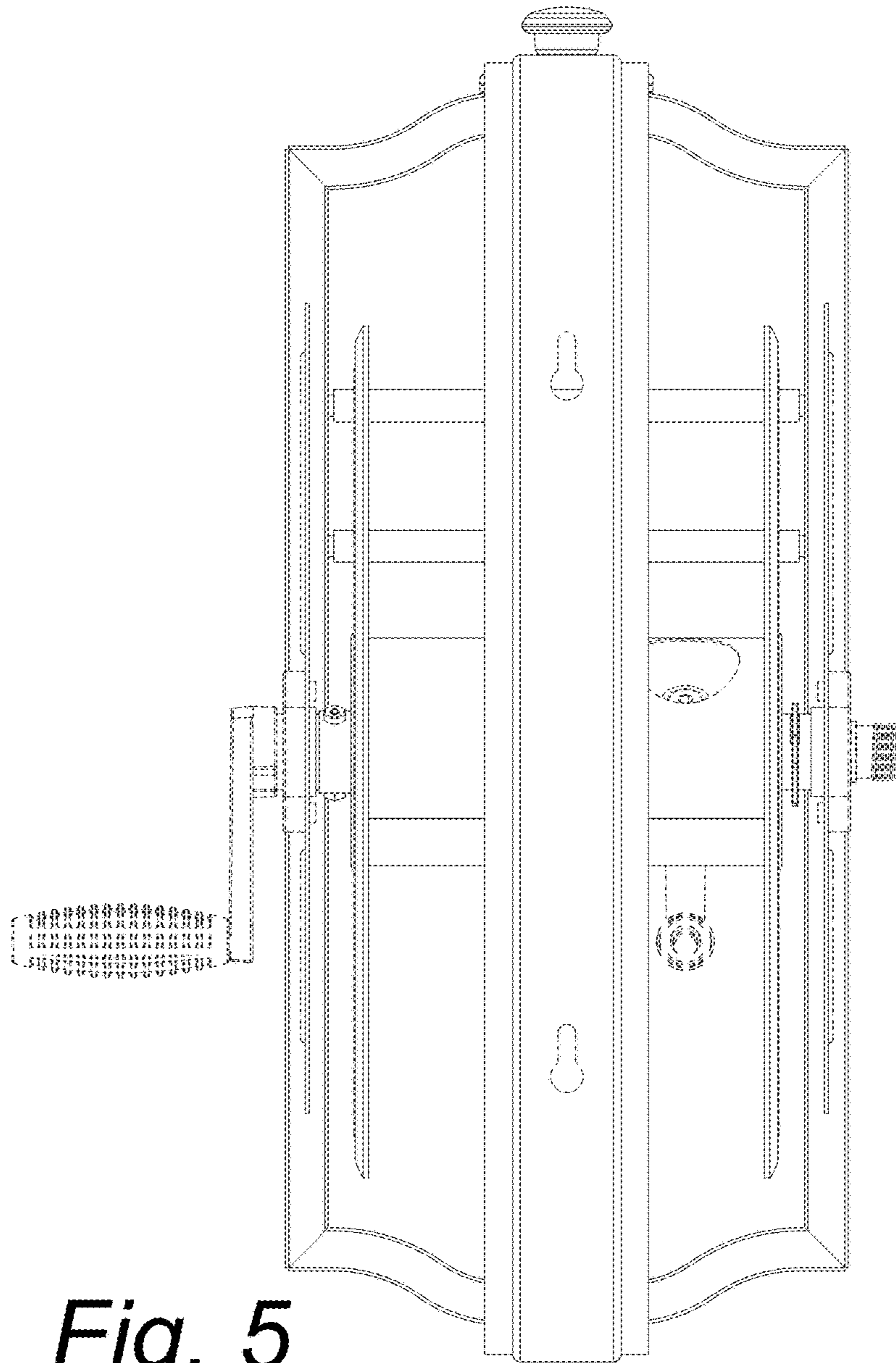


*Fig. 2*

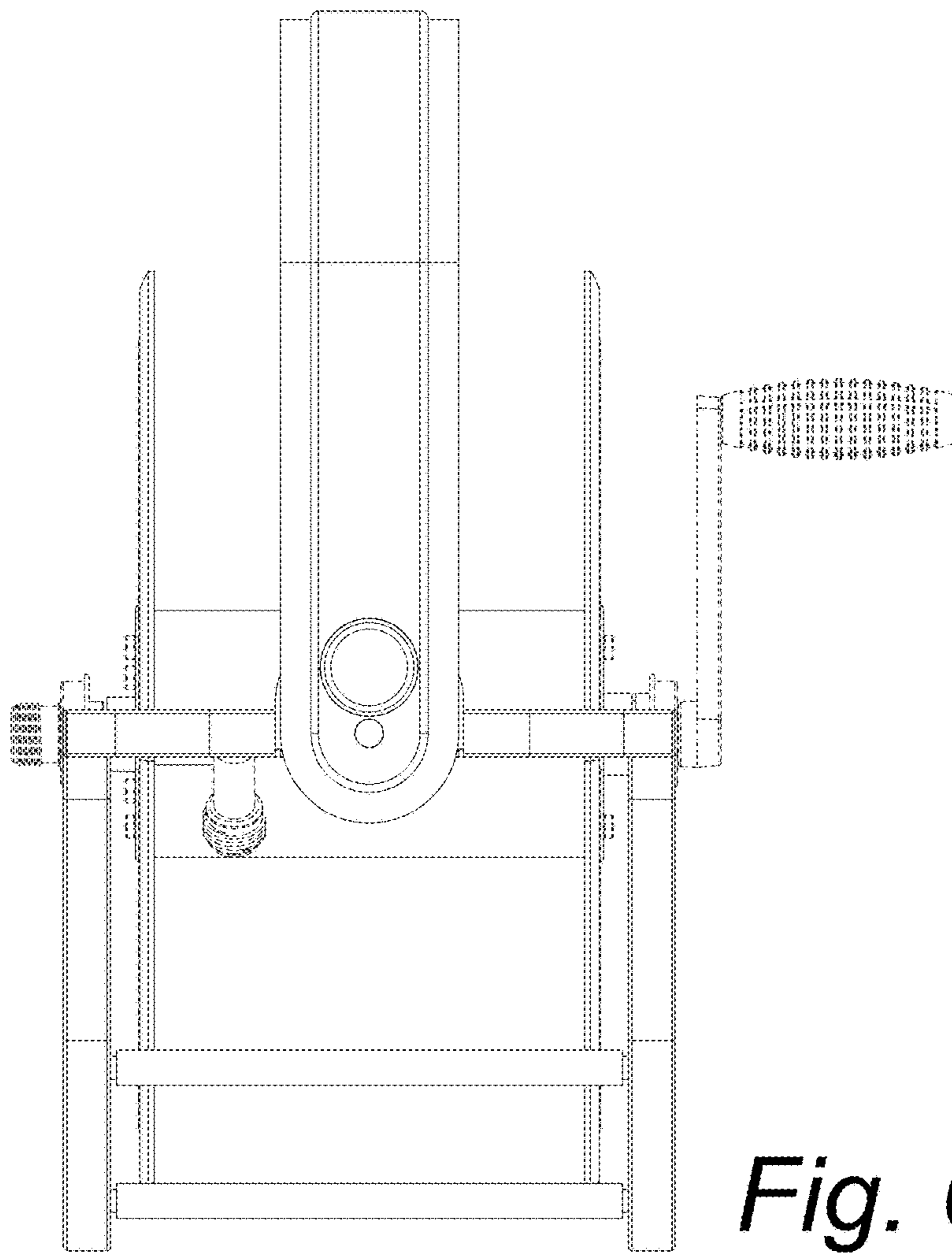


*Fig. 3*

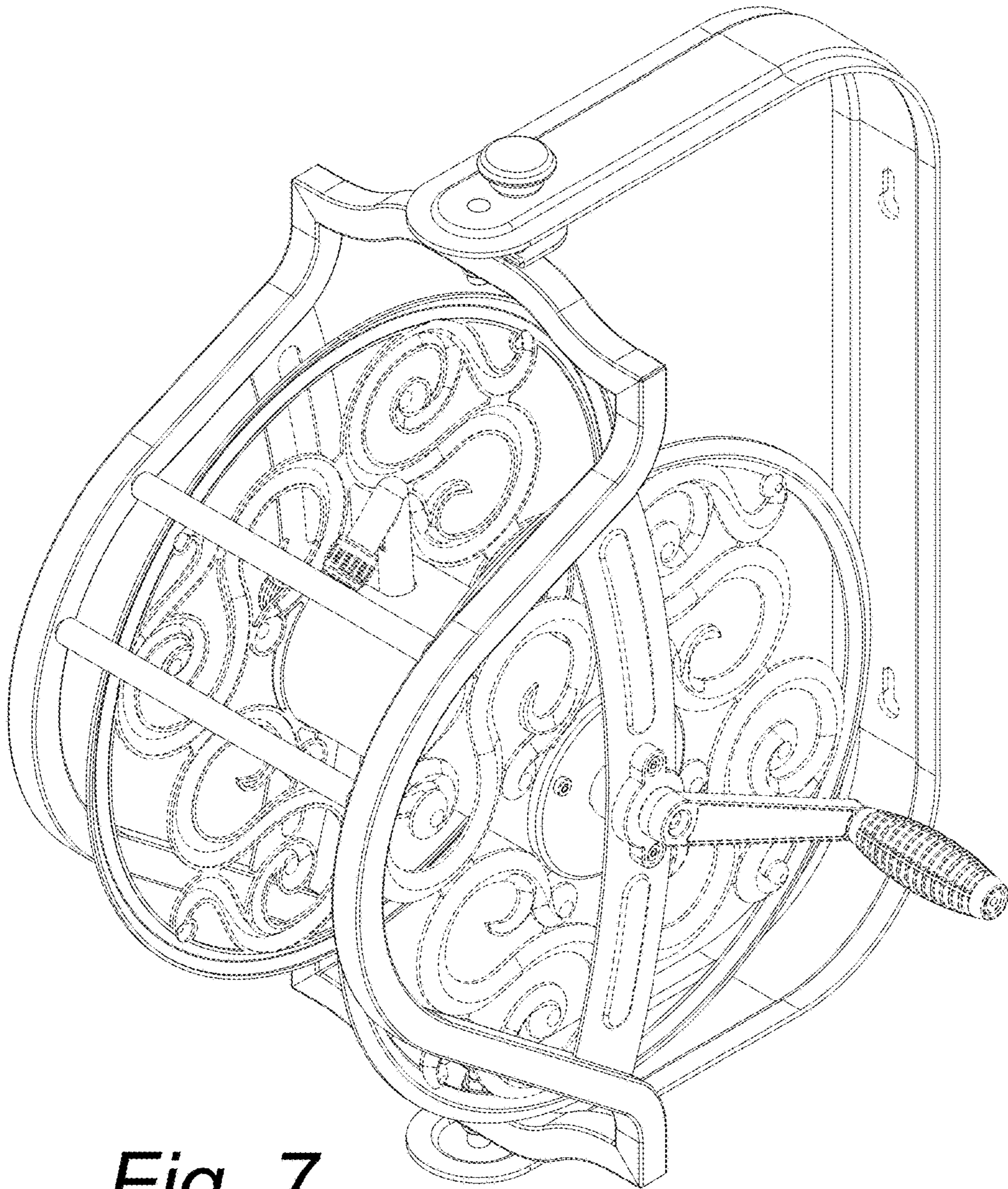




*Fig. 5*



*Fig. 6*



*Fig. 7*