

US00D854400S

(12) **United States Design Patent** (10) **Patent No.:** **US D854,400 S**
Haley et al. (45) **Date of Patent:** **** Jul. 23, 2019**

(54) **Z-SHAPED GIRT**
(71) Applicants: **Robert Haley**, Mattapoisett, MA (US);
Jonathan Shaw, Fairhaven, MA (US)
(72) Inventors: **Robert Haley**, Mattapoisett, MA (US);
Jonathan Shaw, Fairhaven, MA (US)
(**) Term: **15 Years**
(21) Appl. No.: **29/590,337**
(22) Filed: **Jan. 9, 2017**

D538,211 S * 3/2007 Panepento D12/181
D571,640 S * 6/2008 Misch D8/354
D636,928 S * 4/2011 Lin D26/138
D640,112 S * 6/2011 Smith D8/71
8,661,754 B2 * 3/2014 Hsu E04B 5/40
52/289
D765,492 S * 9/2016 Akers D8/354
D794,425 S * 8/2017 Thompson D8/354
9,725,903 B2 * 8/2017 Hostetler E04D 3/3601
D809,674 S * 2/2018 Singh D25/119
D814,056 S * 3/2018 Singh D25/119
D814,057 S * 3/2018 Singh D25/119
9,988,813 B2 * 6/2018 Tallarida E04B 1/165
2009/0094926 A1 * 4/2009 Richmond E04D 3/3608
52/550
2015/0082725 A1 * 3/2015 Beals E04B 1/665
52/410
2017/0159293 A1 * 6/2017 Haley E04C 3/28

Related U.S. Application Data

(63) Continuation-in-part of application No. 15/369,808,
filed on Dec. 5, 2016.
(51) **LOC (11) Cl.** **08-05**
(52) **U.S. Cl.**
USPC **D8/354**
(58) **Field of Classification Search**
USPC D8/354, 353, 371, 349, 16, 88, 89
CPC F24F 13/32; F24F 13/20; F24F 1/60; F24F
2221/16; Y10T 29/53; F25B 2339/041;
B25B 5/00; B25B 5/006; F16B 2/00
See application file for complete search history.

* cited by examiner

Primary Examiner — Lakiya G Rogers
Assistant Examiner — Harold E Blackwell, II
(74) *Attorney, Agent, or Firm* — Daniel N. Smith

(57) **CLAIM**

The ornamental design for a z-shaped girt, as shown and described.

DESCRIPTION

FIG. 1 is a top perspective view of a z-shaped girt;
FIG. 2 is a left side view thereof;
FIG. 3 is a right side view thereof;
FIG. 4 is a front view thereof;
FIG. 5 is a rear view thereof;
FIG. 6 is a bottom view thereof; and,
FIG. 7 is a top view thereof.

(56) **References Cited**

U.S. PATENT DOCUMENTS

D391,915 S * 3/1998 Miller D12/223
D399,863 S * 10/1998 LaCicero D16/242
D409,077 S * 5/1999 Brooks D8/354
6,367,219 B1 * 4/2002 Quinlan E04D 3/3602
52/404.2
D506,118 S * 6/2005 Rau D8/89

1 Claim, 7 Drawing Sheets

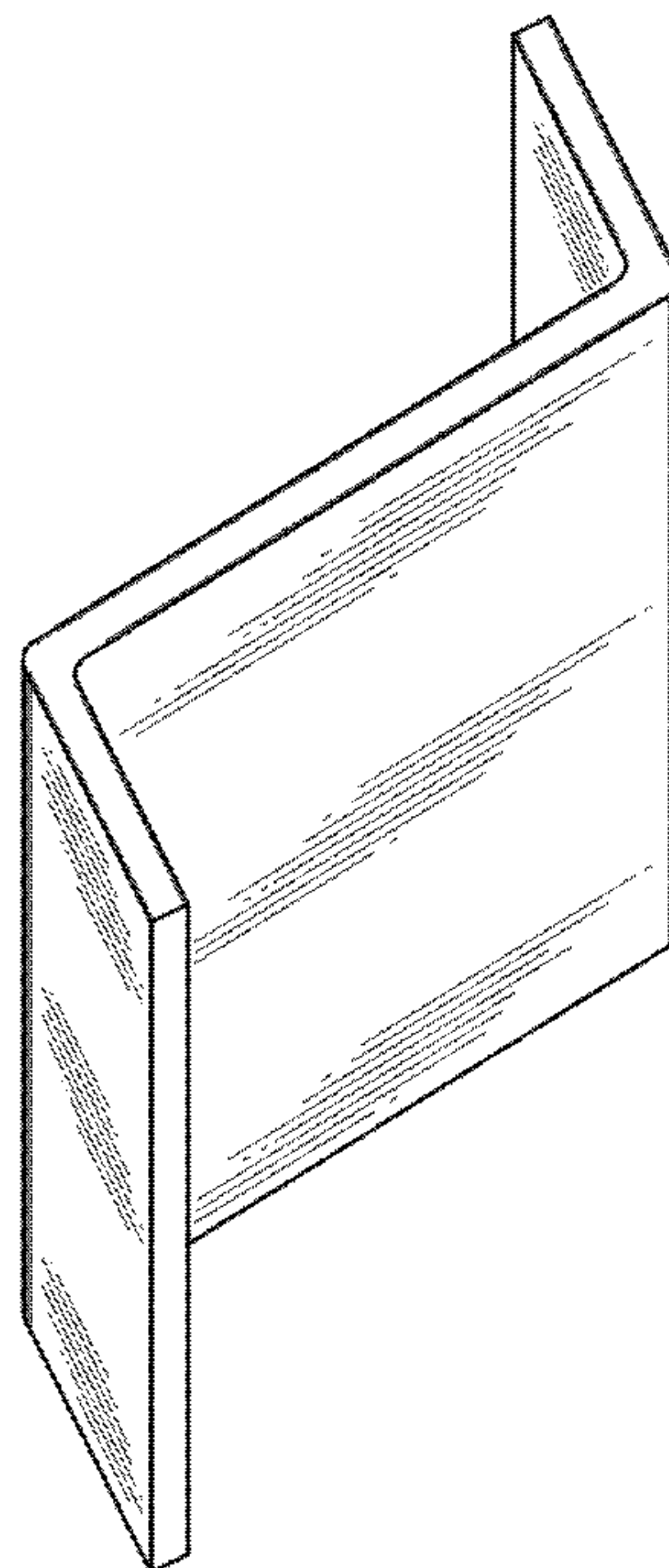


FIG. 1

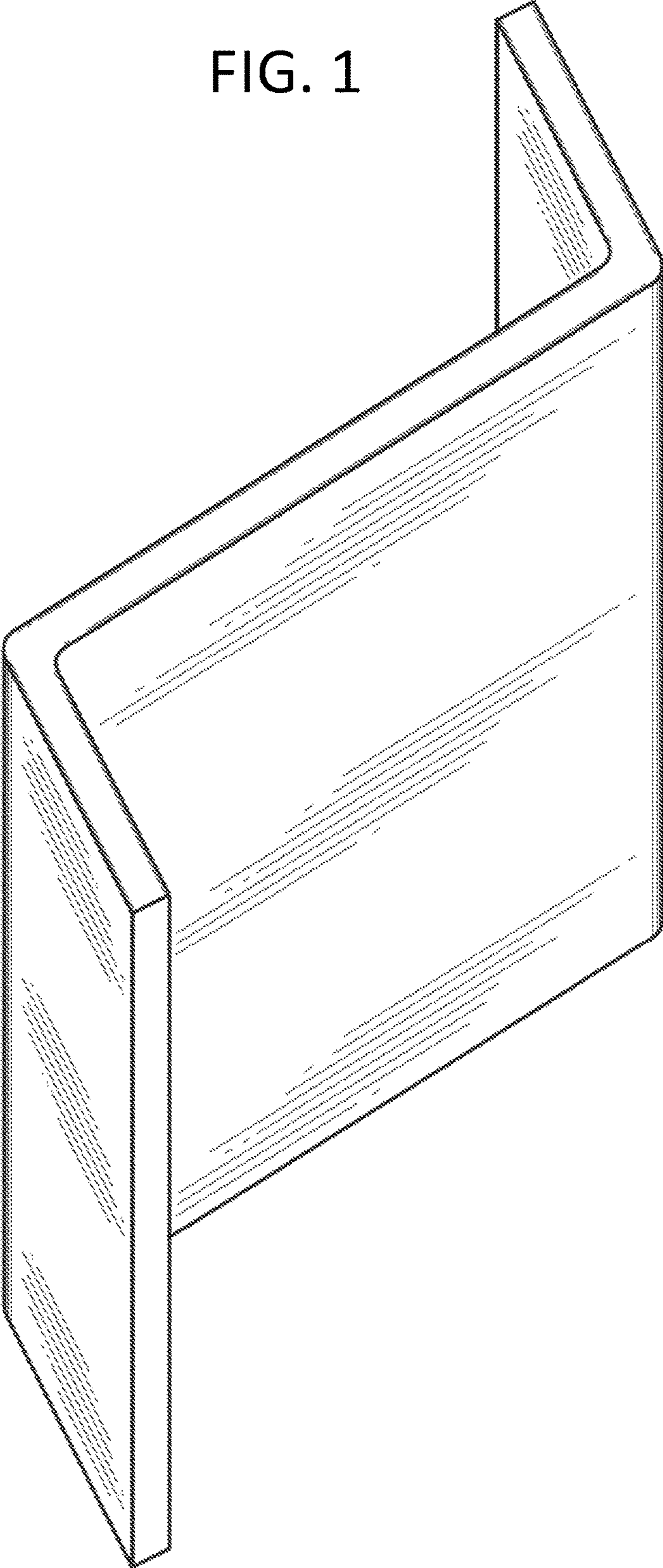


FIG. 2

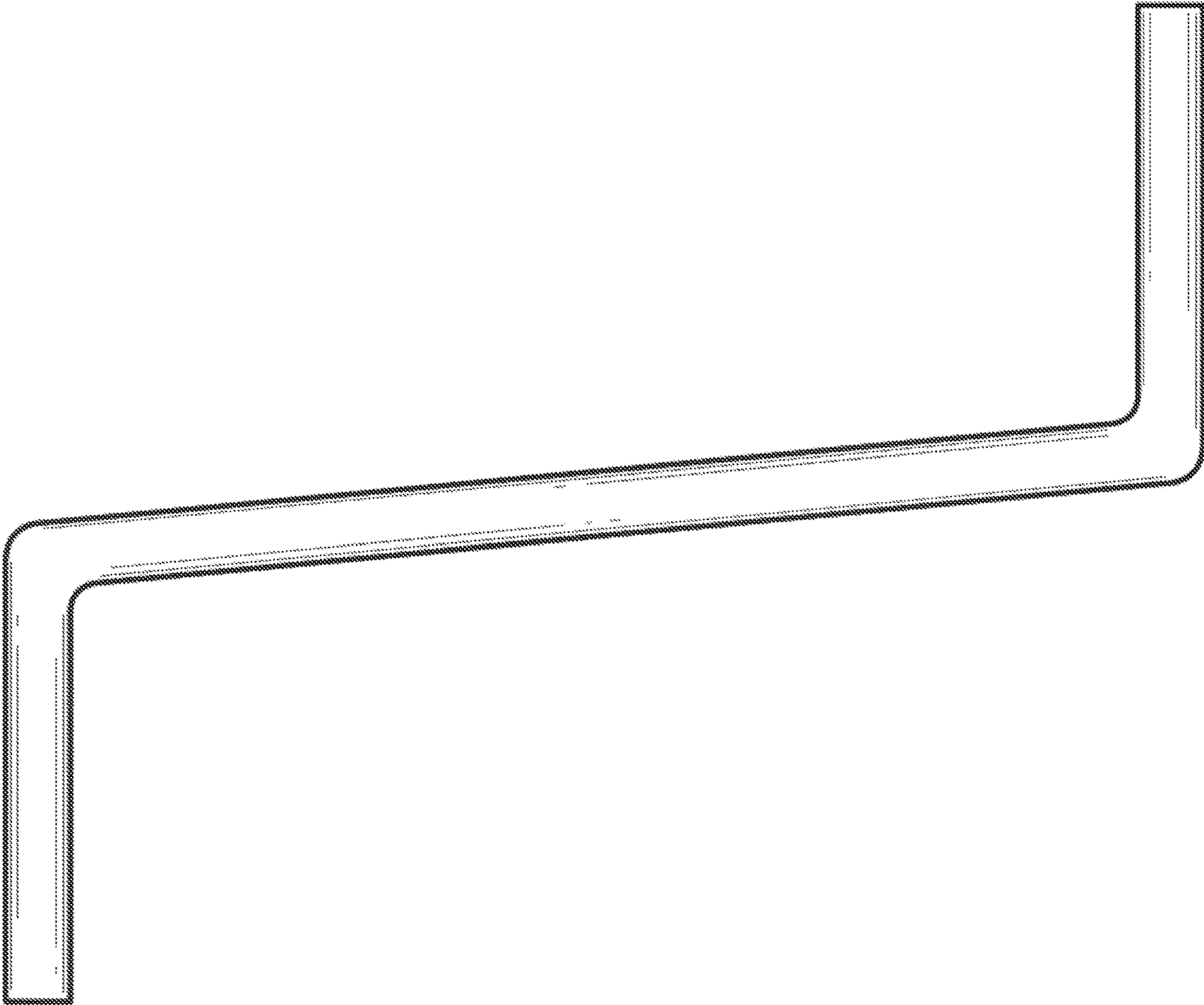


FIG. 3

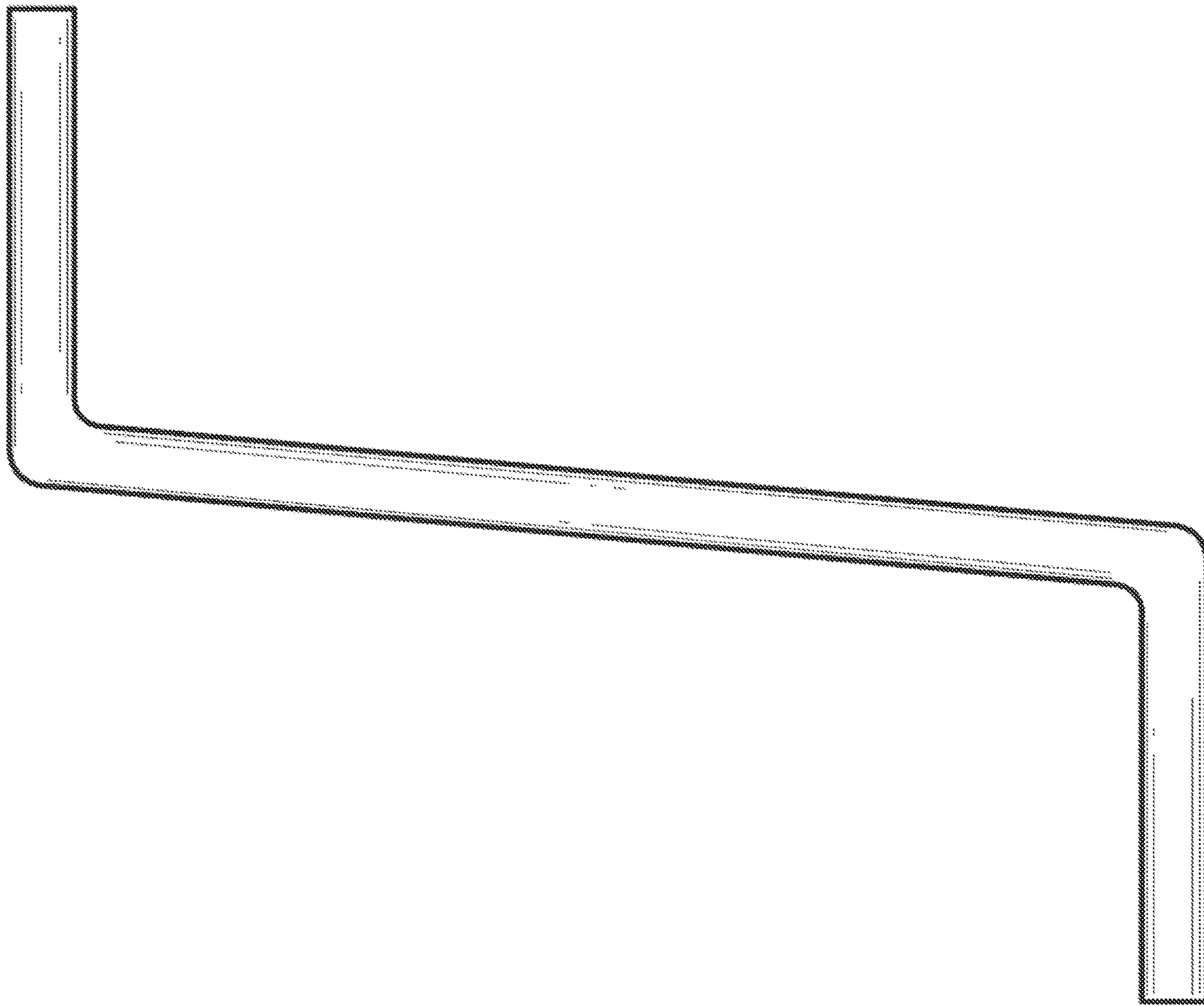


FIG. 4

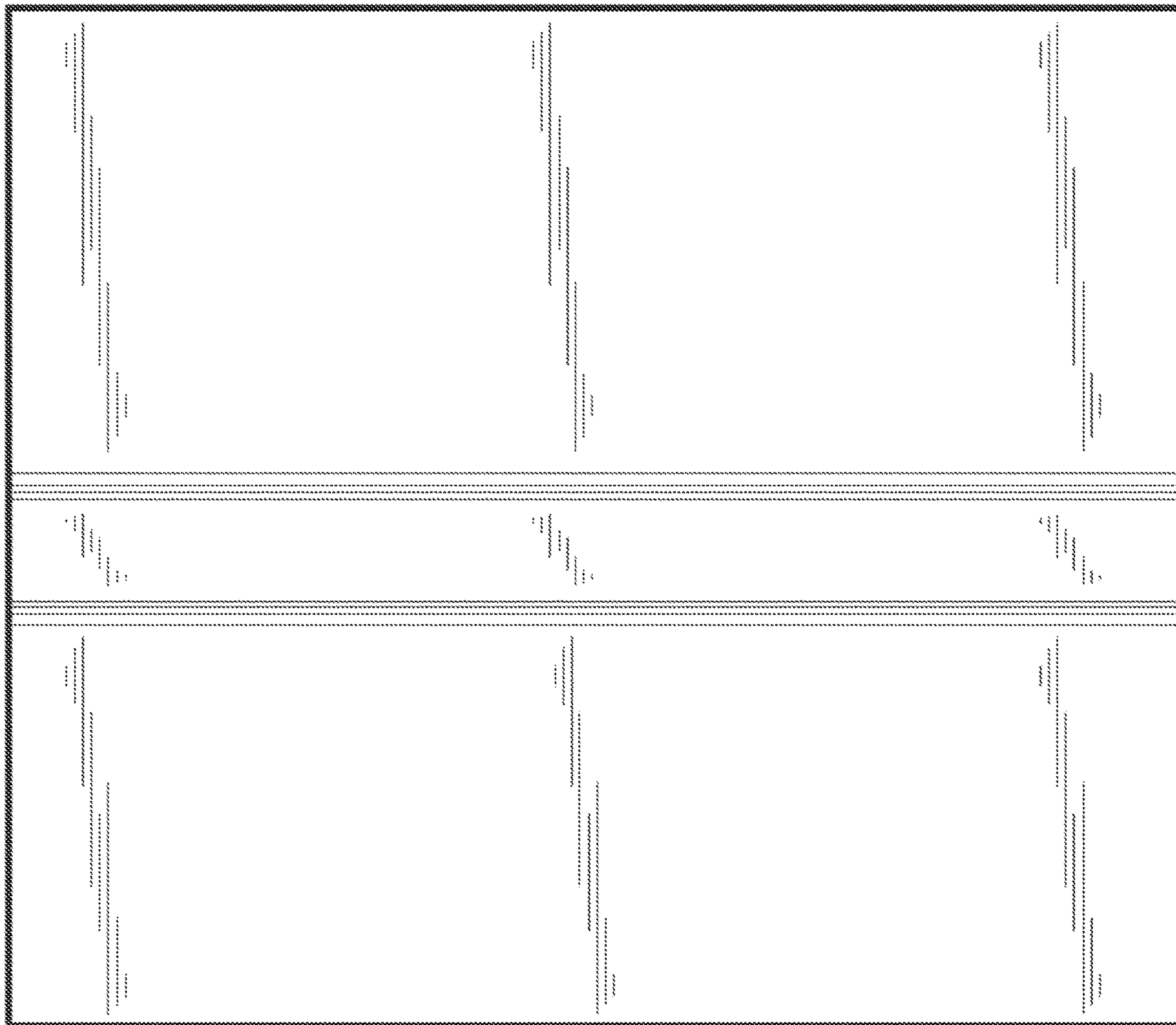


FIG. 5

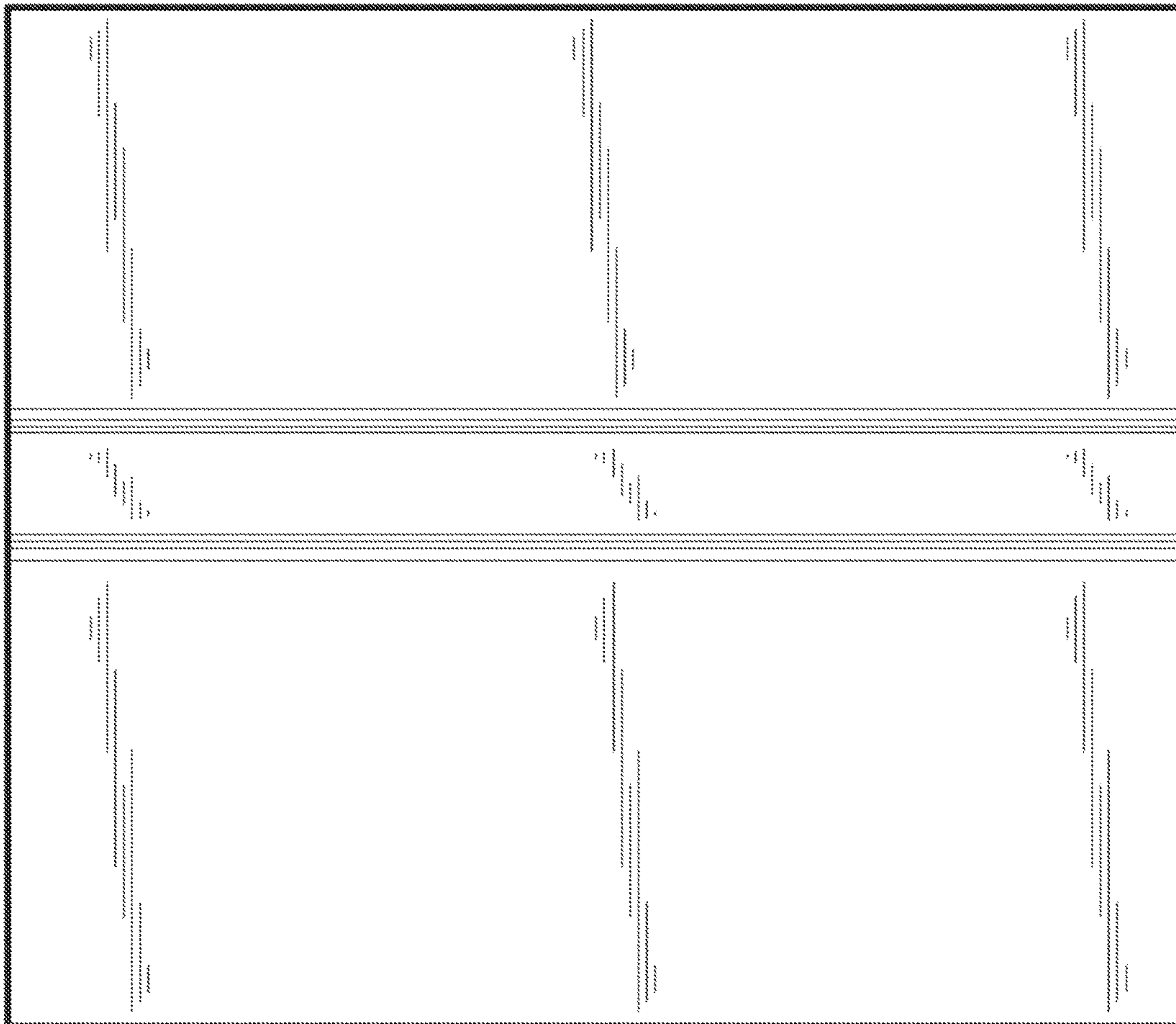


FIG. 6



FIG. 7

